



US00D748317S

(12) **United States Design Patent**
Hiller

(10) **Patent No.:** **US D748,317 S**
(45) **Date of Patent:** **** Jan. 26, 2016**

(54) **LIGHT FIXTURE**

(71) Applicant: **Kason Industries, Inc.**, Newnan, GA
(US)

(72) Inventor: **Raymond J Hiller**, Newnan, GA (US)

(73) Assignee: **Kason Industries, Inc.**, Newnan, GA
(US)

(**) Term: **14 Years**

(21) Appl. No.: **29/525,242**

(22) Filed: **Apr. 28, 2015**

Related U.S. Application Data

(63) Continuation-in-part of application No. 29/507,908,
filed on Oct. 31, 2014, now Pat. No. Des. 728,151.

(51) **LOC (10) Cl.** **26-03**

(52) **U.S. Cl.**
USPC **D26/89**

(58) **Field of Classification Search**

USPC D26/72, 85, 89, 118, 120
CPC F21S 8/03; F21S 8/033; F21S 8/04;
F21V 3/04; F21V 3/0418; F21V 3/0427;
F21V 3/0436; F21V 3/0445; F21V 21/02;
F21V 21/03; F21V 29/506; F21V 3/049;
F21V 5/045; F21V 7/04; F21V 11/06; F21W
2131/305

See application file for complete search history.

(56) **References Cited**

U.S. PATENT DOCUMENTS

D91,888 S * 4/1934 Kremer D26/128
D96,270 S * 7/1935 Miller D26/128

D110,164 S * 6/1938 Arenberg D26/24
D110,165 S * 6/1938 Arenberg D26/76
D158,917 S * 6/1950 Wince D26/85
D180,531 S * 6/1957 Stevens D26/128
3,038,062 A * 6/1962 Liberman F21S 8/04
362/229
D312,842 S * 12/1990 Younger D20/42
D336,863 S * 6/1993 MacKenzie D10/114.1
D357,997 S * 5/1995 Wegrzyn D26/72
D516,236 S * 2/2006 Yeh D26/89
D537,186 S * 2/2007 Weddell D26/80
D616,593 S * 5/2010 Jean D26/85
D696,809 S * 12/2013 Zhang D26/72
D728,147 S * 4/2015 Grewe D26/89
D728,149 S * 4/2015 Hiller D26/89
D728,150 S * 4/2015 Hiller D26/89
D728,151 S * 4/2015 Hiller D26/89

* cited by examiner

Primary Examiner — Clare E Heflin

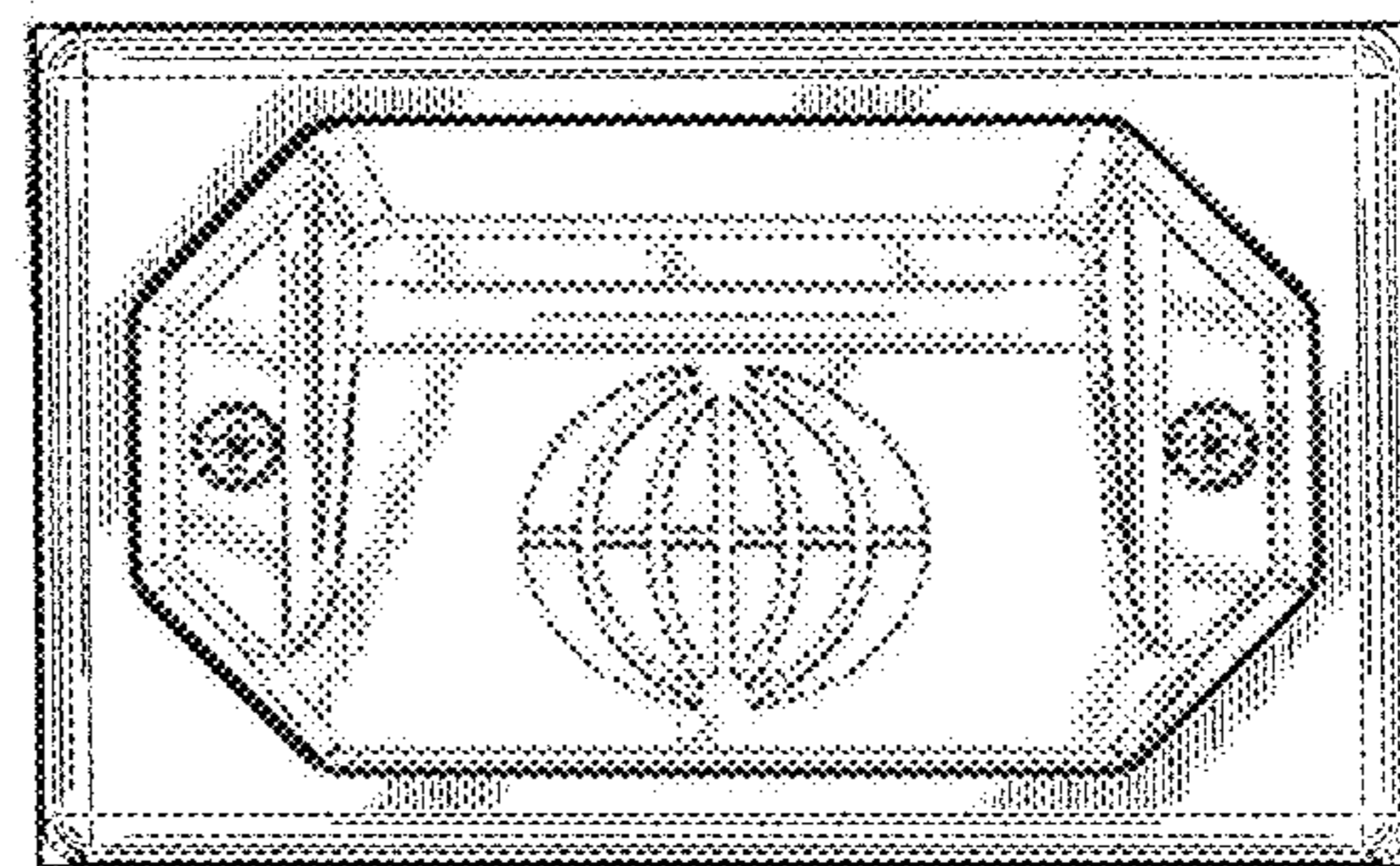
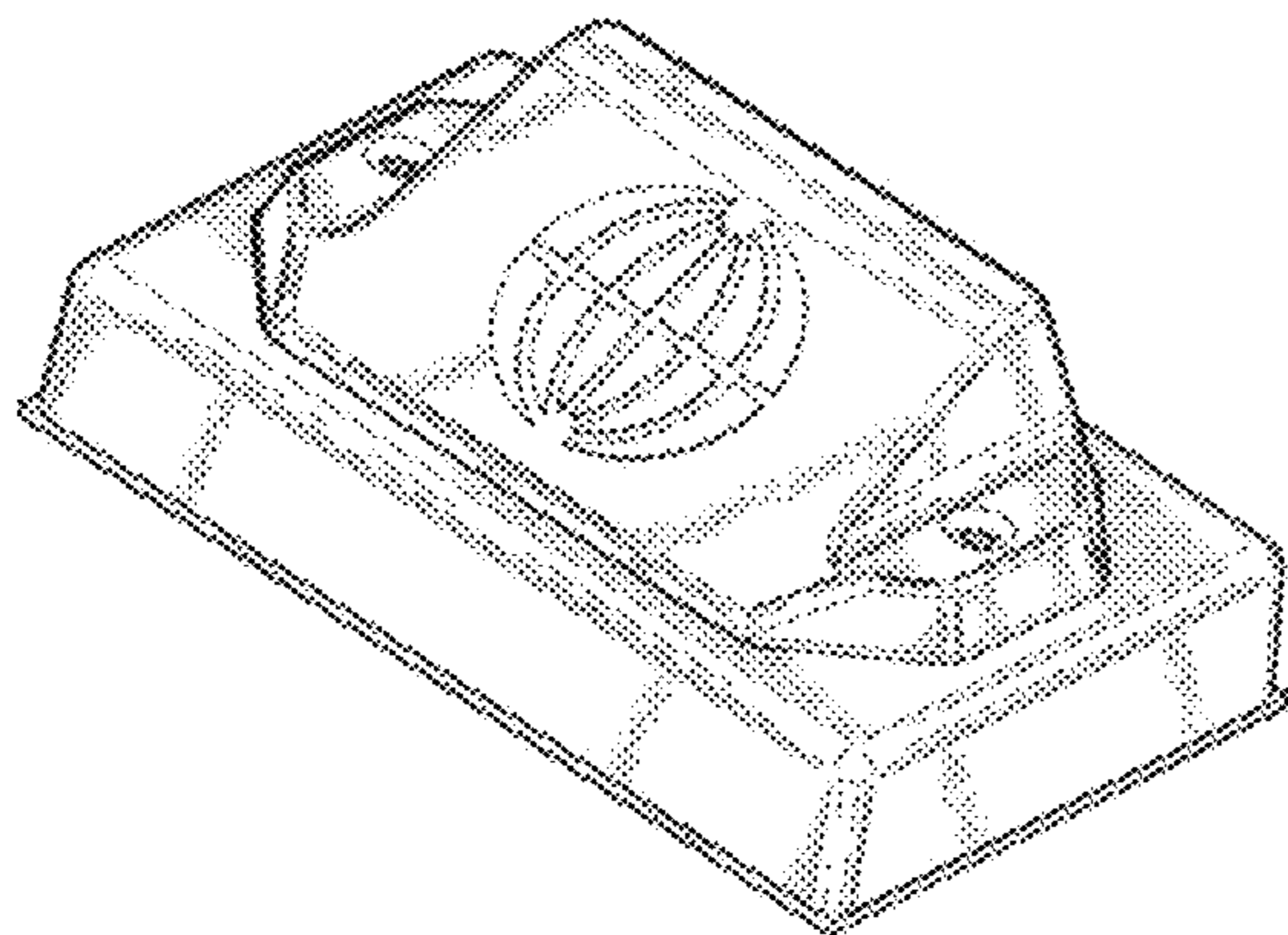
(57) **CLAIM**

The ornamental design for a light fixture, as shown and described.

DESCRIPTION

FIG. 1 is a perspective view of a light fixture showing my new design.
FIG. 2 is a left side view thereof.
FIG. 3 is a right side view thereof.
FIG. 4 is a front view thereof.
FIG. 5 is a rear view thereof.
FIG. 6 is a top view thereof; and,
FIG. 7 is a bottom view thereof.
The broken lines depict portions of the light fixture that form no part of the claimed design.

1 Claim, 4 Drawing Sheets



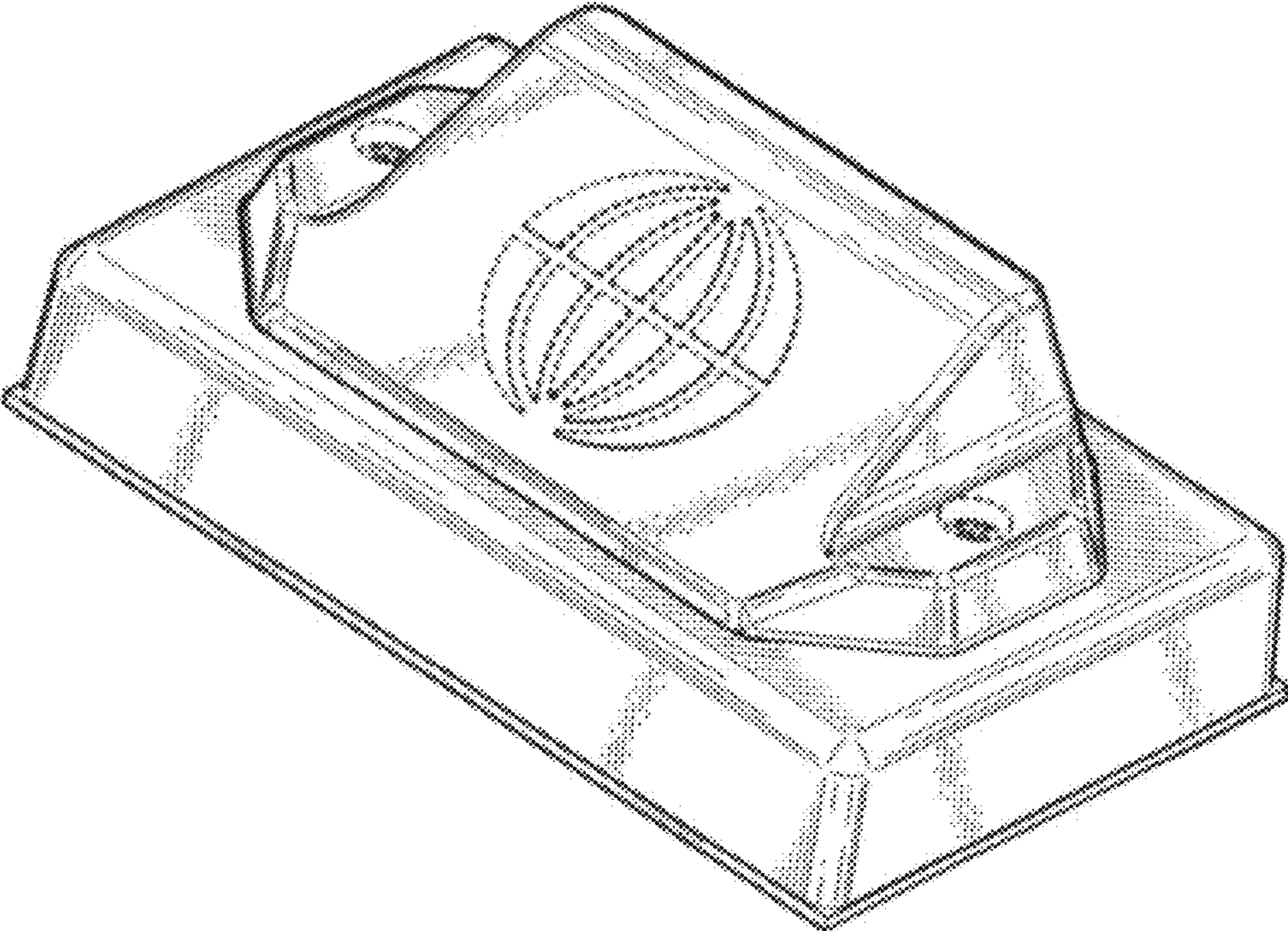


FIG. 1

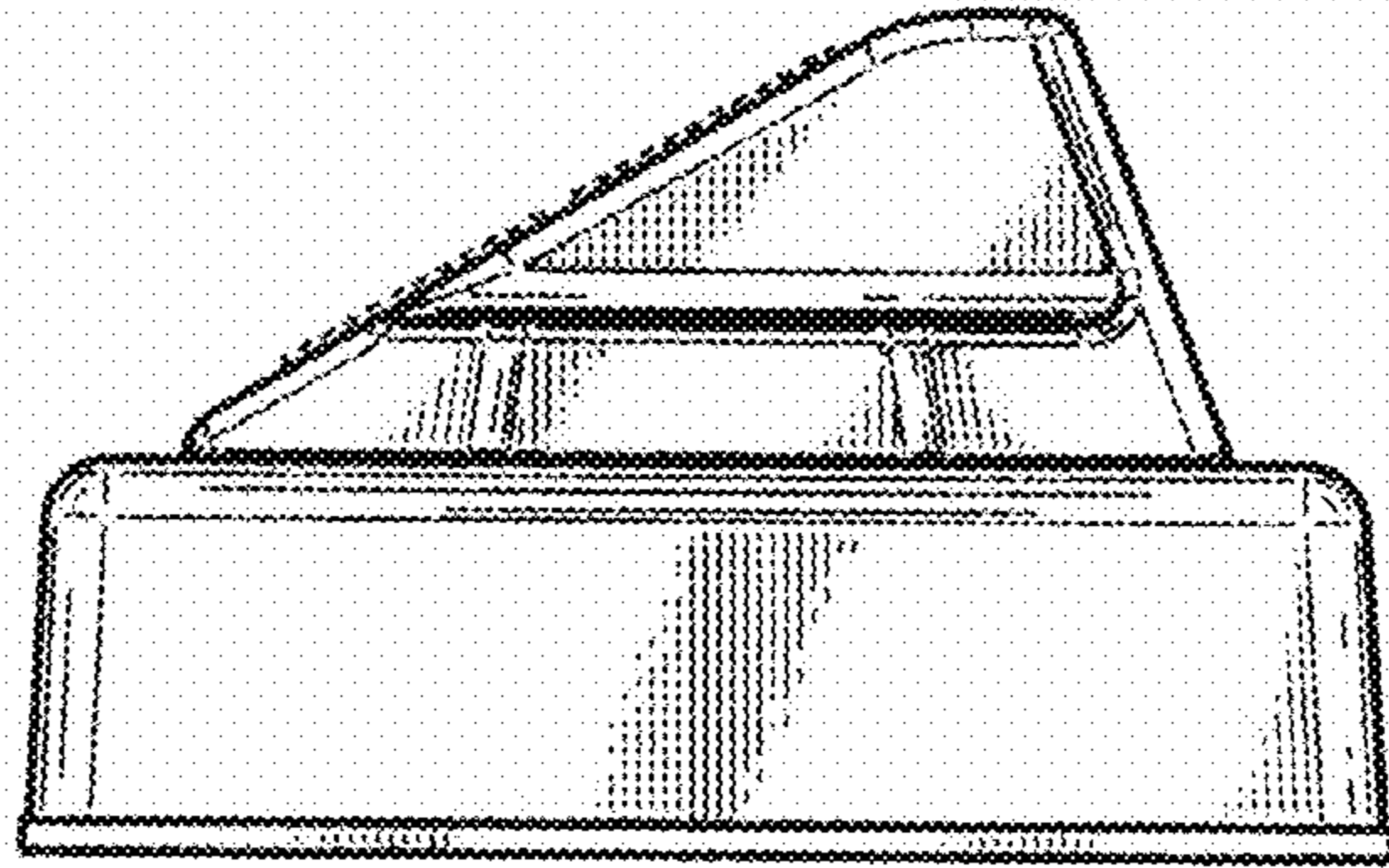


FIG. 2

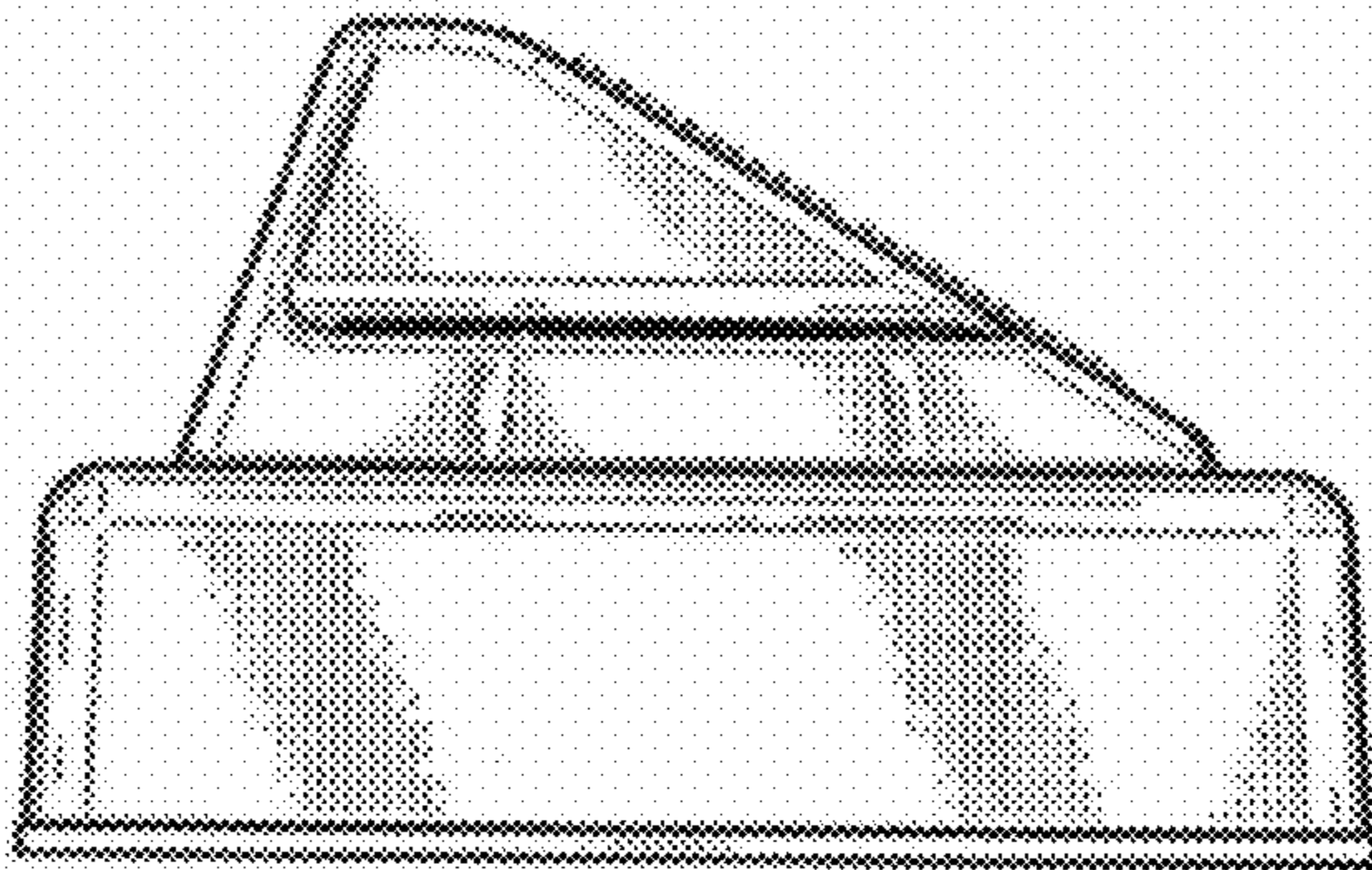


FIG. 3

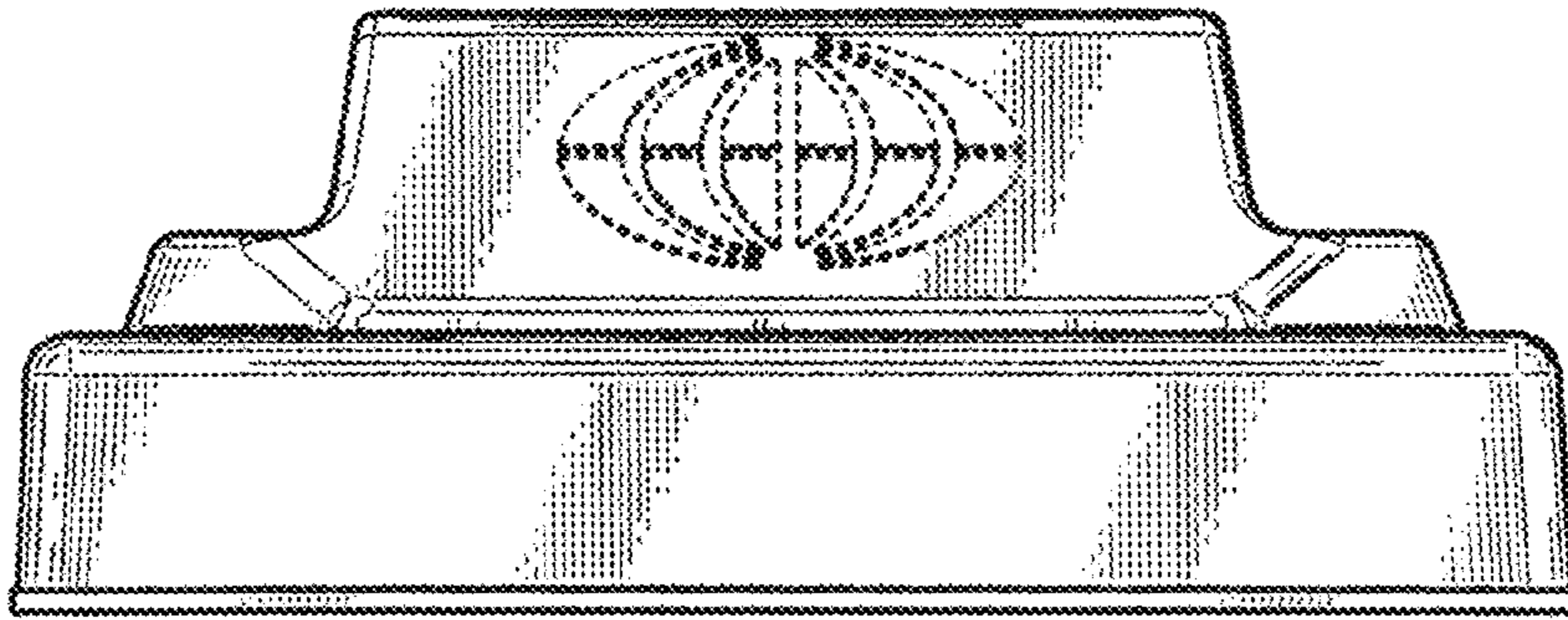


FIG. 4

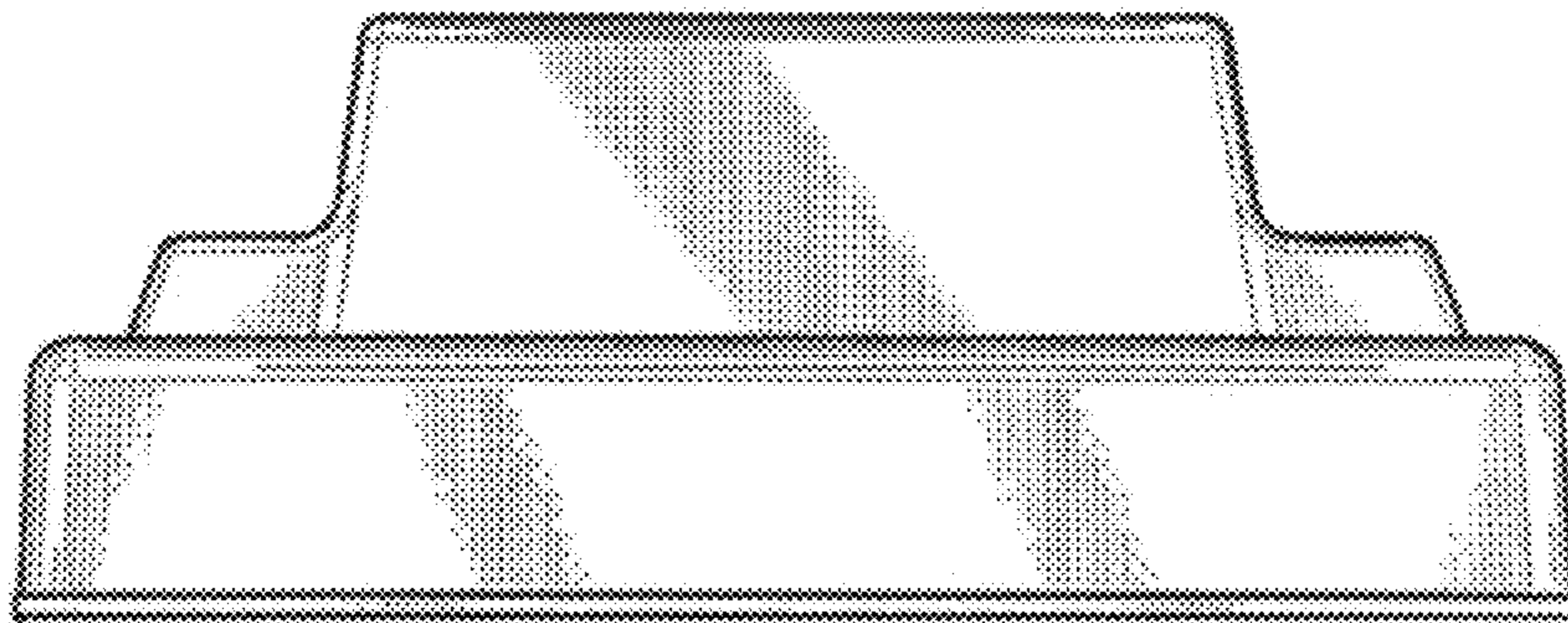


FIG. 5

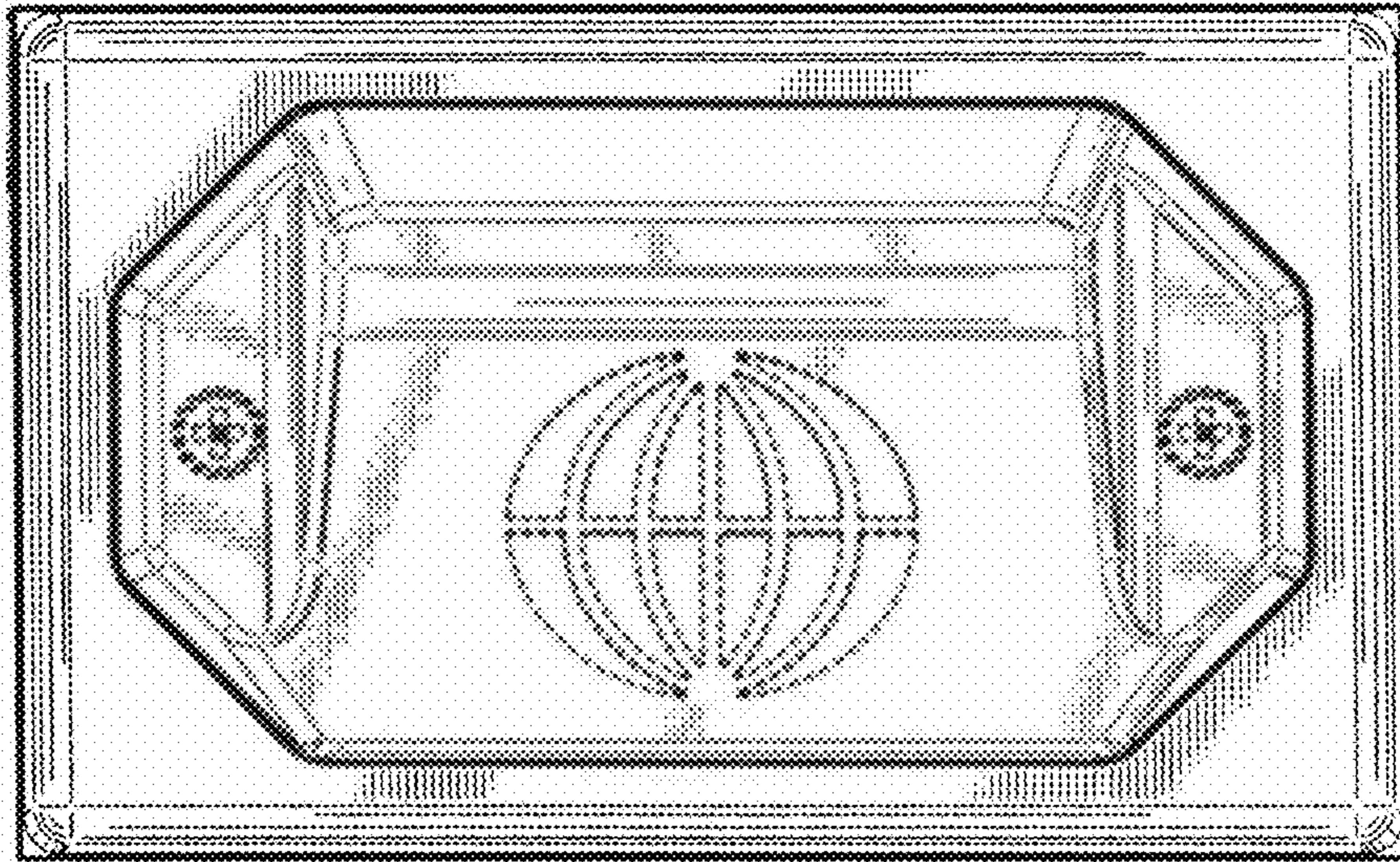


FIG. 6

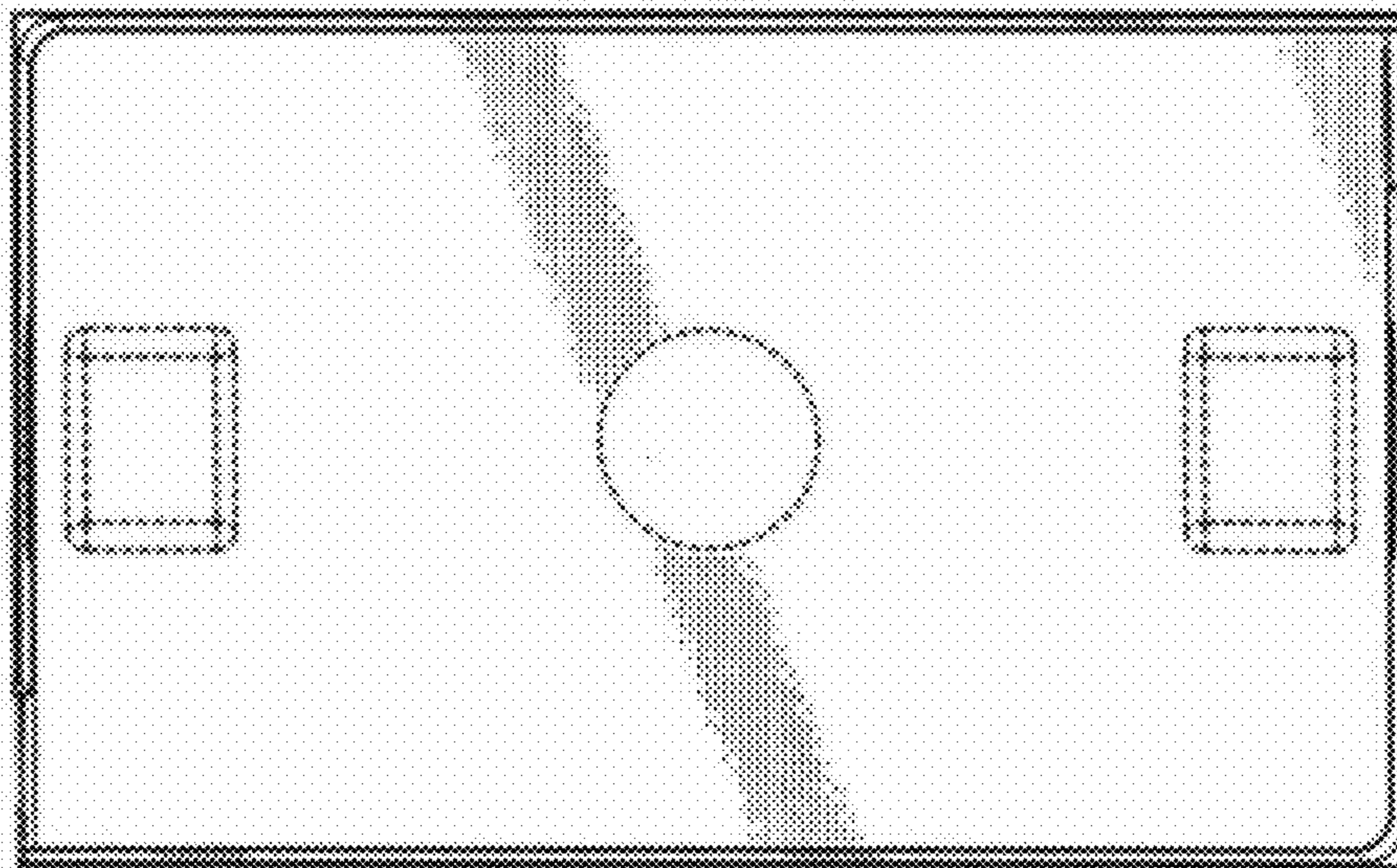


FIG. 7