



US00D748316S

(12) **United States Design Patent**
Sakurai et al.

(10) **Patent No.:** **US D748,316 S**
(45) **Date of Patent:** **** Jan. 26, 2016**

(54) **LIGHTING FIXTURE**

(71) Applicant: **Nittoh Kogaku K.K.**, Suwa-shi, Nagano (JP)

(72) Inventors: **Kenji Sakurai**, Suwa (JP); **Takashi Iwamoto**, Suwa (JP)

(73) Assignee: **NITTOH KOGAKU K.K.** (JP)

(**) Term: **14 Years**

(21) Appl. No.: **29/510,300**

(22) Filed: **Nov. 26, 2014**

(30) **Foreign Application Priority Data**

May 30, 2014 (JP) D2014-011702

(51) **LOC (10) Cl.** **26-03**

(52) **U.S. Cl.**
USPC **D26/89**

(58) **Field of Classification Search**
USPC D26/72, 85, 89, 118, 120
CPC F21S 8/03; F21S 8/033; F21S 8/04;
F21V 3/04; F21V 3/0418; F21V 3/0427;
F21V 3/0436; F21V 3/0445; F21V 21/02;
F21V 21/03; F21V 29/506; F21V 3/049;
F21V 5/045; F21V 7/04; F21V 11/06
See application file for complete search history.

(56) **References Cited**

U.S. PATENT DOCUMENTS

3,358,408 A * 12/1967 Cooper, Jr. E04C 2/54
52/202
D501,573 S * 2/2005 Benensohn D26/89
D595,450 S * 6/2009 Ko D26/120
7,736,018 B2 * 6/2010 Ladstaetter F21S 8/04
362/240
D629,146 S * 12/2010 van den Akker D26/89

D632,007 S * 2/2011 Kim D26/120
D634,055 S * 3/2011 Hokazono D26/89
D640,821 S * 6/2011 Kocks D26/89
D641,098 S * 7/2011 Wildner D26/85
D655,853 S * 3/2012 Kim D26/89
D656,654 S * 3/2012 Wauters D26/89
D668,374 S * 10/2012 Wauters D26/89
8,292,448 B2 * 10/2012 Kim F21S 2/005
362/311.02
8,444,286 B2 * 5/2013 Yasuoka F21S 8/04
362/147
8,801,211 B2 * 8/2014 Lee F21S 8/033
362/374
D722,194 S * 2/2015 Guercio D26/89
D722,195 S * 2/2015 Highbridge D26/89
D730,570 S * 5/2015 Chen D26/128
D731,111 S * 6/2015 Chen D26/128

OTHER PUBLICATIONS

Contempra Satin Nickel 4-light ceiling light found at eurostylelighting.com, visited Aug. 5, 2010.*

(Continued)

Primary Examiner — Clare E Heflin

(74) *Attorney, Agent, or Firm* — Cantor Colburn LLP

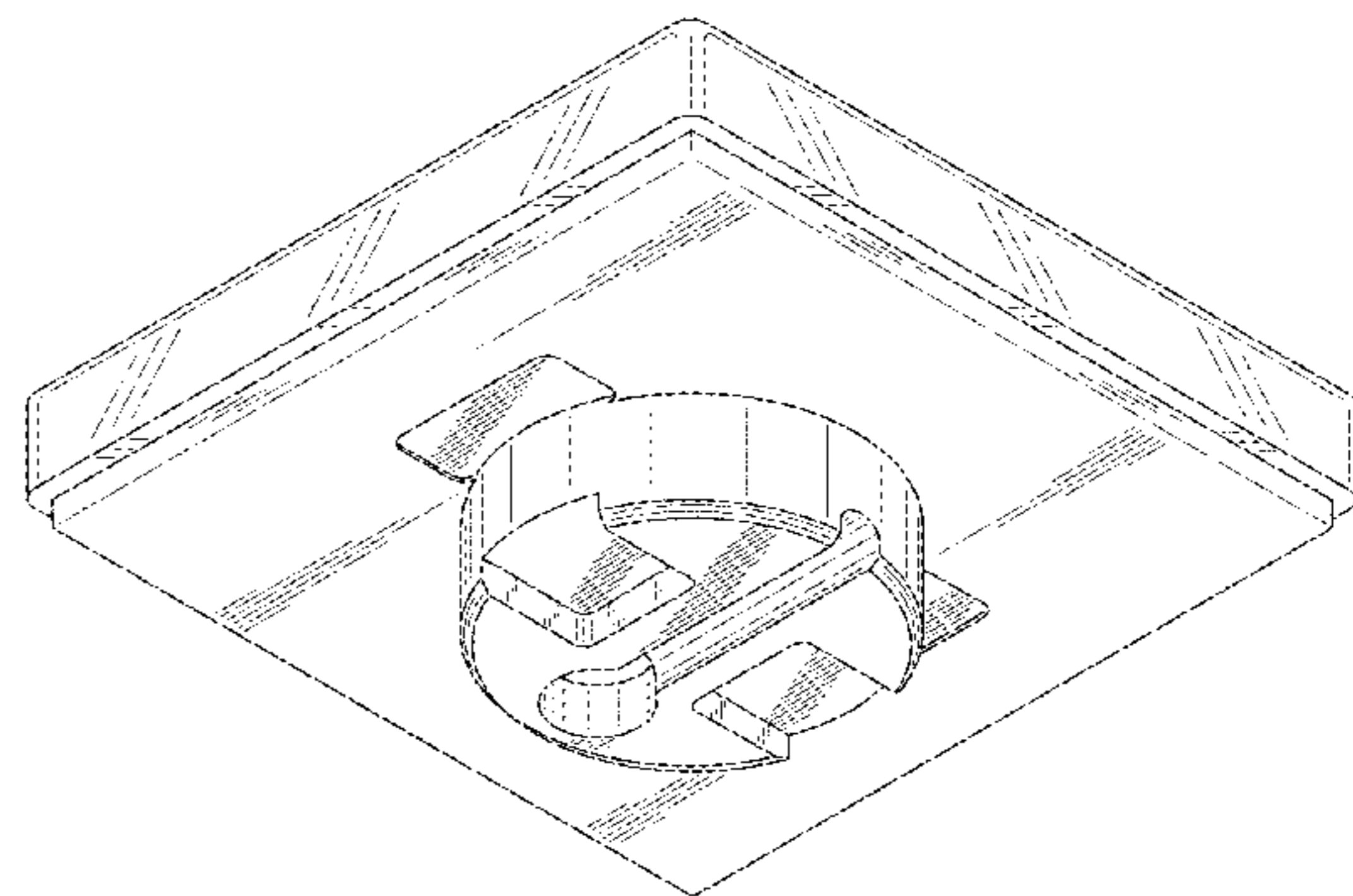
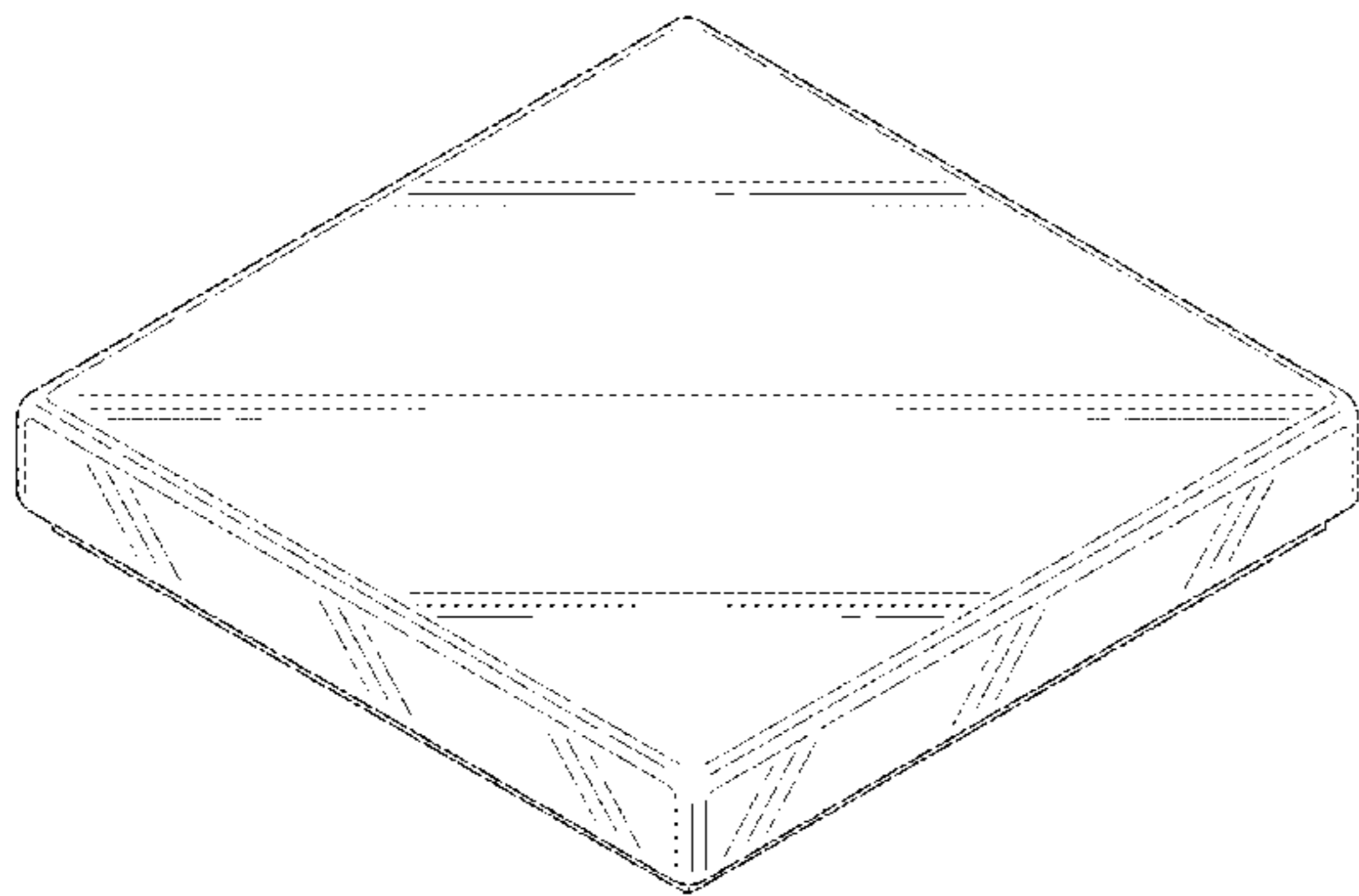
(57) **CLAIM**

We claim the ornamental design for a lighting fixture, as shown and described.

DESCRIPTION

FIG. 1 is a front perspective view of a lighting fixture.
FIG. 2 is a rear perspective view of the lighting fixture;
FIG. 3 is a front view of the lighting fixture;
FIG. 4 is a rear view of the lighting fixture;
FIG. 5 is a left side view of the lighting fixture;
FIG. 6 is a right side view of the lighting fixture;
FIG. 7 is a top view of the lighting fixture; and,
FIG. 8 is a bottom view of the lighting fixture.

1 Claim, 6 Drawing Sheets



(56)

References Cited

OTHER PUBLICATIONS

Square Collection Ceiling/wall Light Fixture found at eurostylelighting.com, visited Aug. 5, 2010.*

Japanese Notice of Reasons for Rejection corresponding to Design application No. 2014-011702; Mailing date Nov. 28, 2014, with English translation.

* cited by examiner

FIG. 1

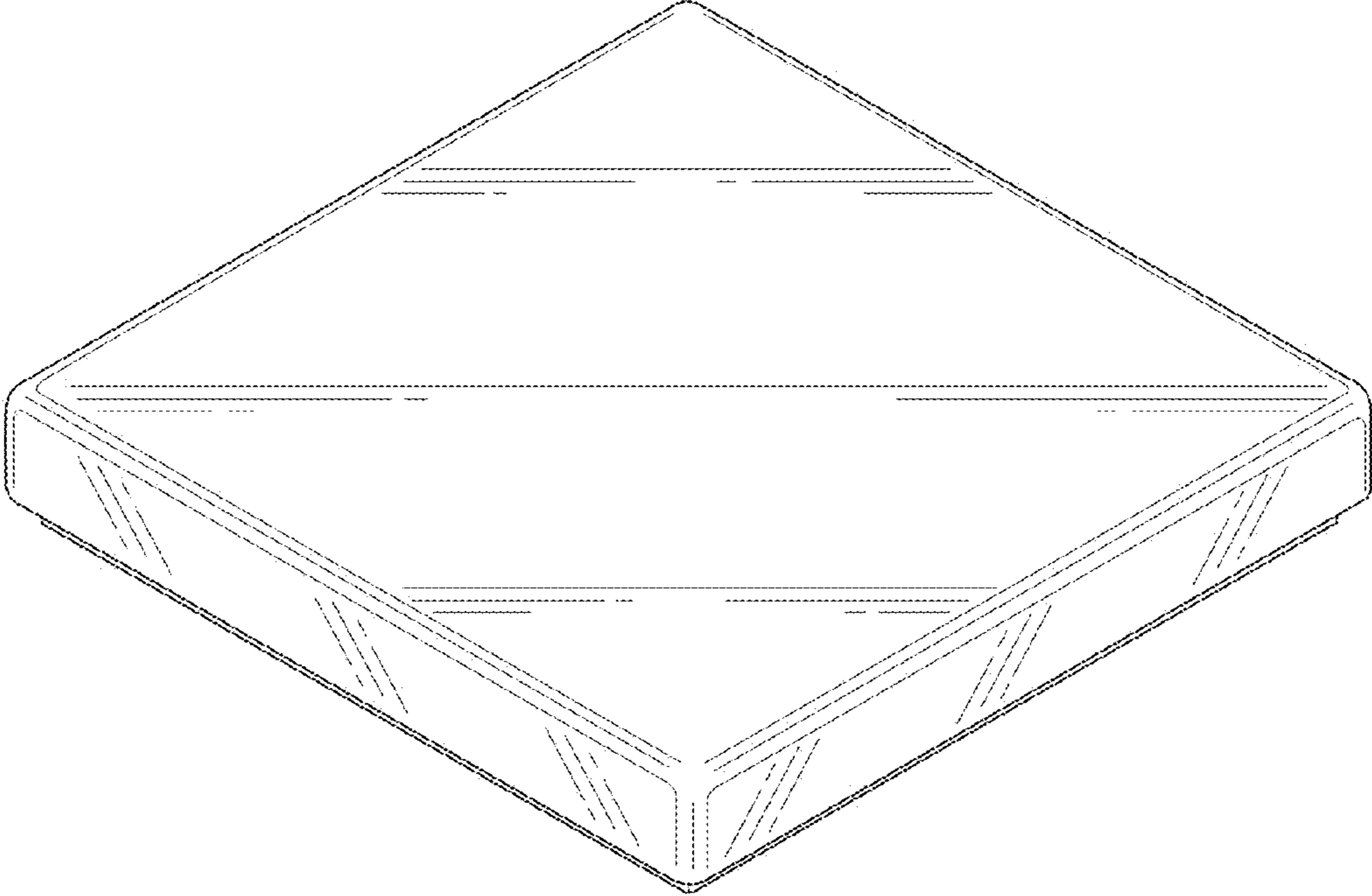


FIG. 2

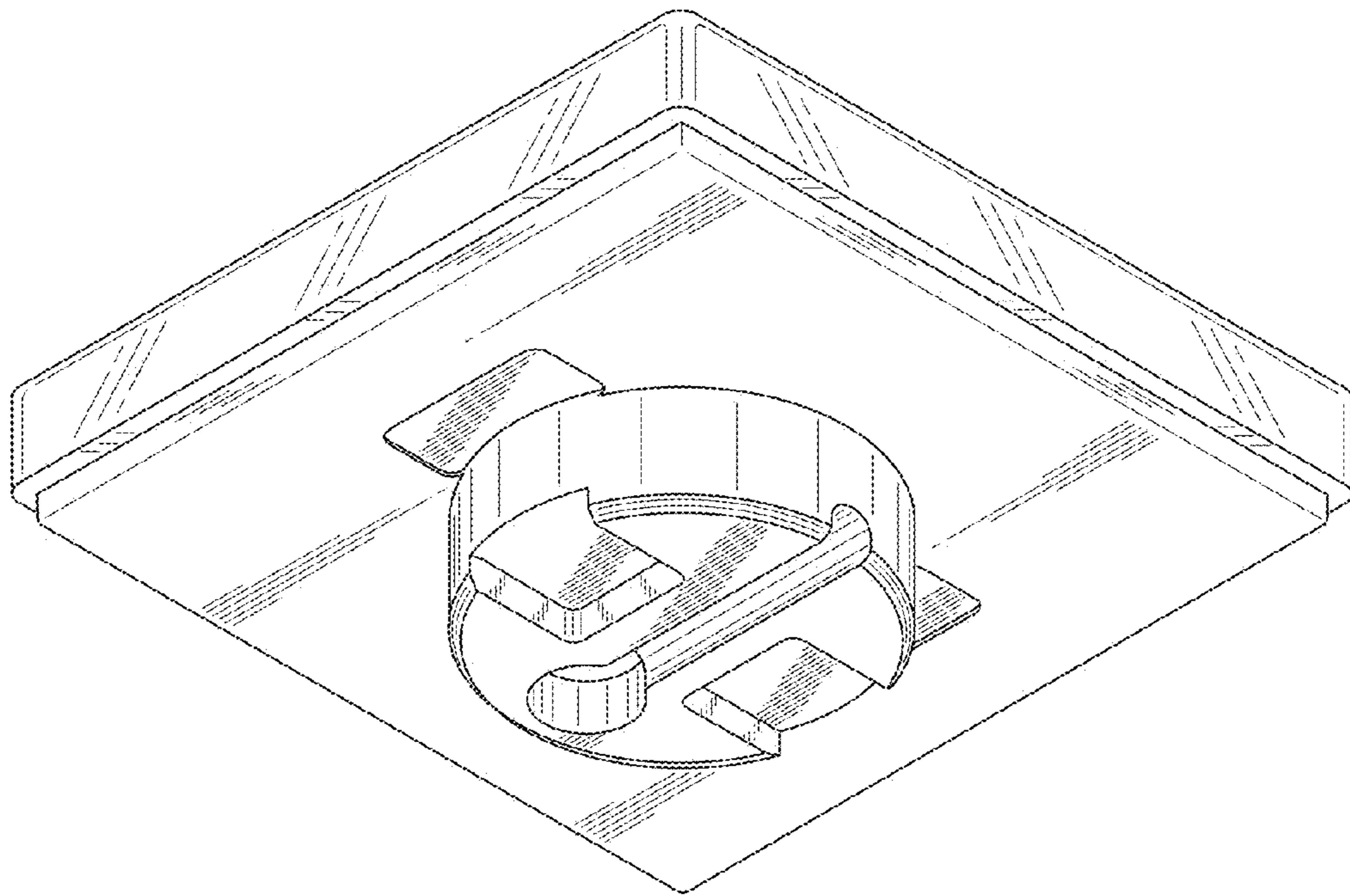


FIG. 3

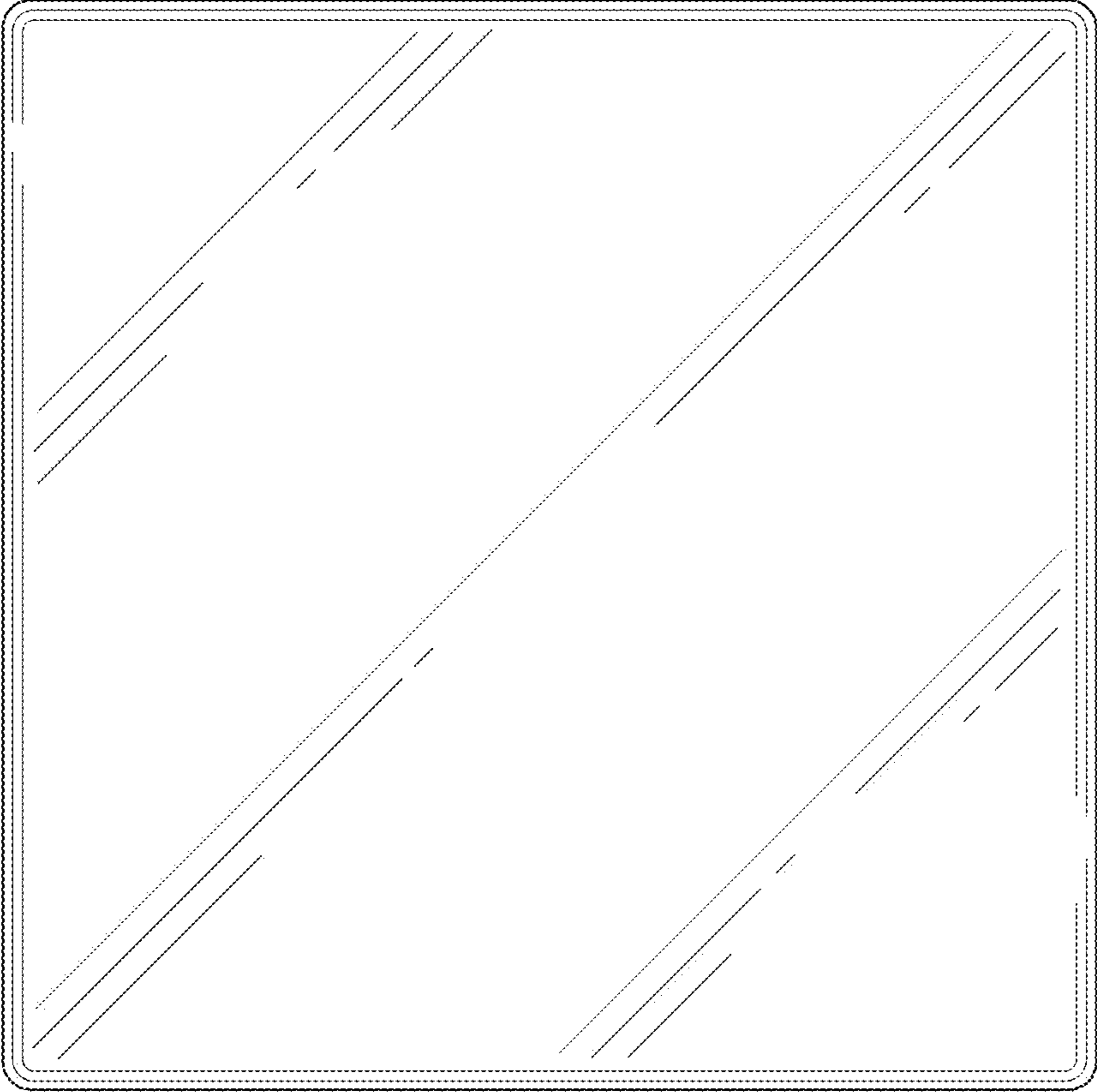


FIG. 4

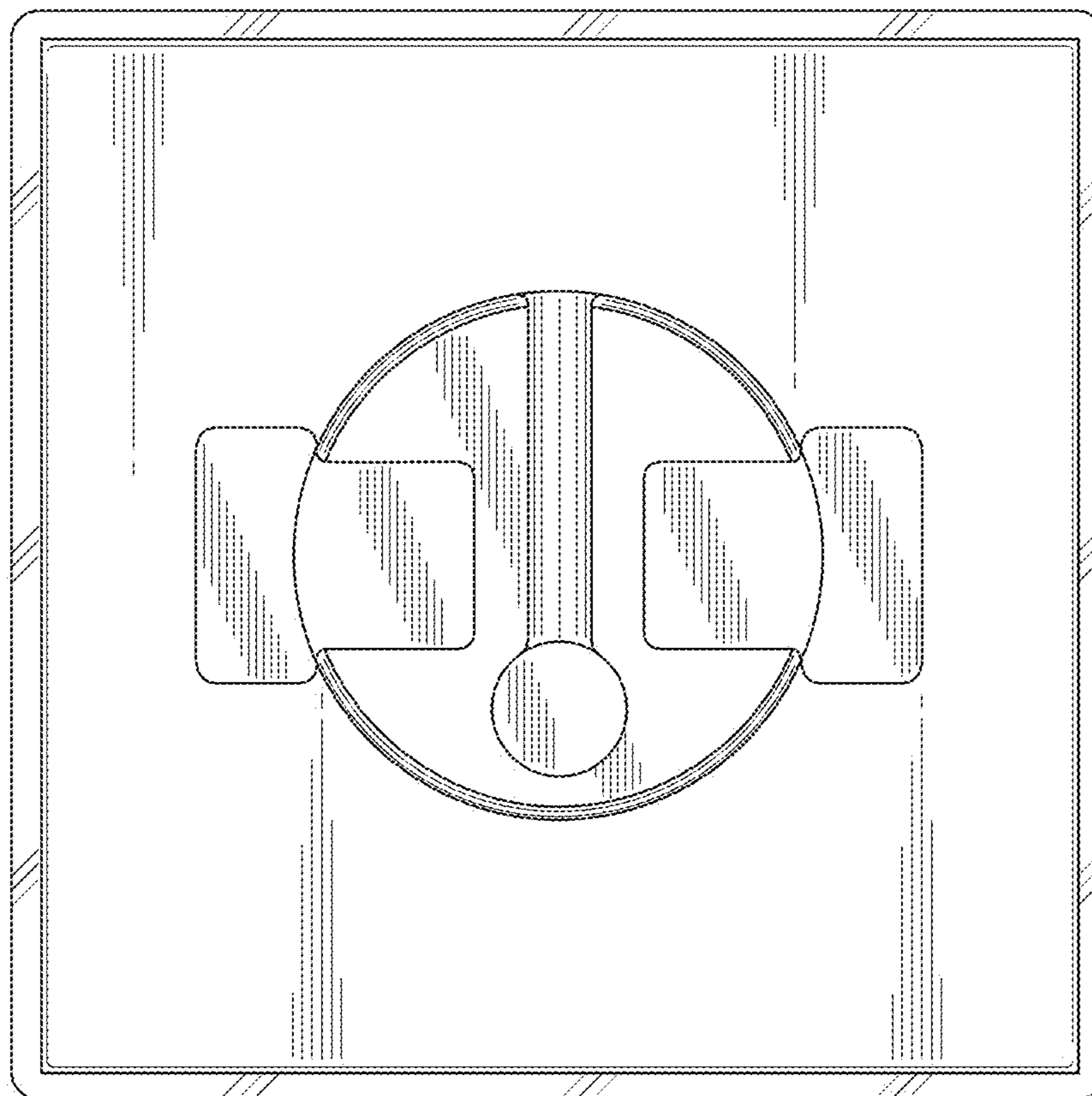


FIG. 5

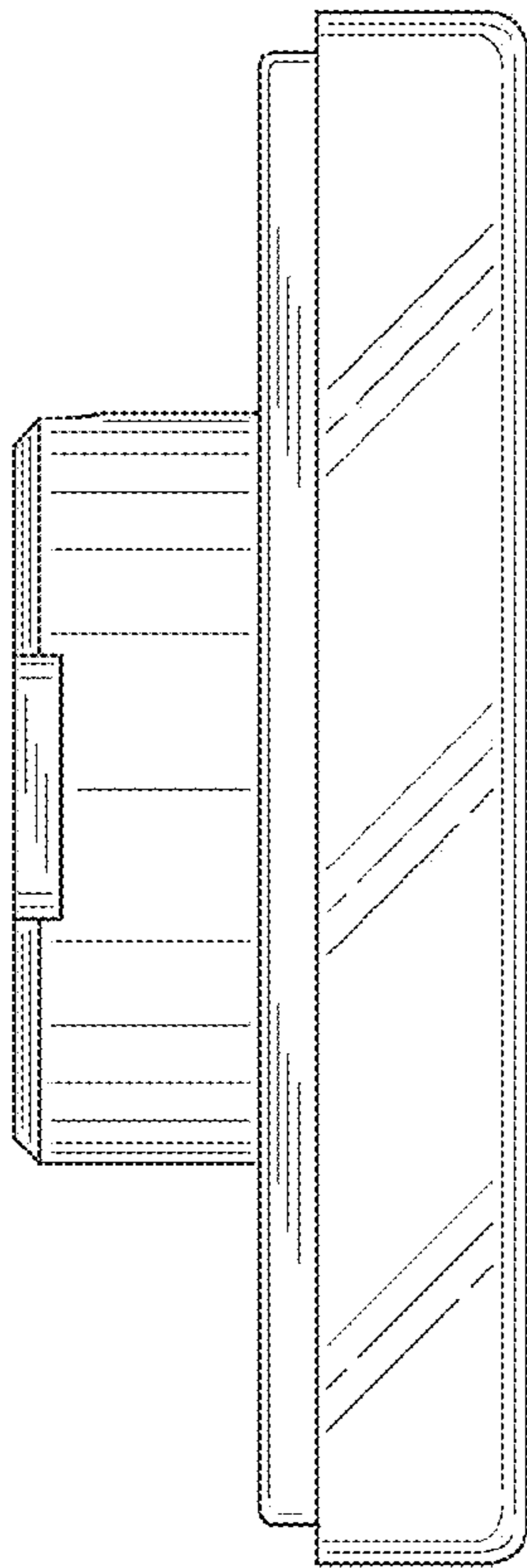


FIG. 6

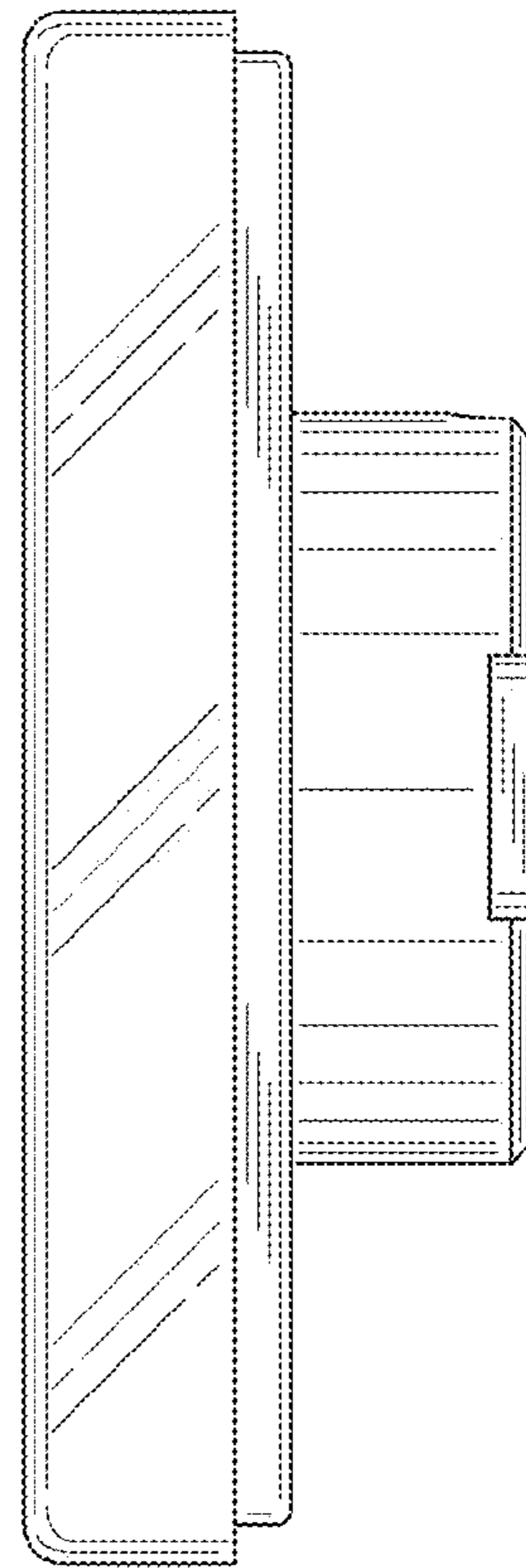


FIG. 7

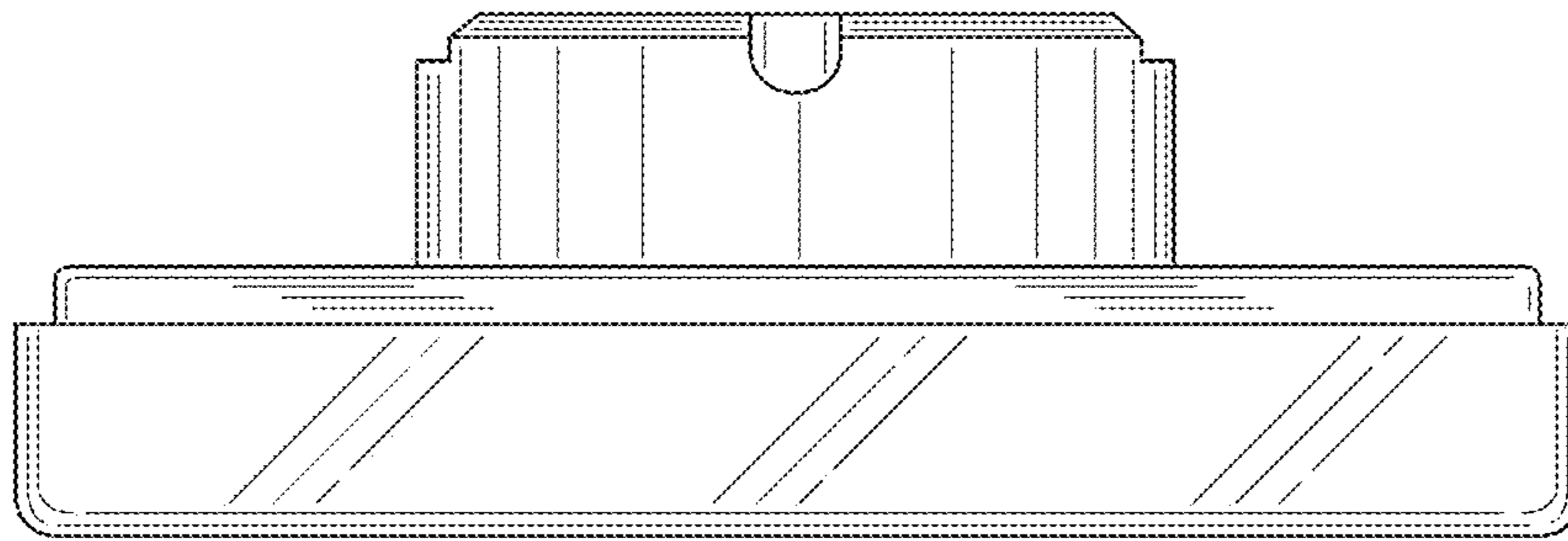


FIG. 8

