



US00D748315S

(12) **United States Design Patent**
Ladewig

(10) **Patent No.:** **US D748,315 S**
(45) **Date of Patent:** **** Jan. 26, 2016**

(54) **LUMINAIRE**

OTHER PUBLICATIONS

(71) Applicant: **Cooper Technologies Company,**
Houston, TX (US)

Cooper Lighting; Invue; MSA Mesa LED, Product specification;
Feb. 26, 2013.

(72) Inventor: **Christopher Ladewig,** Fayetteville, GA
(US)

* cited by examiner

(73) Assignee: **Cooper Technologies Company,**
Houston, TX (US)

Primary Examiner — Brian N Vinson

(74) *Attorney, Agent, or Firm* — King & Spalding LLP

(**) Term: **15 Years**

(57) **CLAIM**

(21) Appl. No.: **29/532,745**

The ornamental design for a luminaire, as shown and
described.

(22) Filed: **Jul. 9, 2015**

Related U.S. Application Data

DESCRIPTION

(62) Division of application No. 29/464,520, filed on Aug.
16, 2013.

(51) **LOC (10) Cl.** **26-03**

(52) **U.S. Cl.**
USPC **D26/67**

(58) **Field of Classification Search**
USPC D26/24, 93, 103–107, 110–112, 67, 68
CPC F21S 6/00; F21S 6/002; F21V 1/00;
F21V 1/02; F21V 21/02; F21V 1/12; F21V
1/22; F21V 1/18; F21W 2131/30
See application file for complete search history.

FIG. 1 is a perspective view of a luminaire, showing my new
design;
FIG. 2 is a front side elevation view thereof;
FIG. 3 is a right side elevation view thereof;
FIG. 4 is a back side elevation view thereof;
FIG. 5 is a left side elevation view thereof;
FIG. 6 is a top plan view thereof; and
FIG. 7 is a bottom plan view thereof;
FIG. 8 is a perspective view of an alternate embodiment of a
luminaire, showing my new design;
FIG. 9 is a front side elevation view thereof;
FIG. 10 is a right side elevation view thereof;
FIG. 11 is a back side elevation view thereof;
FIG. 12 is a left side elevation view thereof;
FIG. 13 is a top plan view thereof; and,
FIG. 14 is a bottom plan view thereof.

(56) **References Cited**

U.S. PATENT DOCUMENTS

D468,478 S *	1/2003	Landefeld	D26/106
D499,503 S *	12/2004	Hon	D26/67
D592,343 S *	5/2009	Wilcox	D26/67
D670,018 S *	10/2012	Sauvage	D26/68
D678,576 S *	3/2013	Chen	D26/67
D713,082 S *	9/2014	Hermansen	D26/67
D716,989 S *	11/2014	Sooferian	D26/68

The broken line disclosure represents portions of the lumi-
naire which form no part of the claimed design, and no claim
is made to the area between the dash-dot-dot-dash broken
away lines.

1 Claim, 12 Drawing Sheets

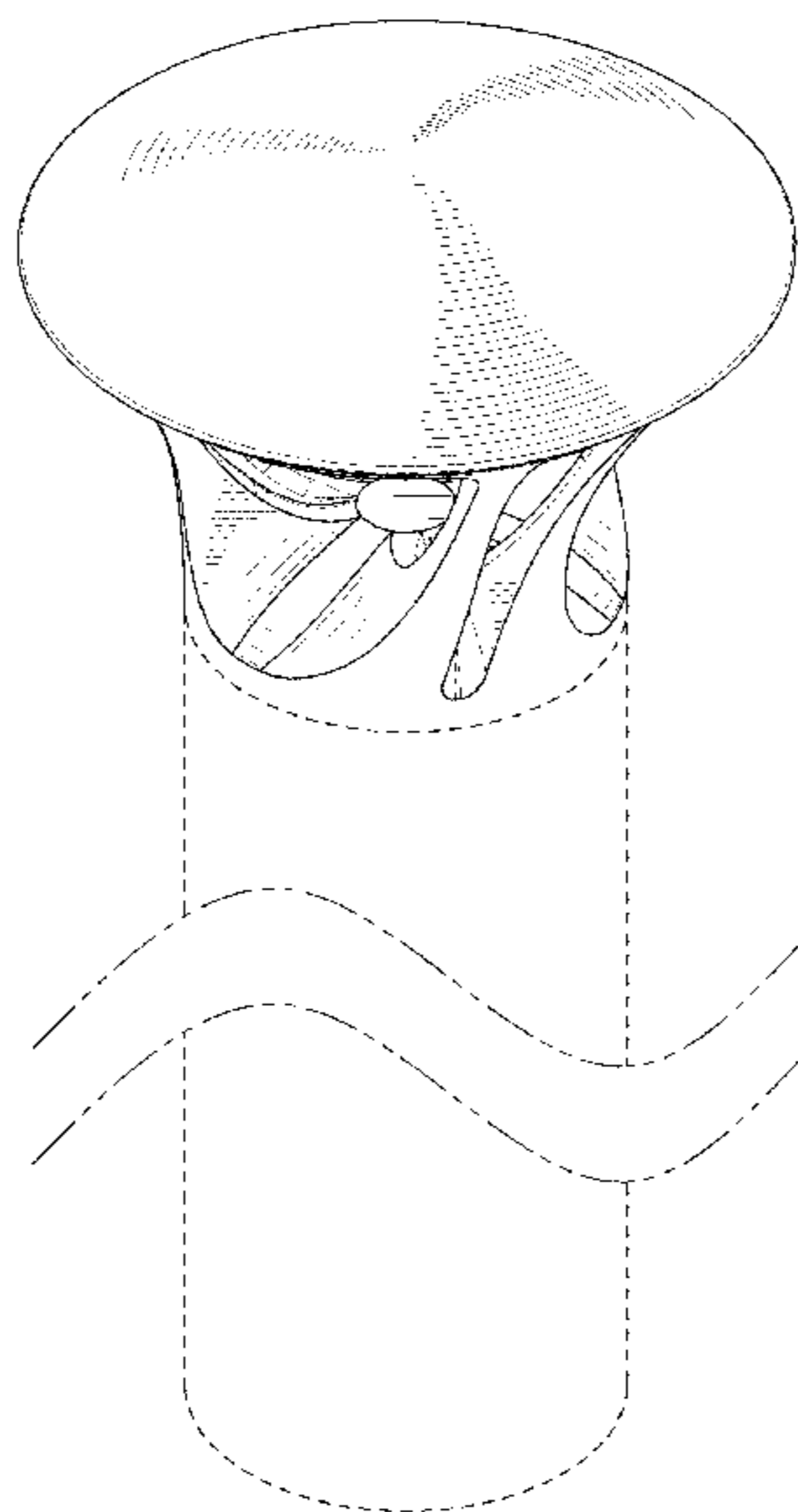


FIG. 1

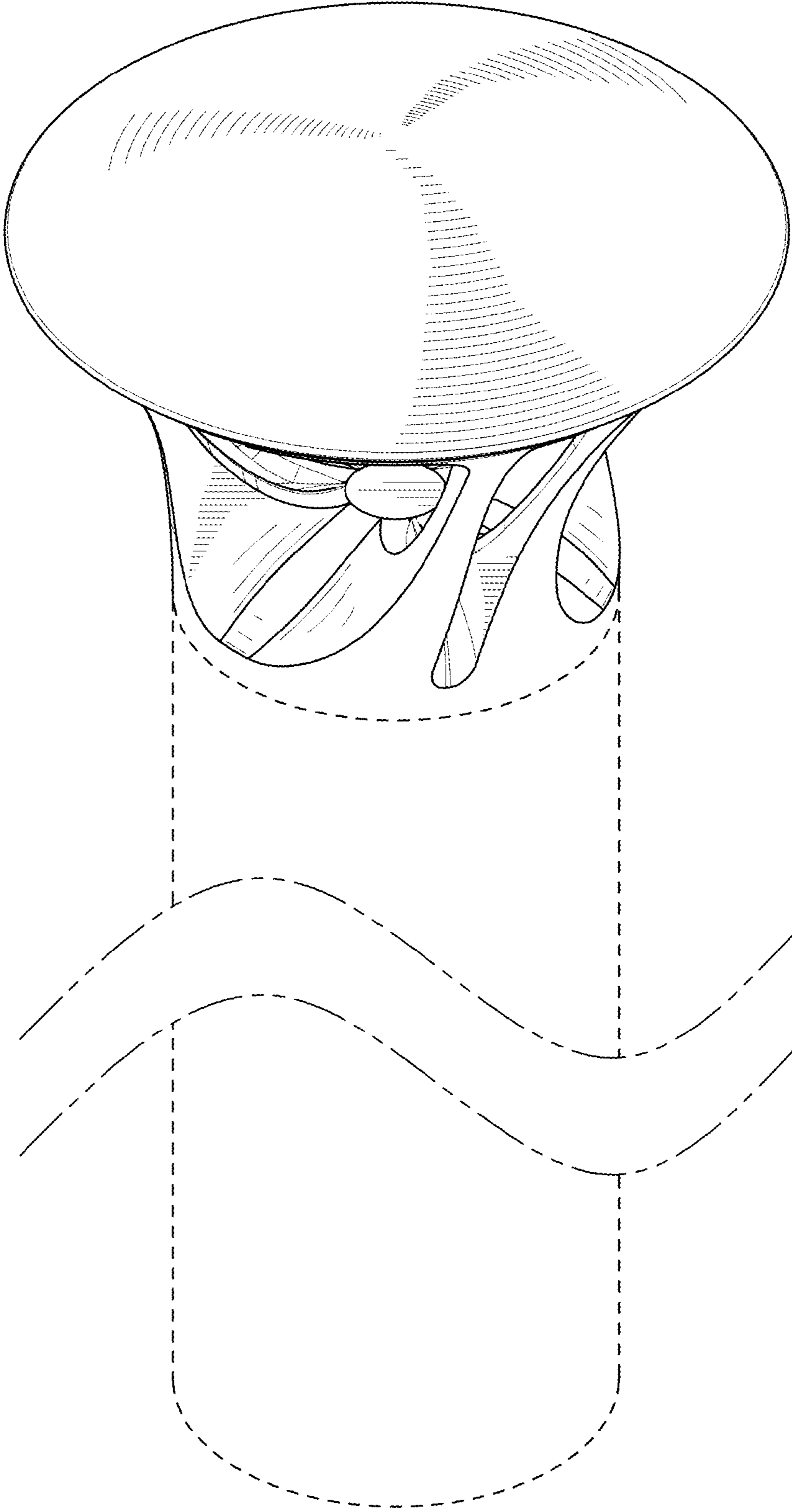


FIG. 2

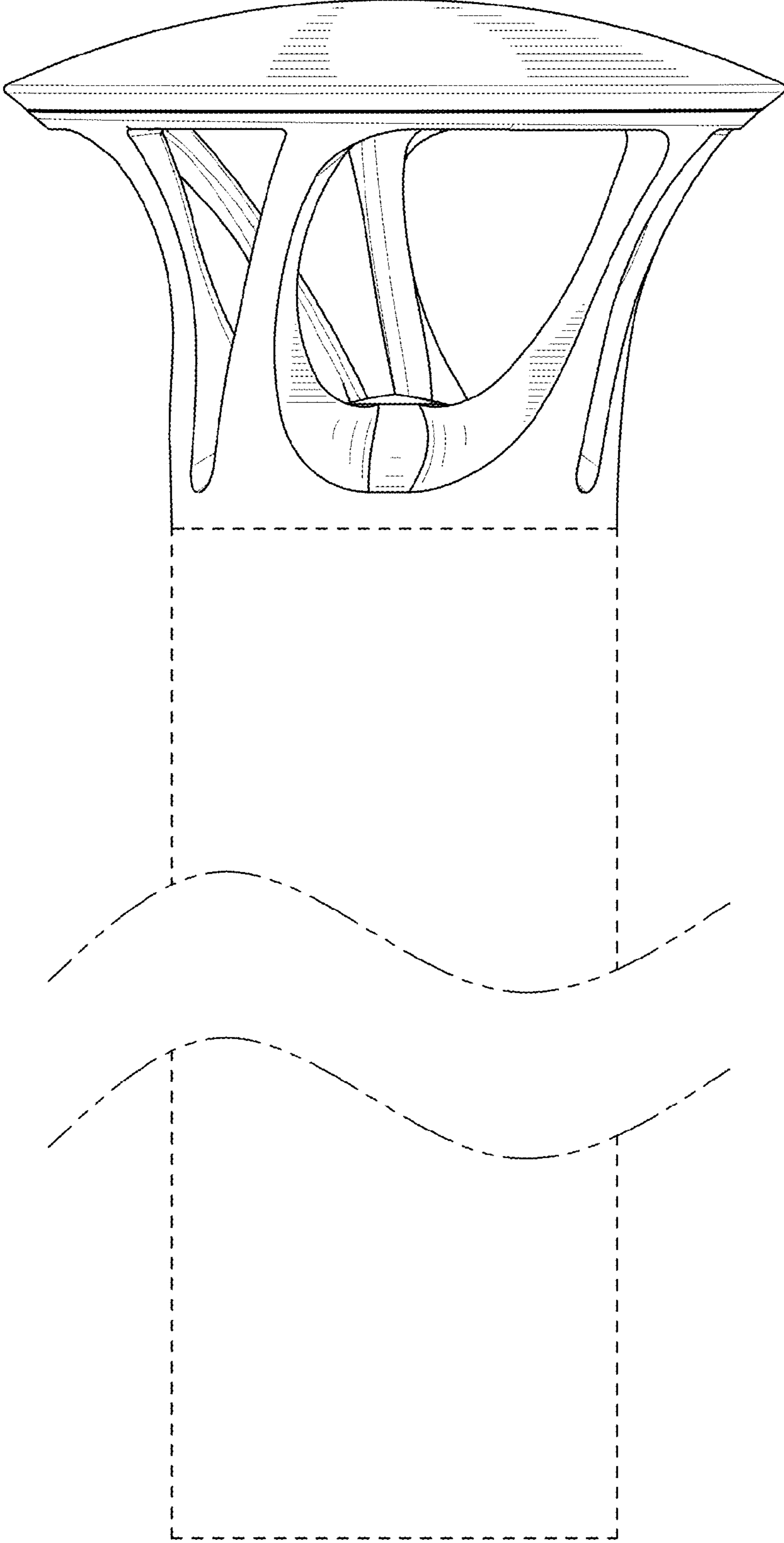


FIG. 3

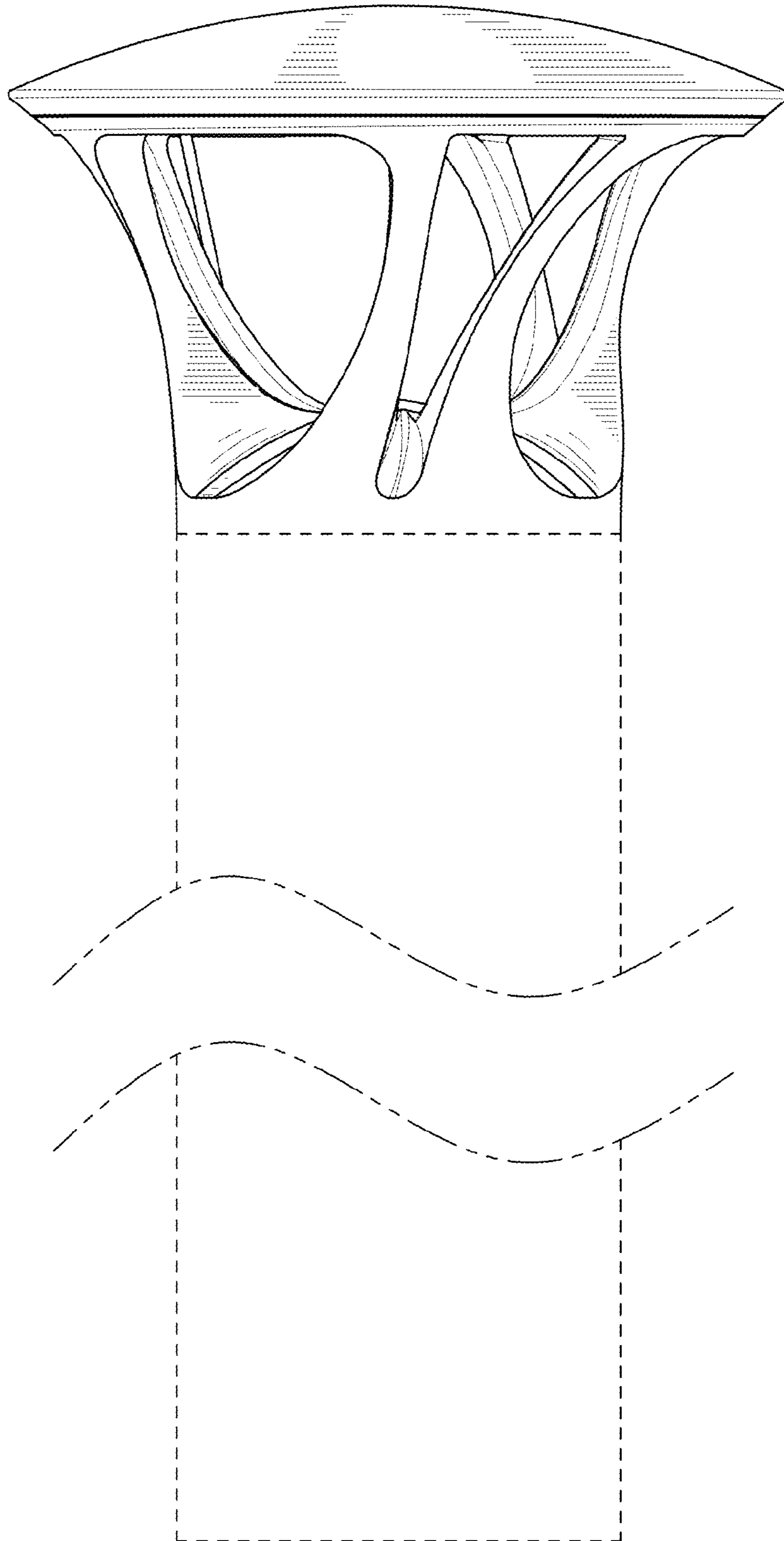


FIG. 4

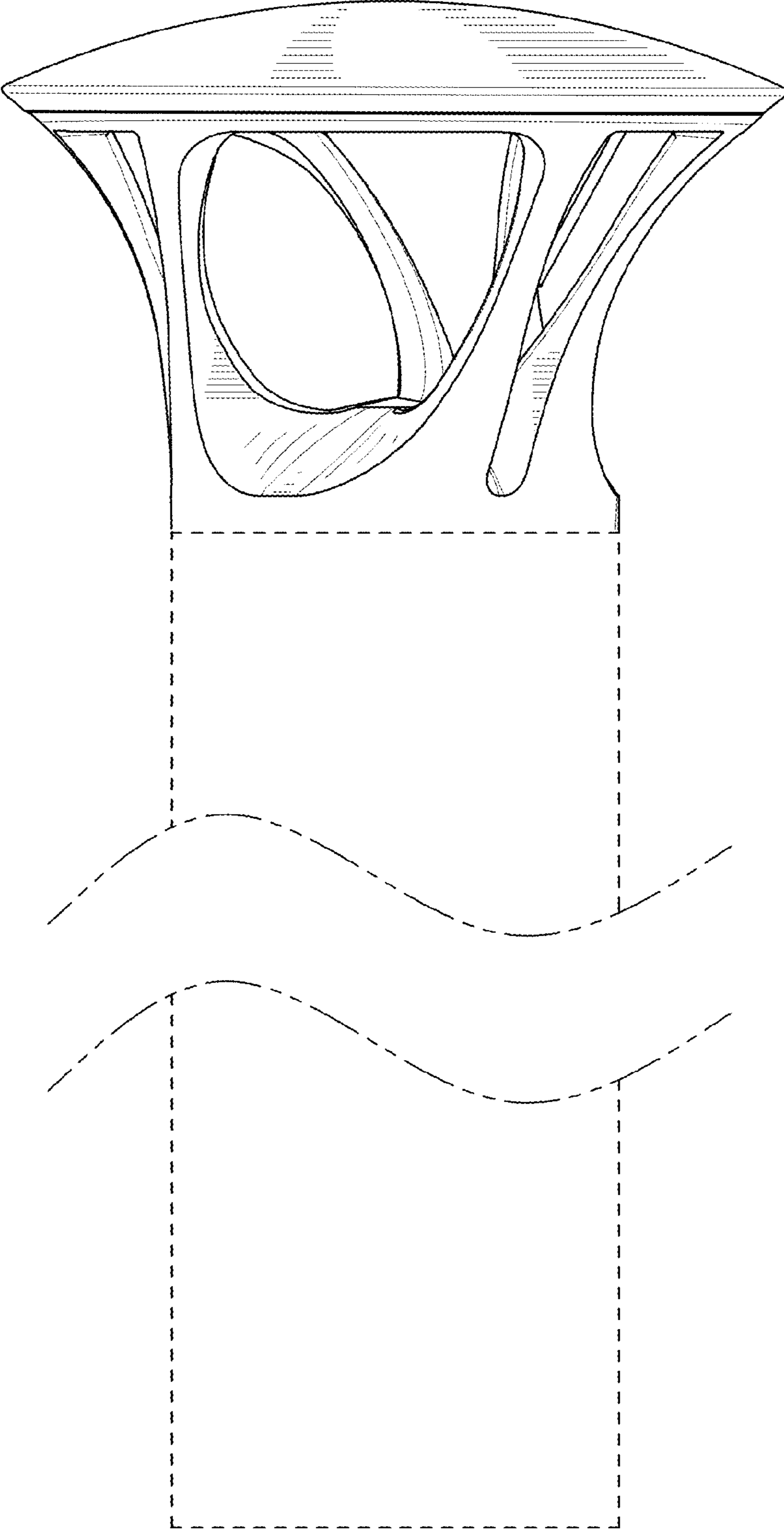
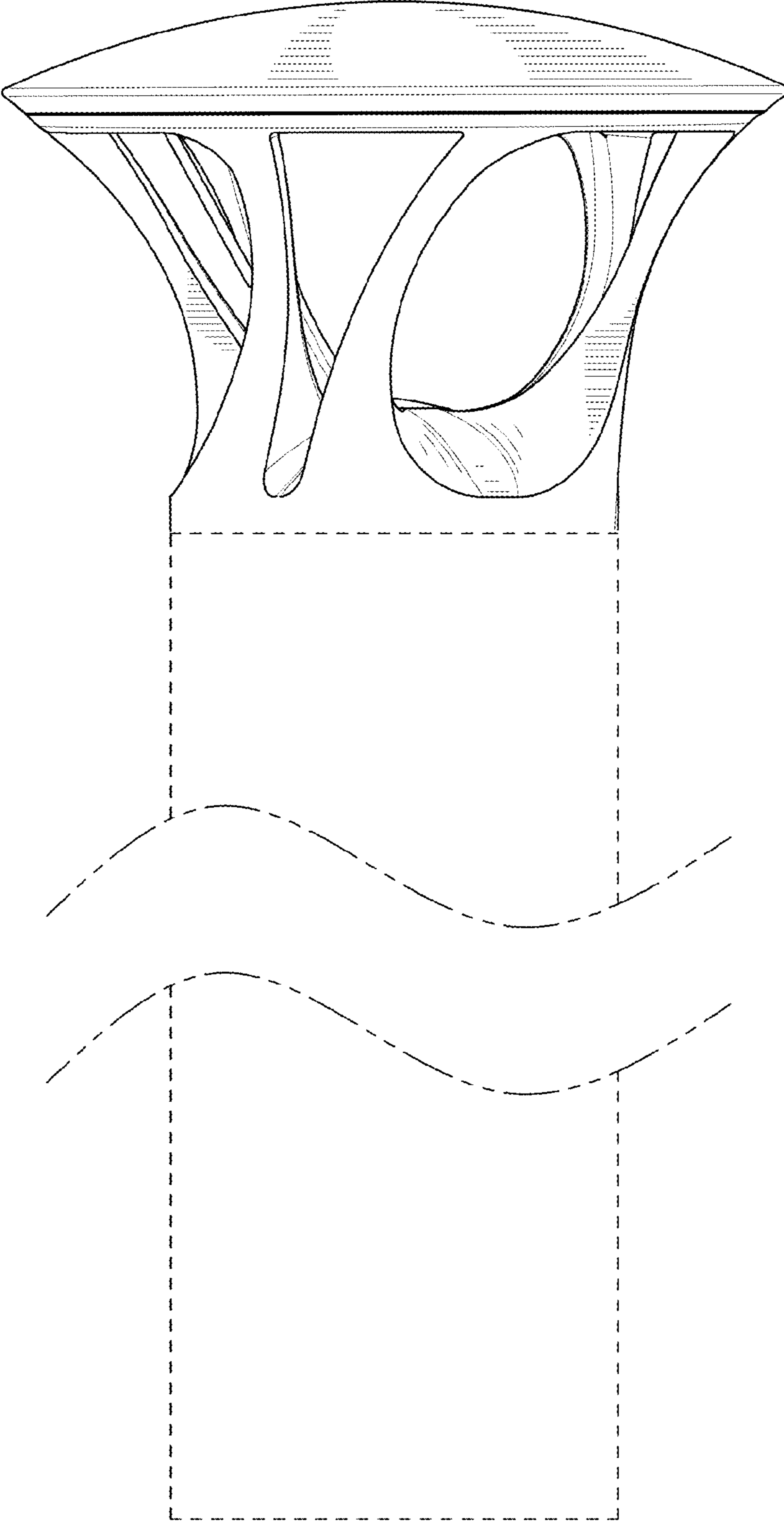


FIG. 5



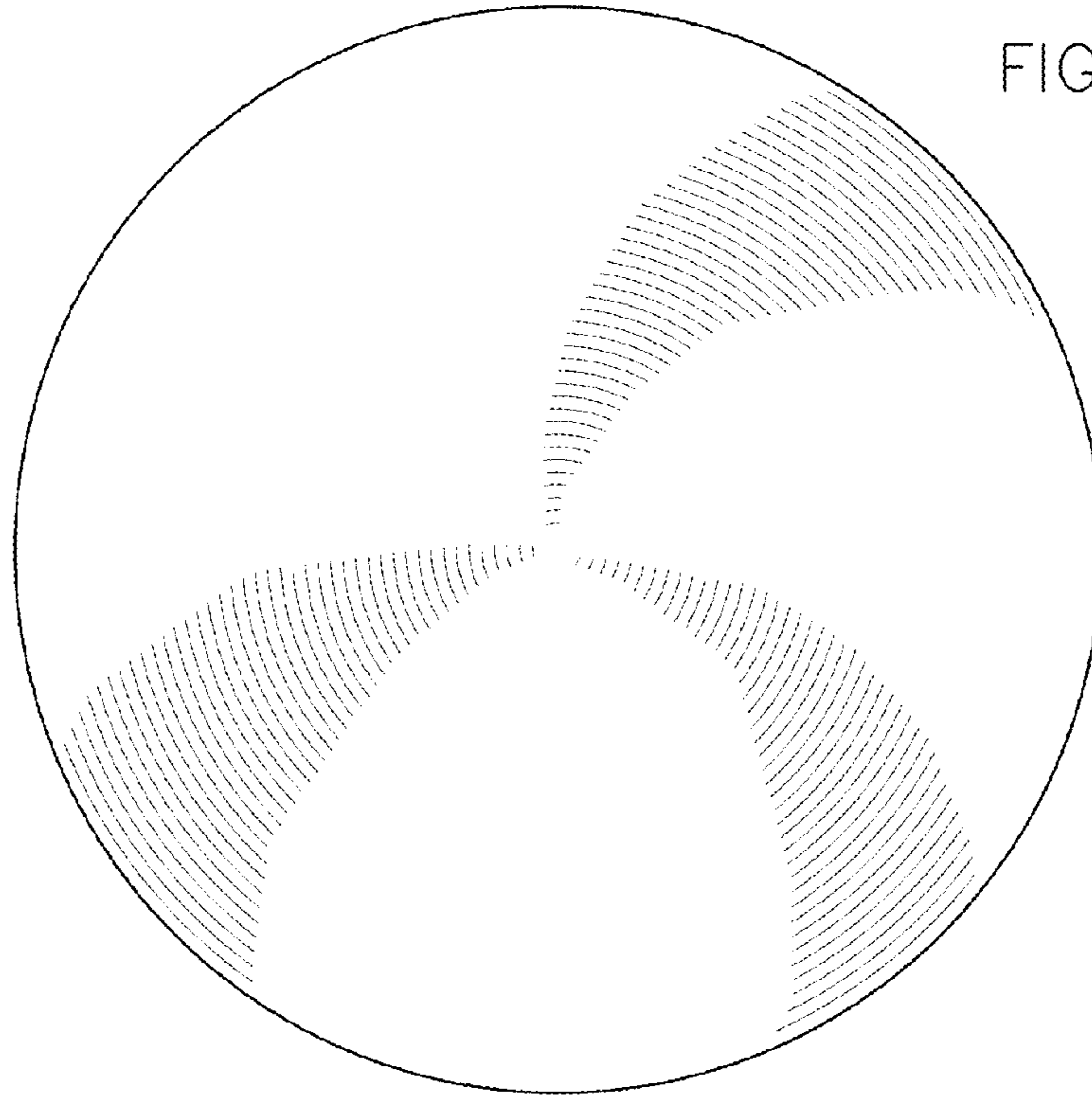


FIG. 6

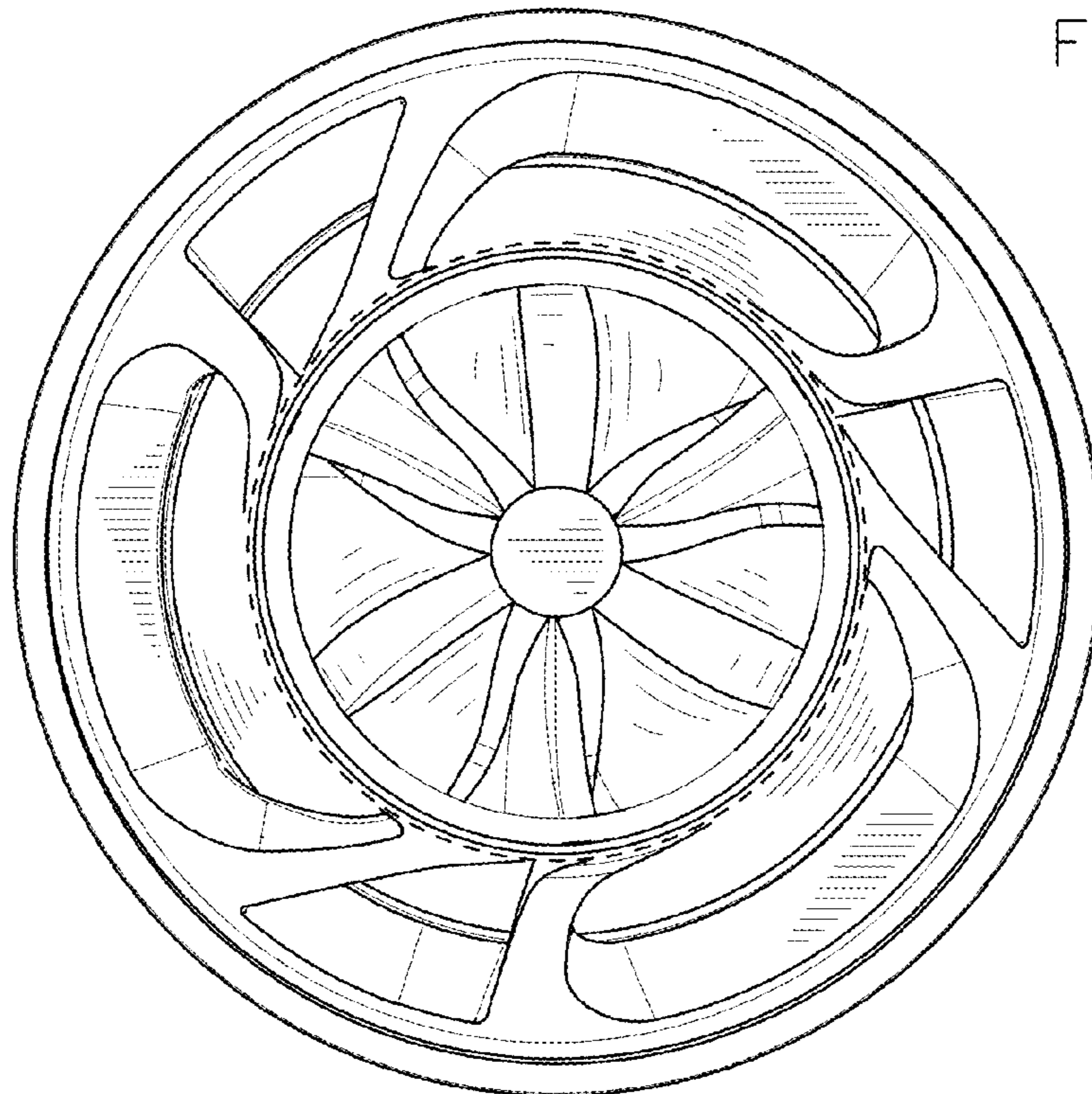


FIG. 7

FIG. 8

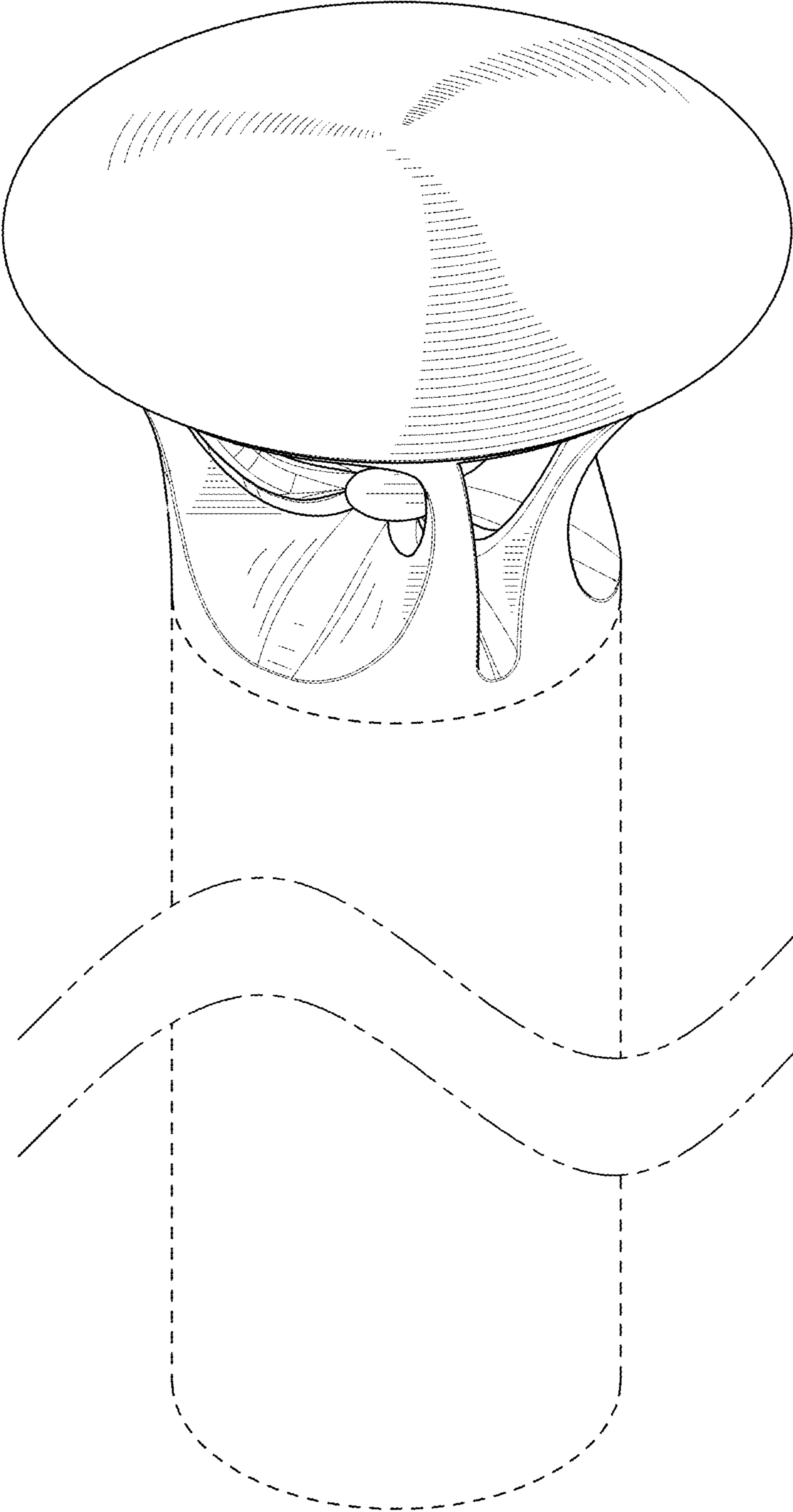


FIG. 9

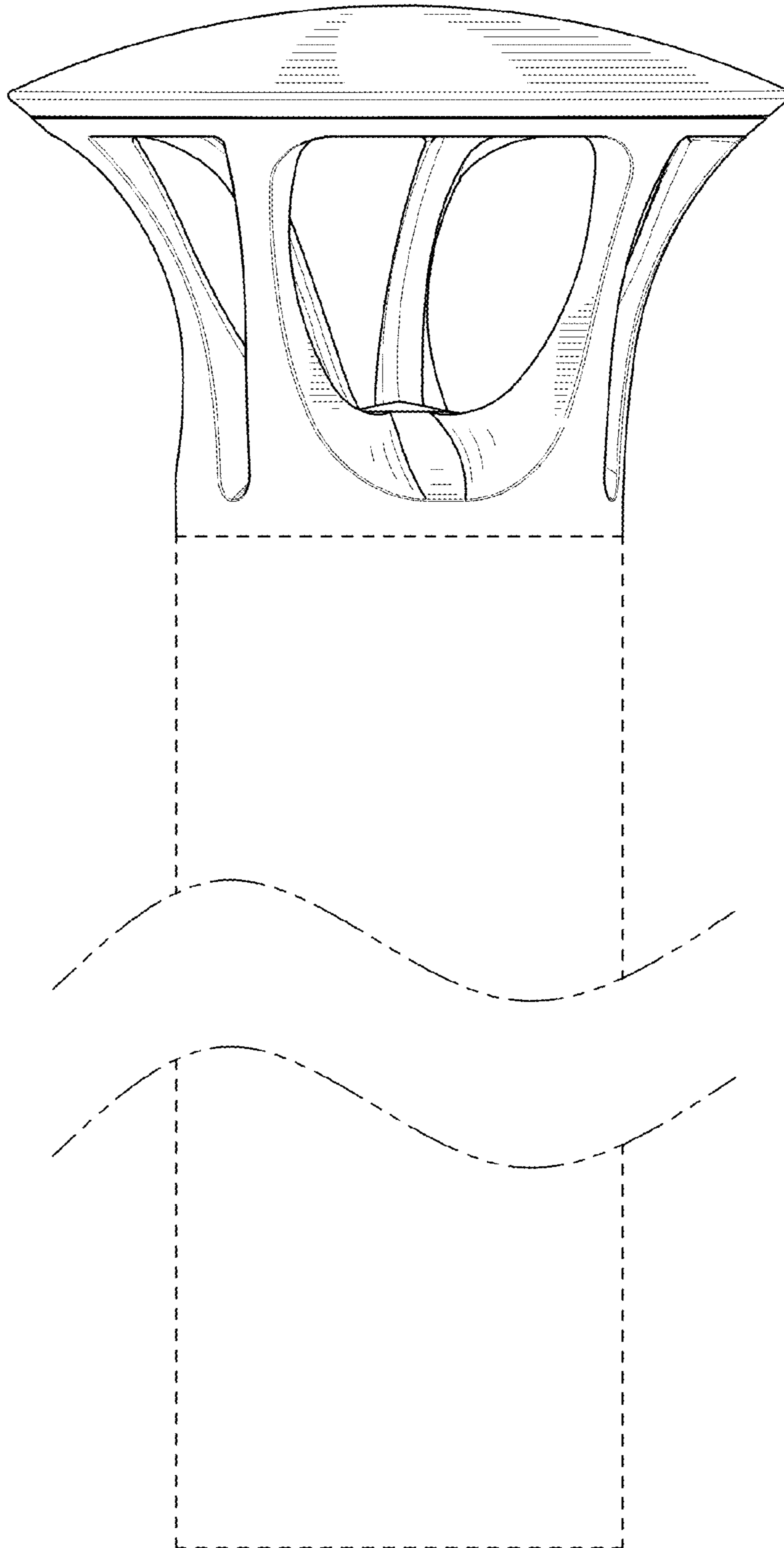


FIG. 10

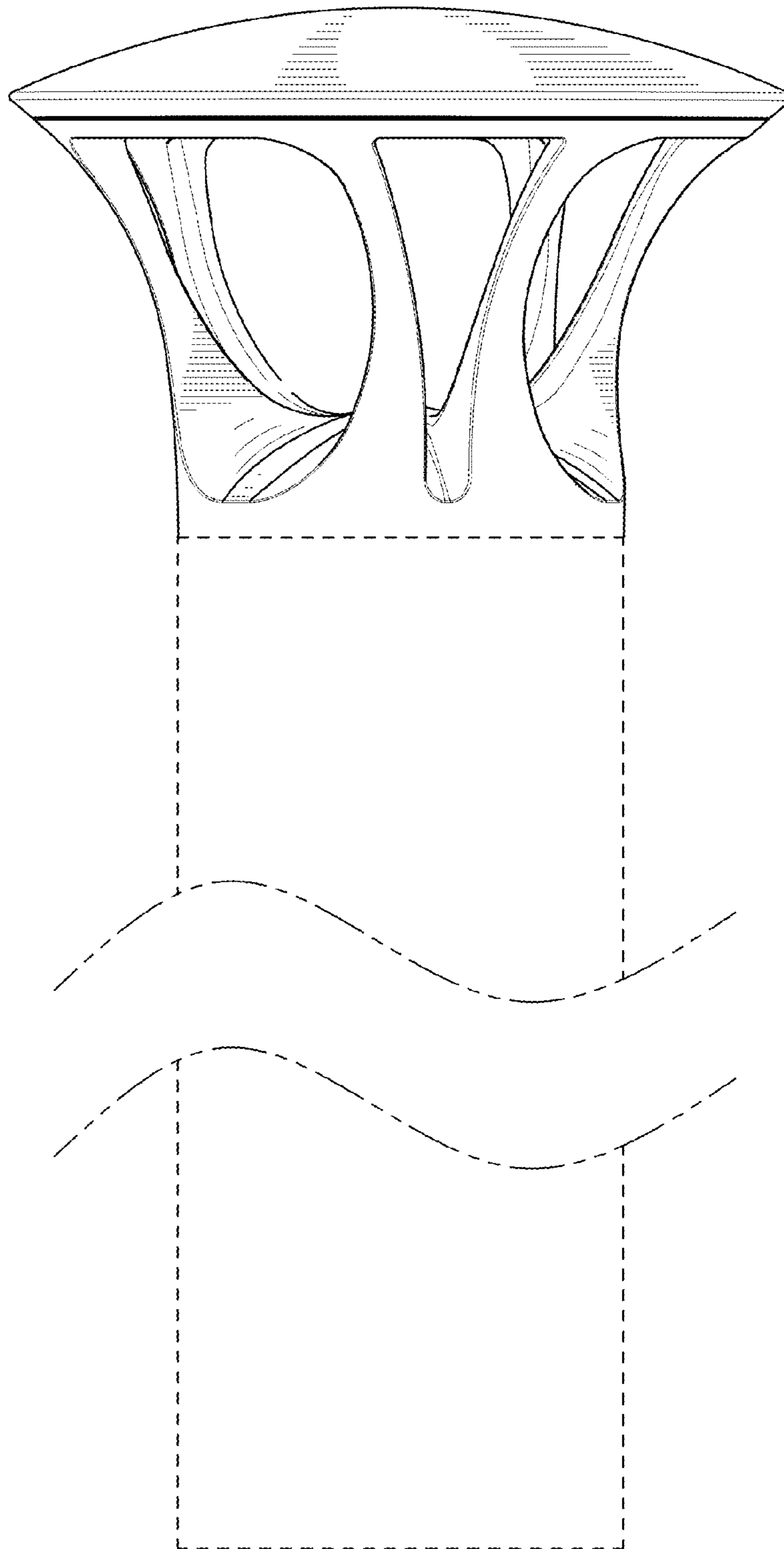


FIG. 11

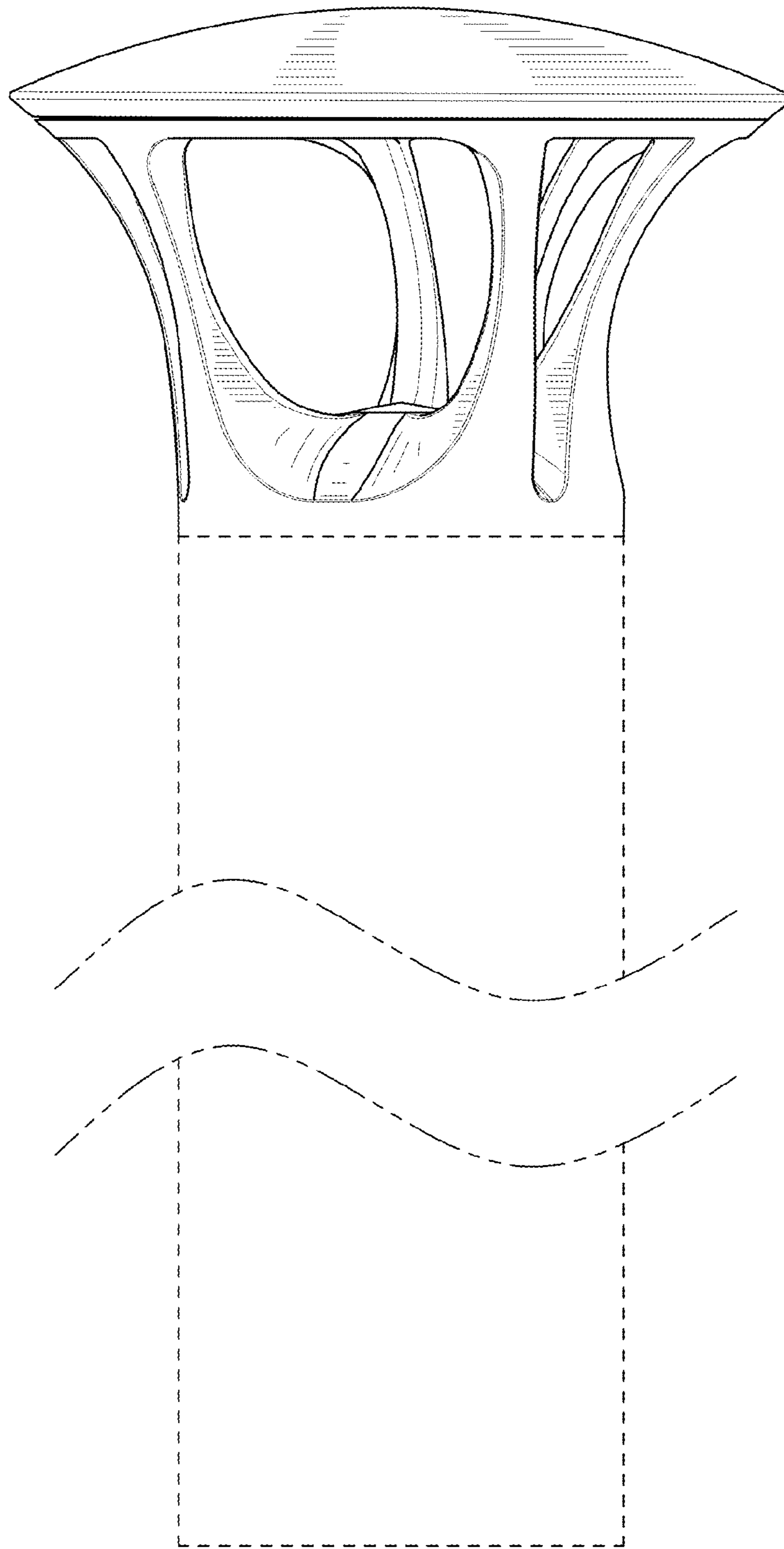


FIG. 12

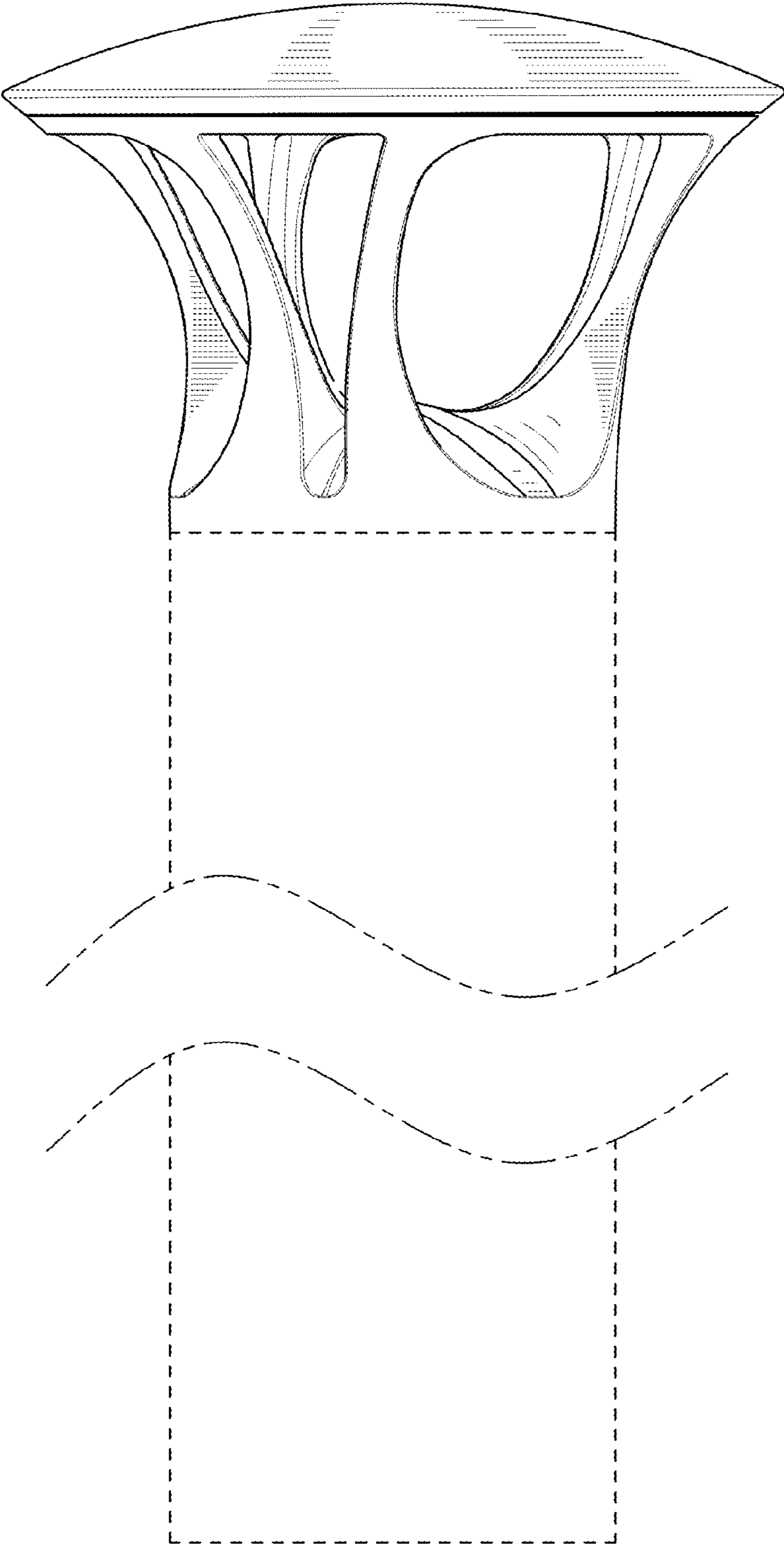


FIG. 13

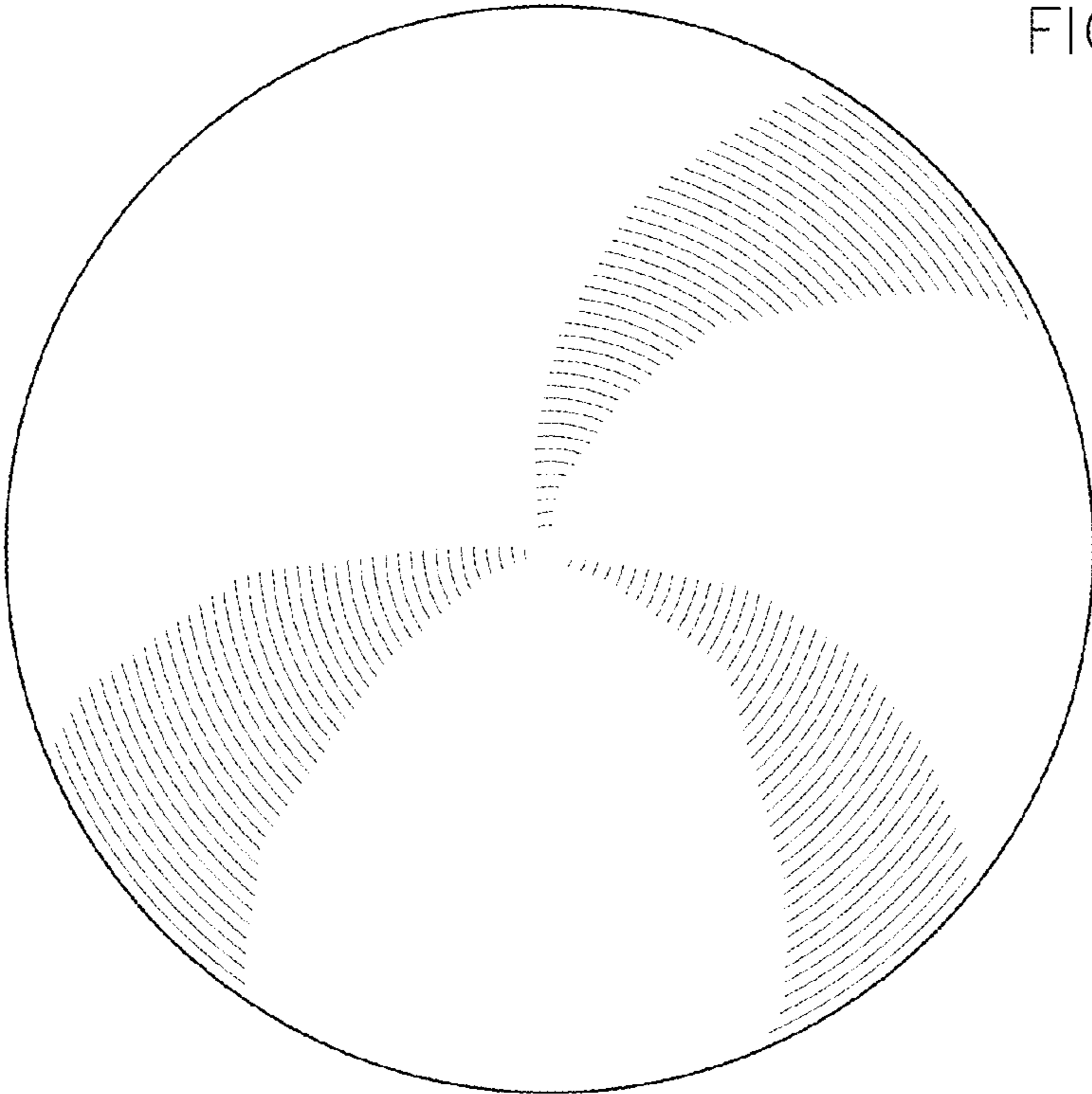


FIG. 14

