



US00D748313S

(12) **United States Design Patent**  
**Grundl et al.**

(10) **Patent No.:** **US D748,313 S**

(45) **Date of Patent:** **\*\* Jan. 26, 2016**

(54) **SPOTLIGHT**

(56) **References Cited**

(71) Applicant: **ZUMTOBEL LIGHTING GMBH,**  
Lemgo (DE)

U.S. PATENT DOCUMENTS

(72) Inventors: **Harald Grundl,** Vienna (AT); **Gernot Bohmann,** Vienna (AT); **Martin Bergmann,** Vienna (AT)

D331,294 S *	11/1992	Wereley .....	D26/63
D541,456 S *	4/2007	Kosche .....	D26/63
D563,579 S *	3/2008	Grimberg .....	D26/61
D587,832 S *	3/2009	Bergmann et al. ....	D26/63
D598,594 S *	8/2009	Behar .....	D26/63
D627,498 S *	11/2010	Chipperfield .....	D26/63
D631,588 S *	1/2011	Bergmann et al. ....	D26/63

(73) Assignee: **ZUMTOBEL LIGHTING GMBH,**  
Lemgo (DE)

\* cited by examiner

(\*\*) Term: **14 Years**

*Primary Examiner* — Brian N Vinson

(21) Appl. No.: **29/482,255**

(74) *Attorney, Agent, or Firm* — Marshall, Gerstein & Borun LLP

(22) Filed: **Feb. 17, 2014**

(57) **CLAIM**

The ornamental design for a spotlight, as shown and described.

(30) **Foreign Application Priority Data**

**DESCRIPTION**

Aug. 19, 2013 (EM) ..... 001 380 752

(51) **LOC (10) Cl.** ..... **26-03**

(52) **U.S. Cl.**  
USPC ..... **D26/63**

(58) **Field of Classification Search**  
USPC ..... D26/1, 24, 61, 63, 65, 85, 92  
CPC ..... F21V 21/14; F21V 15/01; F21V 14/02;  
F21V 21/30; F21V 21/00; F21V 14/00;  
F21S 8/00; F21S 8/003; F21S 8/043; F21Y  
2105/001

FIG. 1 is a front, top, and right side perspective view of a spotlight showing our new design:

FIG. 2 is a right elevation view of the spotlight.

FIG. 3 is a left elevation view of the spotlight.

FIG. 4 is a front elevation view of the spotlight.

FIG. 5 is a rear elevation view of the spotlight.

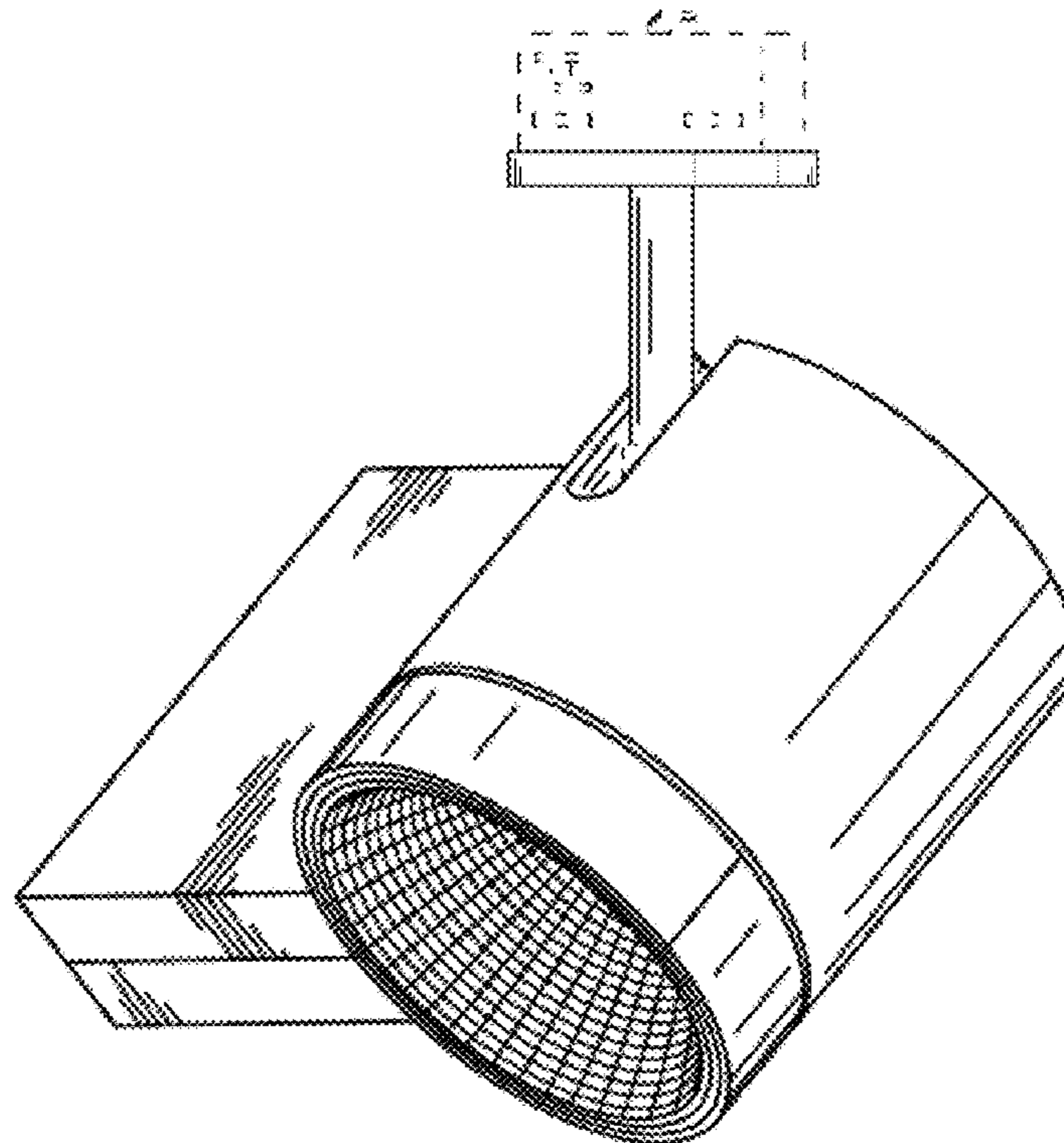
FIG. 6 is a bottom plan view of the spotlight; and,

FIG. 7 is a top plan view of the spotlight.

The broken line disclosure represents portions of the spotlight which form no part of the claimed design.

See application file for complete search history.

**1 Claim, 7 Drawing Sheets**



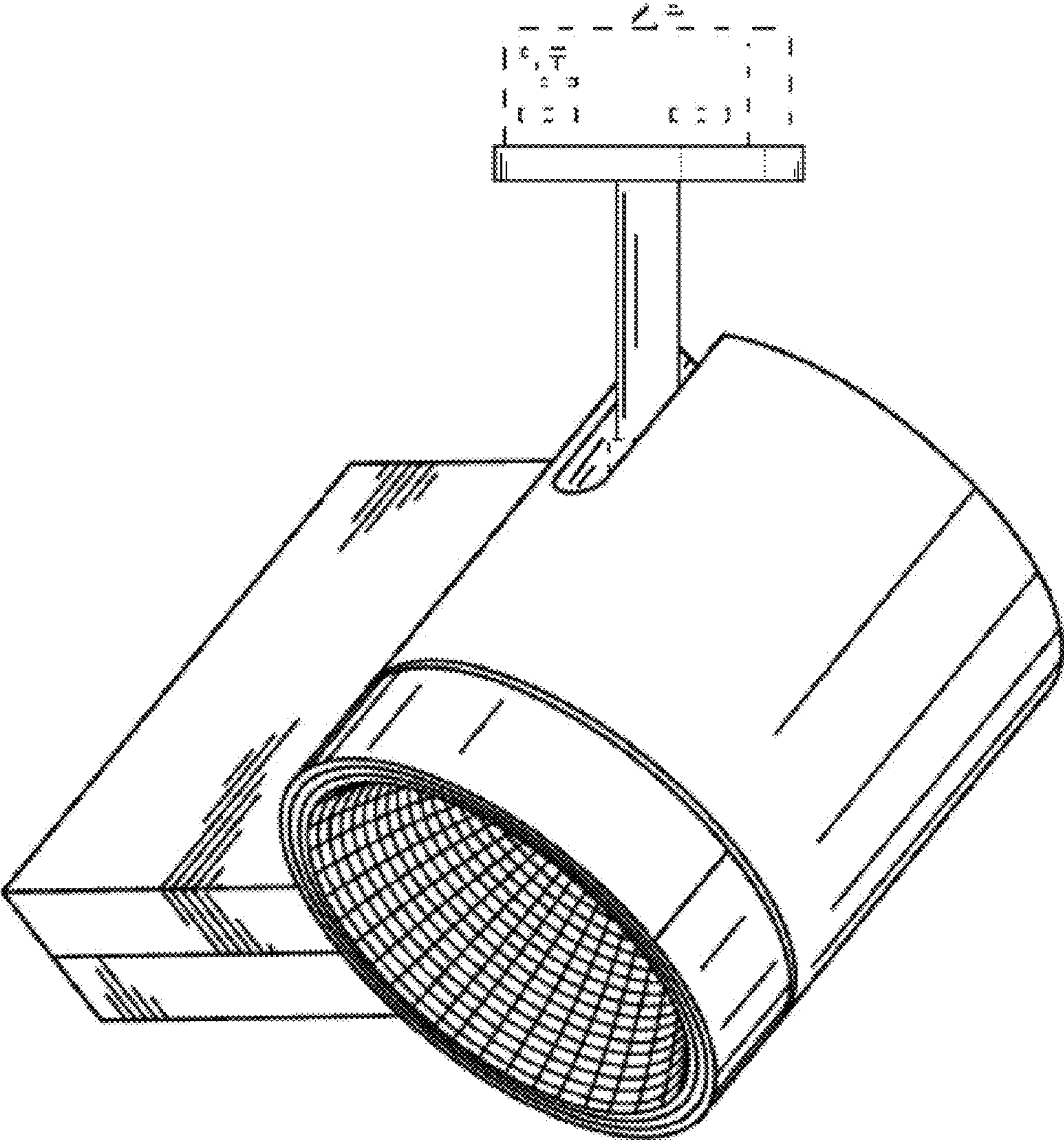


Fig. 1

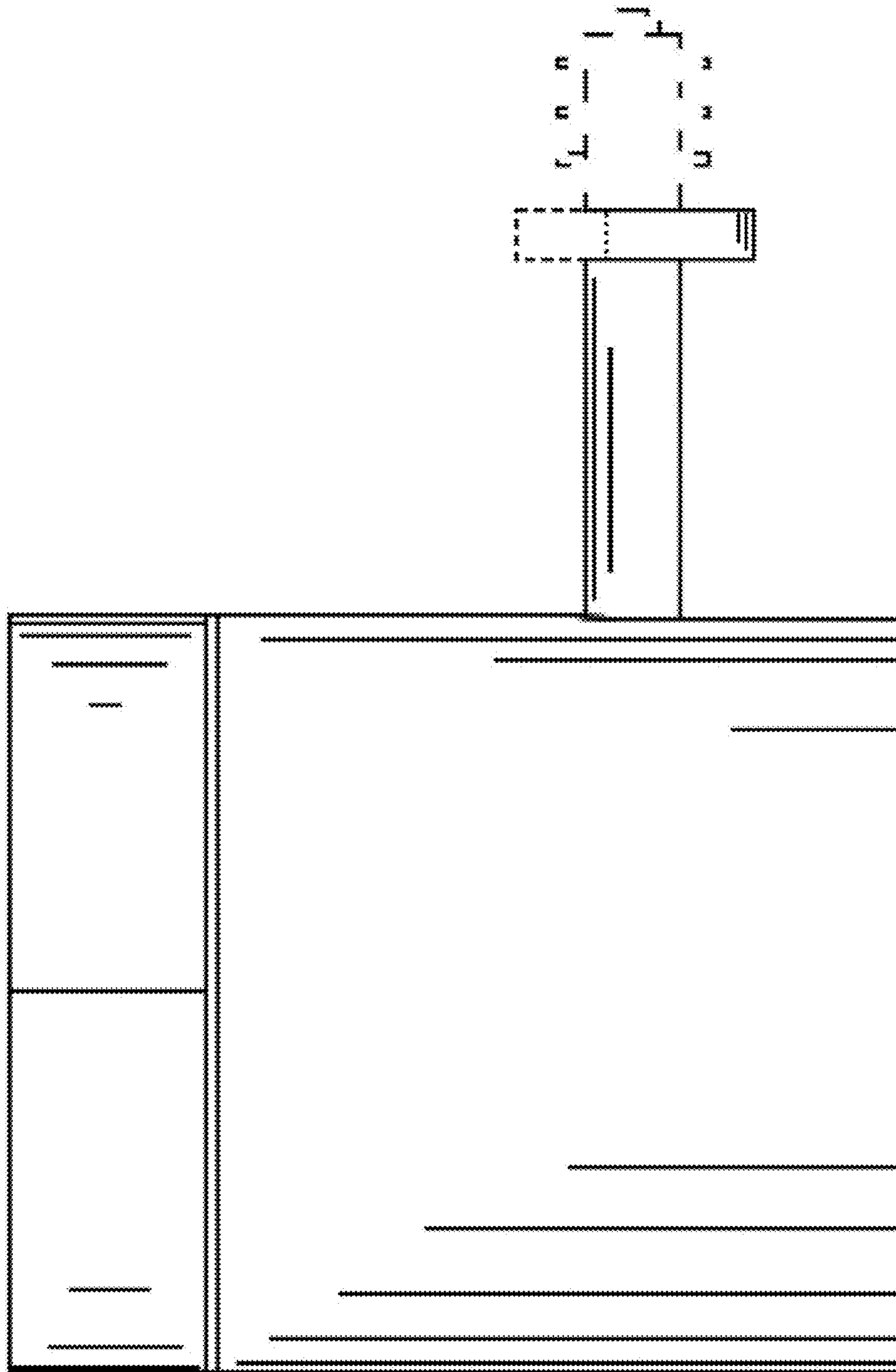


Fig. 2

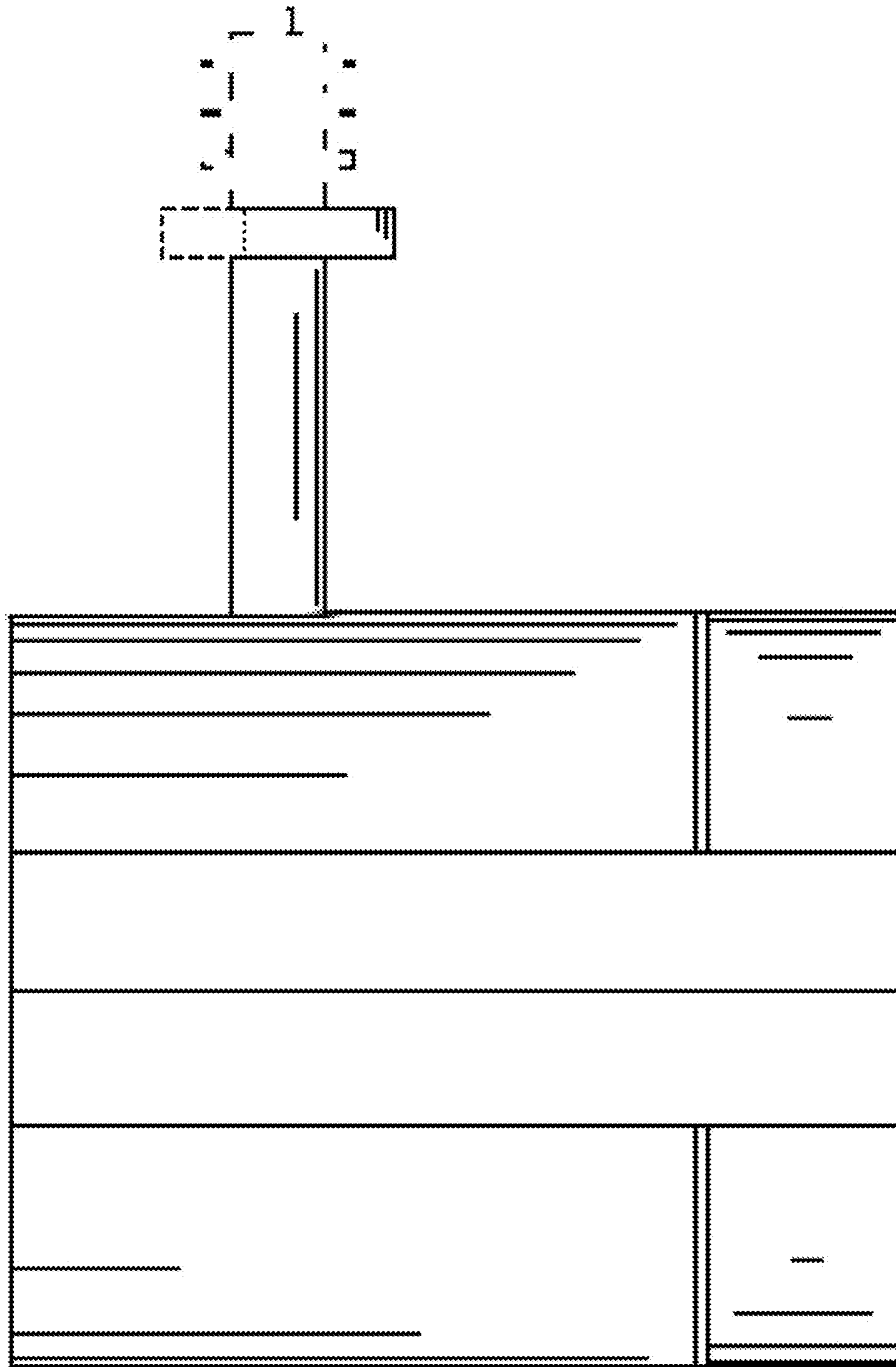


Fig. 3

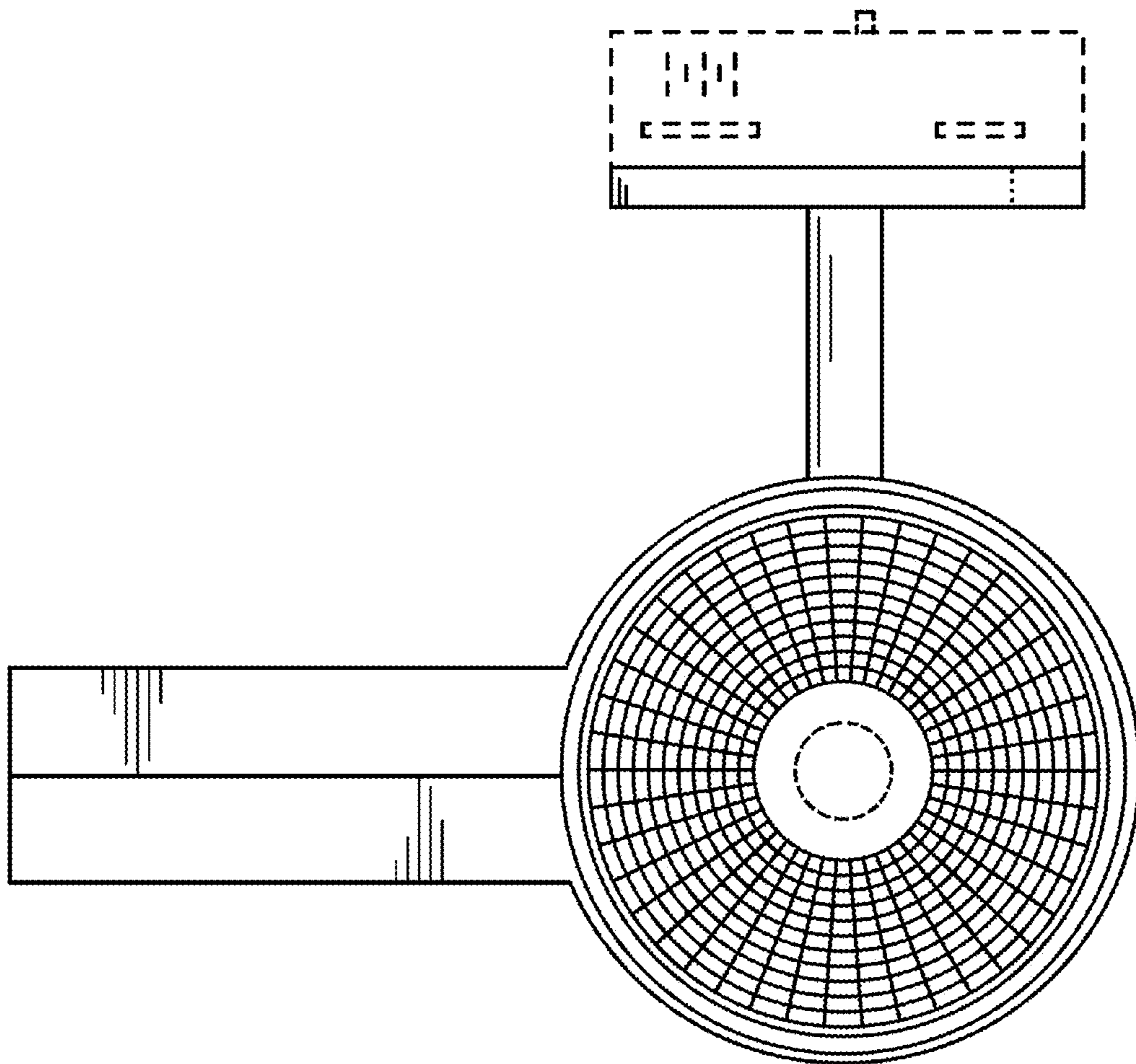


Fig. 4

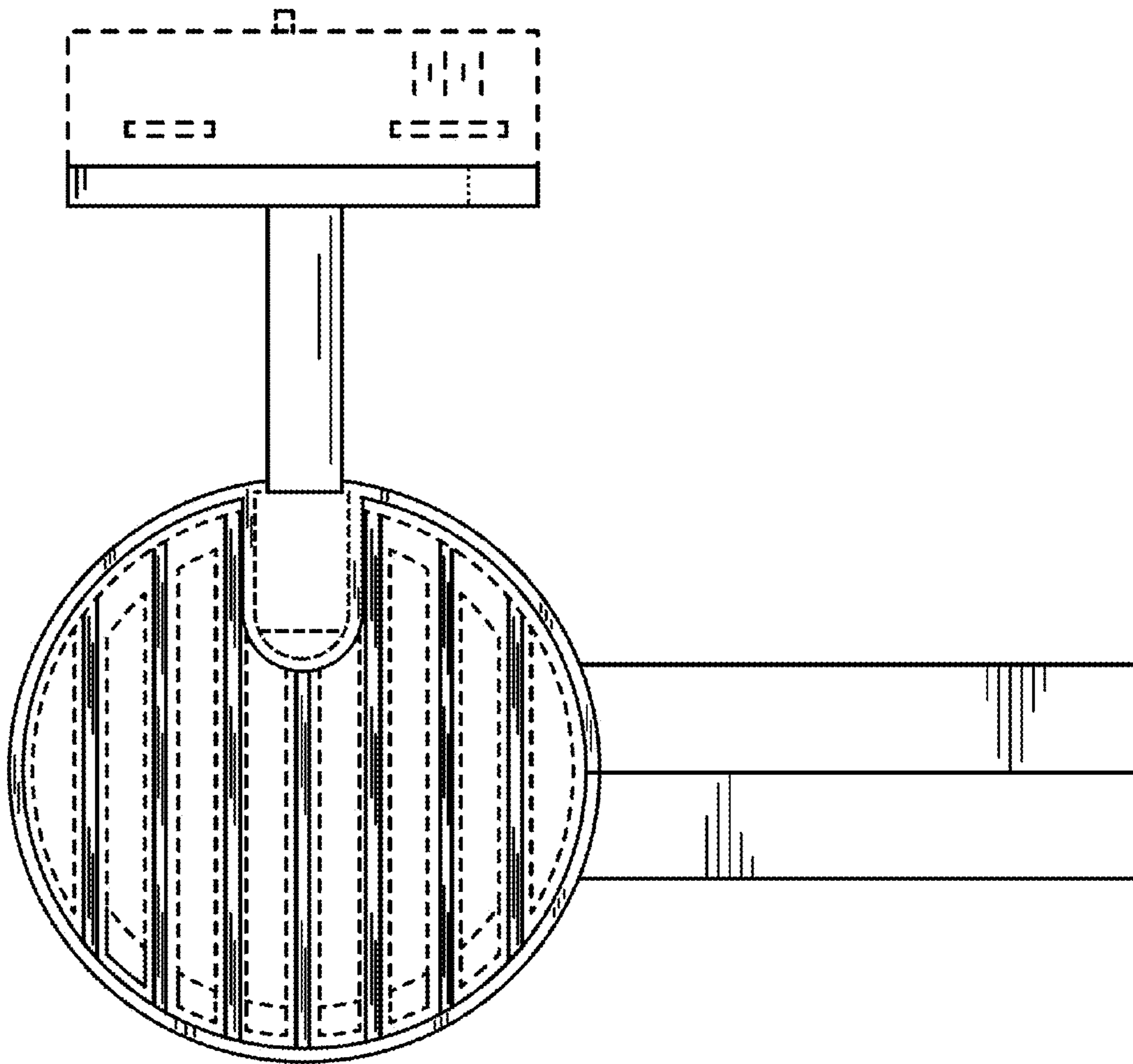


Fig. 5

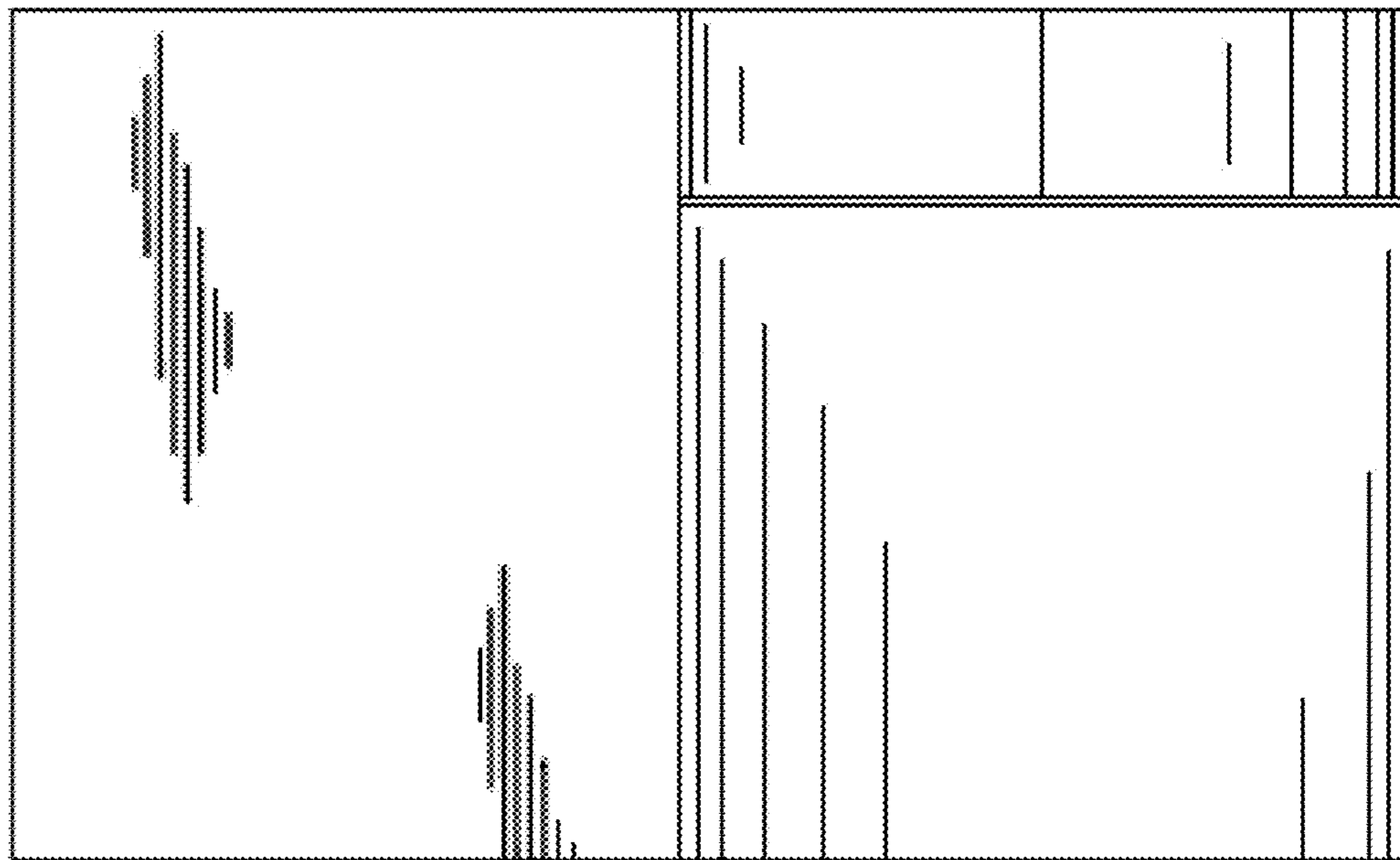


Fig. 6

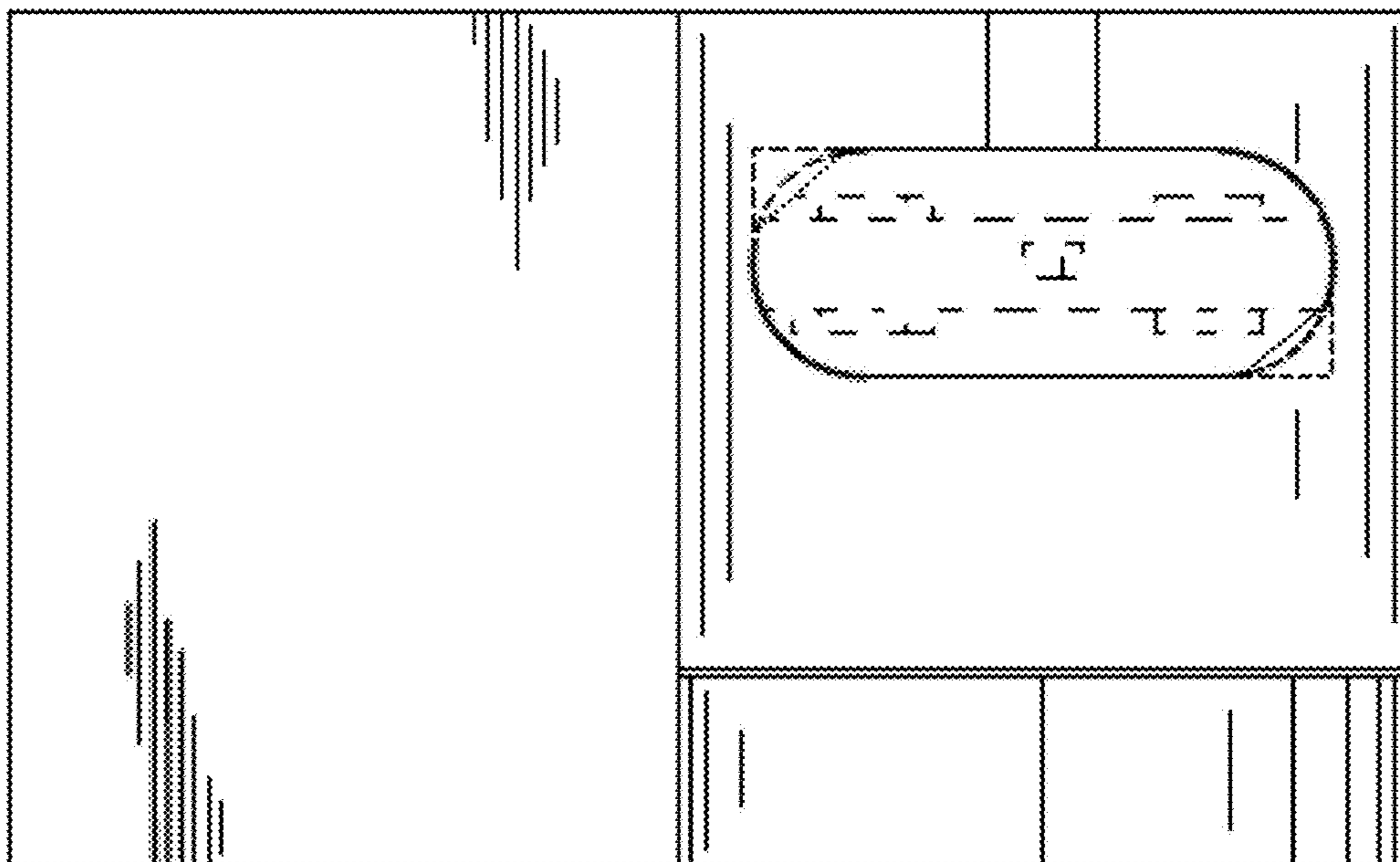


Fig. 7



UNITED STATES PATENT AND TRADEMARK OFFICE  
**CERTIFICATE OF CORRECTION**

PATENT NO. : D748,313 S  
APPLICATION NO. : 29/482255  
DATED : January 26, 2016  
INVENTOR(S) : Harald Gründl et al.

Page 1 of 1

It is certified that error appears in the above-identified patent and that said Letters Patent is hereby corrected as shown below:

On the Title Page:

At item (72), line 1, "Harald Grundl" should be -- Harald Gründl --.

Signed and Sealed this  
Tenth Day of May, 2016



Michelle K. Lee  
*Director of the United States Patent and Trademark Office*