



US00D748310S

(12) **United States Design Patent**  
**Inskeep**

(10) **Patent No.:** **US D748,310 S**  
(45) **Date of Patent:** **\*\* Jan. 26, 2016**

(54) **SPOTLIGHT**

(71) Applicant: **Mathew Inskeep**, Highland Beach, FL  
(US)

(72) Inventor: **Mathew Inskeep**, Highland Beach, FL  
(US)

(\*\*) Term: **14 Years**

(21) Appl. No.: **29/492,014**

(22) Filed: **May 28, 2014**

(51) **LOC (10) Cl.** ..... **26-02**

(52) **U.S. Cl.**  
USPC ..... **D26/45**

(58) **Field of Classification Search**  
USPC ..... D26/37, 38, 40, 41, 45, 46, 49, 48, 50;  
362/157, 158, 183, 184, 194-196,  
362/200-208

CPC ..... F21V 33/00; F21V 14/025; F21V 21/46;  
F21Y 2101/02; F21L 17/00; F21L 13/08;  
F21L 2001/00; F21L 14/02

See application file for complete search history.

(56) **References Cited**

**U.S. PATENT DOCUMENTS**

D462,470 S \* 9/2002 Krieger ..... D26/45  
D504,533 S \* 4/2005 Hussaini ..... D26/45  
D504,969 S \* 5/2005 Hussaini ..... D26/45  
D532,541 S \* 11/2006 Krieger ..... D26/45

D603,540 S \* 11/2009 Shum ..... D26/45  
D611,631 S \* 3/2010 Hsu ..... D26/40  
D628,326 S \* 11/2010 Ng ..... D26/45  
D649,274 S \* 11/2011 Bertken ..... D26/41  
D662,240 S \* 6/2012 Inskeep ..... D26/45  
D673,705 S \* 1/2013 Inskeep ..... D26/45  
D673,706 S \* 1/2013 Inskeep ..... D26/45  
D673,707 S \* 1/2013 Inskeep ..... D26/45  
D702,383 S \* 4/2014 Inskeep ..... D26/45  
D711,029 S \* 8/2014 Schnell ..... D26/45

\* cited by examiner

*Primary Examiner* — Ian Simmons

*Assistant Examiner* — Carissa C Fitts

(57) **CLAIM**

The ornamental design for a spotlight, as shown and described.

**DESCRIPTION**

FIG. 1 is a top perspective view of the spotlight showing my new design.

FIG. 2 is a bottom perspective view.

FIG. 3 is a top view.

FIG. 4 is a bottom view.

FIG. 5 is right side view thereof.

FIG. 6 is a front view thereof.

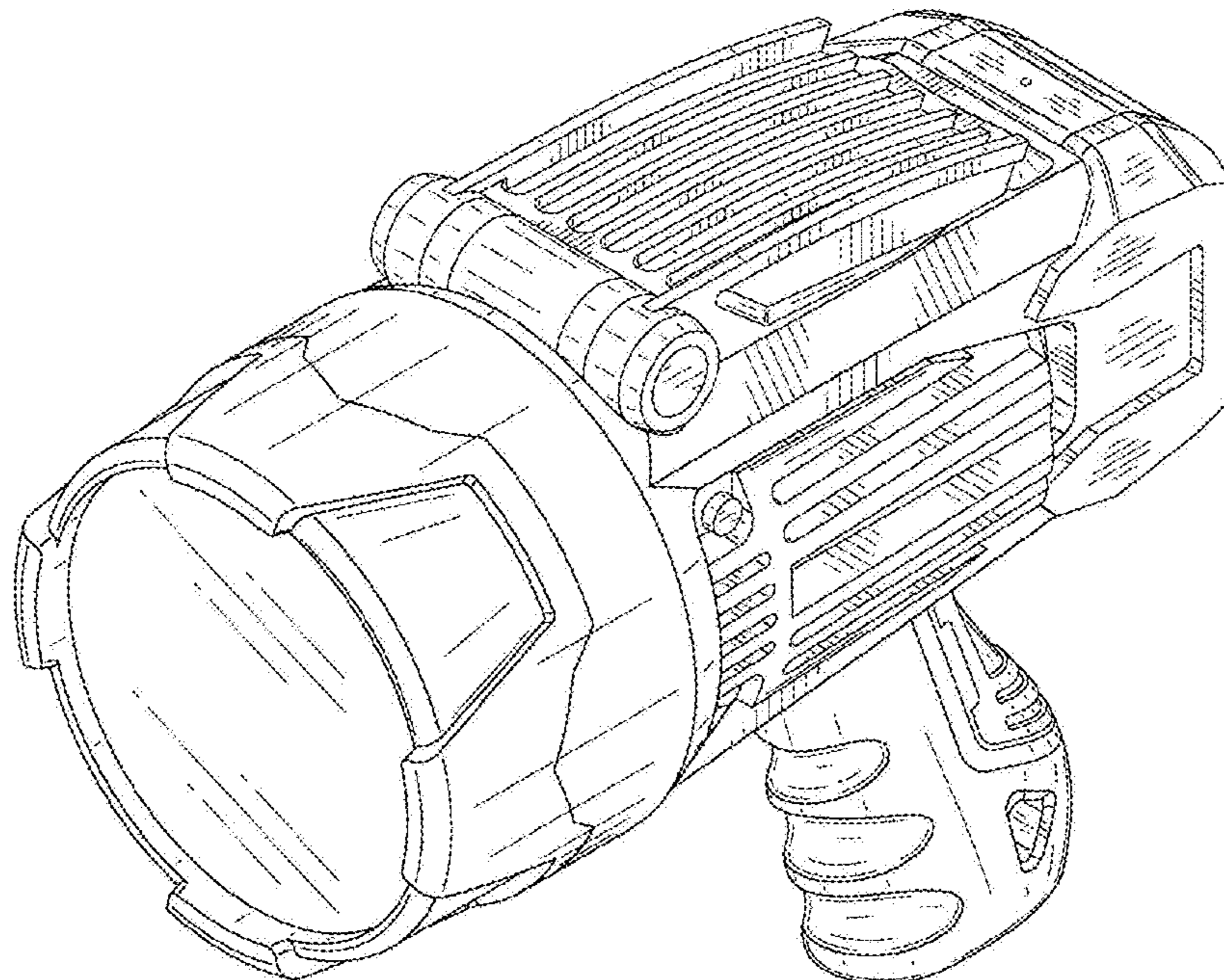
FIG. 7 is a back view thereof.

FIG. 8 is a perspective view with the stand open.

FIG. 9 is a top view with the stand open; and,

FIG. 10 is a right side view with the stand open.

**1 Claim, 9 Drawing Sheets**



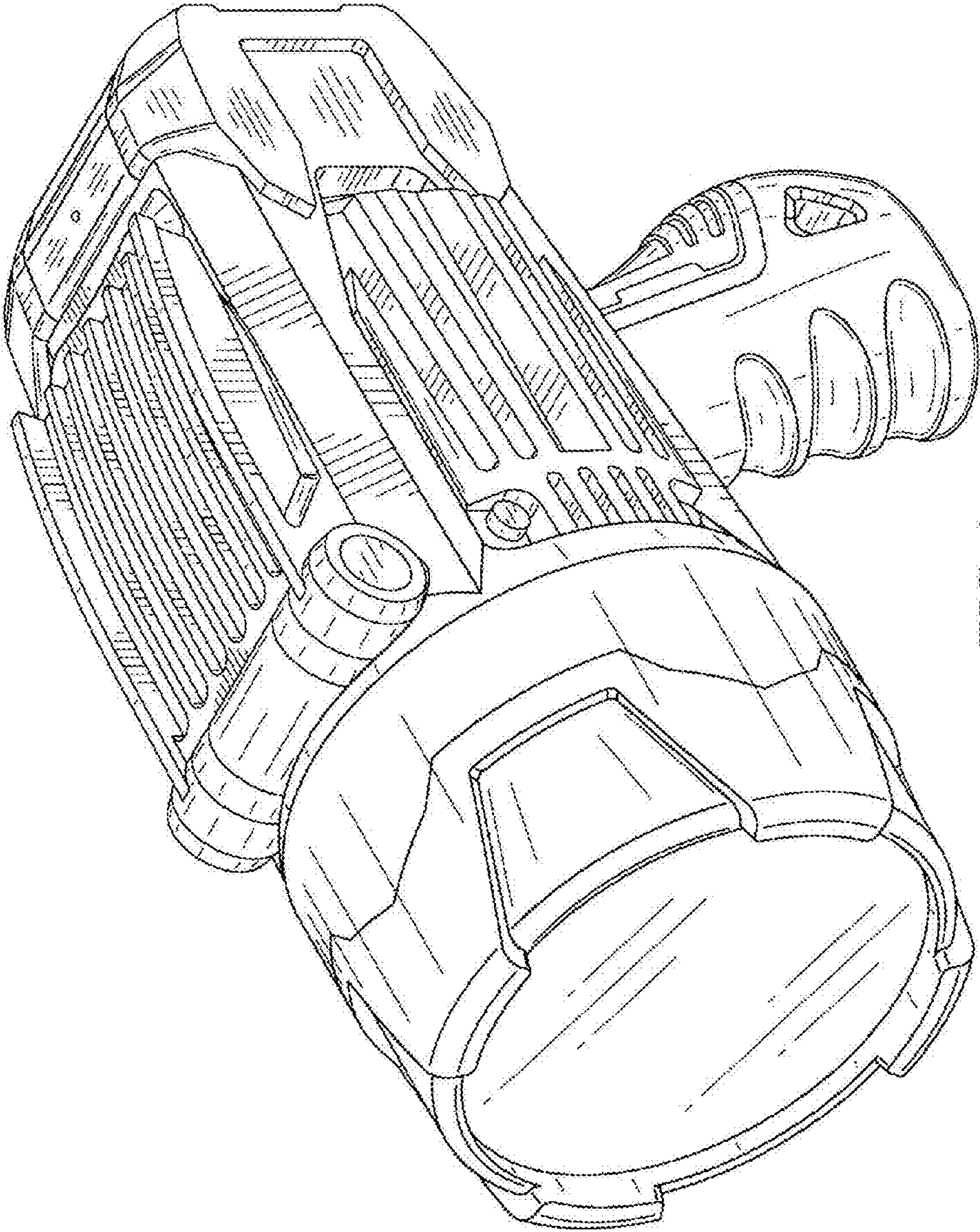


FIG. 1

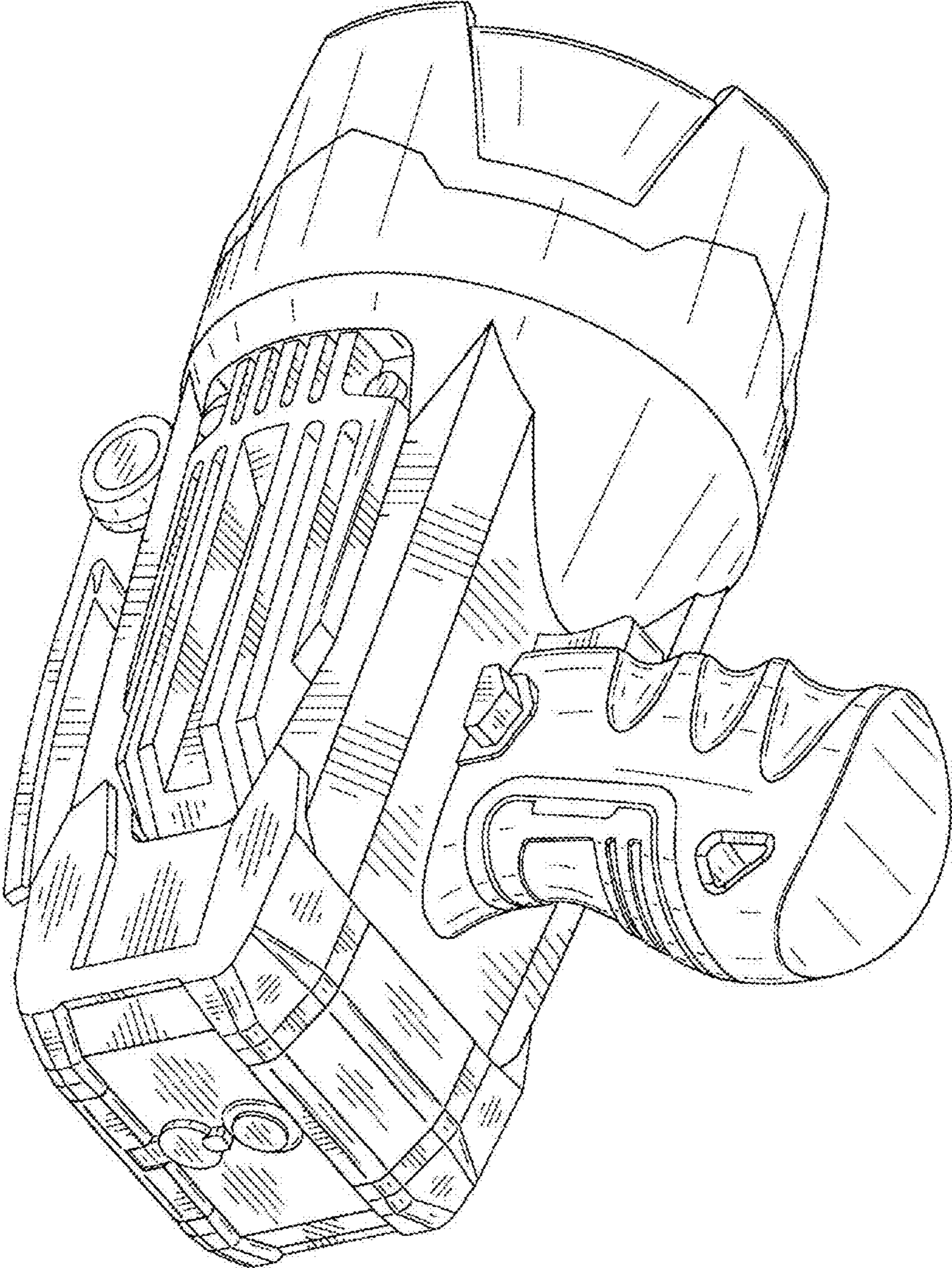


FIG. 2

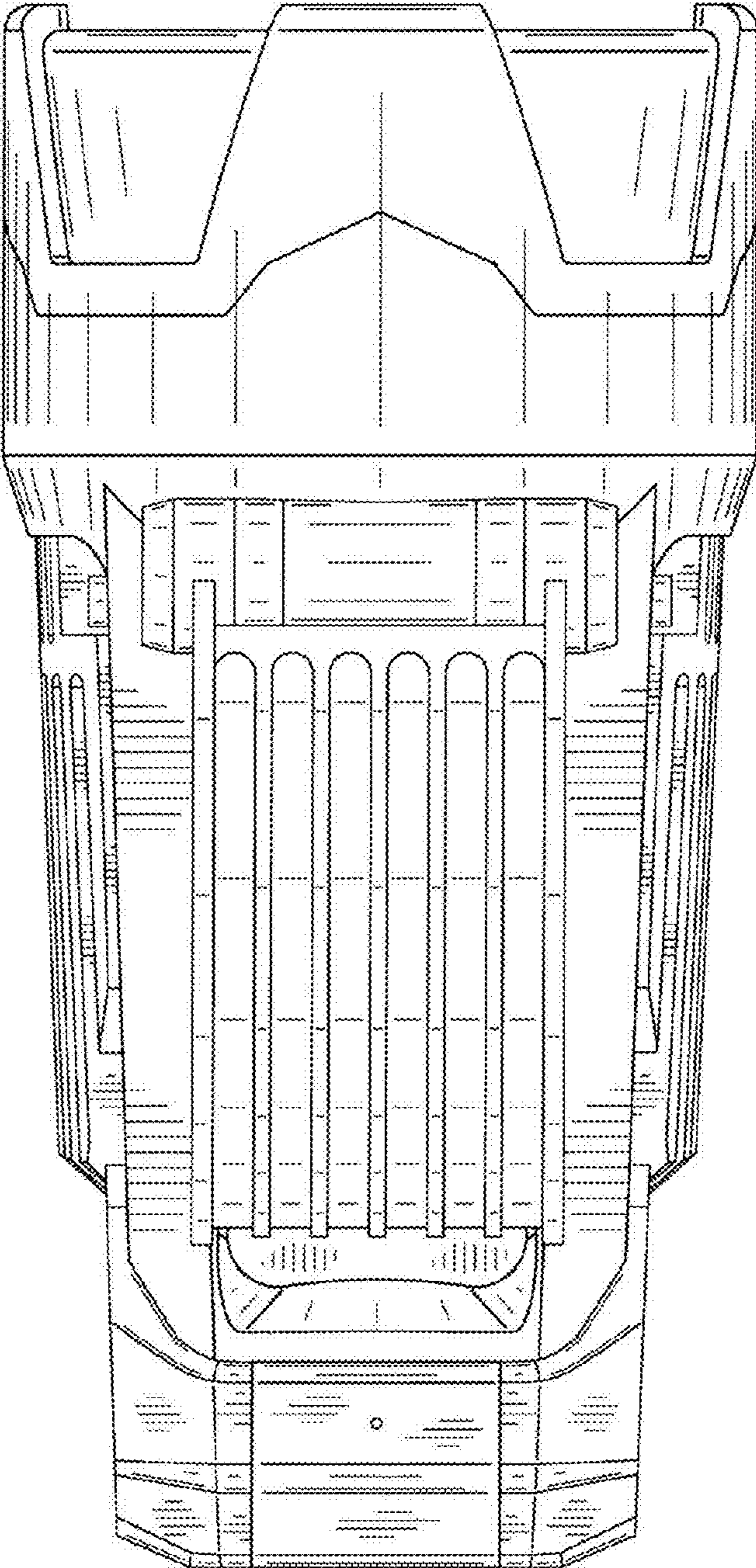


FIG. 3

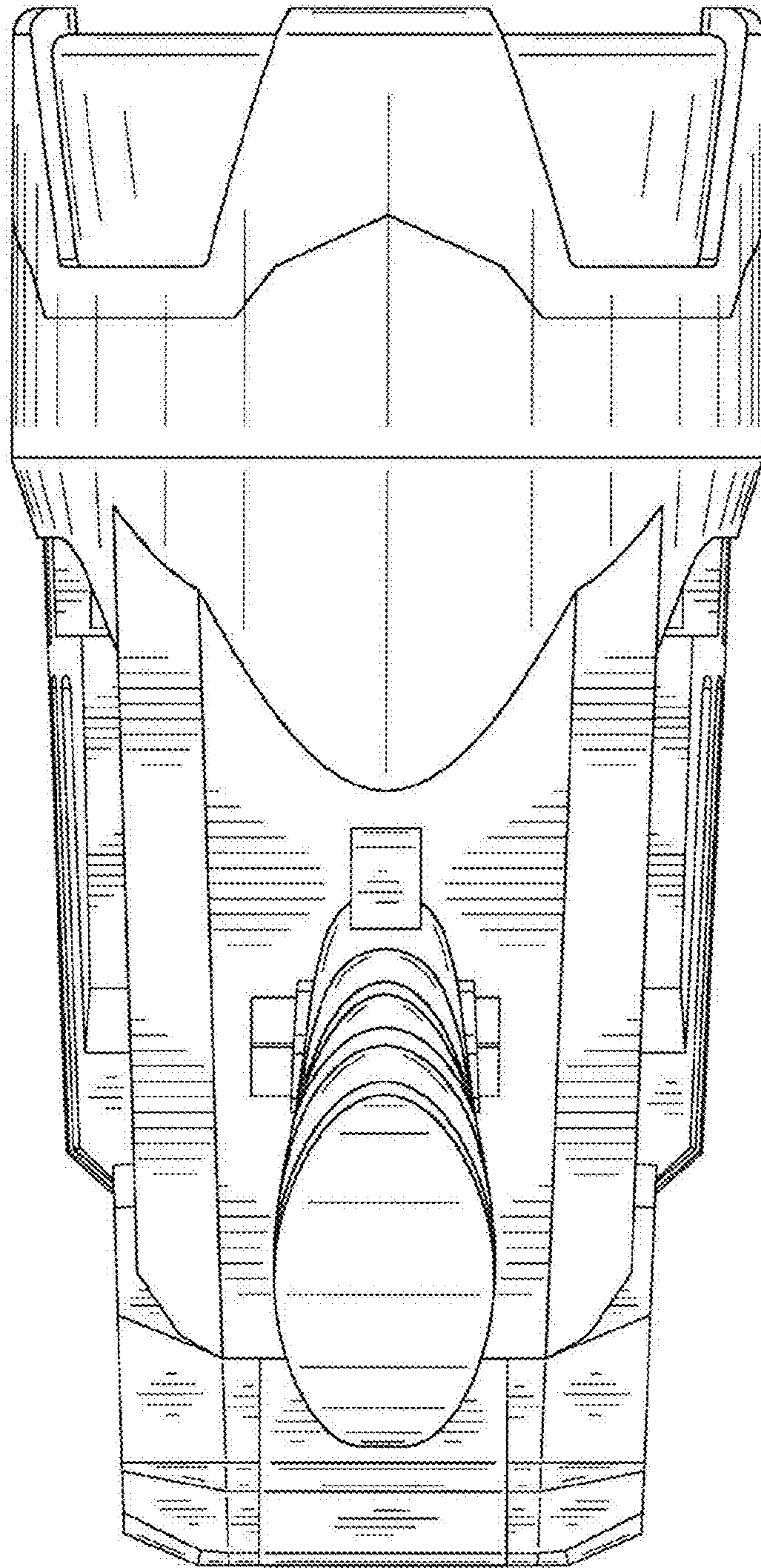


FIG. 4

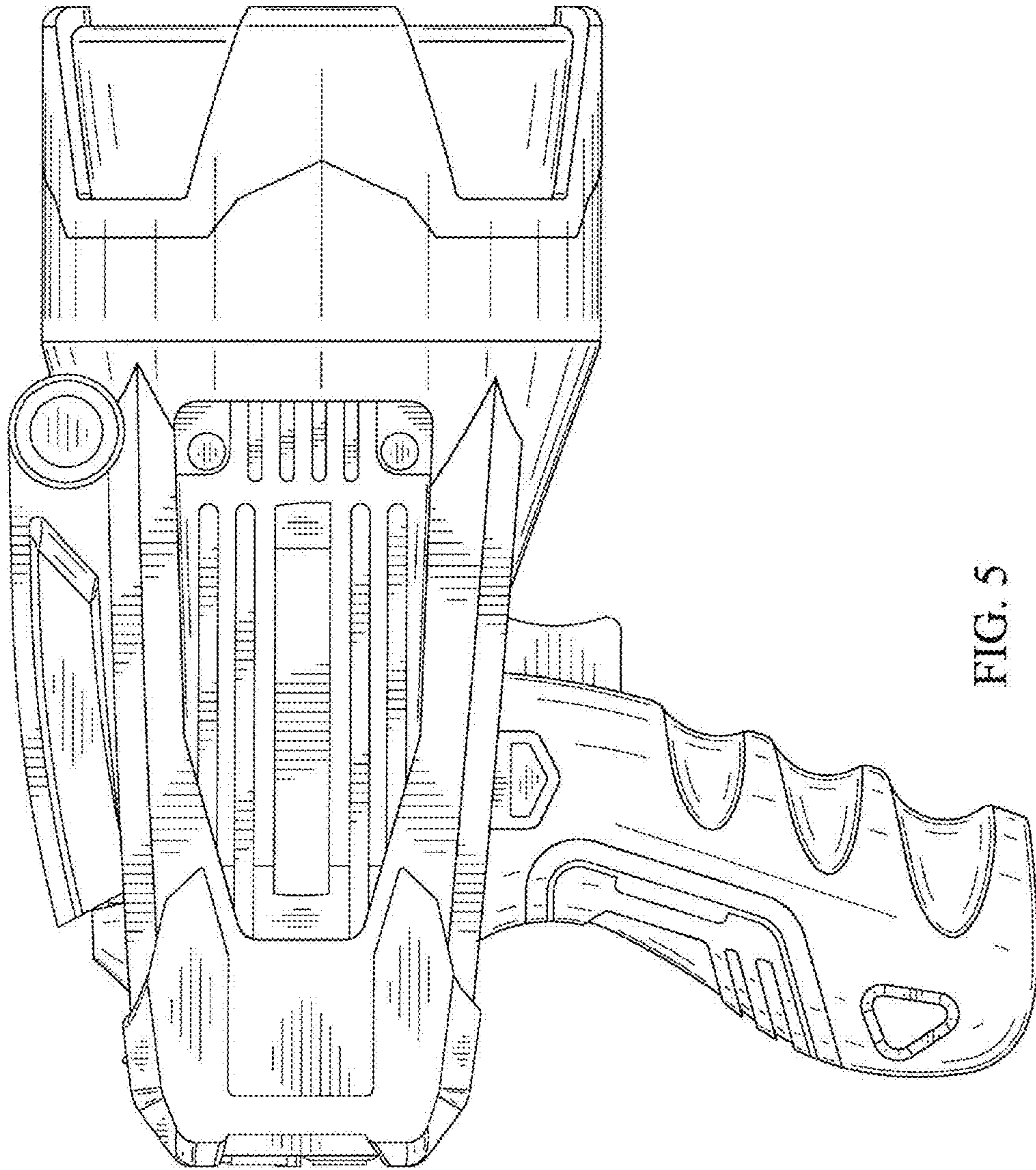


FIG. 5

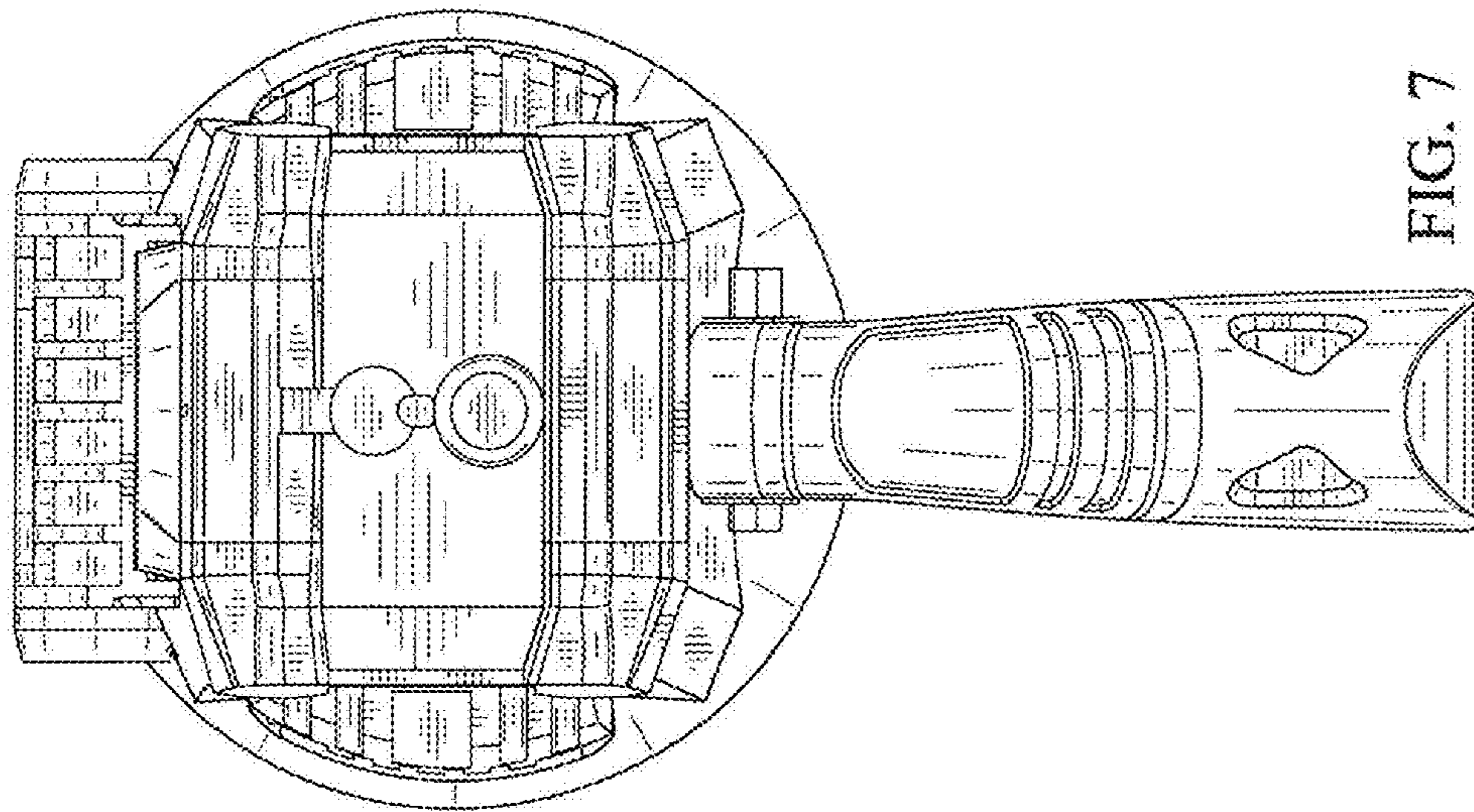


FIG. 7

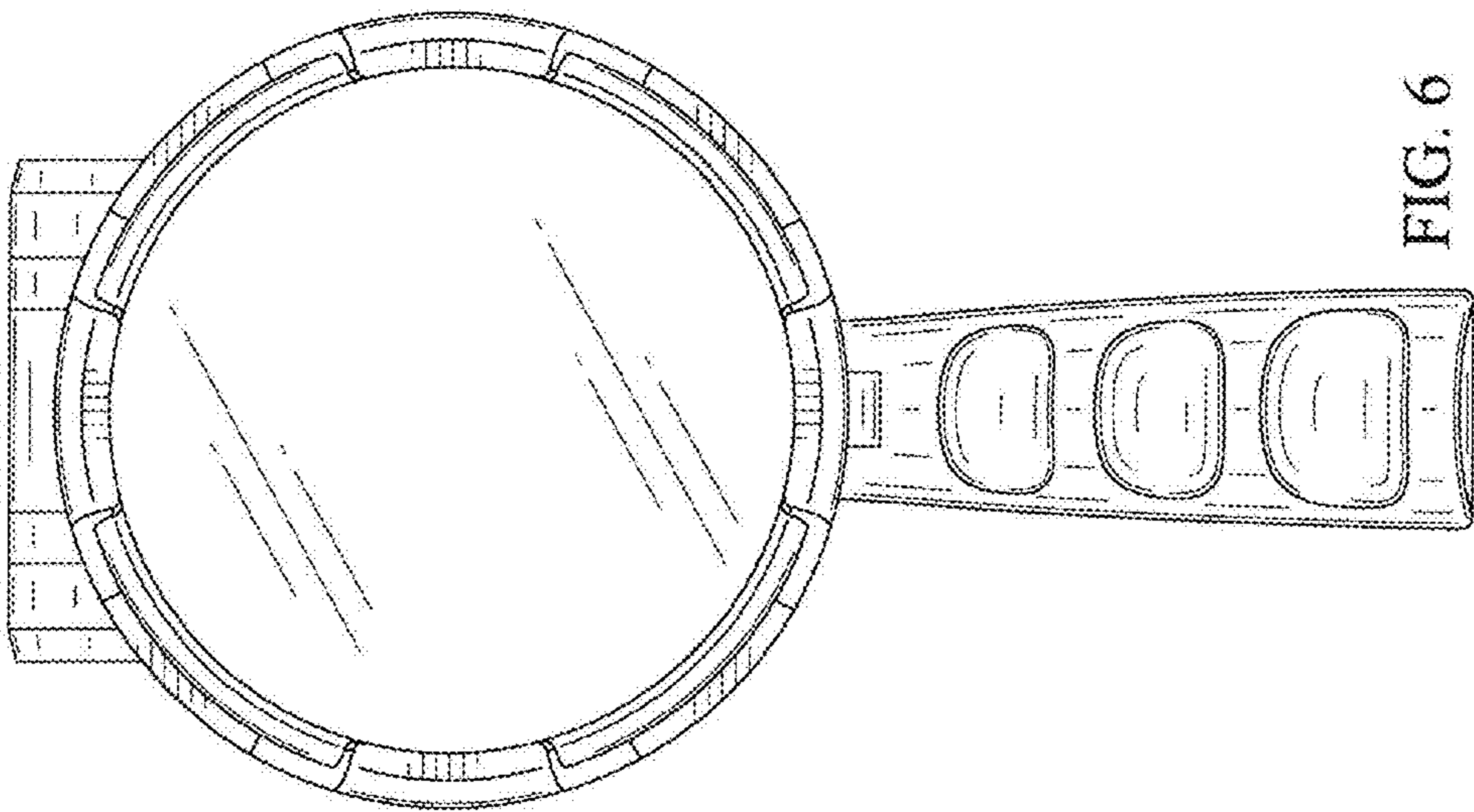


FIG. 6

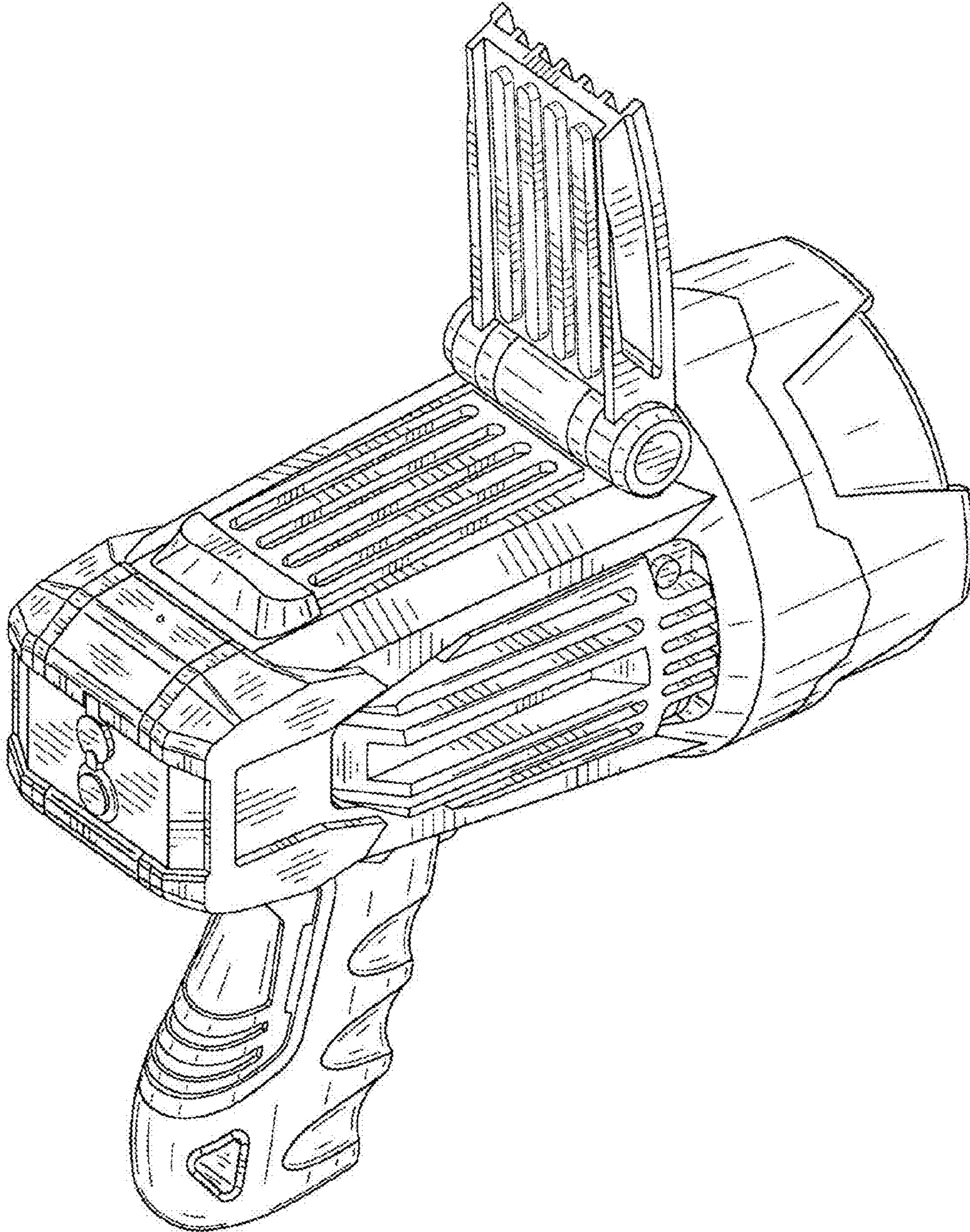


FIG. 8



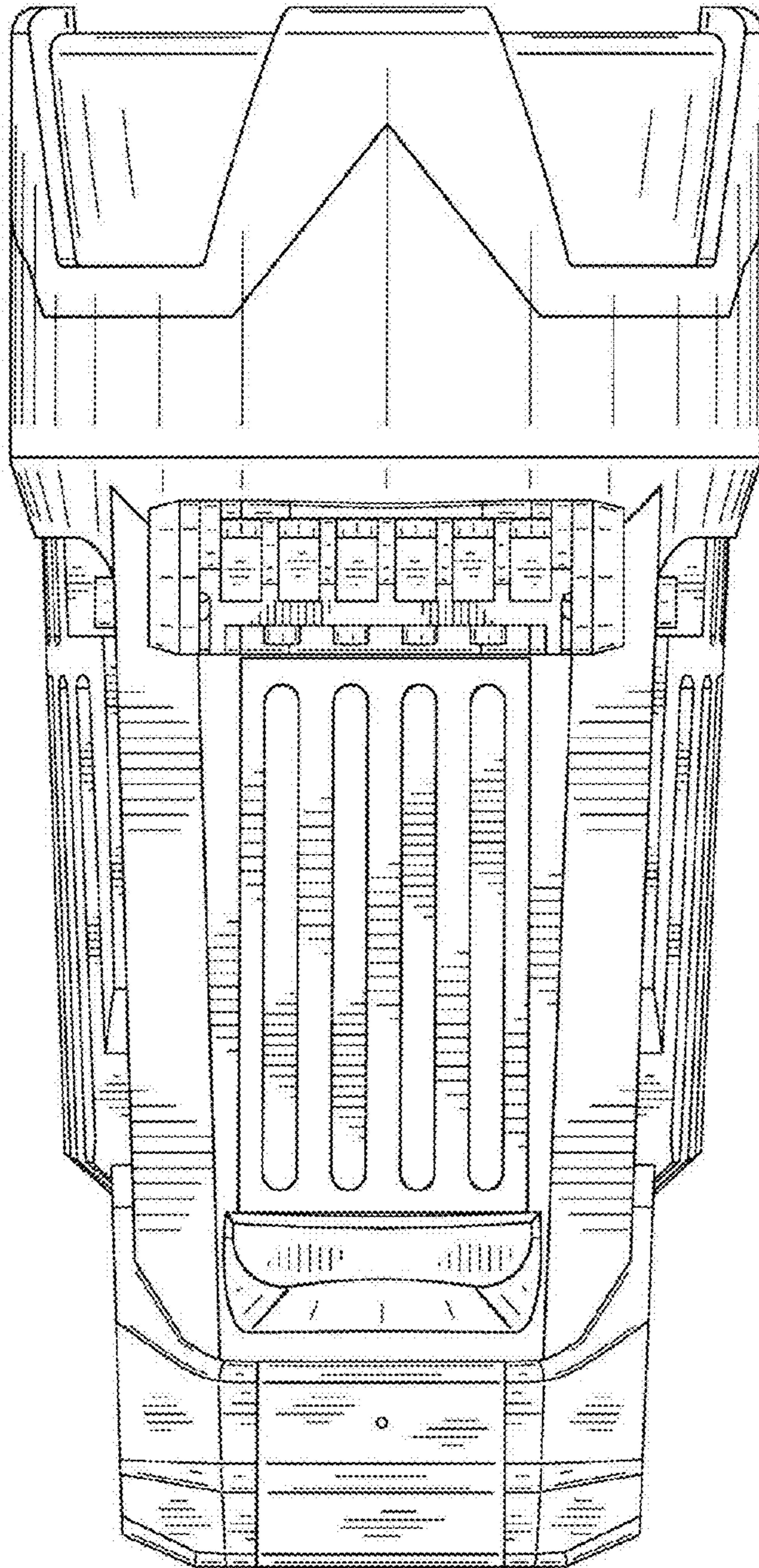


FIG. 9

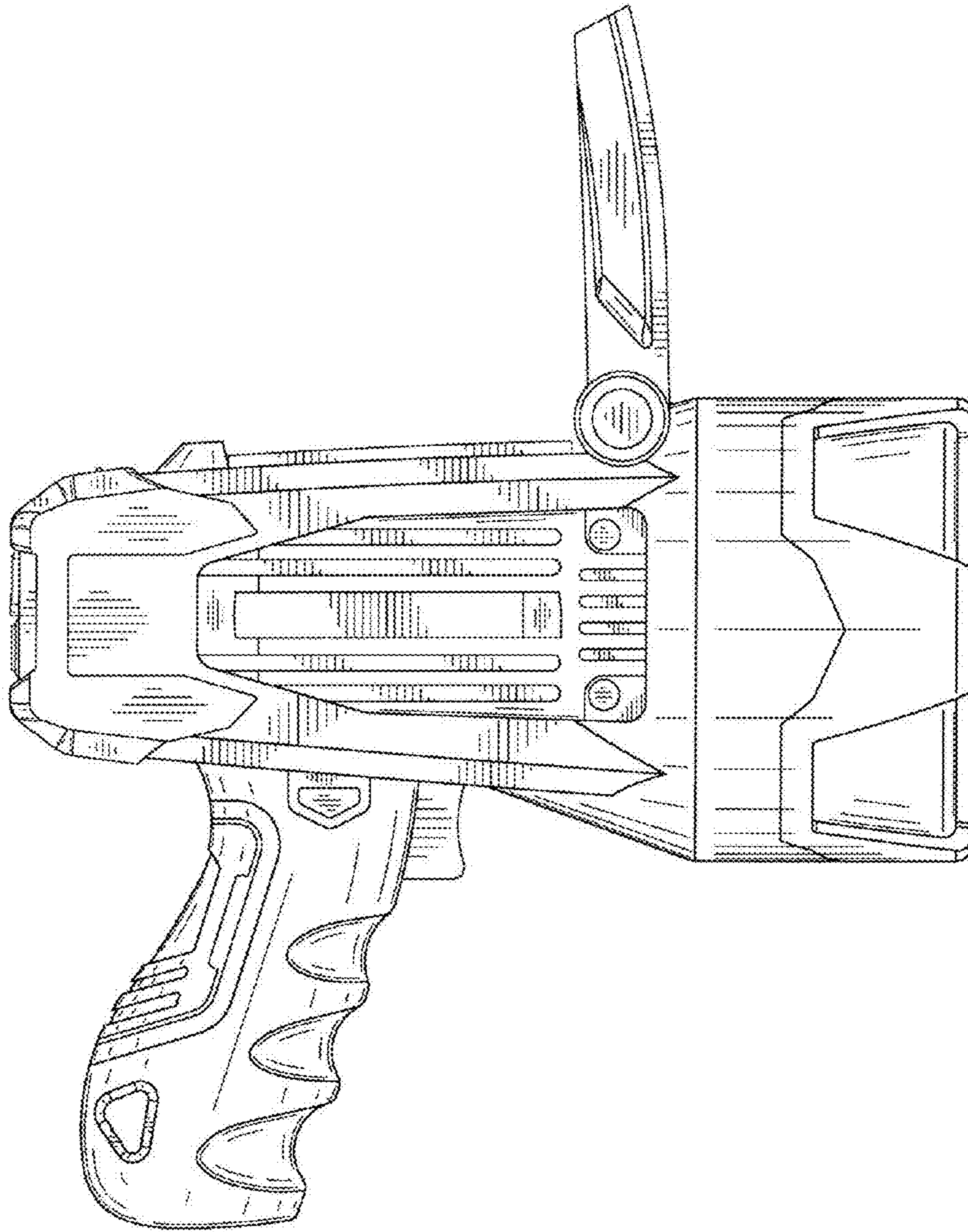


FIG. 10