



US00D748309S

(12) **United States Design Patent**
Cheng

(10) **Patent No.:** **US D748,309 S**
(45) **Date of Patent:** **** Jan. 26, 2016**

(54) **COMBINATION FLASHLIGHT STUN GUN**

(71) Applicant: **Cutting Edge Products Inc.,**
Winterville, NC (US)

(72) Inventor: **Liu Jian Cheng, Jiangsu Jingjian (CN)**

(73) Assignee: **Cutting Edge Products Inc.,**
Winterville, NC (US)

(**) Term: **14 Years**

(21) Appl. No.: **29/485,069**

(22) Filed: **Mar. 14, 2014**

(51) **LOC (10) Cl.** **26-02**

(52) **U.S. Cl.**
USPC **D26/38; D22/117**

(58) **Field of Classification Search**
USPC D26/37, 38, 40, 46, 49, 51; 362/158,
362/157, 183, 184, 194–196, 200–208,
362/253; D22/117–120; D28/88–89
CPC F21L 2/00; F21L 4/00; F21L 4/005;
F21L 17/00; F21L 13/08; F21L 2003/00;
F21L 2005/00; F21V 33/00; F21V 14/025;
F21V 21/406; F21Y 2101/02
See application file for complete search history.

(56) **References Cited**

U.S. PATENT DOCUMENTS

D646,346 S * 10/2011 Rae D22/117
D647,232 S * 10/2011 Liu D26/49
D666,344 S * 8/2012 Lee D26/49
D671,249 S 11/2012 Sheikh
D674,943 S 1/2013 Sheikh
D678,572 S * 3/2013 Zhang D26/49

D682,980 S 5/2013 Sheikh
D690,383 S 9/2013 Sheikh
D691,691 S 10/2013 Sheikh
D691,692 S 10/2013 Sheikh
D695,873 S 12/2013 Sheikh
D698,056 S * 1/2014 Forbes et al. D26/49
D706,476 S * 6/2014 Lee D26/49
D710,526 S * 8/2014 Lee D26/49
D719,694 S * 12/2014 Nawaz D26/38

* cited by examiner

Primary Examiner — Ian Simmons

Assistant Examiner — Carissa C Fitts

(74) *Attorney, Agent, or Firm* — Williams Mullen, PC;
Richard T. Matthews

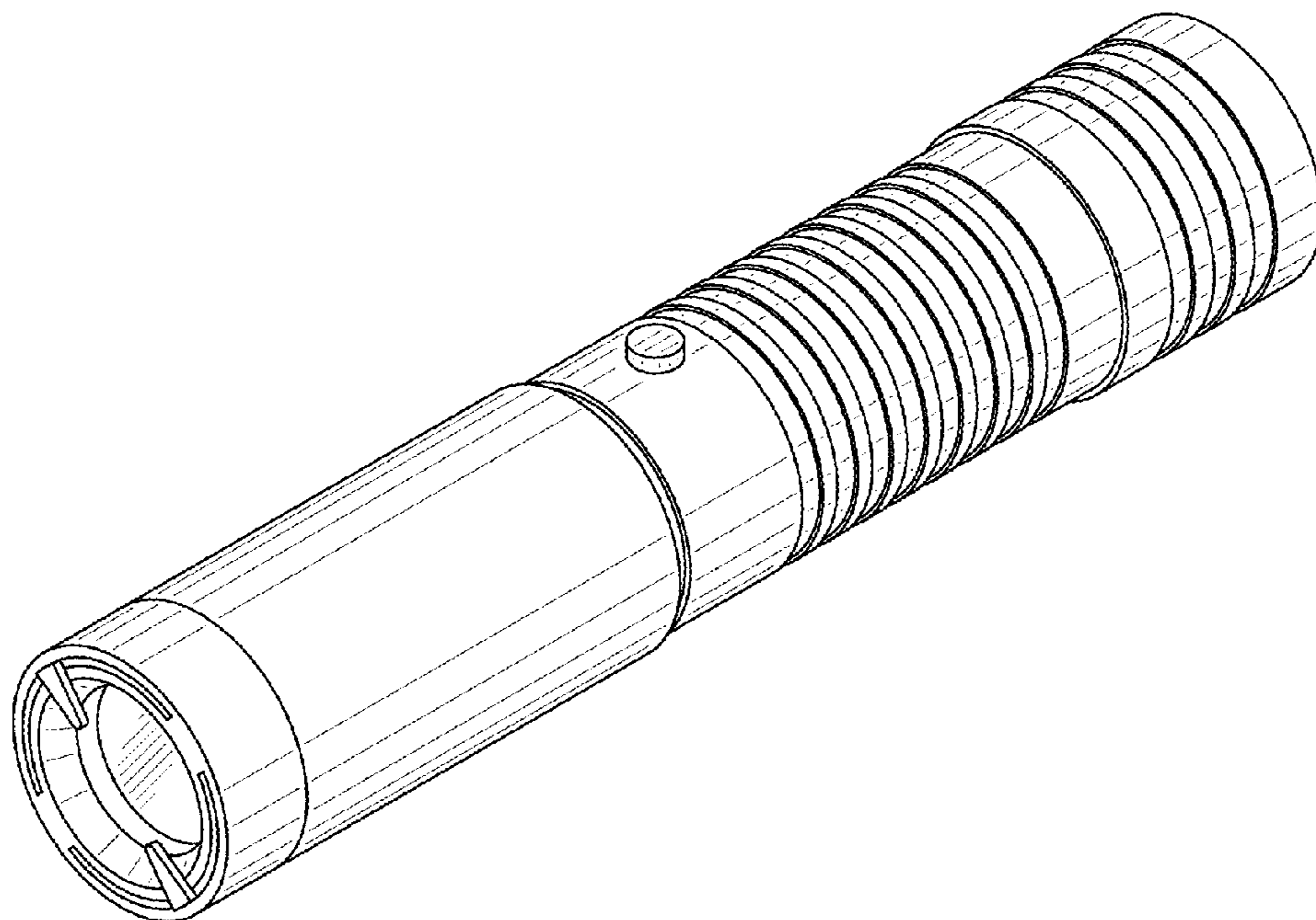
(57) **CLAIM**

The ornamental design for a combination flashlight stun gun,
as shown and described.

DESCRIPTION

FIG. 1 is a front perspective view illustrating a combination
flashlight stun gun, with two prongs of the stun gun illustrated
on the flashlight end thereof;
FIG. 2 is a front view thereof;
FIG. 3 is a back view thereof, with two operating switches
illustrated in broken lines;
FIG. 4 is a side view thereof;
FIG. 5 is an opposing side view thereof;
FIG. 6 is a top view thereof; and,
FIG. 7 is a bottom view thereof.
The broken lines shown herein represent unclaimed portion
of the design article and form no part of the claimed design.

1 Claim, 3 Drawing Sheets



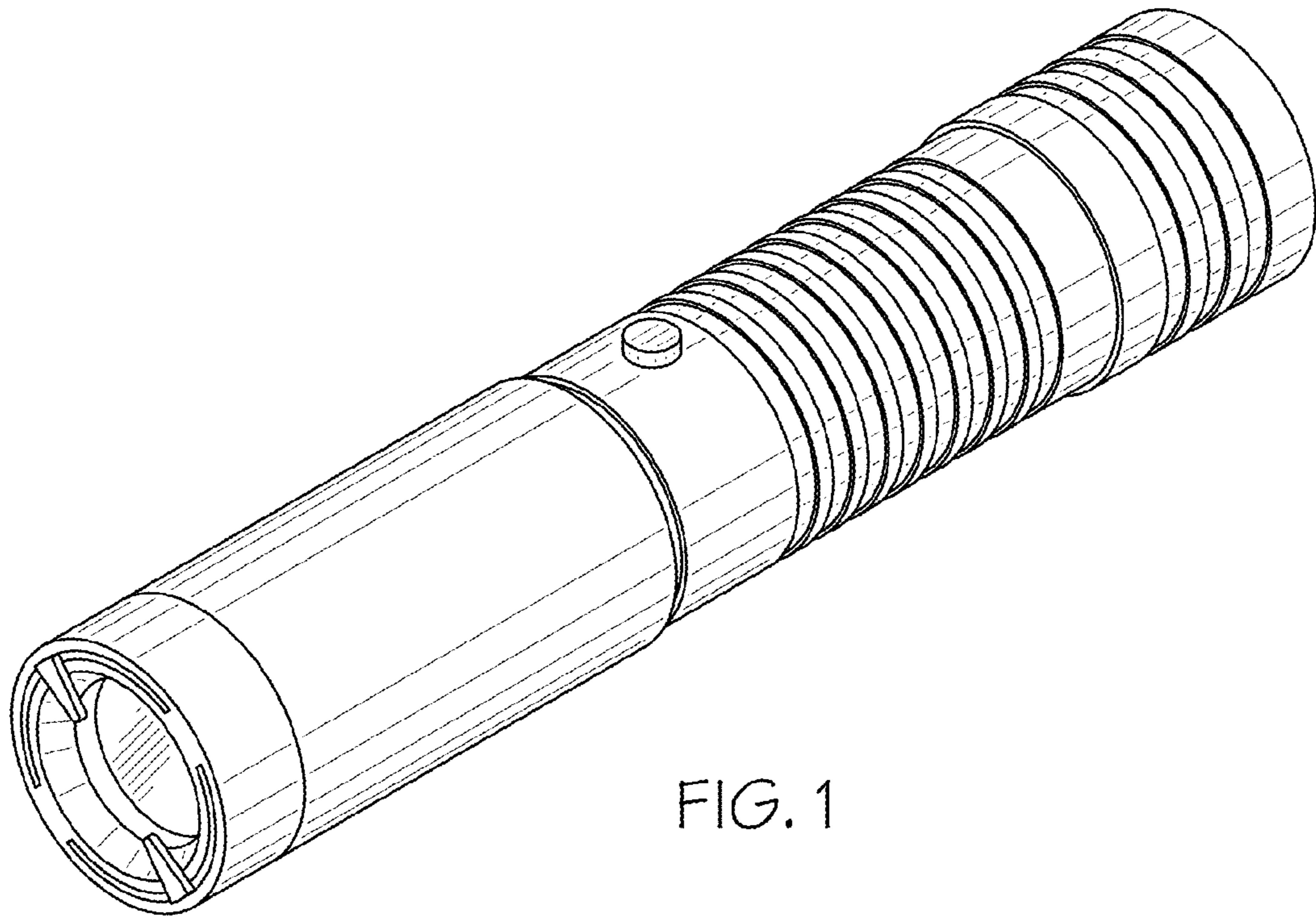


FIG. 1

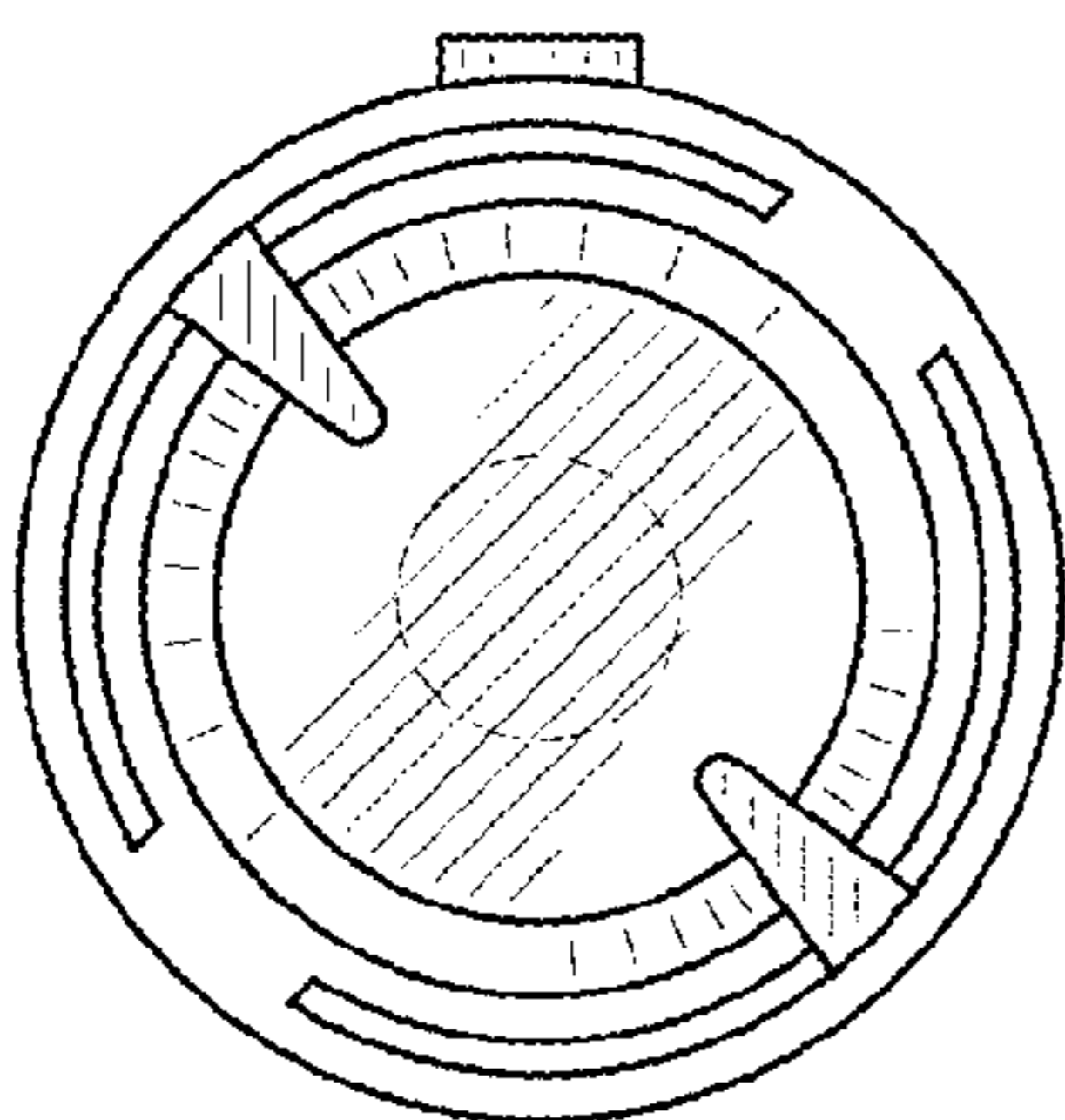


FIG. 2

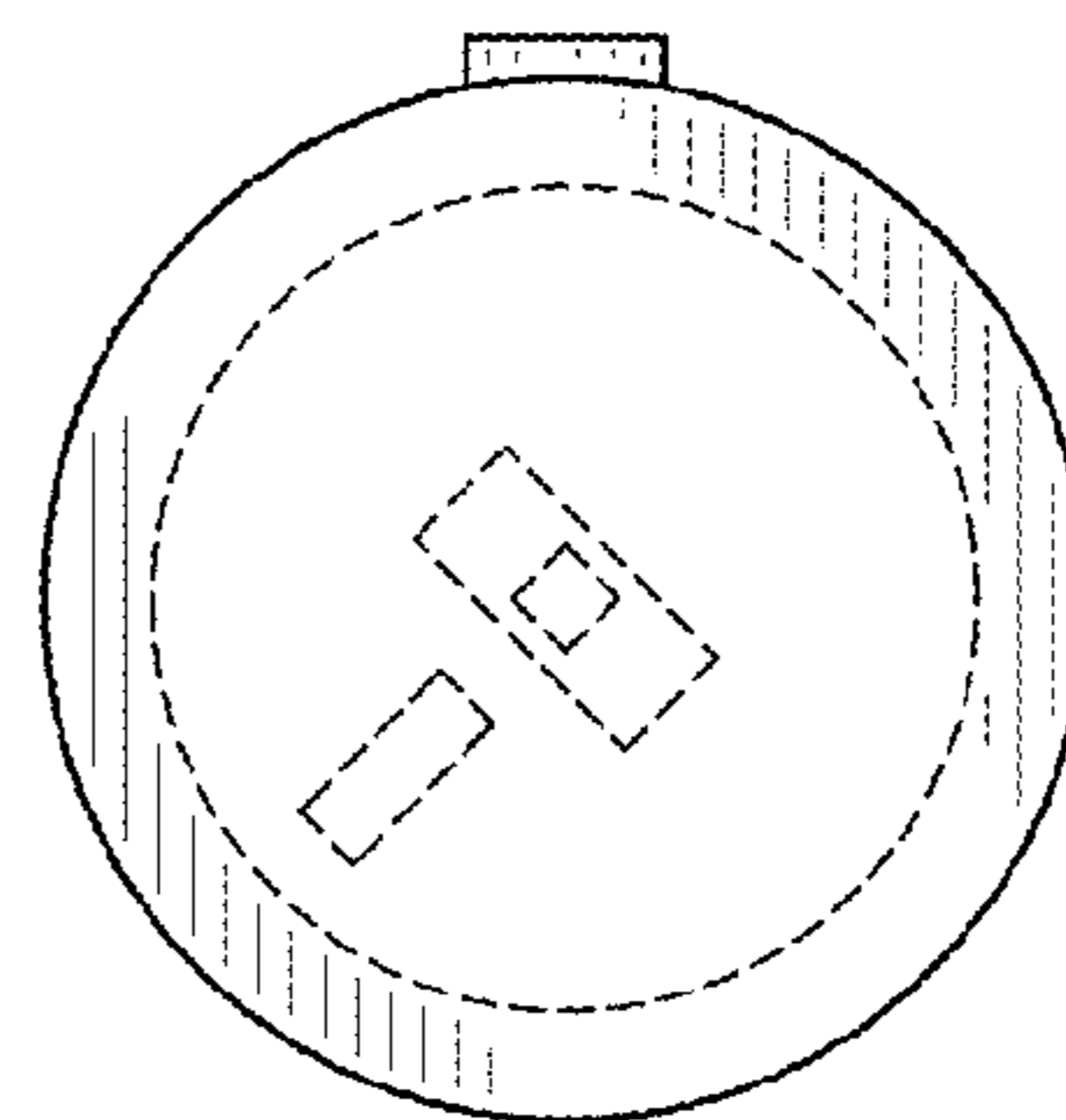


FIG. 3

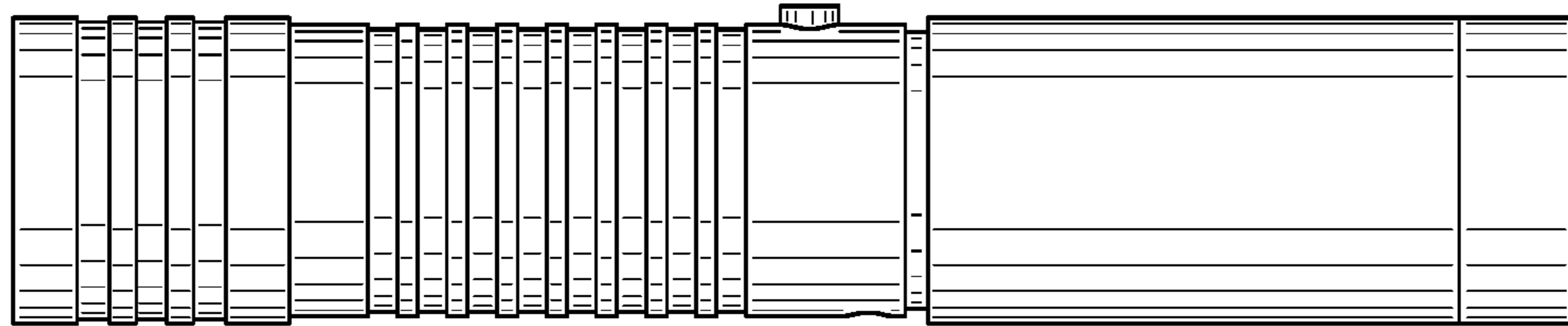


FIG. 4

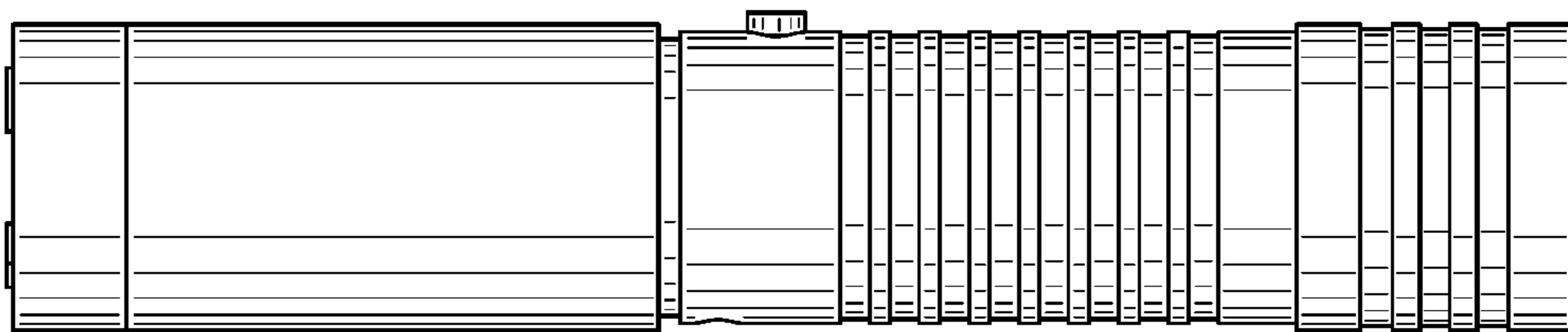


FIG. 5

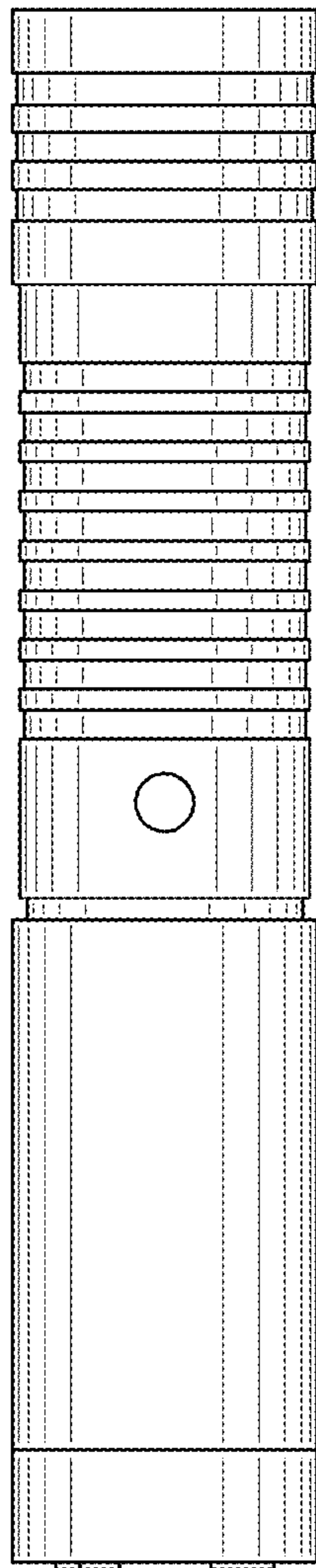


FIG. 6

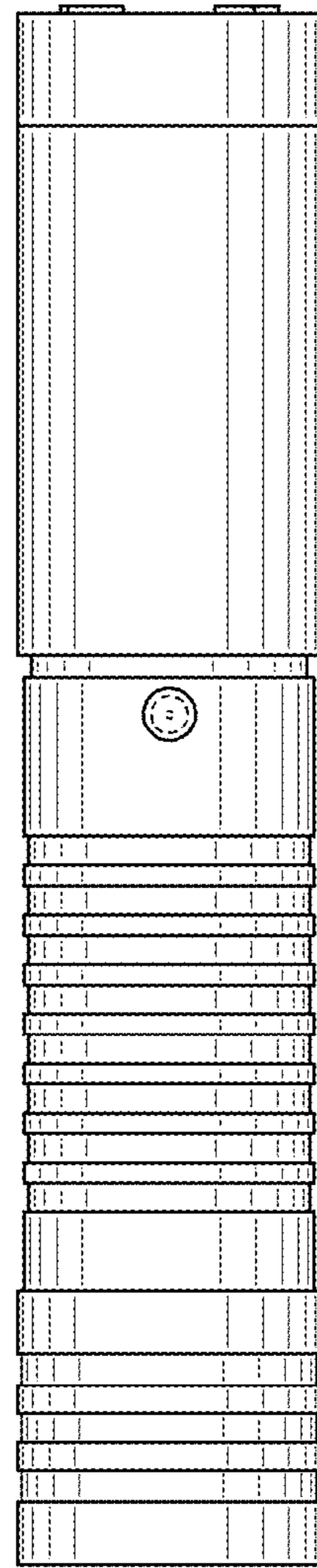


FIG. 7