



US00D748308S

(12) **United States Design Patent**
Zhang

(10) **Patent No.:** **US D748,308 S**
(45) **Date of Patent:** **** Jan. 26, 2016**

(54) **SPOTLIGHT**
(71) Applicant: **Yuyao Jinfeng Electric Appliance Co., Ltd.**, Yuyao, Zhejiang (CN)
(72) Inventor: **JiFeng Zhang**, Yuyao (CN)
(73) Assignee: **Yuyao Jinfeng Electric Appliance Co., Ltd.**, Yuyao, Zhejiang (CN)

D527,480 S * 8/2006 Yuen D26/46
D531,336 S * 10/2006 Yuen D26/46
D534,288 S * 12/2006 Krieger D26/38
D544,122 S * 6/2007 Yuen D26/46
D551,371 S * 9/2007 Brown D26/49
D611,631 S * 3/2010 Hsu D26/40
D638,563 S * 5/2011 Sun D26/48
D650,934 S * 12/2011 Yuen D26/41

* cited by examiner

(**) Term: **14 Years**
(21) Appl. No.: **29/499,619**

Primary Examiner — Sandra Morris
(74) *Attorney, Agent, or Firm* — Raymond Y. Chan; David and Raymond Patent Firm

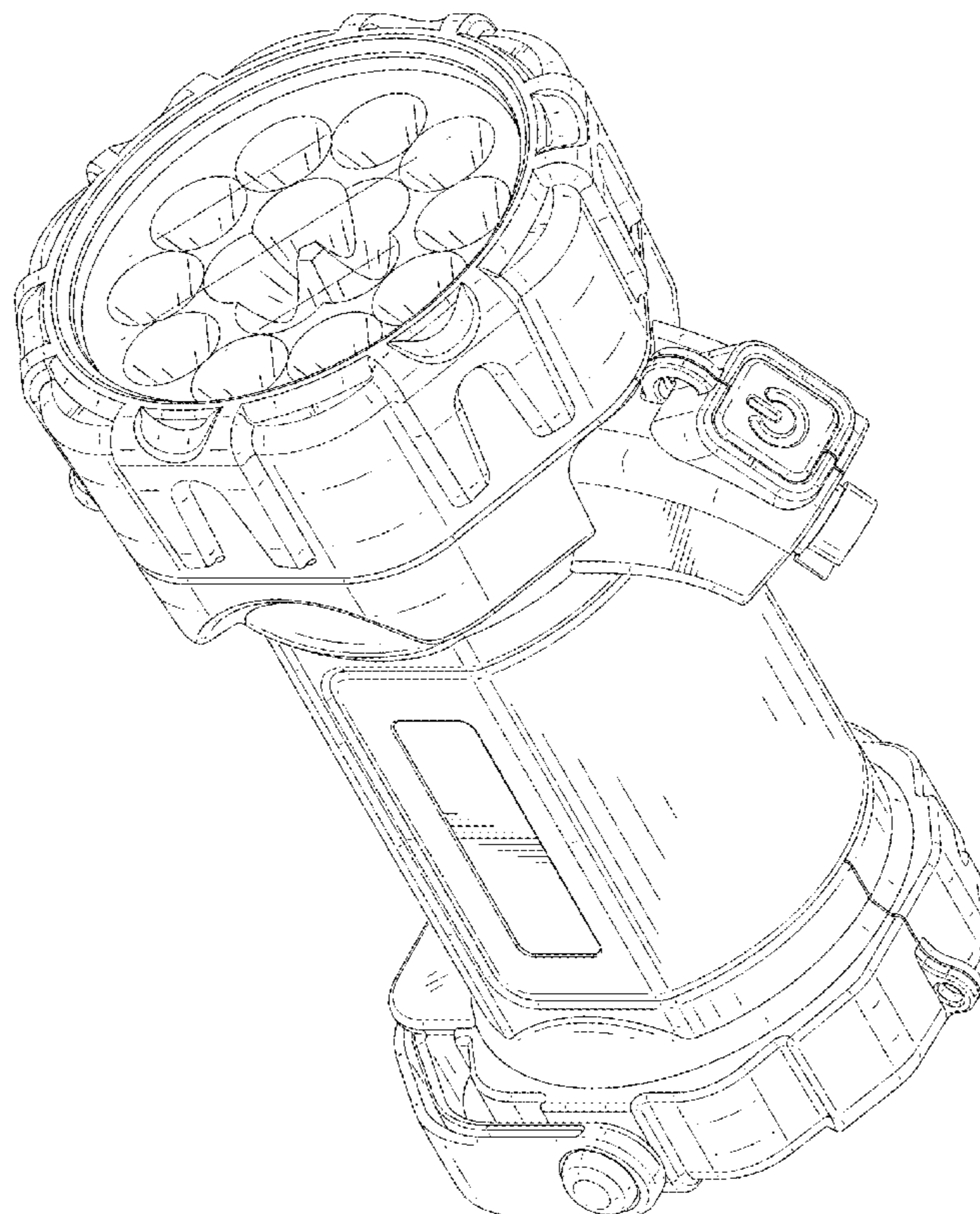
(22) Filed: **Aug. 18, 2014**
(51) **LOC (10) Cl.** **26-02**
(52) **U.S. Cl.**
USPC **D26/37**
(58) **Field of Classification Search**
USPC D26/37-51, 56-60, 67; 362/103-105,
362/184, 194-196, 202-206
CPC F21L 4/00; F21L 4/022; F21L 4/025;
F21L 4/027; F21L 7/00; F21L 19/00; F21V
21/084; F21V 21/0085; F21W 2111/10
See application file for complete search history.

(57) **CLAIM**
The ornamental design for a spotlight, as shown and described.

(56) **References Cited**
U.S. PATENT DOCUMENTS
D409,777 S * 5/1999 Sharrah D26/44
D441,108 S * 4/2001 Poon D26/37

DESCRIPTION
FIG. 1 is a front view of a spotlight showing my new design.
FIG. 2 is a rear view of the spotlight.
FIG. 3 is a left view of the spotlight.
FIG. 4 is a right view of the spotlight.
FIG. 5 is a top view of the spotlight.
FIG. 6 is a bottom view of the spotlight; and,
FIG. 7 is a perspective view of the spotlight.

1 Claim, 7 Drawing Sheets



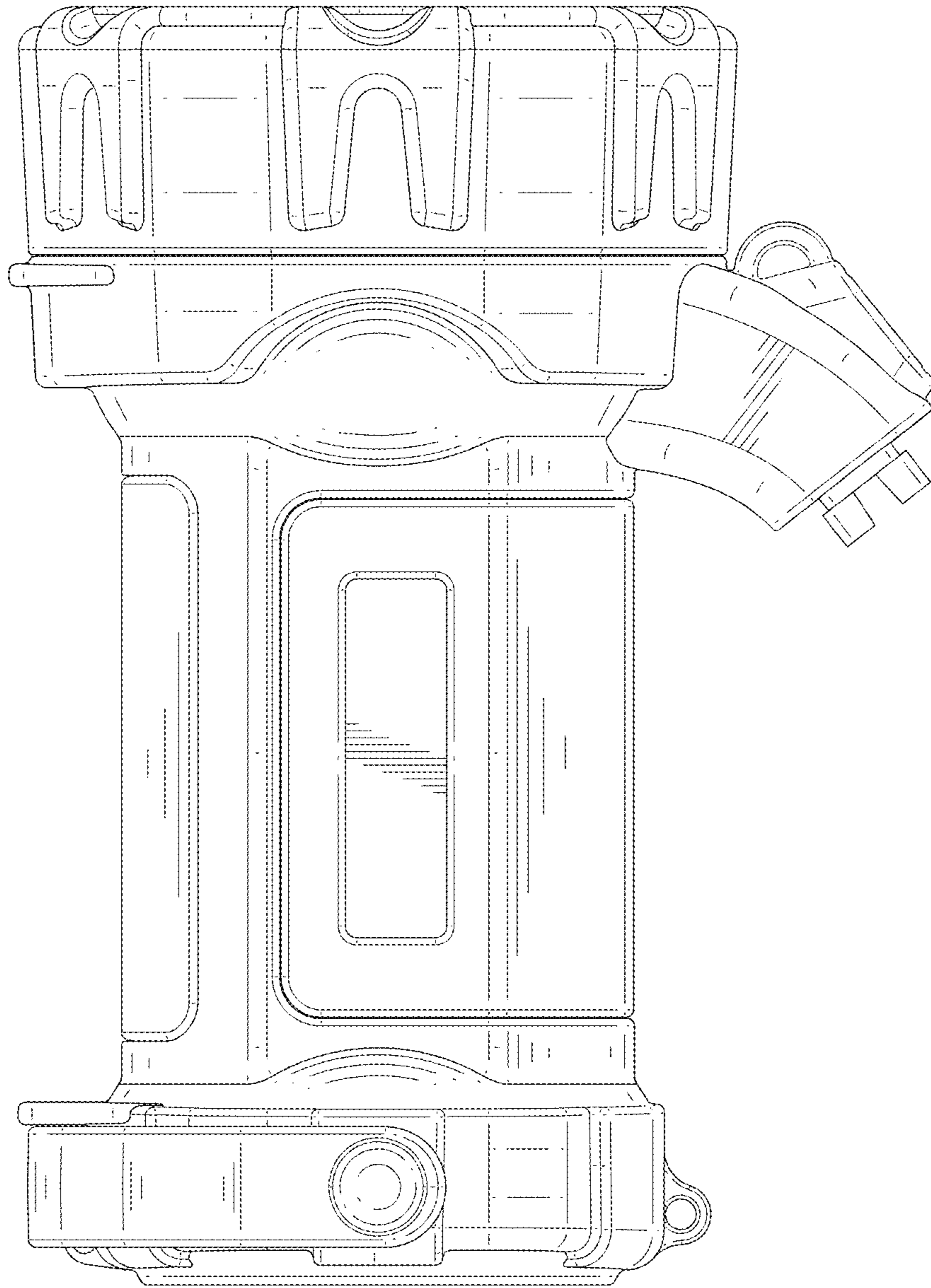


FIG.1

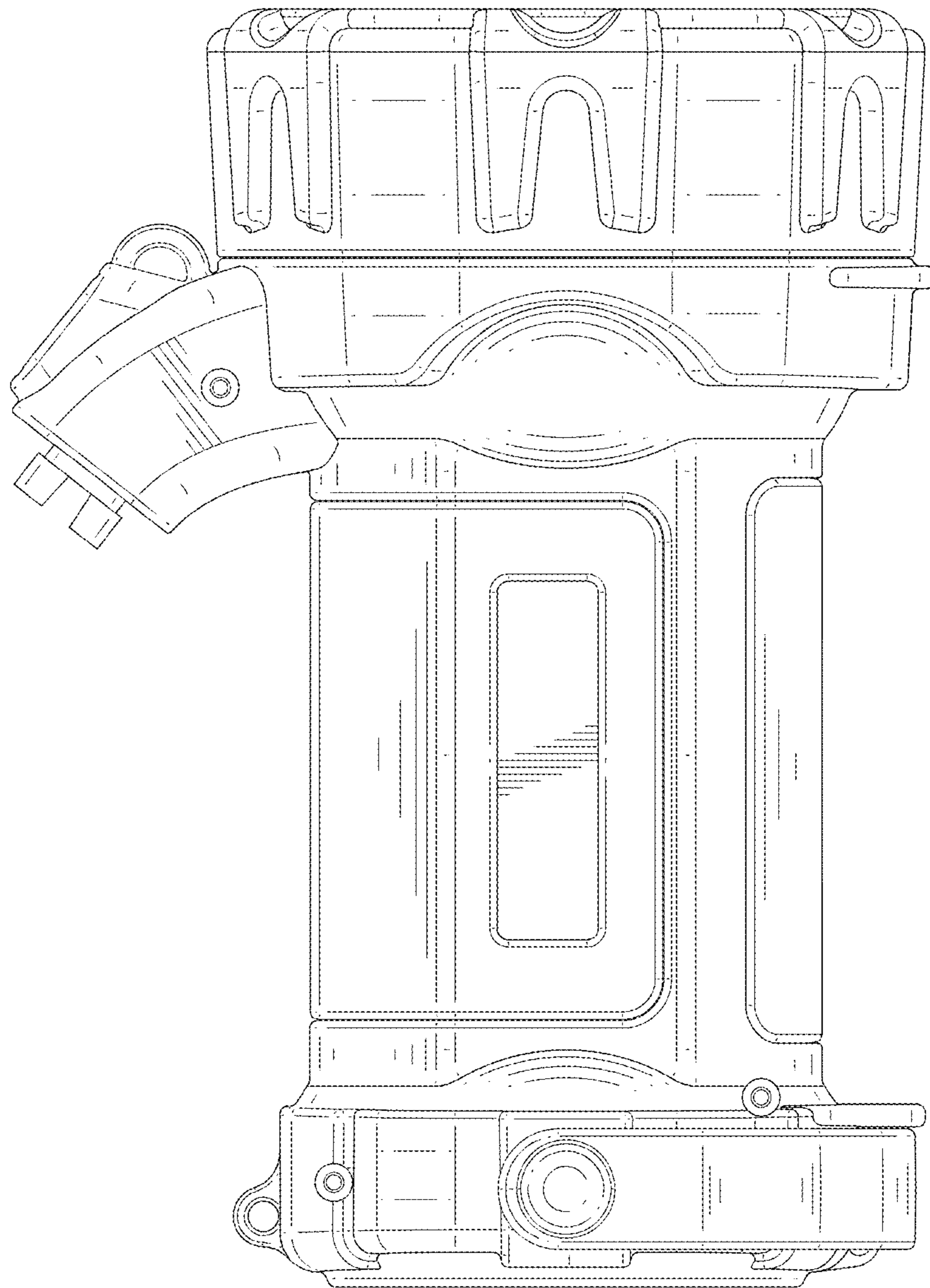


FIG.2

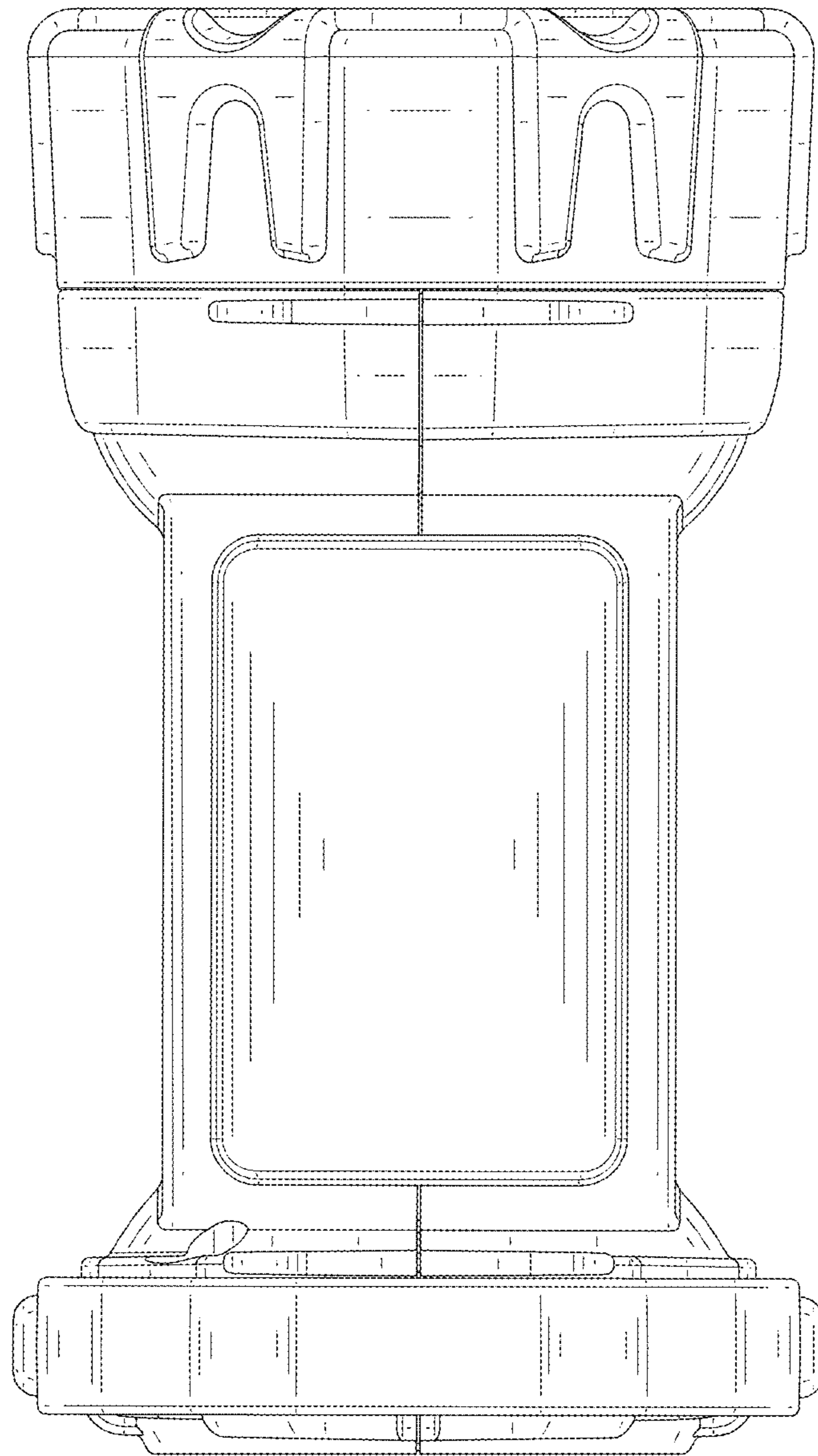


FIG.3

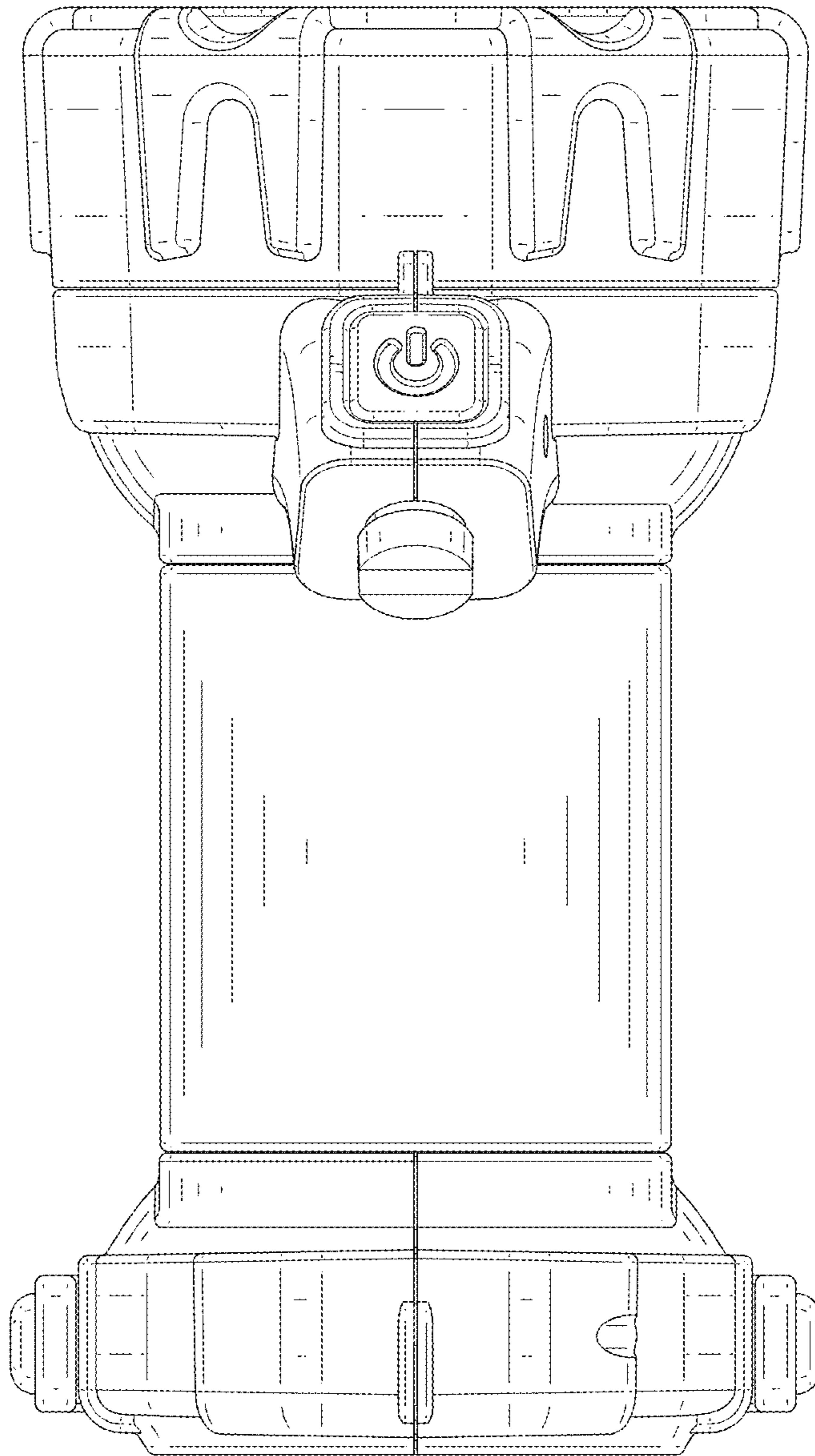


FIG.4

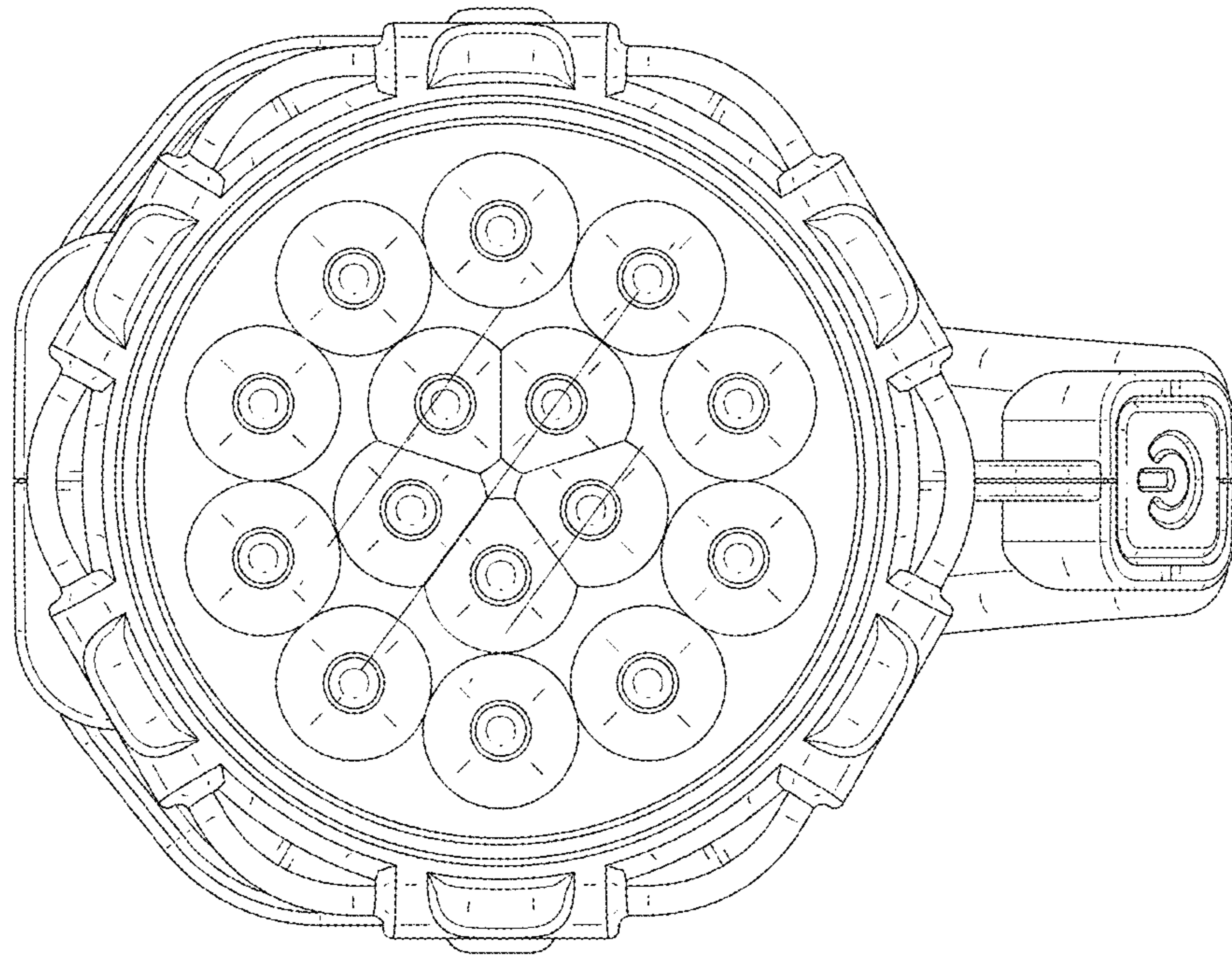


FIG.5

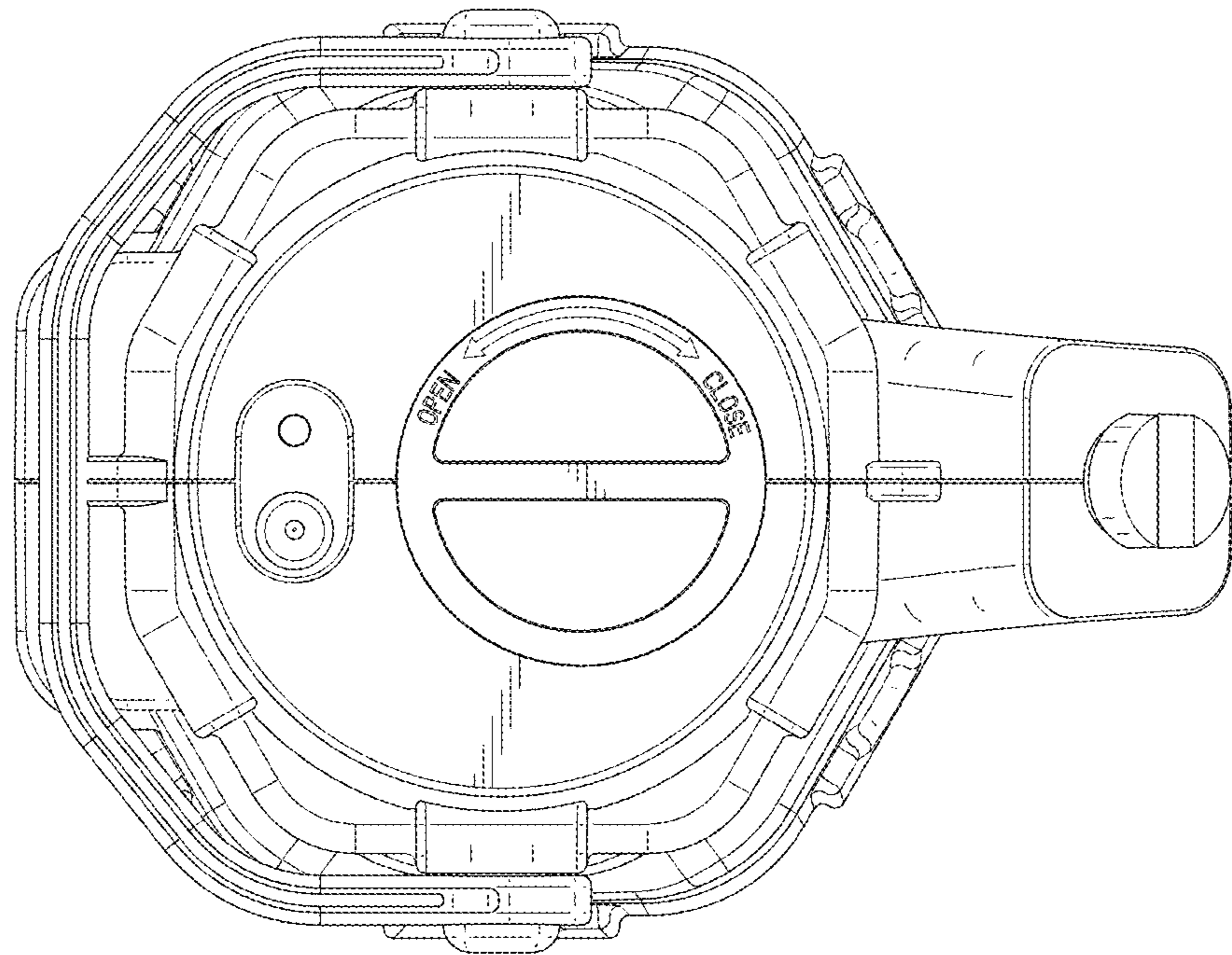


FIG.6

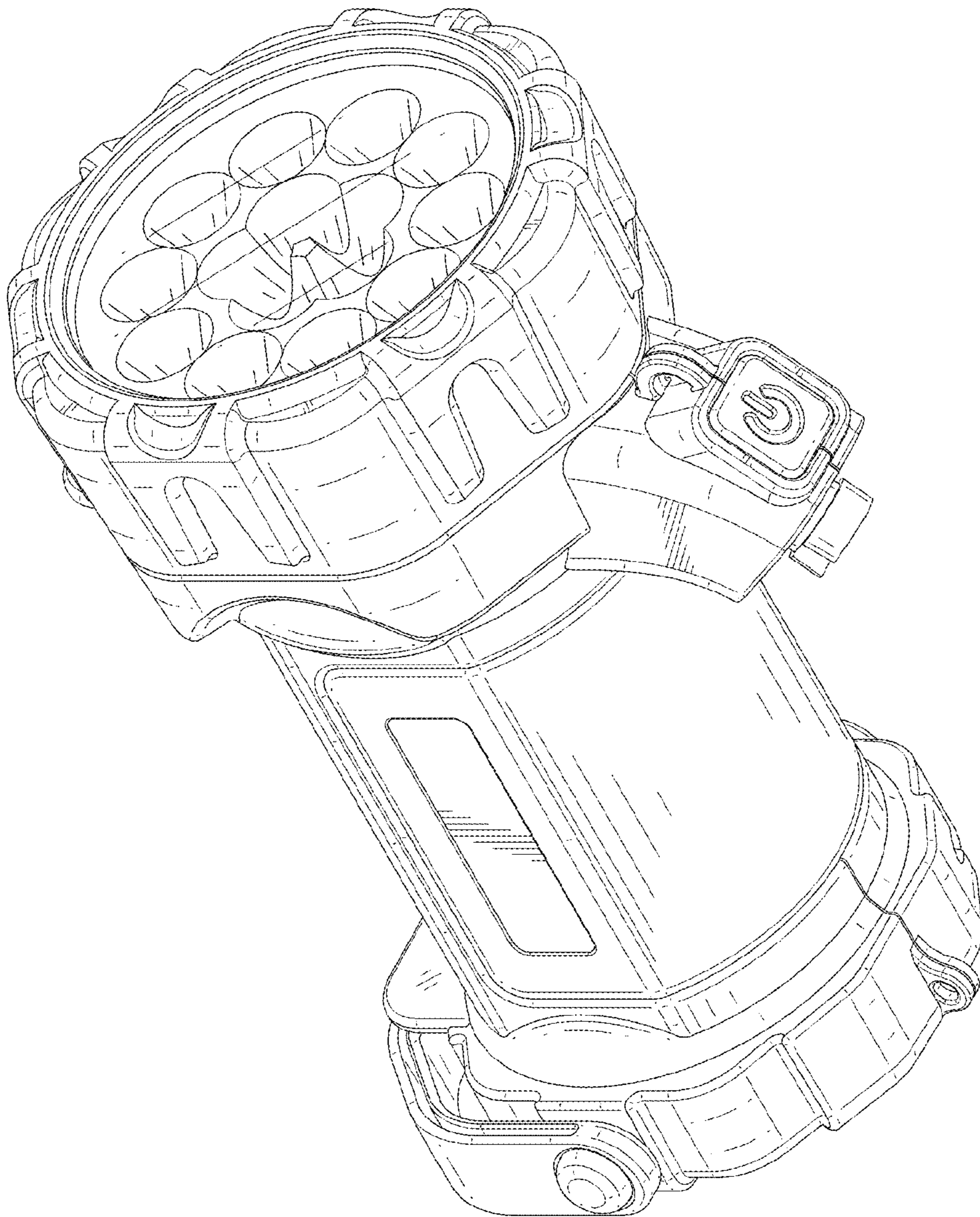


FIG.7