



US00D748307S

(12) **United States Design Patent**
Matthews et al.

(10) **Patent No.:** **US D748,307 S**
(45) **Date of Patent:** **** Jan. 26, 2016**

(54) **LIGHTING DEVICE**

(75) Inventors: **John W. Matthews**, Newport Beach, CA (US); **Ronald S. Gibson**, Valencia, CA (US); **Michael D. Picciotta**, Yorba Linda, CA (US)

(73) Assignee: **SureFire, LLC**, Fountain Valley, CA (US)

(**) Term: **14 Years**

(21) Appl. No.: **29/410,908**

(22) Filed: **Jan. 13, 2012**

(51) **LOC (10) Cl.** **26-02**

(52) **U.S. Cl.**
USPC **D26/37**

(58) **Field of Classification Search**
USPC D26/37, 38, 44, 45, 46, 48, 49, 51, 52;
362/157, 158, 183, 184, 194-196,
362/200-208, 253
CPC F21V 33/00; F21V 14/025; F21V 21/406;
F21Y 2101/02; F21L 17/00; F21L 13/08
See application file for complete search history.

(56) **References Cited**

U.S. PATENT DOCUMENTS

2,361,414	A	10/1944	Ramsey	
2,402,877	A	6/1946	Dial	
4,506,317	A	3/1985	Duddy	
D281,818	S *	12/1985	Zurwelle	D26/37
D324,109	S	2/1992	Caridi	
D409,777	S *	5/1999	Sharrah et al.	D26/44
6,616,294	B1	9/2003	Henry	
6,633,152	B2 *	10/2003	Sharrah et al.	320/114
D515,719	S *	2/2006	Shiu	D26/37
7,229,189	B2 *	6/2007	Parker et al.	362/199
D561,365	S *	2/2008	Huff	D26/37
D593,239	S *	5/2009	Caniparoli	D26/49
D601,285	S *	9/2009	Chen	D26/49
D619,284	S *	7/2010	Kim	D26/49
D620,161	S *	7/2010	Kang et al.	D26/45

D623,323	S *	9/2010	Kung	D26/45
D629,545	S *	12/2010	Deguglimo et al.	D26/49
D629,546	S *	12/2010	Deguglimo et al.	D26/49
7,871,179	B1 *	1/2011	Edgar	362/197
D651,334	S *	12/2011	Yuen	D26/50
8,075,156	B2 *	12/2011	Steele et al.	362/191
8,360,597	B1	1/2013	Hanchett	
D681,246	S *	4/2013	Keeley et al.	D26/44

(Continued)

Primary Examiner — Ian Simmons

Assistant Examiner — Carissa C Fitts

(74) *Attorney, Agent, or Firm* — Haynes and Boone, LLP

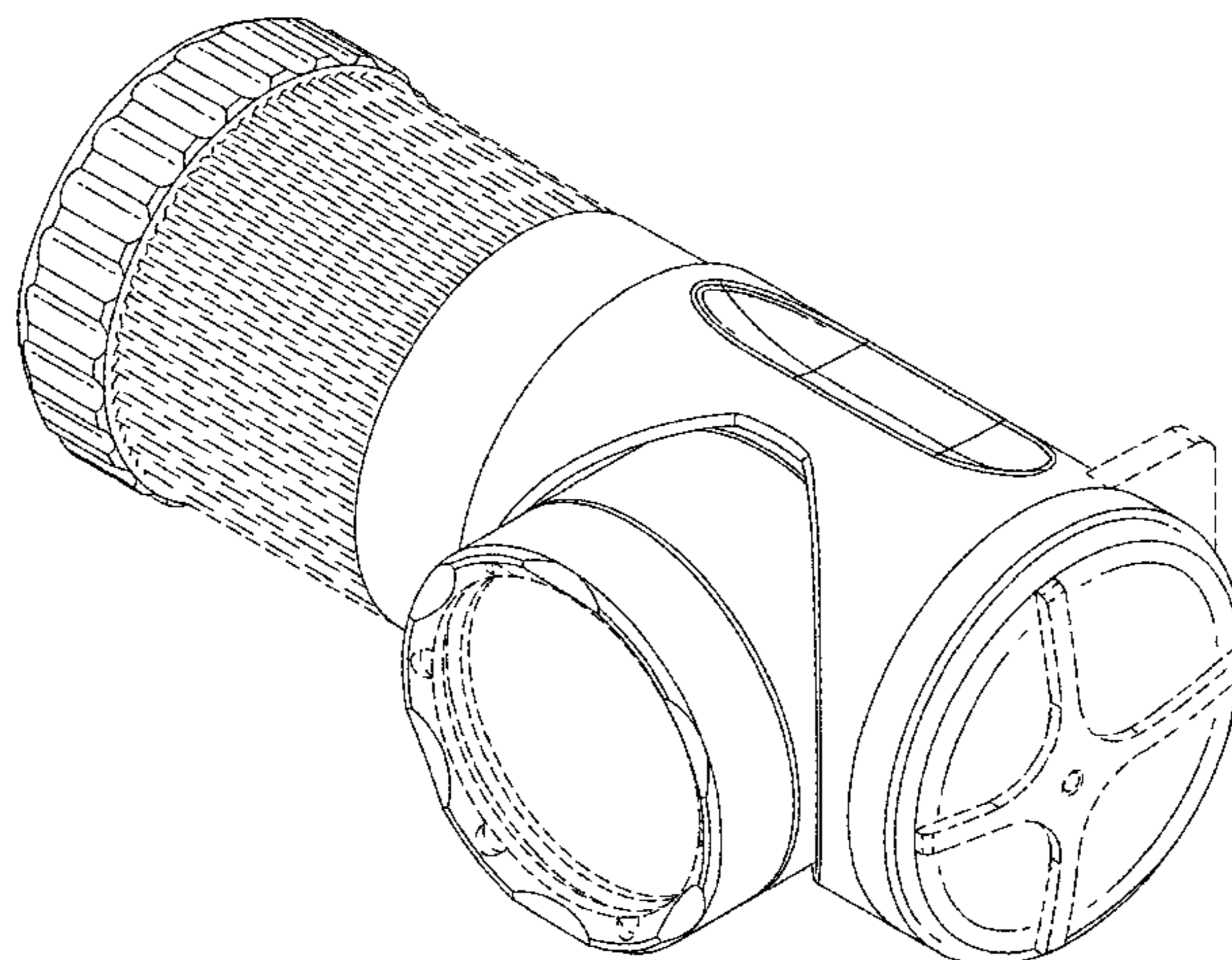
(57) **CLAIM**

The ornamental design for a lighting device, as shown and described.

DESCRIPTION

FIG. 1 is a front perspective view of a lighting device showing the new design;
 FIG. 2 is a rear perspective view thereof;
 FIG. 3 is a front side elevational view thereof;
 FIG. 4 is a rear side elevational view thereof;
 FIG. 5 is a right side elevational view thereof;
 FIG. 6 is a left side elevational view thereof;
 FIG. 7 is a top plan view thereof; and,
 FIG. 8 is a bottom plan view thereof.
 FIG. 9 is a front perspective view of the lighting device installed in a first example cradle; and
 FIG. 10 is a rear perspective view thereof.
 FIG. 11 is a front perspective view of the lighting device installed in a second example cradle; and
 FIG. 12 is a rear perspective view thereof.
 FIG. 13 is a front perspective view of the lighting device installed in a third example cradle; and,
 FIG. 14 is a rear perspective view thereof.
 The broken line showing of the cradle in FIGS. 9-14 is directed to environment. All other broken lines represent portions of the article not claimed. The broken lines form no part of the claimed design.

1 Claim, 14 Drawing Sheets



(56)

References Cited

U.S. PATENT DOCUMENTS

D681,858 S * 5/2013 Sharrah et al. D26/49
D685,939 S * 7/2013 Cooper D26/49
D687,582 S * 8/2013 Kawase et al. D26/44
D701,340 S * 3/2014 Opolka D26/49

2002/0167806 A1 11/2002 Thaxton
2003/0161139 A1 8/2003 Putallaz
2008/0089058 A1 4/2008 Galli et al.
2010/0165612 A1 7/2010 Yeh
2012/0182727 A1 7/2012 Sharrah et al.
2012/0236543 A1 9/2012 Torgerson
2013/0182423 A1 7/2013 Matthews et al.

* cited by examiner

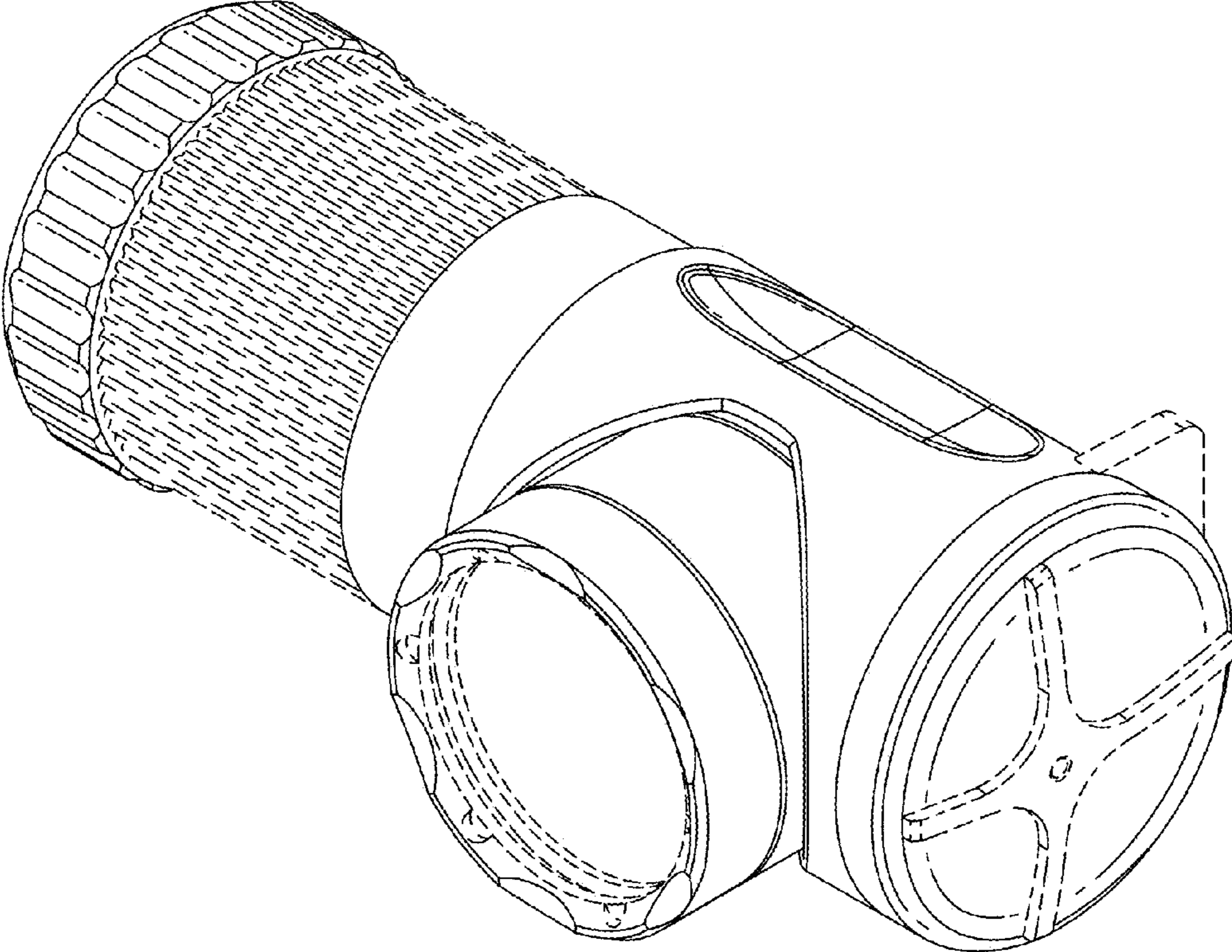


FIG. 1

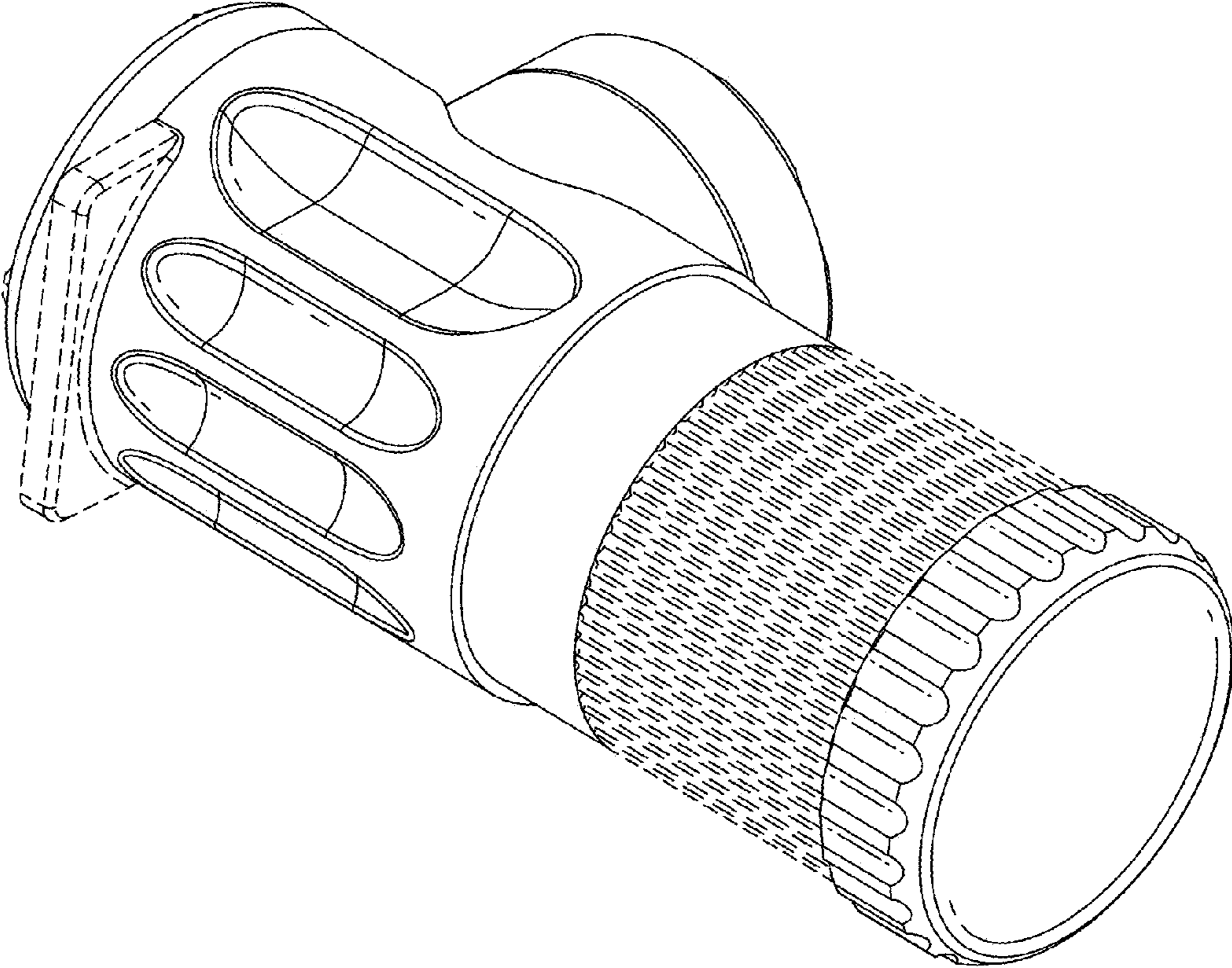


FIG. 2

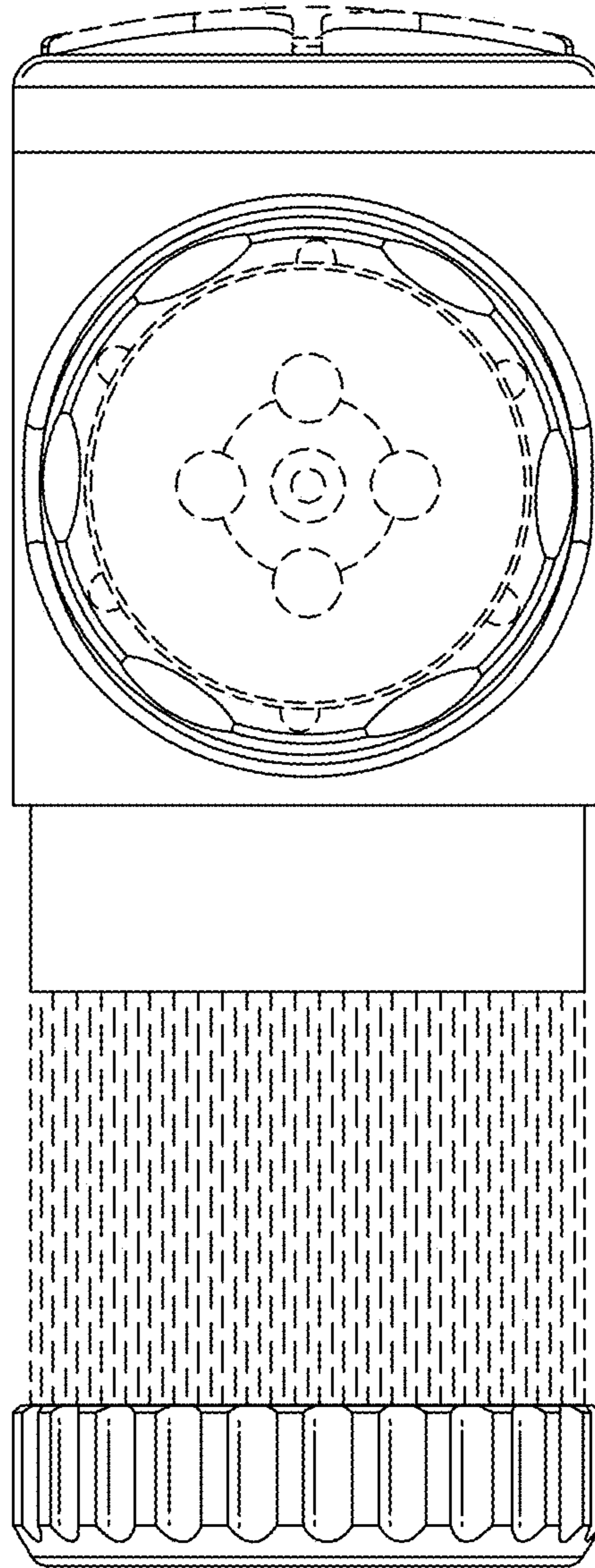


FIG. 3

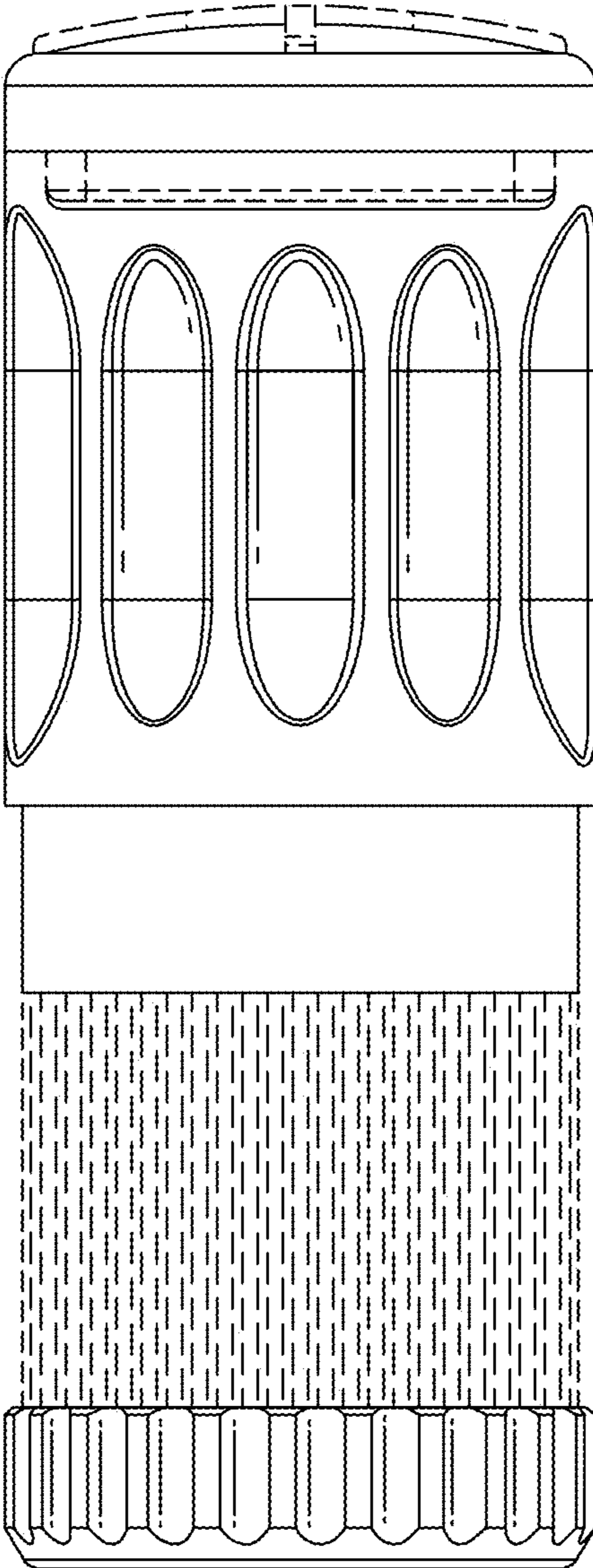


FIG. 4

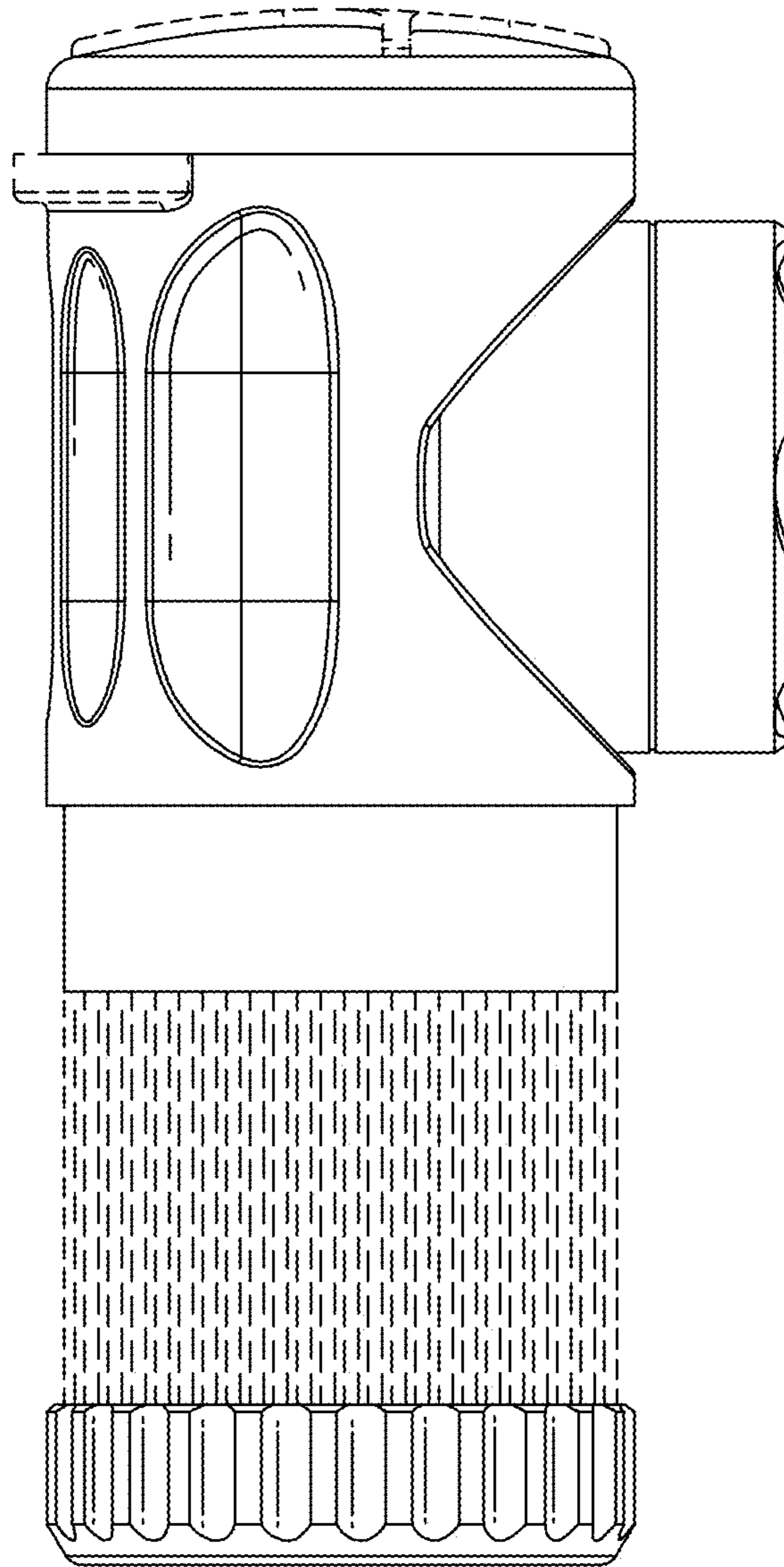


FIG. 5

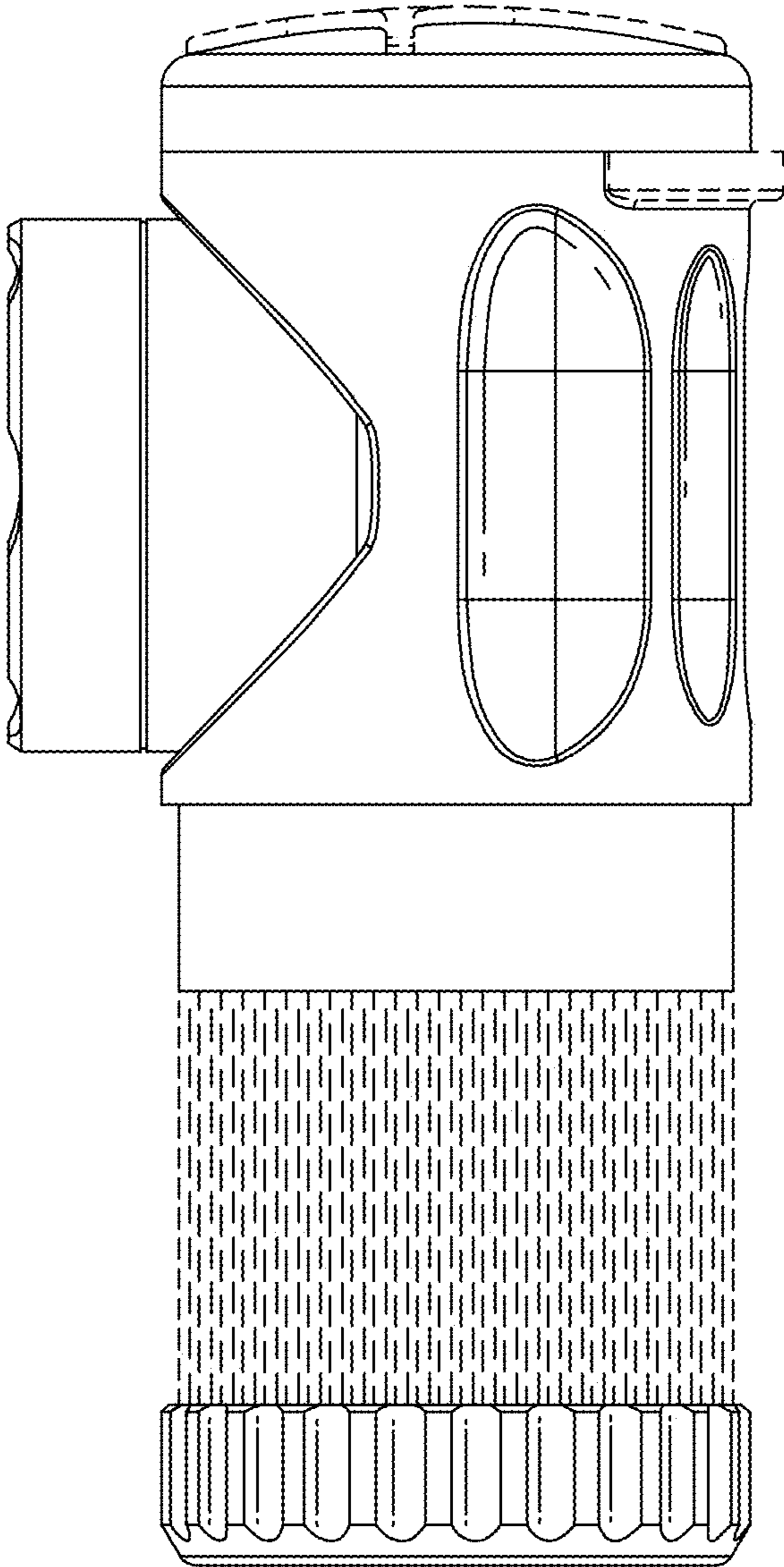


FIG. 6

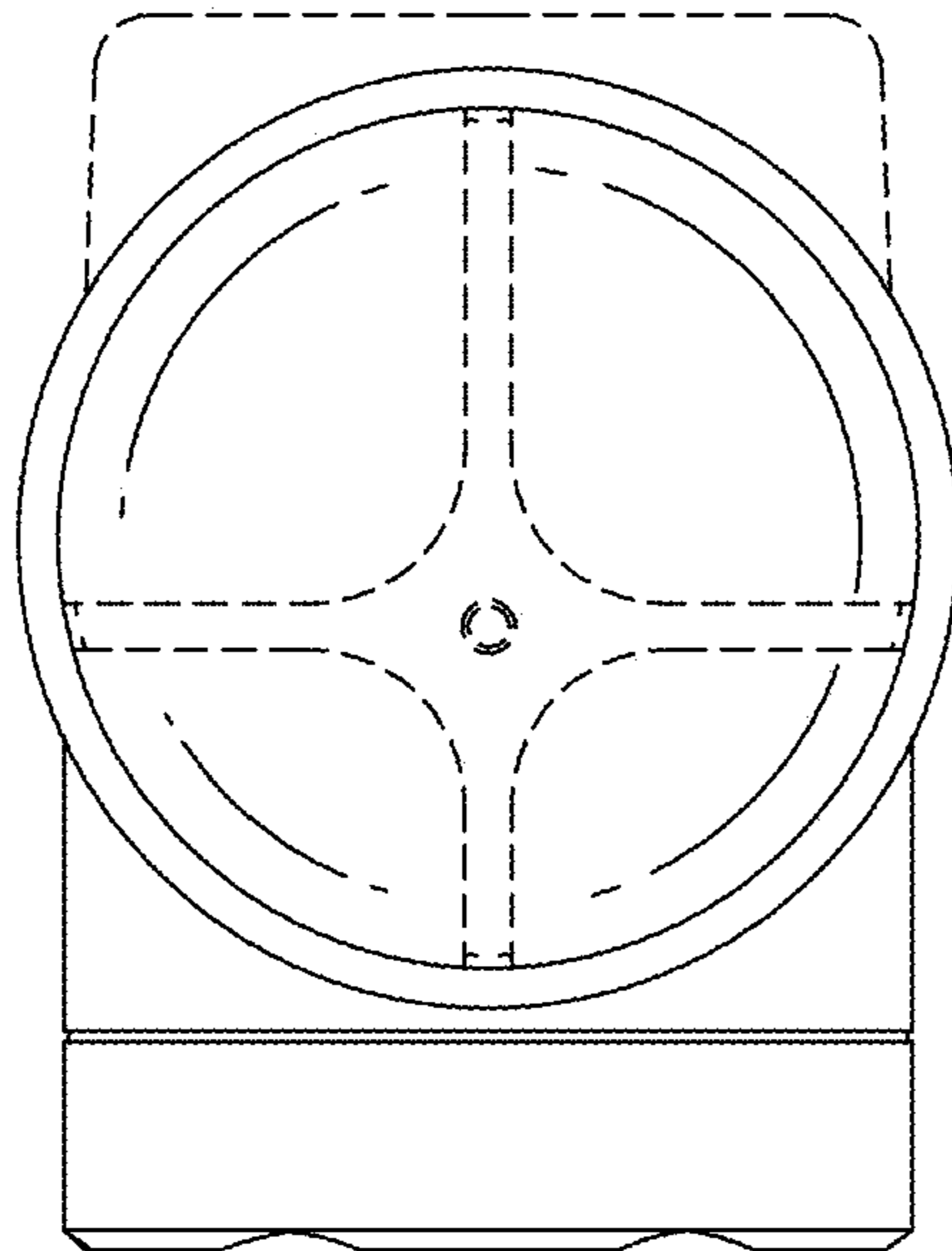


FIG. 7

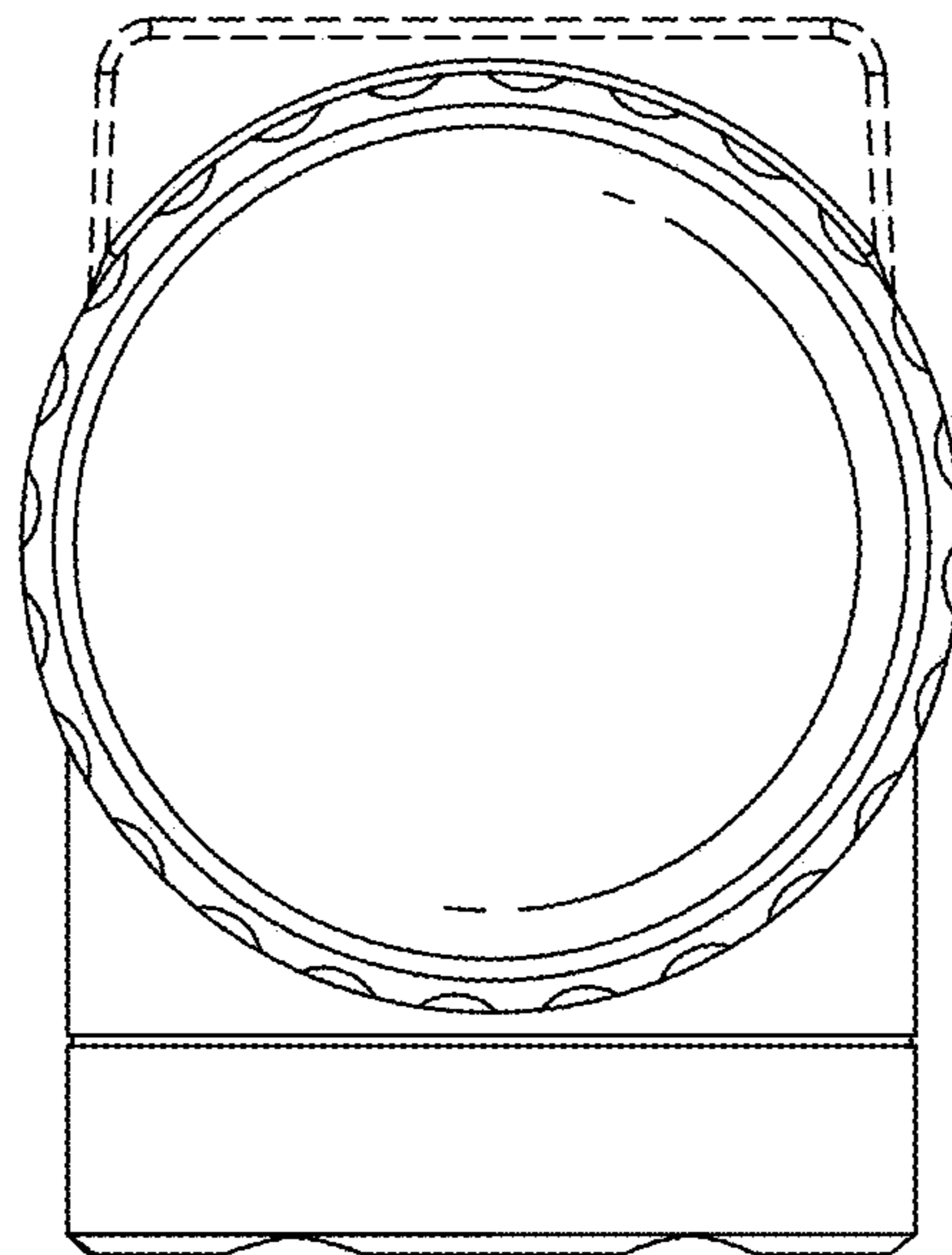


FIG. 8

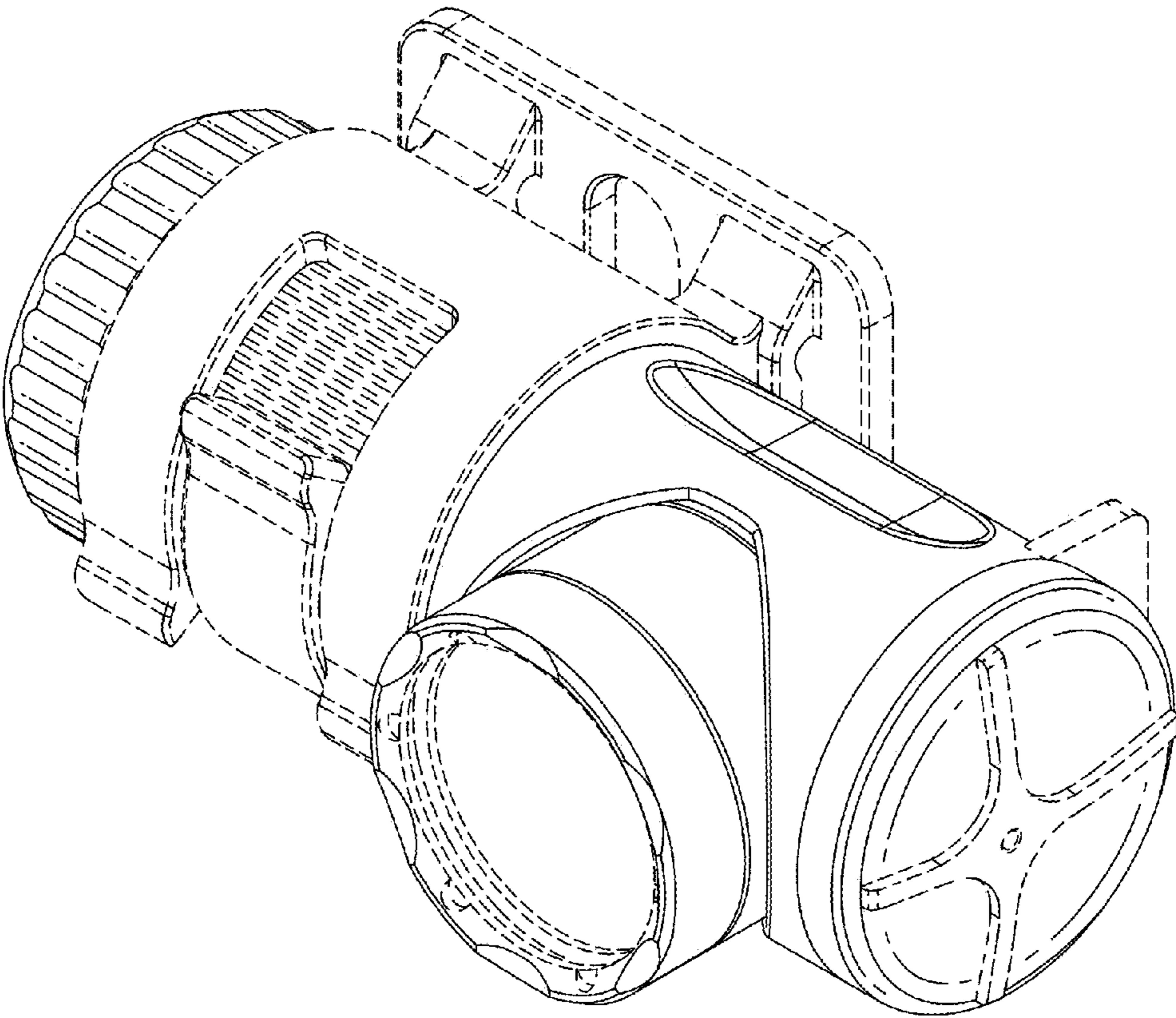


FIG. 9

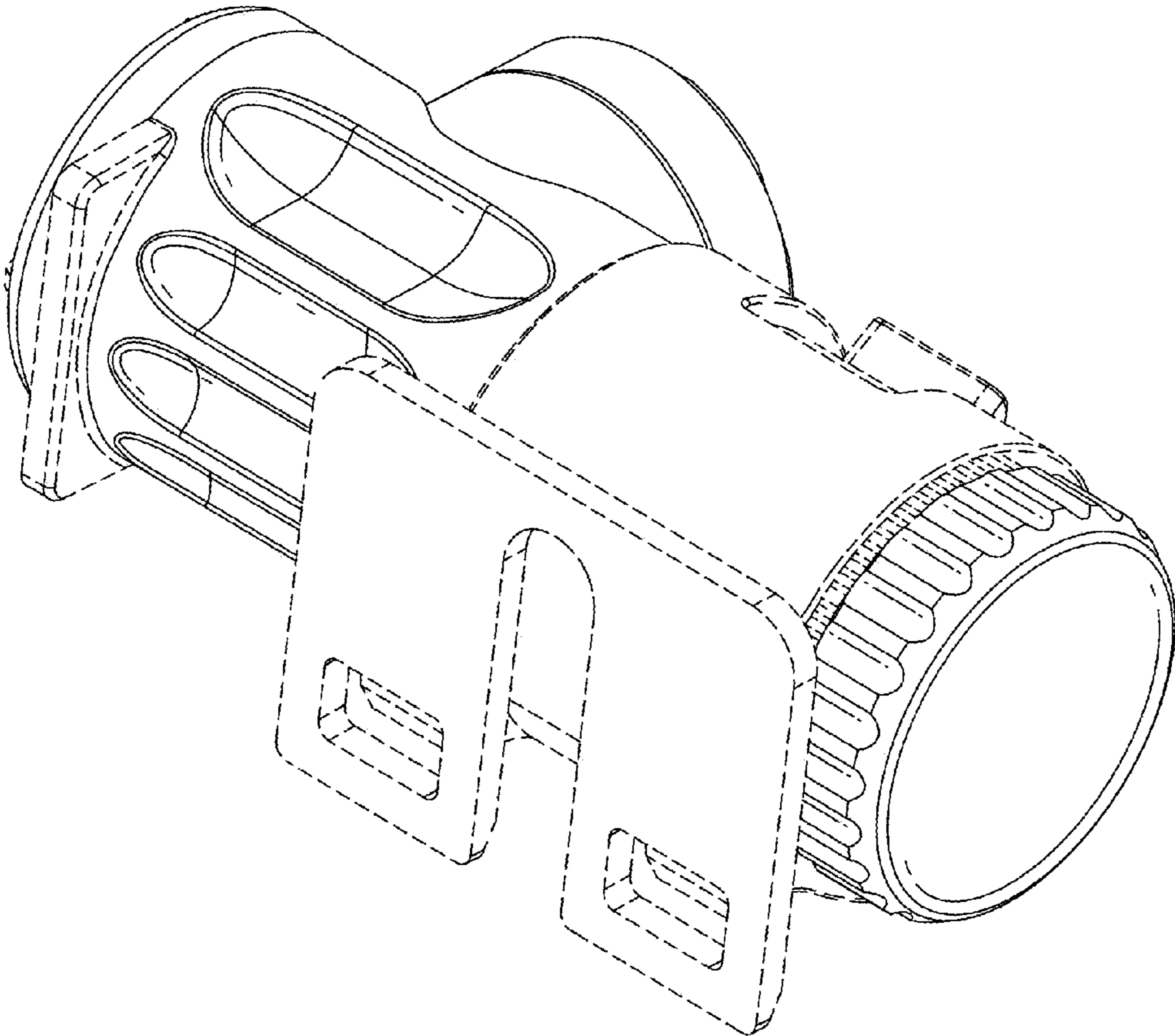


FIG. 10

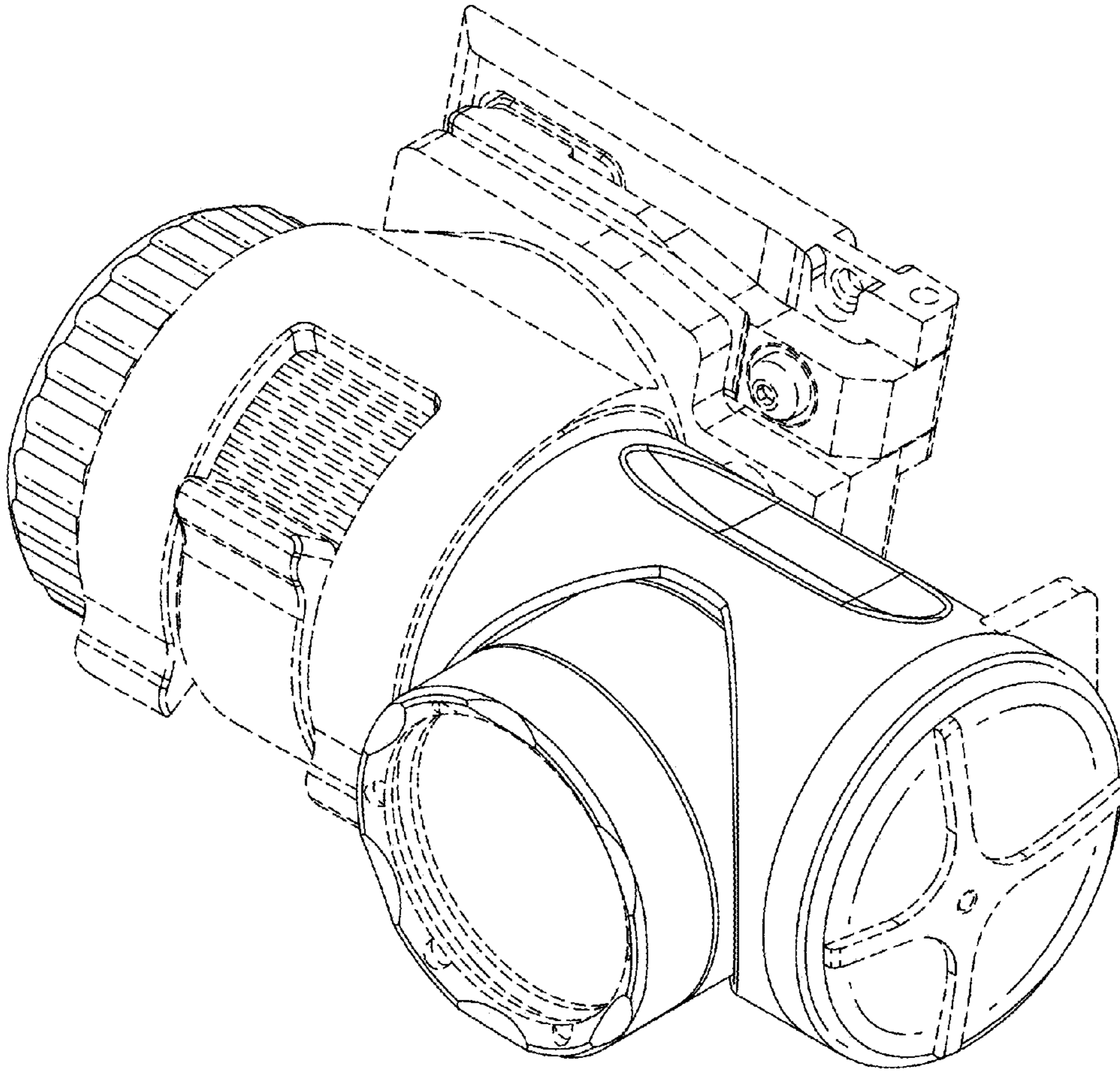


FIG. 11

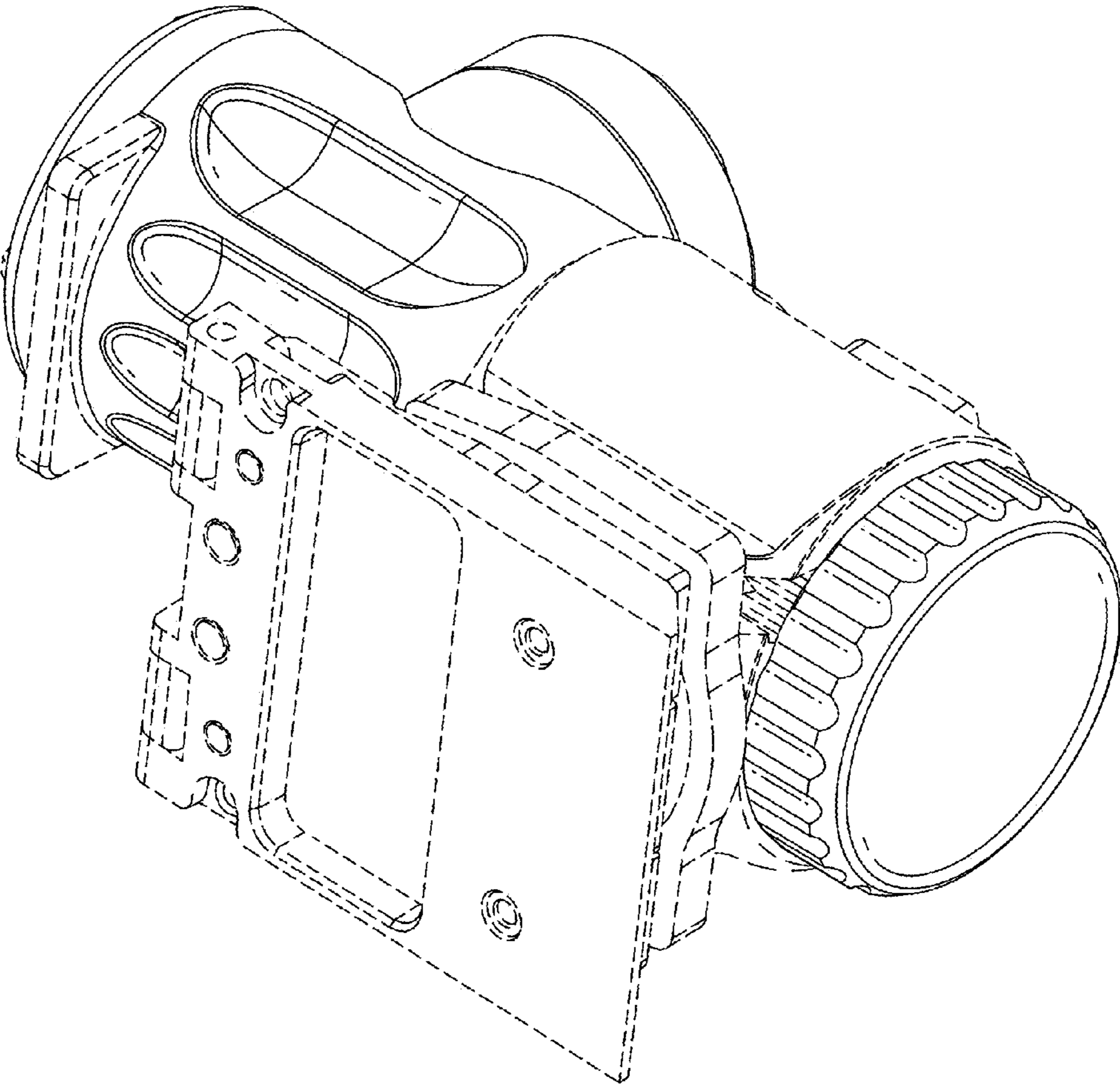


FIG. 12

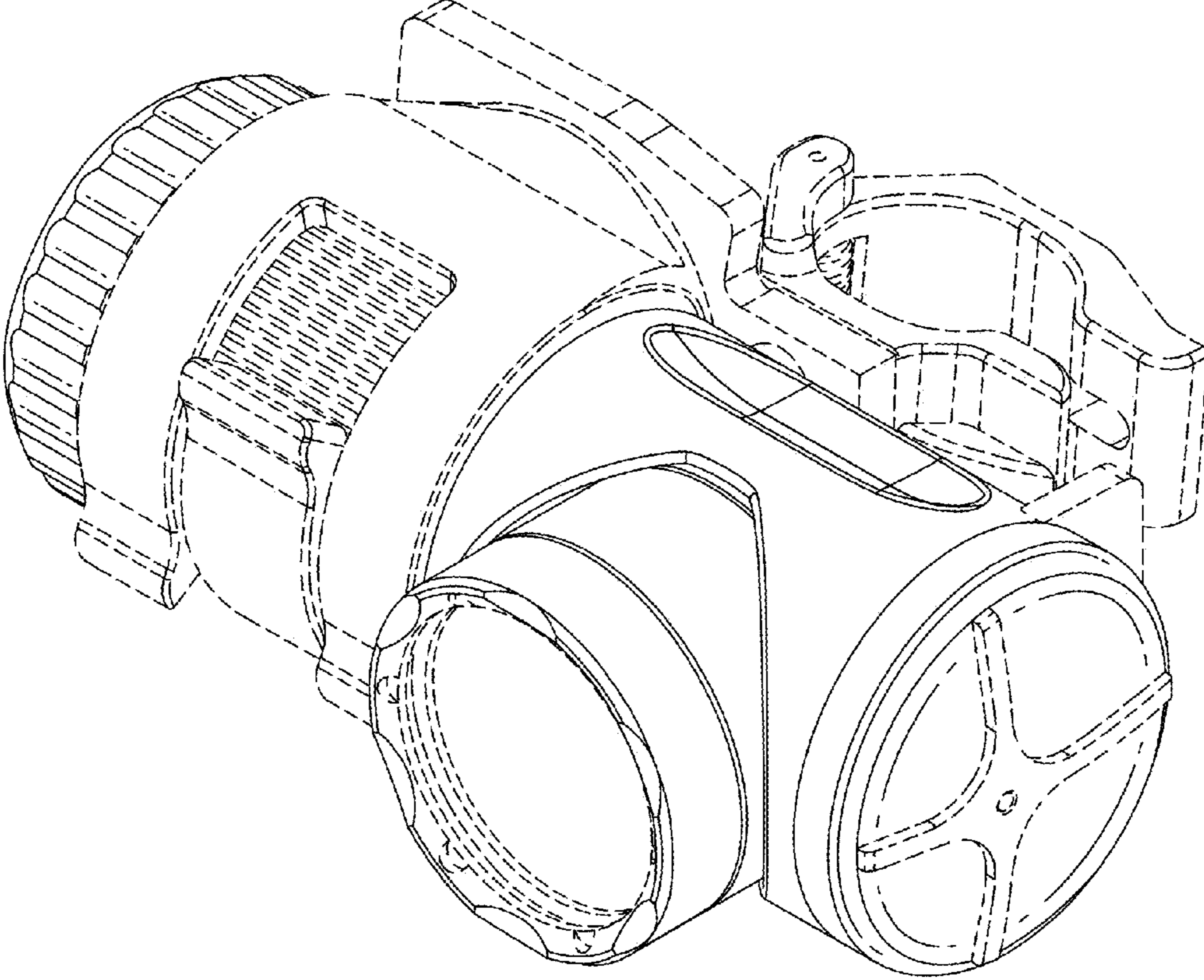


FIG. 13

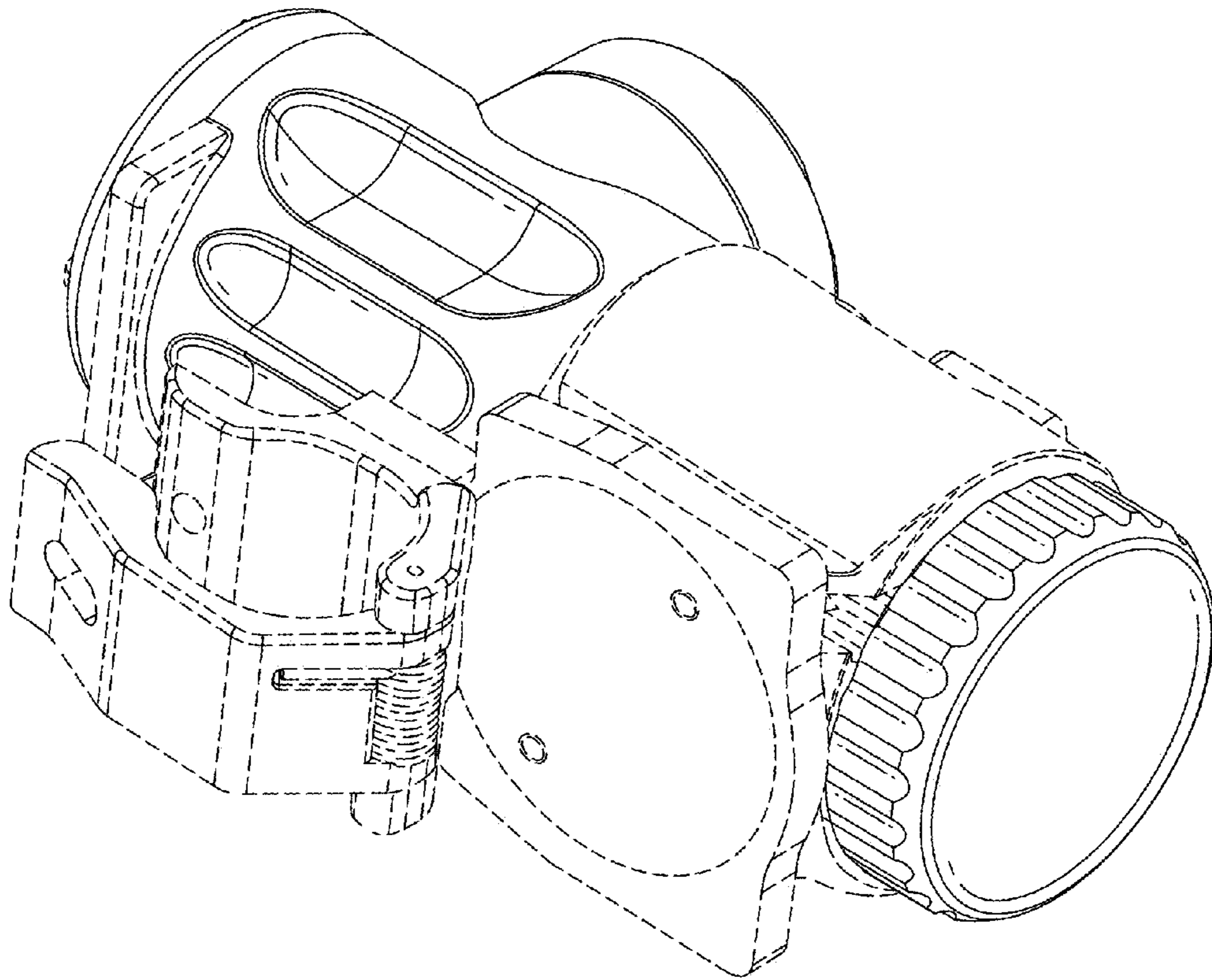


FIG. 14