



US00D748303S

(12) **United States Design Patent**
Sato et al.

(10) **Patent No.:** **US D748,303 S**
(45) **Date of Patent:** **** Jan. 26, 2016**

(54) **FRONT COMBINATION LAMP FOR AN
AUTOMOBILE**

D544,614 S * 6/2007 Markefka D26/28
D549,857 S * 8/2007 Lin D26/28
D561,358 S * 2/2008 Tachibana D26/28

(71) Applicants: **Jinichi Sato**, Saitama (JP); **Shingo Hatori**, Hachioji (JP); **Ken Iwasaki**, Hachioji (JP)

OTHER PUBLICATIONS

Motorauthority.com, URL: http://www.motorauthority.com/image/100404524_2013-toyota-tacoma-2wd-access-cab-i4-at-prerunner-natl-headlight; Model: Tacoma Mfg.: Toyota, Jul. 4, 2014.
Motortrend.com, URL: http://www.motortrend.com/roadtests/trucks/1311_2015_chevrolet_colorado_first_look/photo_26.html; Model: Chevrolet Colorado; Mfg.: General Motors corp., Jul. 4, 2014.
Netcarshow.com, URL: <http://www.netcarshow.com/gmc/2013-acadia/>; Model: GMC Acadia; Mfg.: General Motors Corp., Jul. 4, 2014.

(72) Inventors: **Jinichi Sato**, Saitama (JP); **Shingo Hatori**, Hachioji (JP); **Ken Iwasaki**, Hachioji (JP)

(73) Assignee: **Toyota Jidosha Kabushiki Kaisha**, Toyota-shi, Aichi-ken (JP)

(**) Term: **14 Years**

* cited by examiner

(21) Appl. No.: **29/506,681**

Primary Examiner — Marcus Jackson

(22) Filed: **Oct. 17, 2014**

(74) *Attorney, Agent, or Firm* — Finnegan, Henderson, Farabow, Garrett & Dunner, L.L.P.

(51) **LOC (10) Cl.** **26-06**

(52) **U.S. Cl.**
USPC **D26/28**

(57) **CLAIM**

The ornamental design for a front combination lamp for an automobile, as shown and described.

(58) **Field of Classification Search**
USPC D26/28-36; 362/459-468, 475-478, 362/485-487

DESCRIPTION

CPC F21S 48/00; F21S 48/10; F21S 48/115; F21S 48/225; F21S 48/1233; F21S 48/1266; F21S 48/1388; F21S 48/2268; F21V 21/04
See application file for complete search history.

FIG. 1 is a front perspective view of a front combination lamp for an automobile of our new design;
FIG. 2 is a front view thereof;
FIG. 3 is a rear view thereof;
FIG. 4 is a left side view thereof;
FIG. 5 is a right side view thereof;
FIG. 6 is a top plan view thereof; and,
FIG. 7 is a bottom view thereof.
Our design includes the mirror image of the embodiment depicted.

(56) **References Cited**

U.S. PATENT DOCUMENTS

D528,681 S * 9/2006 Nakahara D26/28
D528,685 S * 9/2006 Yoshida D26/28
D544,114 S * 6/2007 Ohta D26/28

1 Claim, 7 Drawing Sheets

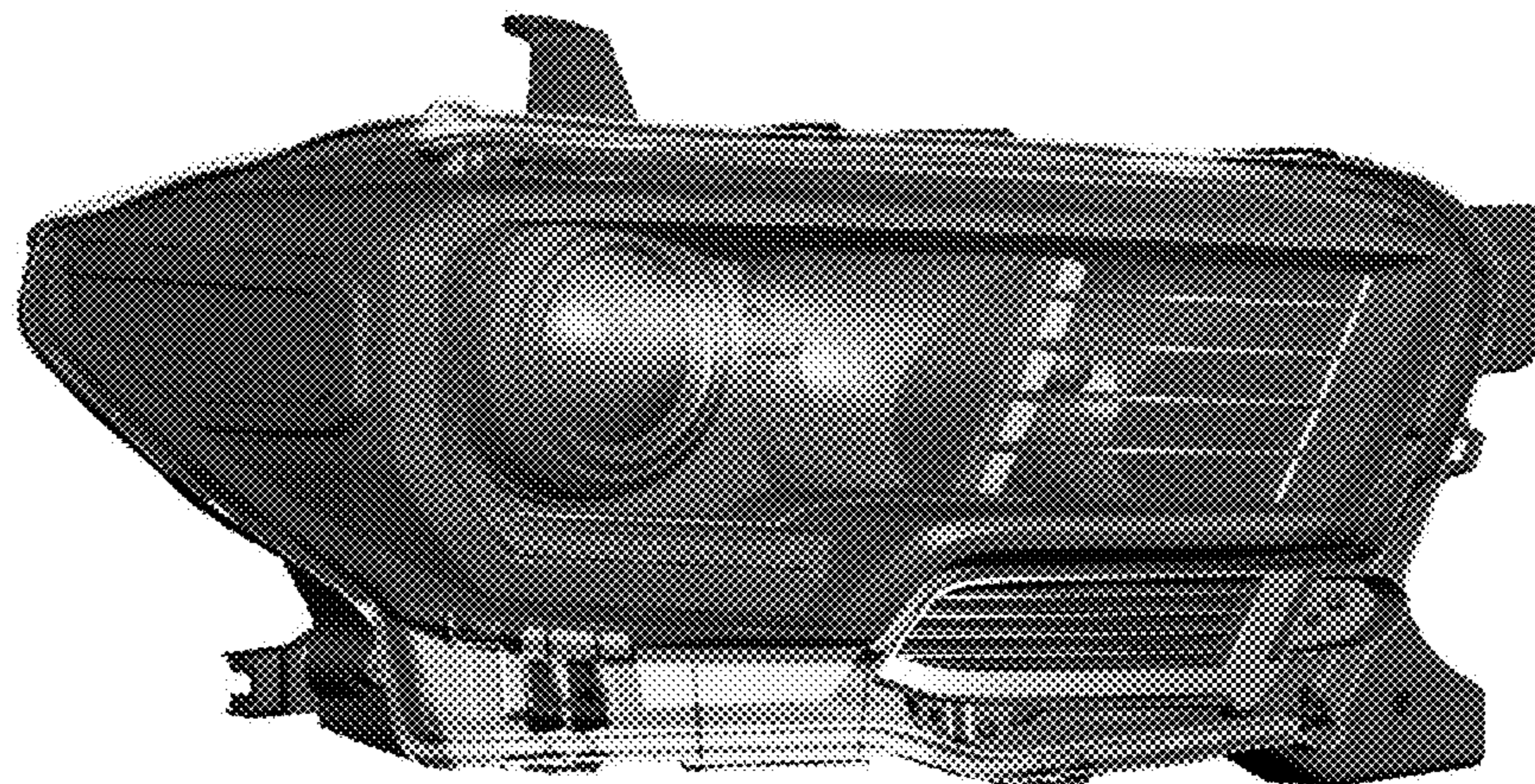




FIG. 1



FIG. 2

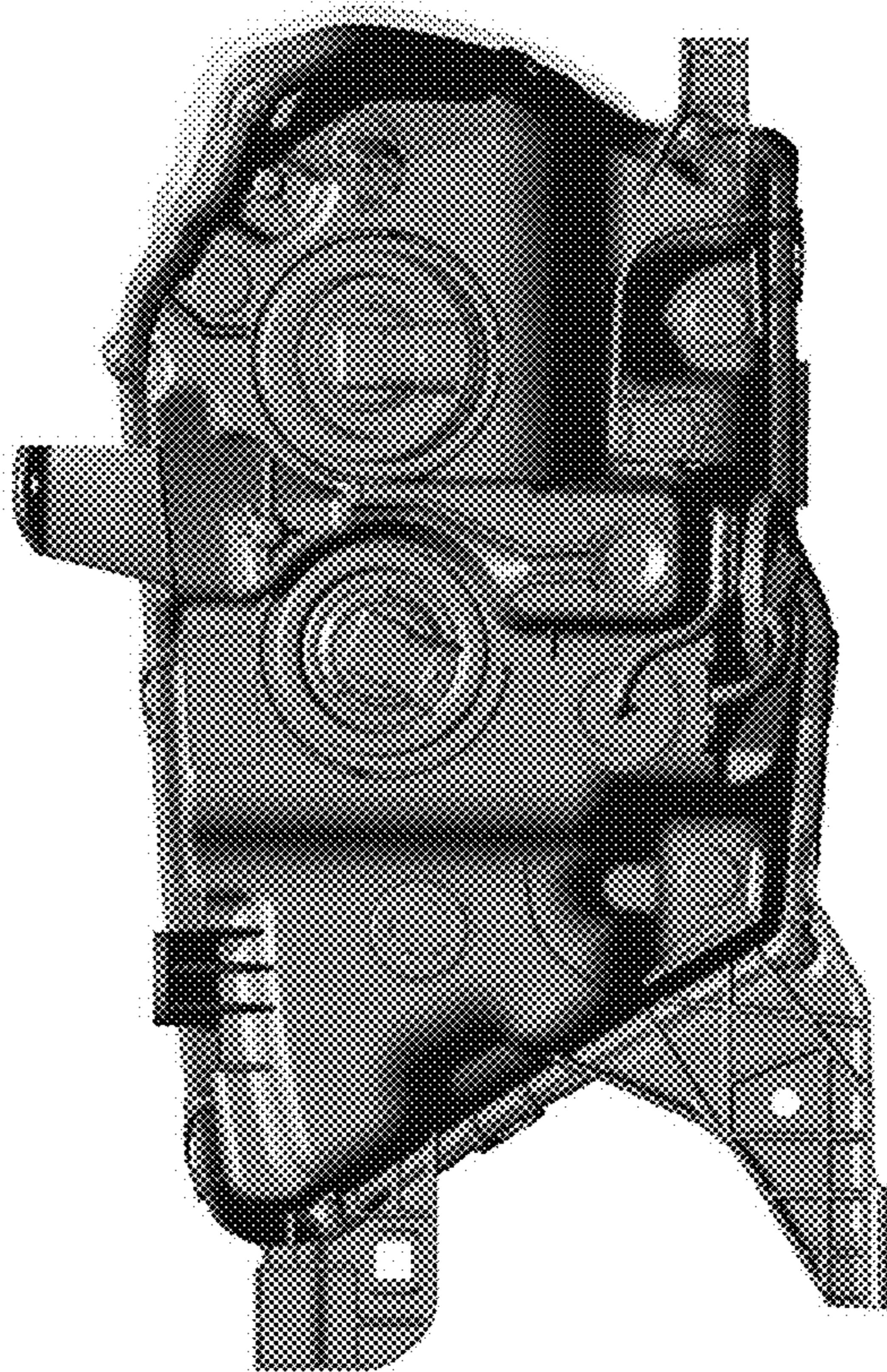


FIG. 3

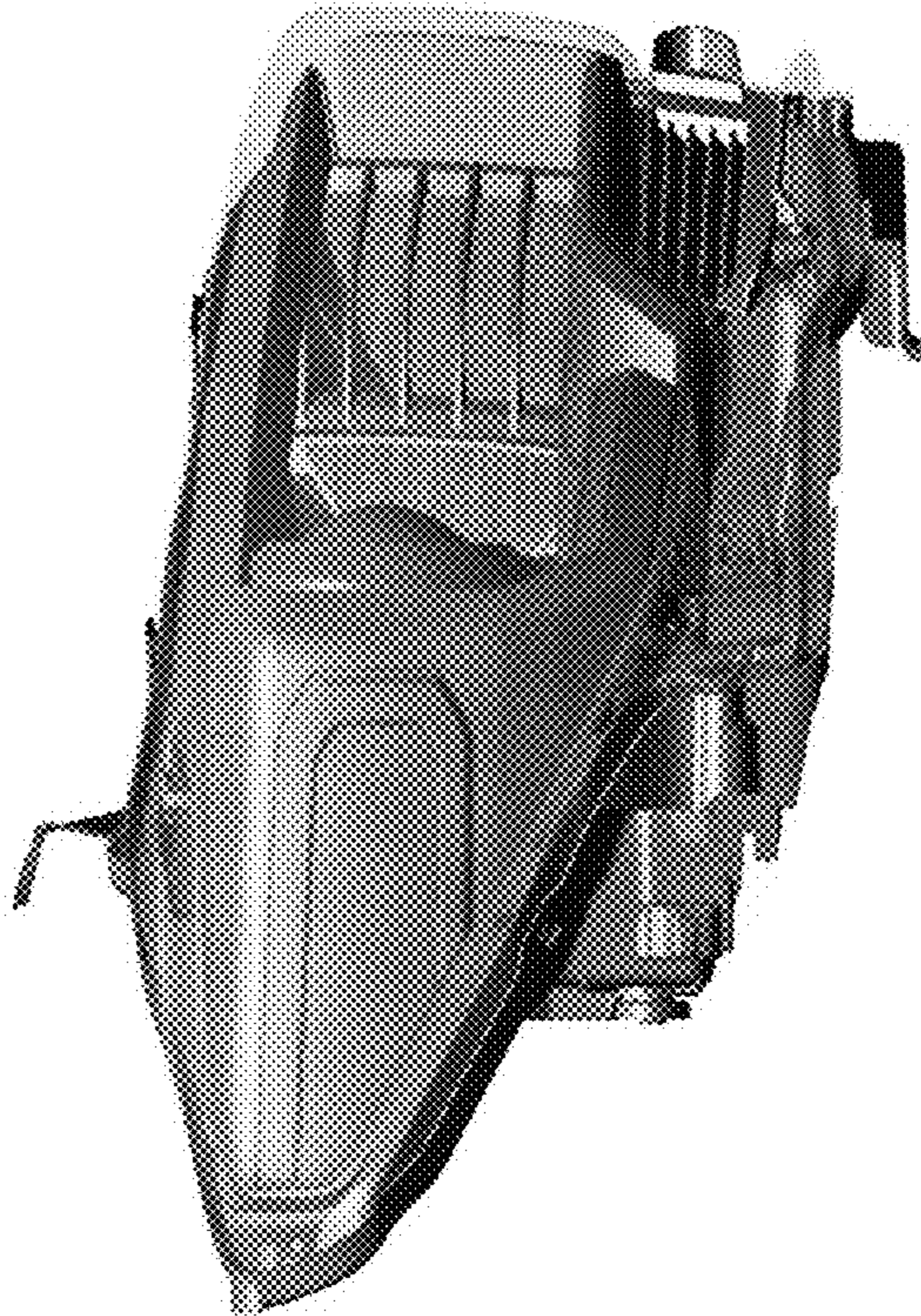


FIG. 4

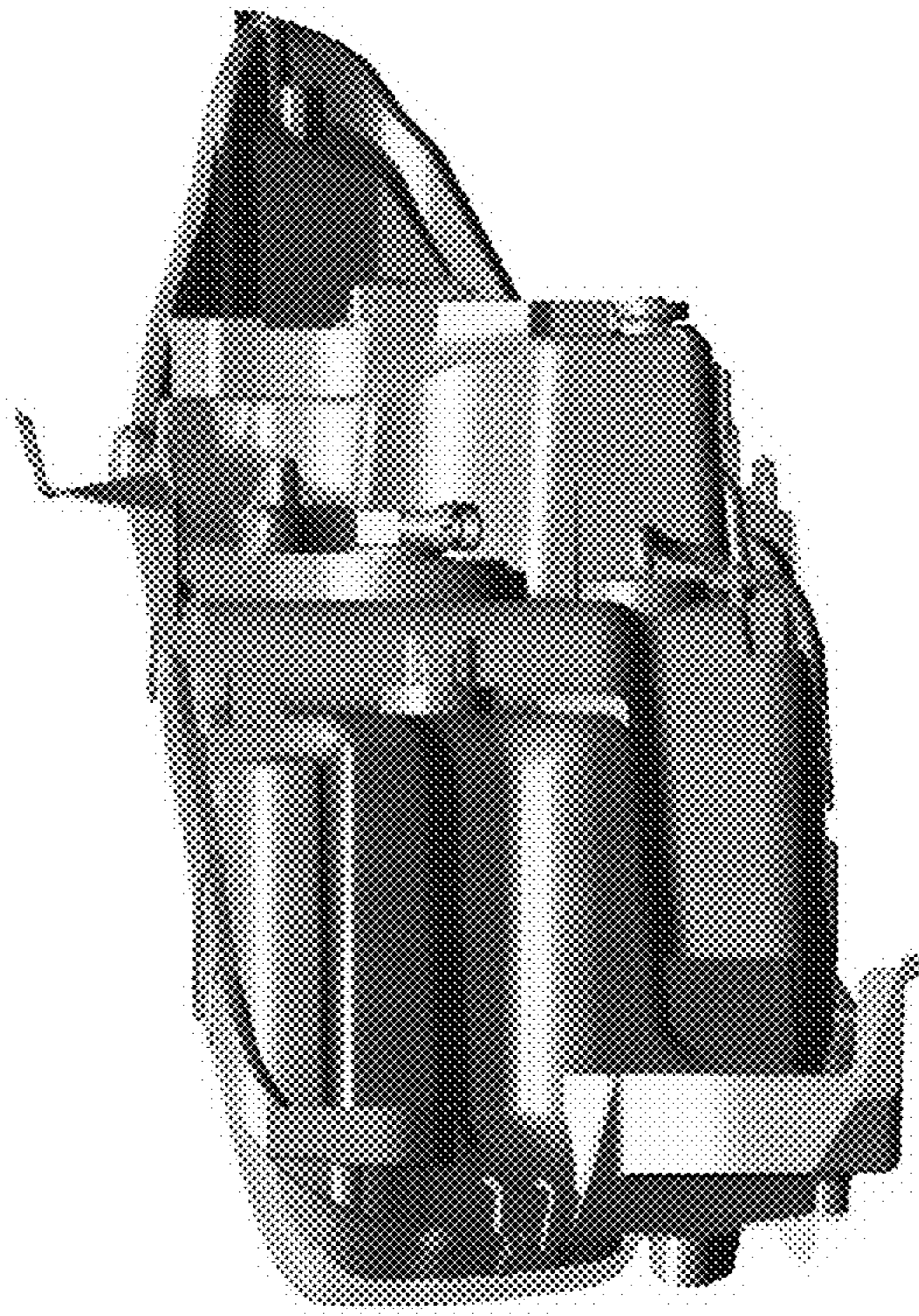


FIG. 5

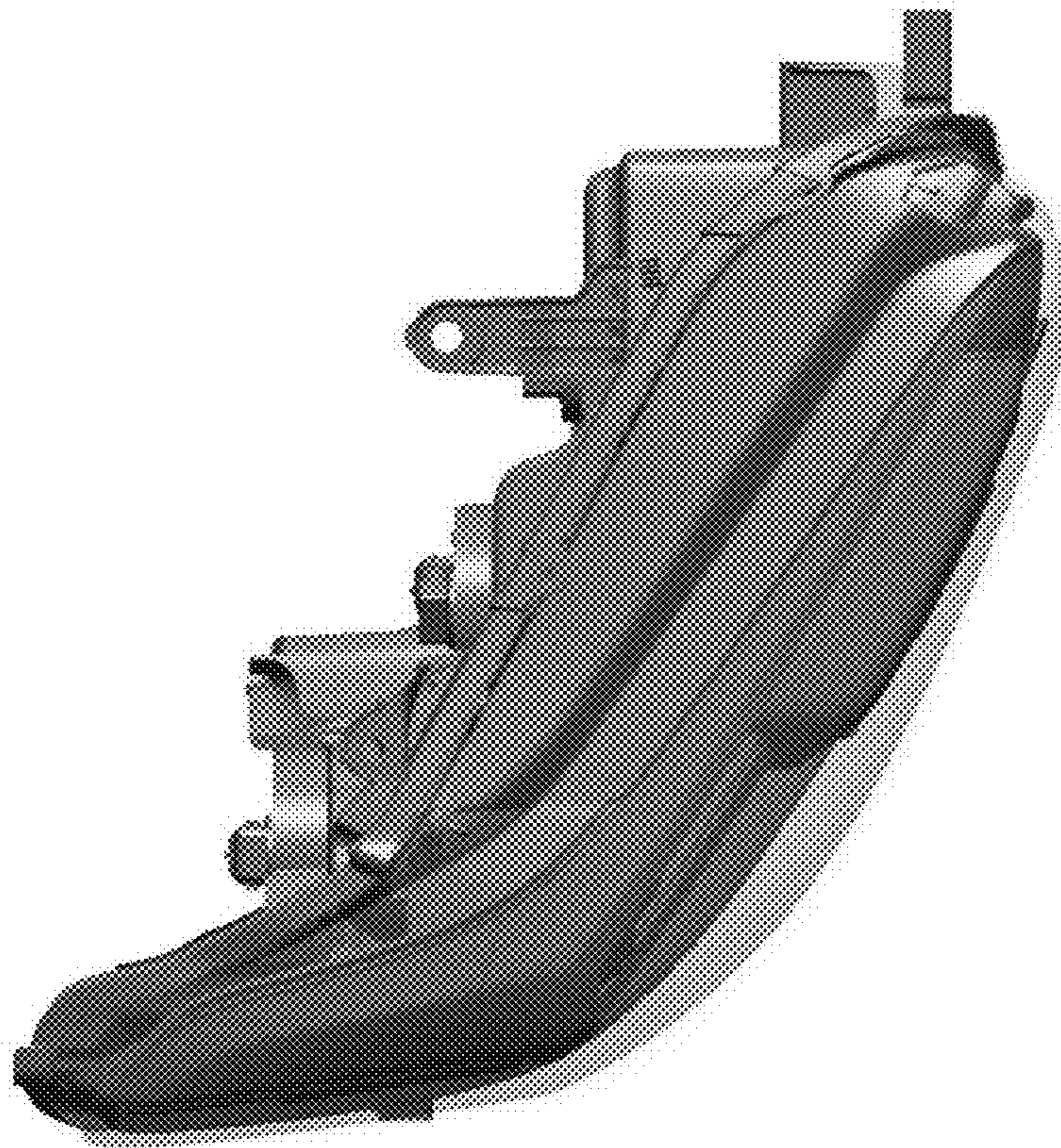


FIG. 6

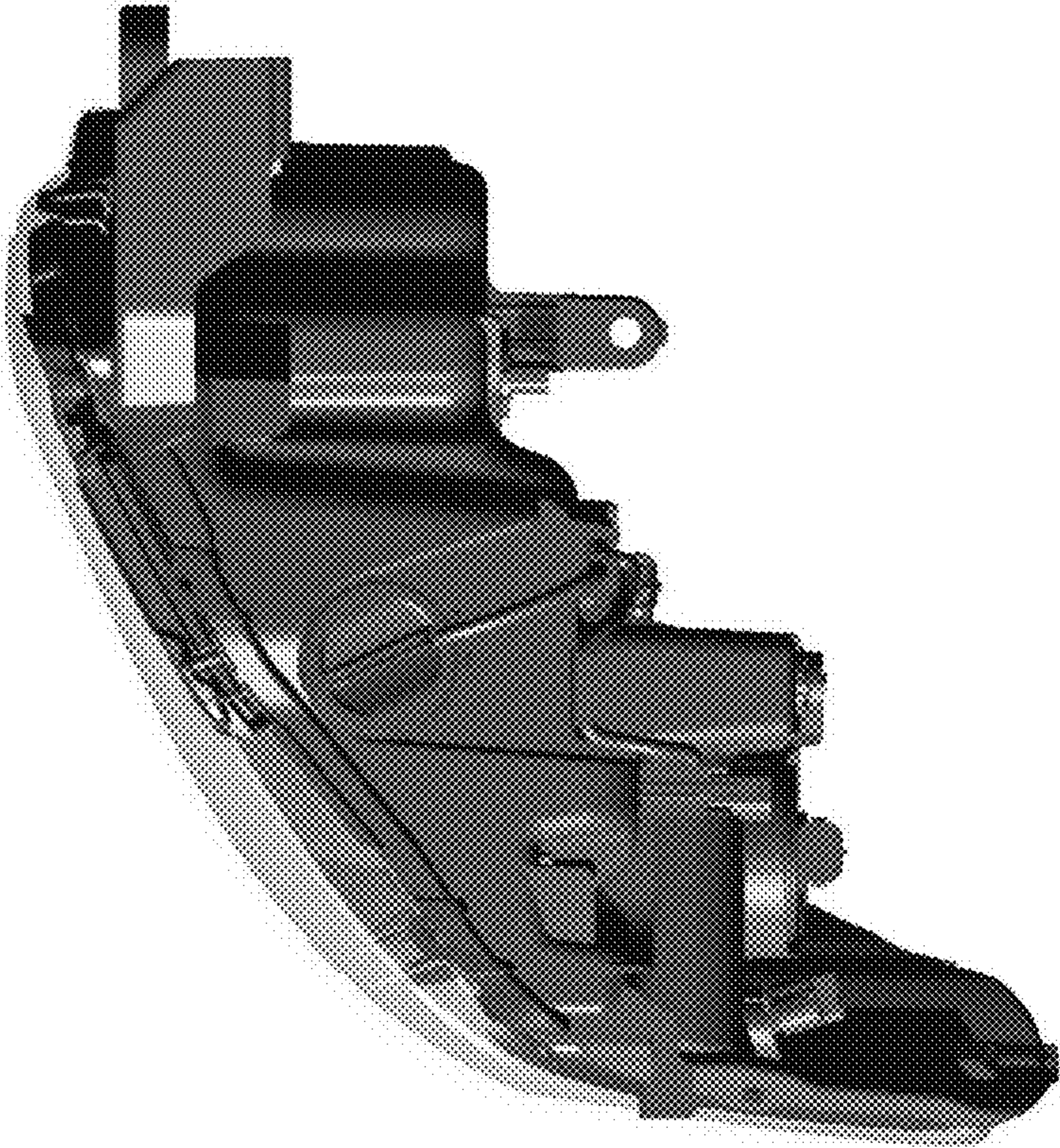


FIG. 7