



US00D748301S

(12) **United States Design Patent**
Sperling et al.

(10) **Patent No.:** **US D748,301 S**
(45) **Date of Patent:** **** Jan. 26, 2016**

(54) **FRONT COMBINATION LAMP FOR AN AUTOMOBILE**

D718,893 S * 12/2014 Lai D26/28
D721,196 S * 1/2015 Lai D26/28
D722,188 S * 2/2015 Futschik et al. D26/28

(71) Applicants: **Matthew Niven Sperling**, Huntington Beach, CA (US); **Kengo Iwanaga**, Ann Arbor, MI (US); **Justin Ea**, Ann Arbor, MI (US)

OTHER PUBLICATIONS

Autoblog.com; URL: <http://www.autoblog.com/2013/01/29/2013-toyota-camry-hybrid-review/>; Model: Toyota Camry 2013; Mfg.: TOYOTA (Sep. 13, 2013).

(72) Inventors: **Matthew Niven Sperling**, Huntington Beach, CA (US); **Kengo Iwanaga**, Ann Arbor, MI (US); **Justin Ea**, Ann Arbor, MI (US)

Netcarshow.com; URL: http://www.netcarshow.com/hyundai/2011-sonata/1024x768/wallpaper_47.htm; Model: Hyundai Sonata (2011); Mfg.: HYUNDAI (Sep. 13, 2013).

(73) Assignee: **Toyota Jidosha Kabushiki Kaisha**, Toyota-shi, Aichi-ken (JP)

Autoblog.com; URL: <http://jp.autoblog.com/photos/2013-toyota-avalon-first-drive-photos/>; Model: Toyota Avalon (2013); Mfg.: TOYOTA (Sep. 13, 2013).

(**) Term: **14 Years**

Netcarshow.com; URL: http://www.netcarshow.com/mercedes-benz/2014-e-class/800x600/wallpaper_82.htm; Model: Mercedes-Benz E-Class (2014); Mfg.: Mercedes-Benz (Sep. 13, 2013).

(21) Appl. No.: **29/485,748**

* cited by examiner

(22) Filed: **Mar. 21, 2014**

Primary Examiner — Clare E Heflin

(51) **LOC (10) Cl.** **26-06**

(74) *Attorney, Agent, or Firm* — Finnegan, Henderson, Farabow, Garrett & Dunner, LLP

(52) **U.S. Cl.**

USPC **D26/28**

(58) **Field of Classification Search**

USPC D26/28–36, 139

CPC F21S 48/10; F21S 48/115; F21S 48/145;

F21S 48/1109; F21S 48/1168; F21S 48/1186

See application file for complete search history.

(57) **CLAIM**

The ornamental design for a front combination lamp for an automobile, as shown and described.

DESCRIPTION

(56) **References Cited**

U.S. PATENT DOCUMENTS

D704,870 S * 5/2014 Kim et al. D26/28
D705,466 S * 5/2014 Wada D26/28
D706,471 S * 6/2014 Lai D26/28
D708,375 S * 7/2014 Endo D26/28
D708,767 S * 7/2014 Minaminsawa et al. D26/28
D709,223 S * 7/2014 Lai D26/28
D709,631 S * 7/2014 Sato D26/28
D710,522 S * 8/2014 Kwon et al. D26/28
D714,977 S * 10/2014 Lee et al. D26/28
D715,978 S * 10/2014 Loeb D26/28

FIG. 1 is a front perspective view of a front combination lamp for an automobile of our new design;

FIG. 2 is a front view thereof;

FIG. 3 is a rear view thereof;

FIG. 4 is a top plan view thereof;

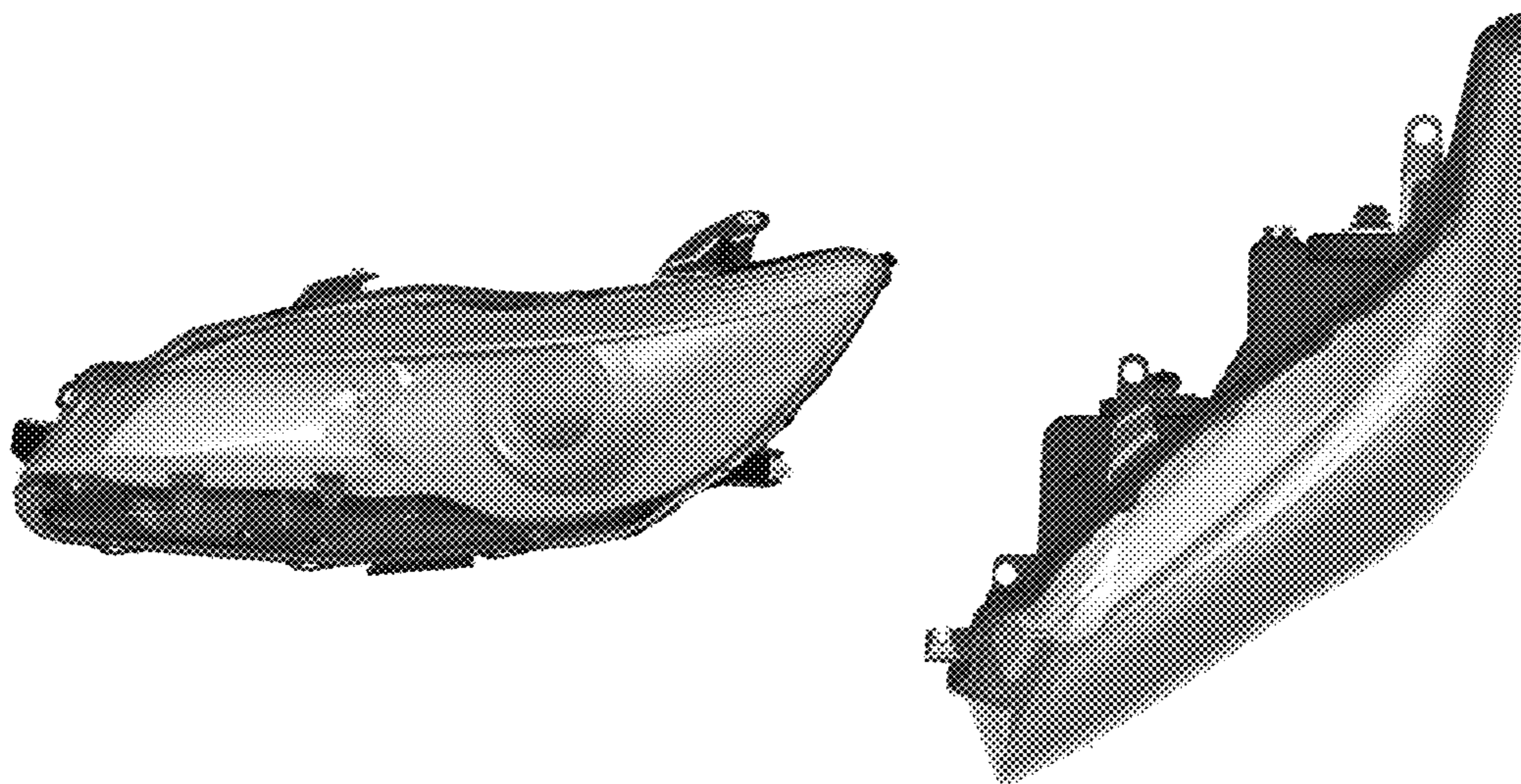
FIG. 5 is a bottom view thereof;

FIG. 6 is a right side view thereof; and,

FIG. 7 is a left side view thereof.

Our design includes a mirror image of the embodiment depicted.

1 Claim, 7 Drawing Sheets



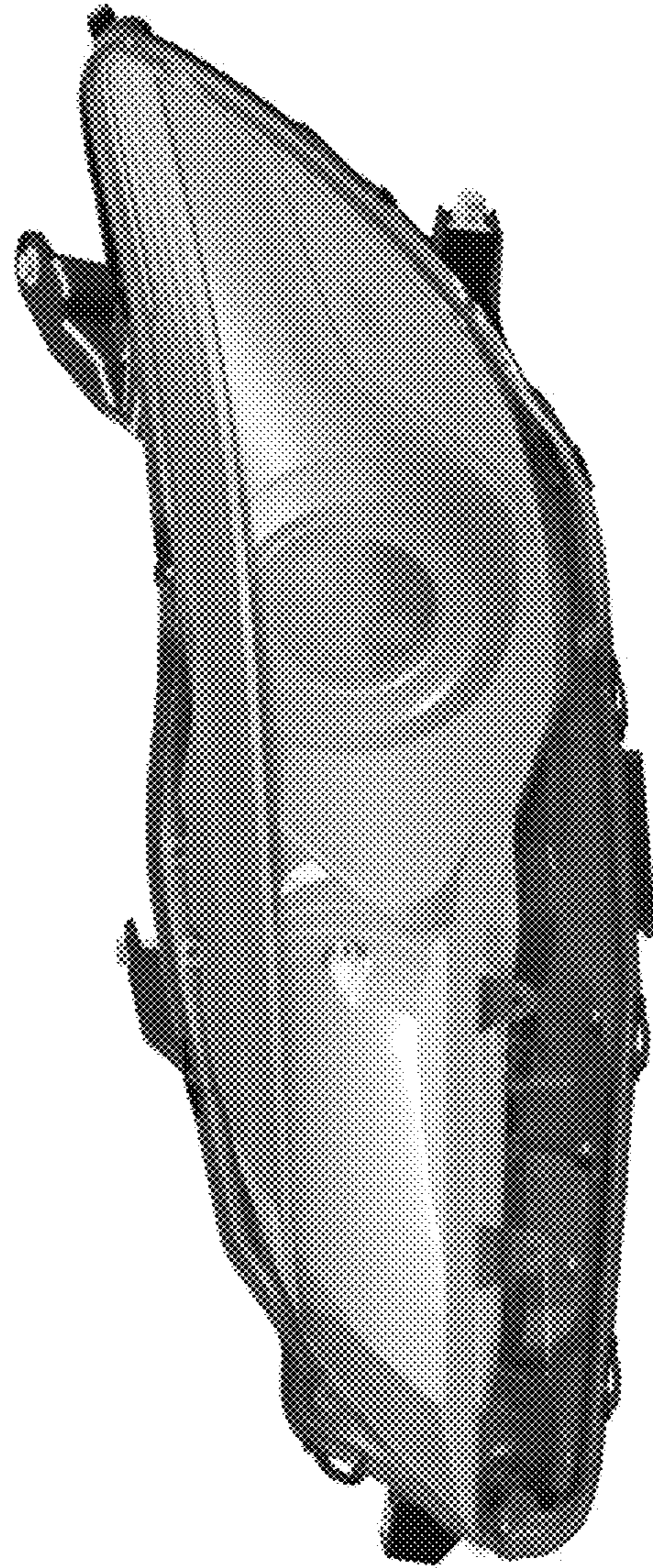


FIG. 1

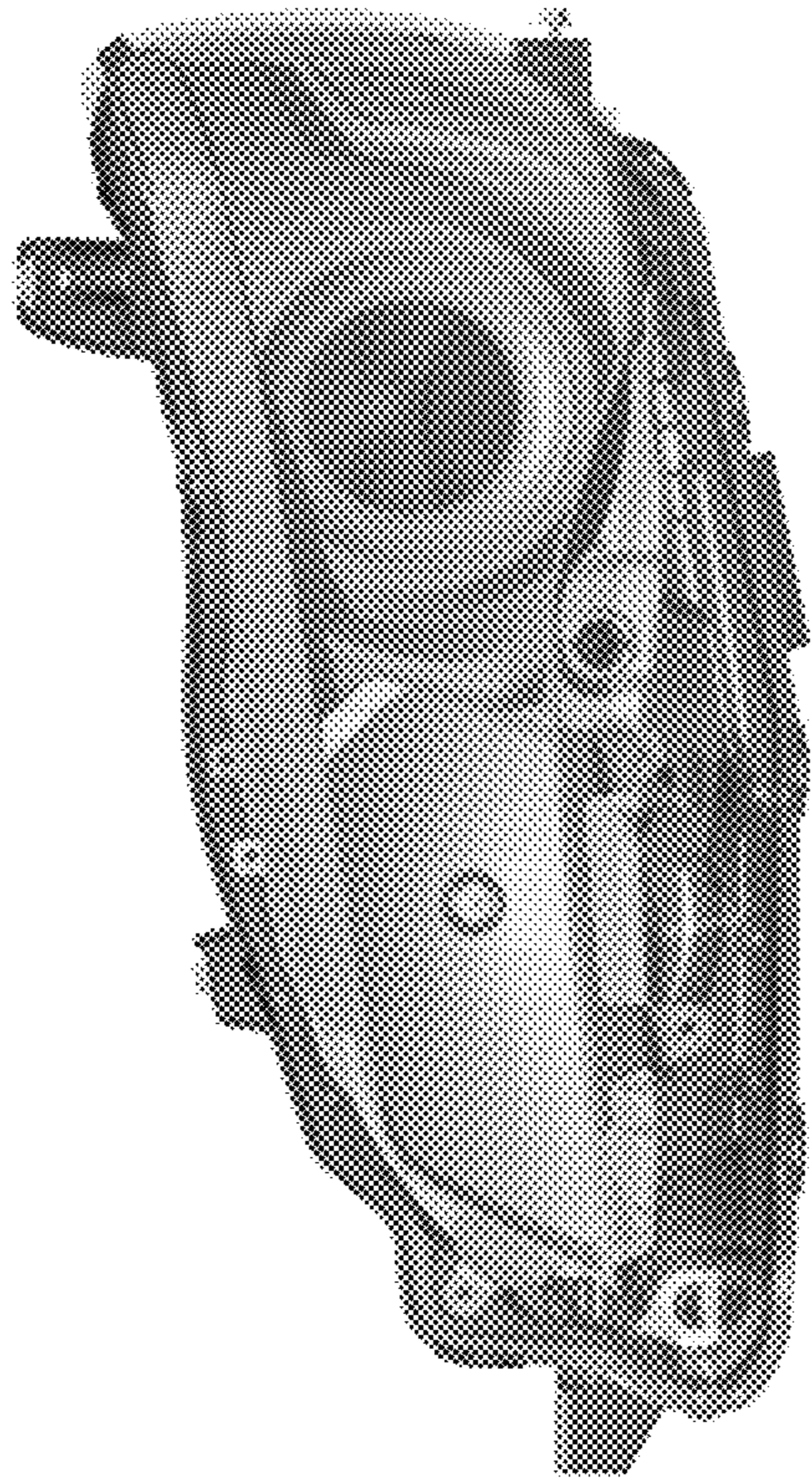


FIG. 2

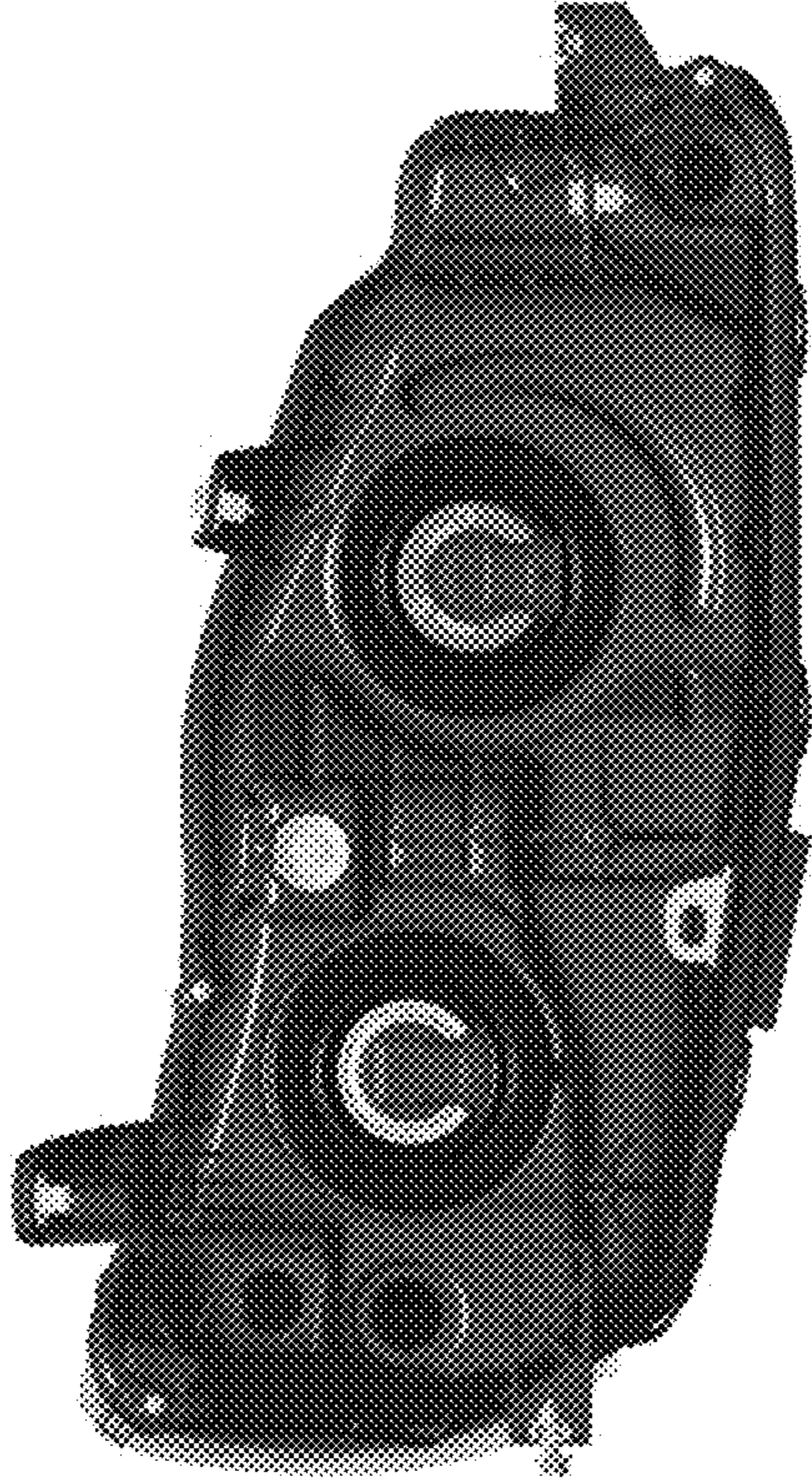


FIG. 3

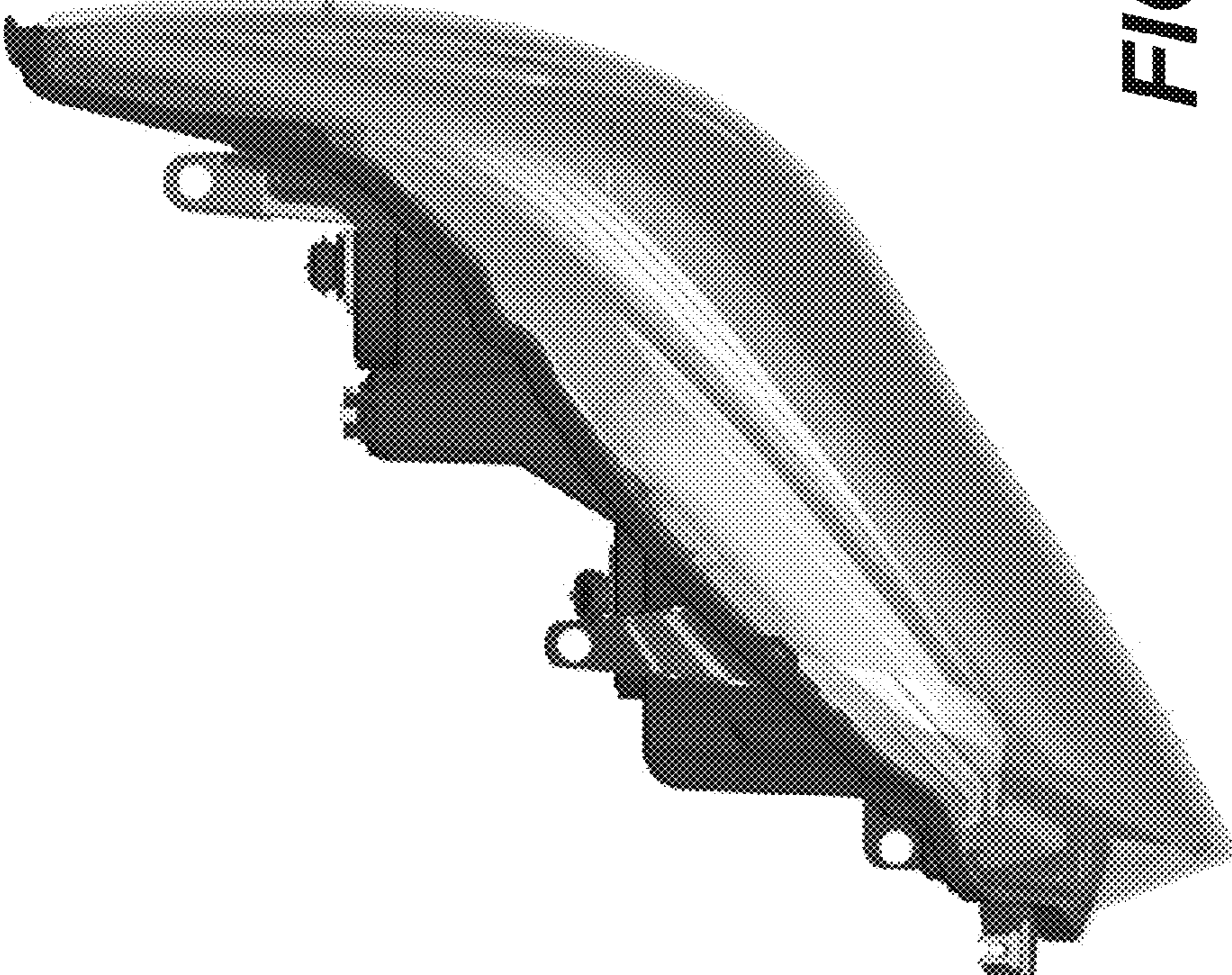


FIG. 4

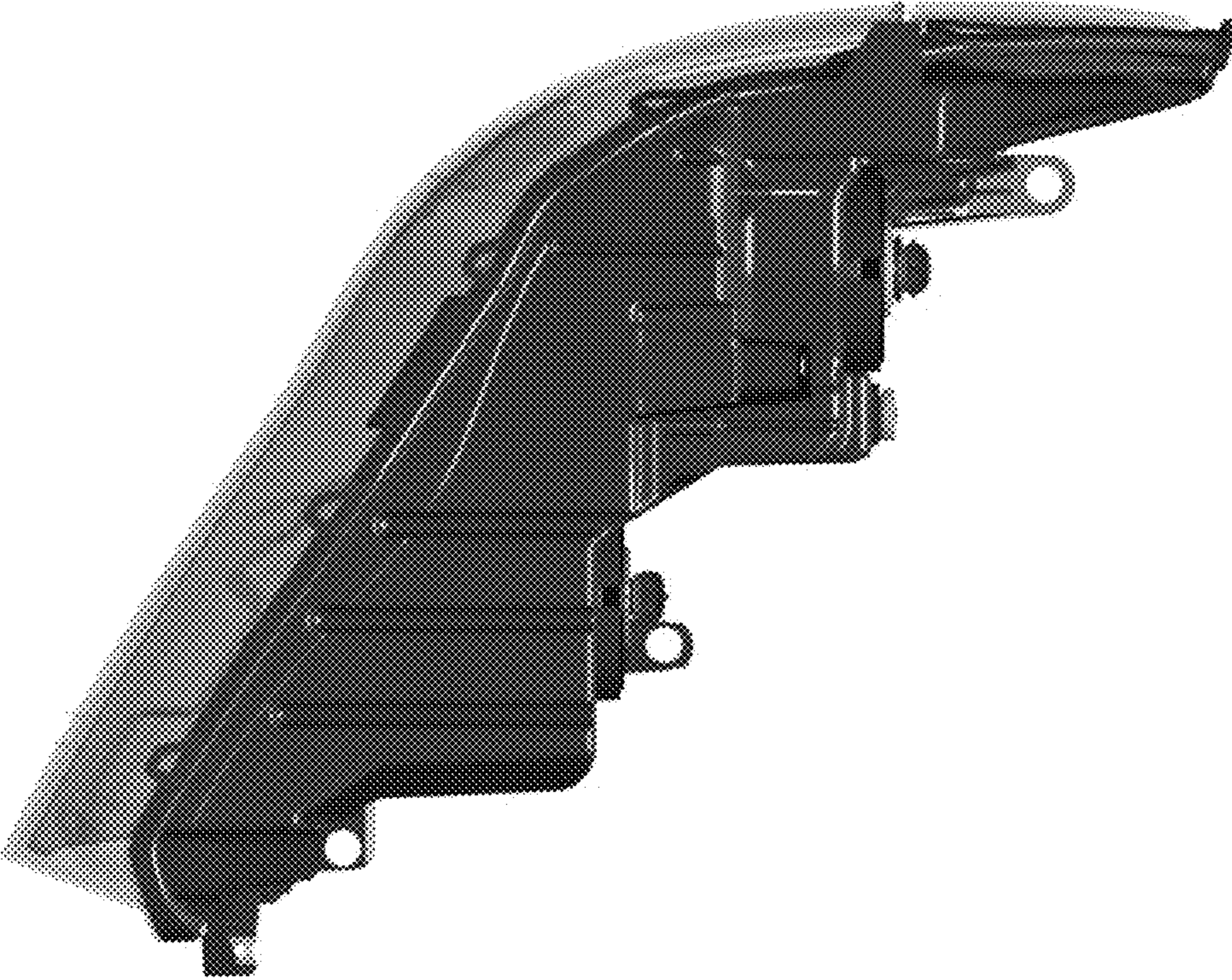


FIG. 5

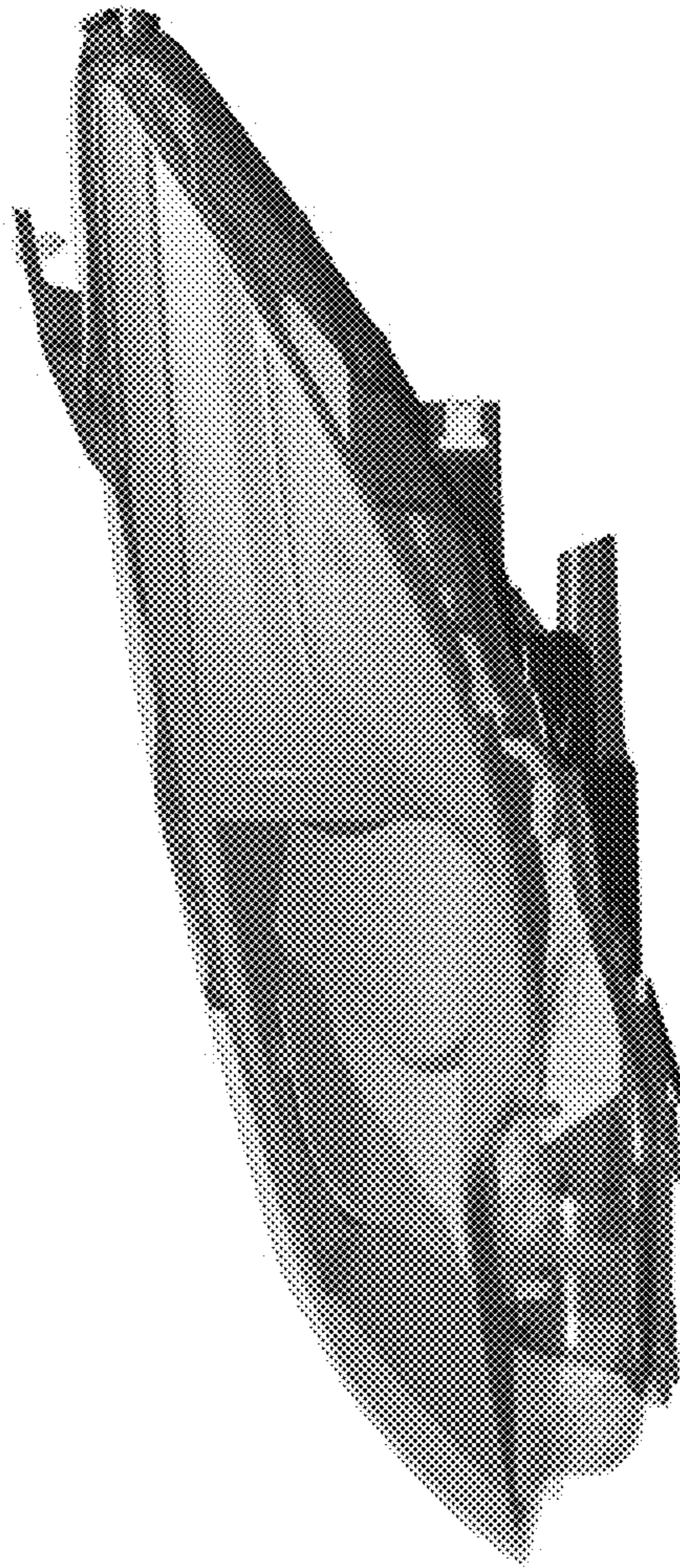


FIG. 6

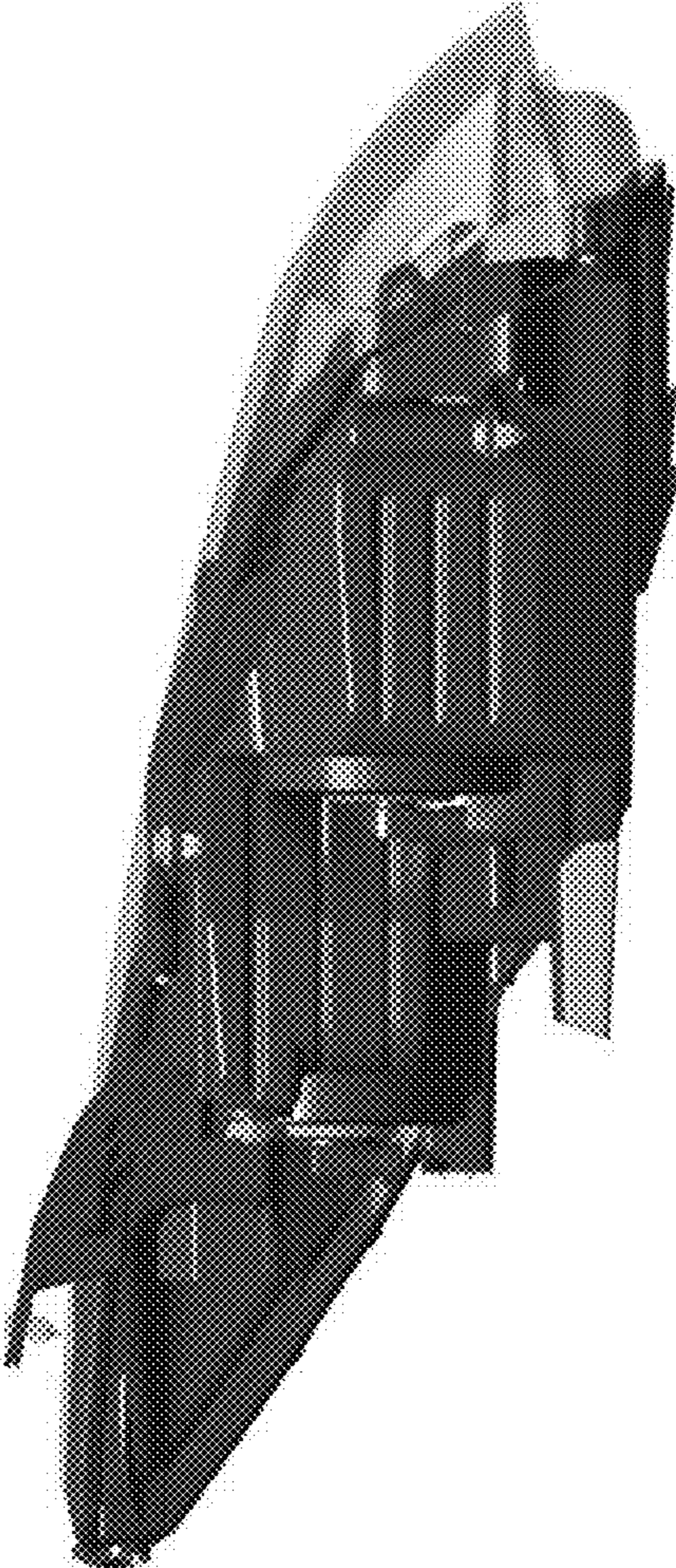


FIG. 7