



US00D748298S

(12) **United States Design Patent**
Li

(10) **Patent No.:** **US D748,298 S**
(45) **Date of Patent:** **** Jan. 26, 2016**

(54) **ELECTRONIC TAPER CANDLE HAVING A
FLAME-SHAPED ELEMENT ILLUMINATED
FROM TWO SIDES THEREOF**

(71) Applicant: **Xiaofeng Li**, Shenzhen (CN)

(72) Inventor: **Xiaofeng Li**, Shenzhen (CN)

(**) Term: **14 Years**

(21) Appl. No.: **29/493,996**

(22) Filed: **Jun. 16, 2014**

(51) **LOC (10) Cl.** **26-04**

(52) **U.S. Cl.**
USPC **D26/5**

(58) **Field of Classification Search**
USPC D26/1-5; 431/21, 144, 289; 362/157,
362/161, 569, 461

See application file for complete search history.

(56) **References Cited**

U.S. PATENT DOCUMENTS

D102,561	S	*	12/1936	Lamb	D26/5
2,509,219	A	*	5/1950	Desmond et al.	362/235
4,328,534	A		5/1982	Abe		
4,551,794	A		11/1985	Sandell		
6,454,425	B1		9/2002	Lin		
7,159,994	B2		1/2007	Schnuckle		
D545,458	S	*	6/2007	Jensen	D26/5
7,261,455	B2		8/2007	Schnuckle		
D567,993	S		4/2008	Shiu		
D576,317	S	*	9/2008	Jensen	D26/5
D589,176	S		3/2009	Huang et al.		
D599,491	S		9/2009	Luo		
7,686,471	B2		3/2010	Reichow		
7,837,355	B2		11/2010	Schnuckle		

(Continued)

FOREIGN PATENT DOCUMENTS

CN	2551859	5/2003
CN	2562059	7/2003

(Continued)

OTHER PUBLICATIONS

U.S. Appl. No. 29/450,118, filed Mar. 15, 2013, Li.

(Continued)

Primary Examiner — Marcus Jackson

(74) *Attorney, Agent, or Firm* — Perkins Coie LLP

(57) **CLAIM**

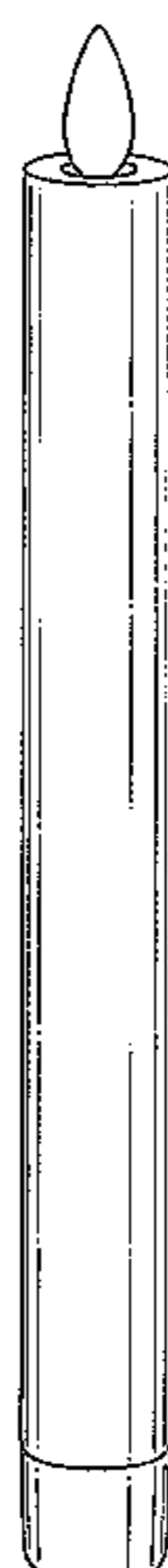
The ornamental design for an electronic taper candle having a flame-shaped element illuminated from two sides thereof, as shown and described.

DESCRIPTION

FIG. 1 is an isometric view of the electronic taper candle; FIG. 2 is a front view of the electronic taper candle of FIG. 1; FIG. 3 is a rear view of the electronic taper candle of FIG. 1; FIG. 4 is a left side view of the electronic taper candle of FIG. 1; FIG. 5 is a right side view of the electronic taper candle of FIG. 1; FIG. 6 is a top view of the electronic taper candle of FIG. 1, illustrating the two light sources providing illumination to the flame-shaped element; FIG. 7 is a bottom view of the electronic taper candle of FIG. 1; and, FIG. 8 is a cross-sectional view of the electronic taper candle of FIG. 1 cut along centering lines 8-8 as shown in FIGS. 4 and 5, illustrating the two light sources providing illumination to the flame-shaped element.

The broken lines of FIGS. 7 and 8 are provided for purposes of illustration and form no part of the claimed design of the present application. However, the broken lines are intended to provide explicit disclosure as to presently unclaimed portions of the design, and Applicants reserve the right to pursue and claim such other presently unclaimed portions in one or more continuation applications.

1 Claim, 5 Drawing Sheets



(56)

References Cited

OTHER PUBLICATIONS

U.S. PATENT DOCUMENTS

2003/0053305	A1	3/2003	Lin
2004/0165374	A1	8/2004	Robinson
2007/0002560	A1	1/2007	Gutstein et al.
2007/0159422	A1	7/2007	Blandino et al.
2008/0129226	A1	6/2008	DeWitt et al.
2010/0079999	A1	4/2010	Schnuckle
2012/0134157	A1	5/2012	Li

FOREIGN PATENT DOCUMENTS

CN	201103952	8/2008
CN	201159425	12/2008
CN	101865413	10/2010
CN	102748589	10/2012
GB	2323159	9/1998
GB	2379731	3/2003
WO	2006020839	2/2006

U.S. Appl. No. 29/450,125, filed Mar. 15, 2013, Li.
U.S. Appl. No. 29/443,863, filed Jan. 23, 2013, Li.
U.S. Appl. No. 29/493,987, filed Jun. 16, 2014, Li.
U.S. Appl. No. 29/493,988, filed Jun. 16, 2014, Li.
U.S. Appl. No. 29/493,990, filed Jun. 16, 2014, Li.
U.S. Appl. No. 29/511,278, filed Dec. 9, 2014, Li.
U.S. Appl. No. 29/511,518, filed Dec. 11, 2014, Li.
U.S. Appl. No. 29/517,722, filed Feb. 16, 2015, Li.
U.S. Appl. No. 61/101,611, filed Sep. 30, 2008, Schnuckle.
International Search Report and Written Opinion for related PCT Application No. PCT/CN2014/073557 mailed Jul. 2, 2014 (11 pages).

* cited by examiner

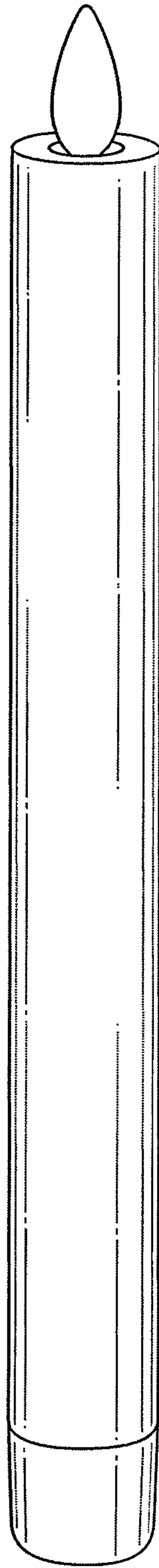


Fig. 1

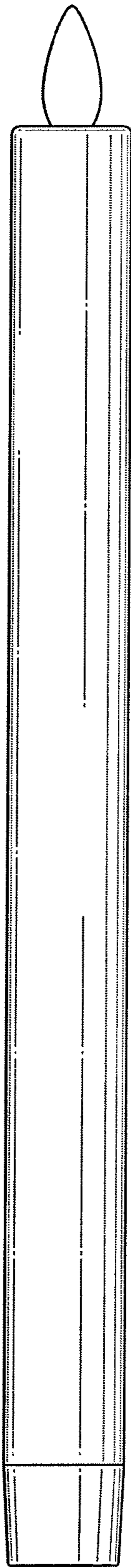


Fig. 2

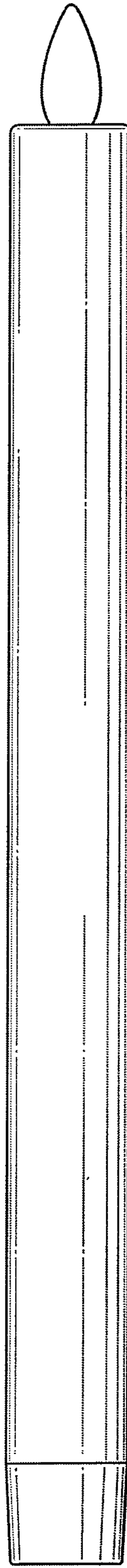


Fig. 3

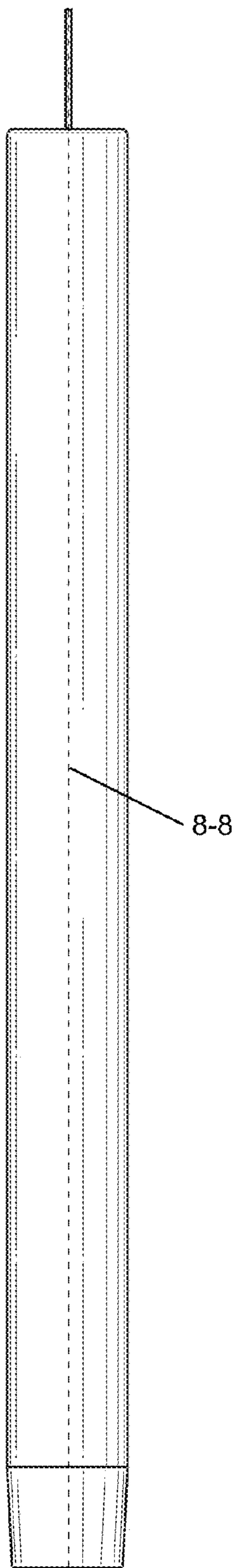


Fig. 4

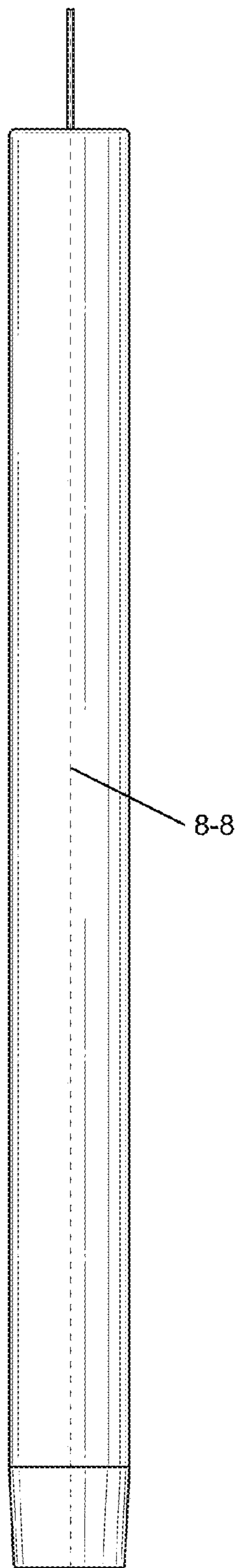


Fig. 5

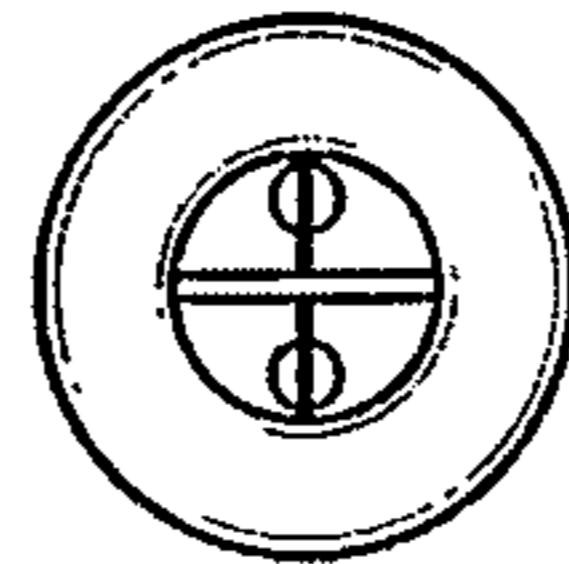


Fig. 6

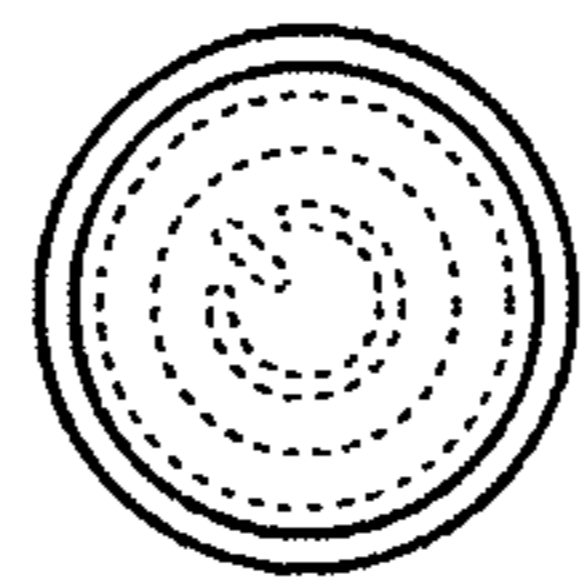


Fig. 7

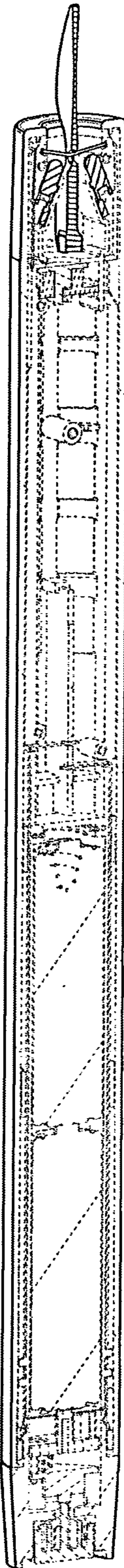


Fig. 8