



US00D748296S

(12) **United States Design Patent**
Reier et al.

(10) **Patent No.:** **US D748,296 S**
(45) **Date of Patent:** **** Jan. 26, 2016**

(54) **LED LAMP**

FOREIGN PATENT DOCUMENTS

(71) Applicant: **Cree, Inc.**, Durham, NC (US)

DE 102004042186 A1 3/2006
EP 1058221 A2 12/2000

(72) Inventors: **Bart P. Reier**, Cary, NC (US); **Curt Progl**, Raleigh, NC (US); **Mark Edmond**, Raleigh, NC (US)

(Continued)

(73) Assignee: **Cree, Inc.**, Durham, NC (US)

OTHER PUBLICATIONS

LEDnovation, ImproveLite Omni, 810 lumens.
(Continued)

(**) Term: **14 Years**

(21) Appl. No.: **29/484,541**

Primary Examiner — Ian Simmons
Assistant Examiner — Harold Blackwell, II

(22) Filed: **Mar. 11, 2014**

(74) *Attorney, Agent, or Firm* — Dennis J. Williamson;
Moore & Van Allen PLLC

Related U.S. Application Data

(63) Continuation-in-part of application No. 13/803,841,
filed on Mar. 14, 2013, now Pat. No. 9,052,093.

(51) **LOC (10) Cl.** **26-04**

(52) **U.S. Cl.**
USPC **D26/2**

(58) **Field of Classification Search**
USPC D26/1-4, 113, 118; 313/313, 315, 316,
313/317, 318, 493, 501; 315/52, 53, 56, 57,
315/58; 1/1; 362/249.02
CPC F21K 9/135; F21K 9/1375; F21K 9/13
See application file for complete search history.

(57) **CLAIM**

We claim the ornamental design for a LED lamp, as shown
and described.

DESCRIPTION

FIG. 1 is a front view showing an embodiment of our new
design for a LED lamp;
FIG. 2 is a right side view showing our new design shown in
FIG. 1;
FIG. 3 is a left side view showing our new design shown in
FIG. 1;
FIG. 4 is a back view showing our new design shown in FIG.
1;
FIG. 5 is a top view showing our new design shown in FIG. 1;
FIG. 6 is a bottom view showing our new design shown in
FIG. 1;
FIG. 7 is a top perspective view showing our new design
shown in FIG. 1; and,
FIG. 8 is a bottom perspective view showing our new design
shown in FIG. 1.
The broken lines in the drawings illustrate portions of a LED
Lamp which form no part of the claimed design.

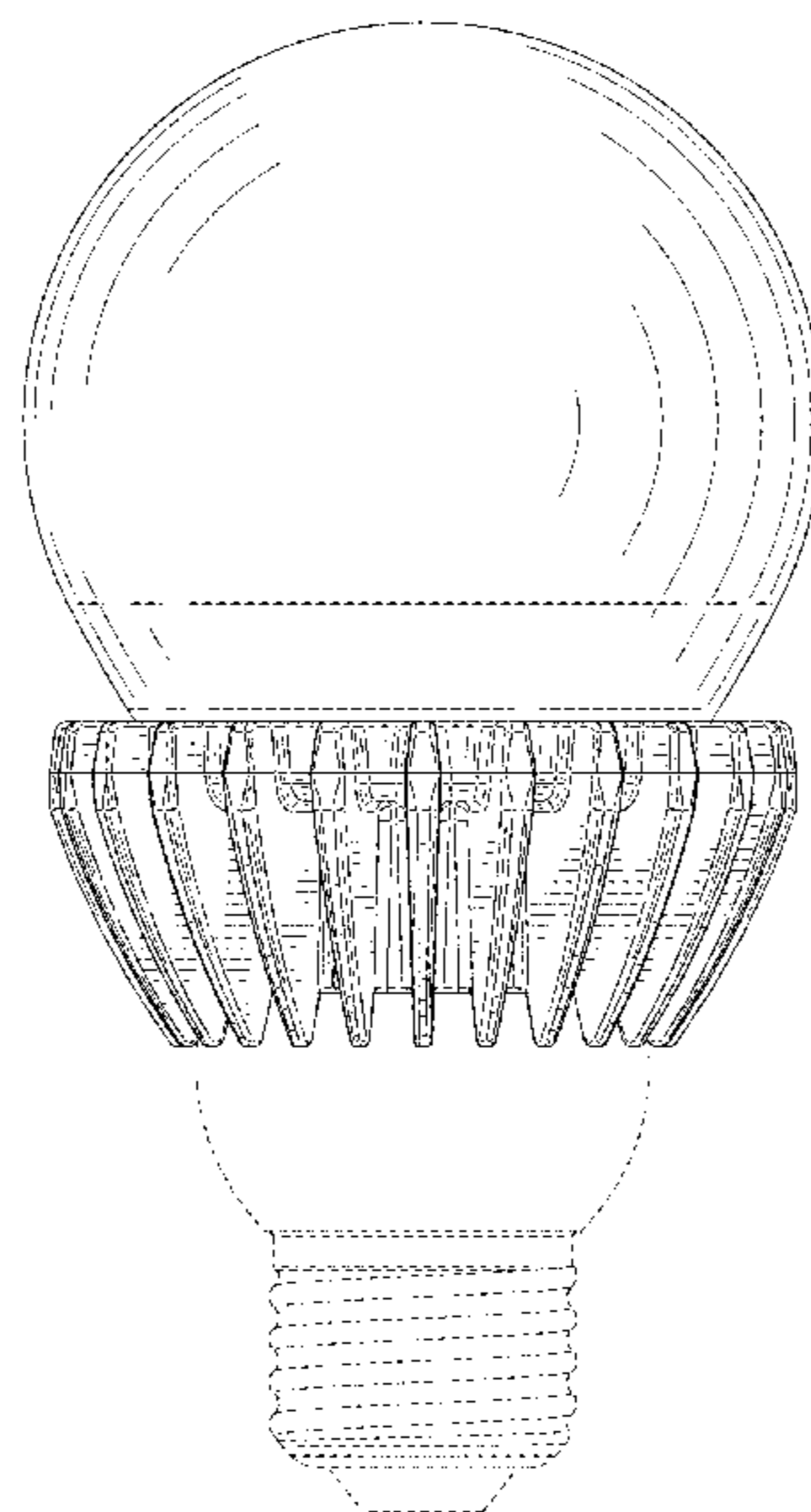
(56) **References Cited**

U.S. PATENT DOCUMENTS

5,463,280 A 10/1995 Johnson
5,585,783 A 12/1996 Hall
5,655,830 A 8/1997 Ruskouski
5,688,042 A 11/1997 Madadi et al.
5,947,588 A 9/1999 Huang
5,949,347 A 9/1999 Wu
5,952,916 A 9/1999 Yamabe

(Continued)

1 Claim, 7 Drawing Sheets



(56)

References Cited

U.S. PATENT DOCUMENTS

6,220,722 B1 4/2001 Begemann
 6,276,822 B1 8/2001 Bedrosian et al.
 6,452,217 B1 9/2002 Wojnarowski et al.
 6,465,961 B1 10/2002 Cao
 6,634,770 B2 10/2003 Cao
 6,635,987 B1 10/2003 Wojnarowski et al.
 6,746,885 B2 6/2004 Cao
 D494,688 S 8/2004 Van De Ven et al.
 D531,741 S 11/2006 Takahashi
 D538,935 S 3/2007 Eddy et al.
 D538,951 S 3/2007 Maxik et al.
 D538,953 S 3/2007 Mama
 D542,426 S 5/2007 Itaya et al.
 7,213,940 B1 5/2007 Van De Ven et al.
 D544,109 S 6/2007 Tsuruha et al.
 D546,980 S 7/2007 Lo
 D549,361 S 8/2007 To et al.
 D600,367 S 9/2009 Bertram et al.
 D613,887 S 4/2010 Lee et al.
 D617,475 S 6/2010 Hiraga et al.
 D617,918 S 6/2010 Yamamoto et al.
 D628,721 S 12/2010 Lee
 D634,031 S 3/2011 De Visser et al.
 7,965,023 B1 6/2011 Liang
 D647,641 S 10/2011 Lin et al.
 D648,872 S 11/2011 Kim et al.
 D660,990 S * 5/2012 Le et al. D26/2
 8,282,249 B2 10/2012 Liang et al.
 D671,238 S * 11/2012 Du et al. D26/2
 D676,159 S 2/2013 Lee et al.
 8,427,037 B2 4/2013 Liang et al.
 D687,580 S 8/2013 Reier et al.
 8,556,465 B2 10/2013 Lee et al.
 D693,948 S 11/2013 Reier et al.
 D698,952 S 2/2014 Lay et al.
 D702,375 S * 4/2014 Pickard et al. D26/2
 8,926,131 B2 * 1/2015 Johnston et al. 362/249.02
 8,956,017 B2 * 2/2015 Ioka et al. 362/362
 9,024,517 B2 * 5/2015 Yuan et al. 313/501
 D731,093 S * 6/2015 Wang et al. D26/2
 D731,094 S * 6/2015 Wang et al. D26/2
 D731,683 S * 6/2015 Wang et al. D26/2
 D731,684 S * 6/2015 Wang et al. D26/2
 D732,210 S * 6/2015 Pickard et al. D26/2
 9,052,093 B2 * 6/2015 Pickard et al.
 2003/0214810 A1 11/2003 Zhang
 2004/0201990 A1 10/2004 Meyer
 2005/0254264 A1 11/2005 Sidwell et al.
 2006/0198147 A1 9/2006 Ge
 2009/0184618 A1 7/2009 Hakata et al.
 2012/0002423 A1 1/2012 Li et al.
 2012/0014107 A1 1/2012 Avila
 2012/0040585 A1 2/2012 Huang
 2012/0075854 A1 3/2012 Maxik et al.
 2013/0021794 A1 1/2013 Chinniah et al.
 2013/0039064 A1 2/2013 Lui

FOREIGN PATENT DOCUMENTS

EP 0890059 B1 6/2004
 EP 1471564 A2 10/2004
 EP 2180233 A1 4/2010
 EP 2236907 A2 2/2012
 EP 2413029 A2 2/2012
 EP 2416056 A2 2/2012
 GB 2345954 A 7/2000
 GB 2366610 A 3/2002
 GB 2453718 A 4/2009
 JP 11111819 A 4/1999
 JP 2000173304 A 6/2000

JP 2001118403 A 4/2001
 TW M412319 U 9/2011
 WO 0124583 A1 4/2001
 WO 0160119 A2 8/2001
 WO 2004100265 A2 11/2004
 WO 2005078338 A1 8/2005
 WO 2011098358 A1 8/2011
 WO 2012011279 A1 1/2012
 WO 2012031533 A1 3/2012

OTHER PUBLICATIONS

3 Watt—Dimmable, LED Light Bulb, 1000Bulbs.com.
 TCP—3 Watt—Dimmable LED—G16.5, 1000Bulbs.com.
 Energy Star® Program Requirements for Integral LED Lamps, Mar. 22, 2010, pp. 1-30.
 TCP PRO, LED Dimmable Decorative Series.
 Lighting Science, Introduction to LSGC, Satellite Beach, Florida, Dec. 11, 2012.
 U.S. Appl. No. 29/435,254, filed Oct. 22, 2012.
 U.S. Appl. No. 29/452,552, filed Apr. 18, 2013.
 U.S. Appl. No. 13/803,841, filed Mar. 14, 2013.
 U.S. Appl. No. 29/452,550, filed Apr. 18, 2013.
 U.S. Appl. No. 29/434,289, filed Oct. 11, 2012.
 Cree, Inc., Korean Application No. 30-2013-0018954, Office Action, Feb. 21, 2014.
 Cree, Inc., International Application No. PCT/US2014/022969, International Search Report and Written Opinion, May 15, 2014.
 Panasonic, Screw Type 4W LED Bulb Equivalent to 20W, http://www.panasonic.co.uk/html/en_GB/Products/Lighting/LED+Lamps/LDAHV4L27CG/Overview/7848548/index.html.
 U.S. Appl. No. 13/340,928, filed Dec. 30, 2011.
 U.S. Appl. No. 13/462,388, filed May 2, 2012.
 U.S. Appl. No. 13/662,618, filed Oct. 29, 2012.
 U.S. Appl. No. 13/467,670, filed May 9, 2012.
 U.S. Appl. No. 13/446,759, filed Apr. 13, 2012.
 U.S. Appl. No. 61/738,668, filed Dec. 18, 2012.
 U.S. Appl. No. 61/712,585, filed Oct. 11, 2012.
 U.S. Appl. No. 61/716,818, filed Oct. 22, 2012.
 U.S. Appl. No. 61/670,686, filed Jul. 12, 2012.
 U.S. Appl. No. 13/758,565, filed Feb. 4, 2013.
 U.S. Appl. No. 12/775,842, filed May 7, 2010.
 U.S. Appl. No. 13/192,755, filed Jul. 28, 2011.
 U.S. Appl. No. 13/339,974, filed Dec. 29, 2011.
 U.S. Appl. No. 13/235,103, filed Sep. 16, 2011.
 U.S. Appl. No. 13/360,145, filed Jan. 27, 2012.
 U.S. Appl. No. 13/338,095, filed Dec. 27, 2011.
 U.S. Appl. No. 13/338,076, filed Dec. 27, 2011.
 U.S. Appl. No. 13/405,891, filed Feb. 27, 2012.
 U.S. Appl. No. 13/781,847, filed Mar. 1, 2013.
 U.S. Appl. No. 13/774,193, filed Feb. 22, 2013.
 U.S. Appl. No. 13/781,844, filed Mar. 1, 2013.
 U.S. Appl. No. 13/657,421, filed Oct. 22, 2012.
 U.S. Appl. No. 13/341,337, filed Dec. 30, 2011.
 Cree, Inc., International Application No. PCT/US2013/035400 Invitation to Pay Additional Fees, and, Where Applicable, Protest Fee, Jun. 5, 2013.
 Cree, Inc., International Application No. PCT/US2013/035403 International Search Report and Written Opinion, May 29, 2013.
 U.S. Appl. No. 14/010,868, filed Aug. 27, 2013.
 U.S. Appl. No. 13/783,700, filed Mar. 4, 2013.
 Cree, Inc., International Application No. PCT/US2013/028174, International Search Report and Written Opinion, May 8, 2013.
 Cree, Inc., International Application No. PCT/US2013/035400, International Search Report and Written Opinion, Sep. 17, 2013.
 U.S. Appl. No. 29/456,413, filed May 31, 2013.
 U.S. Appl. No. 29/435,253, filed Oct. 22, 2012.

* cited by examiner

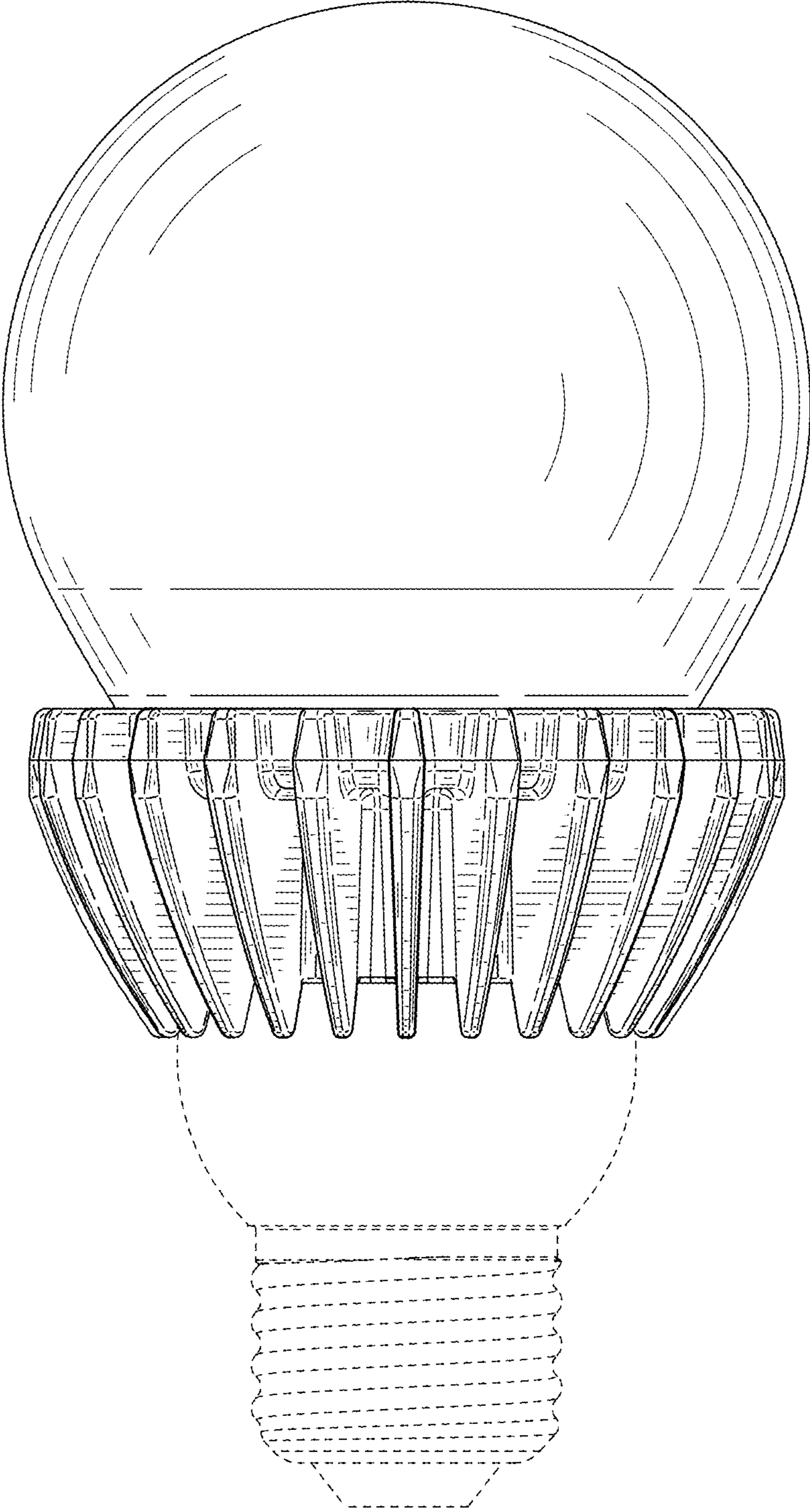


FIG. 1

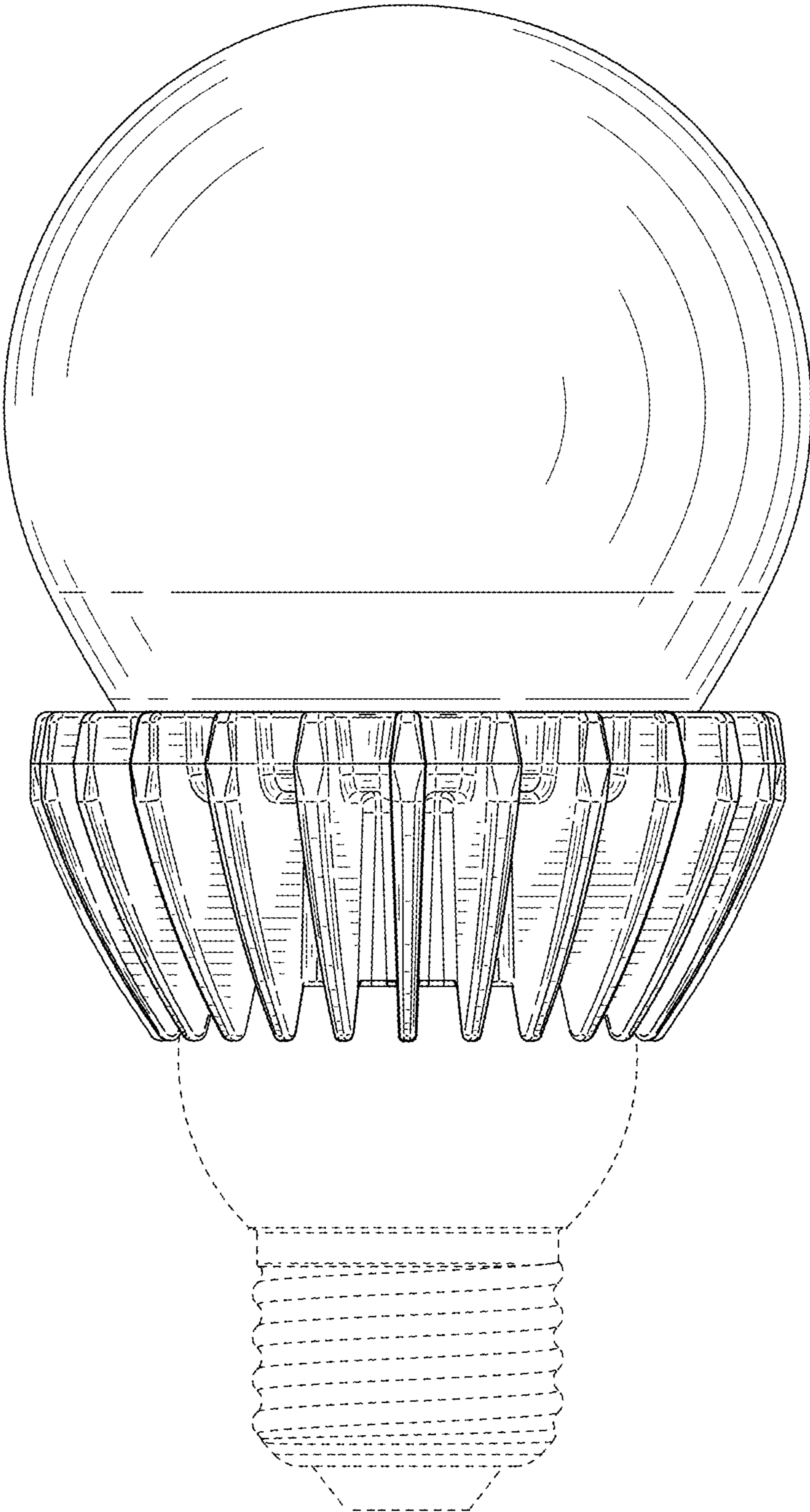


FIG. 2

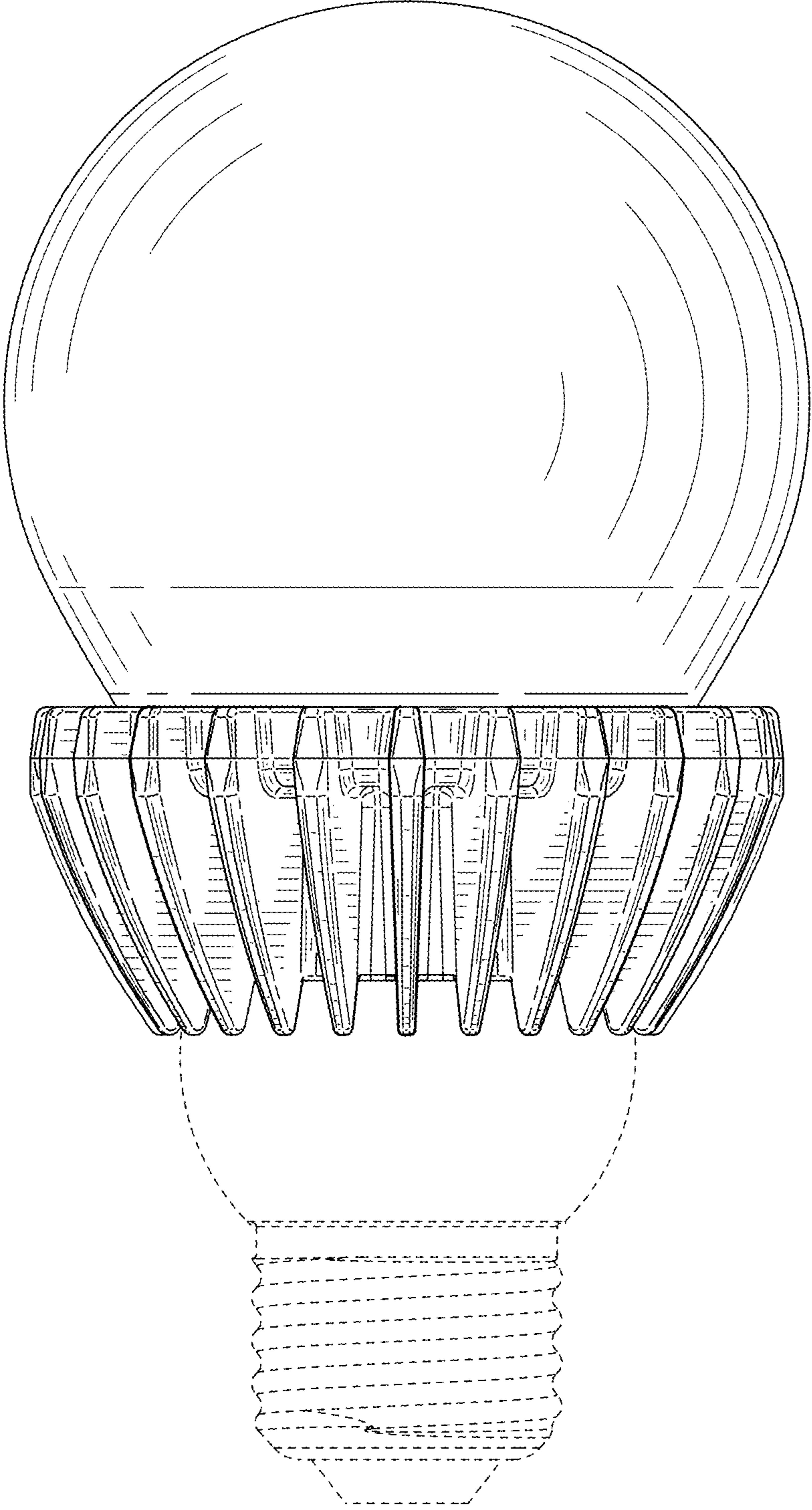


FIG. 3

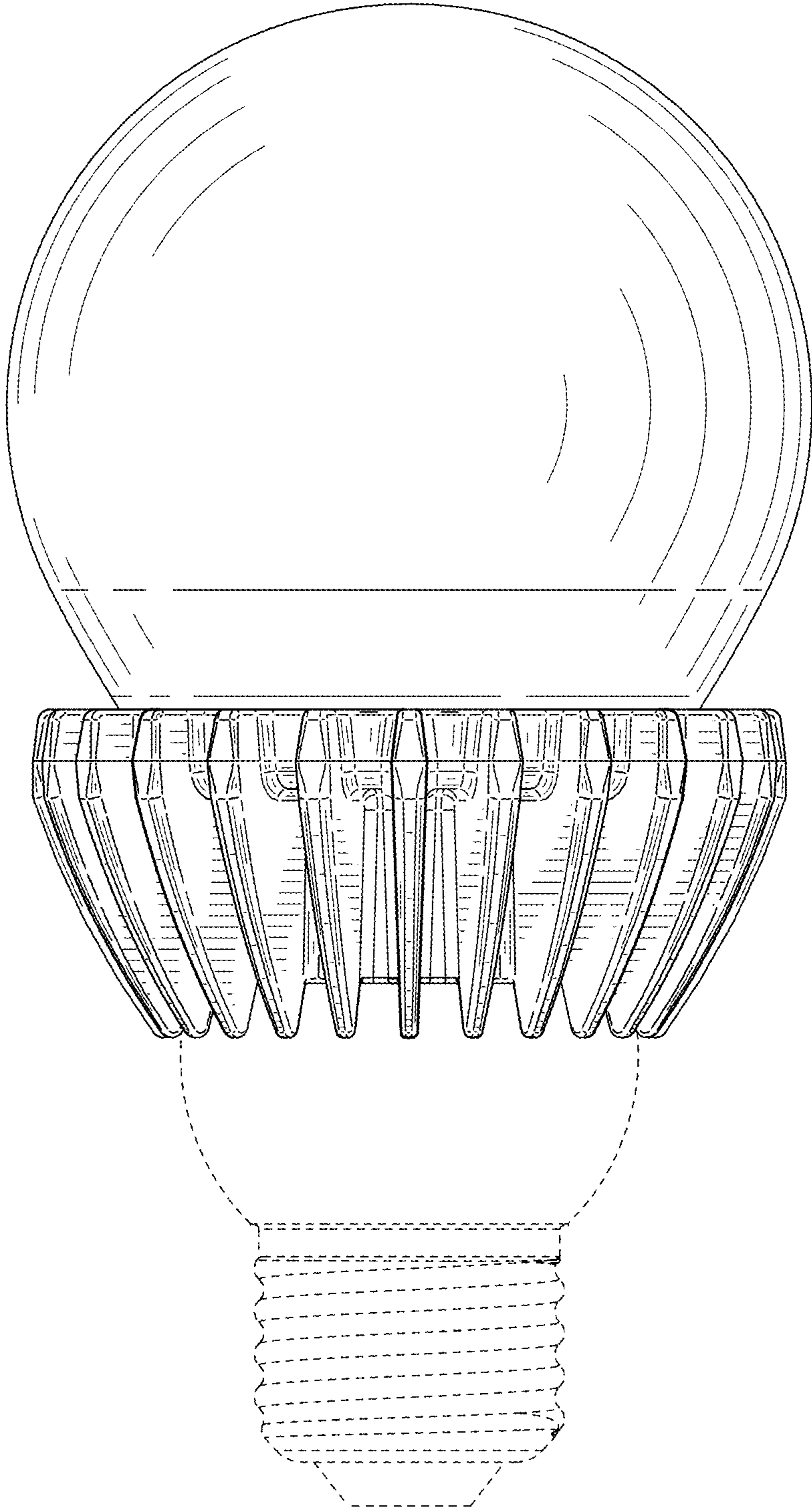


FIG. 4

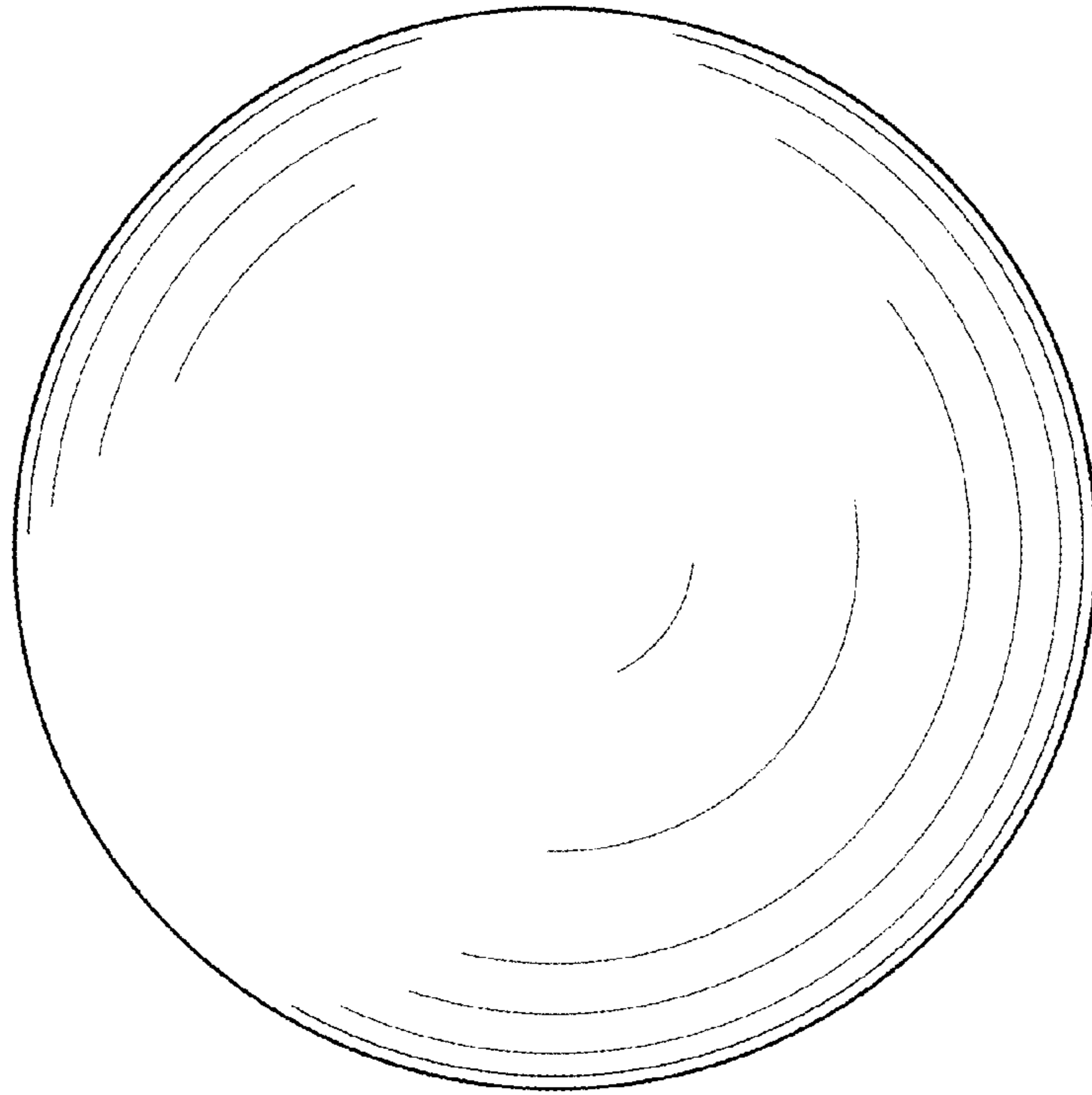


FIG. 5

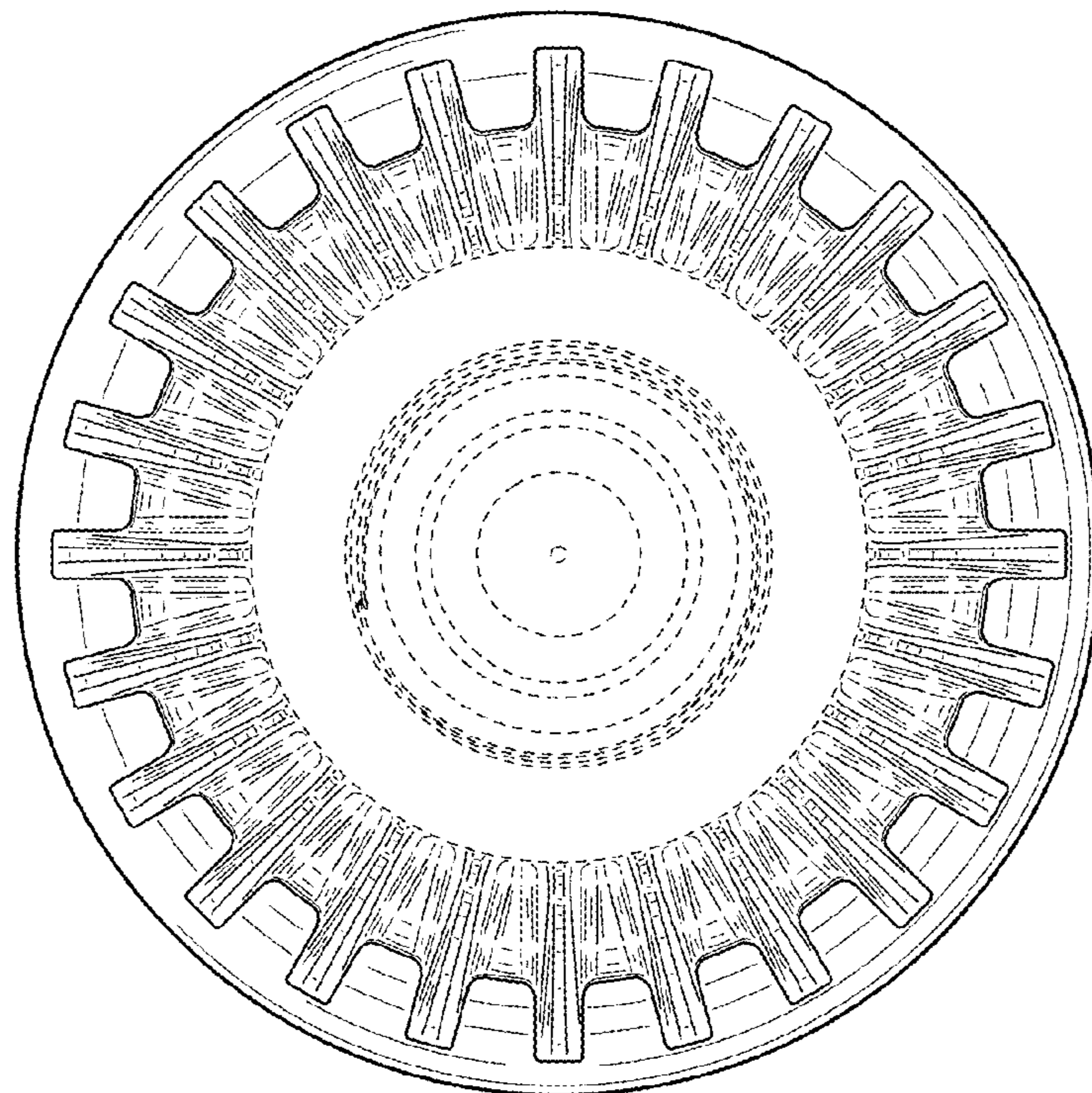


FIG. 6

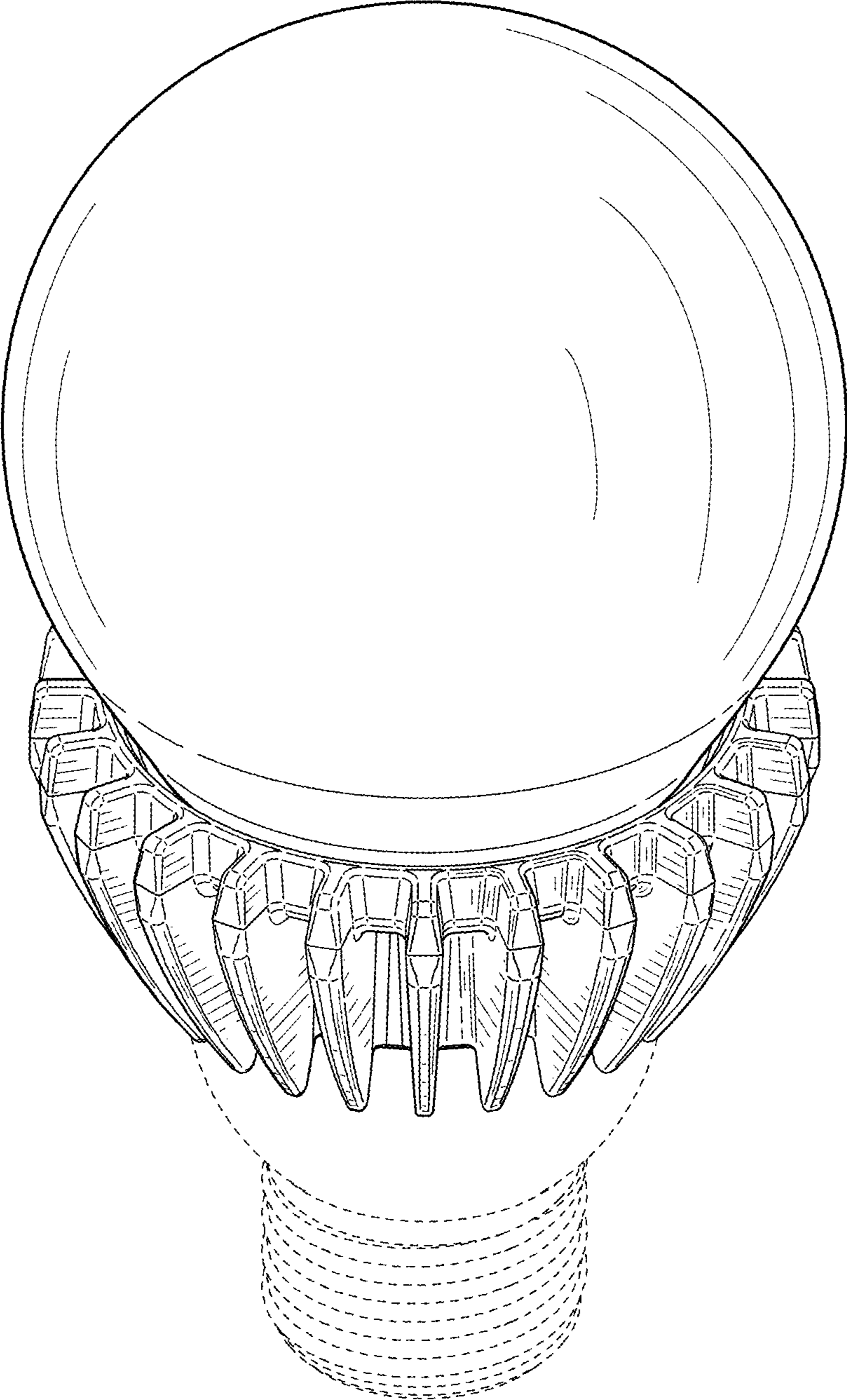


FIG. 7

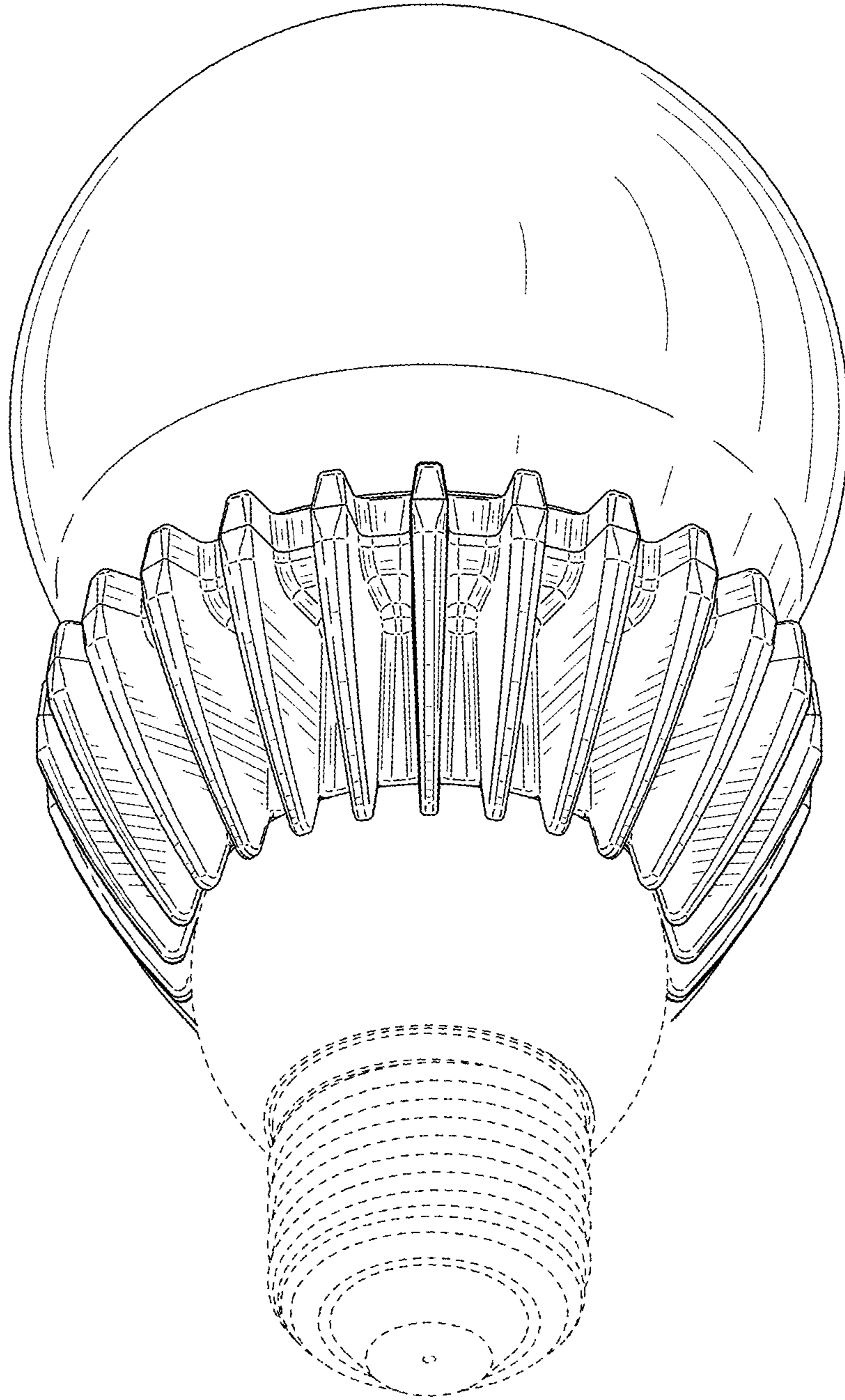


FIG. 8