



US00D748295S

(12) **United States Design Patent**  
**Dobos**

(10) **Patent No.:** **US D748,295 S**  
(45) **Date of Patent:** **\*\* Jan. 26, 2016**

(54) **LED LIGHTING UNIT**

(71) Applicant: **Tridonic Jennersdorf GMBH,**  
Jennersdorf (AT)

(72) Inventor: **Janos Dobos,** Szombathely (HU)

(73) Assignee: **Tridonic Jennersdorf GMBH,**  
Jennersdorf (AT)

(\*\*) Term: **14 Years**

(21) Appl. No.: **29/503,232**

(22) Filed: **Sep. 24, 2014**

(30) **Foreign Application Priority Data**

Mar. 27, 2014 (EM) ..... 001 407 191

(51) **LOC (10) Cl.** ..... **26-04**

(52) **U.S. Cl.**  
USPC ..... **D26/1**

(58) **Field of Classification Search**  
USPC ..... D26/1-4; D13/180-182; 313/313, 315,  
313/316, 317, 318, 493; 315/52, 53, 56, 57,  
315/58

CPC ..... H01J 5/48; H01J 5/50; H01J 19/54;  
F21V 5/00

See application file for complete search history.

(56) **References Cited**

**U.S. PATENT DOCUMENTS**

D528,996 S \* 9/2006 Egawa ..... D13/180  
D570,797 S \* 6/2008 Song ..... D13/180  
D573,553 S \* 7/2008 Uemoto ..... D13/180  
D573,731 S \* 7/2008 Uemoto ..... D26/1

\* cited by examiner

*Primary Examiner* — Marcus Jackson

(74) *Attorney, Agent, or Firm* — Marshall, Gerstein & Borun  
LLP

(57) **CLAIM**

The ornamental design for a LED lighting unit, as shown and  
described.

**DESCRIPTION**

FIG. 1 is a front, top, and left-side view of an LED lighting  
unit that has the design.

FIG. 2 is a top plan view of the LED lighting unit.

FIG. 3 is a front elevation view of the LED lighting unit.

FIG. 4 is a back elevation view of the LED lighting unit.

FIG. 5 is a bottom plan view of the LED lighting unit.

FIG. 6 is an enlarged left elevation view of the LED lighting  
unit.

FIG. 7 is an enlarged right elevation view of the LED lighting  
unit.

FIG. 8 is a front, top, and right-side view of an LED lighting  
unit made of a series of the LED lighting units seen in FIG. 1,  
all flexibly connected and illustrated here in one position.

FIG. 9 is a top plan view of the LED lighting unit of FIG. 8,  
illustrated in a second position.

FIG. 10 is a front elevation view of the LED lighting unit of  
FIG. 9.

FIG. 11 is a back elevation view of the LED lighting unit of  
FIG. 9.

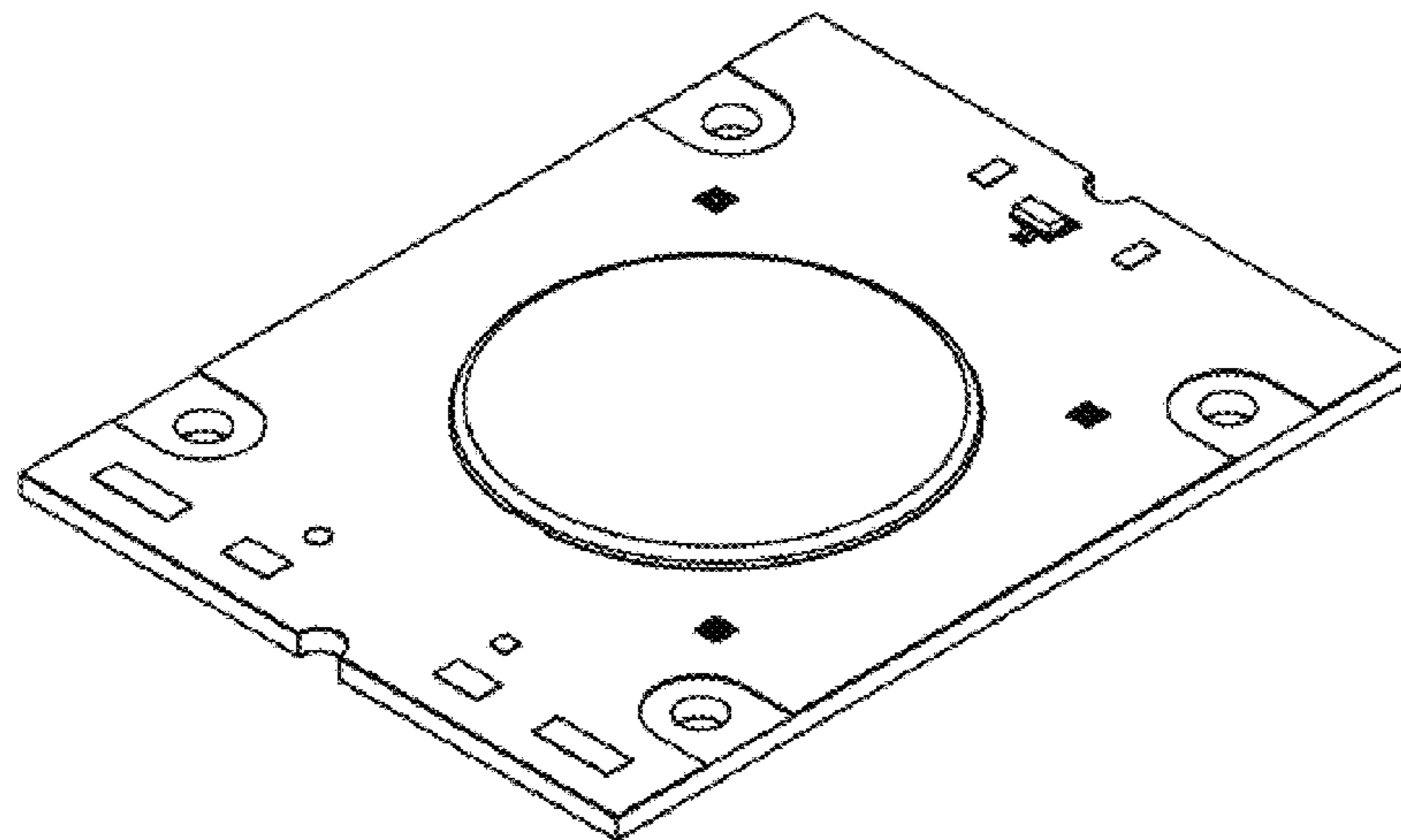
FIG. 12 is a bottom right elevation view of the LED lighting  
unit of FIG. 9.

FIG. 13 is right elevation view of the LED lighting unit of  
FIG. 9; and,

FIG. 14 is a left elevation view of the LED lighting unit of  
FIG. 9.

Any part of the LED lighting unit that might not be clearly  
disclosed in the figures is not part of the claimed design.

**1 Claim, 6 Drawing Sheets**



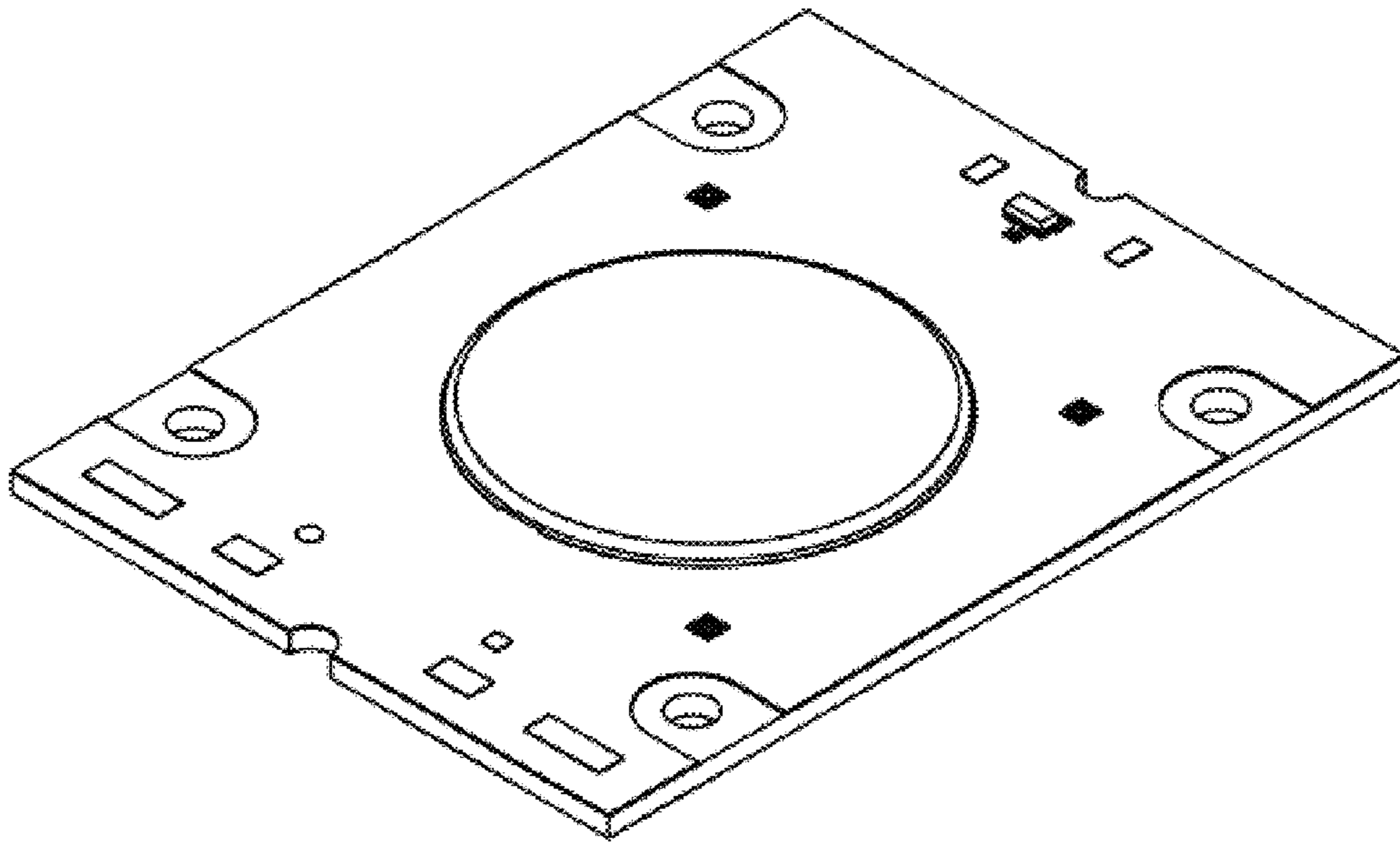


FIG. 1



FIG. 2

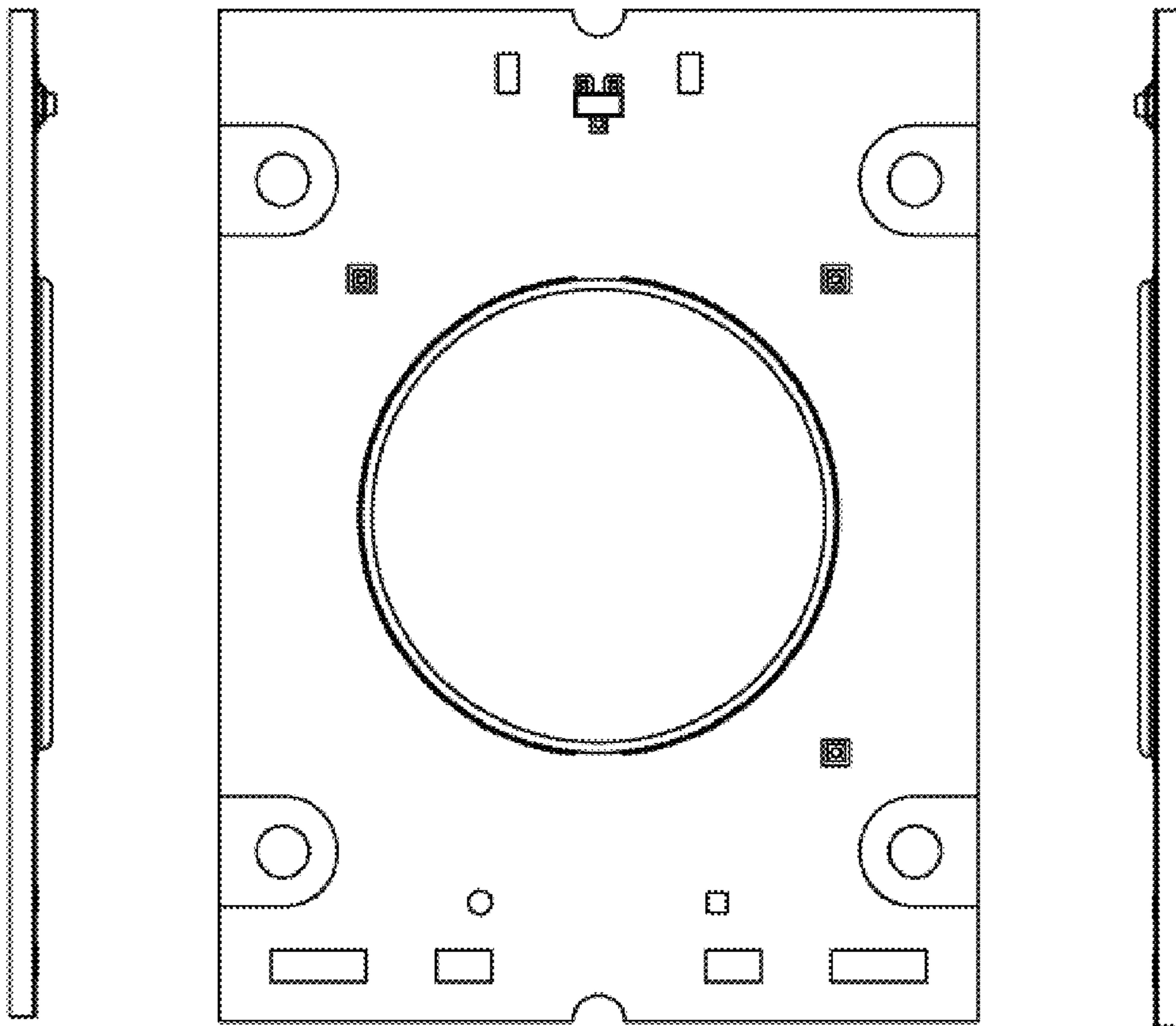


FIG. 3

FIG. 4

FIG. 5

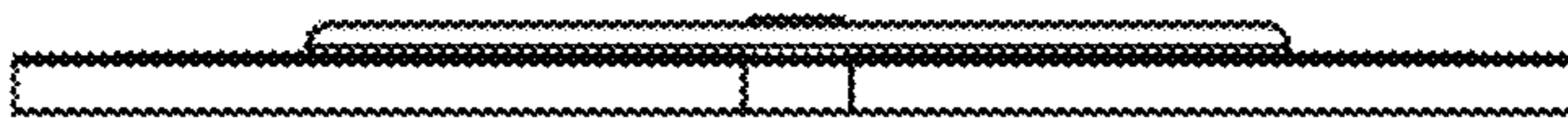


FIG. 6

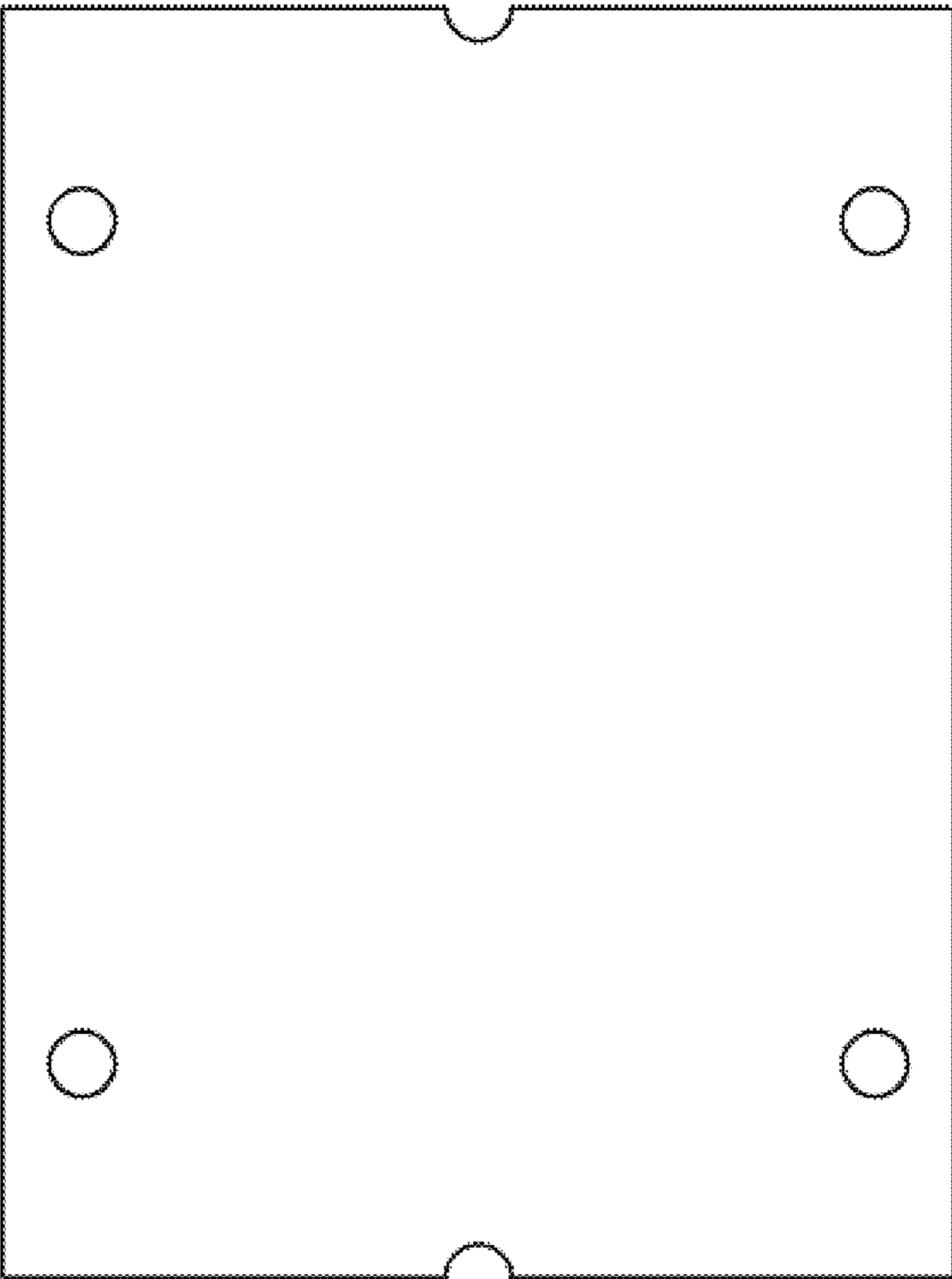


FIG. 7

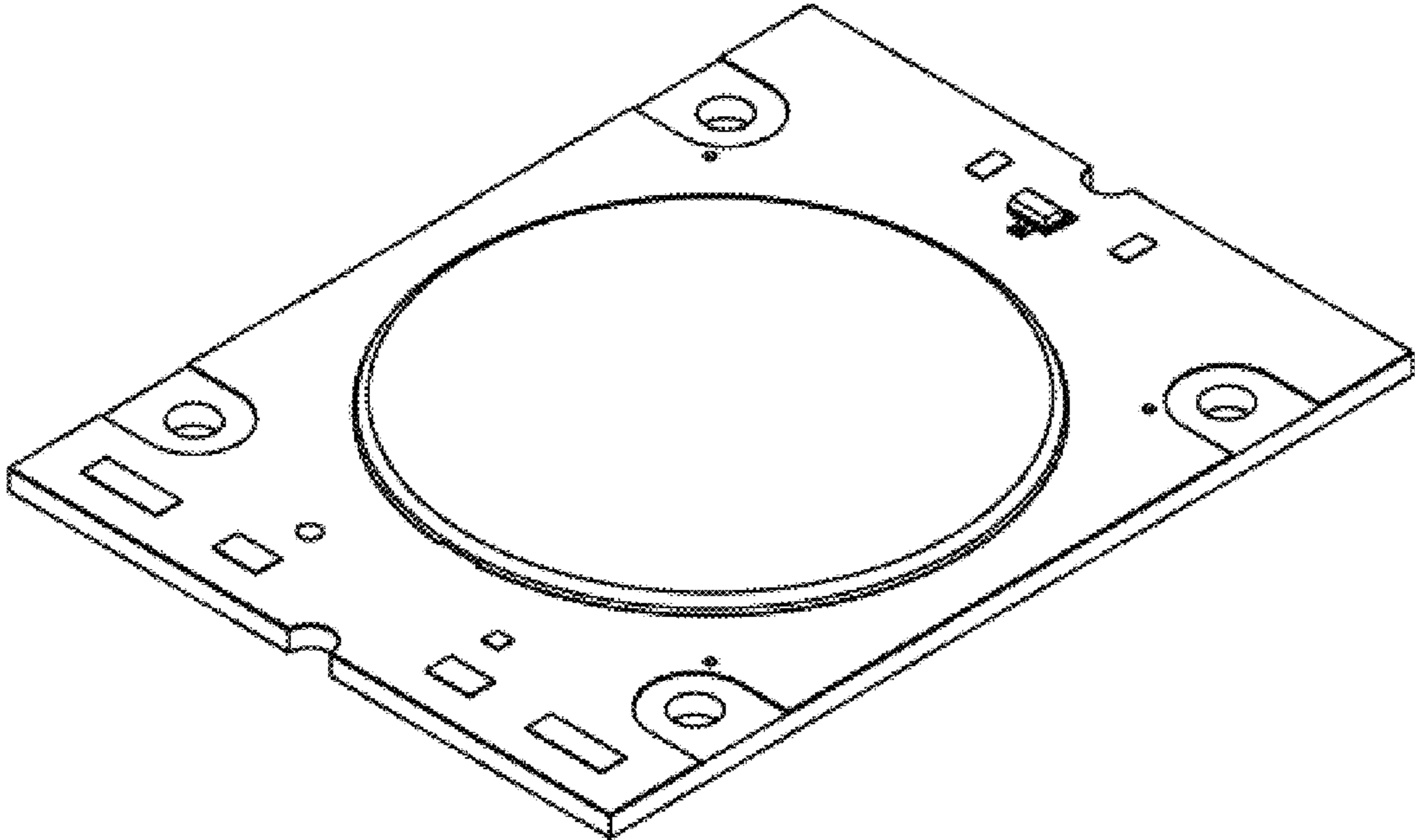


FIG. 8





FIG. 9



FIG. 10

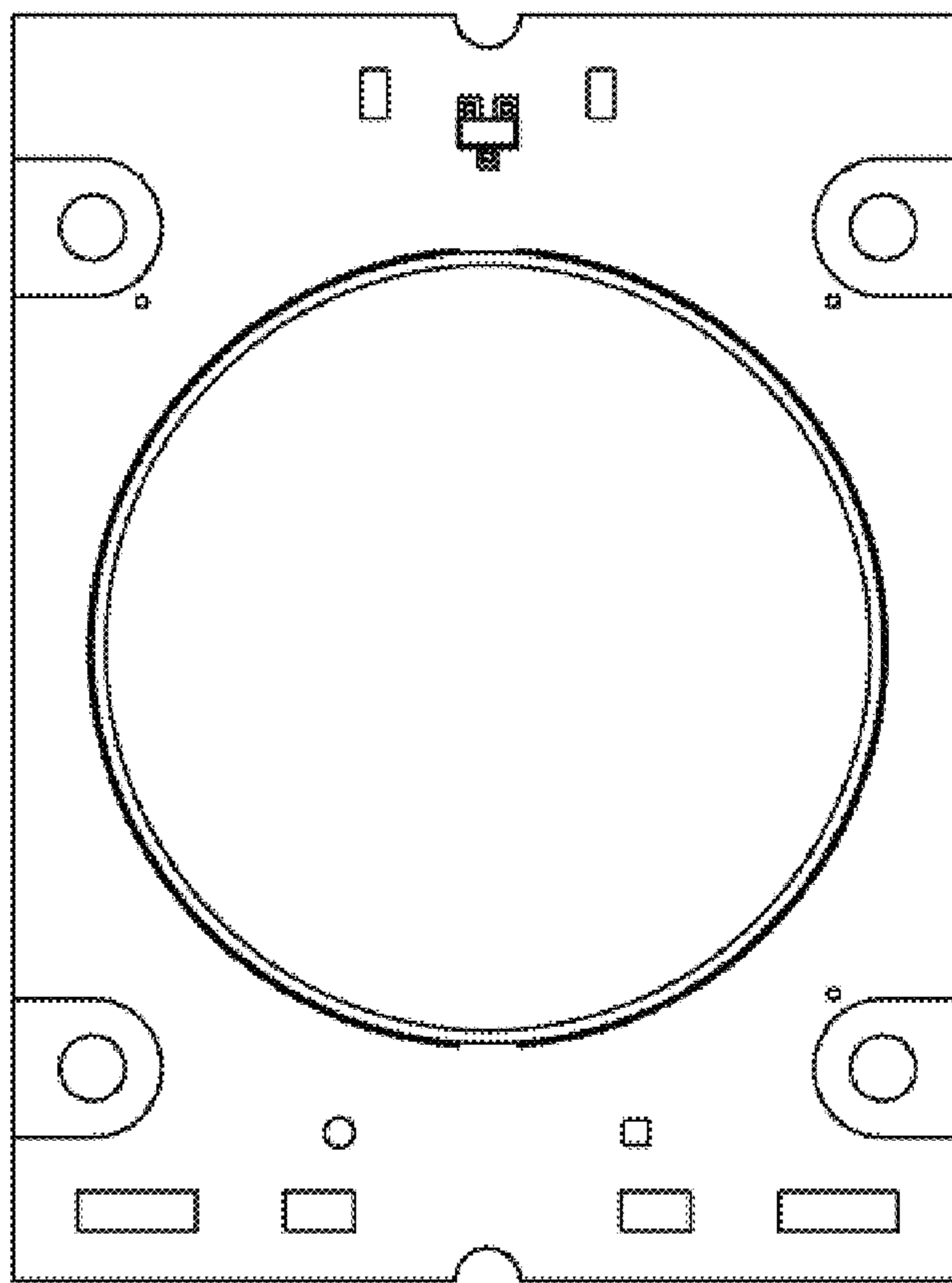


FIG. 11

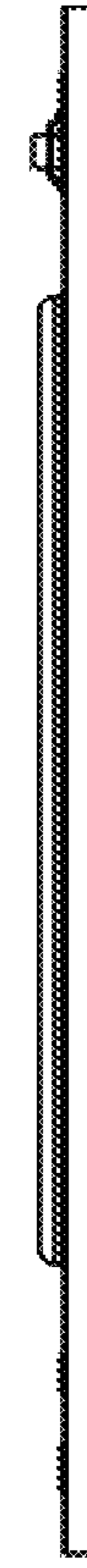


FIG. 12

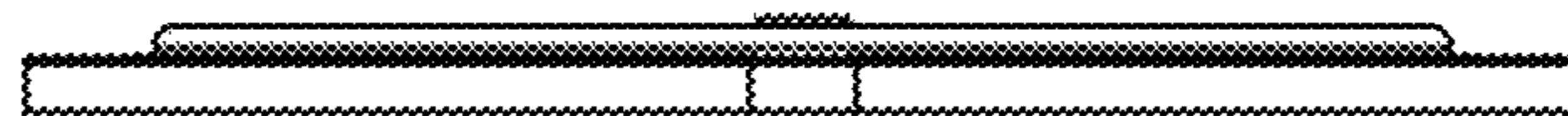


FIG. 13

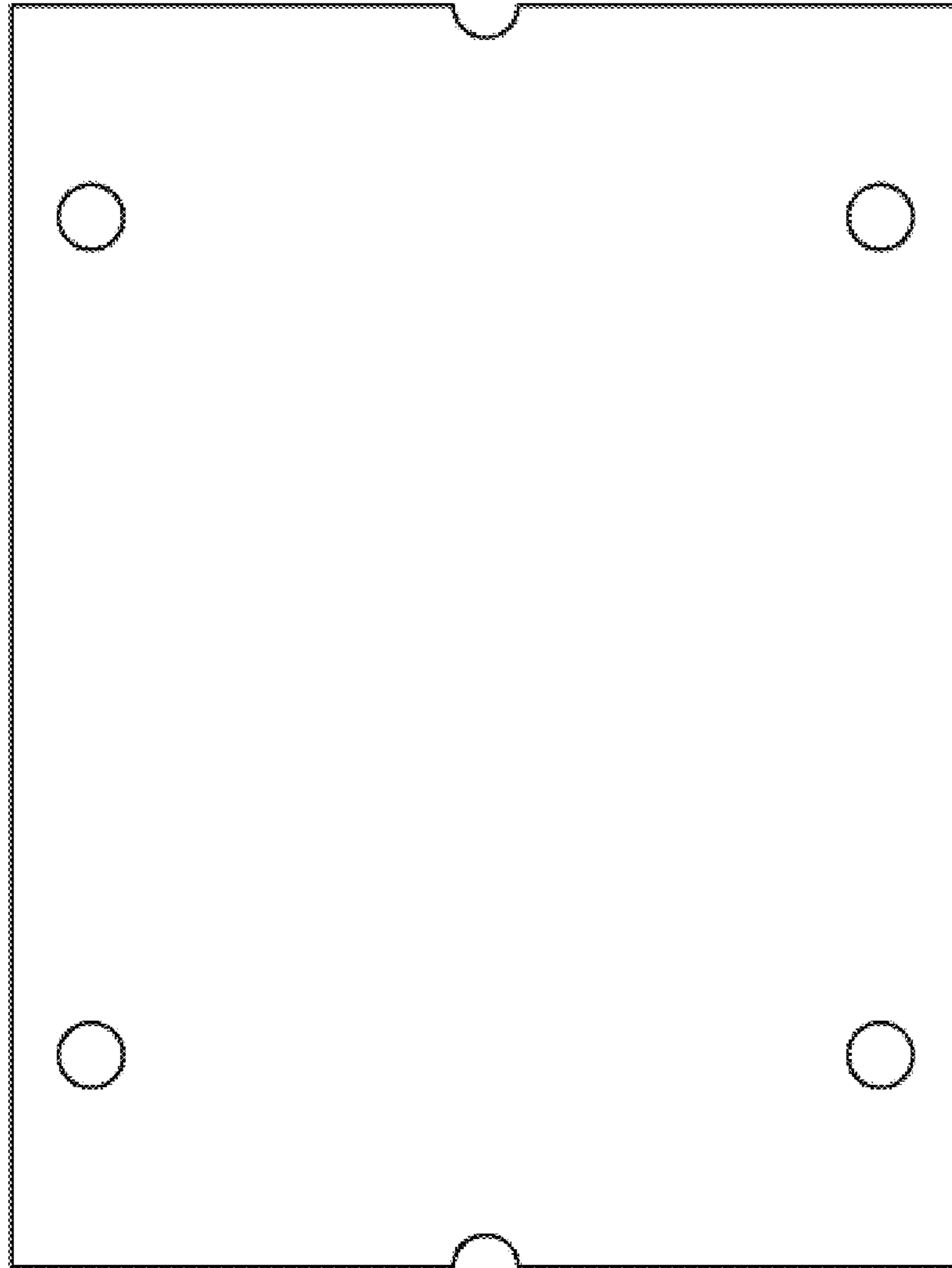


FIG. 14