



US00D748294S

(12) **United States Design Patent**  
**Tauterer et al.**

(10) **Patent No.:** **US D748,294 S**  
(45) **Date of Patent:** **\*\* Jan. 26, 2016**

(54) **LED LIGHTING UNIT**

(71) Applicant: **Tridonic Jennersdorf GMBH,**  
Jennersdorf (AT)  
(72) Inventors: **Hannes Tauterer,** Graz (AT); **Steffen**  
**Riemer,** Krottendorf-Gaisfeld (AT)  
(73) Assignee: **Tridonic Jennersdorf GMBH,**  
Jennersdorf (AT)  
(\*\*) Term: **14 Years**  
(21) Appl. No.: **29/503,225**  
(22) Filed: **Sep. 24, 2014**

(30) **Foreign Application Priority Data**

Mar. 27, 2014 (EM) ..... 001 407 191  
(51) **LOC (10) Cl.** ..... **26-04**  
(52) **U.S. Cl.**  
USPC ..... **D26/1**  
(58) **Field of Classification Search**  
USPC ..... D26/1-4; D13/180-182; 313/313, 315,  
313/316, 317, 318, 493; 315/52, 53, 56, 57,  
315/58  
CPC ..... H01J 5/48; H01J 5/50; H01J 19/54;  
F21V 5/00  
See application file for complete search history.

(56) **References Cited**

U.S. PATENT DOCUMENTS

D528,996 S *	9/2006	Egawa .....	D13/180
D573,553 S *	7/2008	Uemoto .....	D13/180
D577,690 S *	9/2008	Shida .....	D13/180
D598,401 S *	8/2009	Takada .....	D13/182
D622,876 S *	8/2010	Takahashi .....	D26/1

\* cited by examiner

*Primary Examiner* — Marcus Jackson

(74) *Attorney, Agent, or Firm* — Marshall, Gerstein & Borun LLP

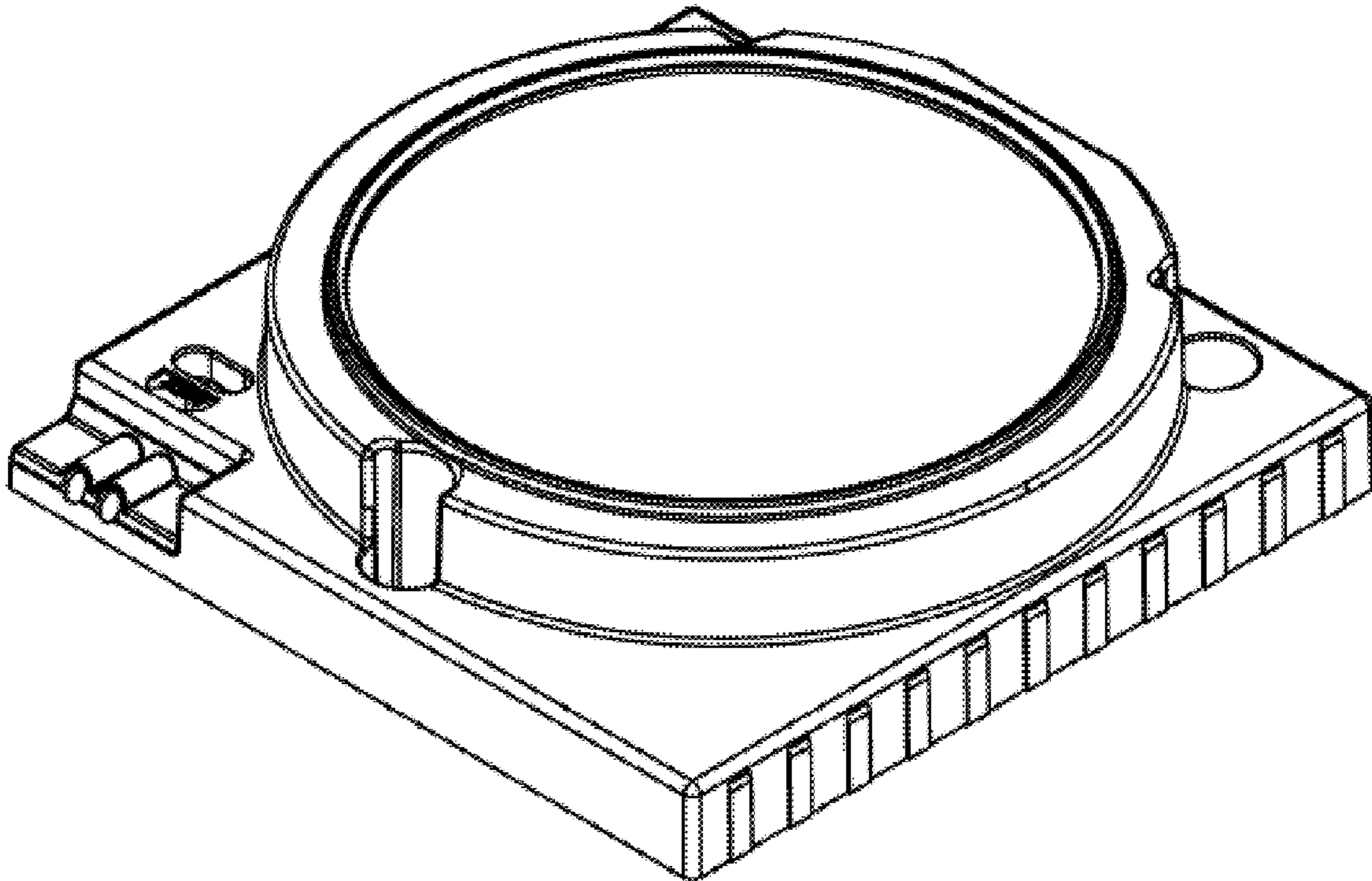
(57) **CLAIM**

The ornamental design for a LED lighting unit, as shown and described.

**DESCRIPTION**

FIG. 1 is a front, top, and right-side view of an LED lighting unit that has the design.  
FIG. 2 is a top plan view of the LED lighting unit.  
FIG. 3 is a front elevation view of the LED lighting unit.  
FIG. 4 is a back elevation view of the LED lighting unit.  
FIG. 5 is a bottom plan view of the LED lighting unit.  
FIG. 6 is a left elevation view of the LED lighting unit; and,  
FIG. 7 is a right elevation view of the LED lighting unit.  
Any part of the LED lighting unit that might not be clearly disclosed in the figures is not part of the claimed design.

**1 Claim, 4 Drawing Sheets**



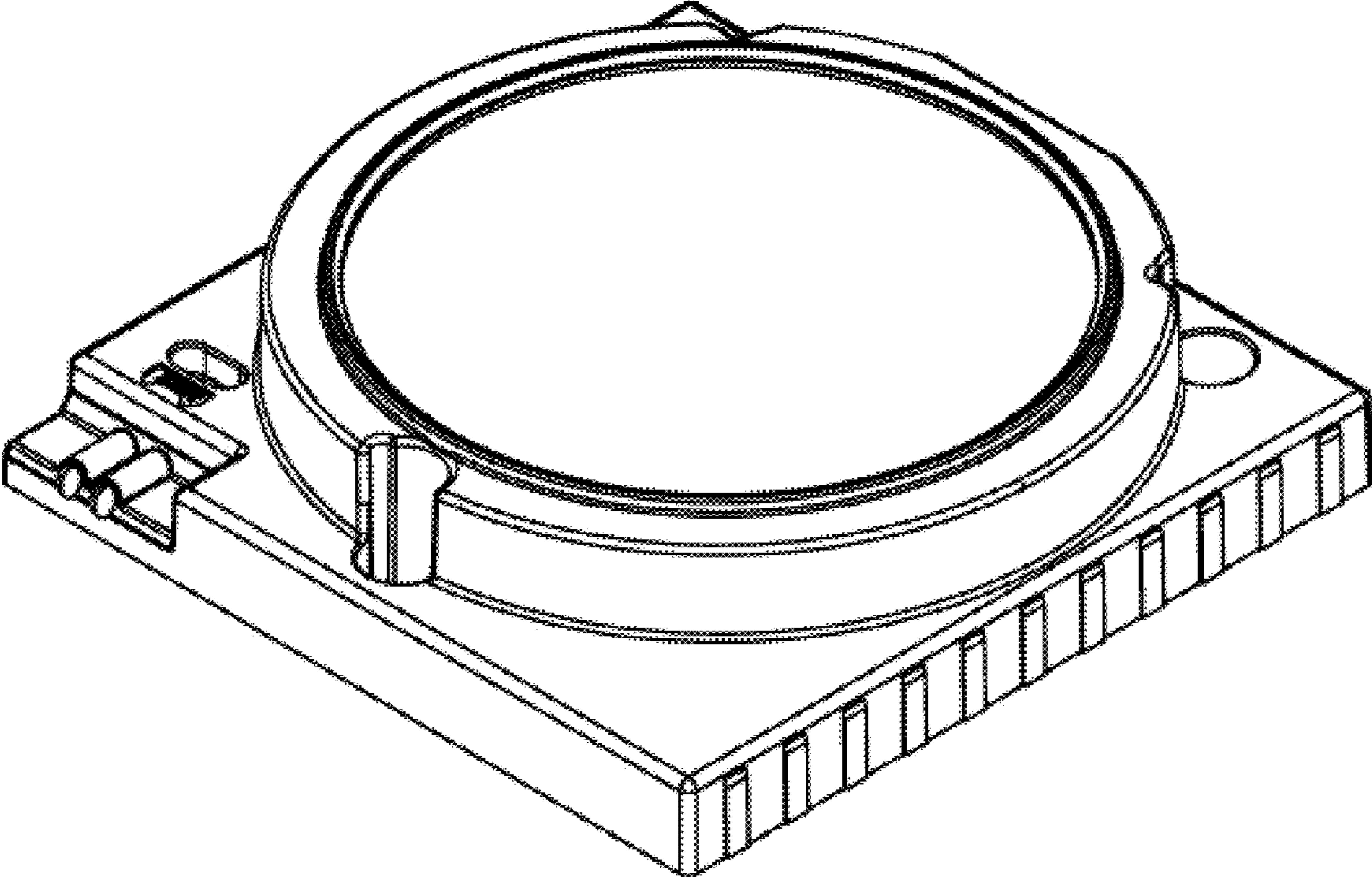


FIG. 1

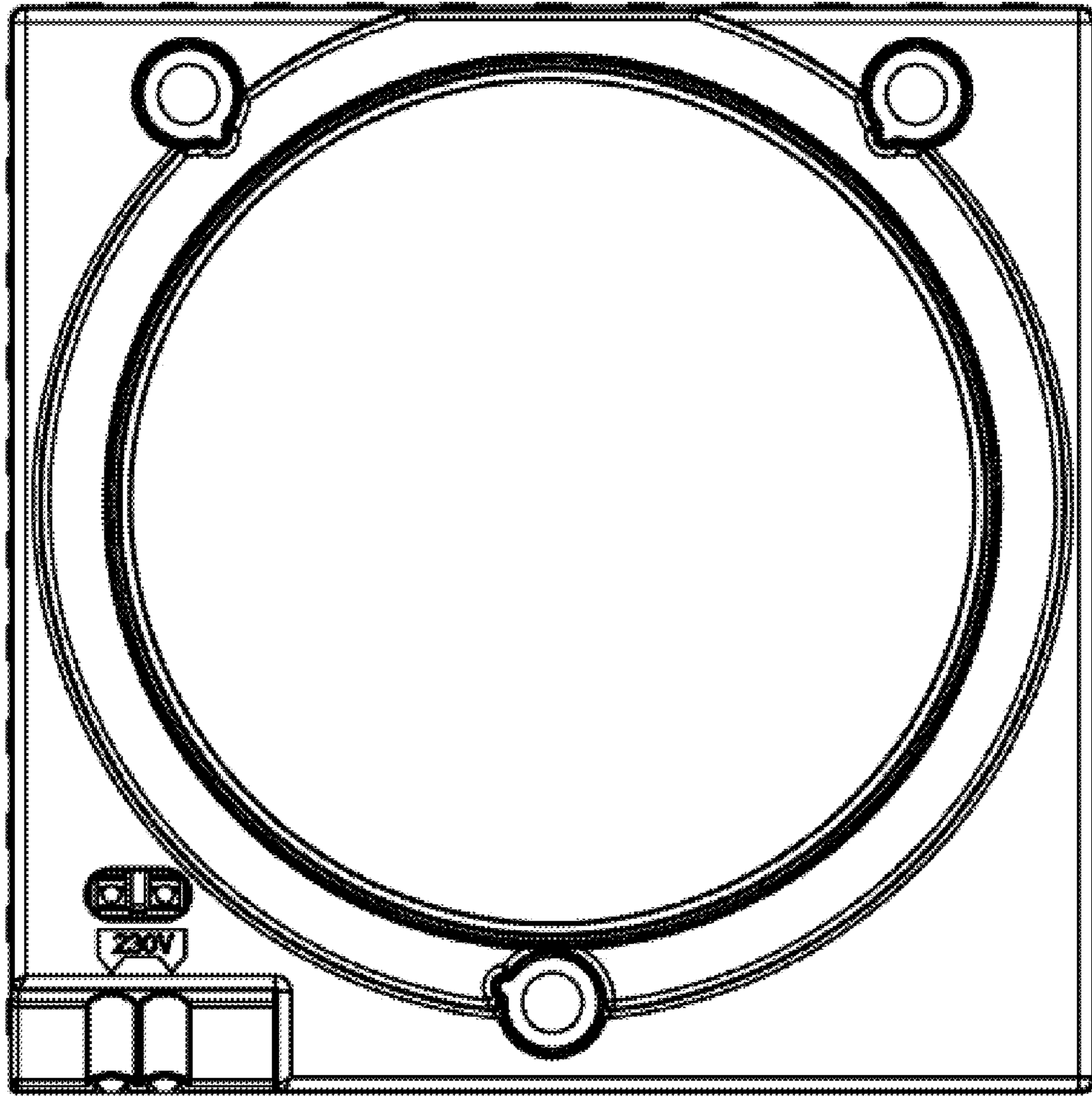


FIG. 2

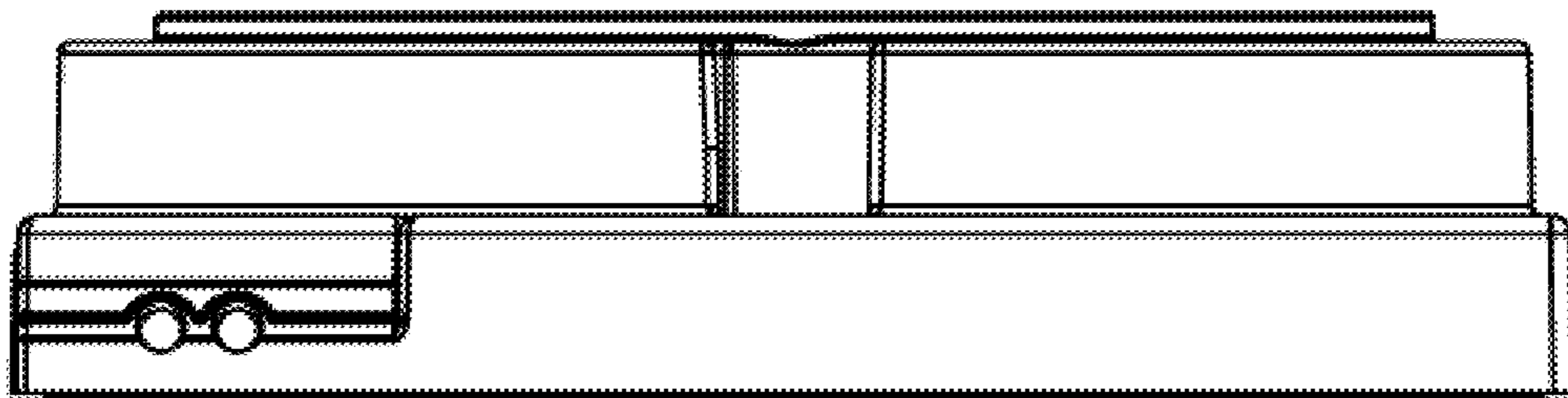


FIG. 3

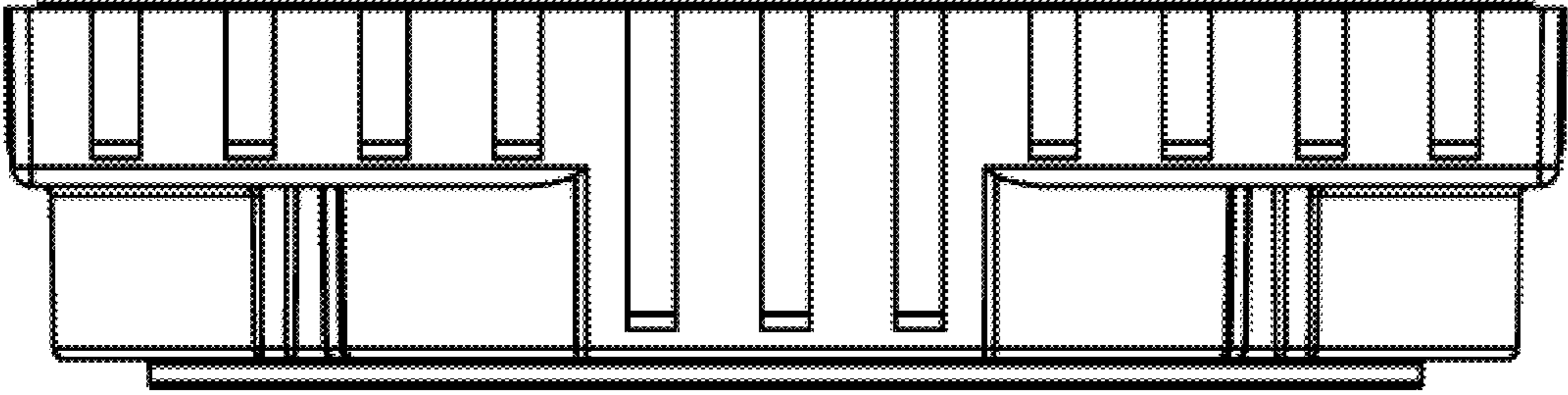


FIG. 4

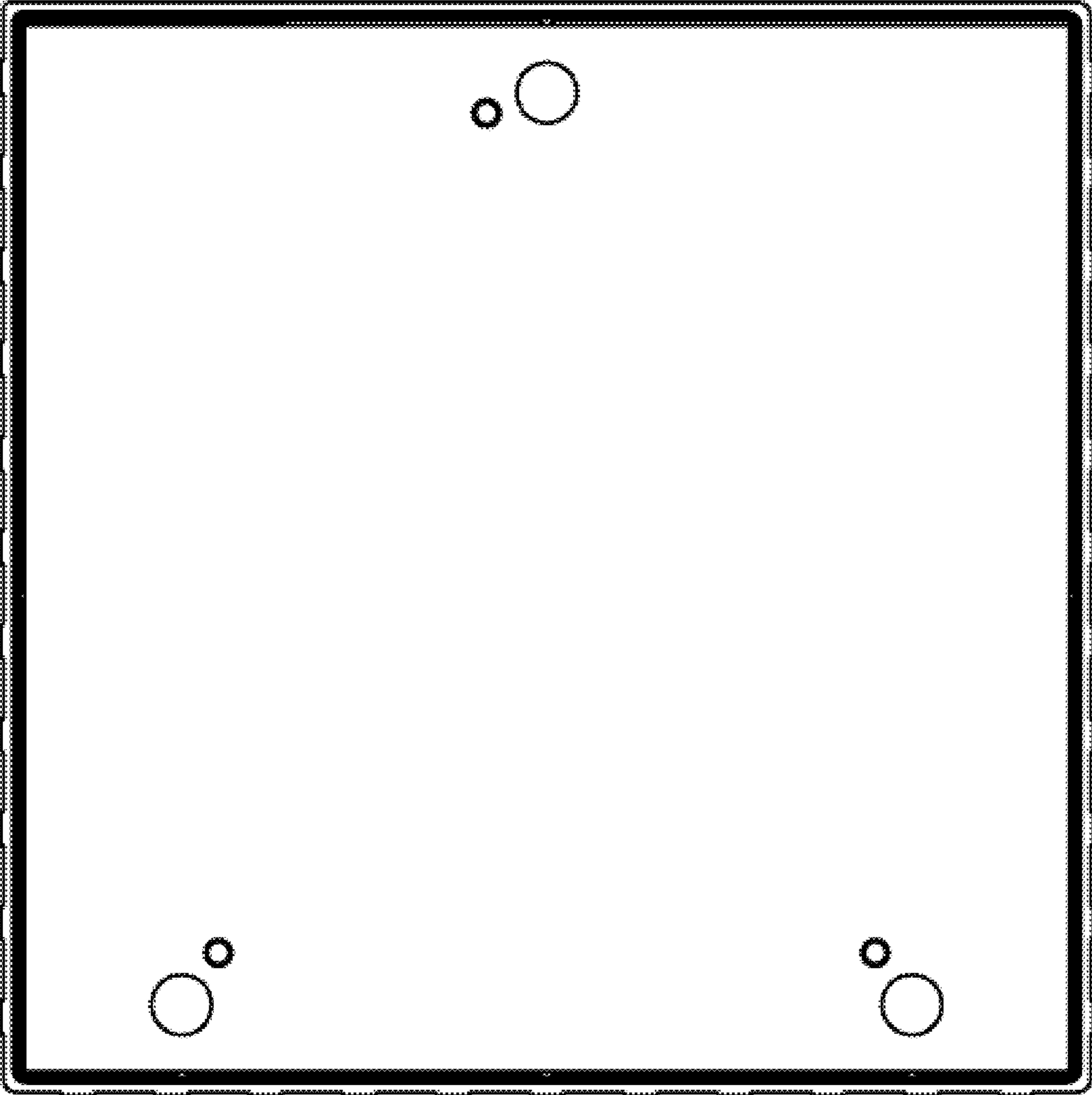


FIG. 5

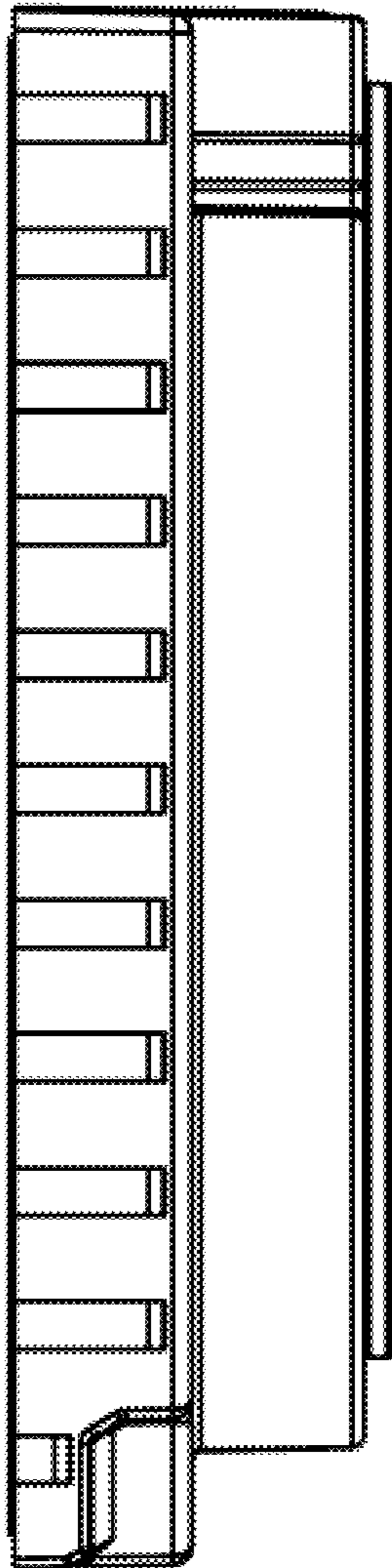


FIG. 6

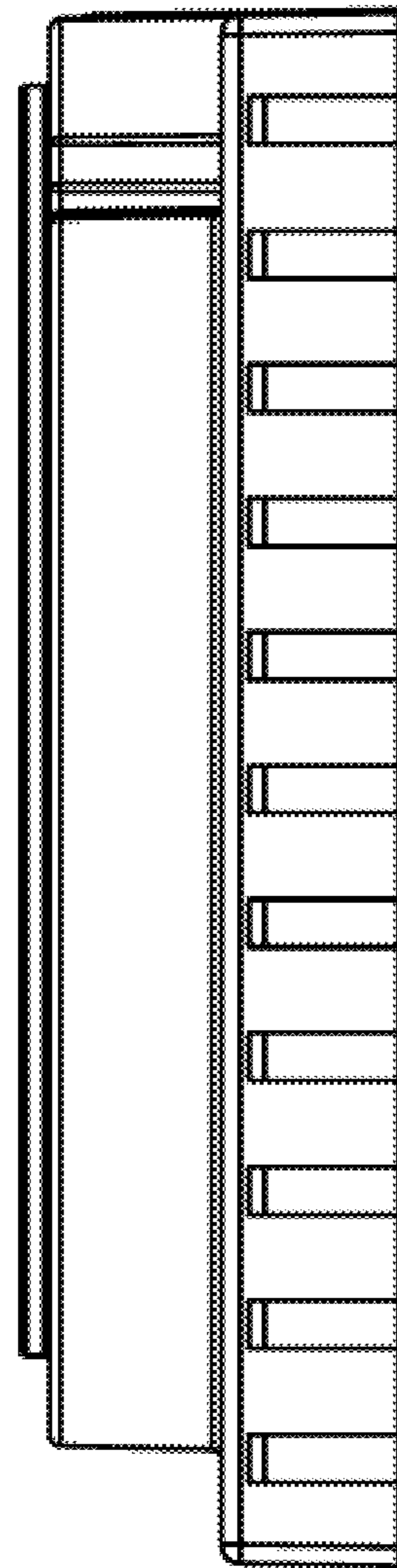


FIG. 7