



US00D748293S

(12) **United States Design Patent**
Tauterer et al.

(10) **Patent No.:** **US D748,293 S**
(45) **Date of Patent:** **** Jan. 26, 2016**

(54) **LED LIGHTING UNIT**

(71) Applicant: **Tridonic Jennersdorf GMBH,**
Jennersdorf (AT)

(72) Inventors: **Hannes Tauterer,** Graz (AT); **Istvan Bakk,** Torokbalint (HU)

(73) Assignee: **Tridonic Jennersdorf GMBH,**
Jennersdorf (AT)

(**) Term: **14 Years**

(21) Appl. No.: **29/503,222**

(22) Filed: **Sep. 24, 2014**

(30) **Foreign Application Priority Data**

Mar. 27, 2014 (EM) 001 407 191

(51) **LOC (10) Cl.** **26-04**

(52) **U.S. Cl.**
USPC **D26/1**

(58) **Field of Classification Search**
USPC D26/1-4; D13/180-182; 313/313, 315,
313/316, 317, 318, 493; 315/52, 53, 56, 57,
315/58
CPC H01J 5/48; H01J 5/50; H01J 19/54;
F21V 5/00

See application file for complete search history.

(56) **References Cited**

U.S. PATENT DOCUMENTS

D671,661 S * 11/2012 Leung D26/1
D689,209 S * 9/2013 Donofrio D13/180

* cited by examiner

Primary Examiner — Marcus Jackson

(74) *Attorney, Agent, or Firm* — Marshall, Gerstein & Borun
LLP

(57) **CLAIM**

The ornamental design for a LED lighting unit, as shown and described.

DESCRIPTION

FIG. 1 is a front, top, and left-side view of an LED lighting unit that has the design.

FIG. 2 is a back elevation view of the LED lighting unit.

FIG. 3 is a left elevation view of the LED lighting unit.

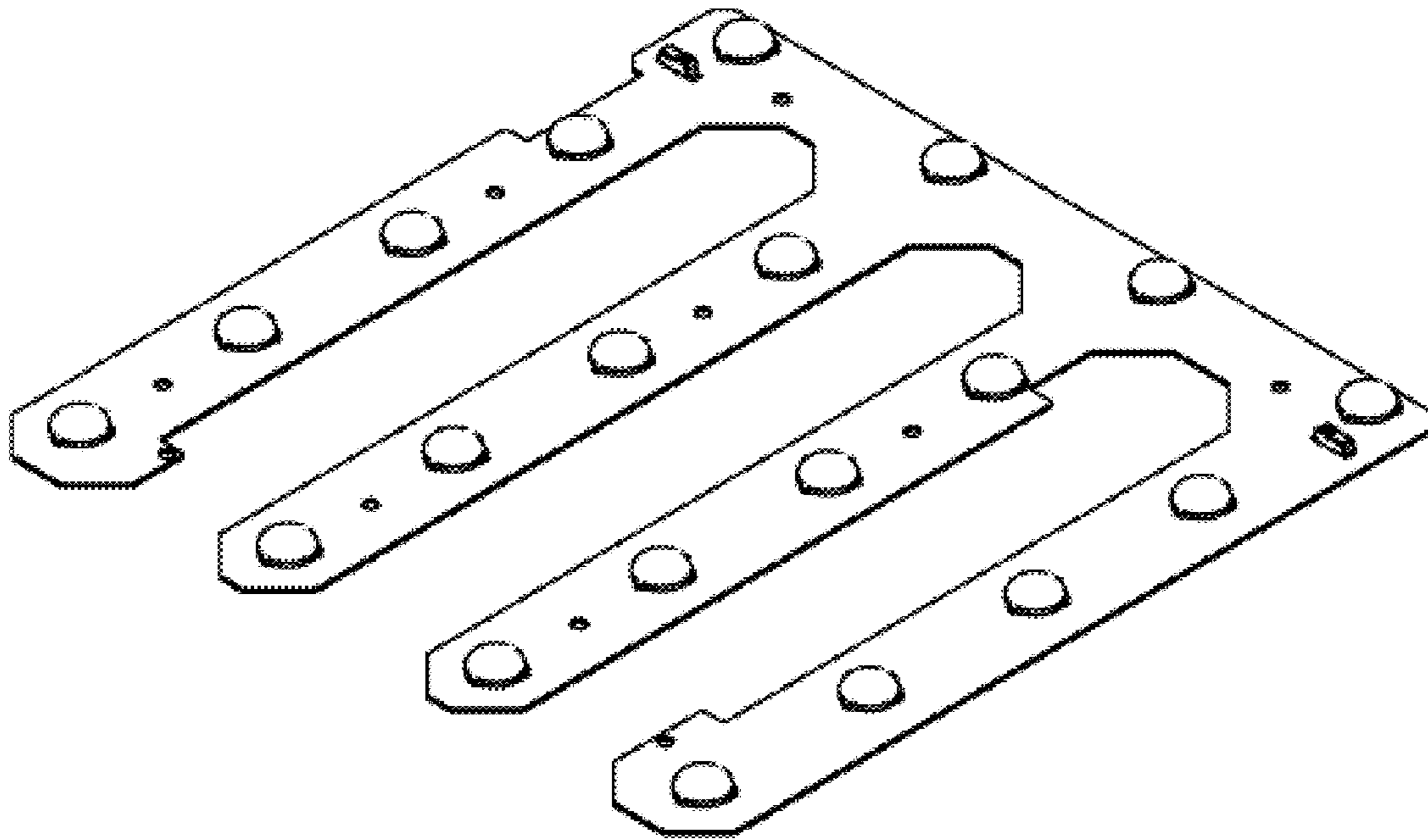
FIG. 4 is a top plan view of the LED lighting unit.

FIG. 5 is a right elevation view of the LED lighting unit.

FIG. 6 is a front elevation view of the LED lighting unit; and, FIG. 7 is a bottom plan view of the LED lighting unit.

Any part of the LED lighting unit that might not be clearly disclosed in the figures is not part of the claimed design.

1 Claim, 3 Drawing Sheets



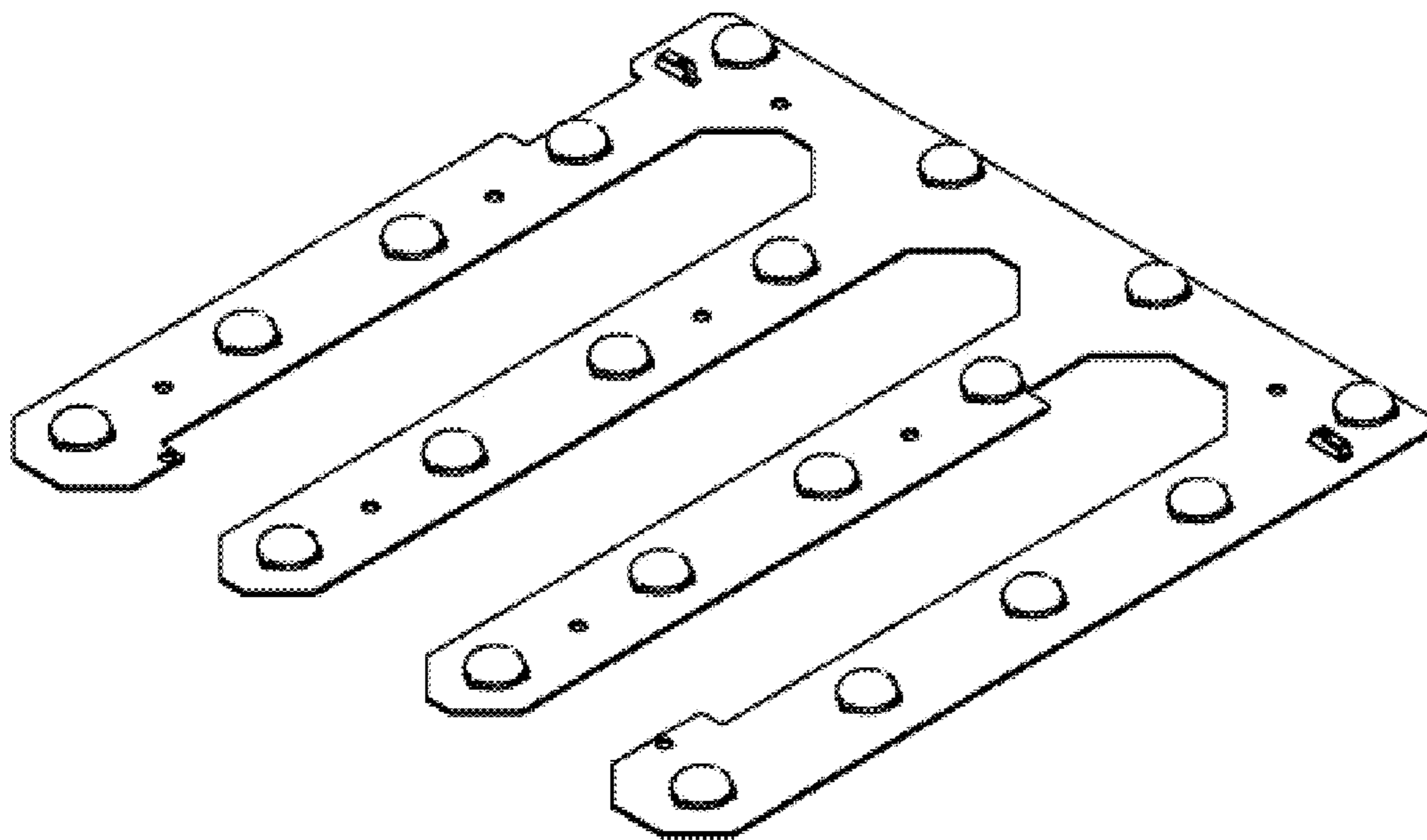


FIG. 1



FIG. 2

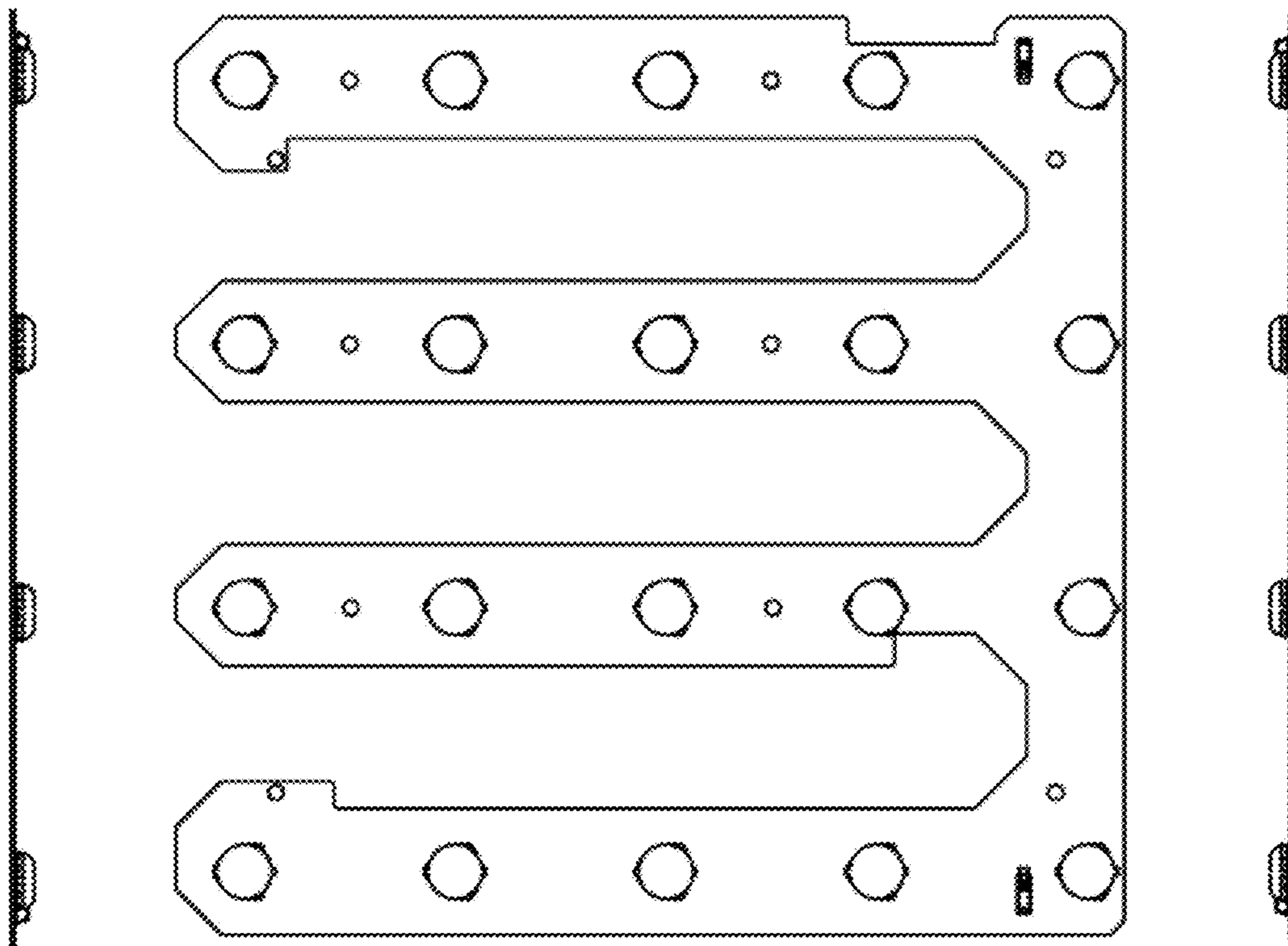


FIG. 3

FIG. 4

FIG. 5



FIG. 6

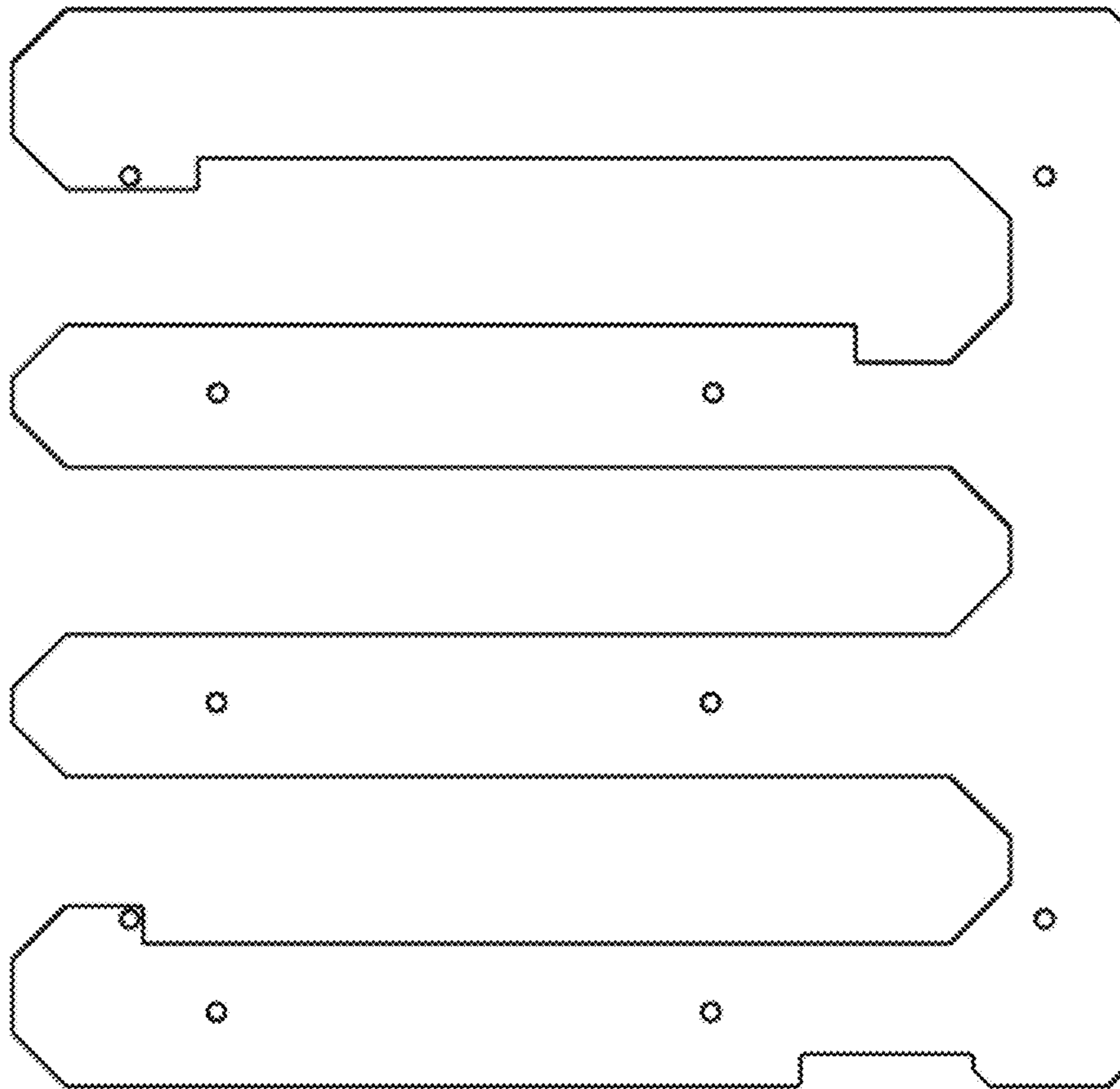


FIG. 7