



US00D748292S

(12) **United States Design Patent**
Fragner et al.

(10) **Patent No.:** **US D748,292 S**

(45) **Date of Patent:** **** Jan. 26, 2016**

(54) **LED LIGHTING UNIT**

(71) Applicant: **Tridonic Jennersdorf GMBH**,
Jennersdorf (AT)
(72) Inventors: **Christian Fragner**, Loipersdorf (AT);
Christian Seinitz, Limbach (AT);
Clemens Mayer, Welten (AT)

(73) Assignee: **Tridonic Jennersdorf GMBH**,
Jennersdorf (AT)

(**) Term: **14 Years**

(21) Appl. No.: **29/503,218**

(22) Filed: **Sep. 24, 2014**

(30) **Foreign Application Priority Data**

Mar. 27, 2014 (EM) 001 407 191

(51) **LOC (10) Cl.** **26-04**

(52) **U.S. Cl.**
USPC **D26/1**

(58) **Field of Classification Search**
USPC D26/1-4; D13/180-182; 313/313, 315,
313/316, 317, 318, 493; 315/52, 53, 56, 57,
315/58
CPC H01J 5/48; H01J 5/50; H01J 19/54;
F21V 5/00

See application file for complete search history.

(56) **References Cited**

U.S. PATENT DOCUMENTS

D494,550 S * 8/2004 Hoshiba D13/180
D495,304 S * 8/2004 Kim D13/180
D578,084 S * 10/2008 Kobayakawa D13/180
D578,969 S * 10/2008 Kobayakawa D13/180
D595,244 S * 6/2009 In D13/180
D632,658 S * 2/2011 Lin D13/180

* cited by examiner

Primary Examiner — Marcus Jackson

(74) *Attorney, Agent, or Firm* — Marshall, Gerstein & Borun
LLP

(57) **CLAIM**

The ornamental design for a LED lighting unit, as shown and
described.

DESCRIPTION

FIG. 1 is a front, top, and right-side view of an LED lighting
unit that has the design.

FIG. 2 is a back elevation view of the LED lighting unit.

FIG. 3 is a left elevation view of the LED lighting unit.

FIG. 4 is a top plan view of the LED lighting unit.

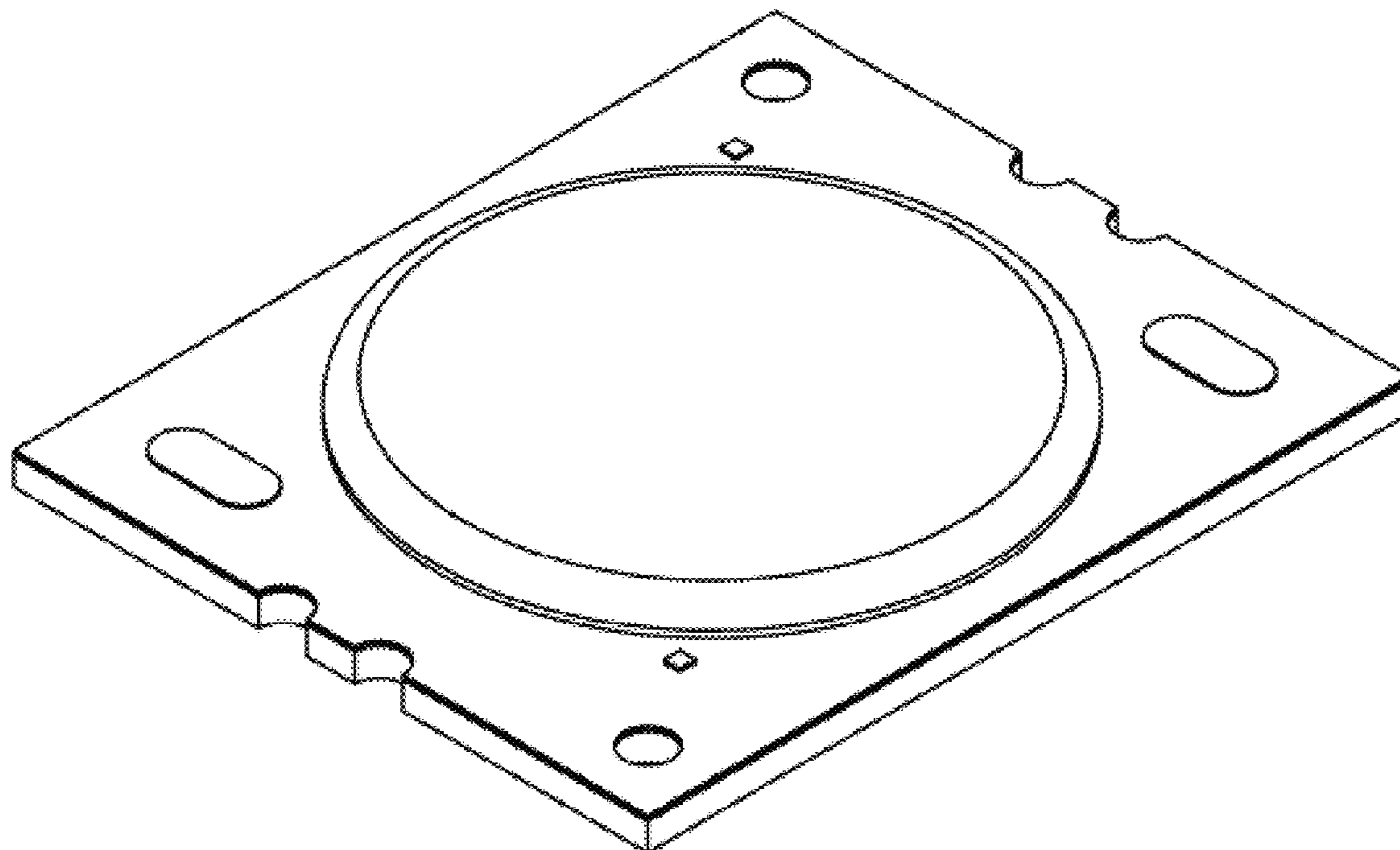
FIG. 5 is a right elevation view of the LED lighting unit.

FIG. 6 is a front elevation view of the LED lighting unit; and,

FIG. 7 is a bottom plan view of the LED lighting unit.

Any part of the LED lighting unit that might not be clearly
disclosed in the figures is not part of the claimed design.

1 Claim, 3 Drawing Sheets



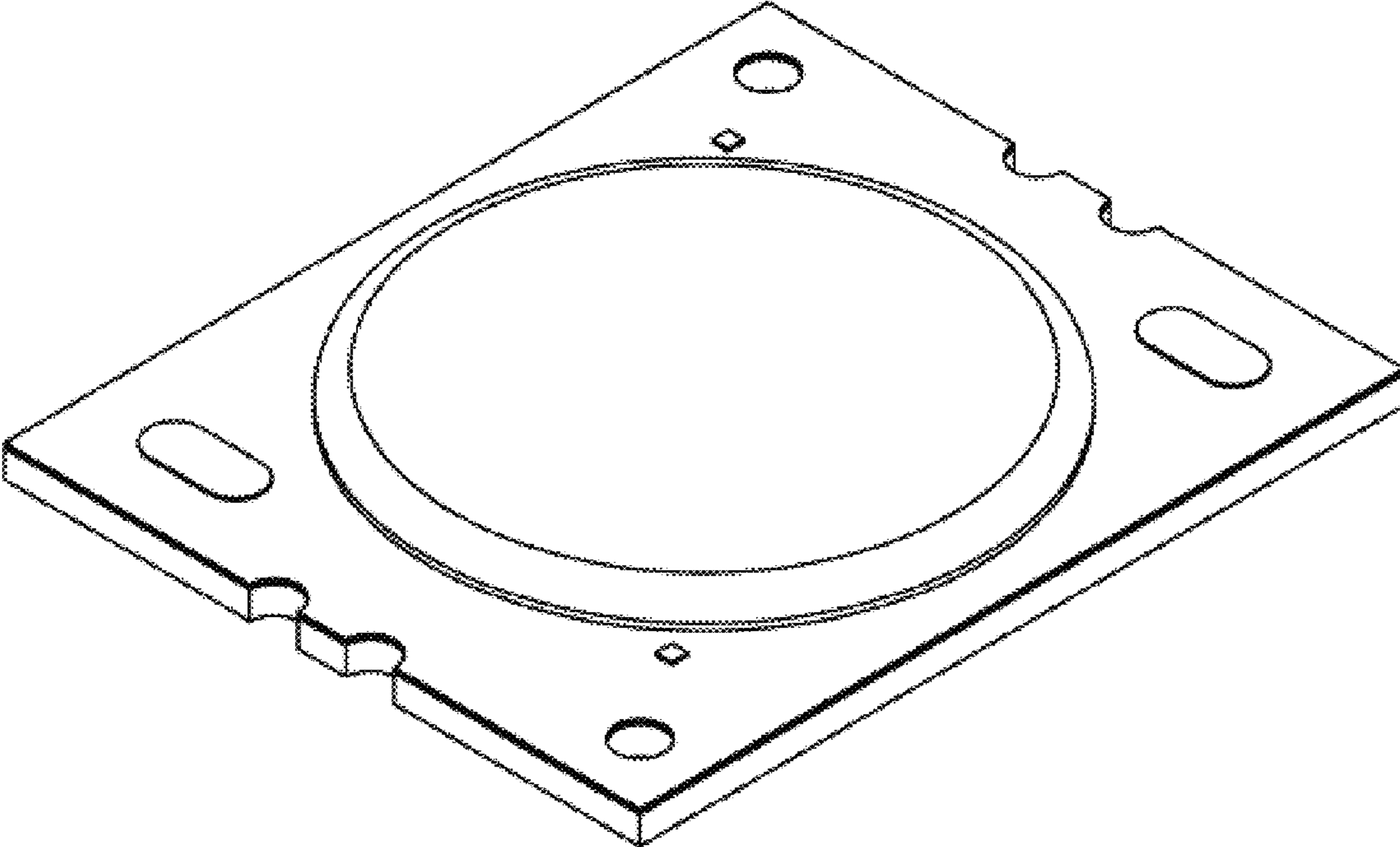


FIG. 1

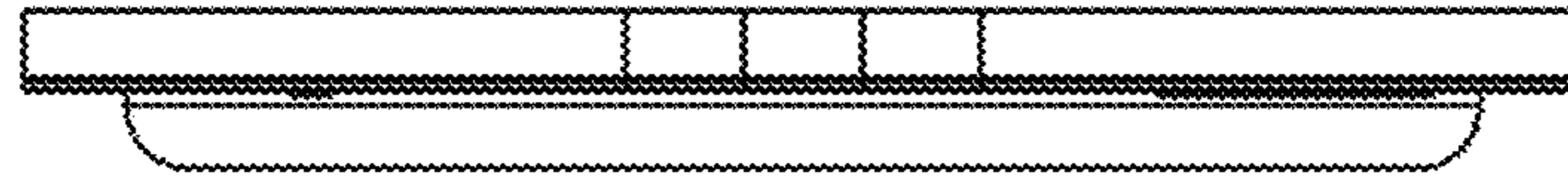


FIG. 2

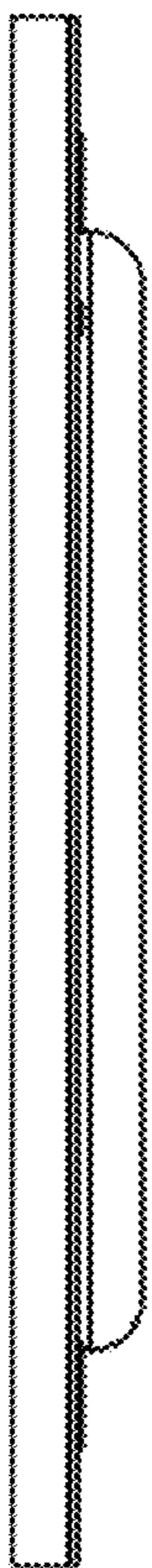


FIG. 3

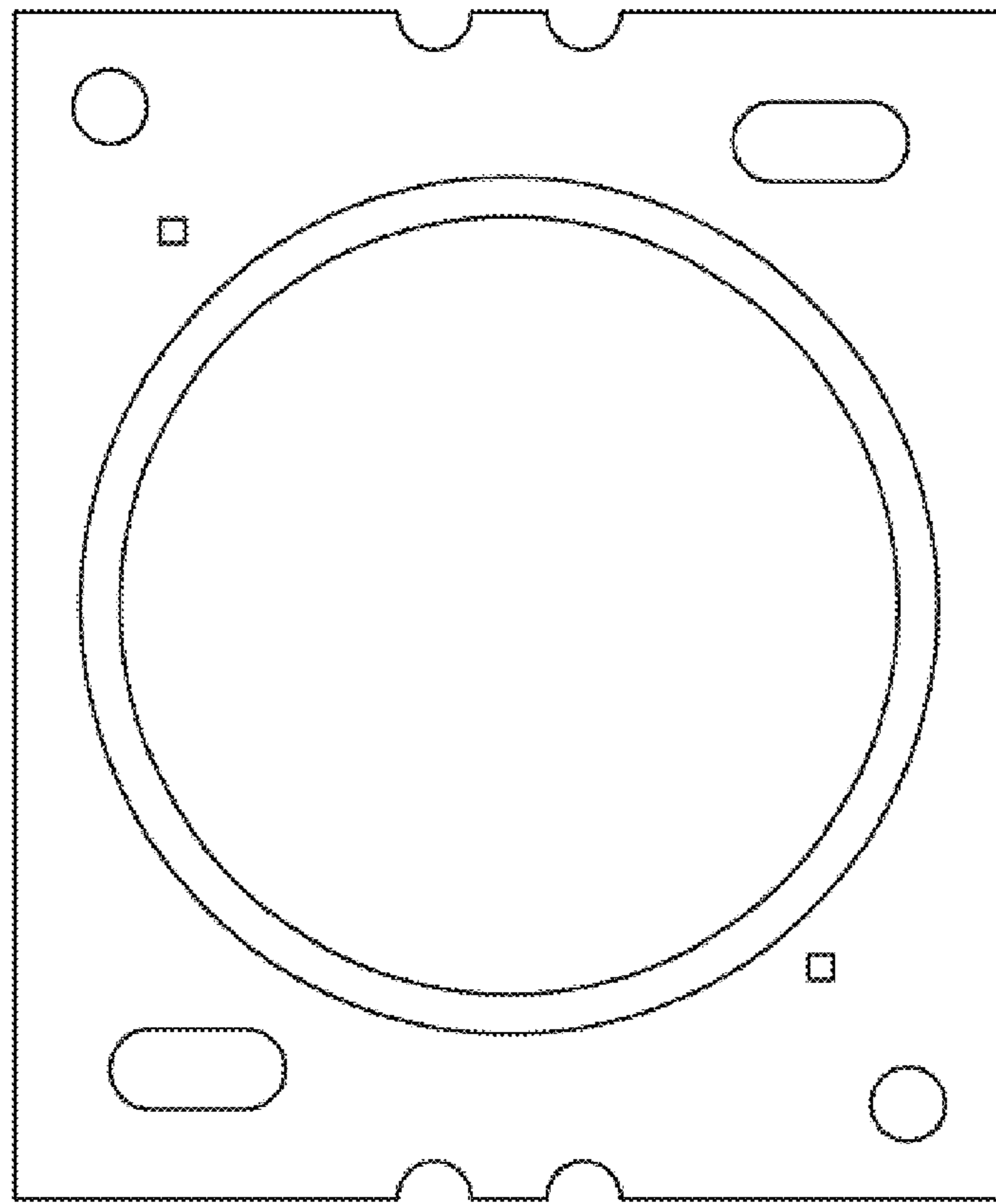


FIG. 4

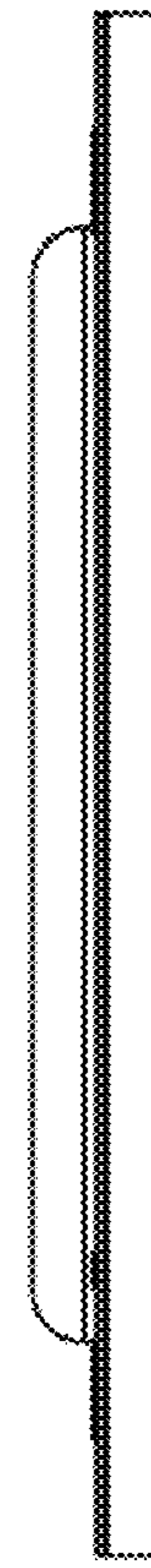


FIG. 5

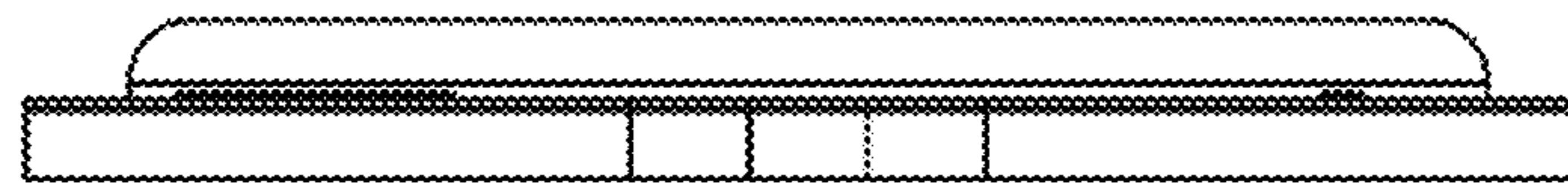


FIG. 6

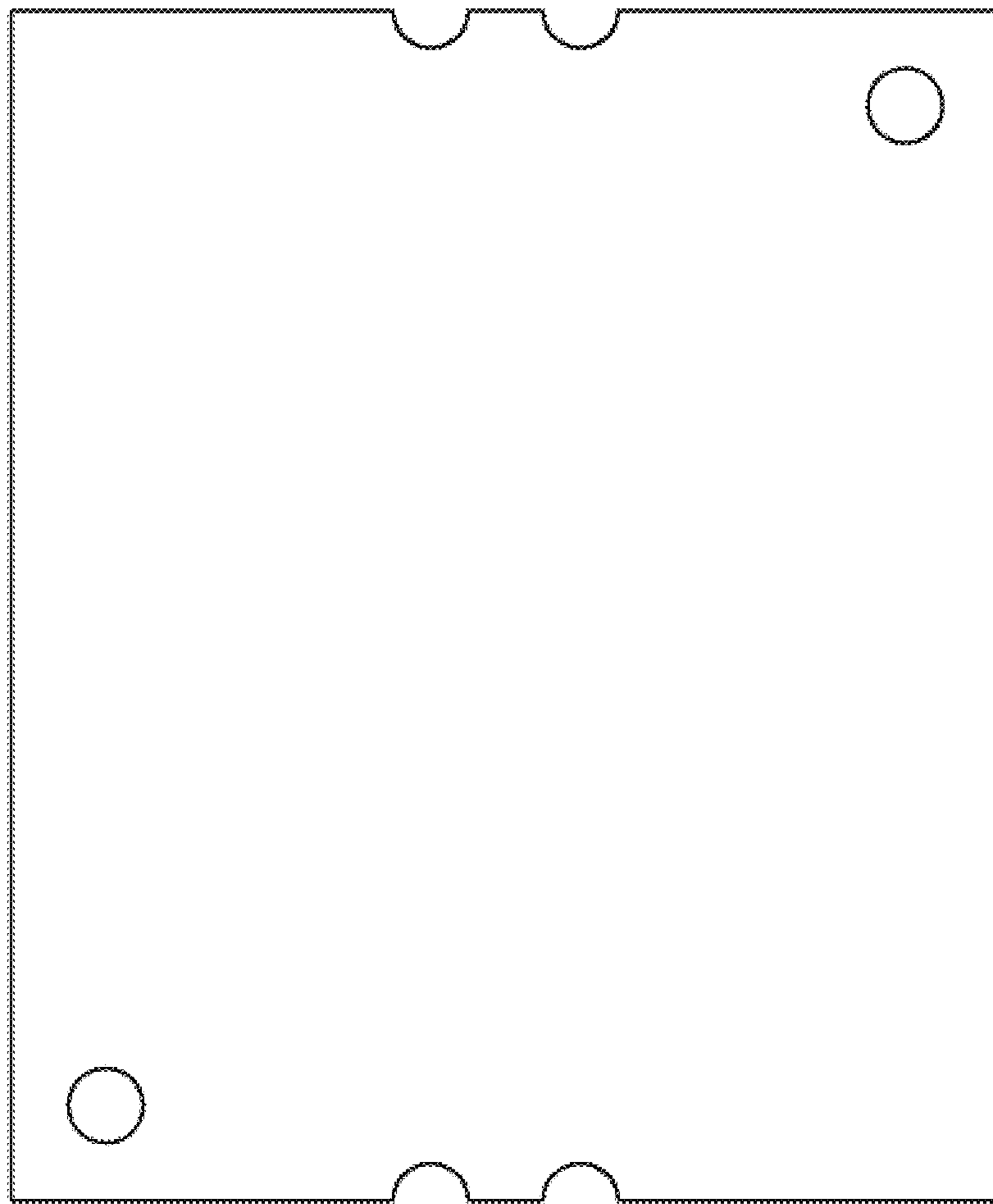


FIG. 7