



US00D748283S

(12) **United States Design Patent**
Nettles

(10) **Patent No.:** **US D748,283 S**
(45) **Date of Patent:** **** Jan. 26, 2016**

- (54) **EROSION BARRIER**
- (71) Applicant: **Deron Nettles**, Mount Pleasant, SC (US)
- (72) Inventor: **Deron Nettles**, Mount Pleasant, SC (US)
- (**) Term: **14 Years**
- (21) Appl. No.: **29/494,360**
- (22) Filed: **Jun. 19, 2014**
- (51) **LOC (10) Cl.** **25-02**
- (52) **U.S. Cl.**
USPC **D25/38.1**
- (58) **Field of Classification Search**
USPC D25/38.1
CPC E01F 7/04; E01F 7/00; E01F 7/045;
E02B 3/04; E02B 15/06; E02B 7/02; E02B
8/00
See application file for complete search history.

2013/0048227 A1* 2/2013 Cannova E01F 13/028
160/10

* cited by examiner

Primary Examiner — Doris Clark

(74) *Attorney, Agent, or Firm* — Smith Risely Tempel Santos LLC; Matthew T. Hoots

(57) **CLAIM**

The ornamental design for an erosion barrier, as shown and described.

DESCRIPTION

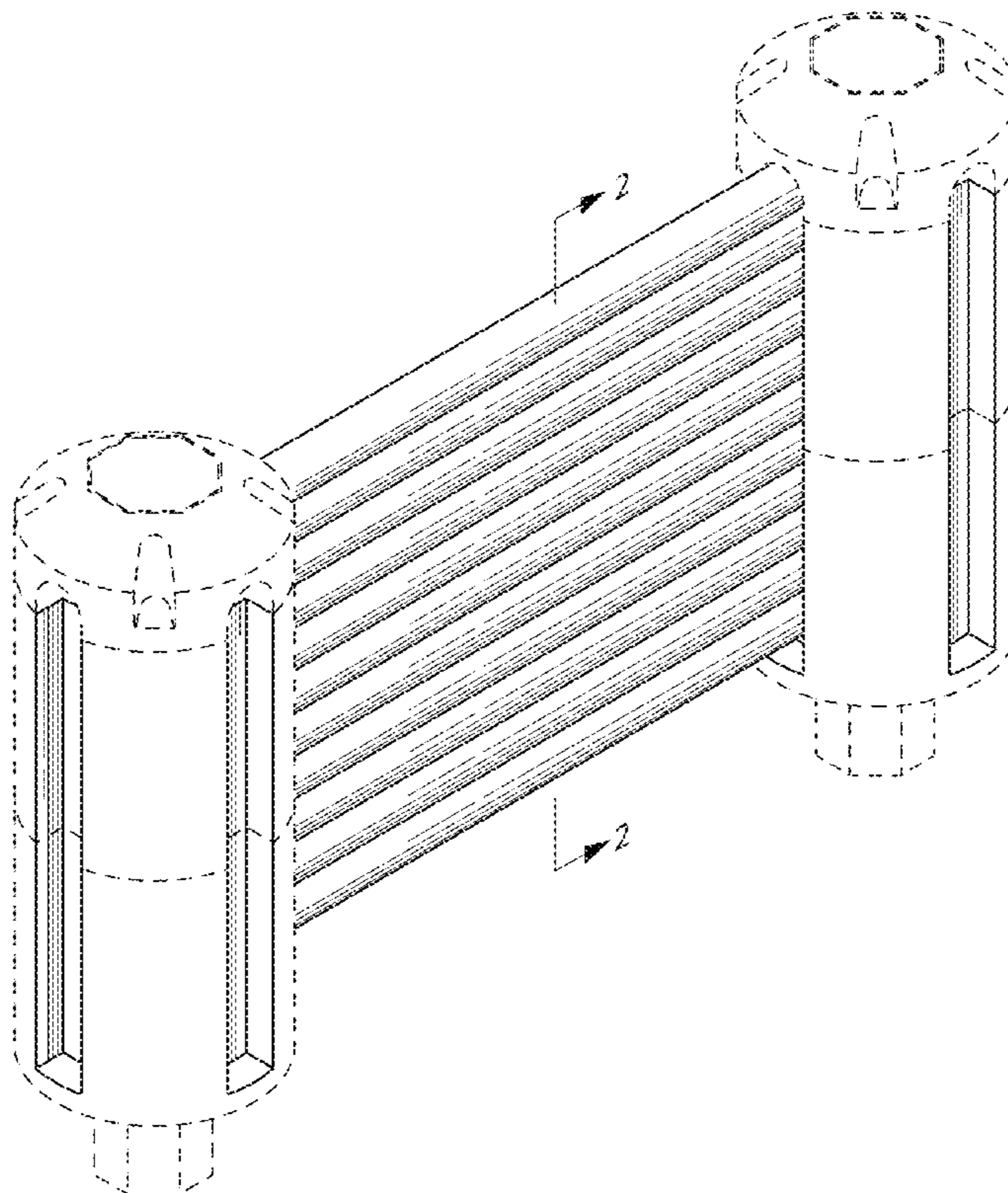
FIG. 1 is a top, perspective view of my new ornamental design for an erosion barrier;
 FIG. 2 is an exploded, sectional view taken along line 2-2 of the erosion barrier shown in FIG. 1;
 FIG. 3 is a bottom, perspective view of the erosion barrier shown in FIG. 1;
 FIG. 4 is a front view the back being identical to the erosion barrier shown in FIG. 1;
 FIG. 5 is a top view of the erosion barrier shown in FIG. 1;
 FIG. 6 is a bottom view of the erosion barrier shown in FIG. 1; and,
 FIG. 7 is a left side view the right side being identical to the erosion barrier shown in FIG. 1.
 The broken lines in the drawing of the erosion barrier are for illustrative purposes only and form no part of the claimed design.

(56) **References Cited**

U.S. PATENT DOCUMENTS

- 7,029,200 B1* 4/2006 Cravens E02B 3/04
405/111
- D696,791 S * 12/2013 Taylor D25/38.1
- D702,366 S * 4/2014 Mukith D25/38.1
- 2006/0159518 A1* 7/2006 Cravens B29C 41/06
405/16
- 2009/0257827 A1* 10/2009 Wilson E02D 17/20
405/21

1 Claim, 6 Drawing Sheets



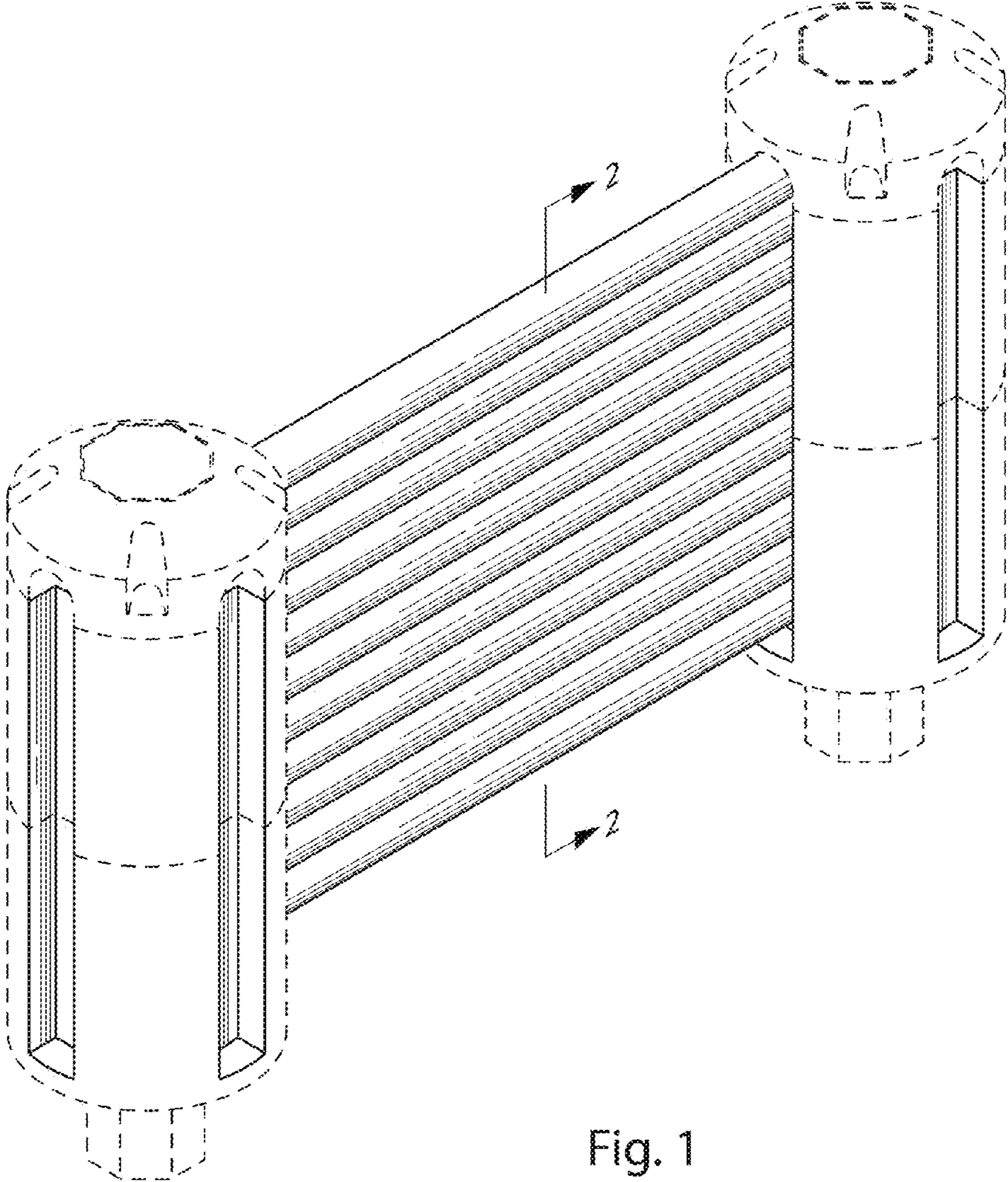


Fig. 1

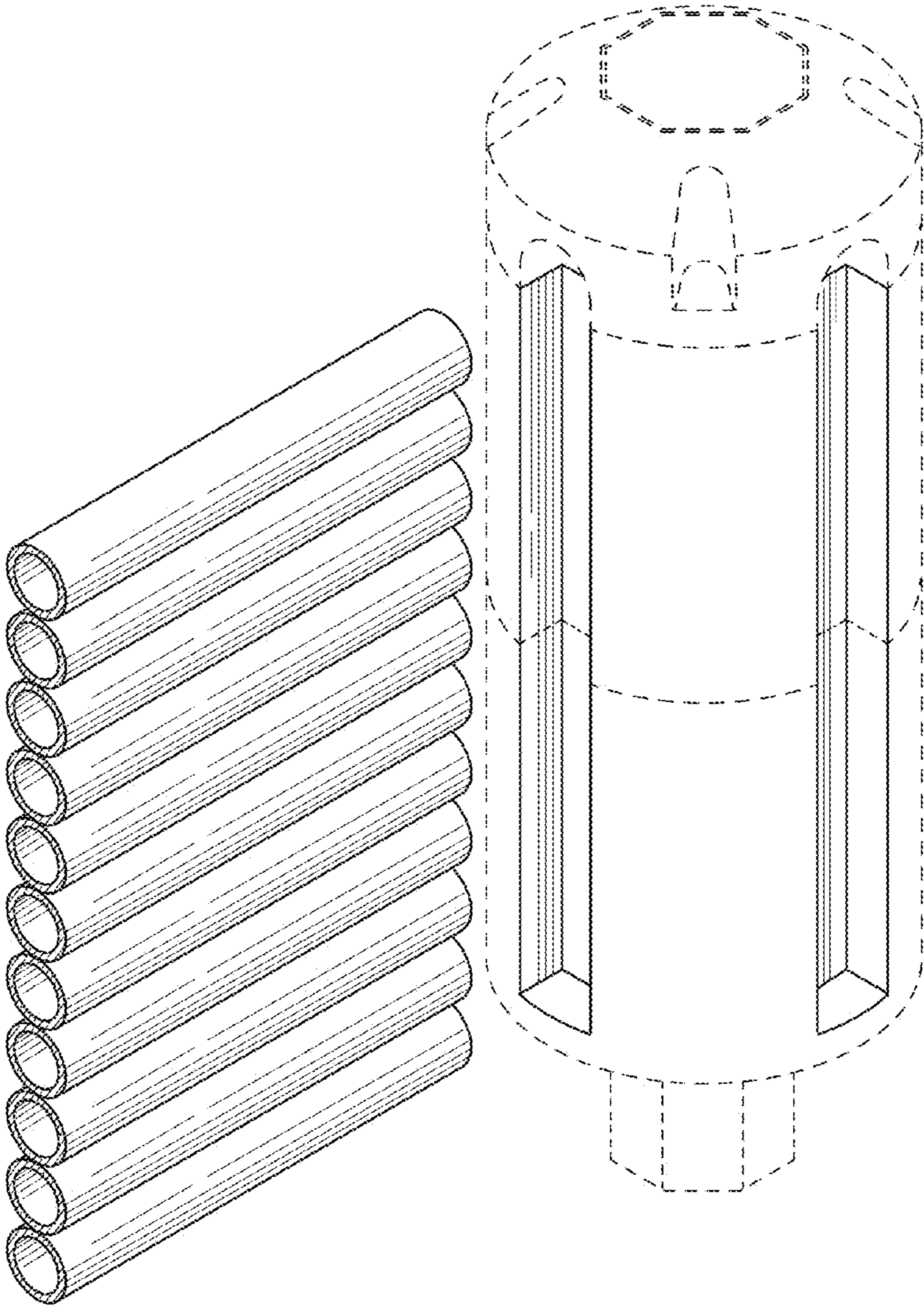


Fig. 2

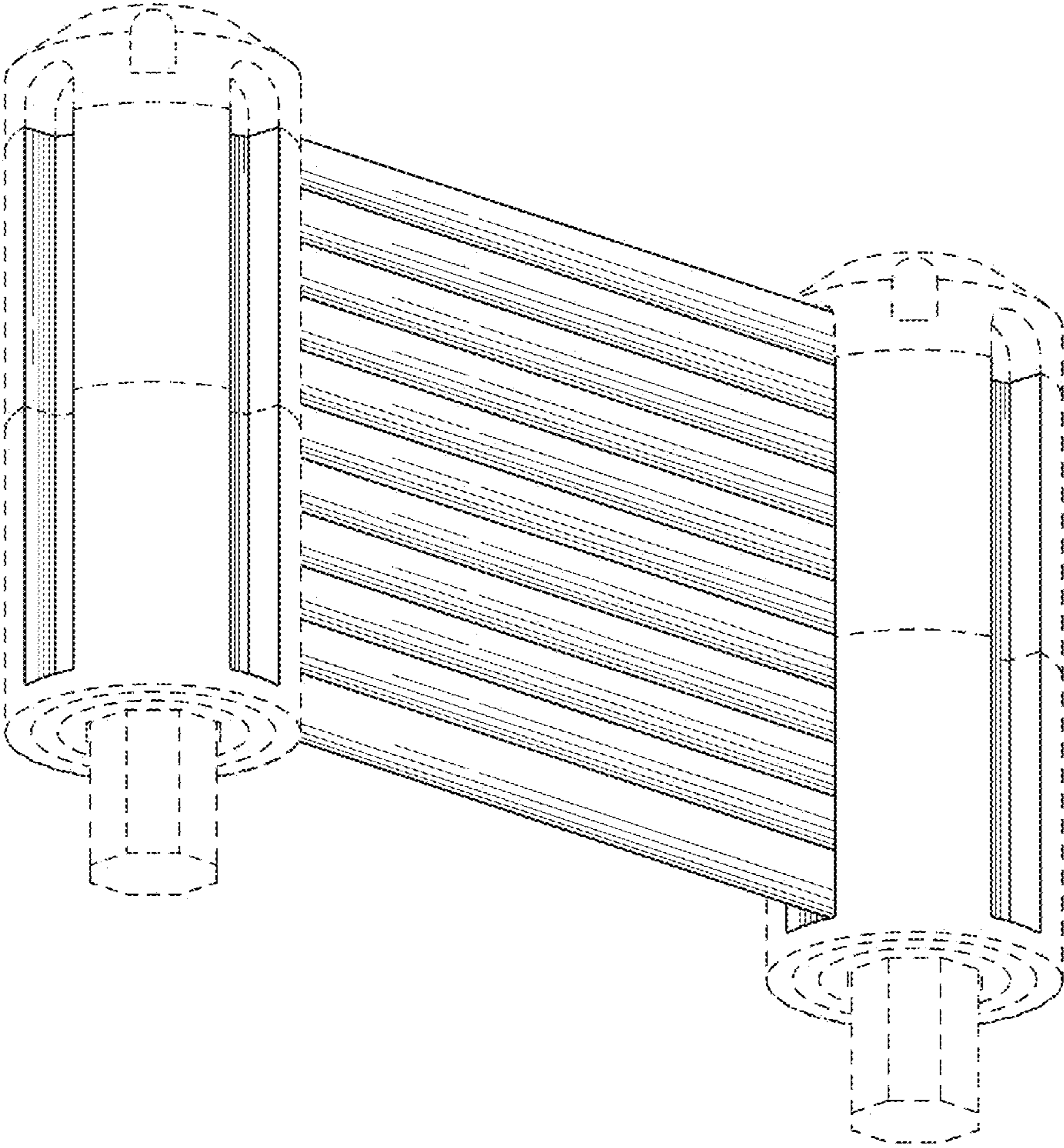


Fig. 3

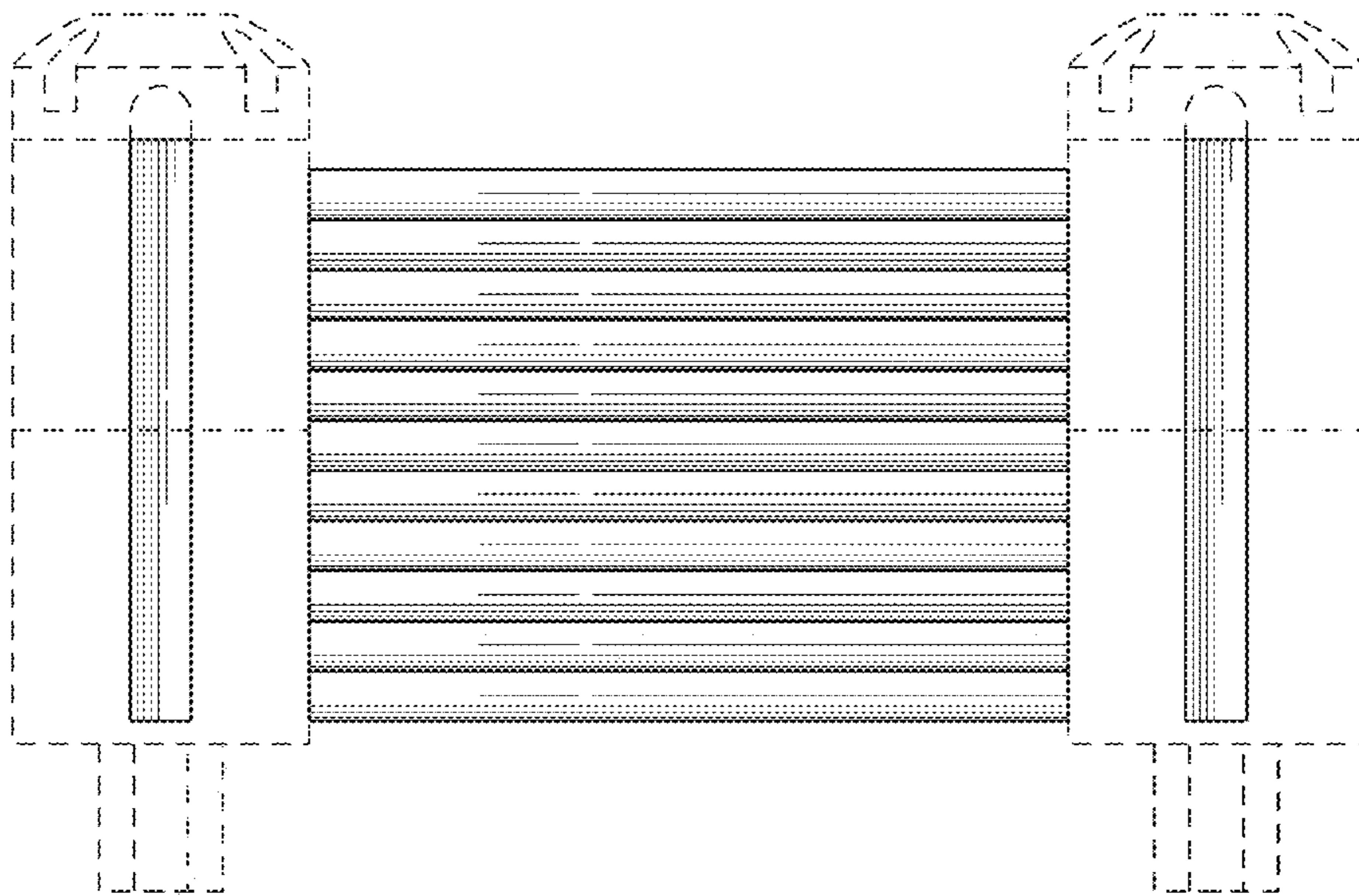


Fig. 4

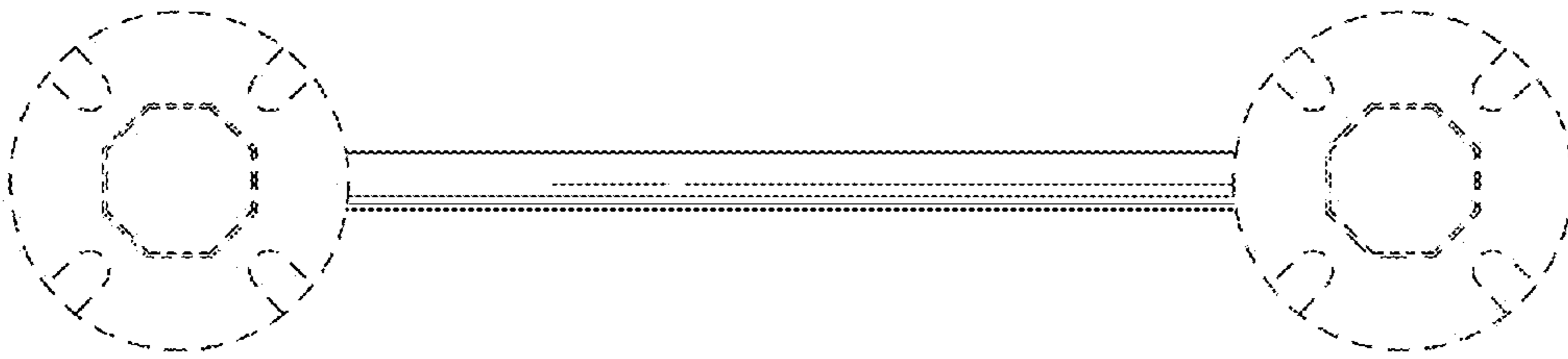


Fig. 5

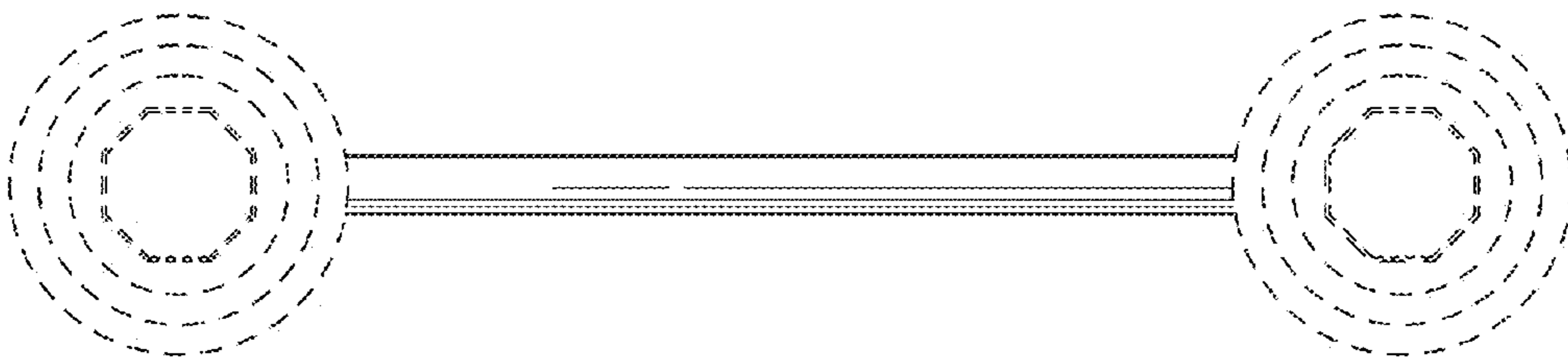


Fig. 6

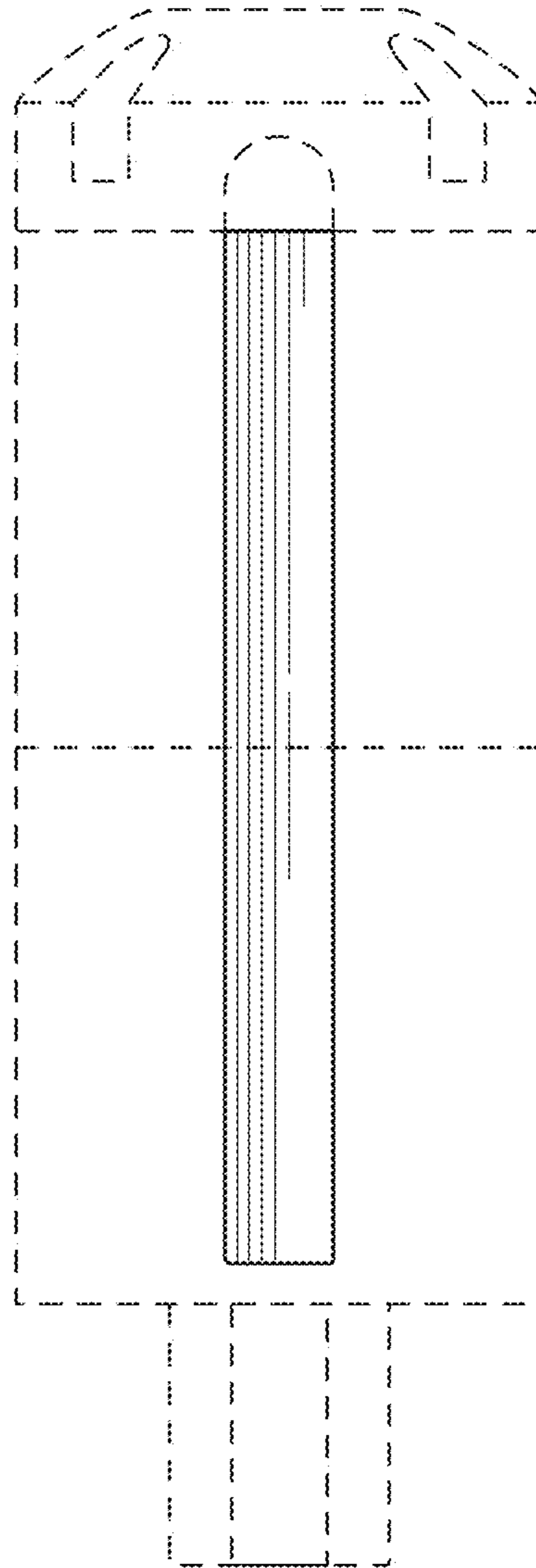


Fig. 7