



US00D748280S

(12) **United States Design Patent**  
**Lui**

(10) **Patent No.:** **US D748,280 S**  
(45) **Date of Patent:** **\*\* Jan. 26, 2016**

(54) **SHIPPING CONTAINER**

(71) Applicant: **Theranos, Inc.**, Palo Alto, CA (US)

(72) Inventor: **Clarissa Lui**, Palo Alto, CA (US)

(73) Assignee: **Theranos, Inc.**, Palo Alto, CA (US)

(\*\*) Term: **15 Years**

(21) Appl. No.: **29/528,999**

(22) Filed: **Jun. 2, 2015**

**Related U.S. Application Data**

(63) Continuation of application No. 29/466,739, filed on Sep. 11, 2013, now Pat. No. Des. 733,318, which is a continuation-in-part of application No. 29/466,442, filed on Sep. 8, 2013, now Pat. No. Des. 733,315, and a continuation-in-part of application No. 29/466,443, filed on Sep. 8, 2013, now Pat. No. Des. 733,316.

(51) **LOC (10) Cl.** ..... **24-02**

(52) **U.S. Cl.**  
USPC ..... **D24/227**; D3/203.1; D9/759

(58) **Field of Classification Search**  
USPC ..... D24/216, 217, 224-232, 131;  
D3/203.1-203.6, 272; D9/420, 423,  
D9/430, 432, 424, 732, 629, 429; 220/793,  
220/839, 258.3; 206/83, 528, 438, 63.5,  
206/815, 508; 422/560-564; 435/305.1,  
435/288.3, 288.4

CPC ..... B65D 2543/00296; B65D 43/162;  
B65D 51/20; B65D 85/42; A61C 19/008;  
A61C 19/02; A61F 2/0095; B01L 9/06;  
B01L 3/5085; C12M 1/24; C12M 23/08

See application file for complete search history.

(56) **References Cited**

U.S. PATENT DOCUMENTS

D264,810 S *	6/1982	Voltmann .....	D3/203.3
4,401,229 A *	8/1983	Bell .....	B65D 43/168 220/258.3
D271,239 S *	11/1983	Lemieux .....	D24/230
D278,412 S *	4/1985	Yeung .....	D9/420
D280,015 S *	8/1985	Sarajian .....	D24/227
D282,577 S *	2/1986	Neumeister .....	D24/226
D295,074 S *	4/1988	Jerge .....	D24/217
D299,955 S *	2/1989	Kendrick, Sr. ....	D24/229
D316,146 S *	4/1991	Payne .....	D24/227
5,012,928 A *	5/1991	Proffitt .....	B65D 21/0233 206/508

(Continued)

*Primary Examiner* — T. Chase Nelson

*Assistant Examiner* — Mark Cavanna

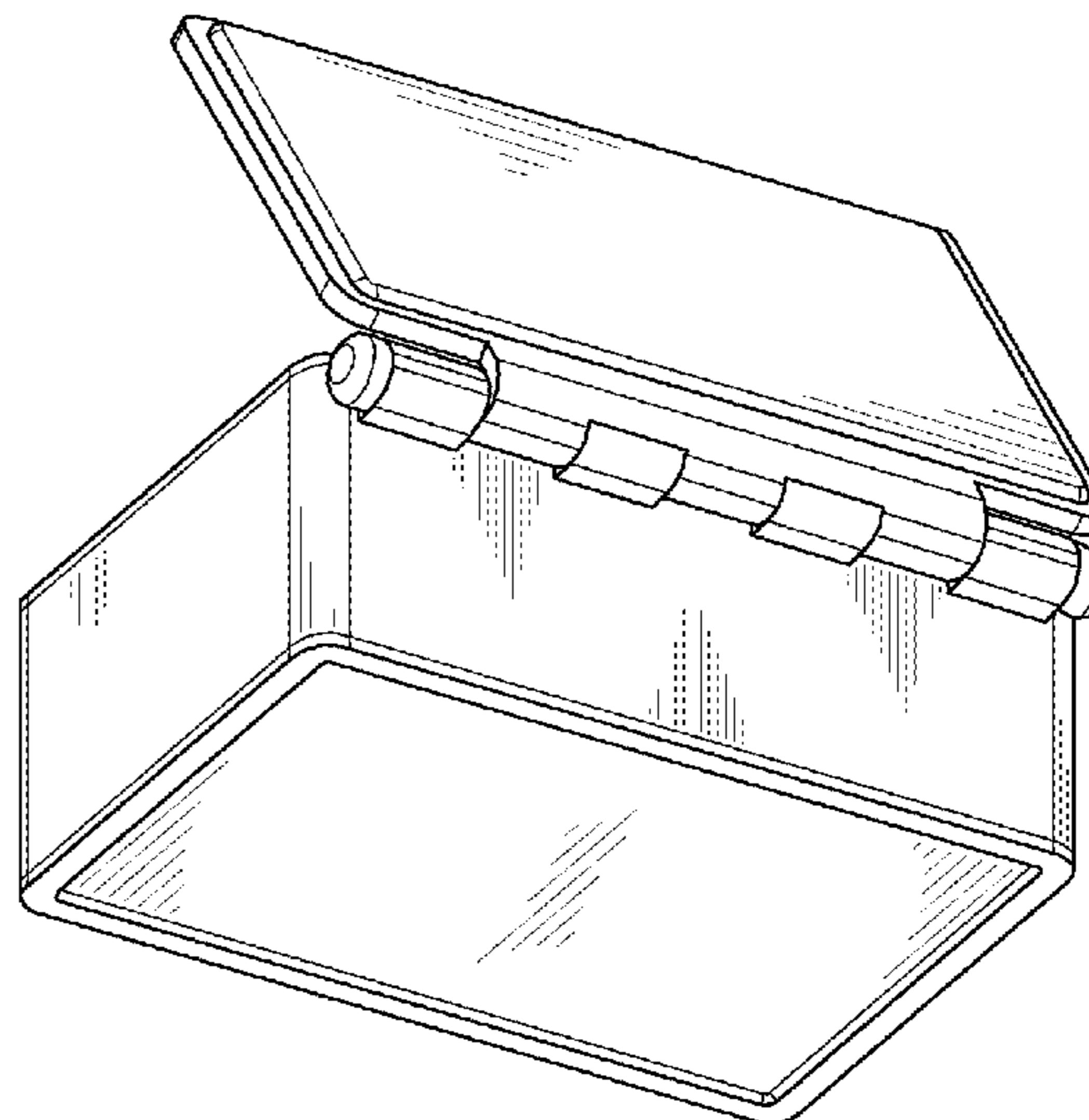
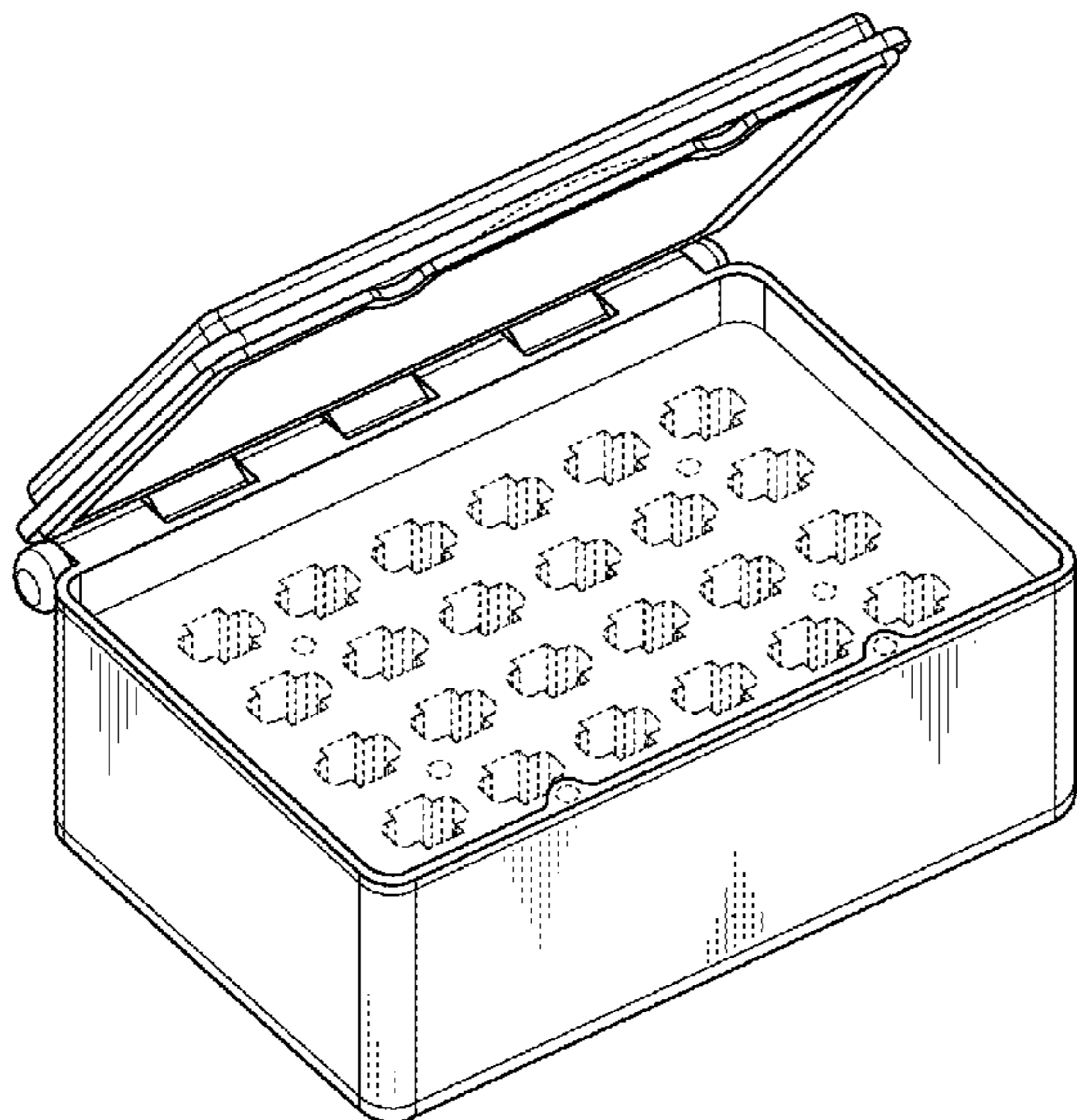
(57) **CLAIM**

The ornamental design for a shipping container, as shown and described.

**DESCRIPTION**

FIG. 1 is a top perspective view of a shipping container with a closed lid, showing our new design;  
FIG. 2 is a very enlarged side view thereof, with lid closed;  
FIG. 3 is a very reduced top view thereof with lid closed;  
FIG. 4 is an enlarged rear view thereof, with lid closed;  
FIG. 5 is a bottom perspective view thereof with lid closed;  
FIG. 6 is a top perspective view of a shipping container with an open lid;  
FIG. 7 is a reduced side view thereof, with an open lid;  
FIG. 8 is a reduced top view thereof with an open lid;  
FIG. 9 is a reduced rear view thereof, with an open lid; and,  
FIG. 10 is a bottom perspective view thereof with an open lid.  
The broken lines are included for the purpose of illustrating unclaimed portions of the shipping container and form no part of the claimed design.

**1 Claim, 5 Drawing Sheets**



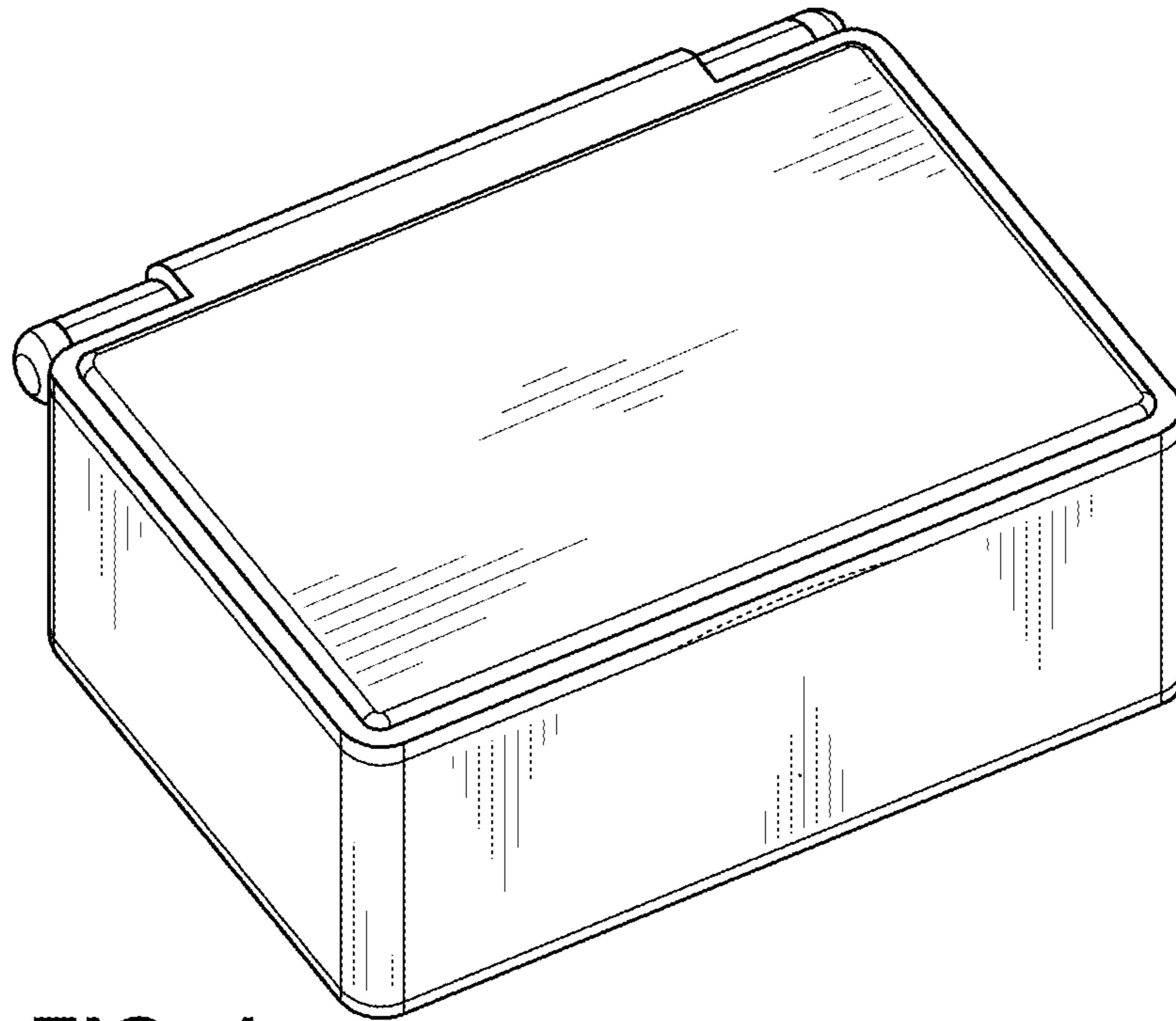
(56)

References Cited

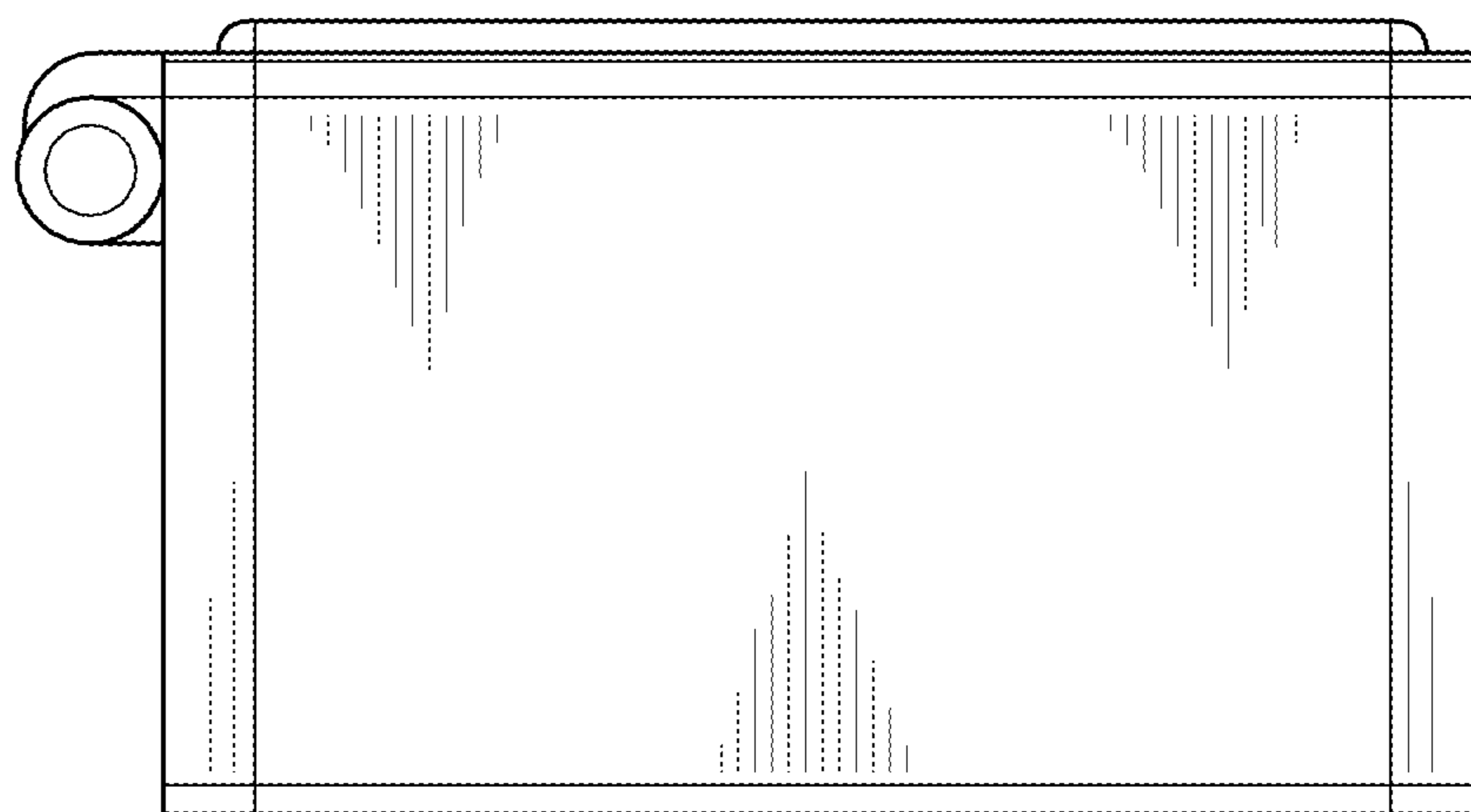
U.S. PATENT DOCUMENTS

D324,819 S *	3/1992	Eisenberg	.....	D3/203.3	D526,064 S *	8/2006	Wood	.....	D24/229
5,204,130 A *	4/1993	McDevitt	.....	A47G 19/30	D529,622 S *	10/2006	Hadjis	.....	D24/229
				206/815	D543,120 S *	5/2007	Coe	.....	D9/732
D352,116 S *	11/1994	Kienholz	.....	D24/227	D551,515 S *	9/2007	Ablo	.....	D7/629
D376,647 S *	12/1996	Marsh	.....	D24/131	D574,505 S *	8/2008	Muller-Cohn	.....	D24/216
5,906,292 A *	5/1999	Rider, Jr.	.....	B65D 43/162	D593,207 S *	5/2009	Ayliffe	.....	D24/229
				220/839	D618,516 S *	6/2010	DiPietro	.....	D7/629
D411,308 S *	6/1999	Pandey	.....	D24/230	D664,845 S *	8/2012	Everson	.....	D7/629
D423,111 S *	4/2000	Davis	.....	D24/226	8,460,622 B2 *	6/2013	Motadel	.....	B01L 9/543
D476,423 S *	6/2003	Picot	.....	D24/217					422/564
D484,797 S *	1/2004	Kipperman	.....	D9/424	D698,938 S *	2/2014	Fonseca	.....	D24/224
D487,315 S *	3/2004	Picot	.....	D24/217	D699,370 S *	2/2014	Motadel	.....	D24/229
6,875,405 B1 *	4/2005	Mathus	.....	B01L 9/06	D707,847 S *	6/2014	Motadel	.....	D24/227
				206/562	D711,549 S *	8/2014	Trump	.....	D24/224
D525,714 S *	7/2006	Ueda	.....	D24/227	D711,550 S *	8/2014	Trump	.....	D24/224
					2007/0012710 A1 *	1/2007	Vovan	.....	B65D 43/162
									220/793

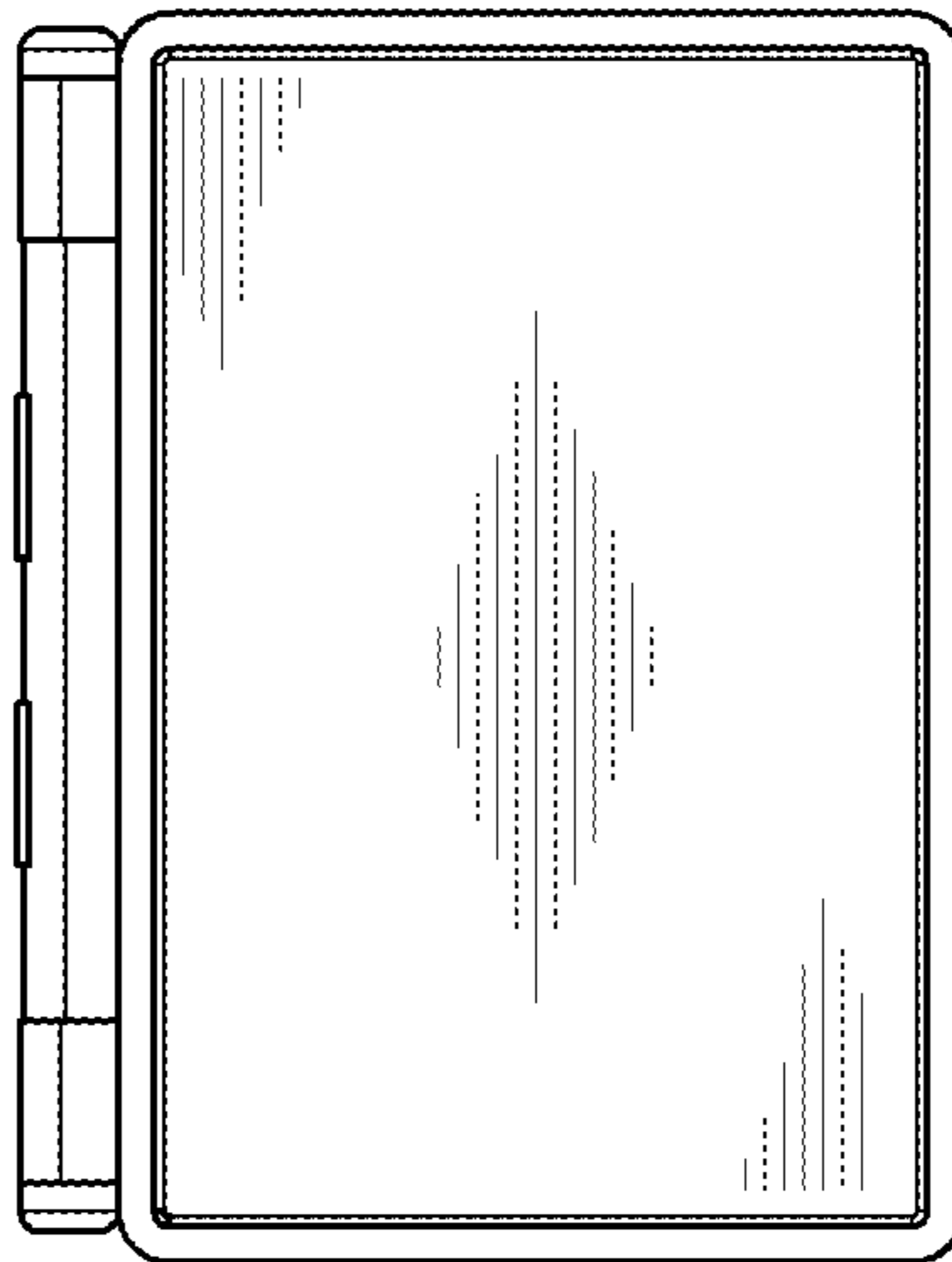
\* cited by examiner



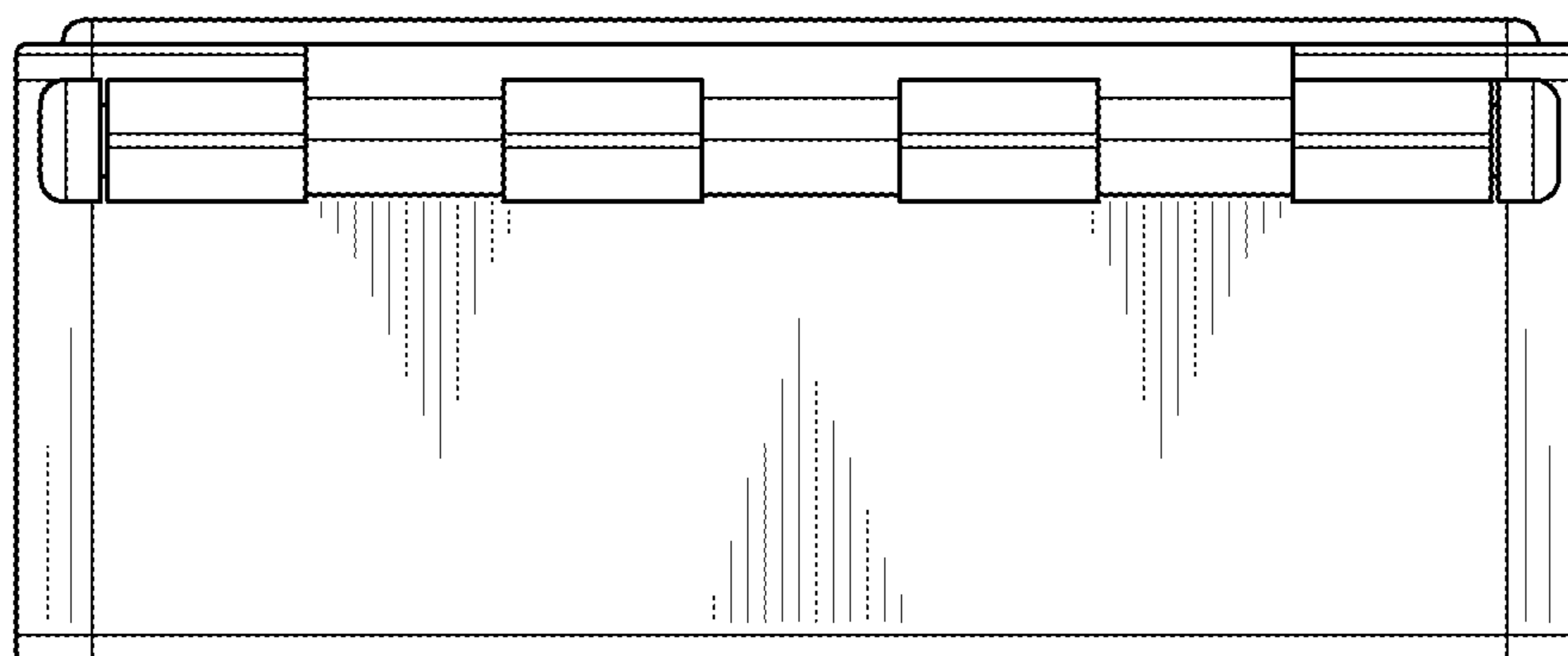
**FIG. 1**



**FIG. 2**

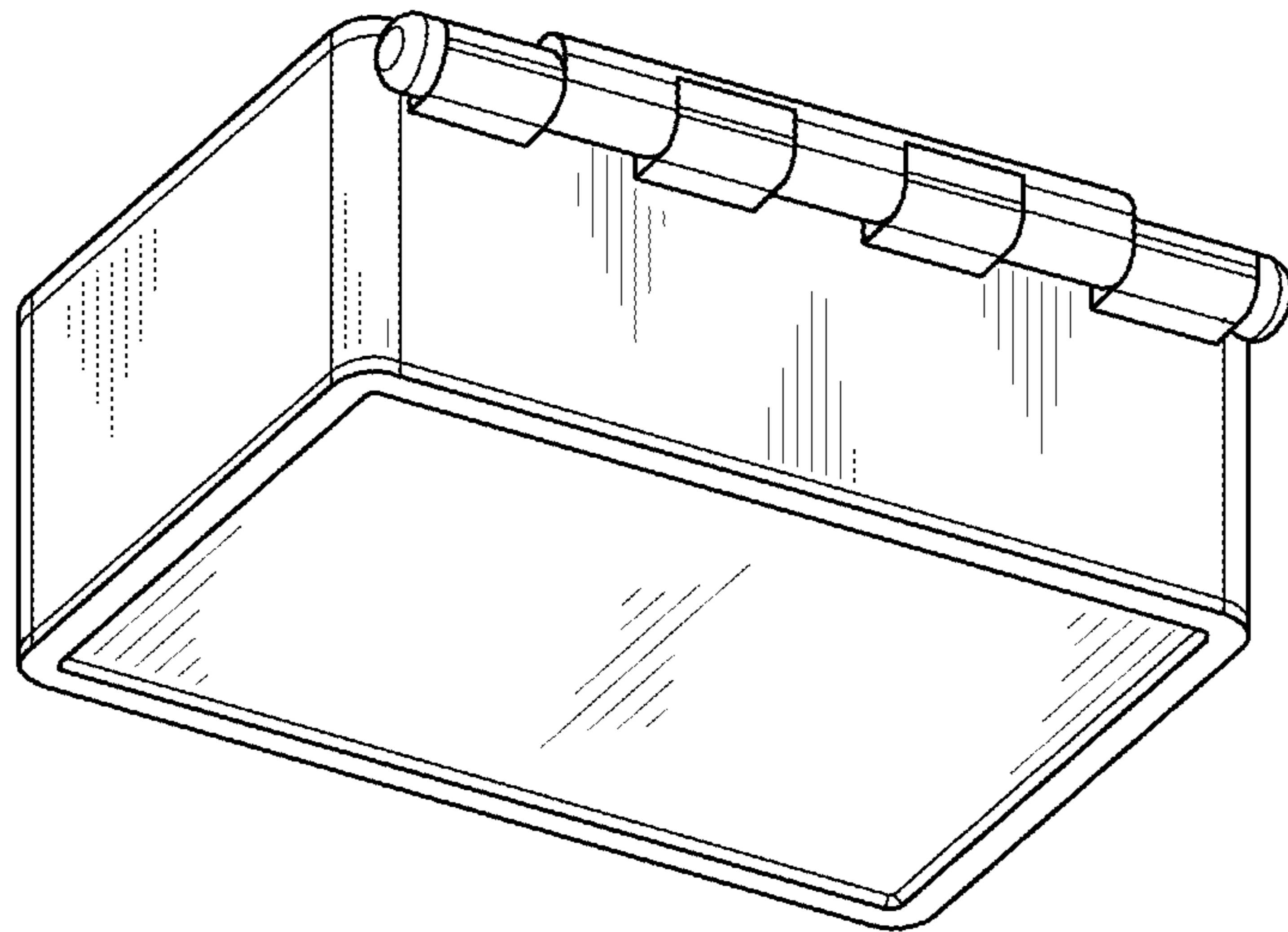


**FIG. 3**

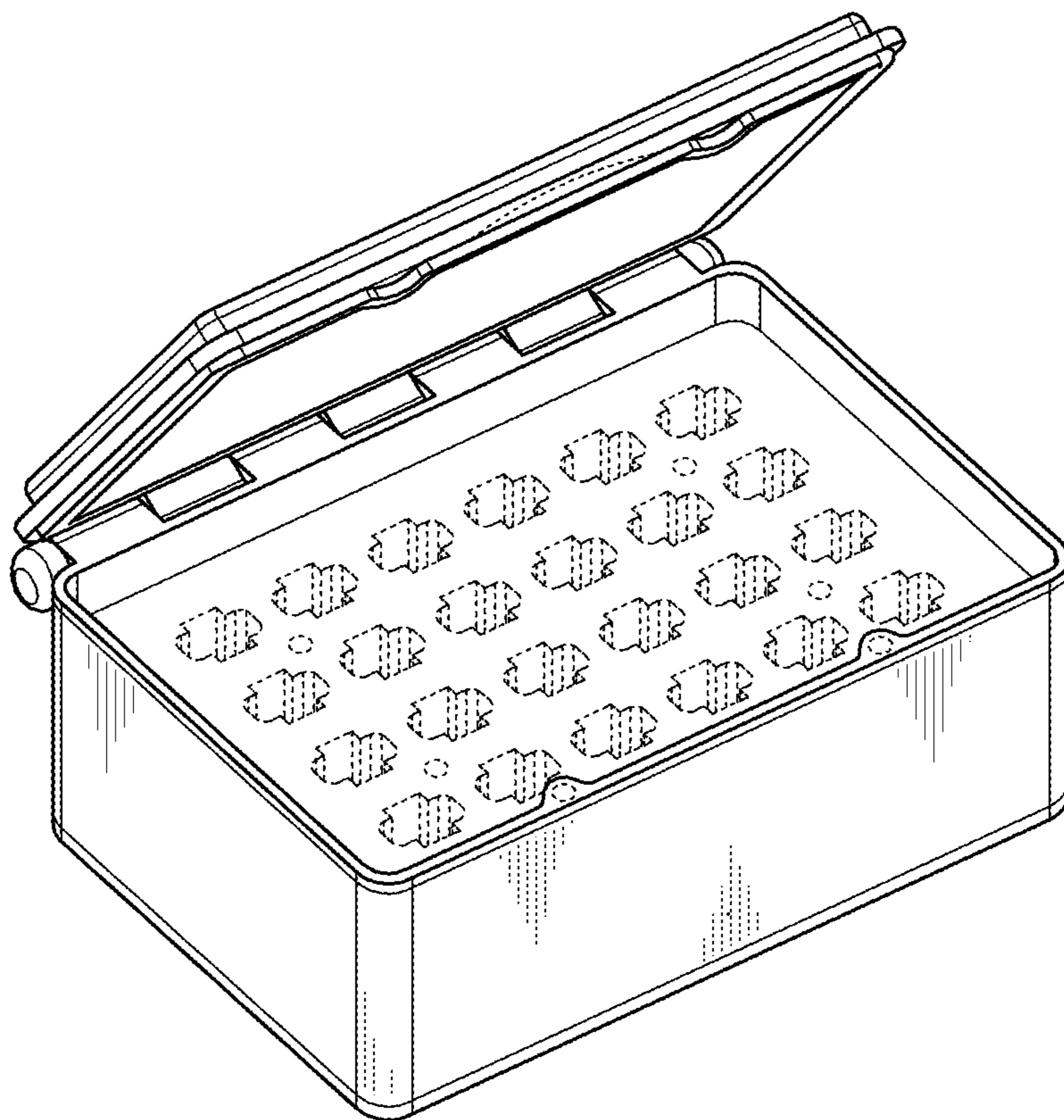


**FIG. 4**

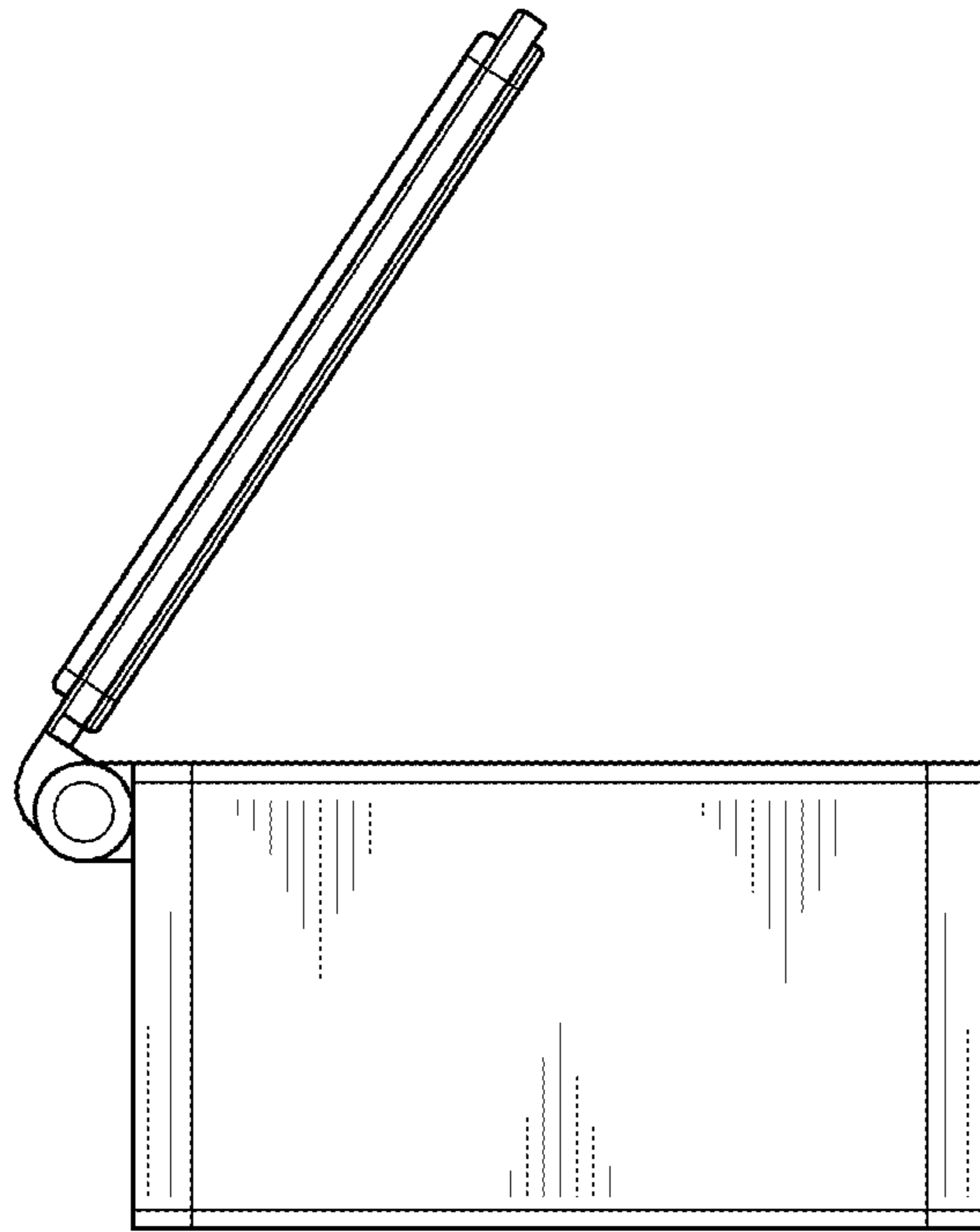




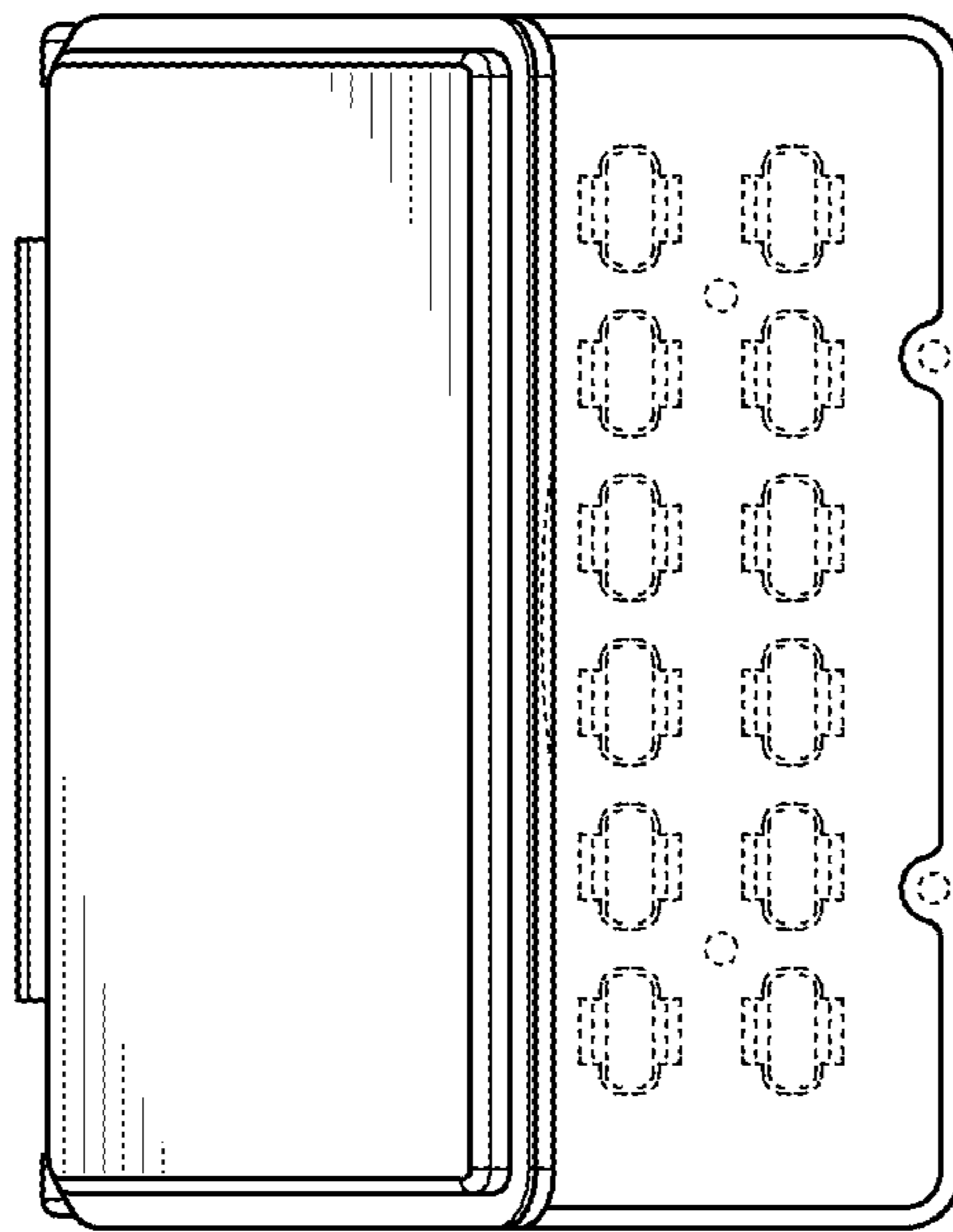
**FIG. 5**



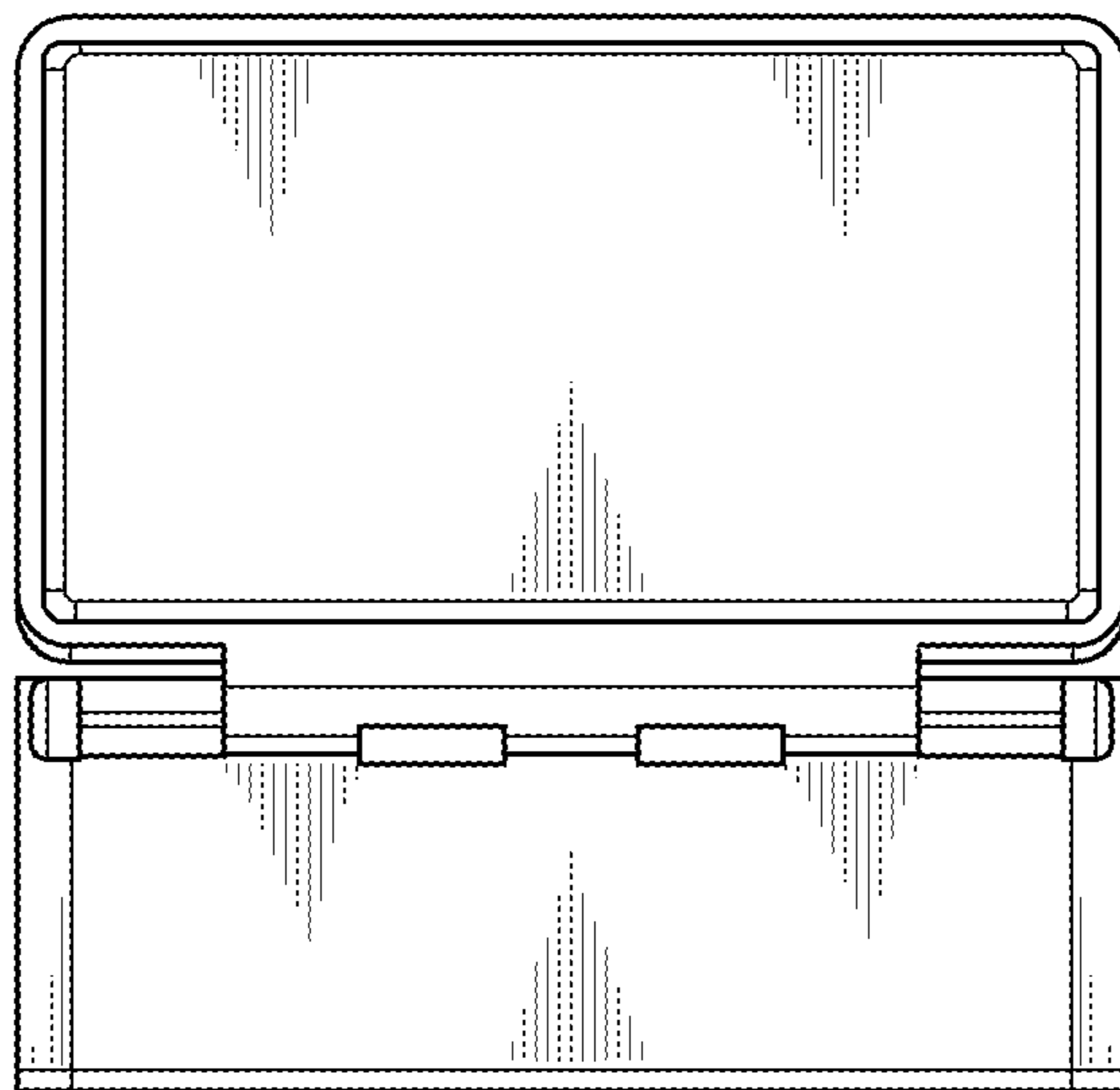
**FIG. 6**



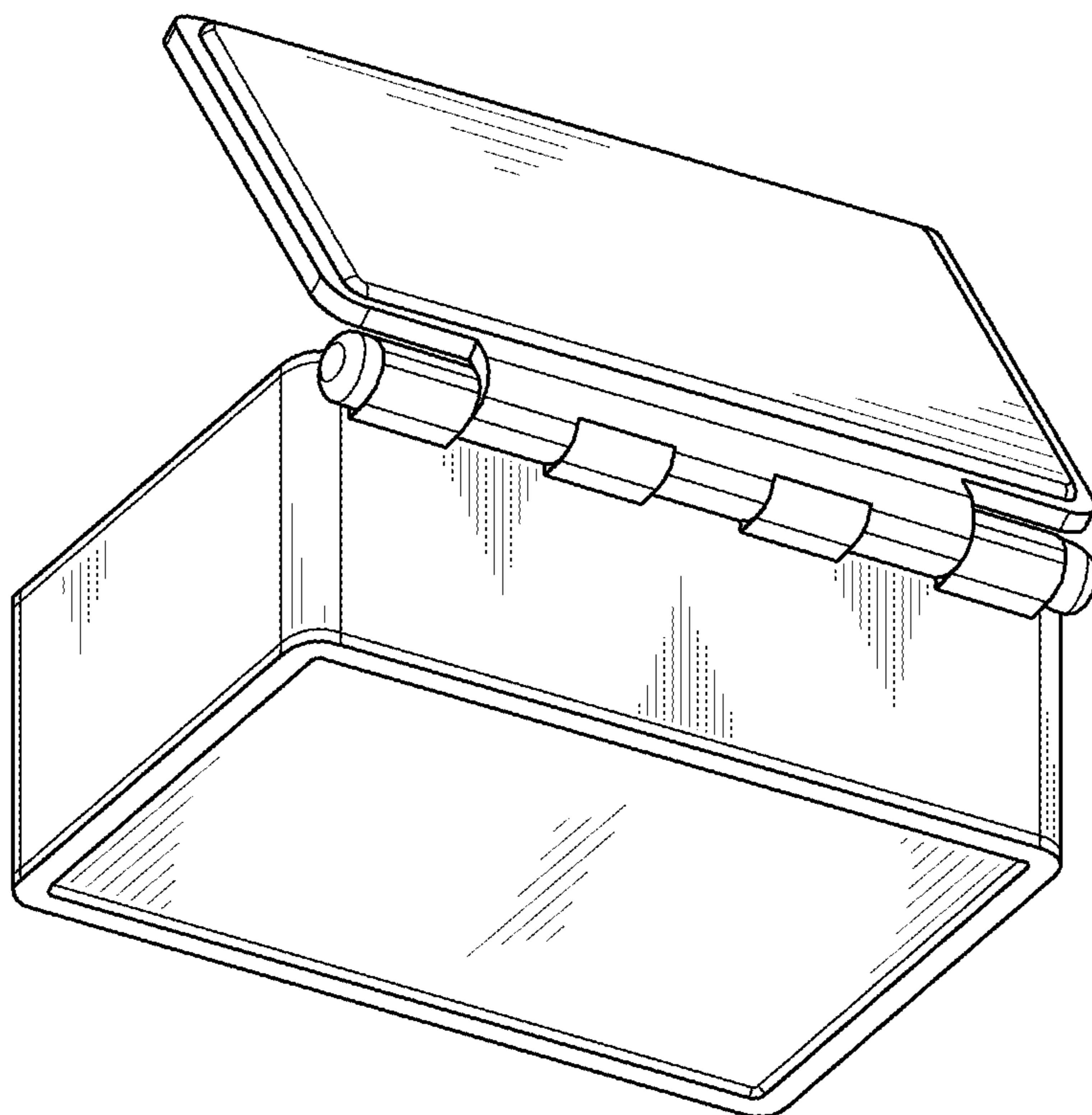
**FIG. 7**



**FIG. 8**



**FIG. 9**



**FIG. 10**