



US00D748279S

(12) **United States Design Patent**
McHale

(10) **Patent No.:** **US D748,279 S**
(45) **Date of Patent:** **** Jan. 26, 2016**

- (54) **SAMPLE CONTAINER**
- (71) Applicant: **Theranos, Inc.**, Palo Alto, CA (US)
- (72) Inventor: **Patricia McHale**, Palo Alto, CA (US)
- (73) Assignee: **Theranos, Inc.**, Palo Alto, CA (US)
- (**) Term: **14 Years**
- (21) Appl. No.: **29/466,413**
- (22) Filed: **Sep. 6, 2013**
- (51) **LOC (10) Cl.** **24-02**
- (52) **U.S. Cl.**
USPC **D24/227**
- (58) **Field of Classification Search**
USPC D24/216, 219, 222-232, 121;
D3/203.1-203.8; 422/300, 297, 500,
422/509, 547-566; D9/741, 743;
211/126.1; 206/443, 446, 528, 438,
206/557, 562-563, 363-365
CPC A61L 2/26; B01L 2300/0816; B01L
3/50825; B01L 3/5021; B01L 3/5082; B01L
3/5085; B01L 3/505; B01L 9/06; G01N
35/10; G01N 35/1002; A47F 5/0025; B65D
85/20; B65D 85/42; B65D 71/72
See application file for complete search history.

D345,611 S *	3/1994	Long	D24/226
D401,700 S *	11/1998	Gray	D24/224
D501,561 S *	2/2005	Smith	D24/230
D501,562 S *	2/2005	Smith	D24/227
D501,679 S *	2/2005	Smith	D24/229
D501,680 S *	2/2005	Smith	D24/216
D510,769 S *	10/2005	Bublewitz	D24/224
D514,705 S *	2/2006	Bublewitz	D24/224
D519,209 S *	4/2006	Bublewitz	D24/176
D522,145 S *	5/2006	Best	D10/81
D544,610 S *	6/2007	Ouchi	D24/224
D624,194 S *	9/2010	Pack	D24/224
D657,473 S *	4/2012	Miyashita	D24/224
D666,736 S *	9/2012	Kobayashi	D24/224
D688,385 S *	8/2013	Trump	D24/224
D705,444 S *	5/2014	D'Argy	D24/227
D709,210 S *	7/2014	D'Argy	D24/227
2014/0118733 A1 *	5/2014	Harward	G01N 21/65 356/301

* cited by examiner

Primary Examiner — T. Chase Nelson
Assistant Examiner — Mark Cavanna

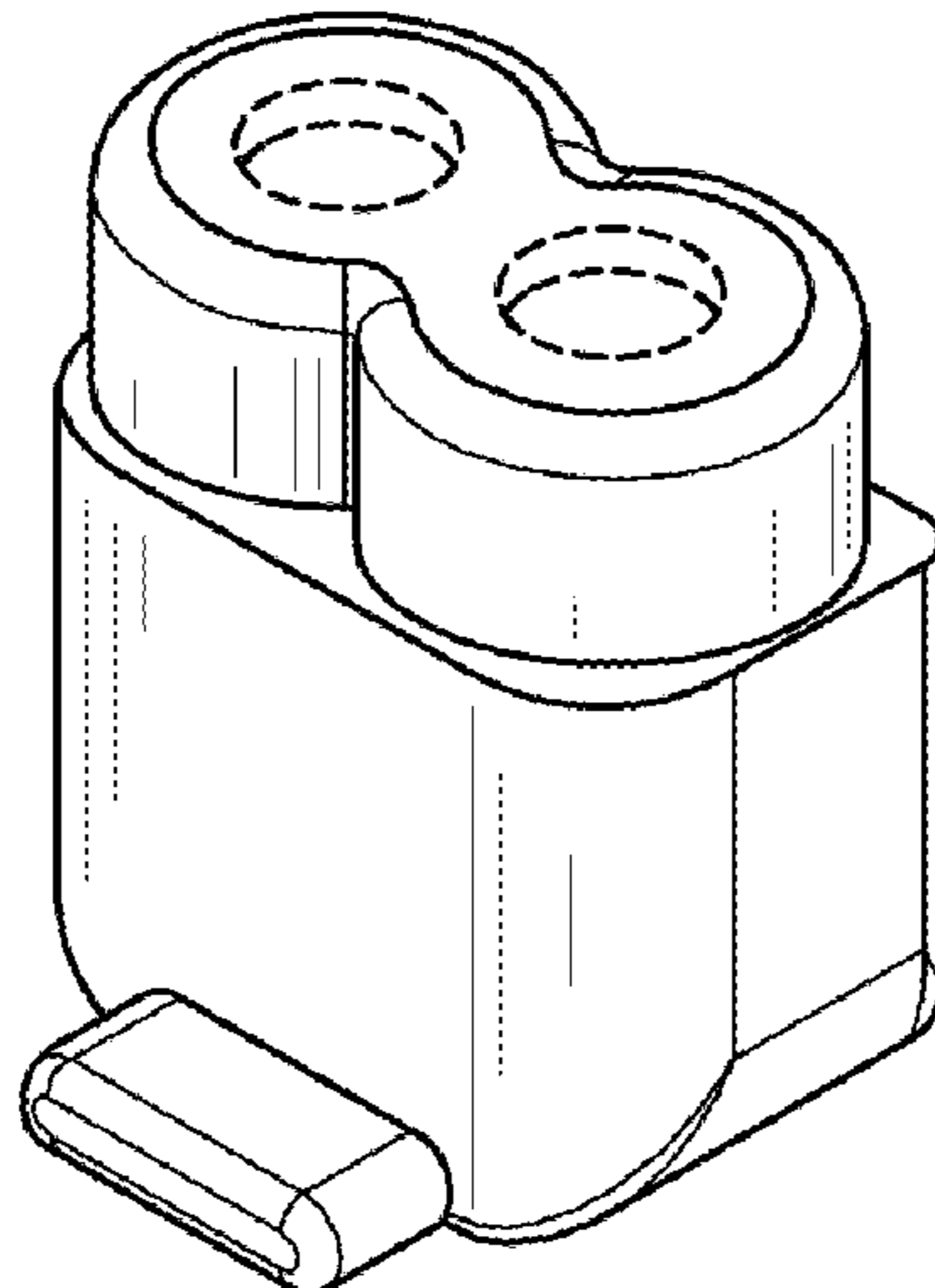
(57) **CLAIM**
The ornamental design for a sample container, as shown and described.

DESCRIPTION

FIG. 1 is a front top perspective view of a sample container, showing our new design;
FIG. 2 is a front view thereof;
FIG. 3 is a back view thereof;
FIG. 4 is a side view thereof;
FIG. 5 is a top view thereof; and,
FIG. 6 is a bottom view thereof.
The broken lines are included for the purpose of illustrating portions of the sample container that form no part of the claimed design.

1 Claim, 2 Drawing Sheets

- (56) **References Cited**
U.S. PATENT DOCUMENTS
3,072,362 A * 1/1963 Elvy B65G 51/06
422/561
D285,118 S * 8/1986 Huang D24/226
D311,876 S * 11/1990 Kiegami D10/81
D339,869 S * 9/1993 Schea, III D24/227
D342,793 S * 12/1993 Balmer D24/224
D344,138 S * 2/1994 Nagata D24/224



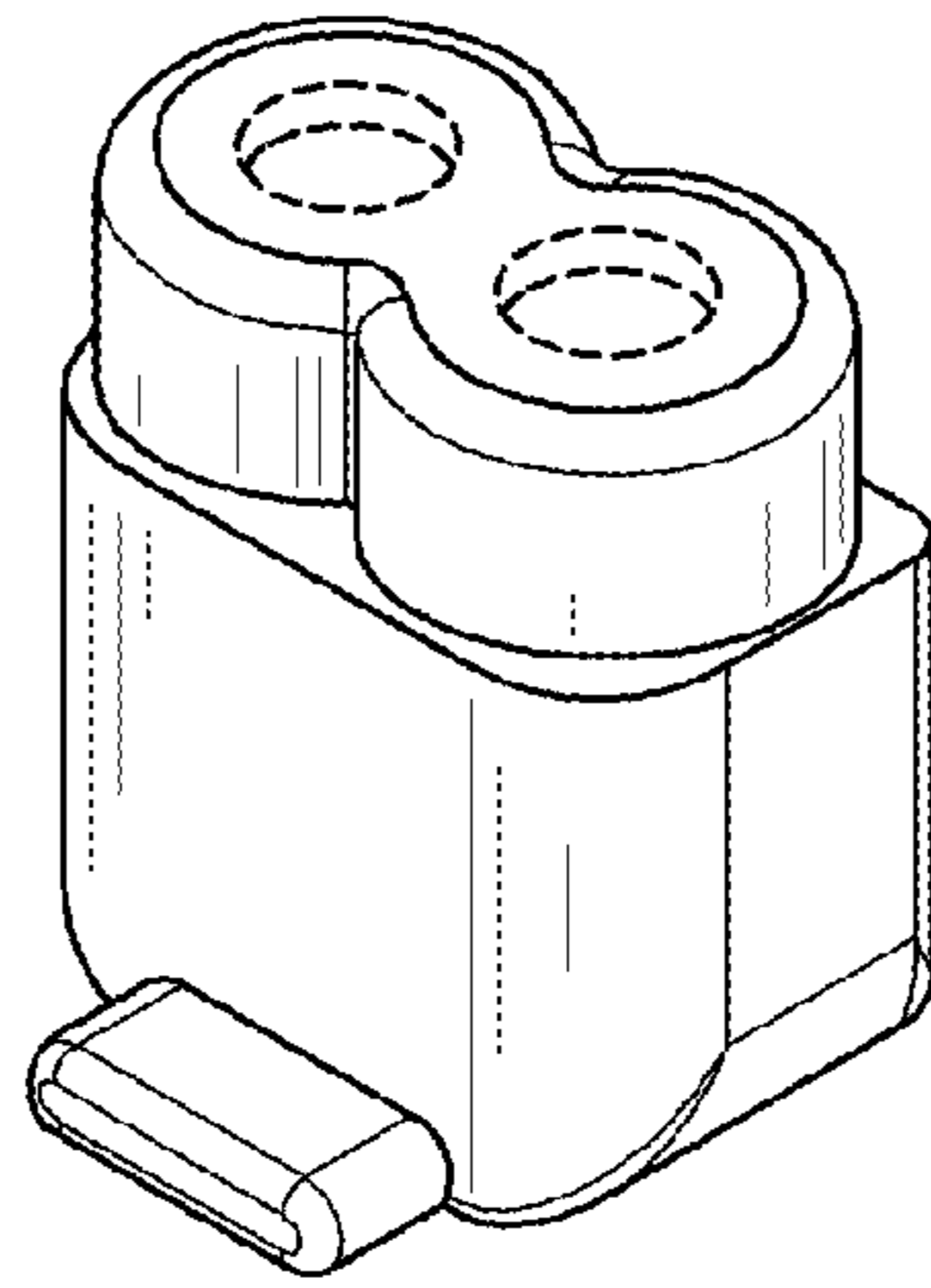


FIG. 1

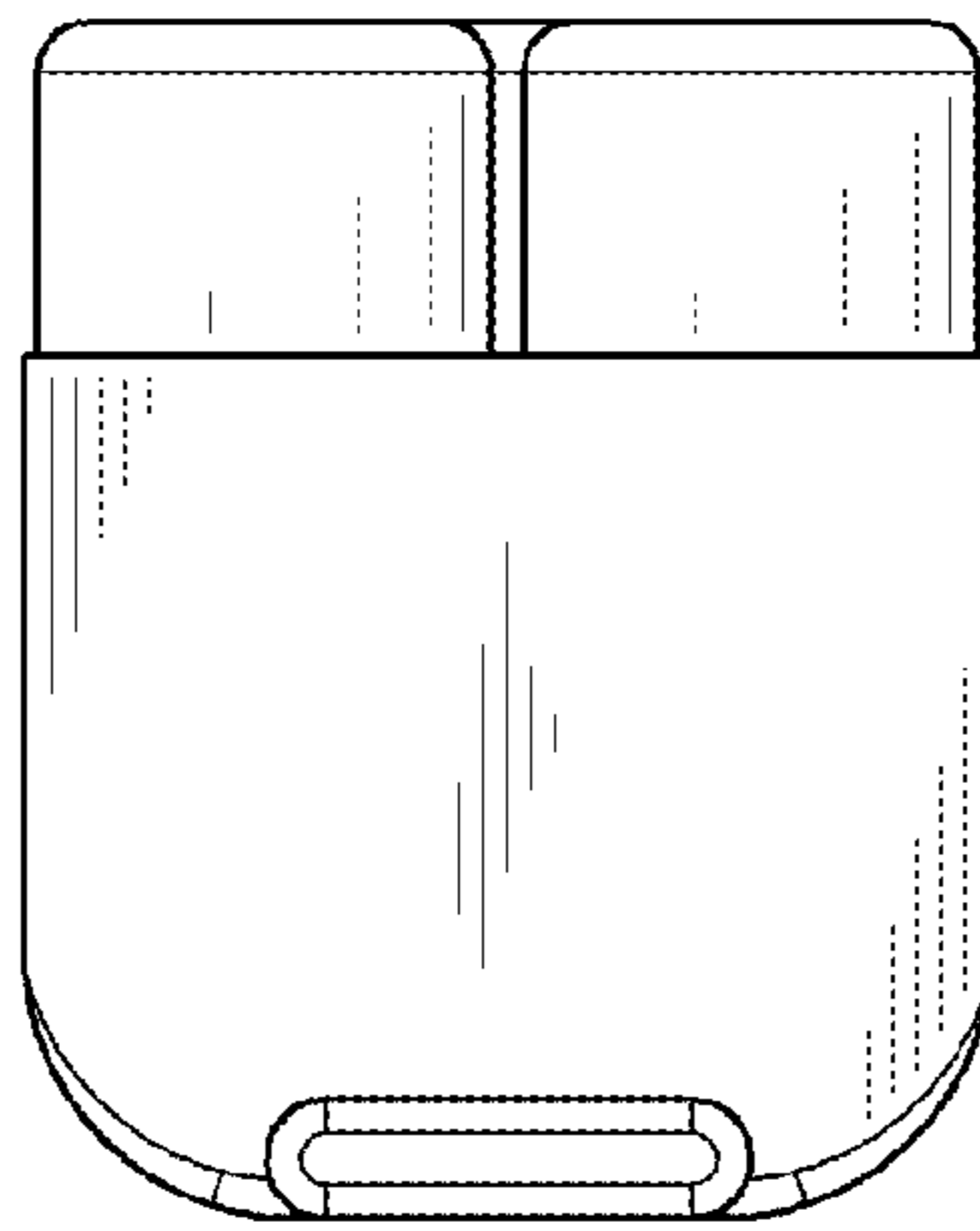


FIG. 2

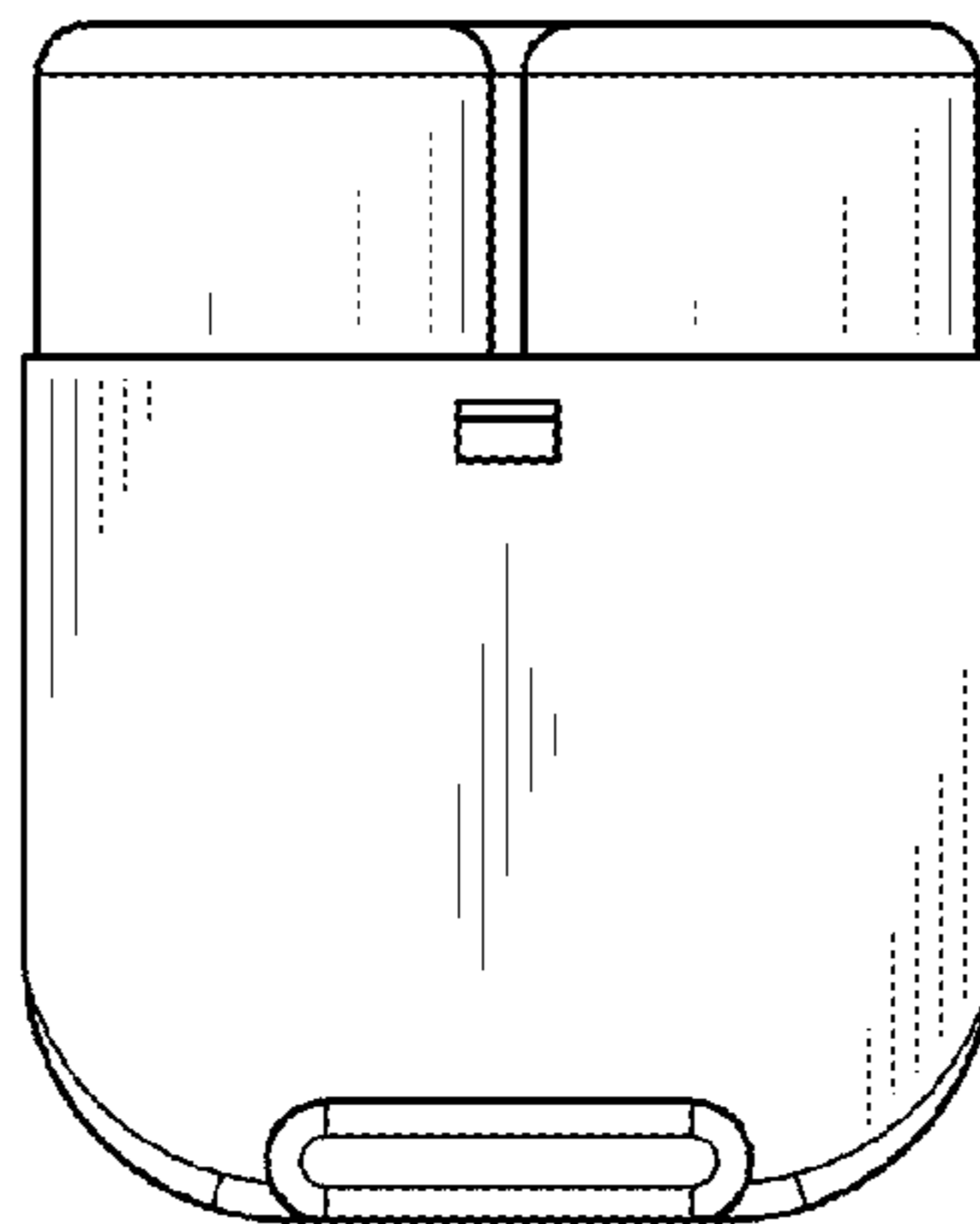


FIG. 3

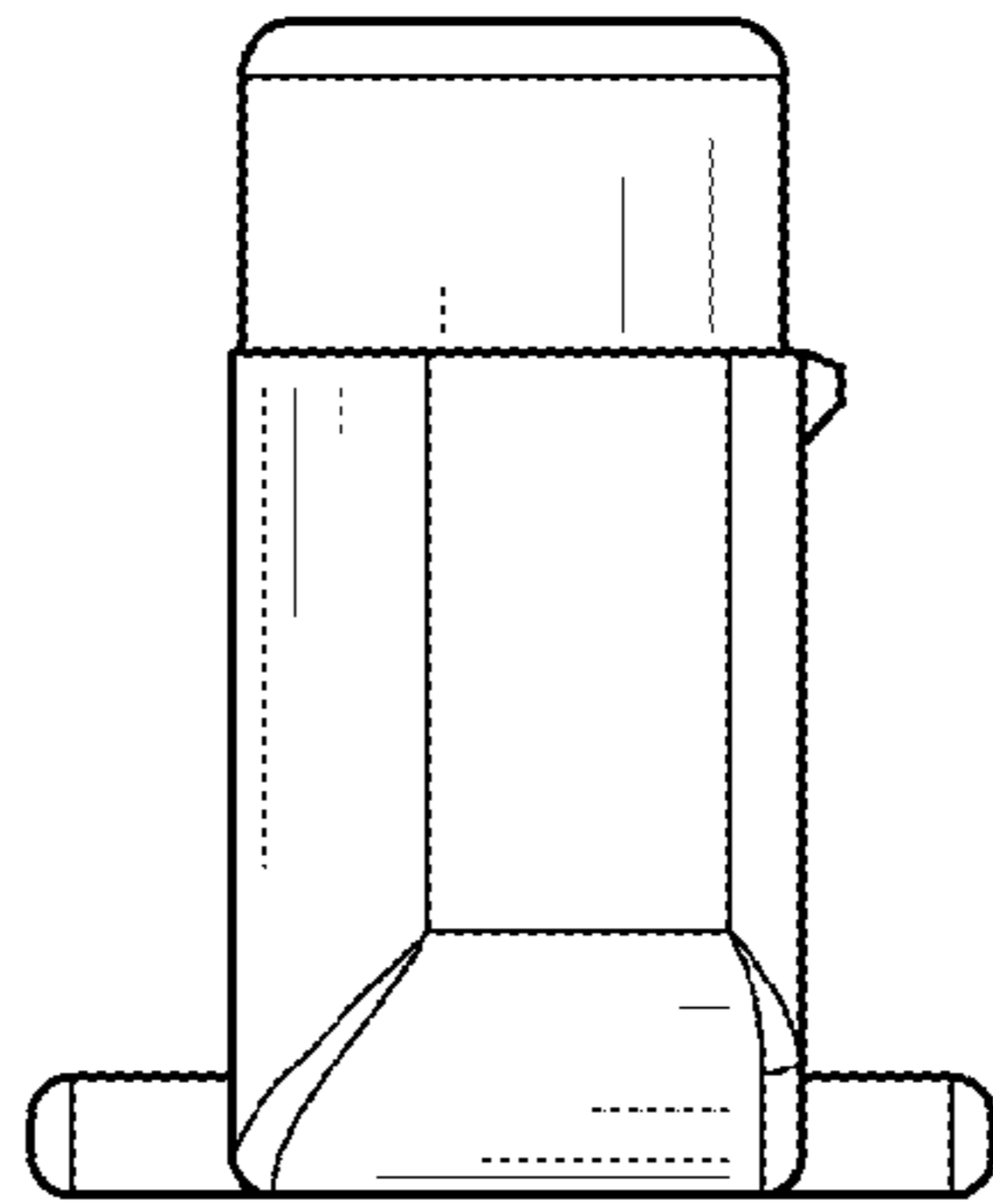


FIG. 4

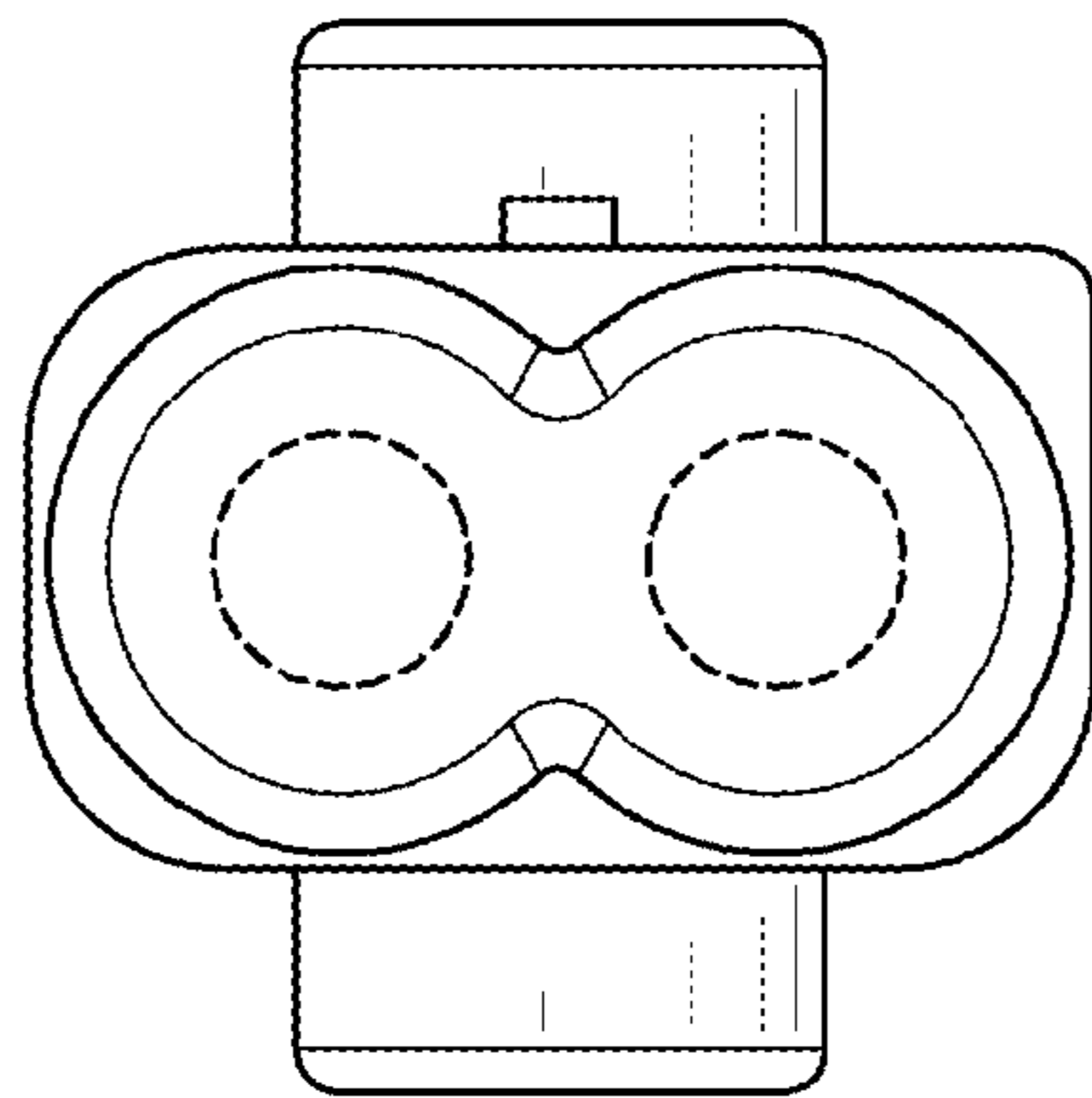


FIG. 5

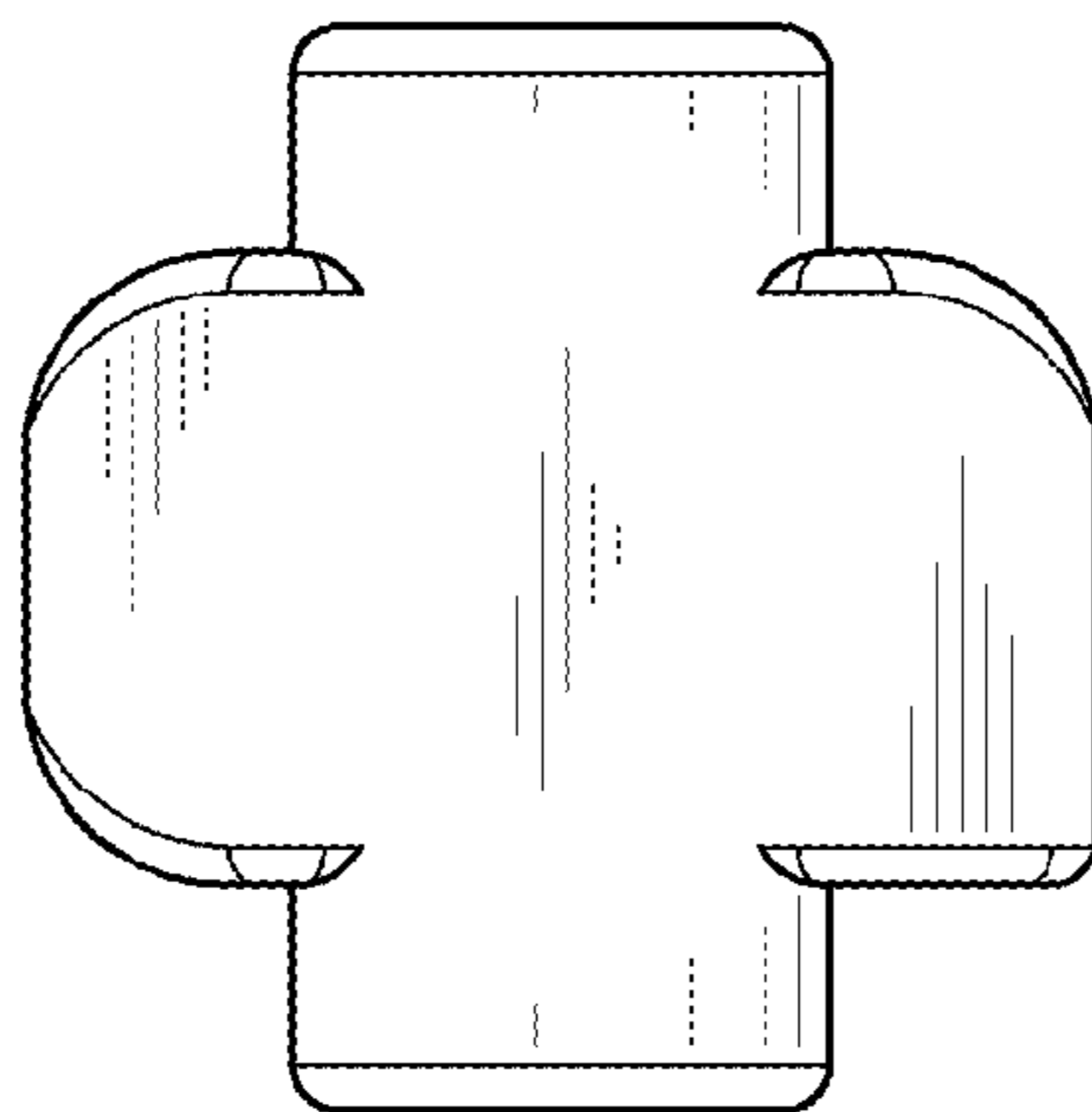


FIG. 6