



US00D748278S

(12) **United States Design Patent**
Jacobs

(10) **Patent No.:** **US D748,278 S**

(45) **Date of Patent:** **** Jan. 26, 2016**

- (54) **SCAR TREATMENT TOOL**
- (71) Applicant: **Joseph Jacobs**, Mission Viejo, CA (US)
- (72) Inventor: **Joseph Jacobs**, Mission Viejo, CA (US)
- (**) Term: **14 Years**
- (21) Appl. No.: **29/522,295**
- (22) Filed: **Mar. 30, 2015**
- (51) **LOC (10) Cl.** **28-03**
- (52) **U.S. Cl.**
USPC **D24/214**
- (58) **Field of Classification Search**
USPC D24/200, 211, 212, 213, 214, 215;
601/19, 27-32, 46, 49, 52, DIG. 12,
601/DIG. 14, DIG. 15, DIG. 16, DIG. 17, 48
CPC A61H 2201/0153; A61H 2201/0207;
A61H 2201/0263; A61H 2201/0111; A61H
2201/1253; A61H 2205/082; A61H 2205/085;
A61H 15/0085; A61H 19/00; A61H 19/30;
A61H 19/32; A61H 19/40; A61H 19/44;
A61H 19/50
See application file for complete search history.

D376,016 S *	11/1996	Chen	D24/214
D384,417 S *	9/1997	Zurbay	D24/200
D387,174 S *	12/1997	Gladieux, Jr.	D24/211
5,843,005 A *	12/1998	Chubinsky	A61H 7/003 601/135
D408,543 S *	4/1999	Back	D24/211
D437,642 S *	2/2001	Caballero	D24/133
D475,141 S *	5/2003	Shin	D24/214
D520,137 S *	5/2006	Melendez	D24/133
D548,850 S *	8/2007	Gladieux, III	D24/214
D607,116 S *	12/2009	Morganstern	D24/211
D637,728 S *	5/2011	Sevier	D24/211
D659,849 S *	5/2012	Galano	D24/225
D679,824 S *	4/2013	Forest	D24/214
D694,420 S *	11/2013	Cole	D24/215
8,834,516 B2 *	9/2014	Finkielsztein	A61B 17/12 606/201

* cited by examiner

Primary Examiner — Sandra Snapp

(74) *Attorney, Agent, or Firm* — Eric Karich; Karich & Associates

(57) **CLAIM**

The ornamental design for a “scar treatment tool,” as shown and described.

DESCRIPTION

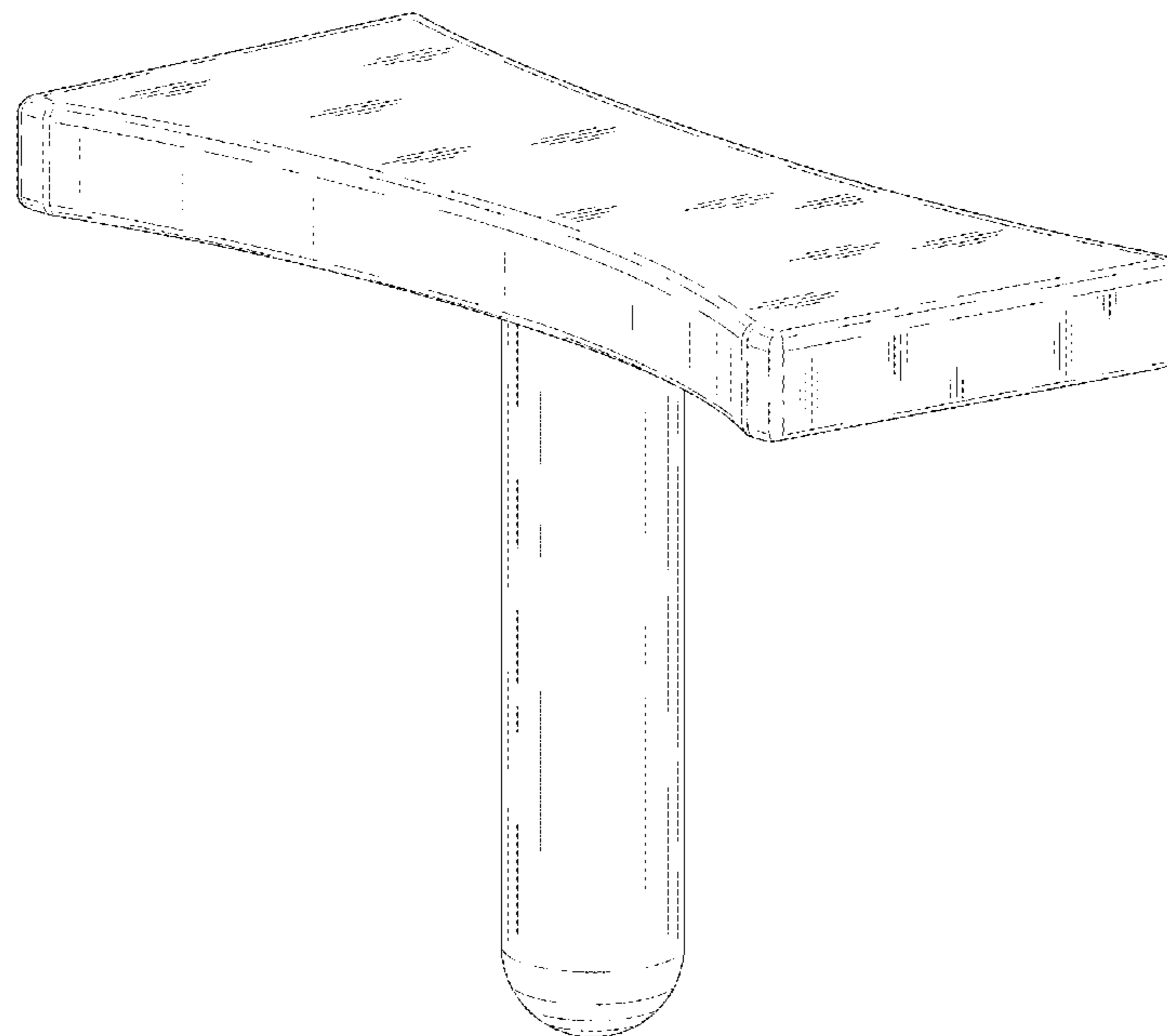
FIG. 1 is a perspective view of a scar treatment tool, showing my new design;
FIG. 2 is a front elevational view thereof;
FIG. 3 is a rear elevational view thereof;
FIG. 4 is a left side elevational view thereof
FIG. 5 is a right side elevational view thereof;
FIG. 6 is a top plan view thereof; and,
FIG. 7 is a bottom plan view thereof.

1 Claim, 5 Drawing Sheets

(56) **References Cited**

U.S. PATENT DOCUMENTS

2,450,935 A *	10/1948	Carr	A61H 7/003 601/136
3,335,725 A *	8/1967	Gordon	A61M 31/007 604/215
D277,983 S *	3/1985	Kaminski	D24/214
D282,949 S *	3/1986	Arve	D21/662
D285,116 S *	8/1986	Hoff	D24/214
D371,442 S *	7/1996	Semyonova	D24/214
D373,197 S *	8/1996	Schepper	D24/214



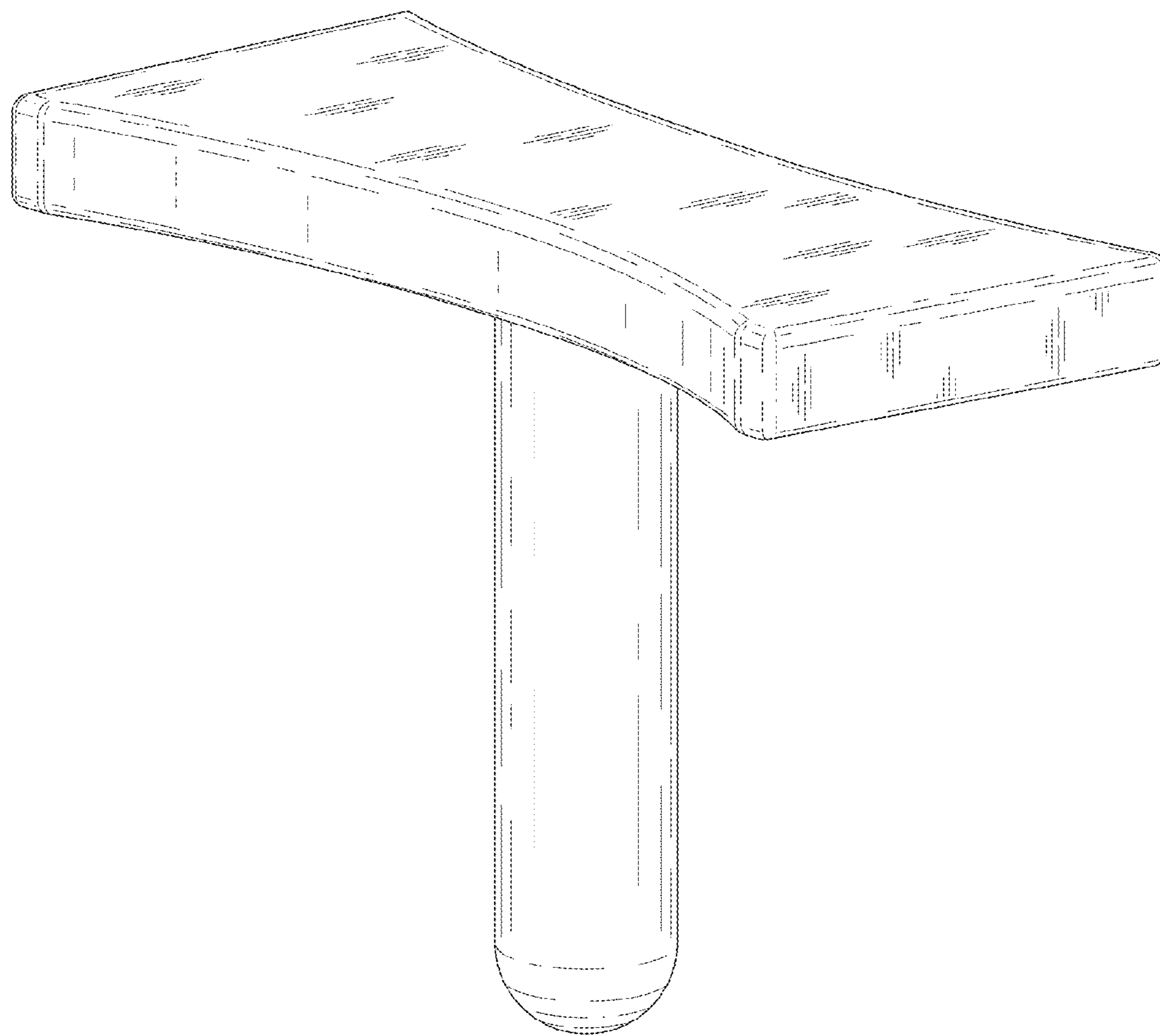


Fig. 1

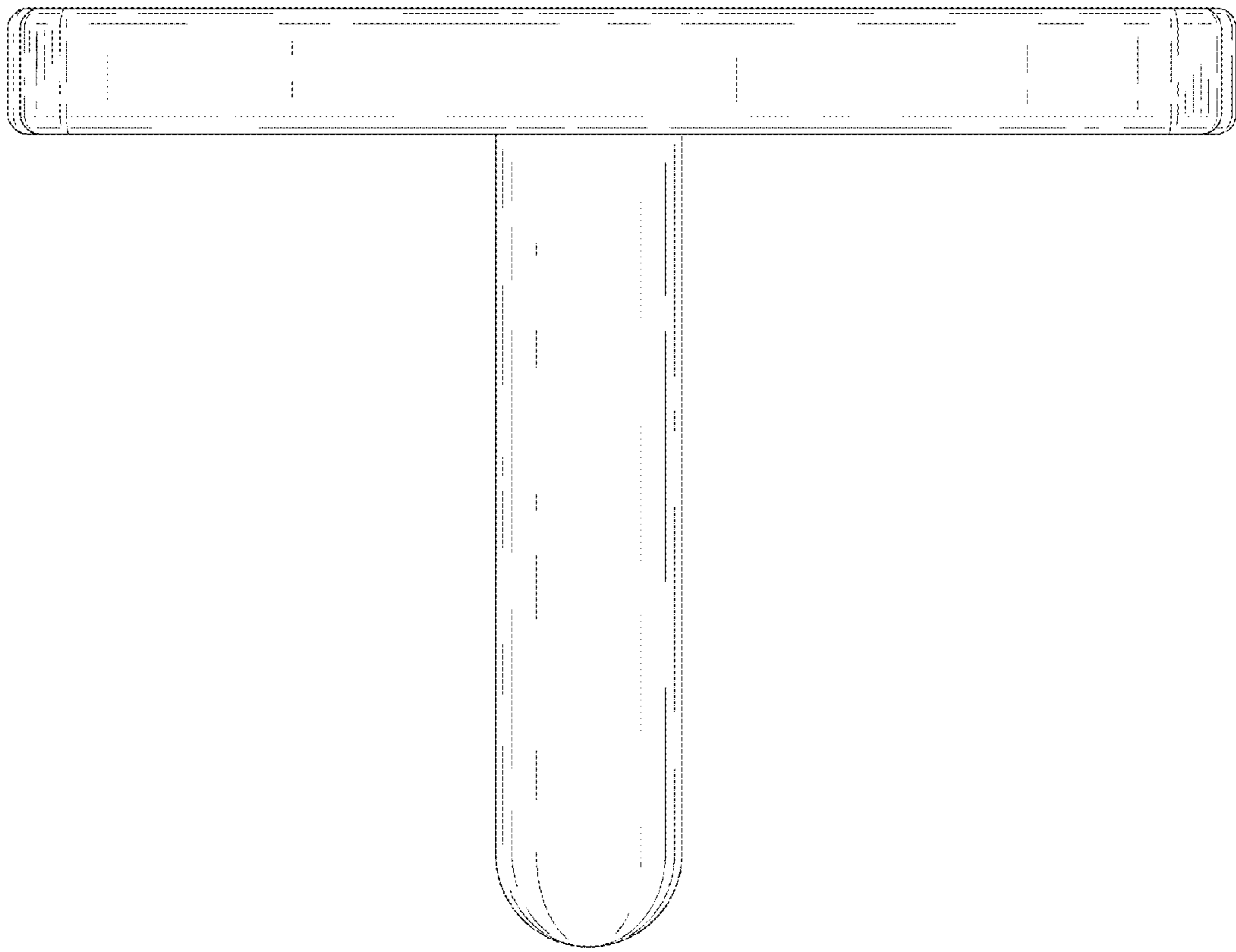


Fig. 2

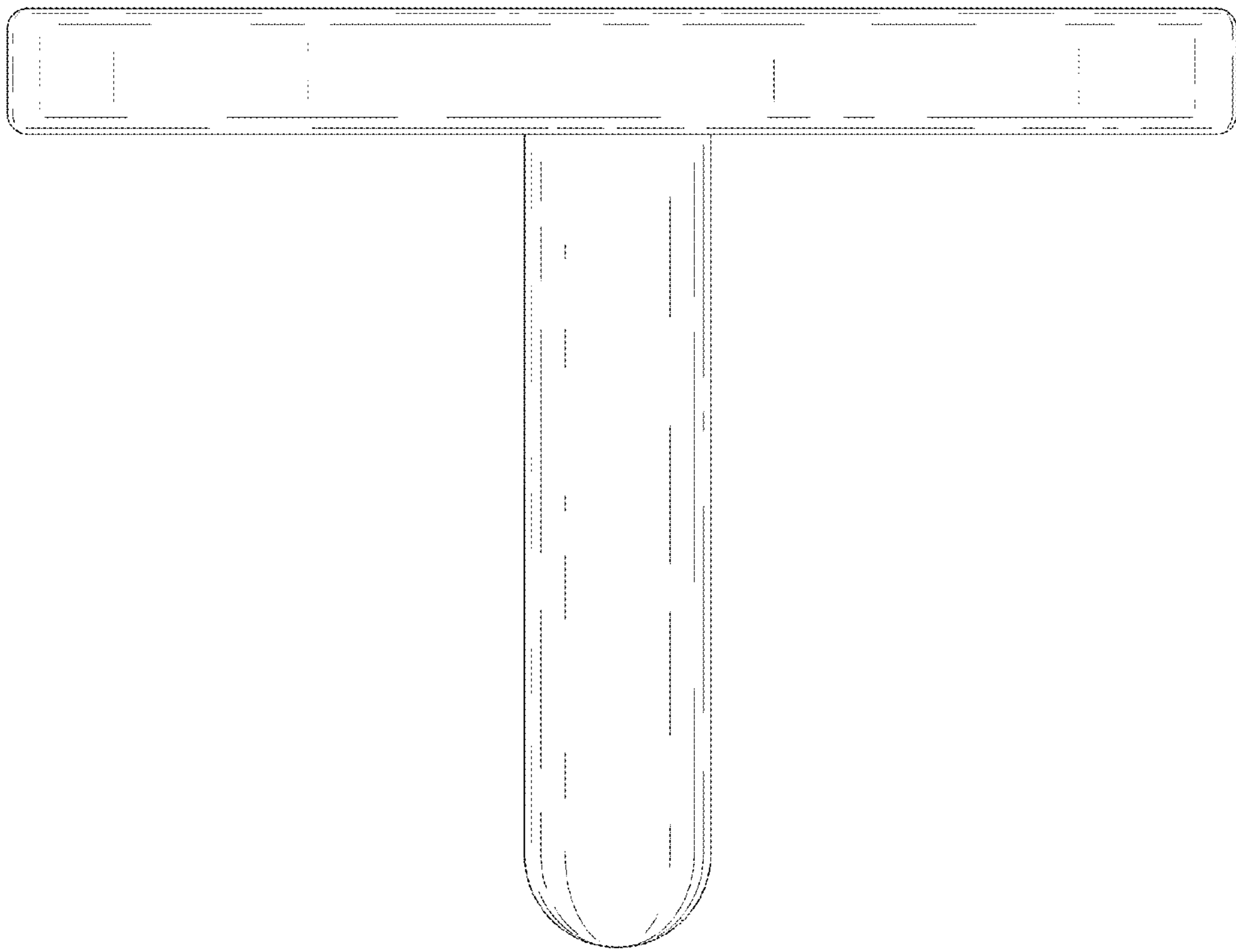


Fig. 3

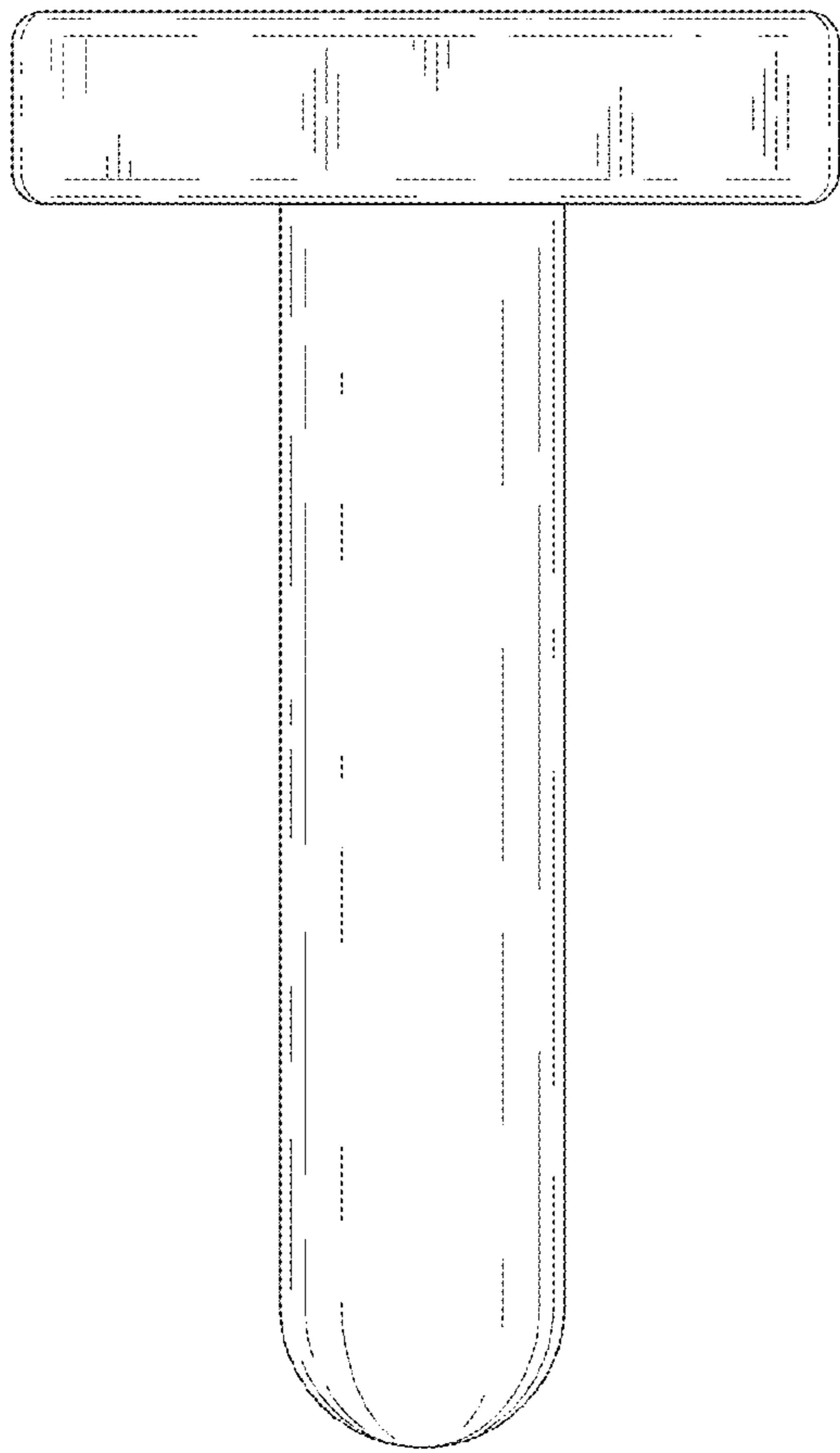


Fig. 4

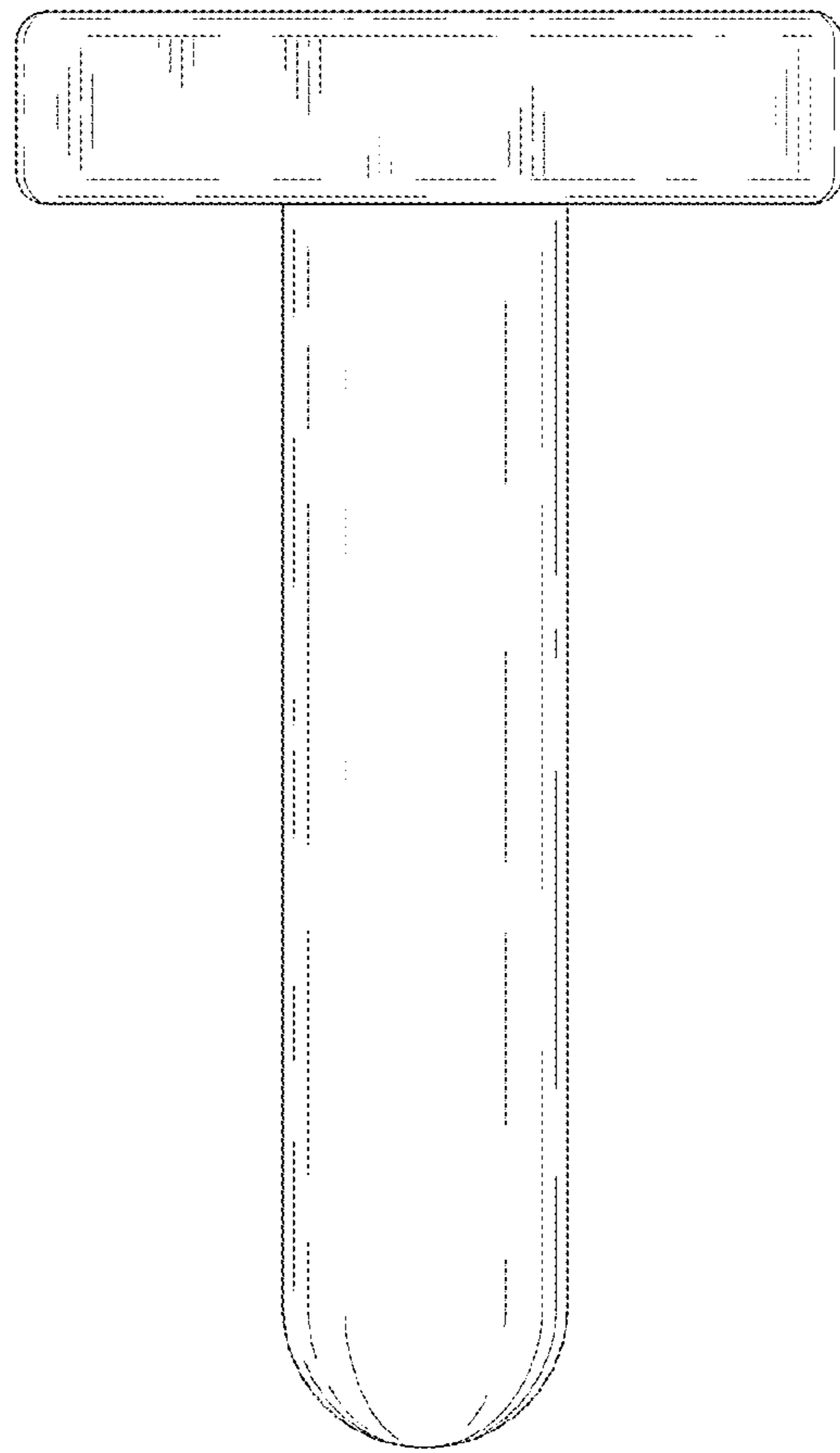


Fig. 5

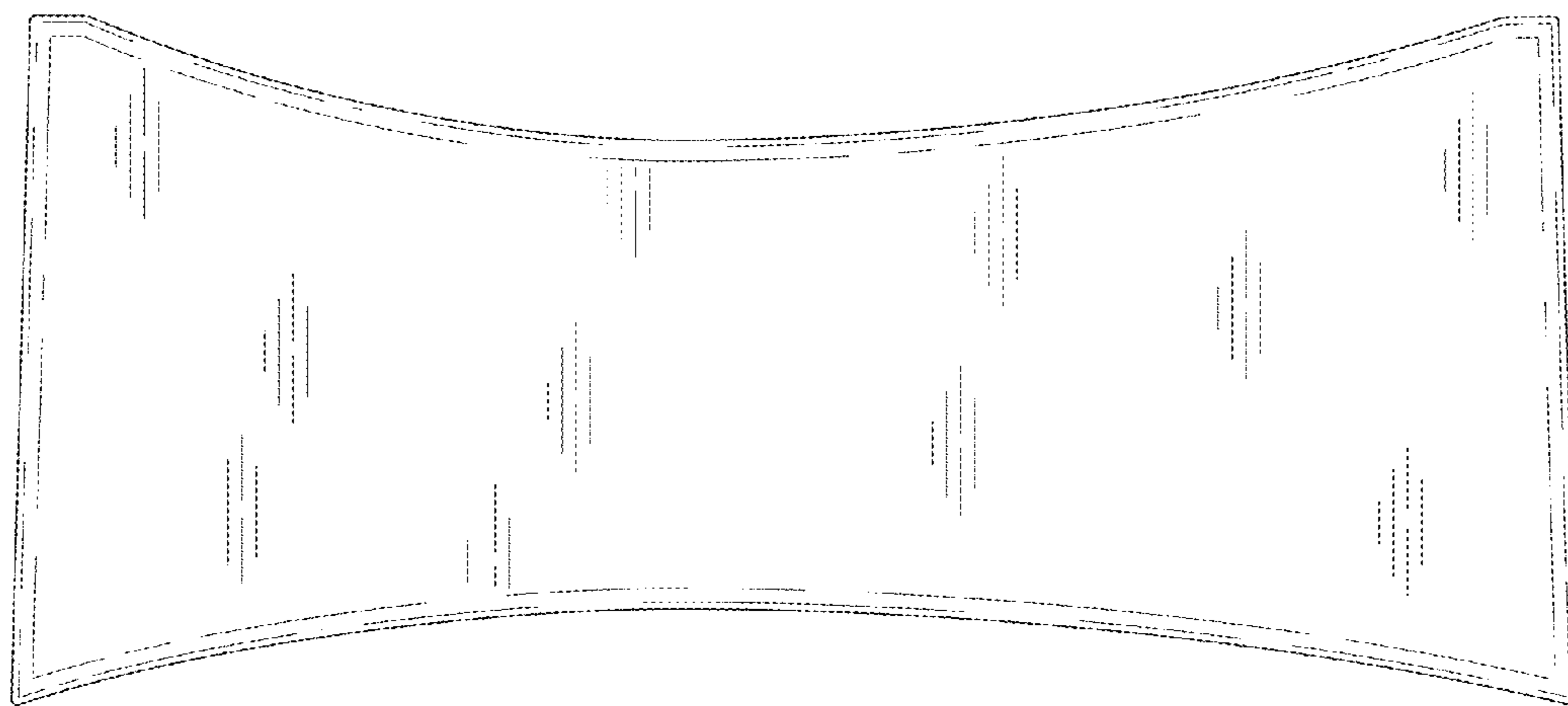


Fig. 6

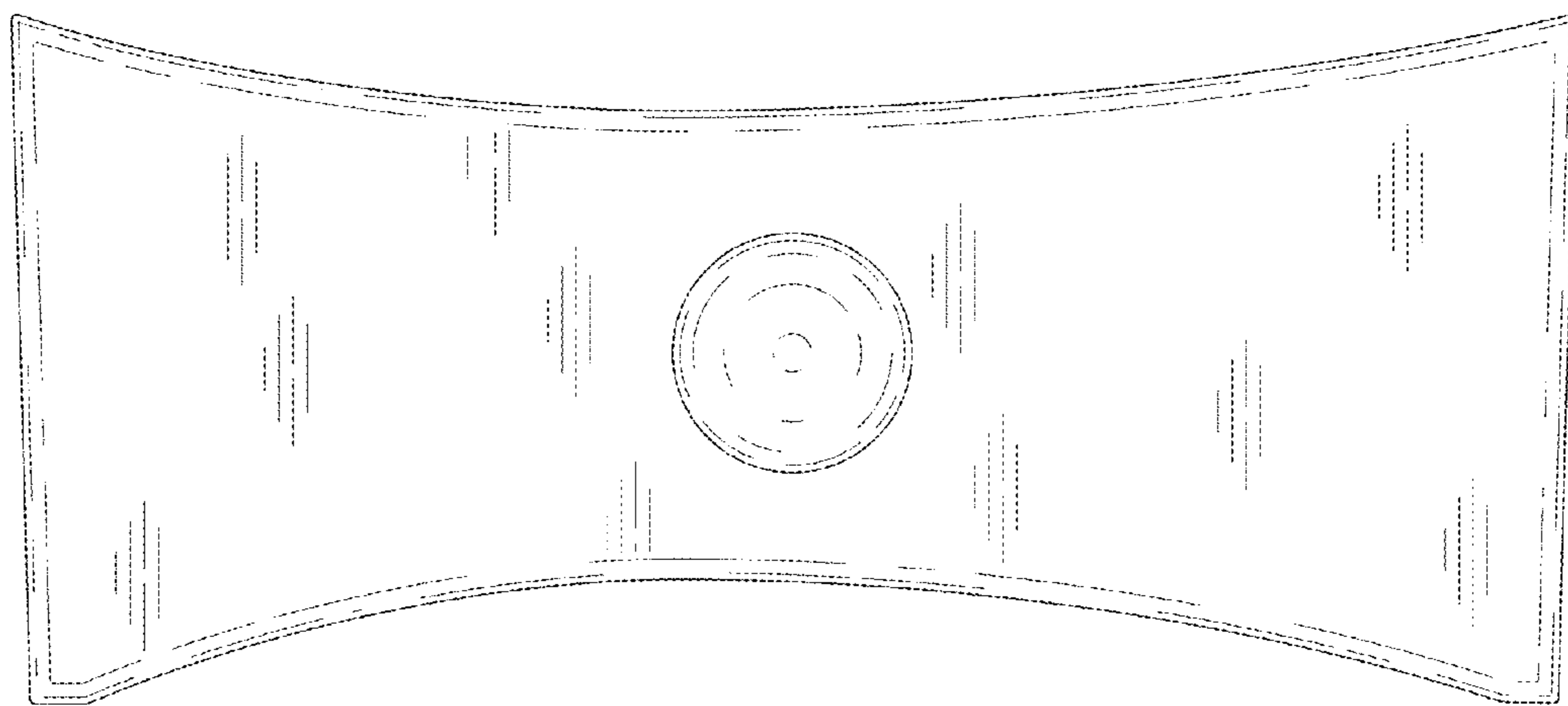


Fig. 7