



US00D748273S

(12) **United States Design Patent**
Chang et al.

(10) **Patent No.:** **US D748,273 S**
(45) **Date of Patent:** **** Jan. 26, 2016**

(54) **ACTIVITY MONITOR**

(71) Applicant: **Kabushiki Kaisha Toshiba**, Tokyo (JP)

(72) Inventors: **Shianwei Chang**, Kawasaki (JP);
Atsunobu Banryu, Funabashi (JP)

(73) Assignee: **KABUSHIKI KAISHA TOSHIBA**,
Tokyo (JP)

(**) Term: **14 Years**

(21) Appl. No.: **29/512,258**

(22) Filed: **Dec. 17, 2014**

(30) **Foreign Application Priority Data**

Jun. 18, 2014 (JP) 2014-013132

(51) **LOC (10) Cl.** **24-02**

(52) **U.S. Cl.**
USPC **D24/186**

(58) **Field of Classification Search**
USPC D24/165-168, 186, 187, 107, 200;
D10/70, 75, 97, 98; 600/301, 382-384,
600/386, 390, 483, 500-503, 508, 509,
600/513; 128/DIG. 15; D14/341, 344
CPC A61B 5/6803; A61B 5/681; A61B 5/6824;
A61B 5/6825; A61B 5/024; A61B 5/02405;
A61B 5/02438

See application file for complete search history.

(56) **References Cited**

U.S. PATENT DOCUMENTS

D557,423 S * 12/2007 Chen D24/187
D557,624 S * 12/2007 Coster D10/70

D631,552 S * 1/2011 Kasabach D24/186
D701,964 S * 4/2014 Yoneta D24/187
D726,567 S * 4/2015 De Jong D10/70
D733,888 S * 7/2015 Tuhkanen D24/167

FOREIGN PATENT DOCUMENTS

JP 1386493 S 5/2010
JP 1430842 S 1/2012

* cited by examiner

Primary Examiner — Anhdao Doan

(74) *Attorney, Agent, or Firm* — Venable, LLP; Stefan J. Kirchanski

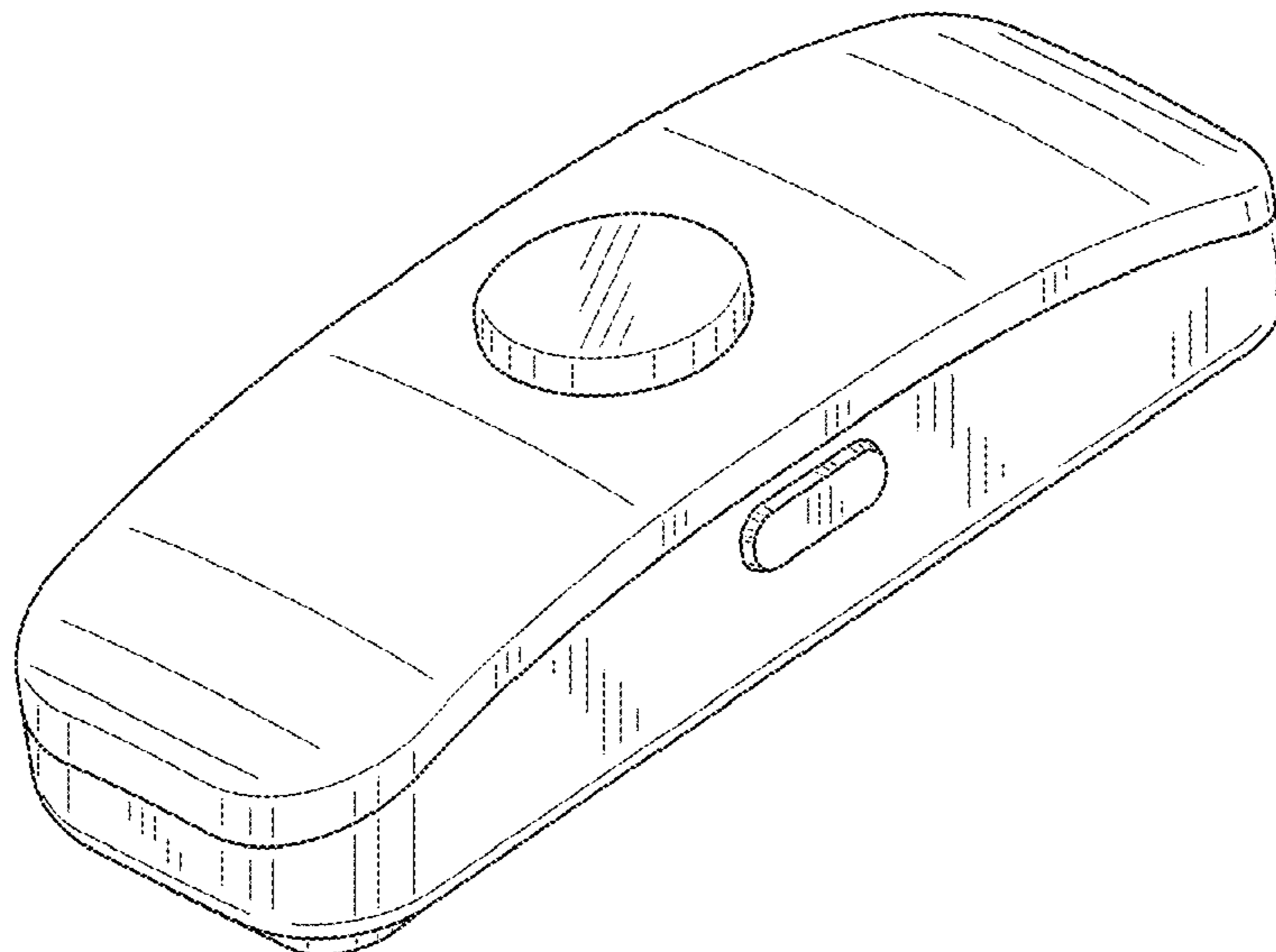
(57) **CLAIM**

The ornamental design for a activity monitor, as shown and described.

DESCRIPTION

FIG. 1 is a front, top and left side perspective view of a activity monitor, showing our new design;
FIG. 2 is a front view thereof;
FIG. 3 is a rear view thereof;
FIG. 4 is a left side view thereof;
FIG. 5 is a right side view thereof;
FIG. 6 is a top view thereof;
FIG. 7 is a bottom view thereof;
FIG. 8 is an enlarged cross sectional view thereof, taken along the line 8-8 in FIG. 5 with its internal mechanisms omitted; and,
FIG. 9 is an enlarged cross sectional view thereof, taken along the line 9-9 in FIG. 2 with its internal mechanisms omitted.
The broken lines in FIGS. 8 and 9 are included for the purpose of illustrating portions of the activity monitor that form no part of the claimed design.

1 Claim, 3 Drawing Sheets



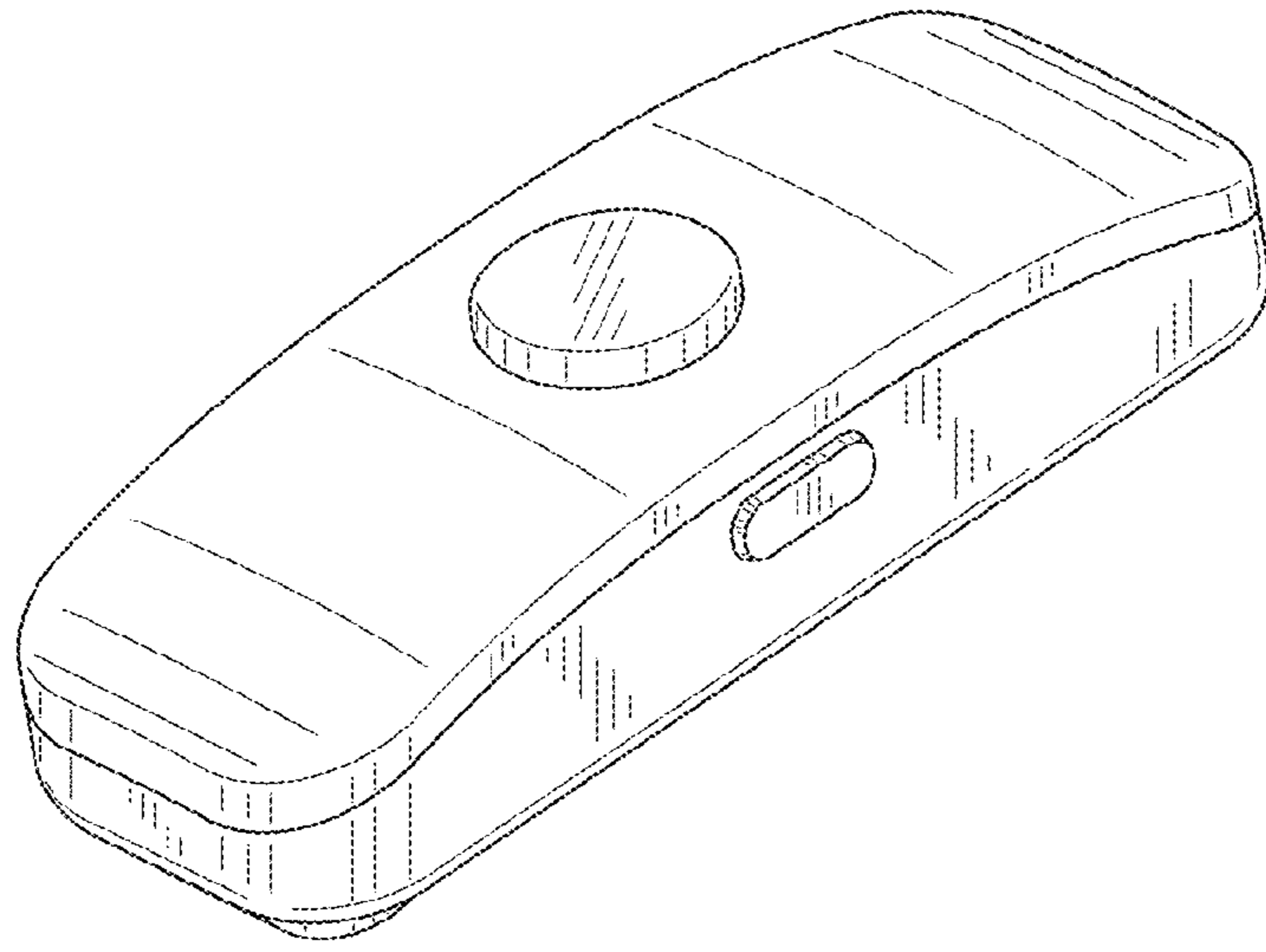


Fig. 1

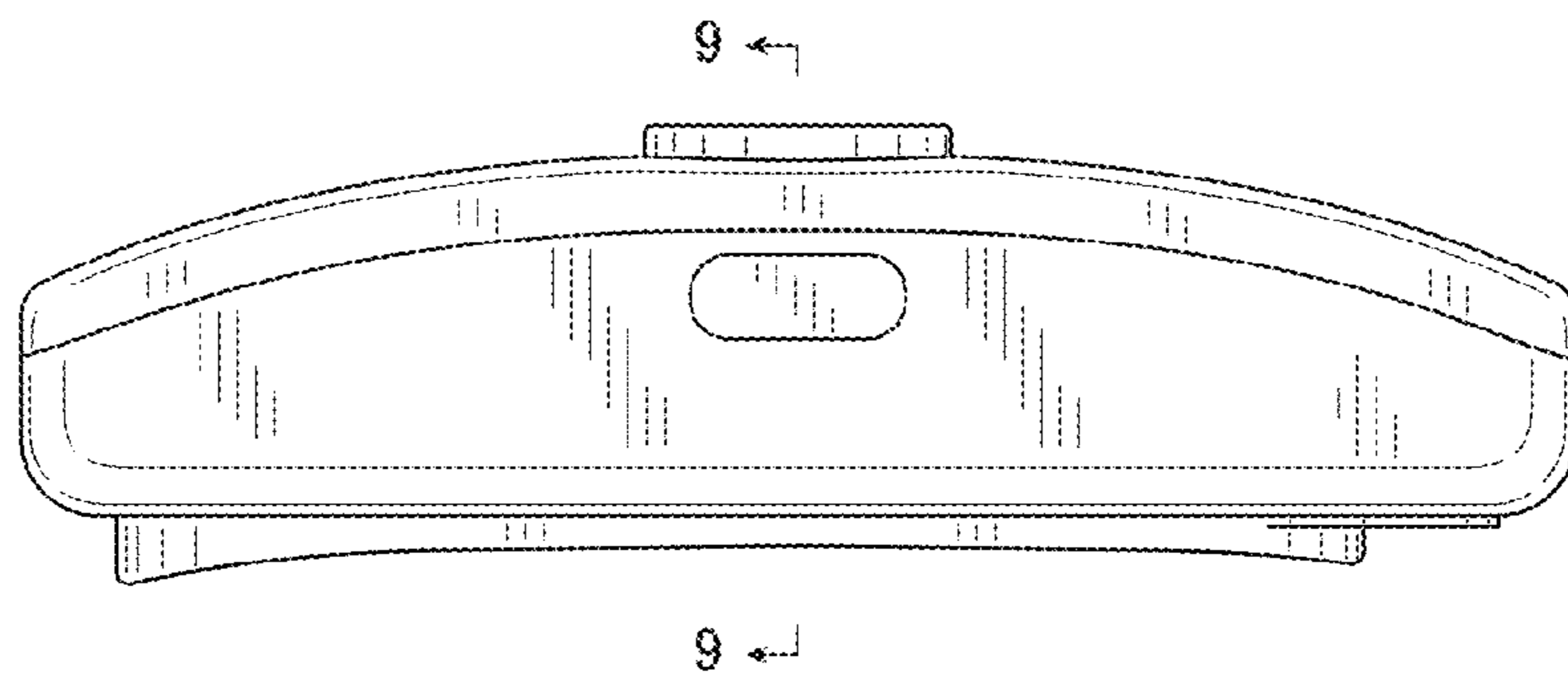


Fig. 2

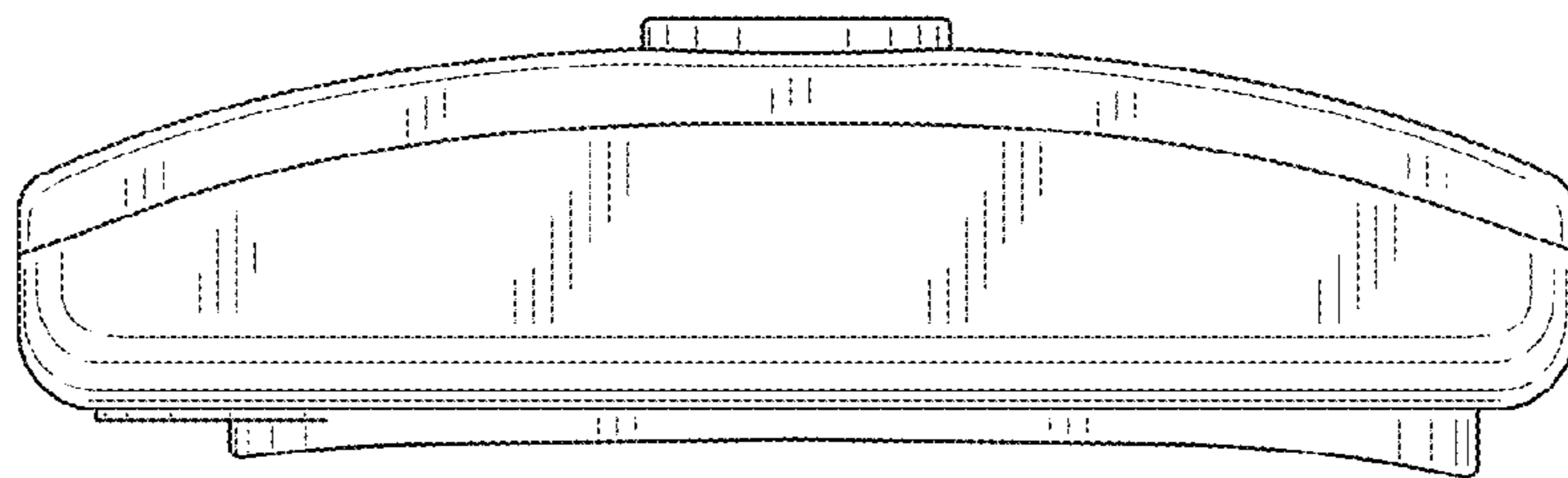


Fig. 3

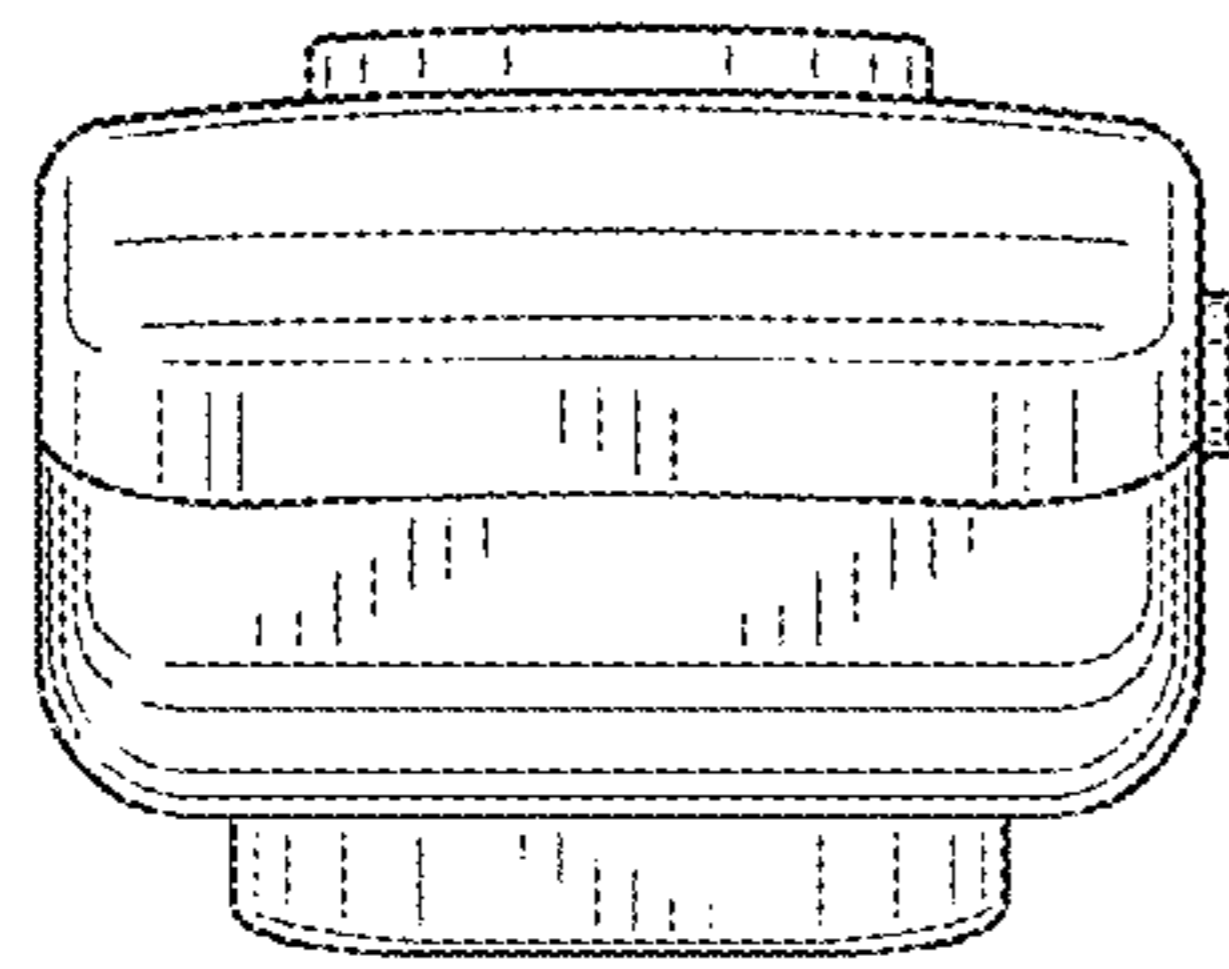


Fig. 4

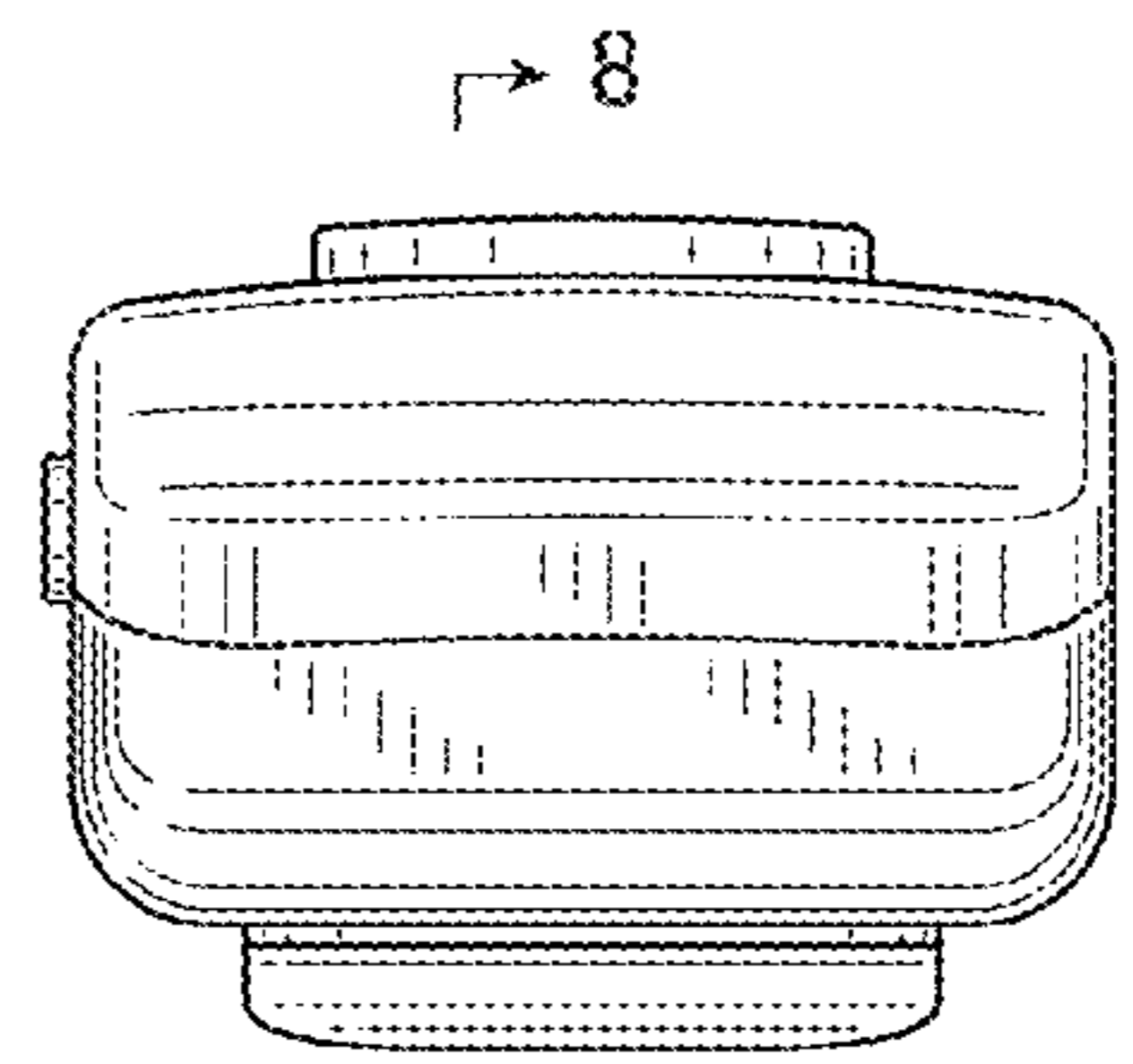


Fig. 5

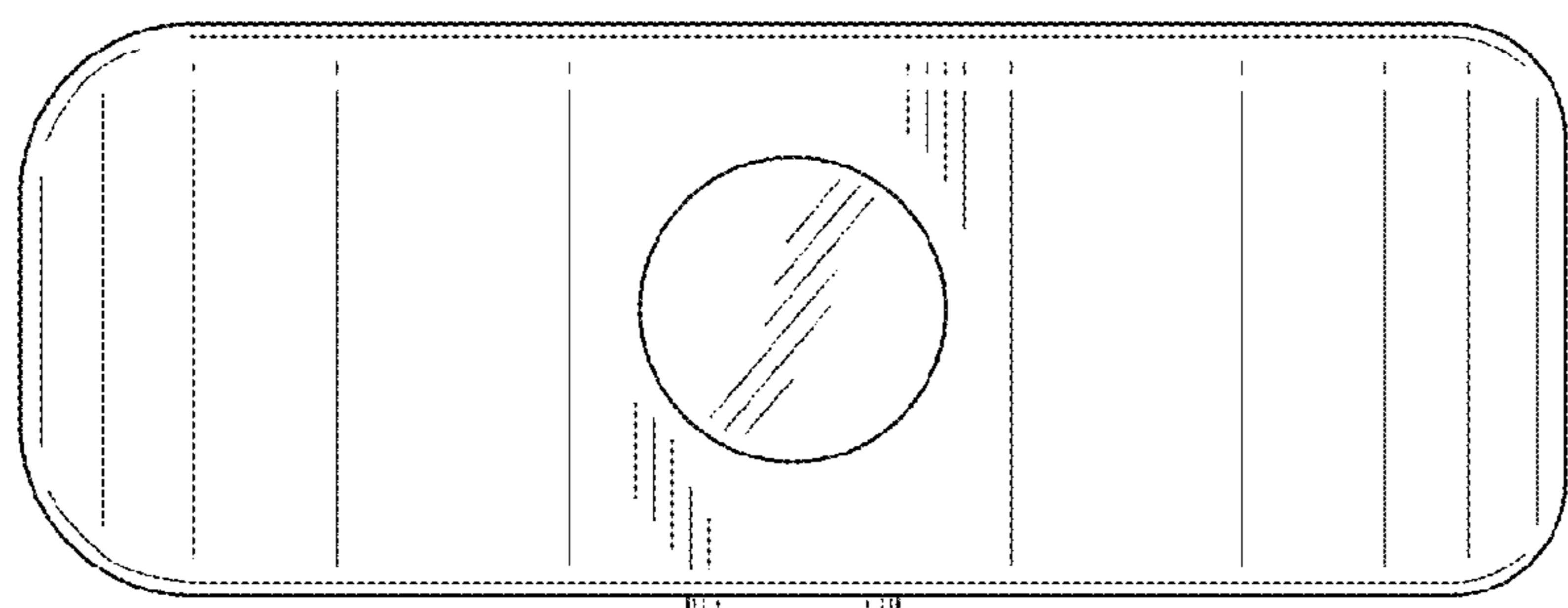


Fig. 6

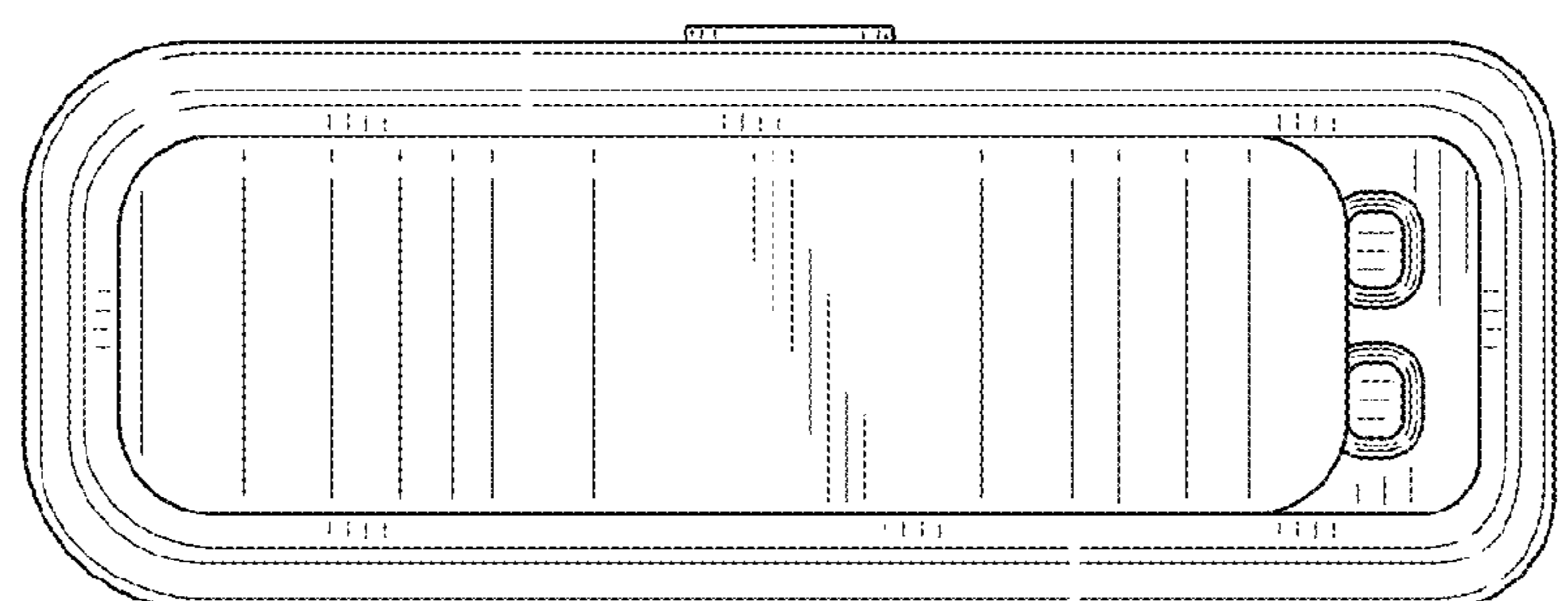


Fig. 7

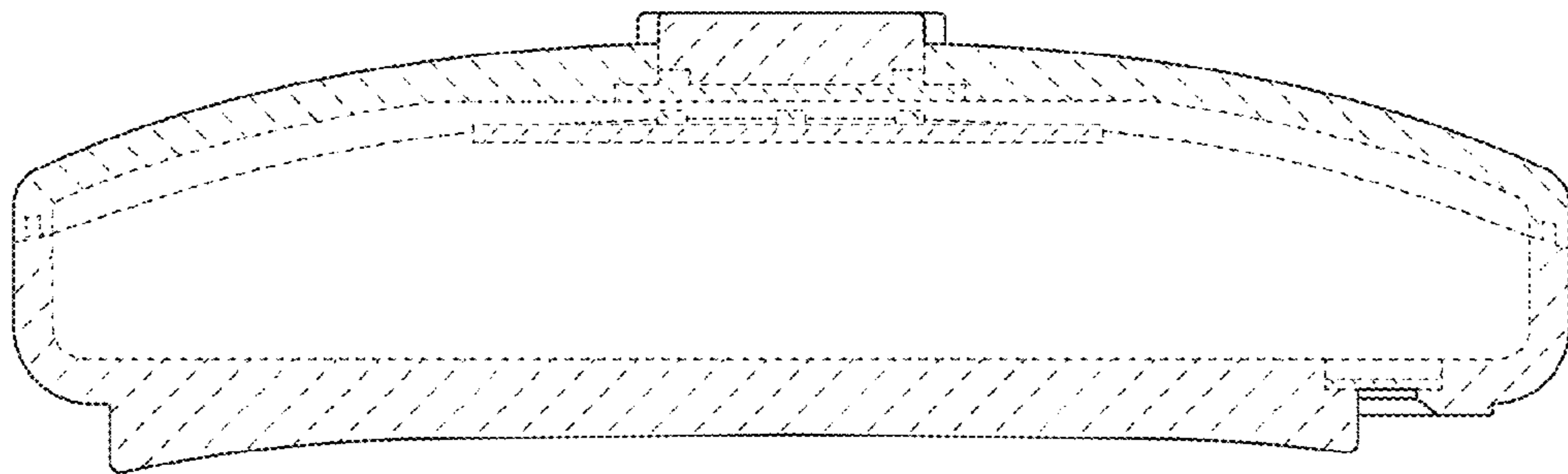


Fig. 8

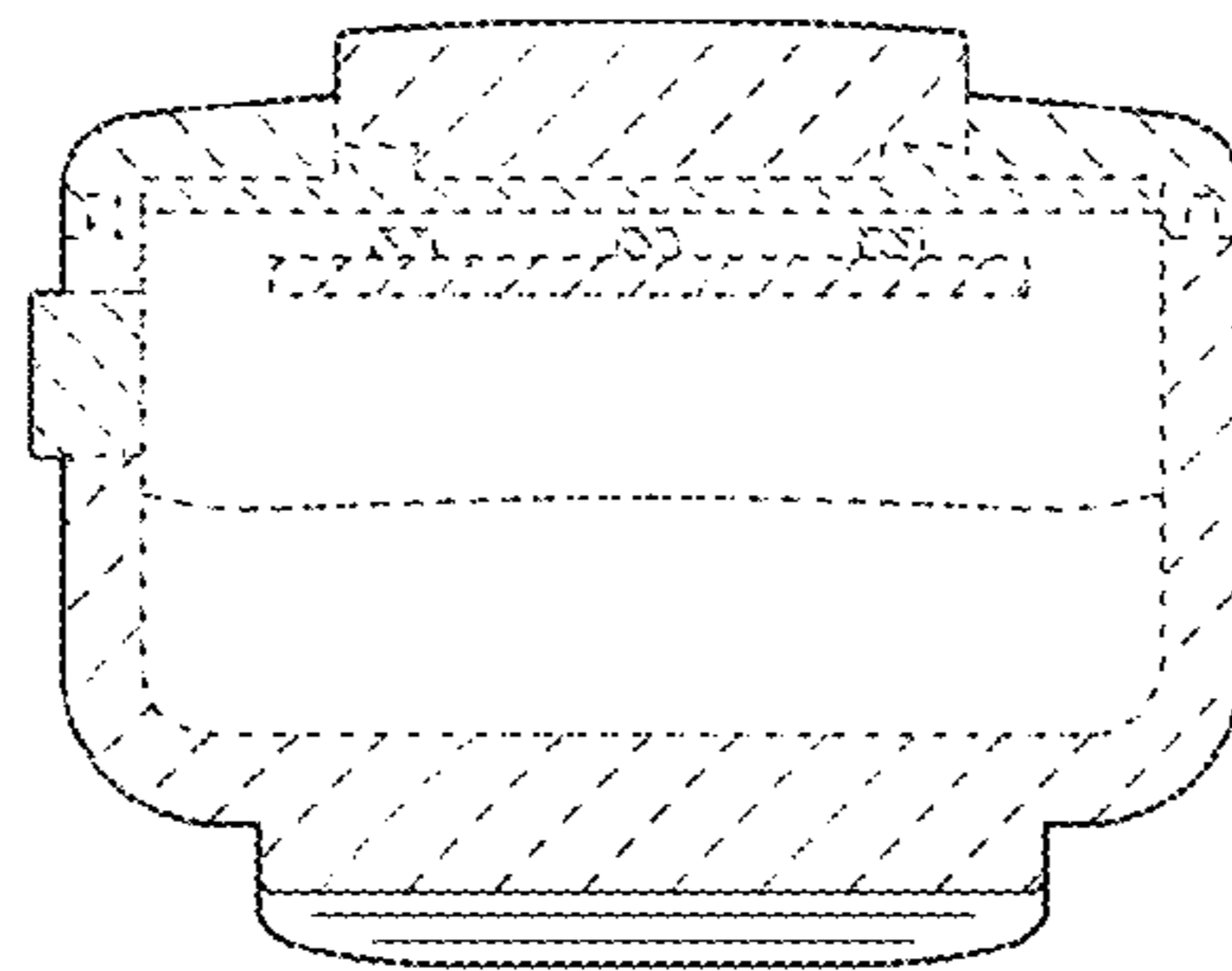


Fig. 9