



US00D748271S

(12) **United States Design Patent**
Clowry et al.

(10) **Patent No.:** **US D748,271 S**
(45) **Date of Patent:** **** Jan. 26, 2016**

(54) **MONITORING DEVICE**

Primary Examiner — Anhdao Doan
(74) *Attorney, Agent, or Firm* — Nixon & Vanderhye P.C.

(71) Applicant: **ResMed Sensor Technologies Limited**,
Dublin (IE)

(57) **CLAIM**
The ornamental design a monitoring device, as shown and described.

(72) Inventors: **Martin Clowry**, Myshall (IE); **Mark Doyle**, Dublin (IE); **Paul Phillips**, Donaghadee (GB); **Dominic Southgate**, Dublin (IE)

DESCRIPTION

(73) Assignee: **ResMed Sensor Technologies Limited**,
Dublin (IE)

FIG. 1 is a perspective view of a monitoring device showing an embodiment according to our new ornamental design; FIG. 2 is a front view thereof; FIG. 3 is a rear view thereof; FIG. 4 is a left side view thereof; FIG. 5 is a right side view thereof; FIG. 6 is a top view thereof; FIG. 7 is a bottom view thereof; FIG. 8 is another perspective view; FIG. 9 is a perspective view of a monitoring device showing an embodiment according to our new ornamental design; FIG. 10 is a front view thereof; FIG. 11 is a rear view thereof; FIG. 12 is a left side view thereof; FIG. 13 is a right side view thereof; FIG. 14 is a top view thereof; FIG. 15 is a bottom view thereof; FIG. 16 is another perspective view; FIG. 17 is a perspective view of a monitoring device showing an embodiment according to our new ornamental design; FIG. 18 is a front view thereof; FIG. 19 is a rear view thereof; FIG. 20 is a left side view thereof; FIG. 21 is a right side view thereof; FIG. 22 is a top view thereof; FIG. 23 is a bottom view thereof; FIG. 24 is another perspective view; FIG. 25 is a perspective view of a monitoring device showing an embodiment according to our new ornamental design; FIG. 26 is a front view thereof; FIG. 27 is a rear view thereof; FIG. 28 is a left side view thereof; FIG. 29 is a right side view thereof; FIG. 30 is a top view thereof; FIG. 31 is a bottom view thereof; and, FIG. 32 is another perspective view. The broken lines in the drawing views are included for the purpose of illustrating portions of the monitoring device that form no part of the claimed design. The use of stippling and shading in FIGS. 1-16 is intended to denote different materials.

(**) Term: **14 Years**

(21) Appl. No.: **29/500,227**

(22) Filed: **Aug. 22, 2014**

(51) **LOC (10) Cl.** **24-02**

(52) **U.S. Cl.**
USPC **D24/186**

(58) **Field of Classification Search**
USPC D24/165-168, 186, 187, 107, 200;
D10/70, 75, 97, 98; 600/301, 382-384,
600/386, 390, 483, 500-503, 508, 509, 513
CPC A61B 5/4809; A61B 5/4812
See application file for complete search history.

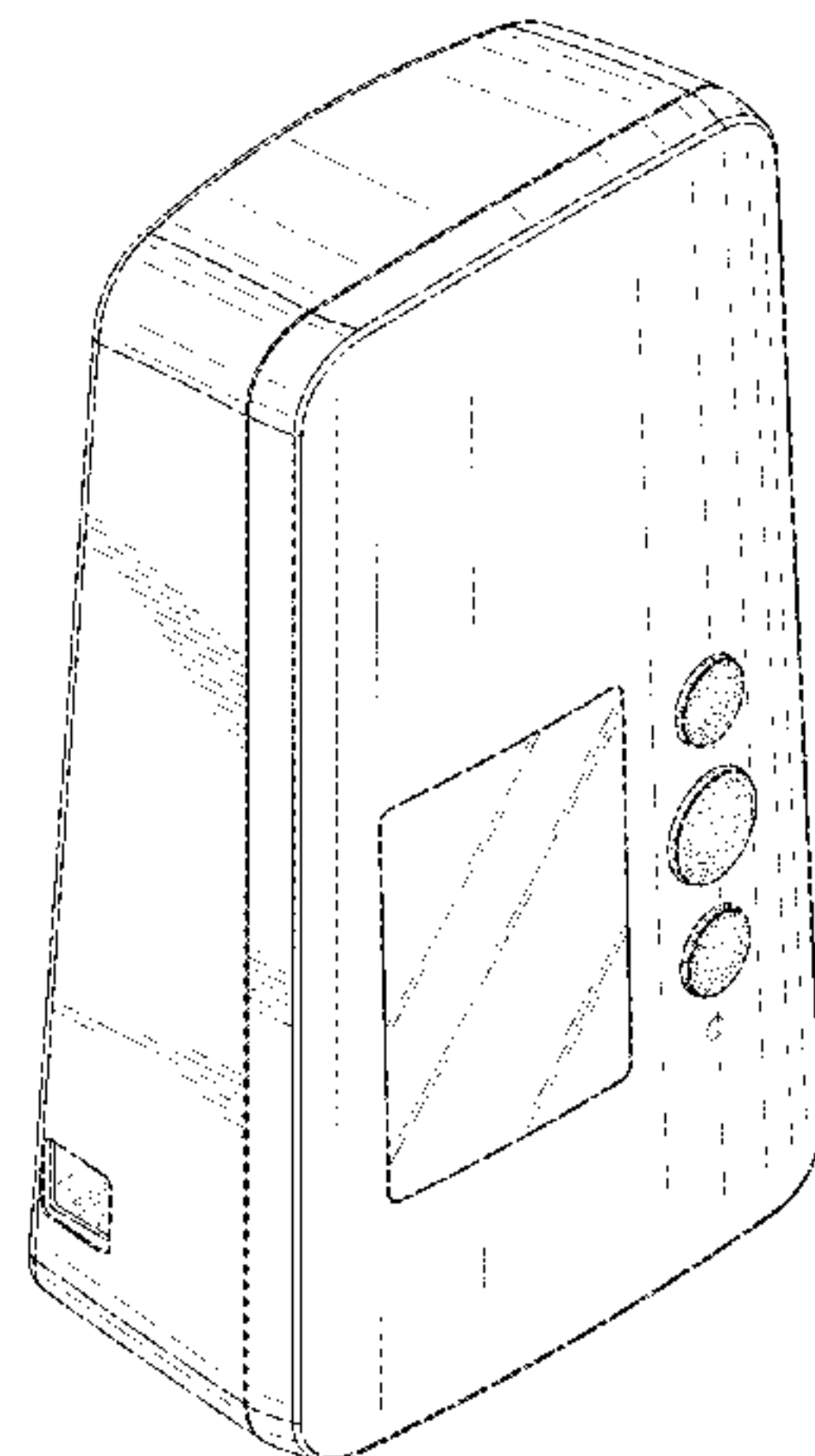
(56) **References Cited**

U.S. PATENT DOCUMENTS

D443,931 S *	6/2001	Davey	D24/186
D598,551 S *	8/2009	Miwa	D24/186
D700,343 S *	2/2014	Liu	D24/186
D707,827 S *	6/2014	Tseng	D24/186
2013/0310662 A1 *	11/2013	Tsutsumi	A61B 5/4812
				600/301
2014/0088373 A1 *	3/2014	Phillips	A61B 5/113
				600/301

* cited by examiner

1 Claim, 28 Drawing Sheets



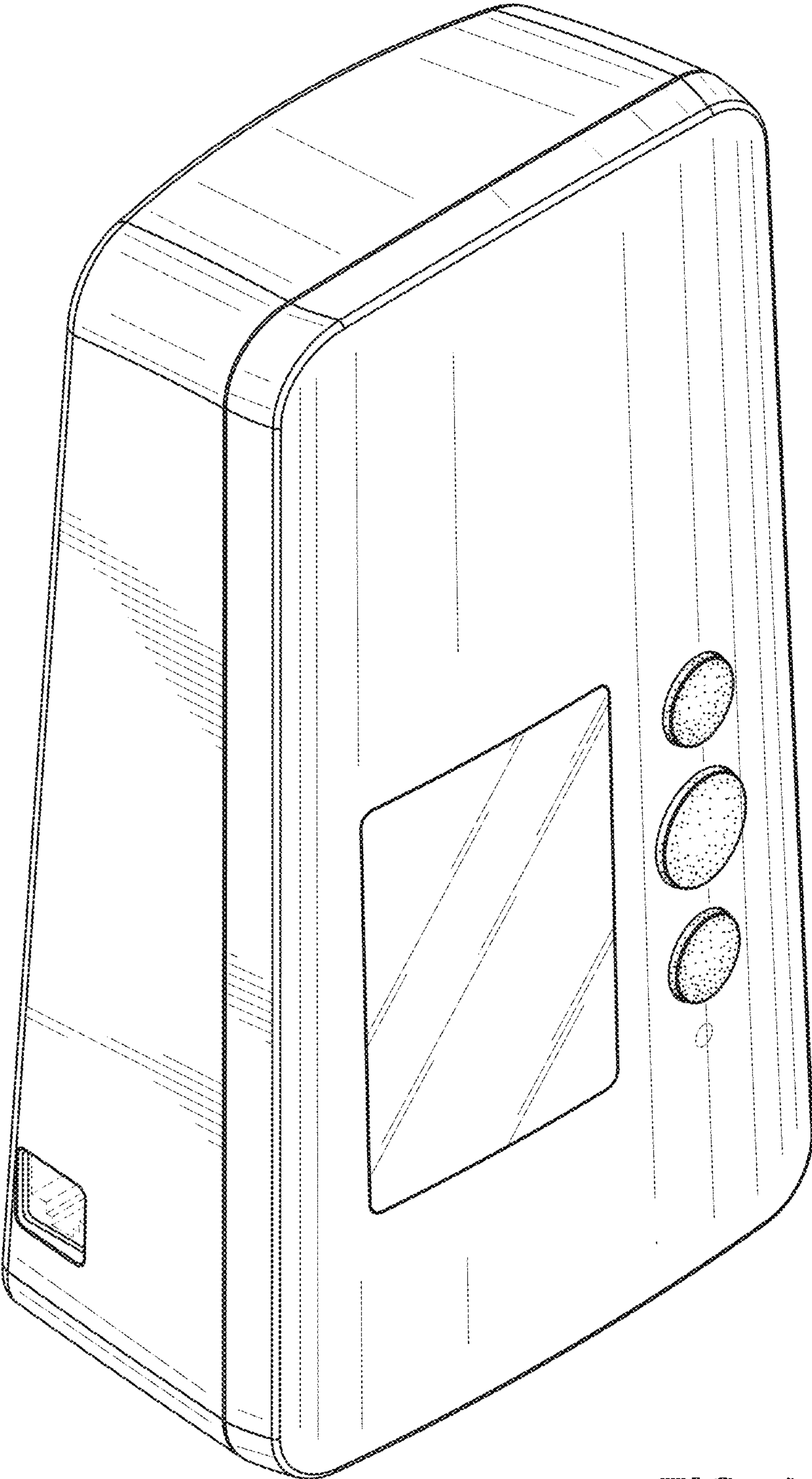


FIG. 1

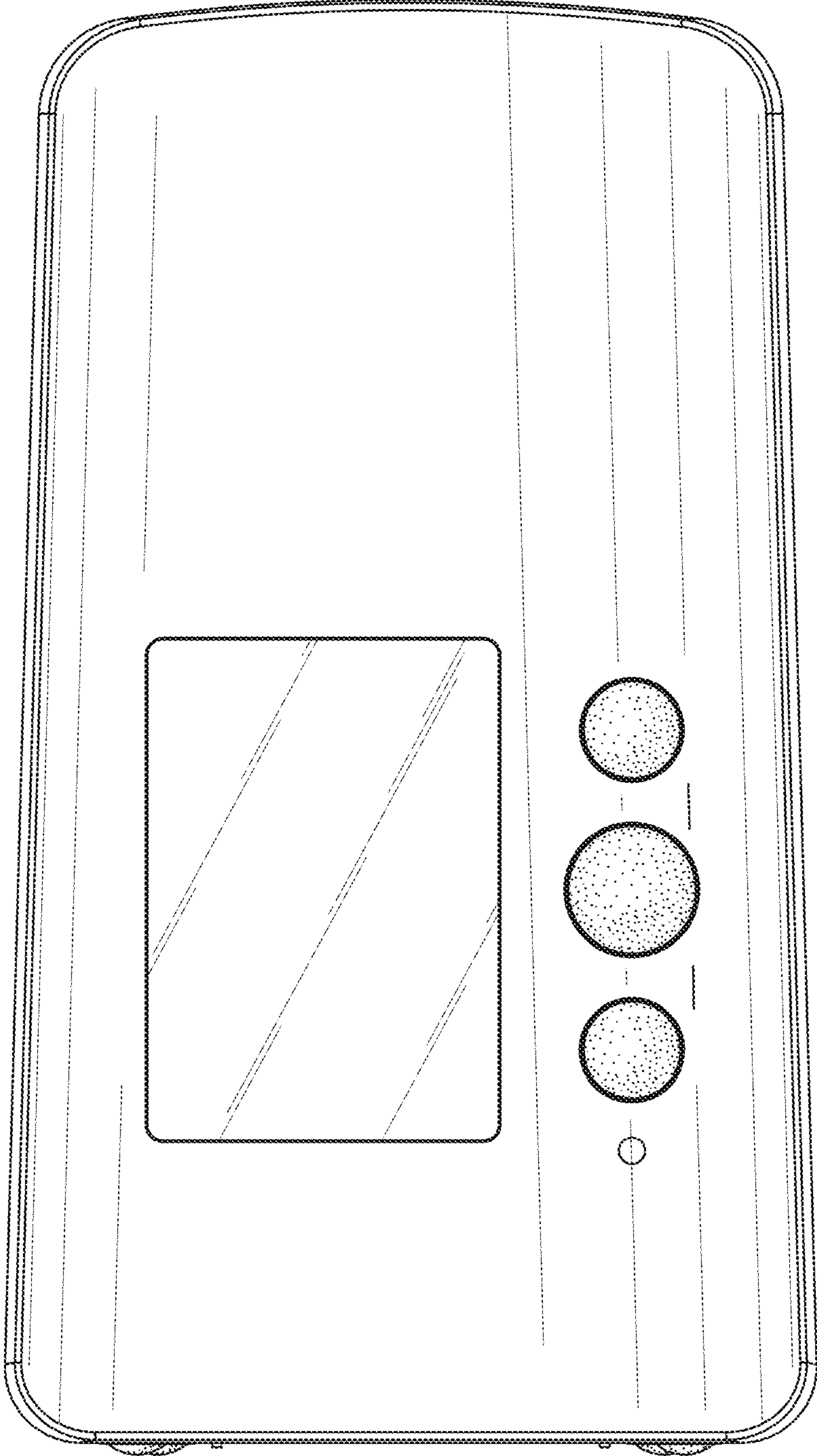


FIG. 2

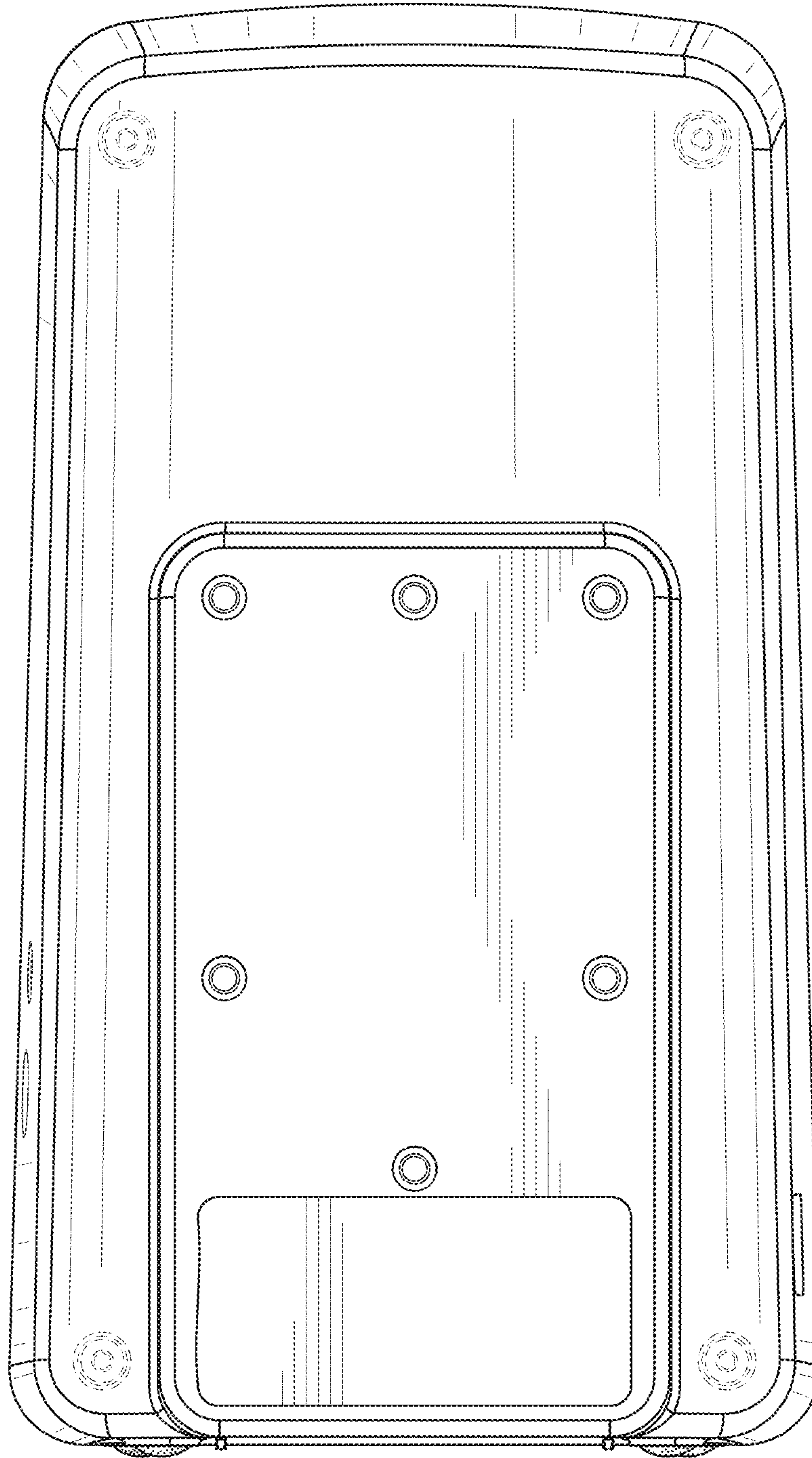


FIG. 3

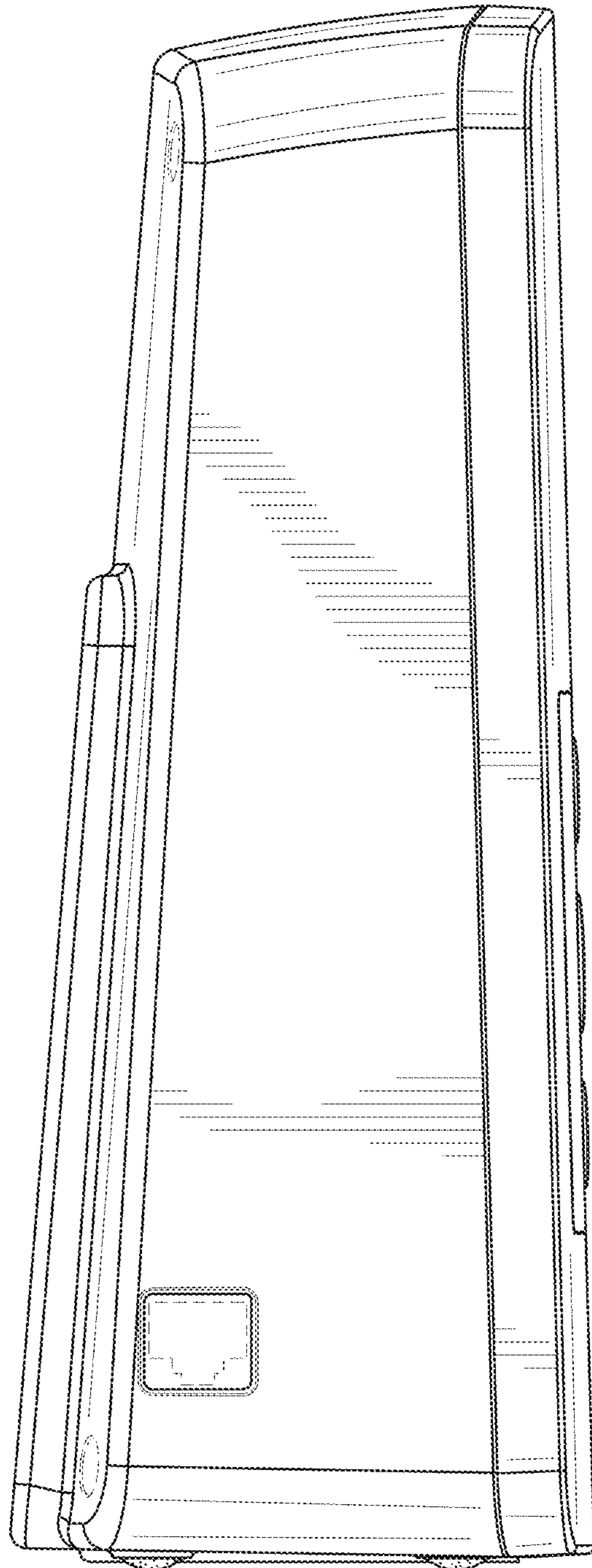


FIG. 4

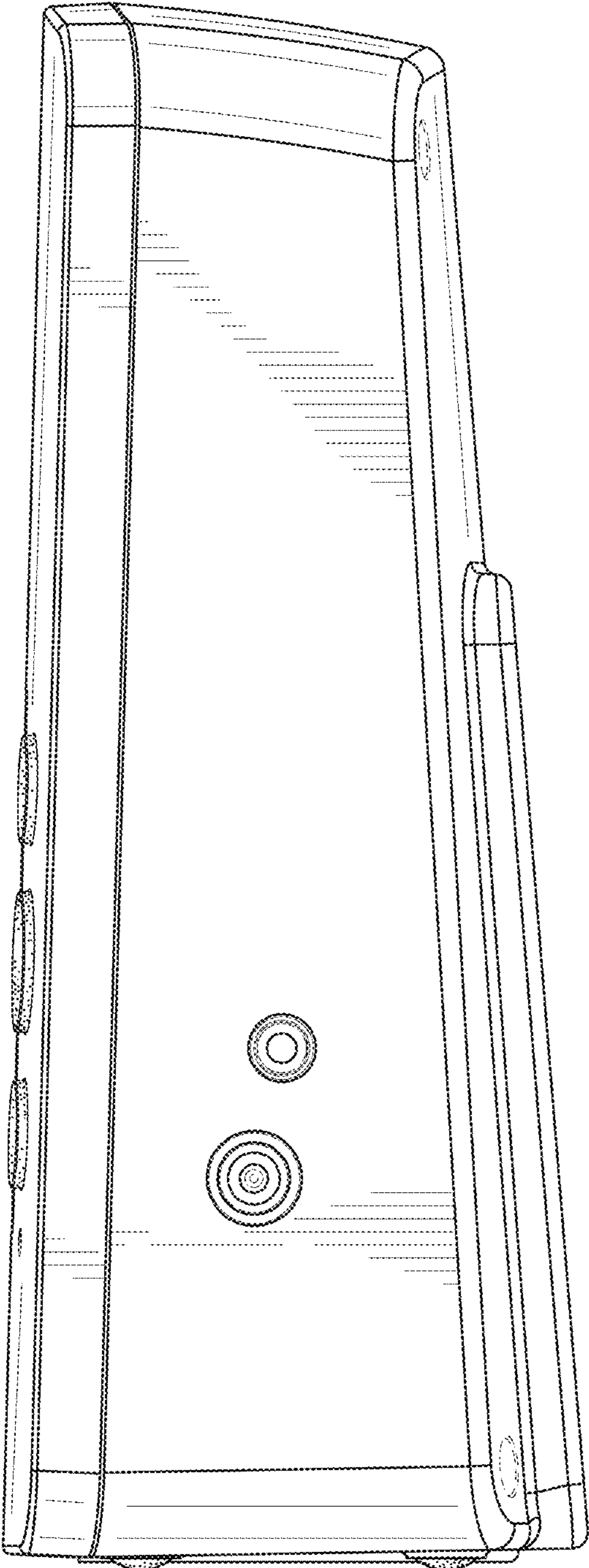


FIG. 5

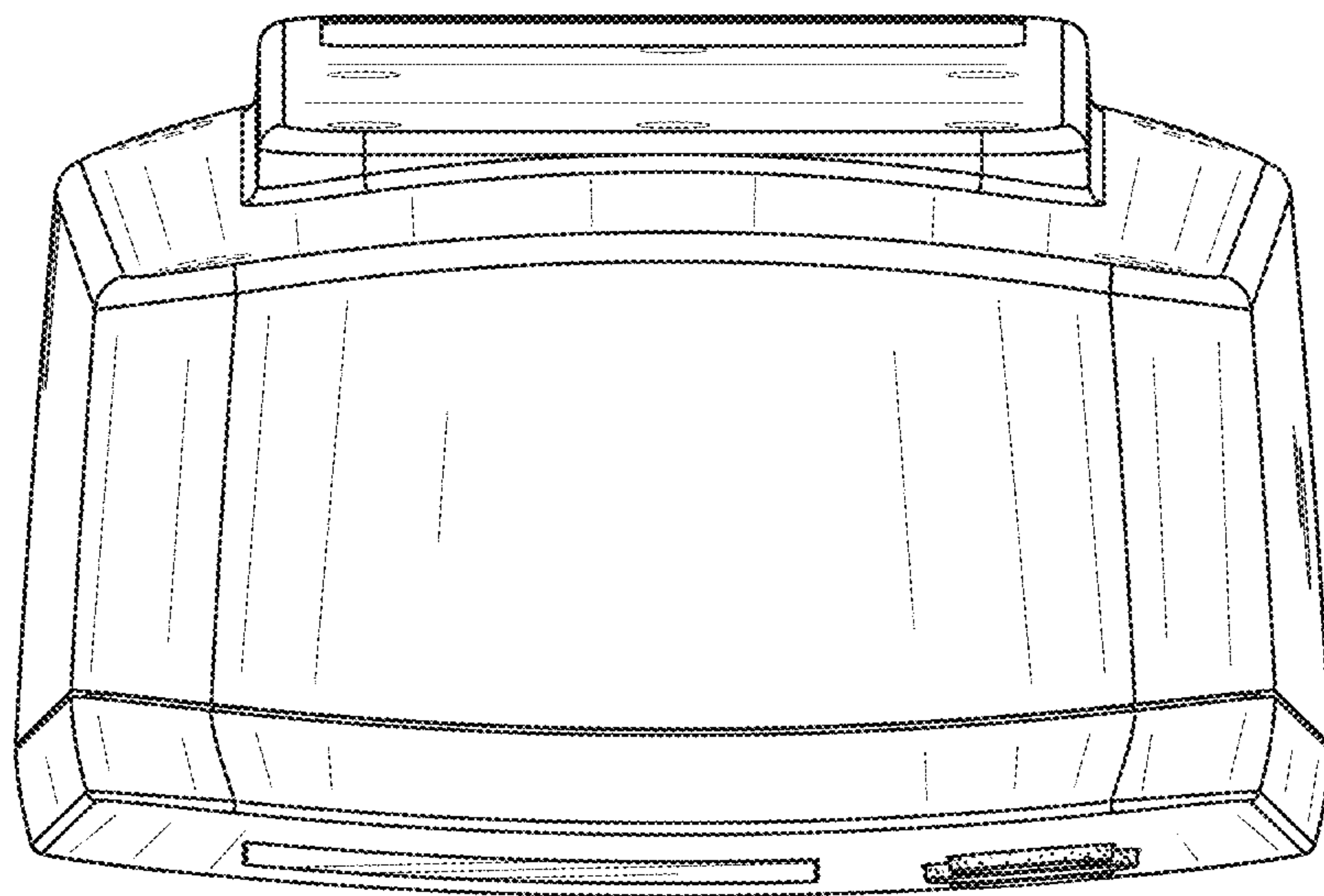


FIG. 6

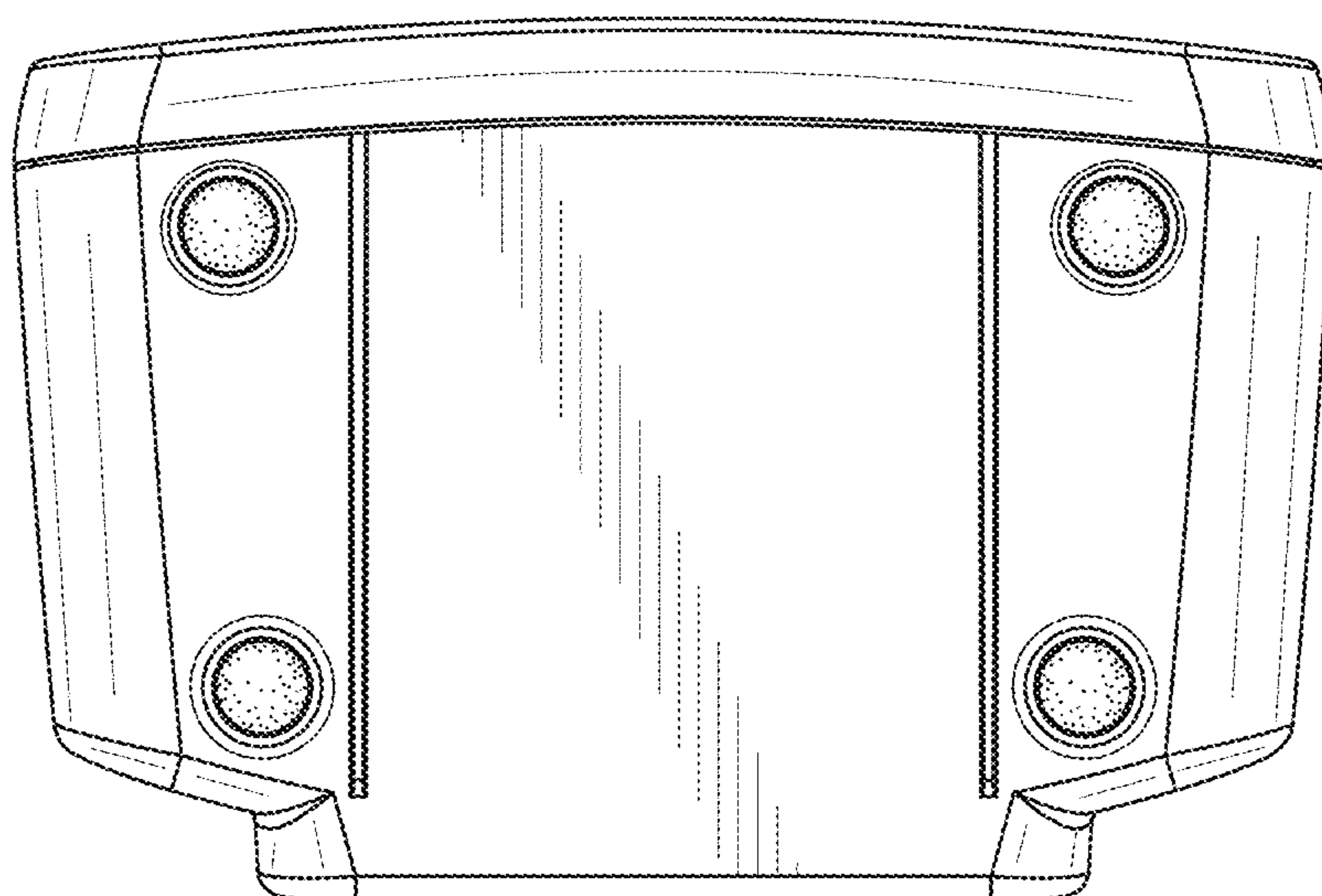


FIG. 7

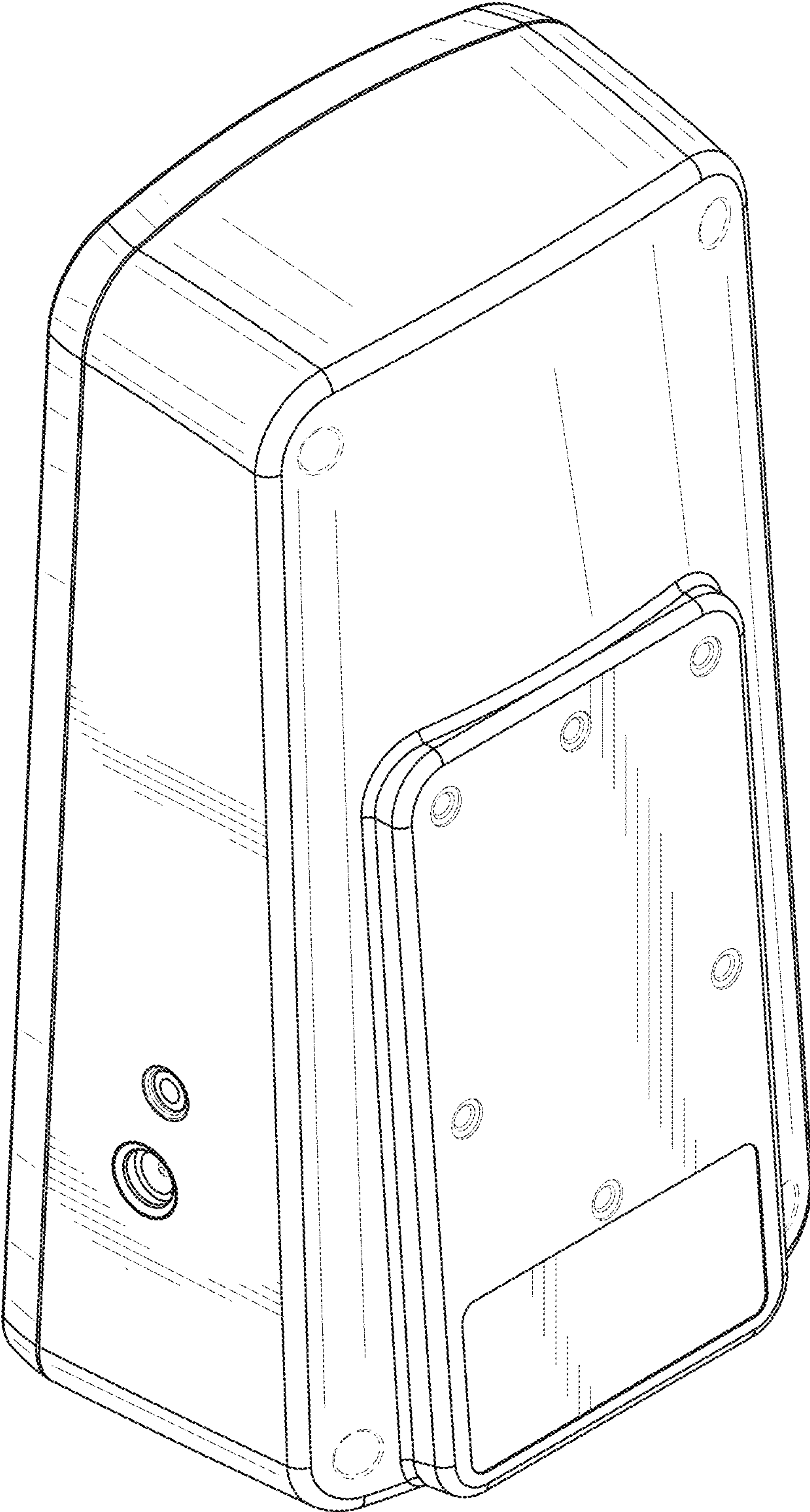


FIG. 8

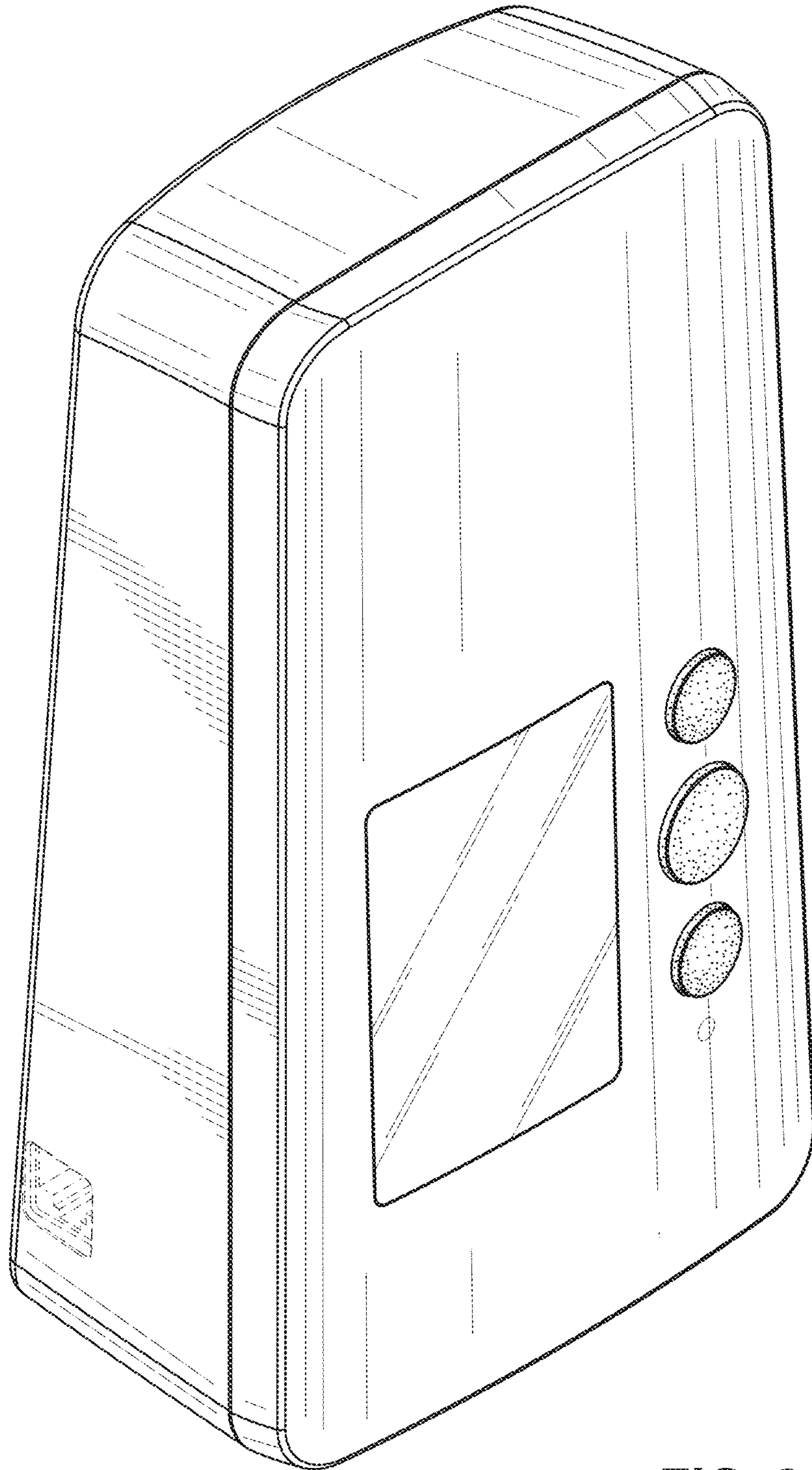


FIG. 9

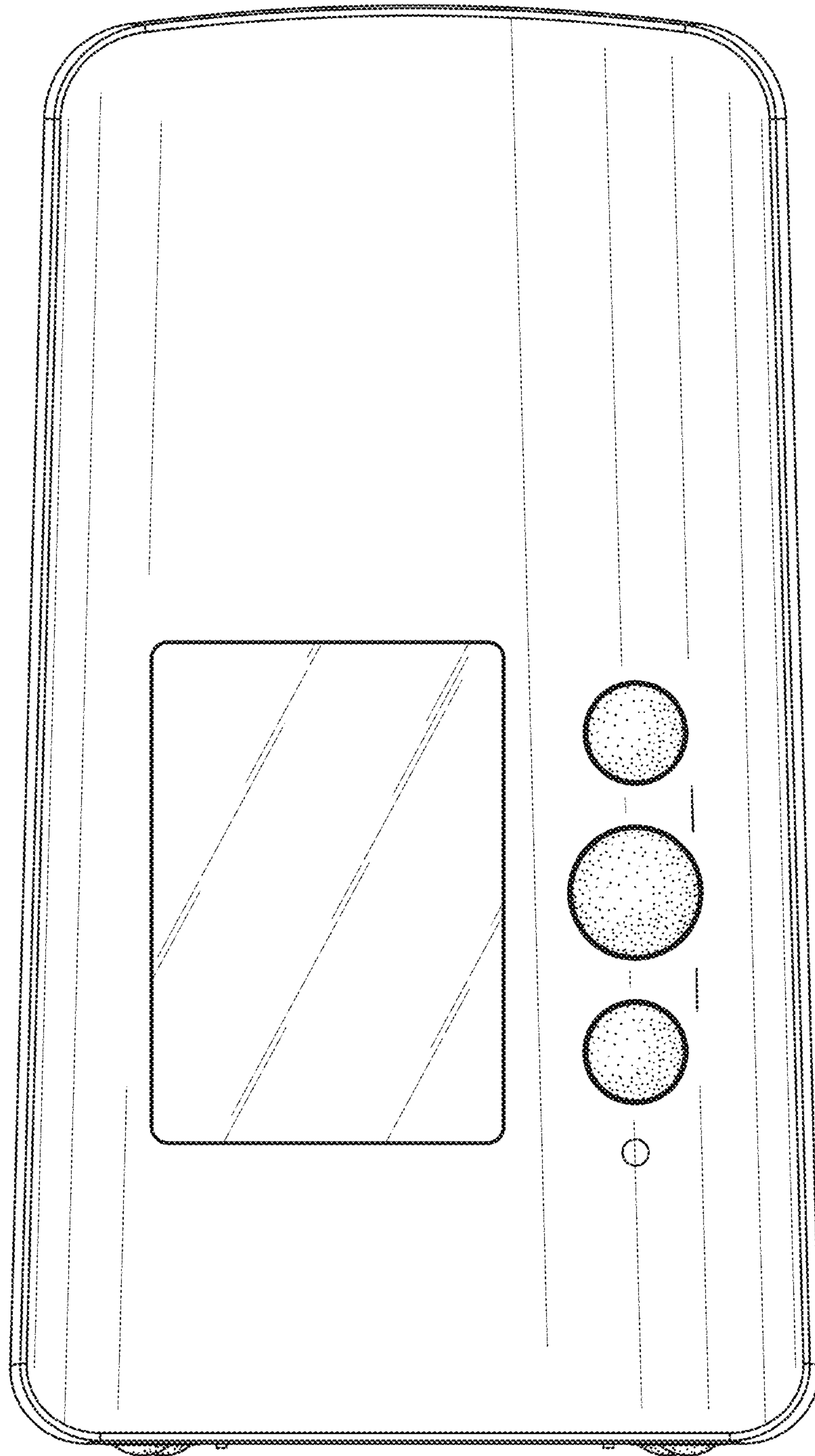


FIG. 10

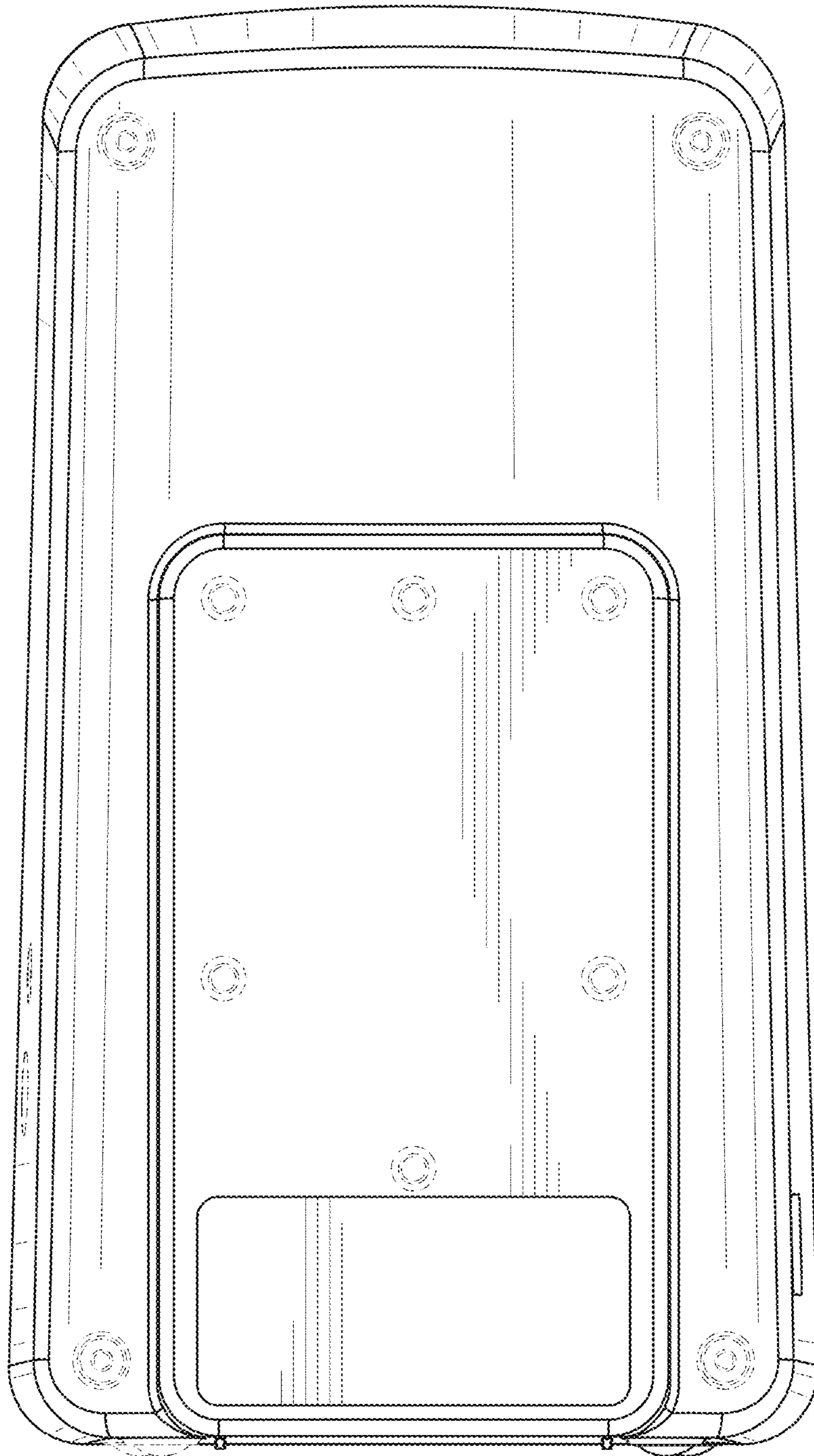


FIG. 11

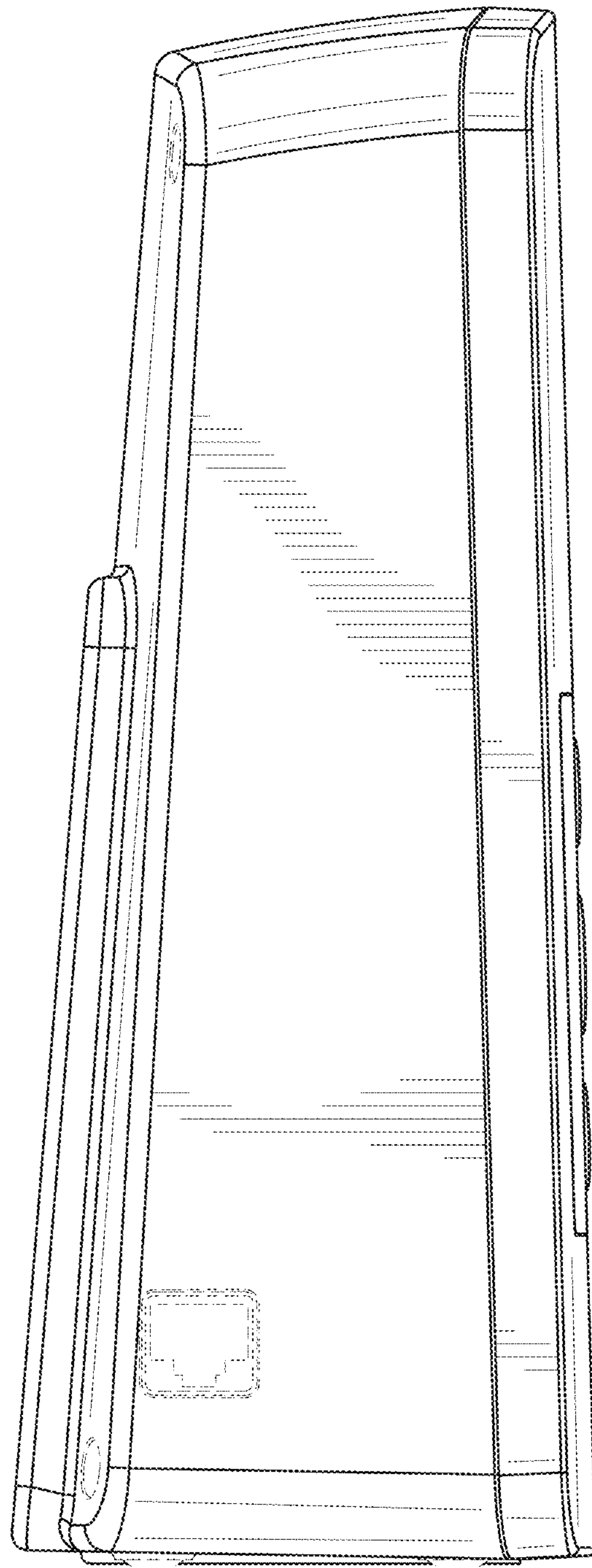


FIG. 12

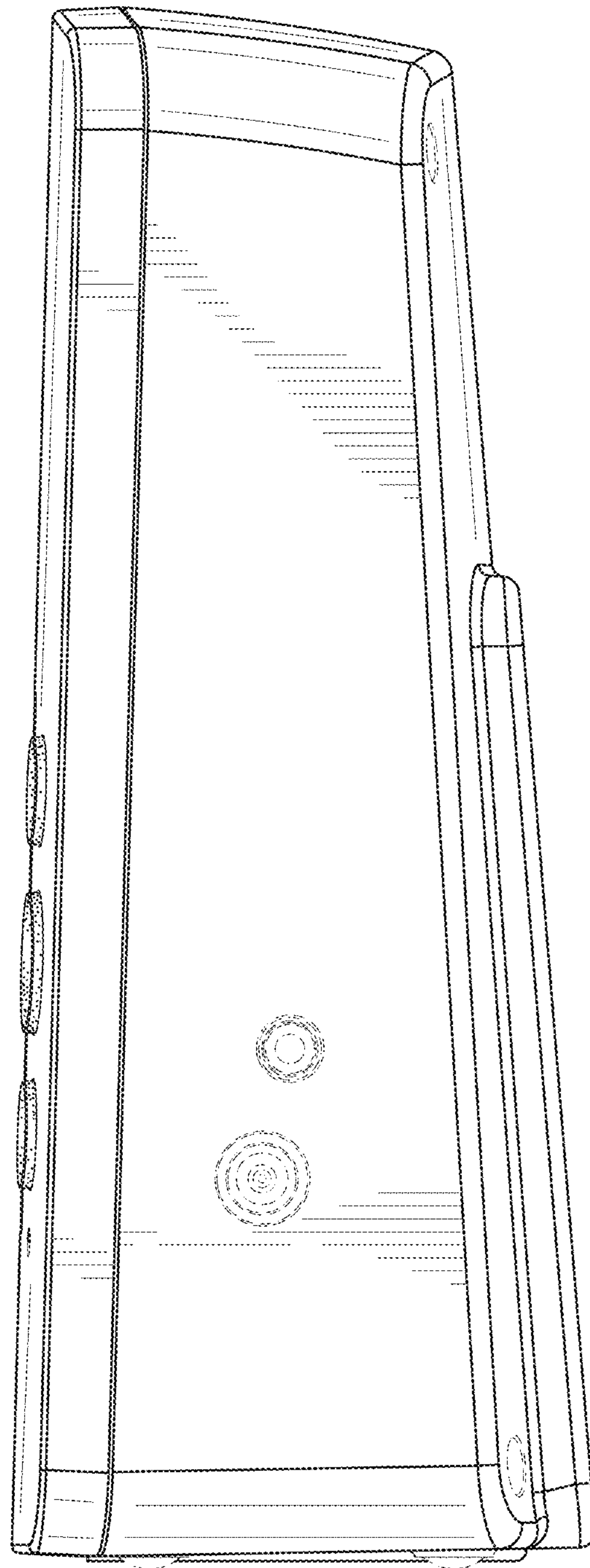


FIG. 13

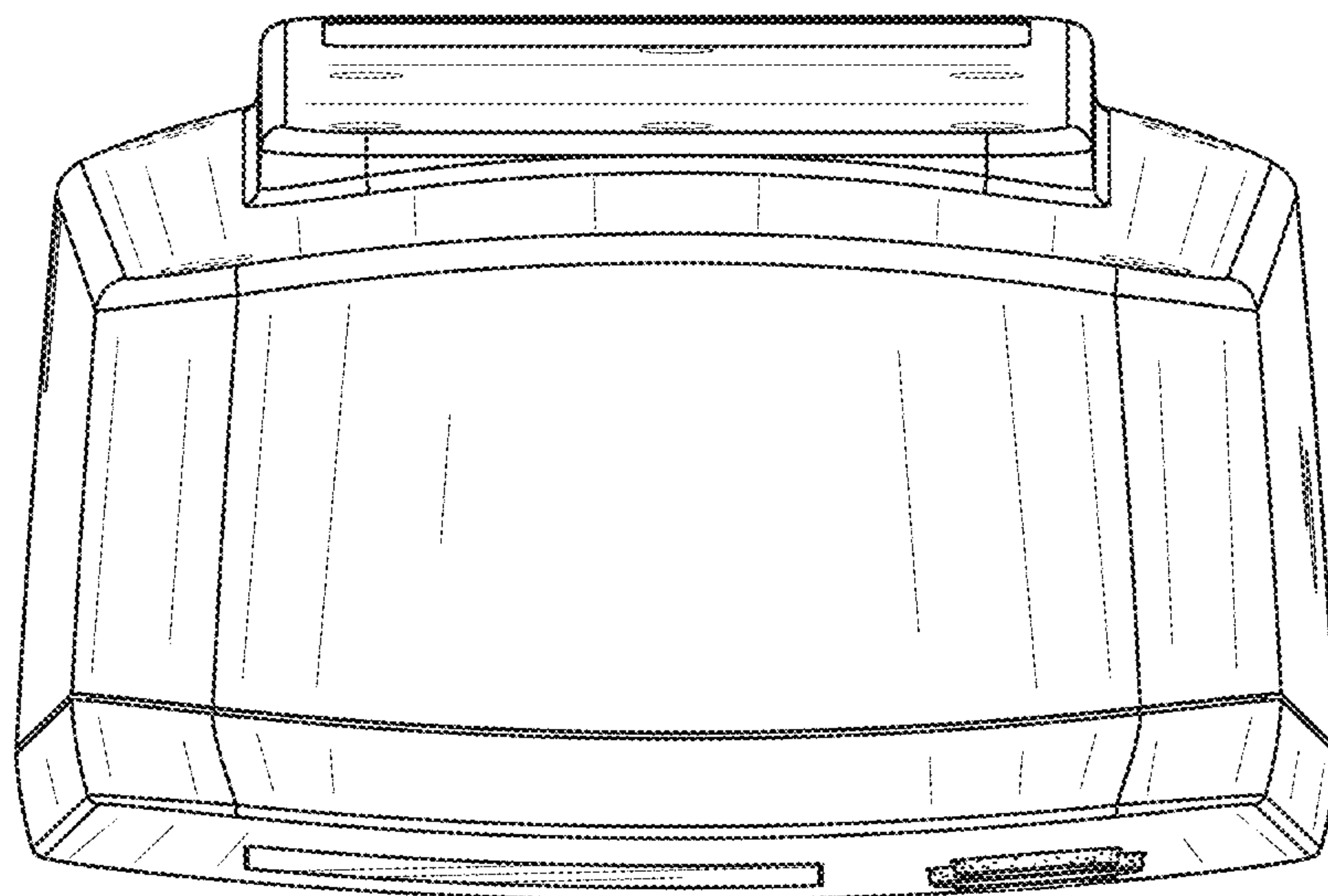


FIG. 14

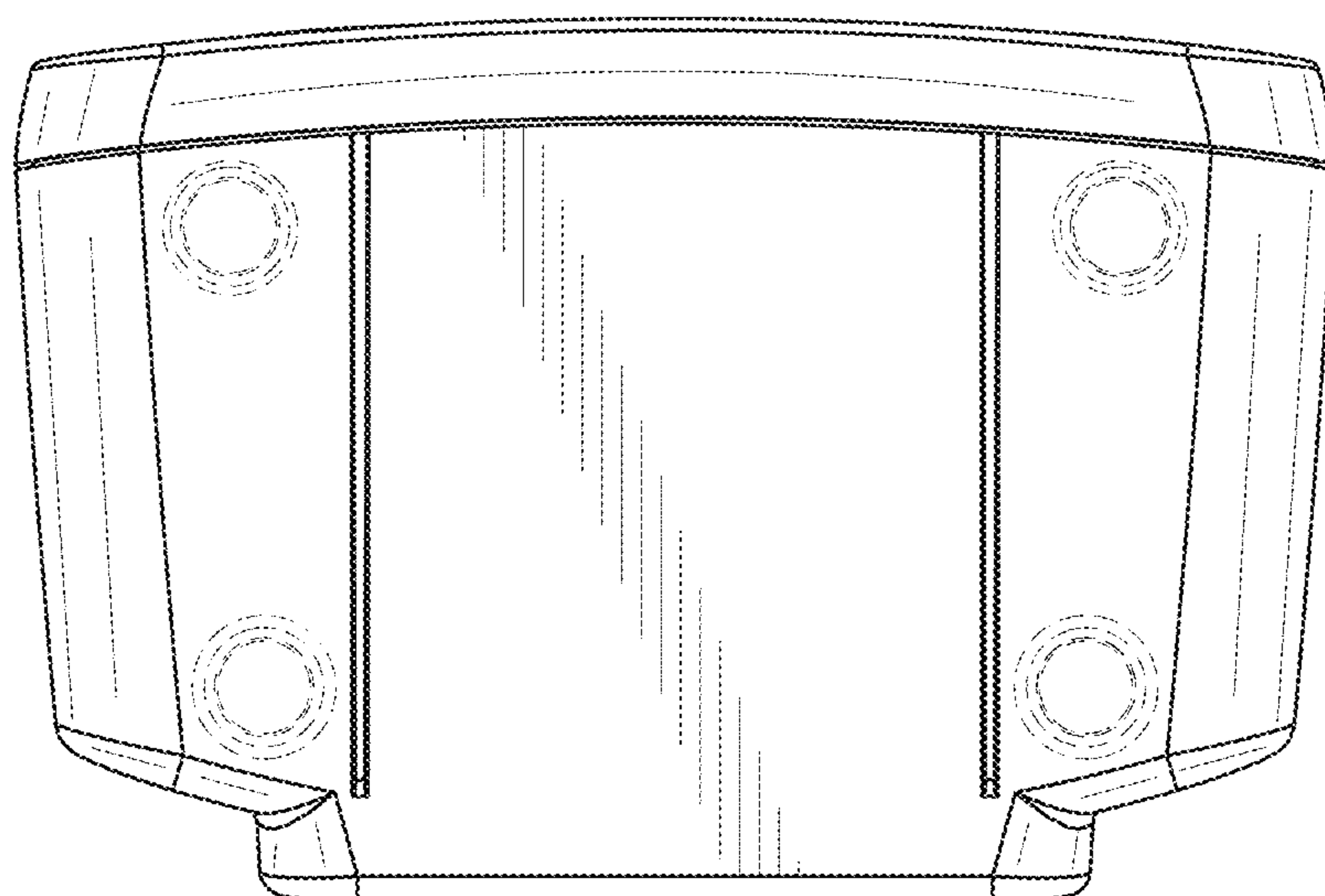


FIG. 15

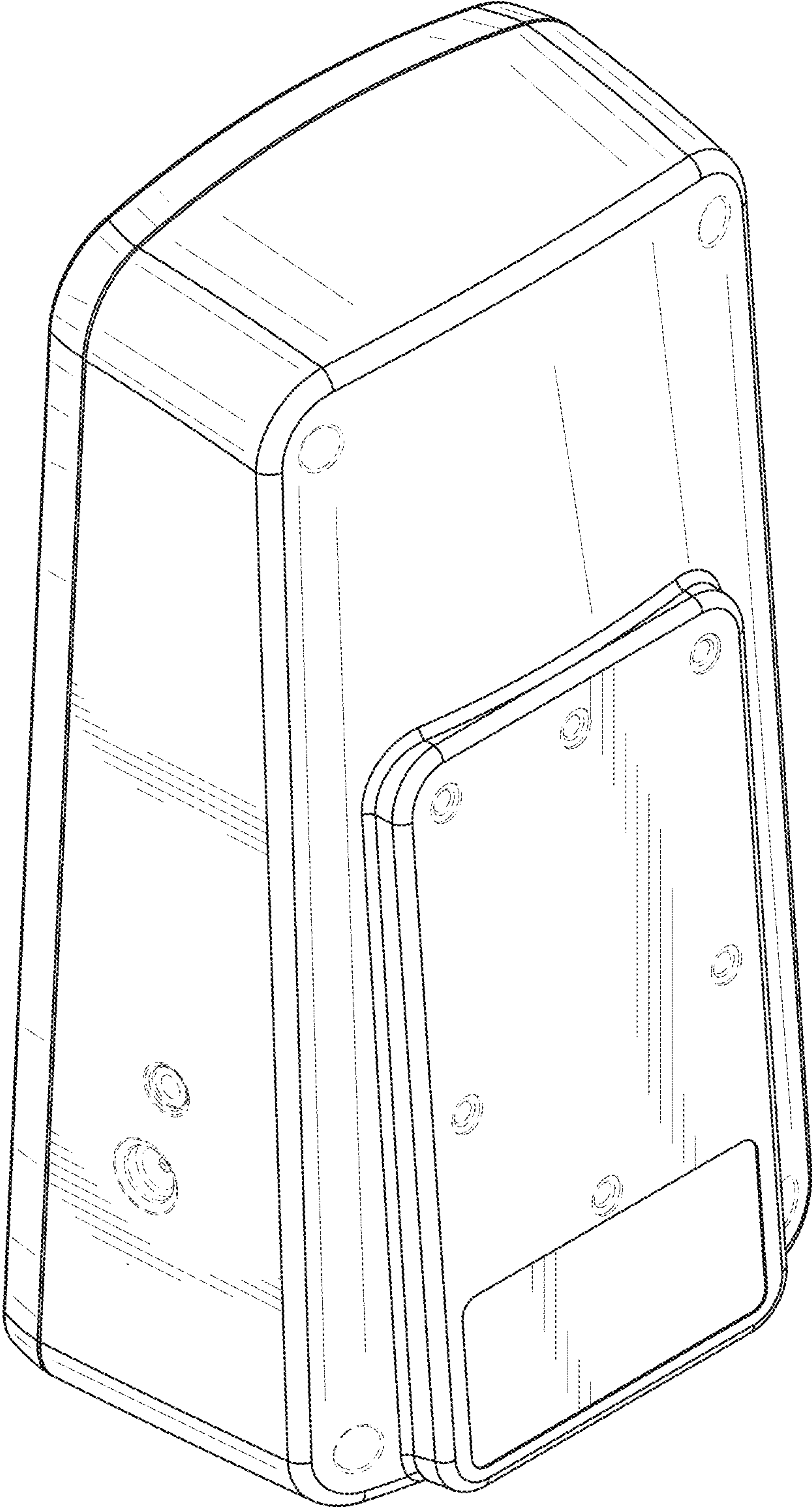


FIG. 16

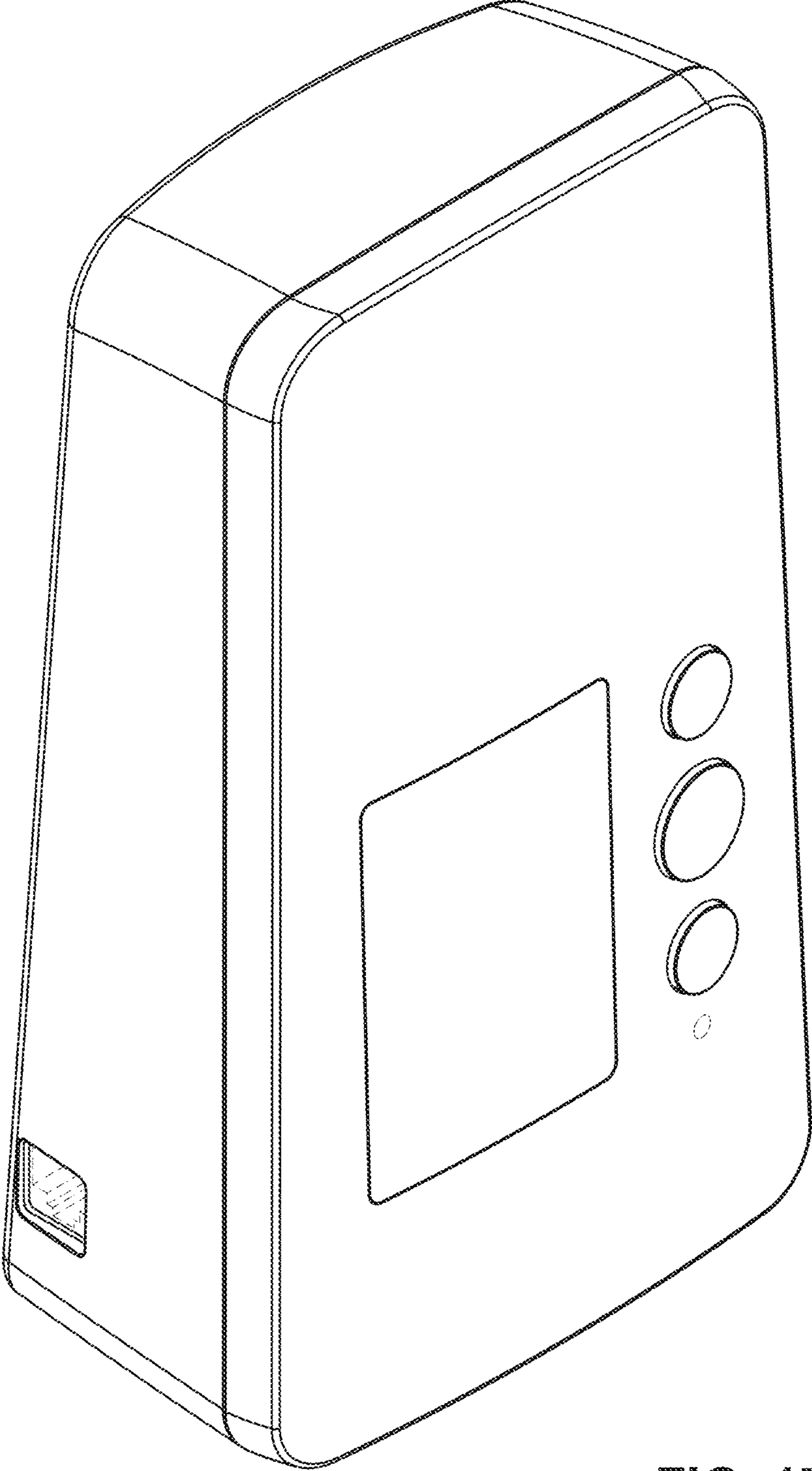


FIG. 17

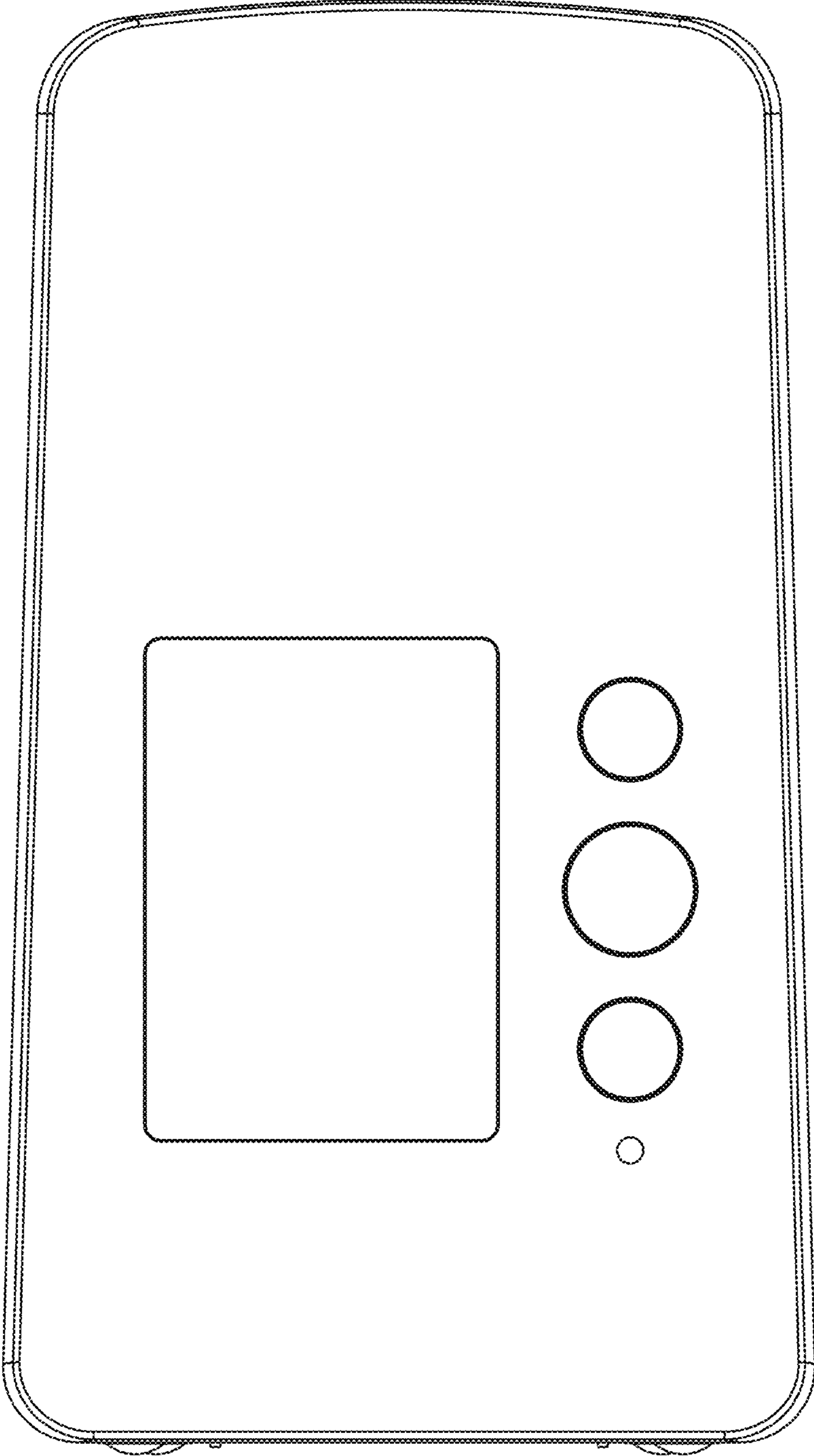


FIG. 18

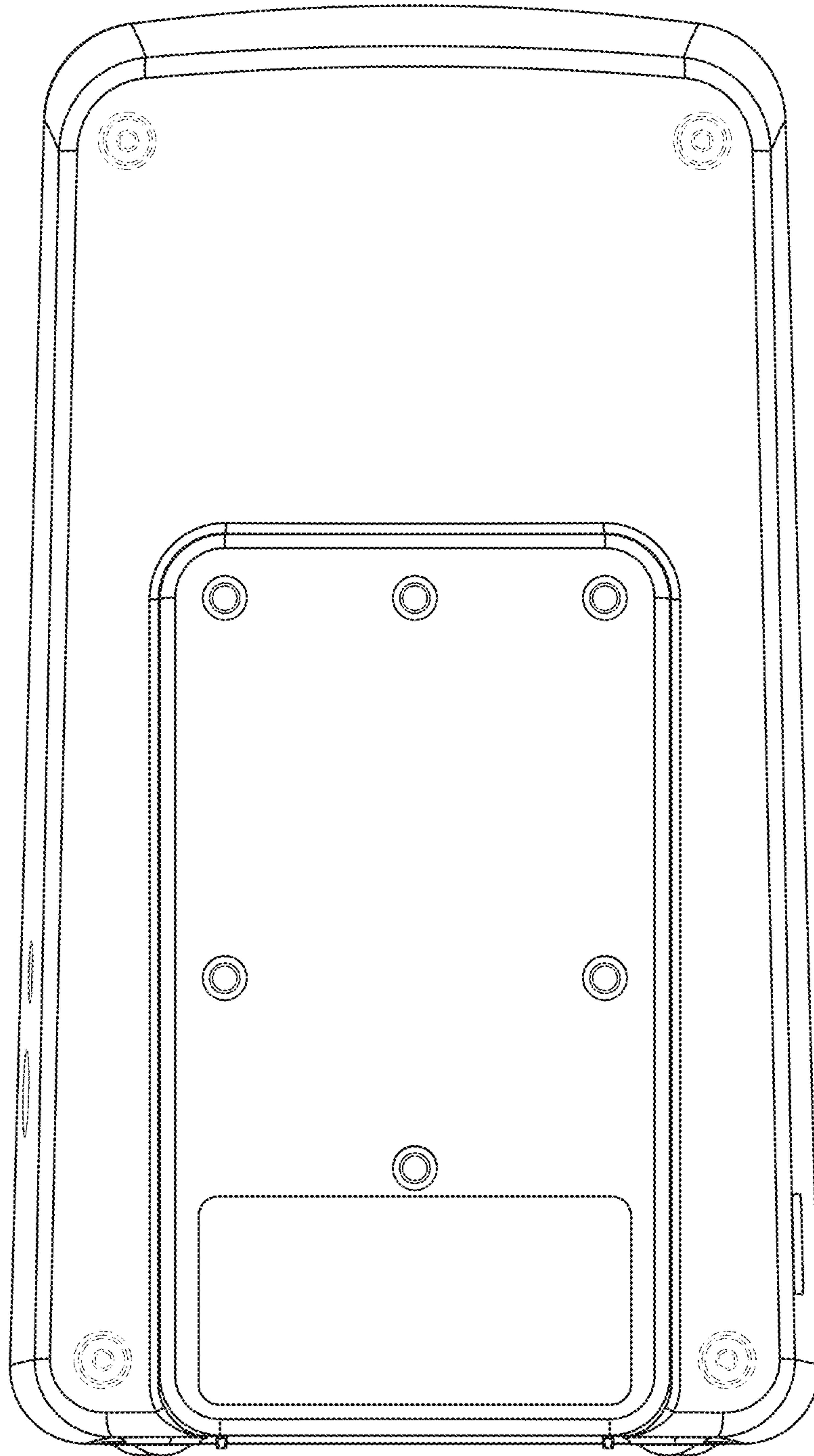


FIG. 19

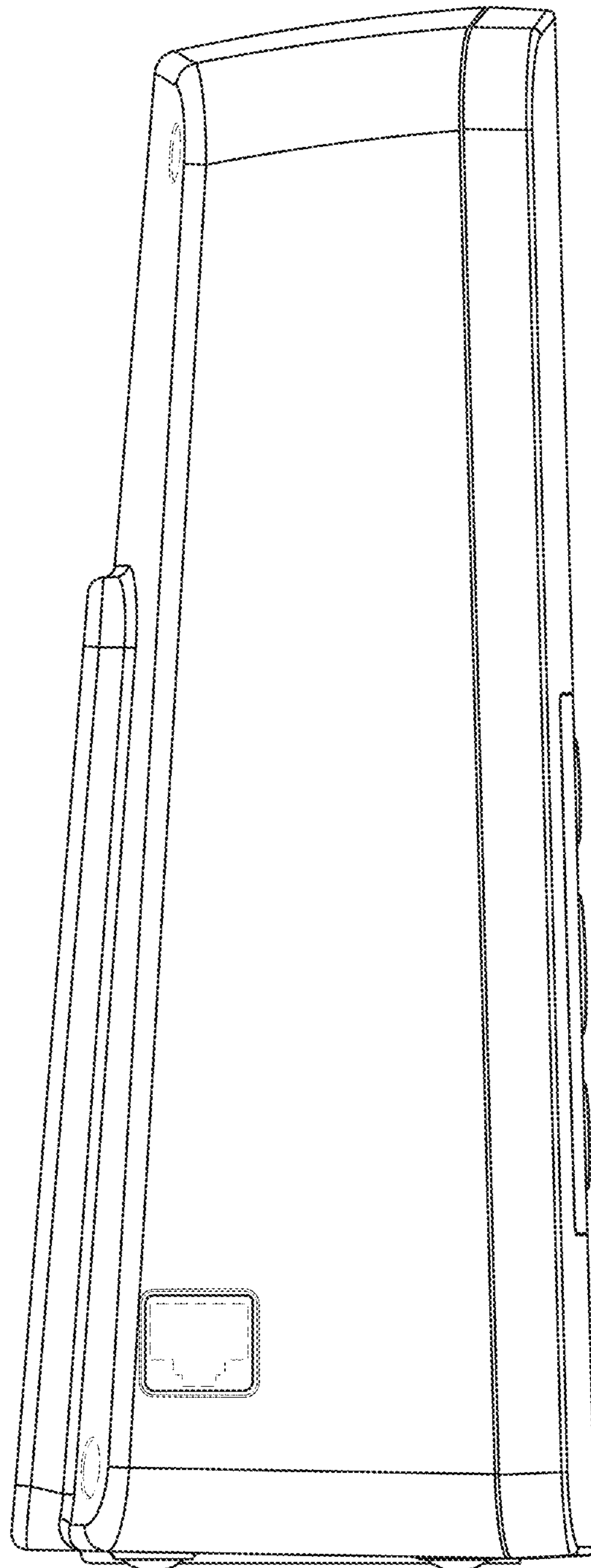


FIG. 20

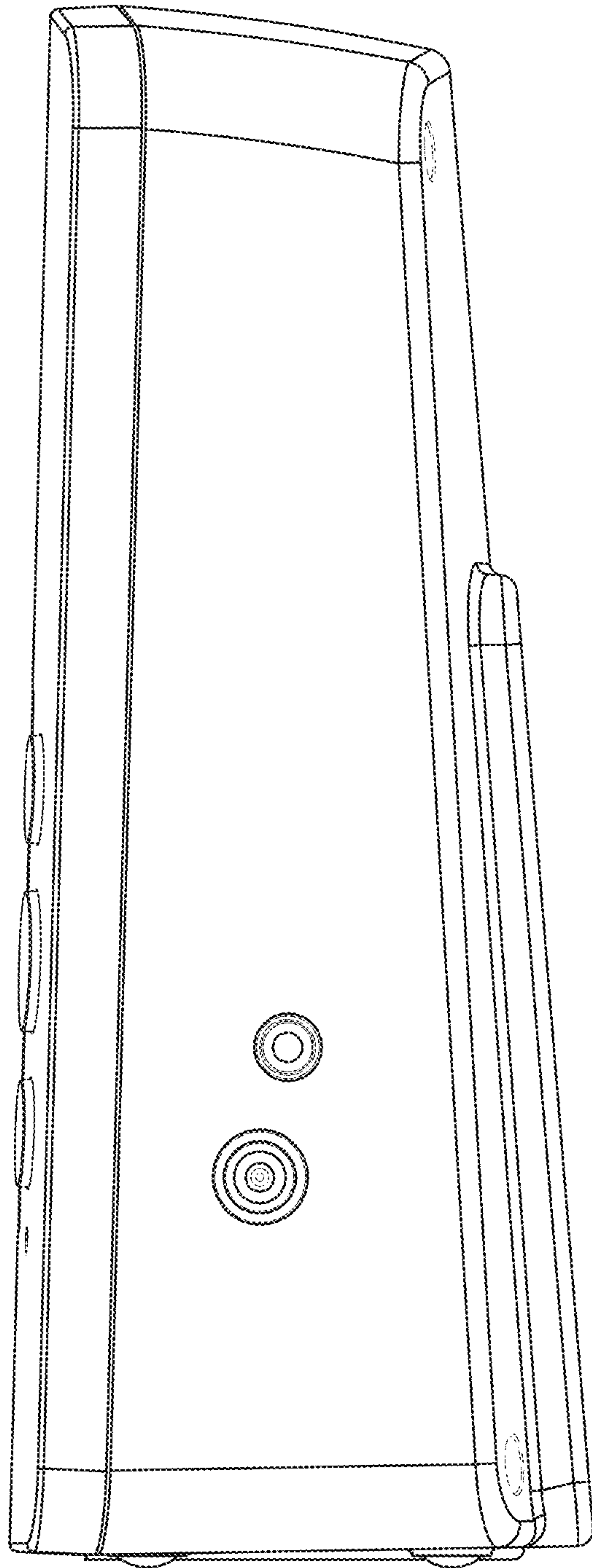


FIG. 21

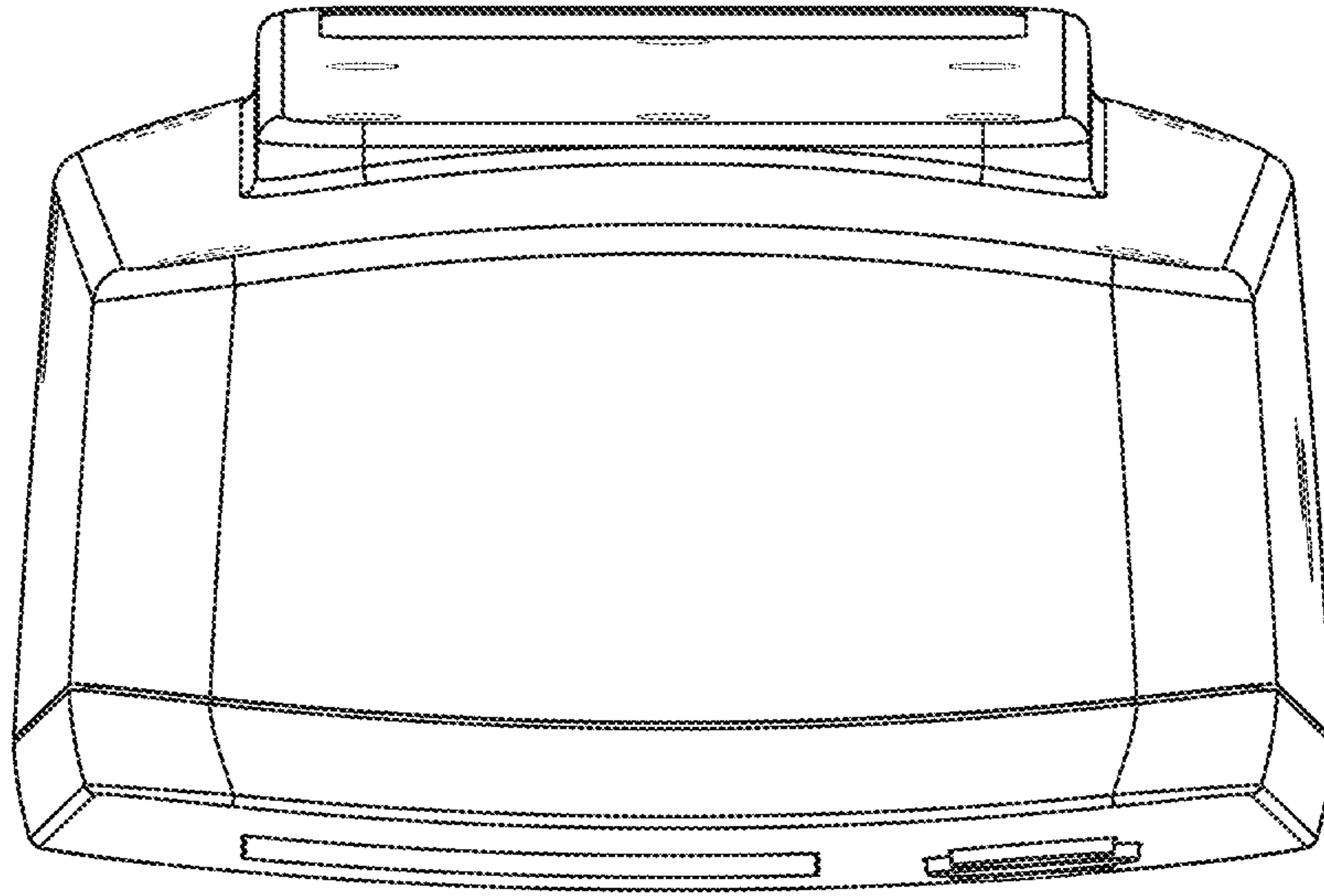


FIG. 22

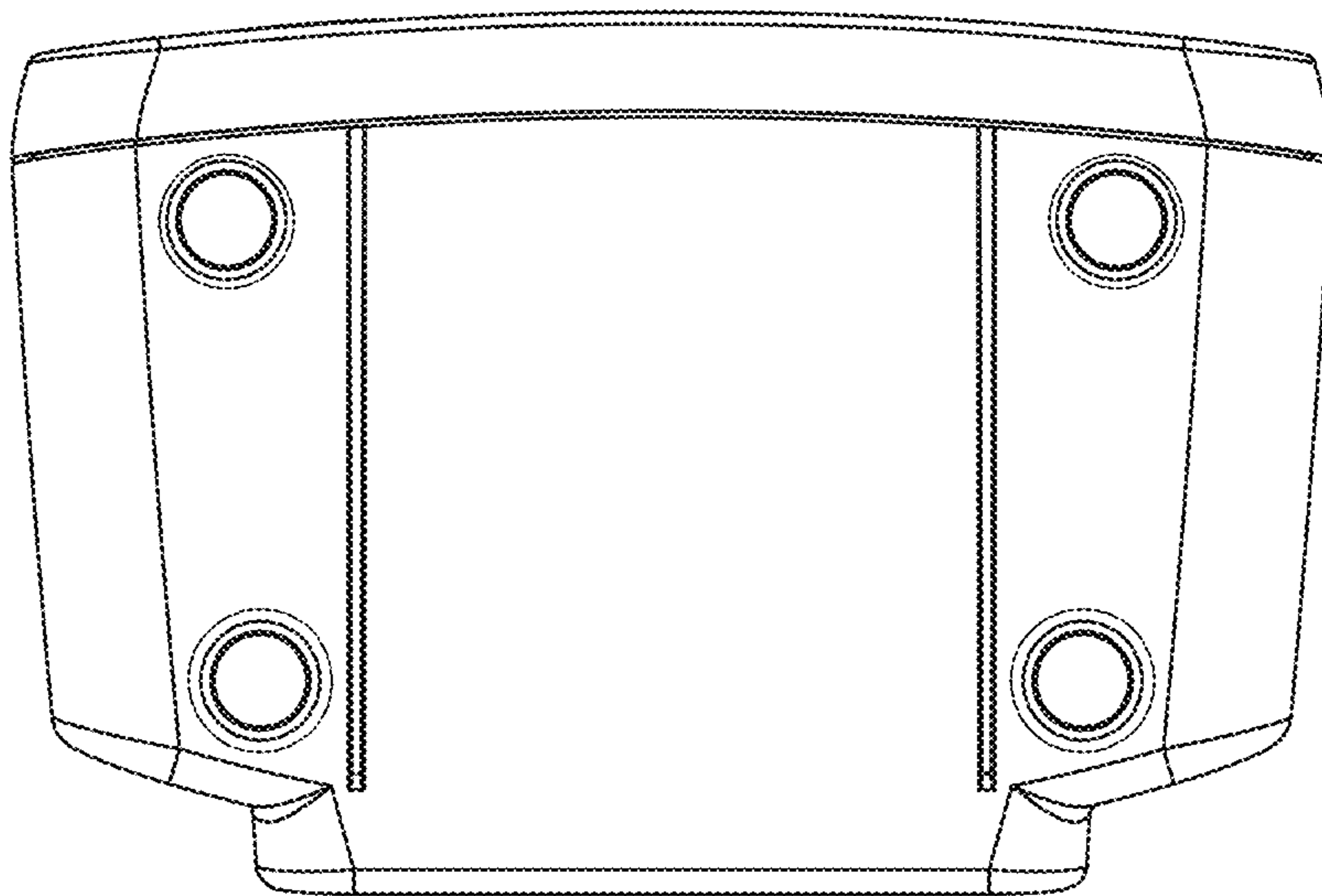


FIG. 23

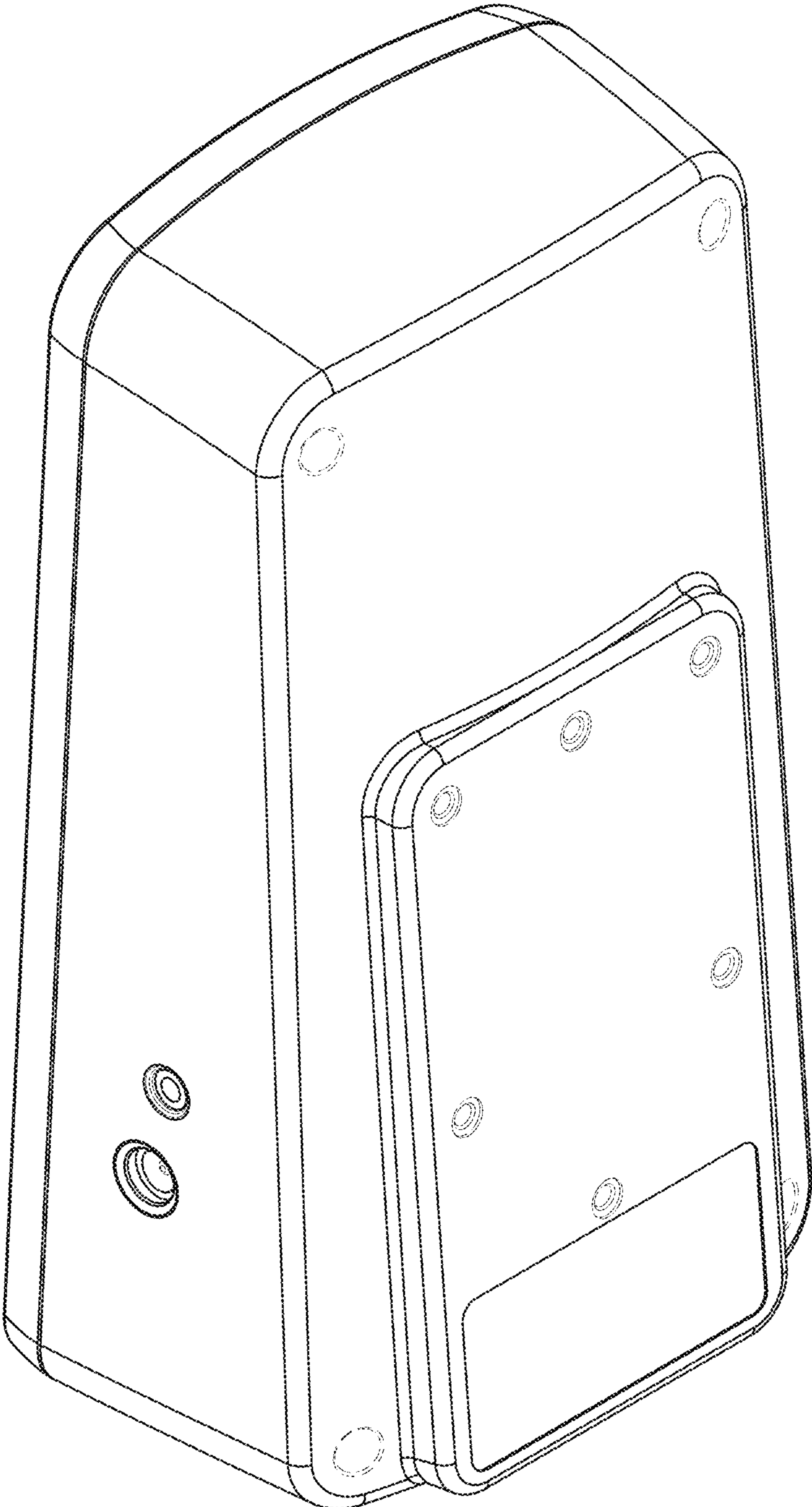


FIG. 24

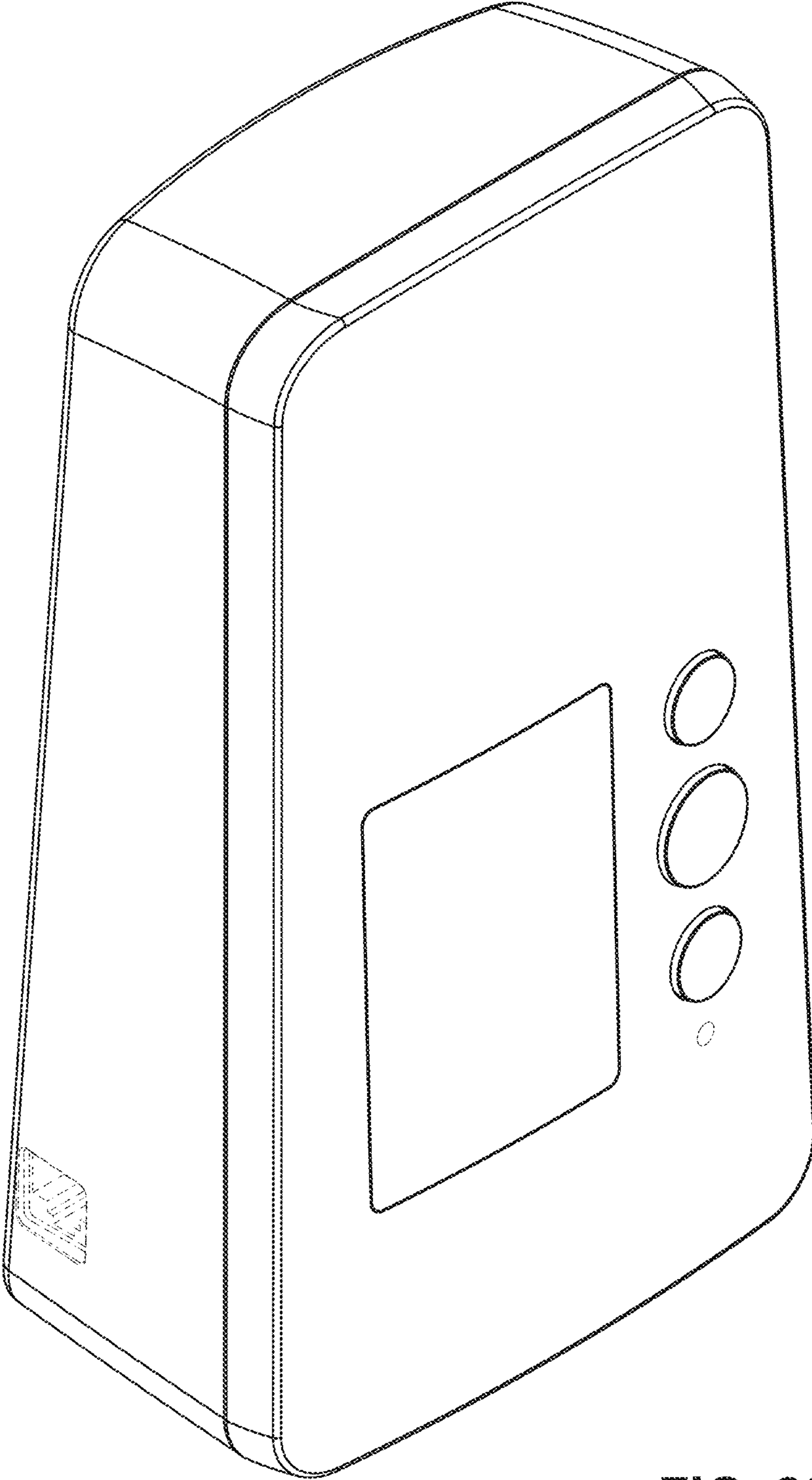


FIG. 25

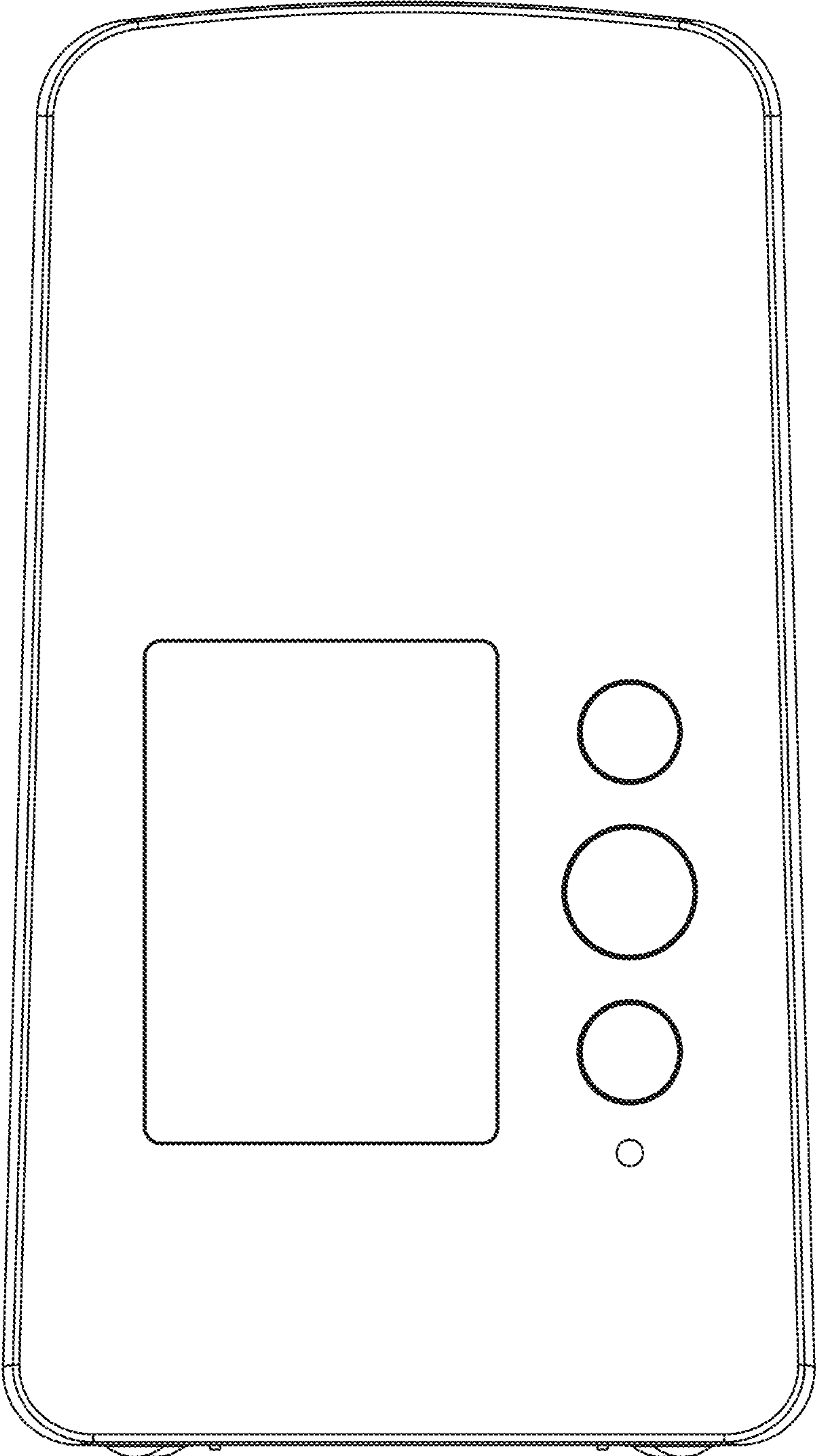


FIG. 26

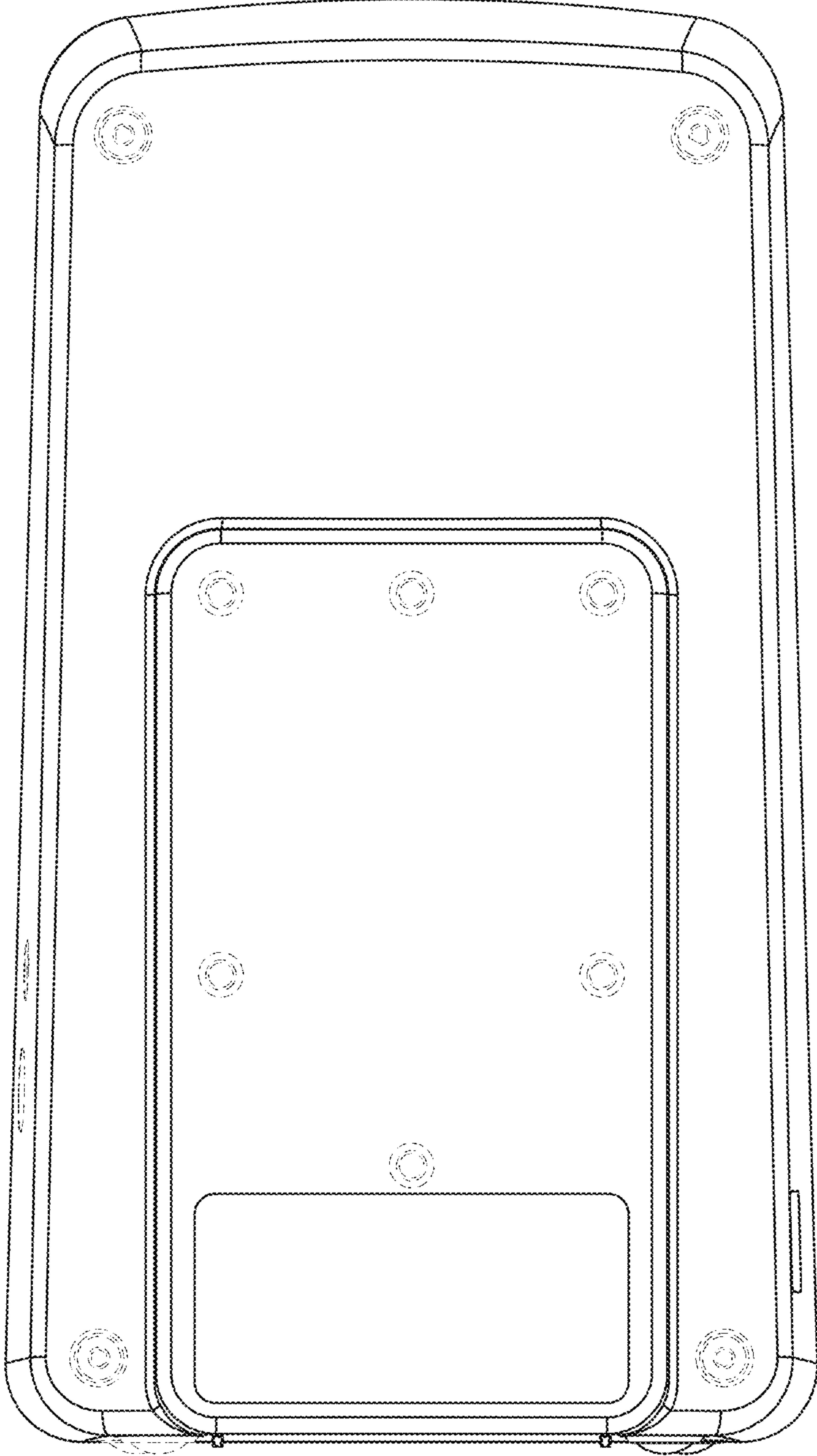


FIG. 27

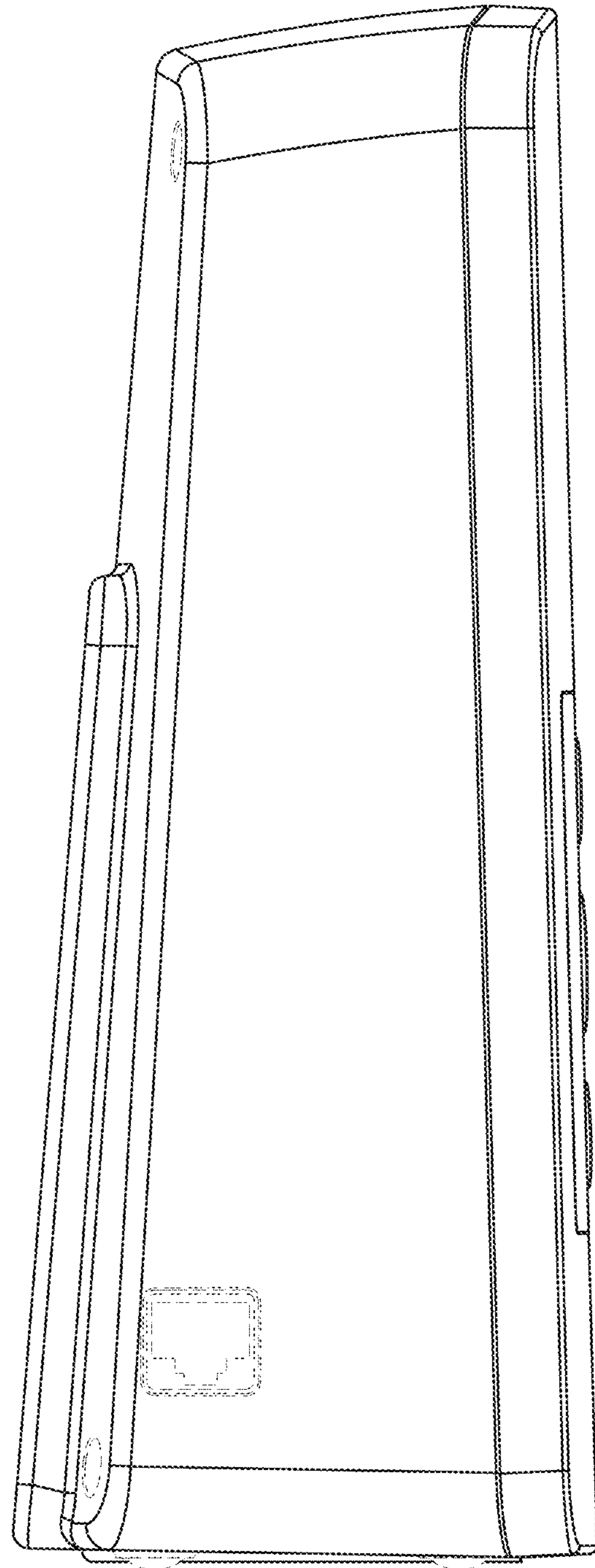


FIG. 28

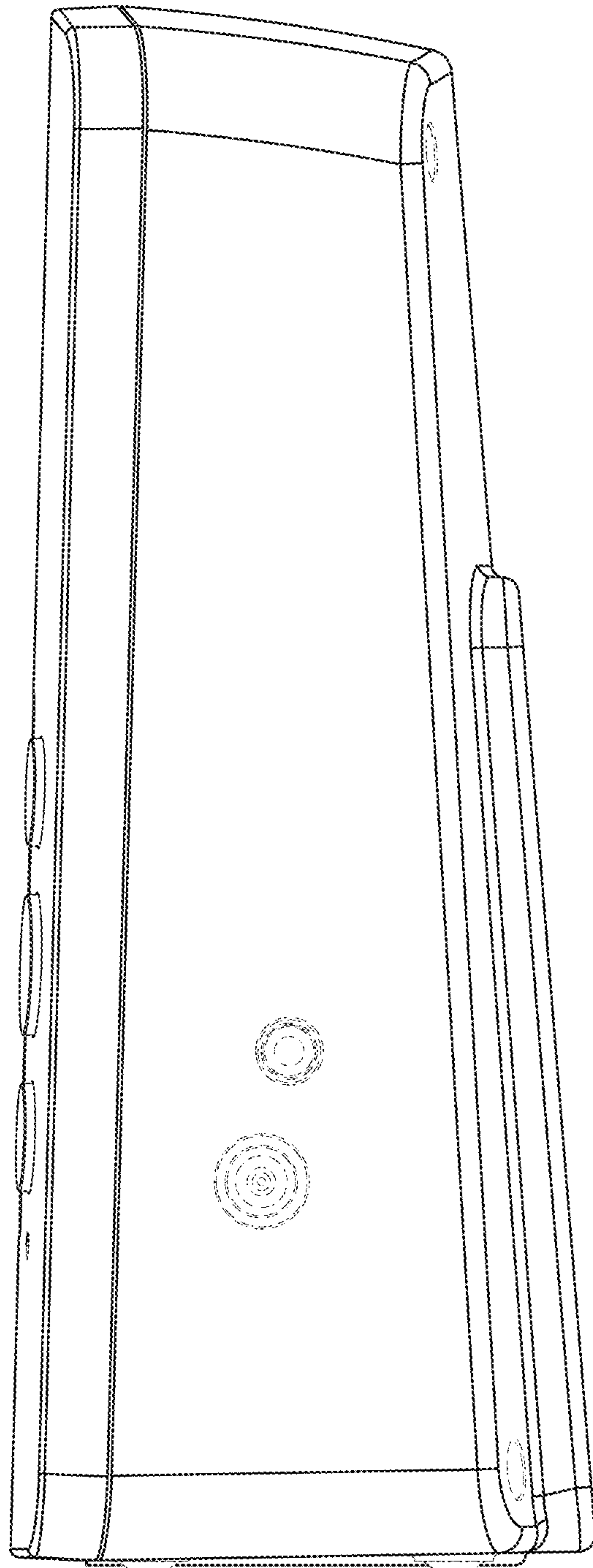


FIG. 29

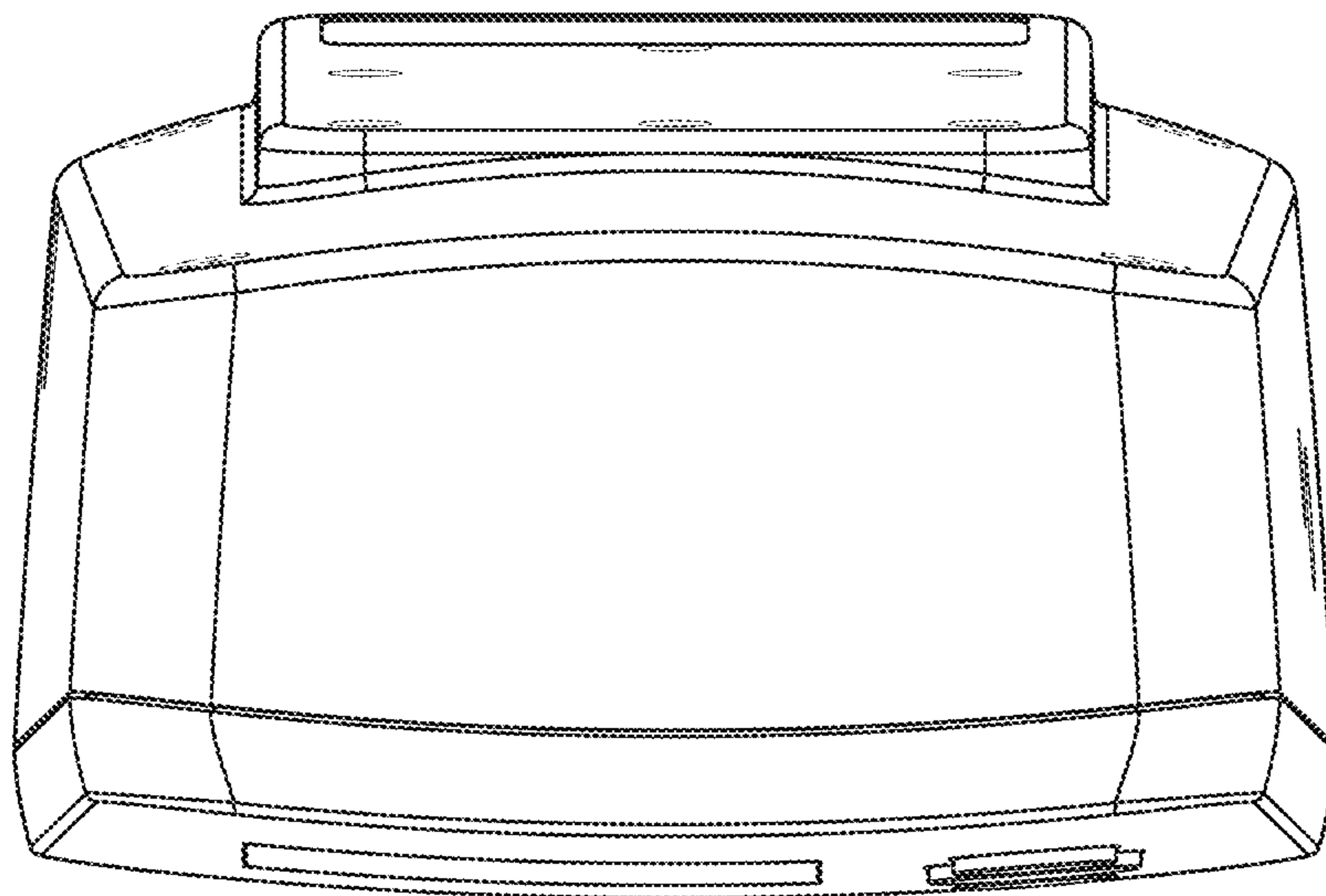


FIG. 30

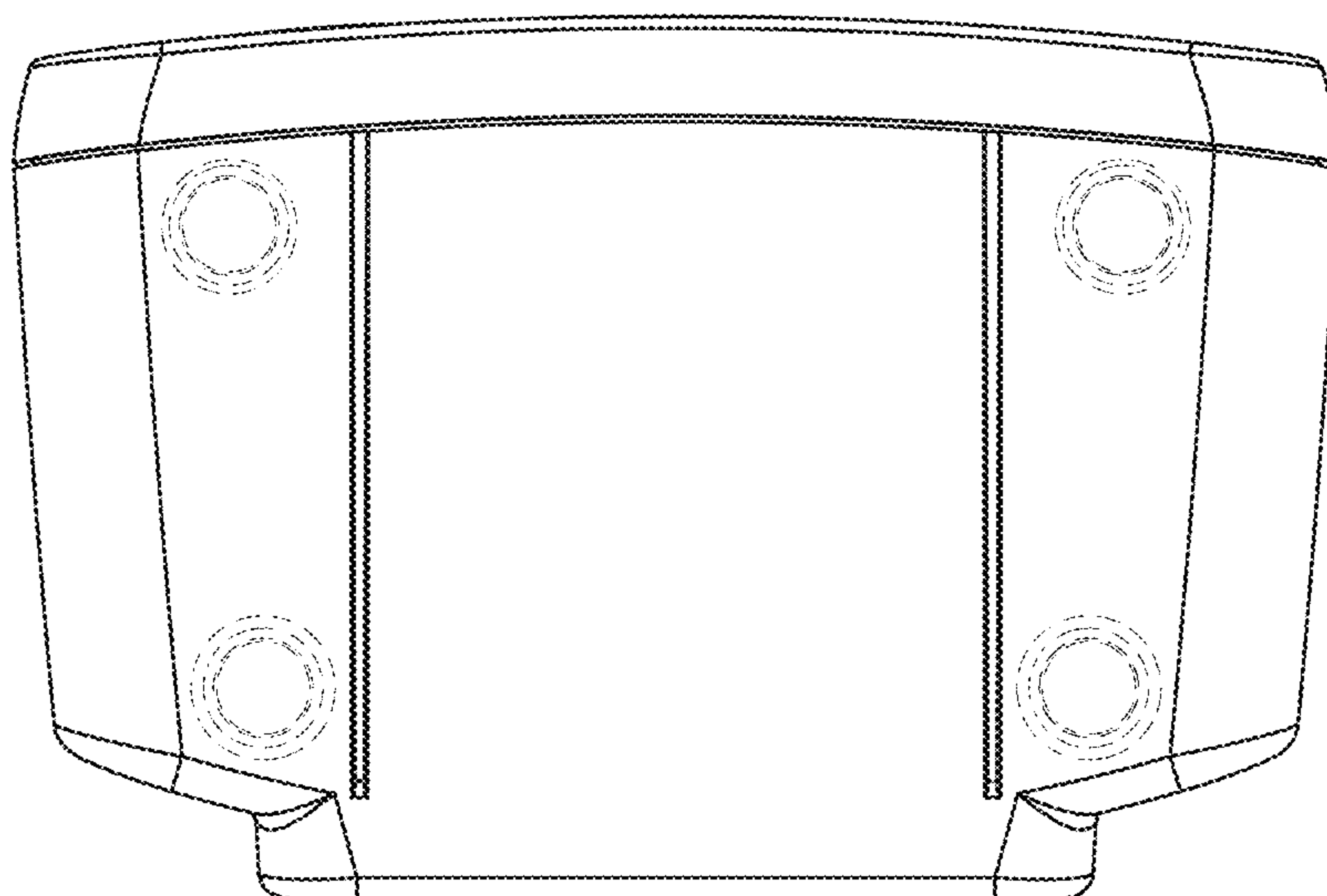


FIG. 31

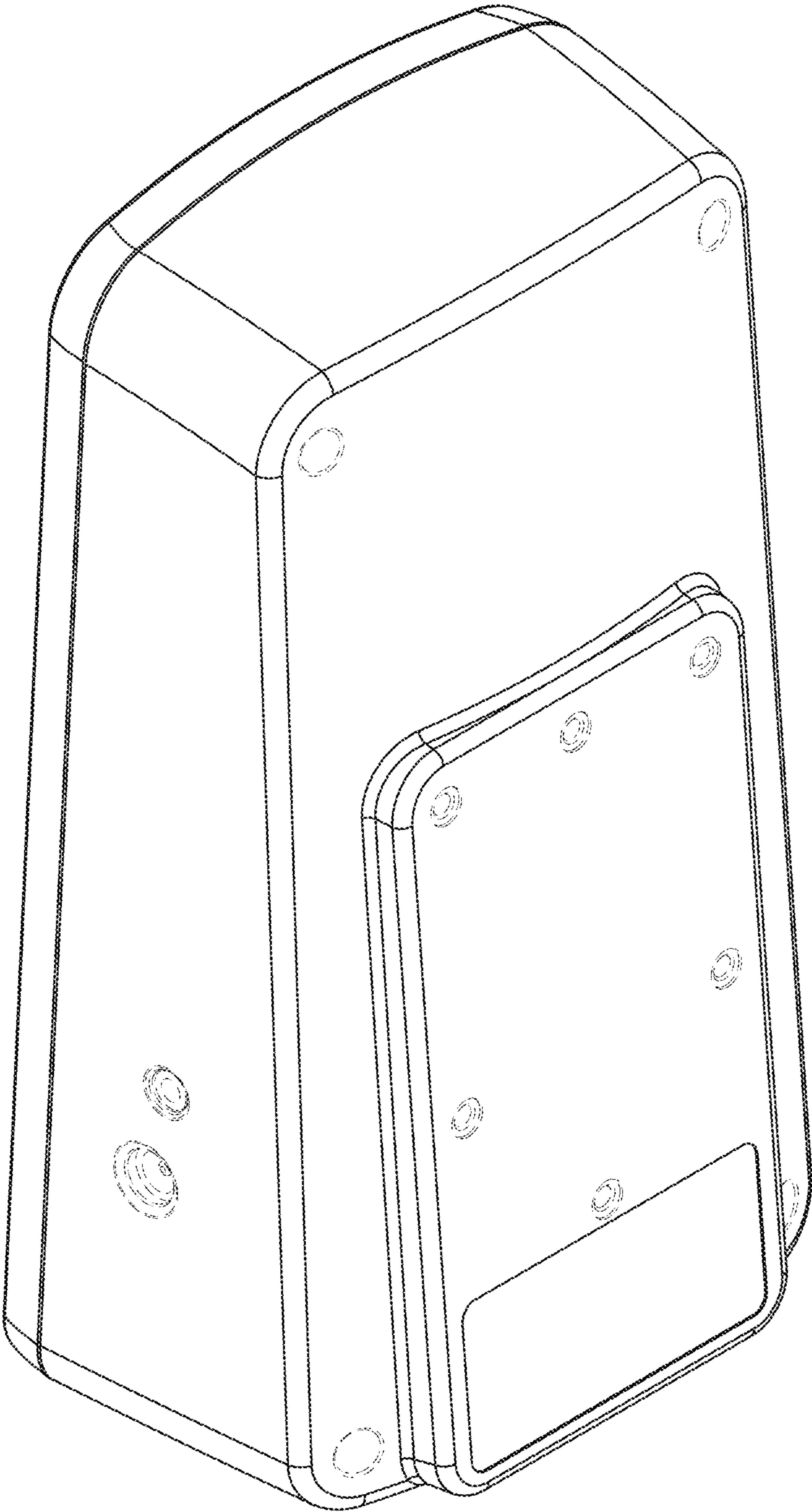


FIG. 32