



US00D748269S

(12) **United States Design Patent**
Eikanas et al.

(10) **Patent No.:** **US D748,269 S**
(45) **Date of Patent:** **** Jan. 26, 2016**

(54) **SUCTION RING FOR A PATIENT INTERFACE DEVICE**

(71) Applicant: **Optimedica Corporation**, Santa Ana, CA (US)

(72) Inventors: **Brent Eikanas**, Brentwood, CA (US); **Christine Beltran**, East Palo Alto, CA (US); **Phillip Gooding**, Mountain View, CA (US)

(73) Assignee: **Optimedica Corporation**, Santa Ana, CA (US)

(**) Term: **14 Years**

(21) Appl. No.: **29/510,844**

(22) Filed: **Dec. 3, 2014**

(51) **LOC (10) Cl.** **24-00**

(52) **U.S. Cl.**
USPC **D24/172**

(58) **Field of Classification Search**
USPC D24/172, 185, 128, 108, 150;
D10/104.1; 606/6; 604/290
CPC A61F 9/008; A61M 35/00
See application file for complete search history.

(56) **References Cited**

U.S. PATENT DOCUMENTS

D357,319 S * 4/1995 Volk D24/172
D363,778 S * 10/1995 Cane et al. D24/172
D393,070 S * 3/1998 Gosnell D24/172
D422,079 S * 3/2000 Yavitz D24/128

D429,175 S * 8/2000 Ha D10/104.1
D434,498 S * 11/2000 Mueller et al. D24/172
D434,851 S * 12/2000 Mueller et al. D24/172
D439,655 S * 3/2001 Chandler D24/108
RE37,298 E * 7/2001 Volk D24/172
D462,442 S * 9/2002 Webb D24/150
D614,774 S * 4/2010 Gausmann et al. D24/172
2013/0103014 A1 * 4/2013 Gooding et al. 606/6
2014/0128821 A1 * 5/2014 Gooding et al. 604/290

* cited by examiner

Primary Examiner — Holly Baynham

Assistant Examiner — Rhea Shields

(74) *Attorney, Agent, or Firm* — Abbott Medical Optics Inc.

(57) **CLAIM**

What is claimed is the ornamental design for a suction ring for a patient interface device, as shown and described.

DESCRIPTION

FIG. 1 is a side perspective view of a suction ring for a patient interface device showing our new design in unclaimed environment;

FIG. 2 is a top perspective view of the suction ring for a patient interface device shown in another environment;

FIG. 3 is an elevational view thereof;

FIG. 4 is a front view thereof;

FIG. 5 is a rear view thereof;

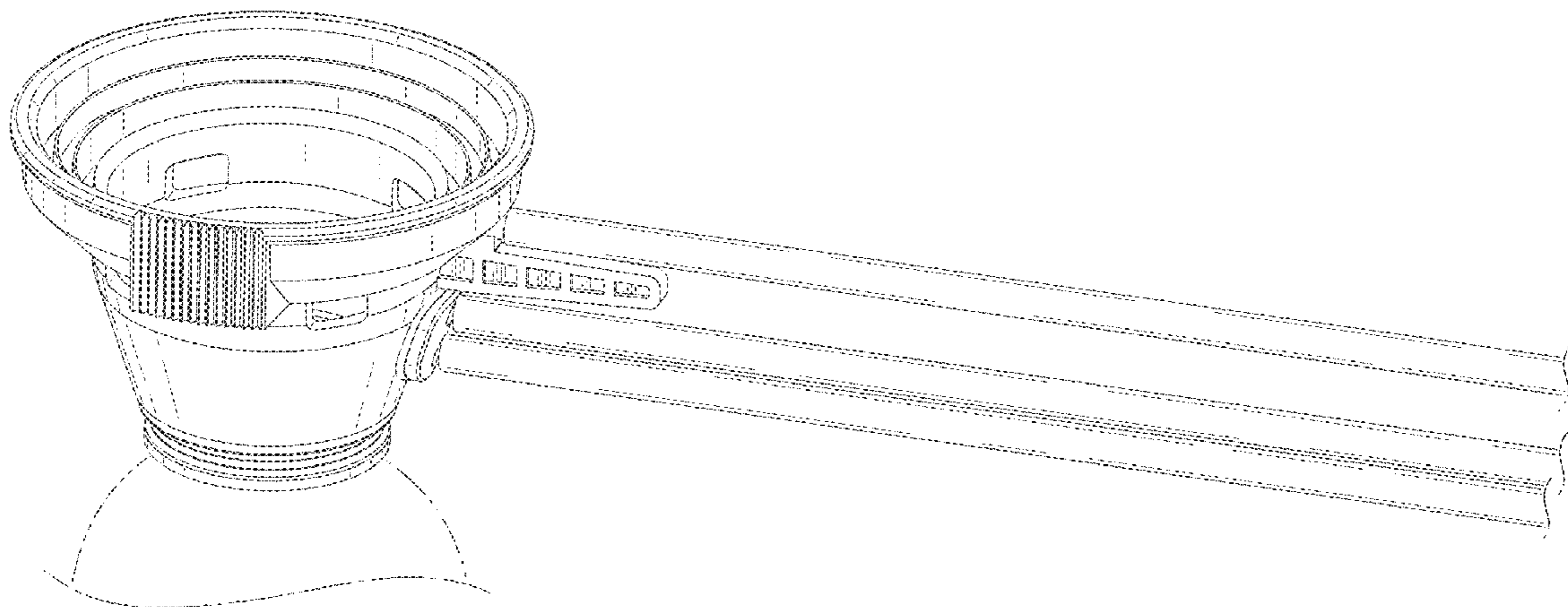
FIG. 6 is a top view thereof;

FIG. 7 is a bottom view thereof; and,

FIG. 8 is a sectional view thereof.

In the drawings, the broken lines are for the purpose of illustrating environment only and form no part of the claimed design.

1 Claim, 5 Drawing Sheets



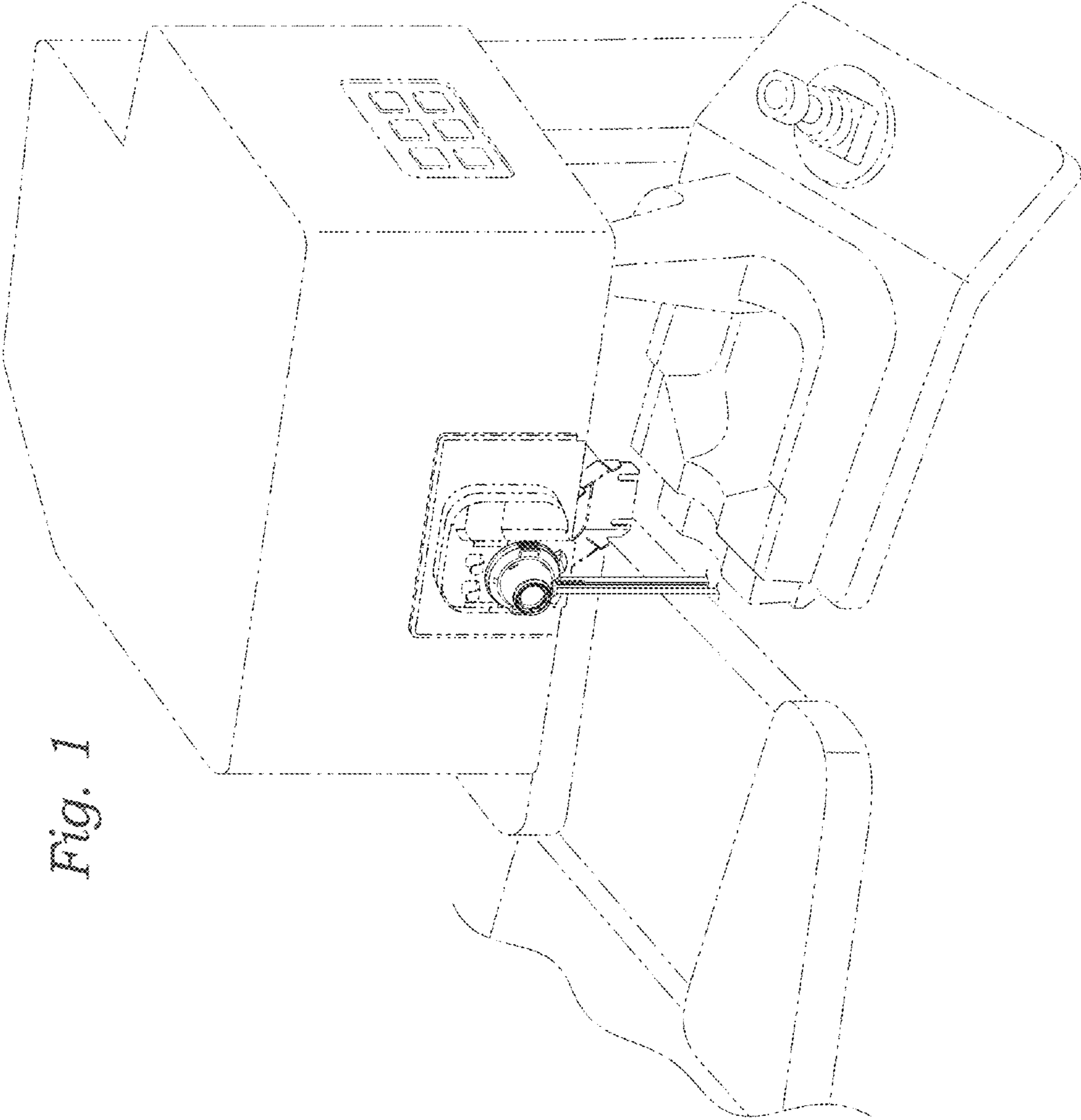


Fig. 1

Fig. 2

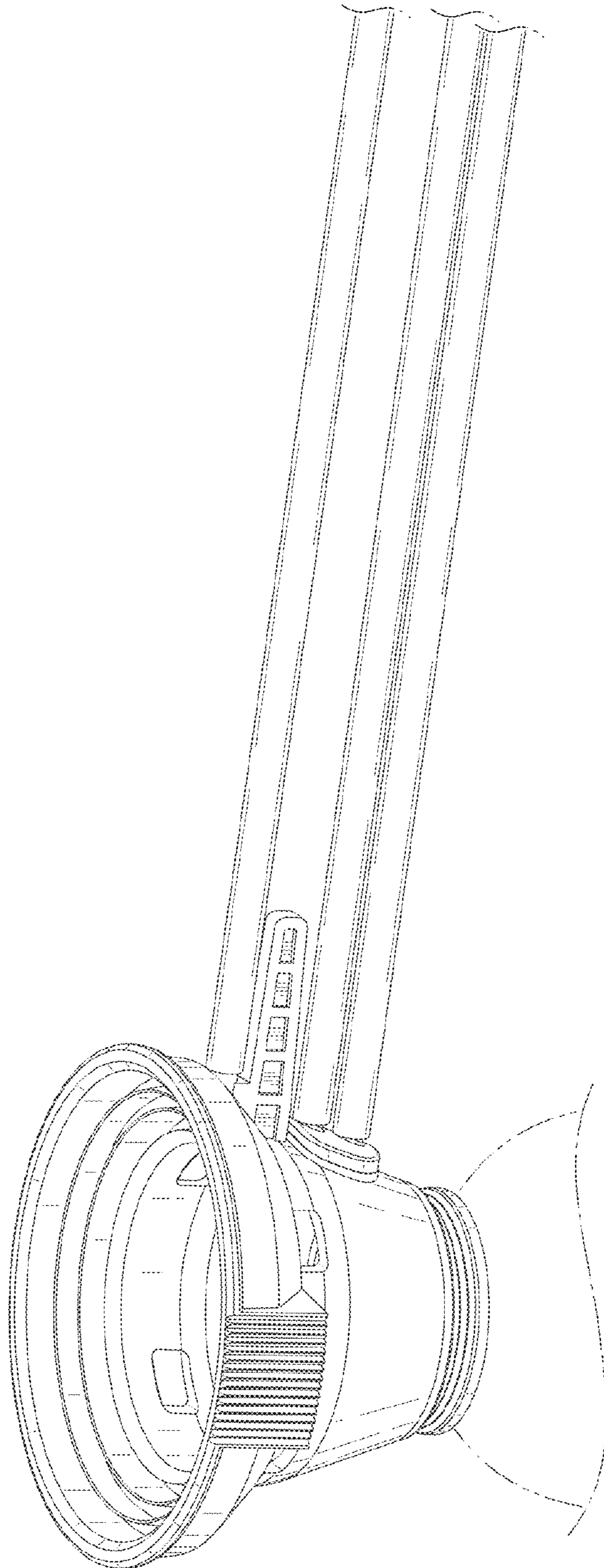


Fig. 3

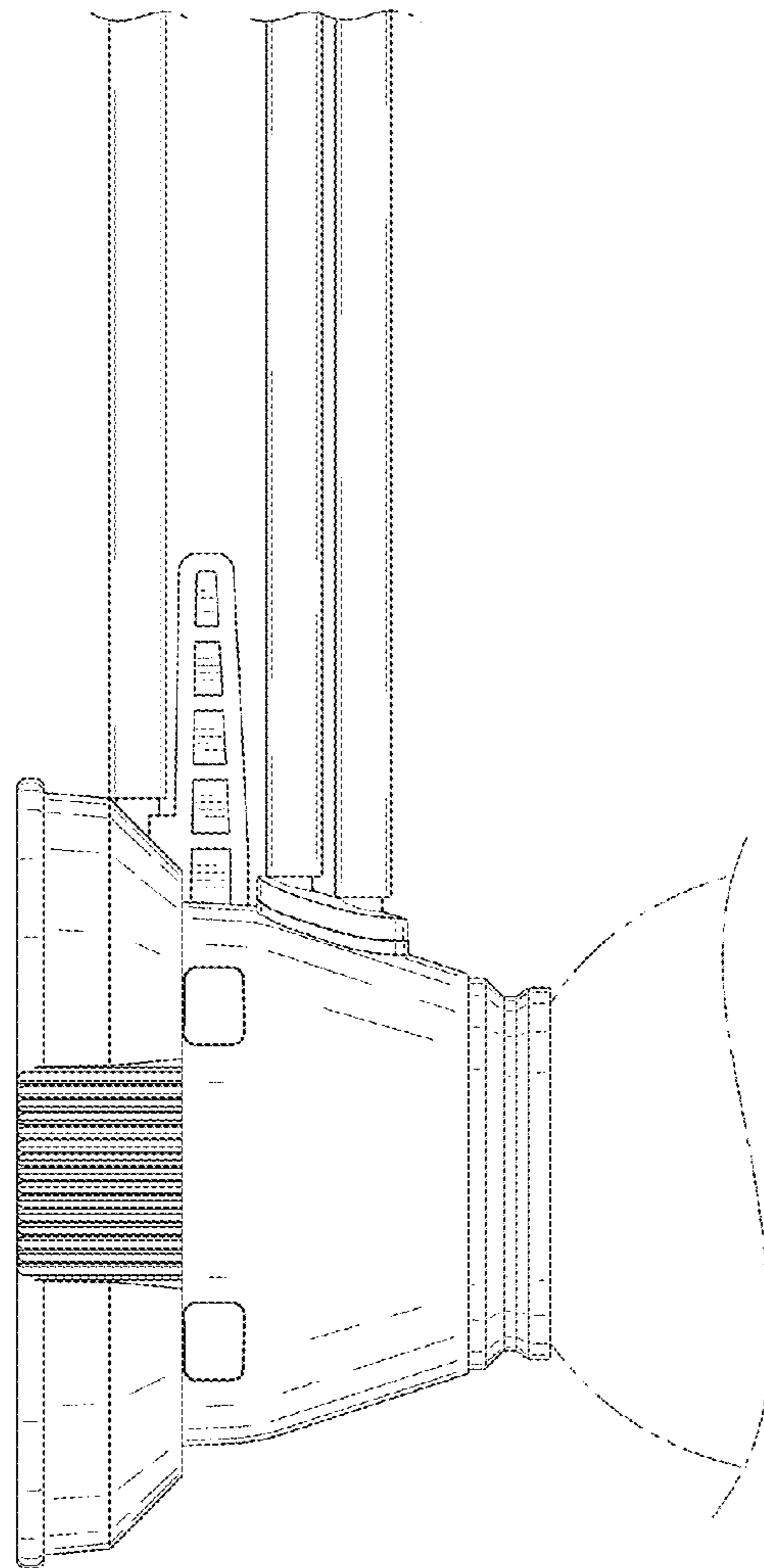


Fig. 8

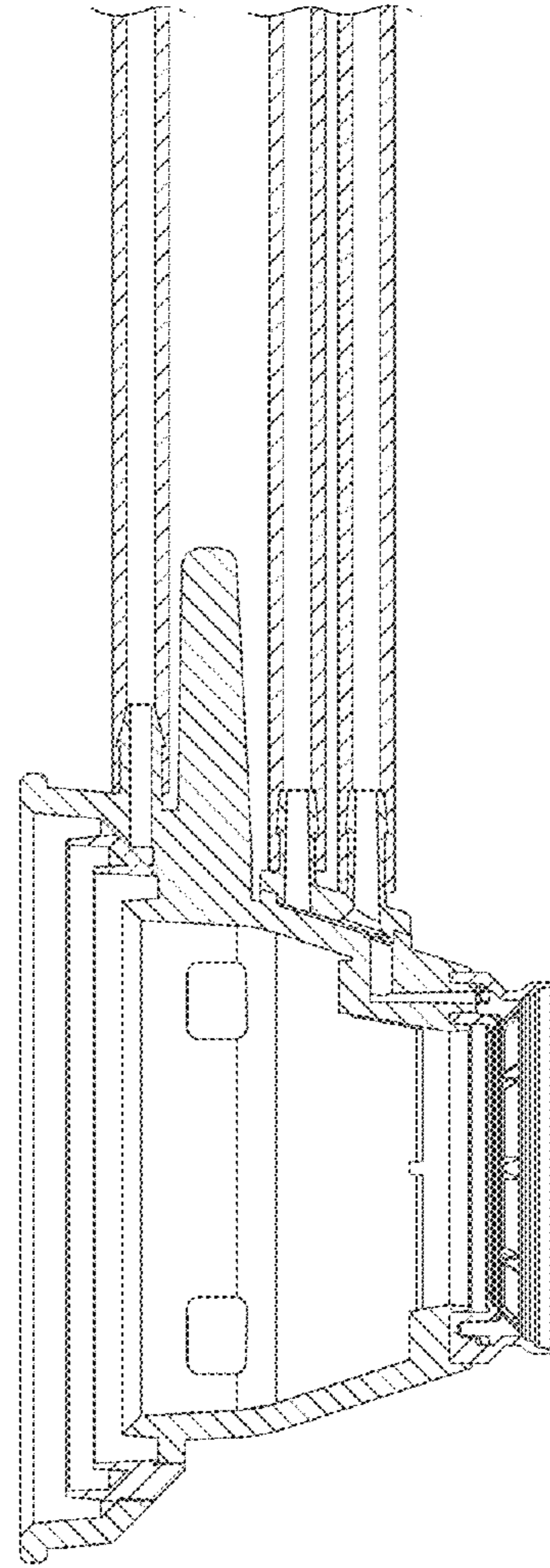


Fig. 5

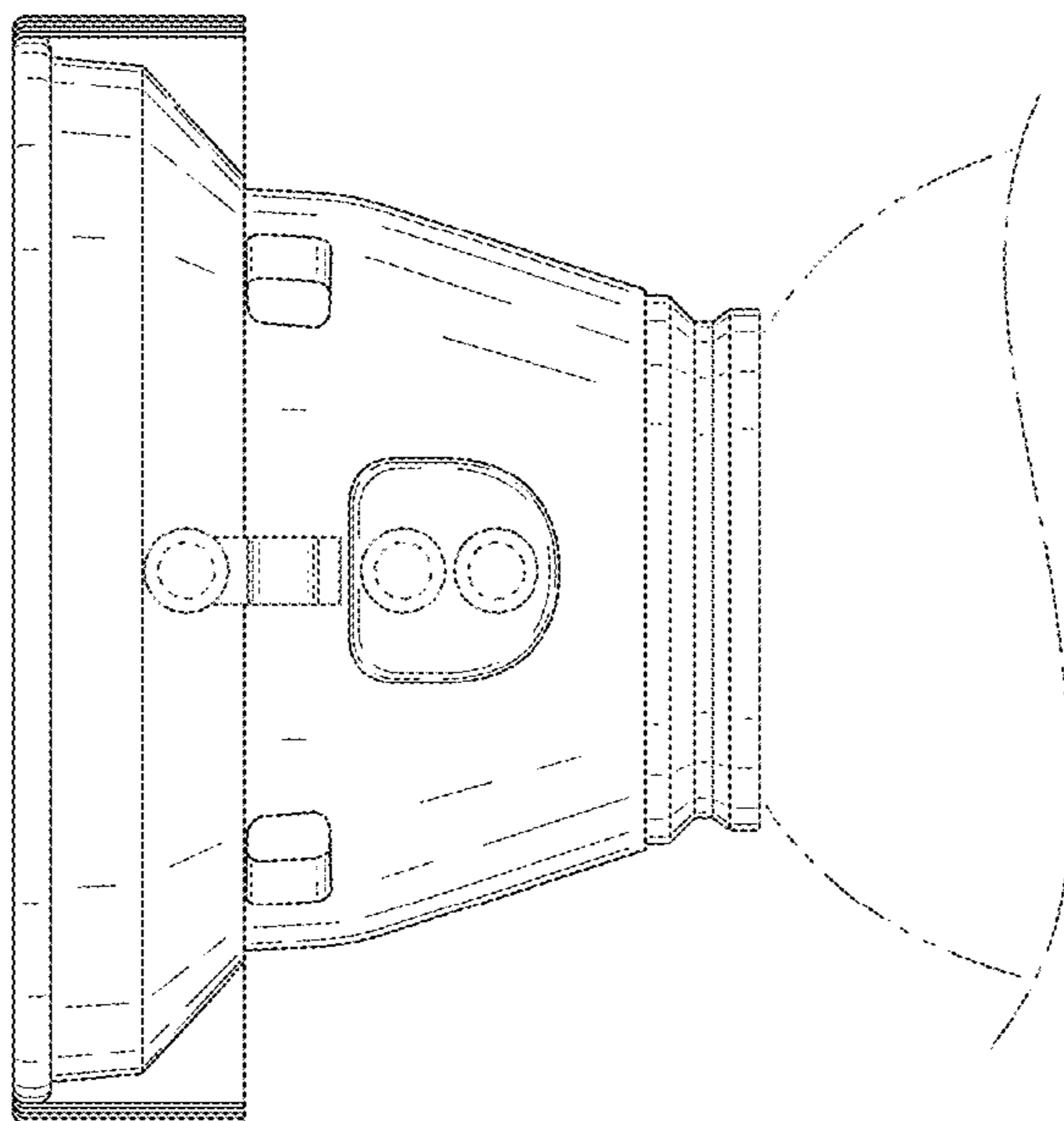


Fig. 4

