



US00D748268S

(12) **United States Design Patent**
Billard et al.

(10) **Patent No.:** **US D748,268 S**
(45) **Date of Patent:** **** Jan. 26, 2016**

(54) **TRACER-CENTRER-BLOCKER FOR
OPHTHALMIC LENSES AND SPECTACLE
FRAMES**

(71) Applicant: **Essilor International (Compagnie
Générale d'Optique**

(72) Inventors: **Armand Billard, Paris (FR); Sébastien
Corre, Chessy (FR)**

(73) Assignee: **Essilor International (Compagnie
Générale d'Optique),
Charenton-le-Pont (FR)**

(**) Term: **14 Years**

(21) Appl. No.: **29/484,131**

(22) Filed: **Mar. 6, 2014**

(30) **Foreign Application Priority Data**

Sep. 6, 2013 (EM) 002304063

(51) **LOC (10) Cl.** **24-00**

(52) **U.S. Cl.**
USPC **D24/172**

(58) **Field of Classification Search**
USPC D24/172, 185; D10/46; D16/131;
451/390

CPC B24B 13/005
See application file for complete search history.

(56) **References Cited**

U.S. PATENT DOCUMENTS

D320,077 S * 9/1991 Koizumi D24/172
D325,782 S * 4/1992 Elie D24/172
D327,024 S * 6/1992 Elie D10/46
D327,126 S * 6/1992 Elie D24/172
D327,326 S * 6/1992 Elie D24/172

D330,769 S * 11/1992 Blaha et al. D24/172
D360,465 S * 7/1995 Niven D24/172
D390,662 S * 2/1998 Cooper D24/172
D390,663 S * 2/1998 Wolf et al. D24/172
D472,637 S * 4/2003 Cooper et al. D24/172
D589,622 S * 3/2009 Koest D24/172
D595,327 S * 6/2009 Okada et al. D16/131
2015/0024664 A1 * 1/2015 Brechemier 451/390

* cited by examiner

Primary Examiner — Holly Baynham

Assistant Examiner — Rhea Shields

(74) *Attorney, Agent, or Firm* — Gardere Wynne Sewell LLP

(57) **CLAIM**

The ornamental design for a tracer-centrer-blocker for ophthalmic lenses and spectacle frames, as shown and described.

DESCRIPTION

FIG. 1 is a front perspective view of a tracer-centrer-blocker for ophthalmic lenses and spectacle frames in accordance with the invention;

FIG. 2 is a front view of the tracer-centrer-blocker for ophthalmic lenses and spectacle frames shown in FIG. 1;

FIG. 3 is a rear view of the tracer-centrer-blocker for ophthalmic lenses and spectacle frames shown in FIG. 1;

FIG. 4 is a right side view of the tracer-centrer-blocker for ophthalmic lenses and spectacle frames shown in FIG. 1;

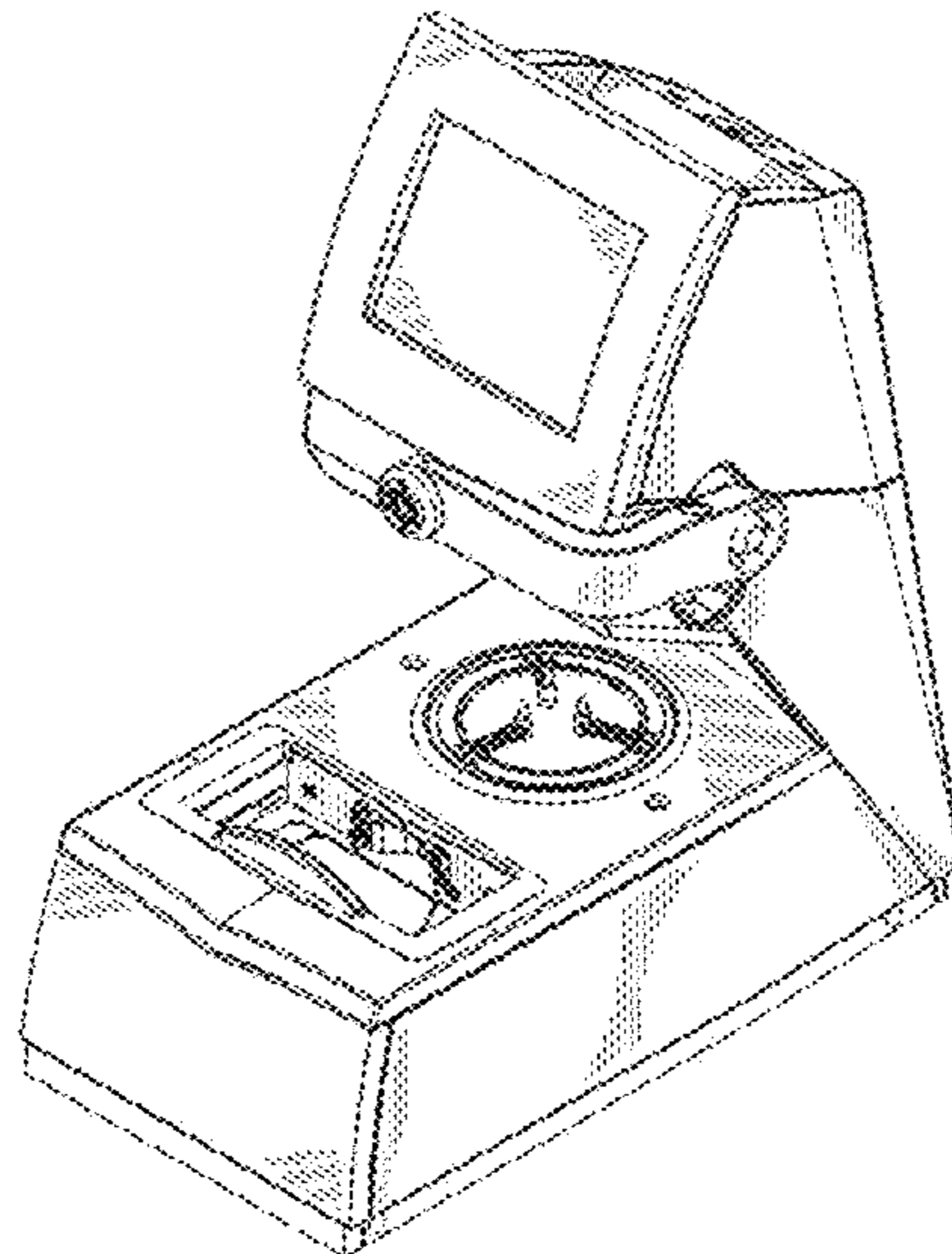
FIG. 5 is a left side view of the tracer-centrer-blocker for ophthalmic lenses and spectacle frames shown in FIG. 1;

FIG. 6 is a top view of the tracer-centrer-blocker for ophthalmic lenses and spectacle frames shown in FIG. 1; and,

FIG. 7 is a bottom view of the tracer-centrer-blocker for ophthalmic lenses and spectacle frames shown in FIG. 1.

The overall shape and appearance are believed to be evident from the drawings shown. Broken lines in the drawings are for illustrative purposes only, showing the environment, and form no part of the claimed design.

1 Claim, 7 Drawing Sheets



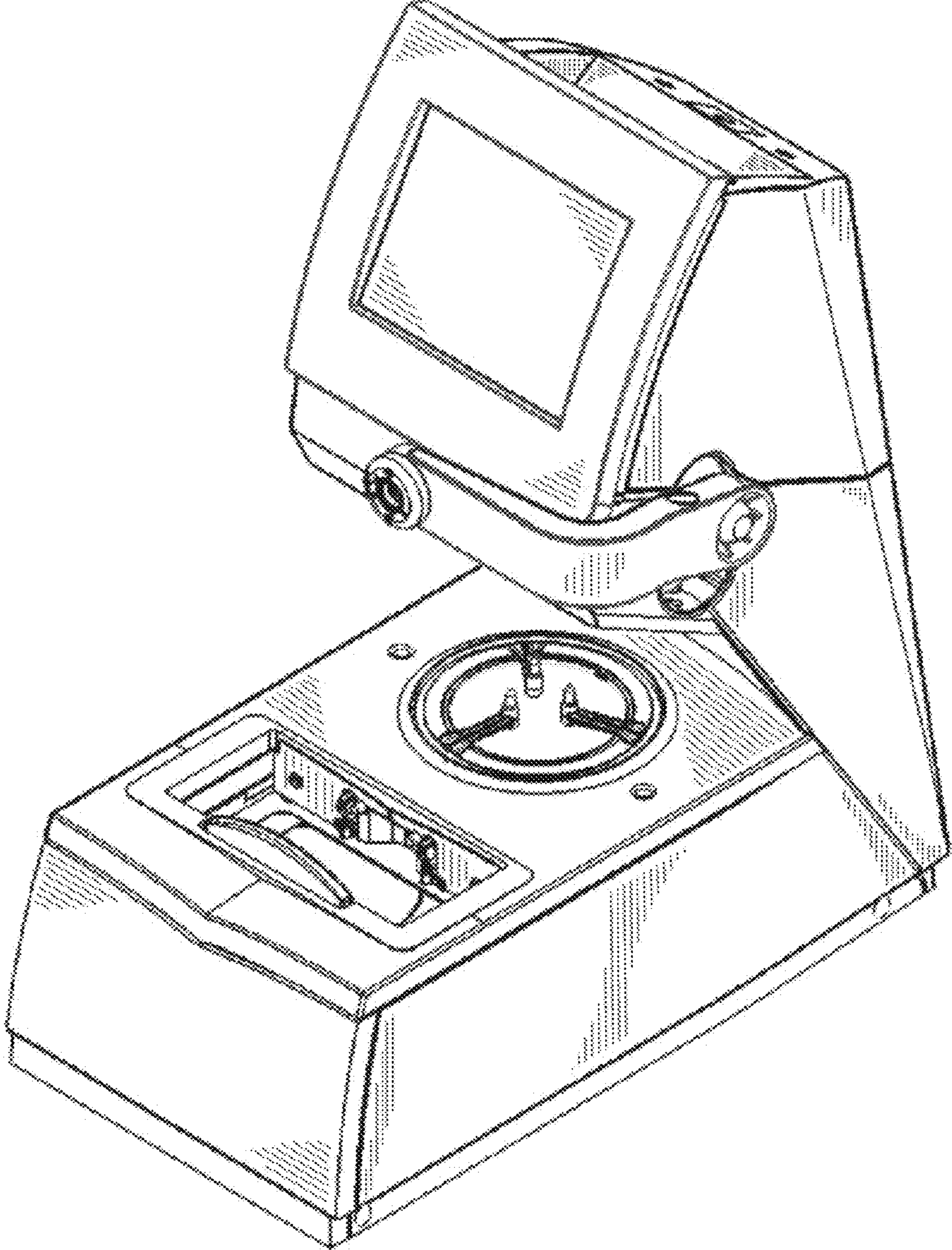


FIG. 1

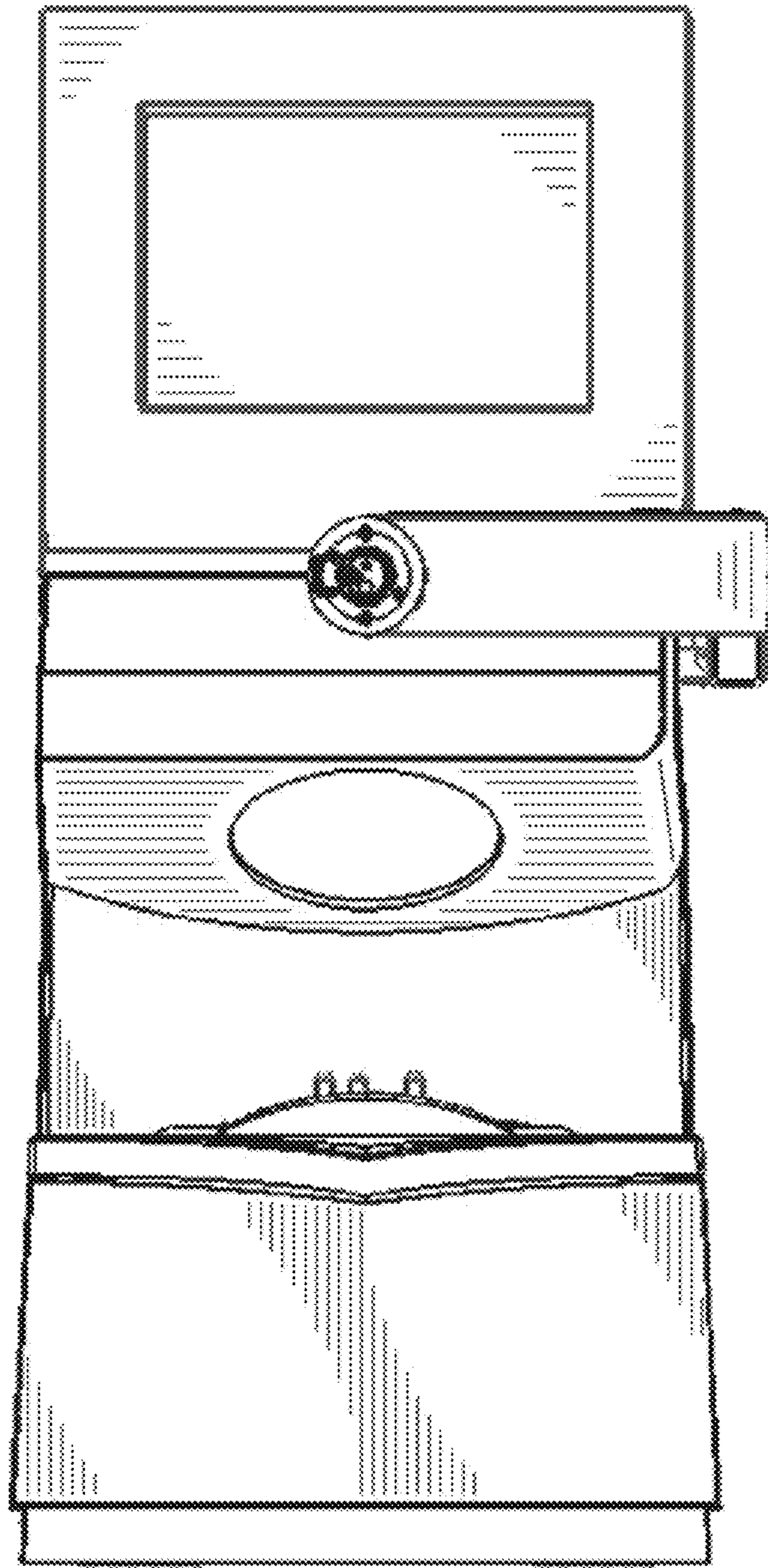


FIG. 2

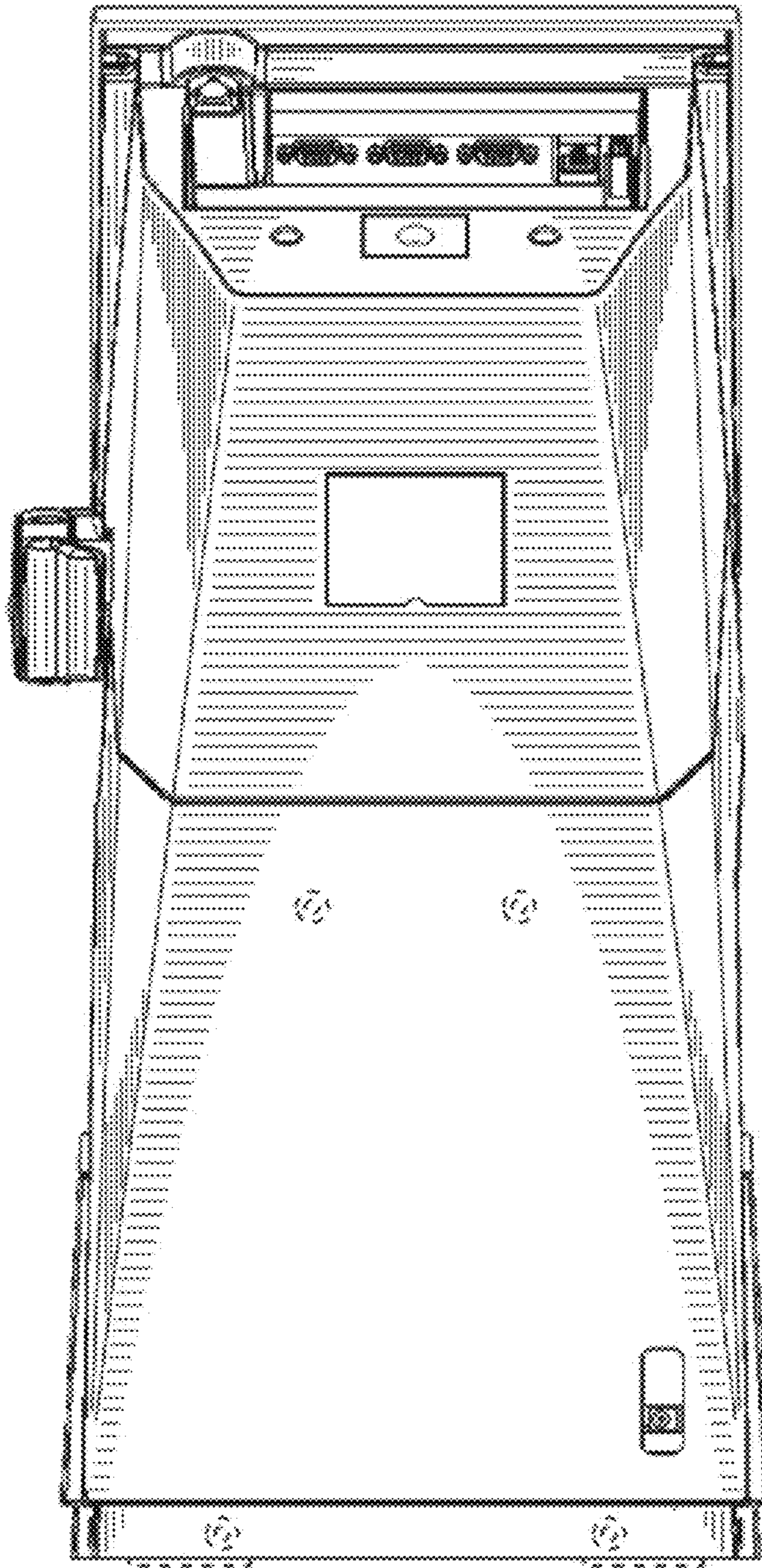


FIG. 3

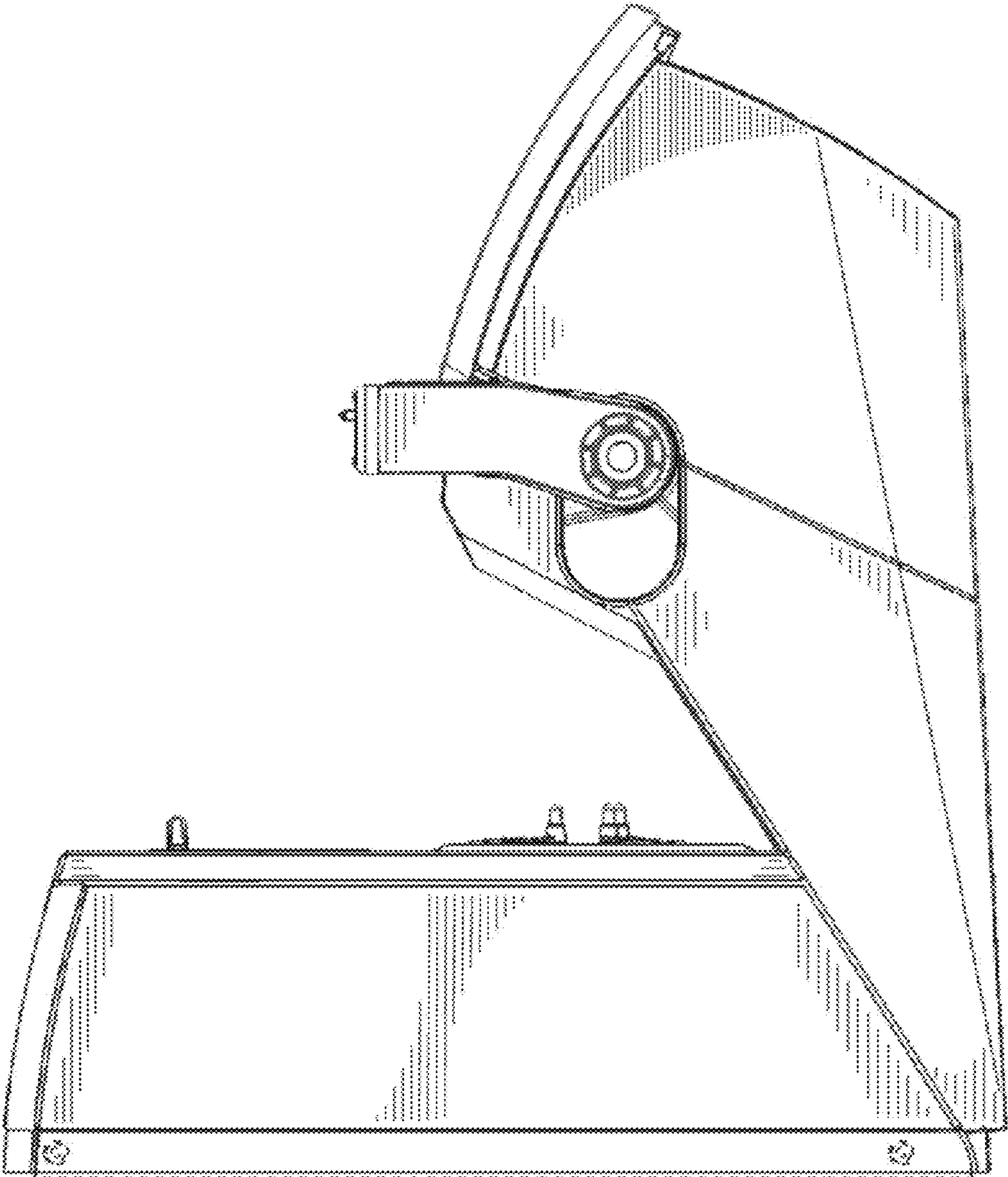


FIG. 4

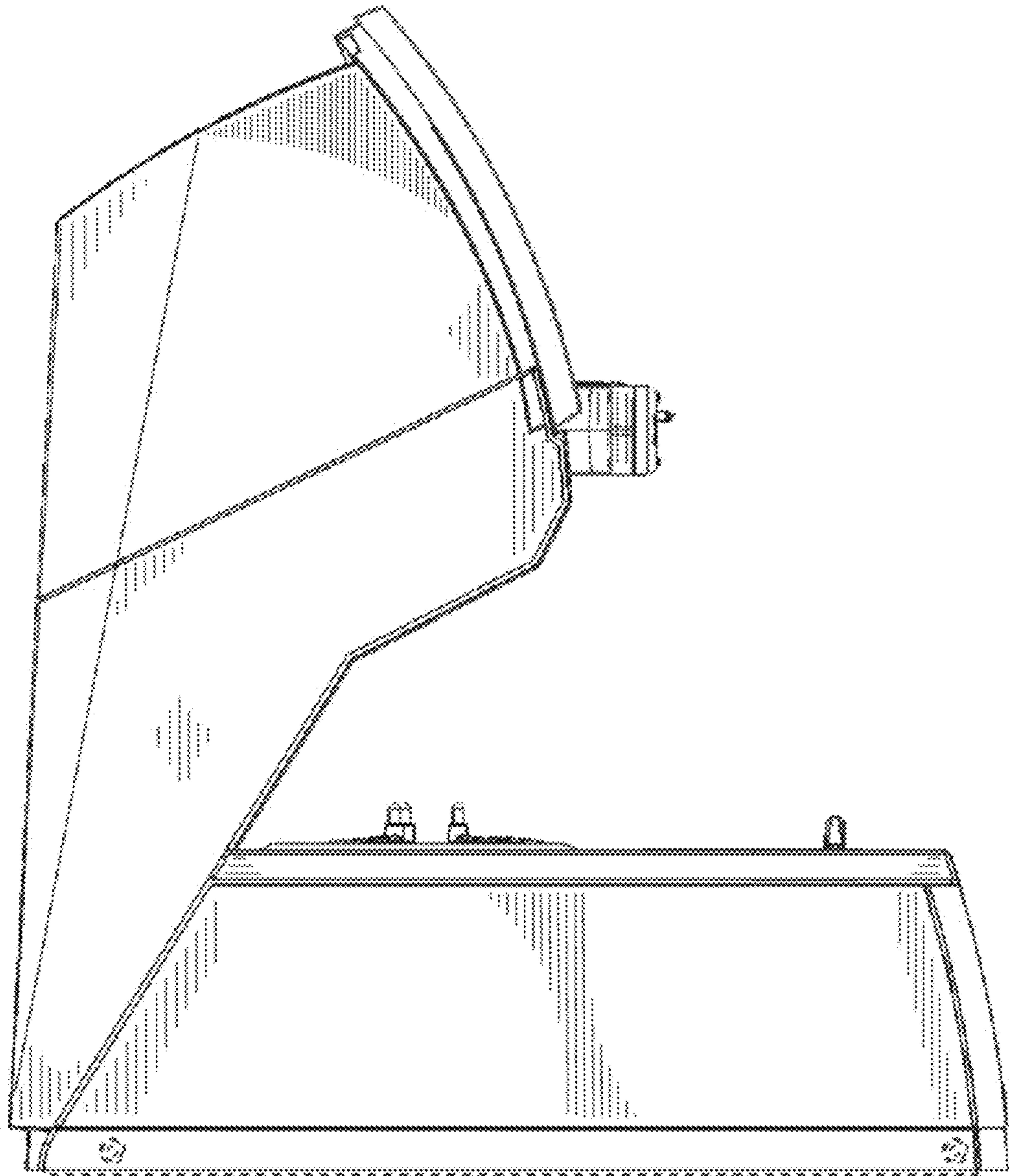


FIG. 5

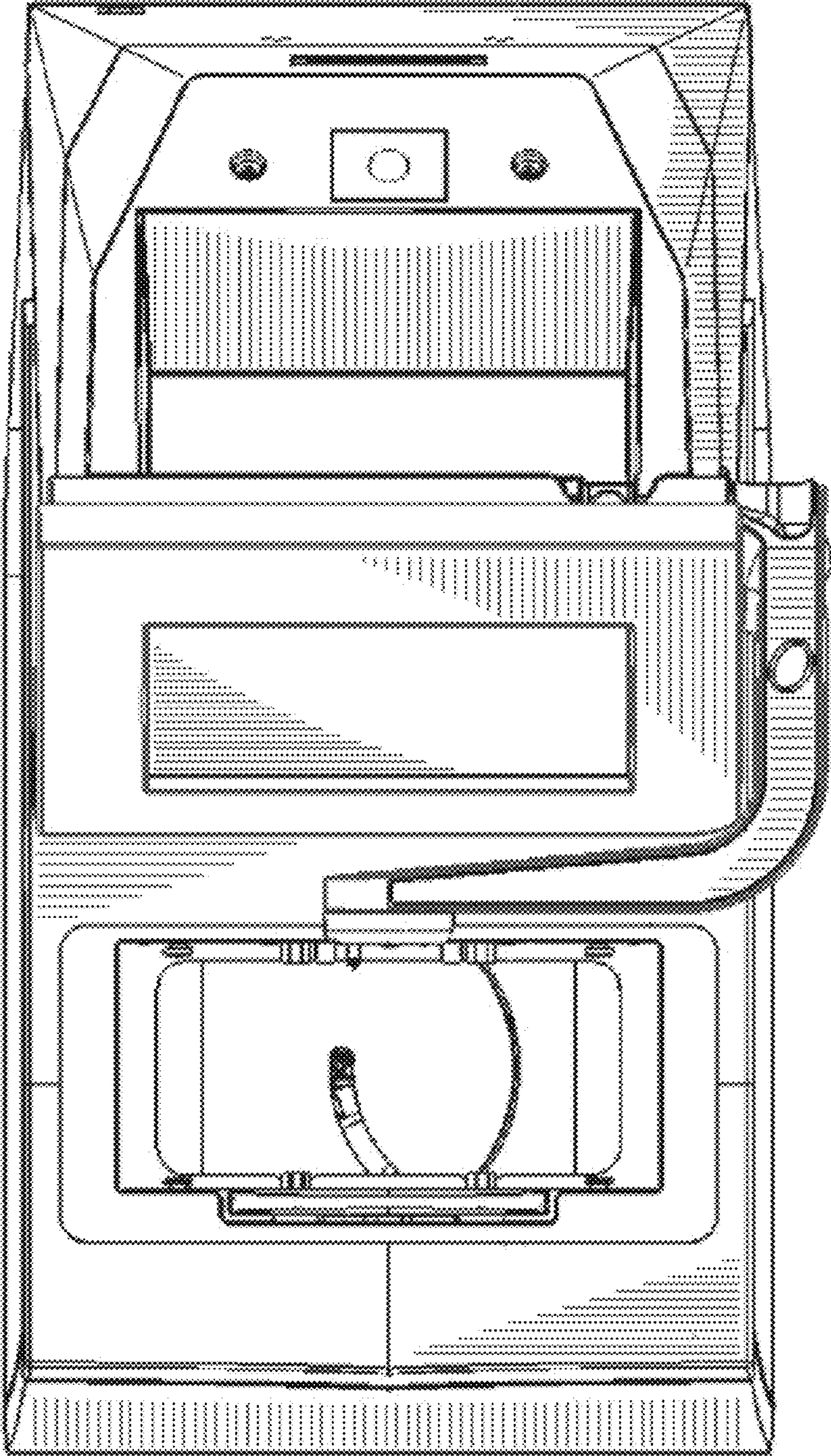


FIG. 6

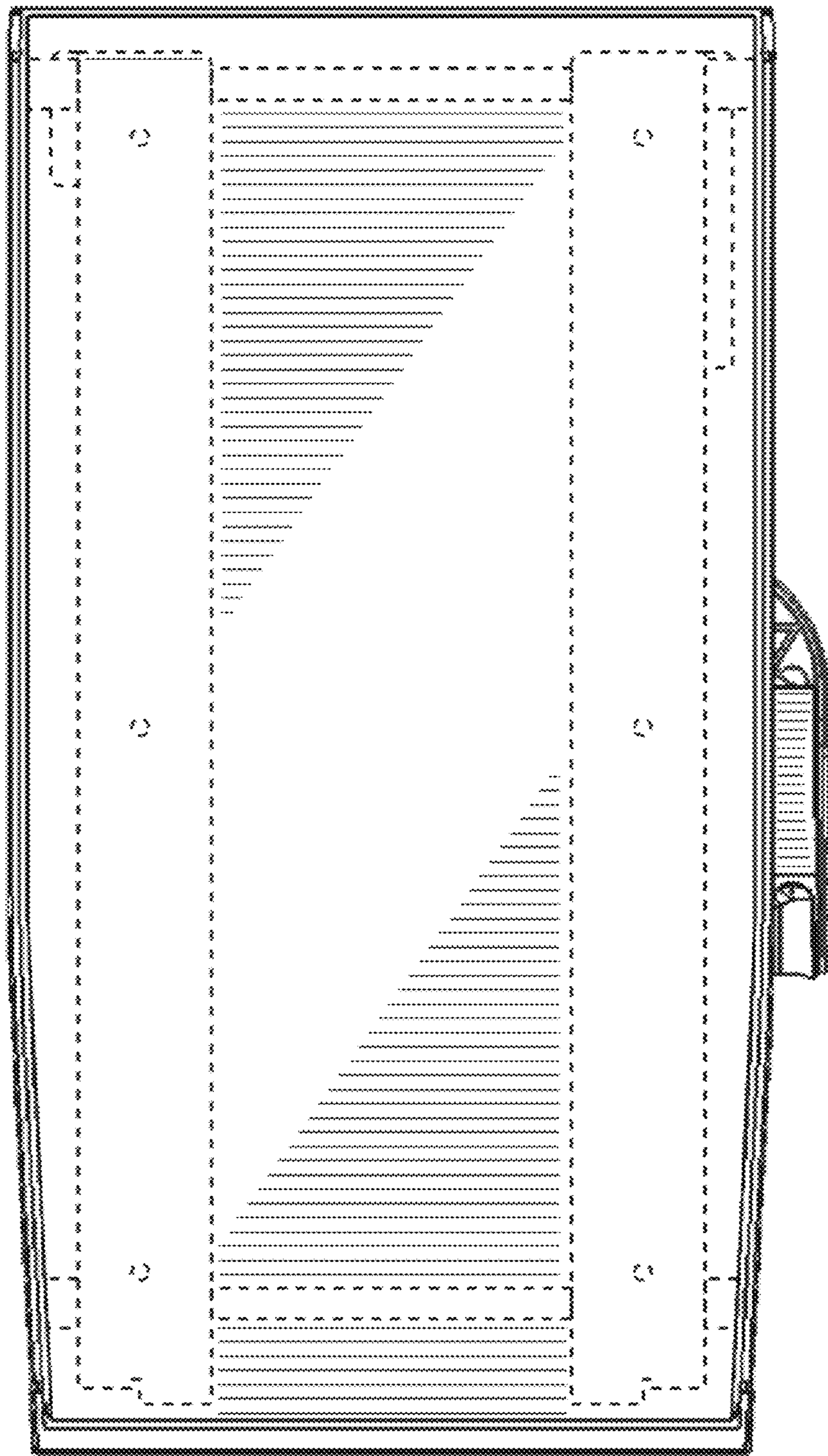


FIG. 7