



US00D748259S

(12) **United States Design Patent**
Okihisa et al.

(10) **Patent No.:** **US D748,259 S**
(45) **Date of Patent:** **** Jan. 26, 2016**

(54) **ELECTROSURGICAL INSTRUMENT**
(71) Applicant: **Applied Medical Resources Corporation**, Rancho Santa Margarita, CA (US)
(72) Inventors: **David Okihisa**, Rancho Santa Margarita, CA (US); **Duy Nguyen**, Rancho Santa Margarita, CA (US); **Kent Wilson**, Rancho Santa Margarita, CA (US); **Ryan Pope**, Rancho Santa Margarita, CA (US); **Mark Leroux**, Rancho Santa Margarita, CA (US); **Patrick Elliott**, Rancho Santa Margarita, CA (US); **Jeremy Albrecht**, Rancho Santa Margarita, CA (US)

728,883 A	5/1903	Downes
1,586,645 A	6/1926	Bierman
1,935,289 A	4/1933	Evans
2,002,594 A	5/1935	Wappler et al.
2,031,682 A	2/1936	Wappler et al.
2,113,246 A	4/1938	Wappler
2,176,479 A	10/1939	Willis
2,305,156 A	4/1941	Grubel
2,632,661 A	3/1953	Cristofv
2,827,056 A	3/1958	Degelman
3,085,566 A	4/1963	Tolles
3,459,187 A	8/1969	Pallotta
3,494,363 A	2/1970	Jackson
3,588,710 A	6/1971	Masters
3,651,811 A	3/1972	Hildebrandt et al.
3,685,518 A	8/1972	Beuerle et al.
3,780,416 A	12/1973	Rider
3,826,263 A	7/1974	Cage
3,911,766 A	10/1975	Fridolph
3,920,021 A	11/1975	Hiltebrandt
3,938,527 A	2/1976	Rioux
3,963,030 A	6/1976	Newton
3,970,088 A	7/1976	Morrison
3,980,085 A	9/1976	Ikuno
3,987,795 A	10/1976	Morrison

(73) Assignee: **Applied Medical Resources Corporation**, Rancho Santa Margarita, CA (US)
(**) Term: **14 Years**

(Continued)

(21) Appl. No.: **29/513,261**
(22) Filed: **Dec. 29, 2014**
(51) **LOC (10) Cl.** **24-02**
(52) **U.S. Cl.**
USPC **D24/144**
(58) **Field of Classification Search**
USPC D24/133, 143-148; 606/45, 49-51, 606/205-207
CPC A61B 18/1445; A61B 2018/00601; A61B 18/1442; A61B 17/29; A61B 17/295; A61B 17/285
See application file for complete search history.

Primary Examiner — Wan Laymon
(74) Attorney, Agent, or Firm — Patrick Y. Ikehara

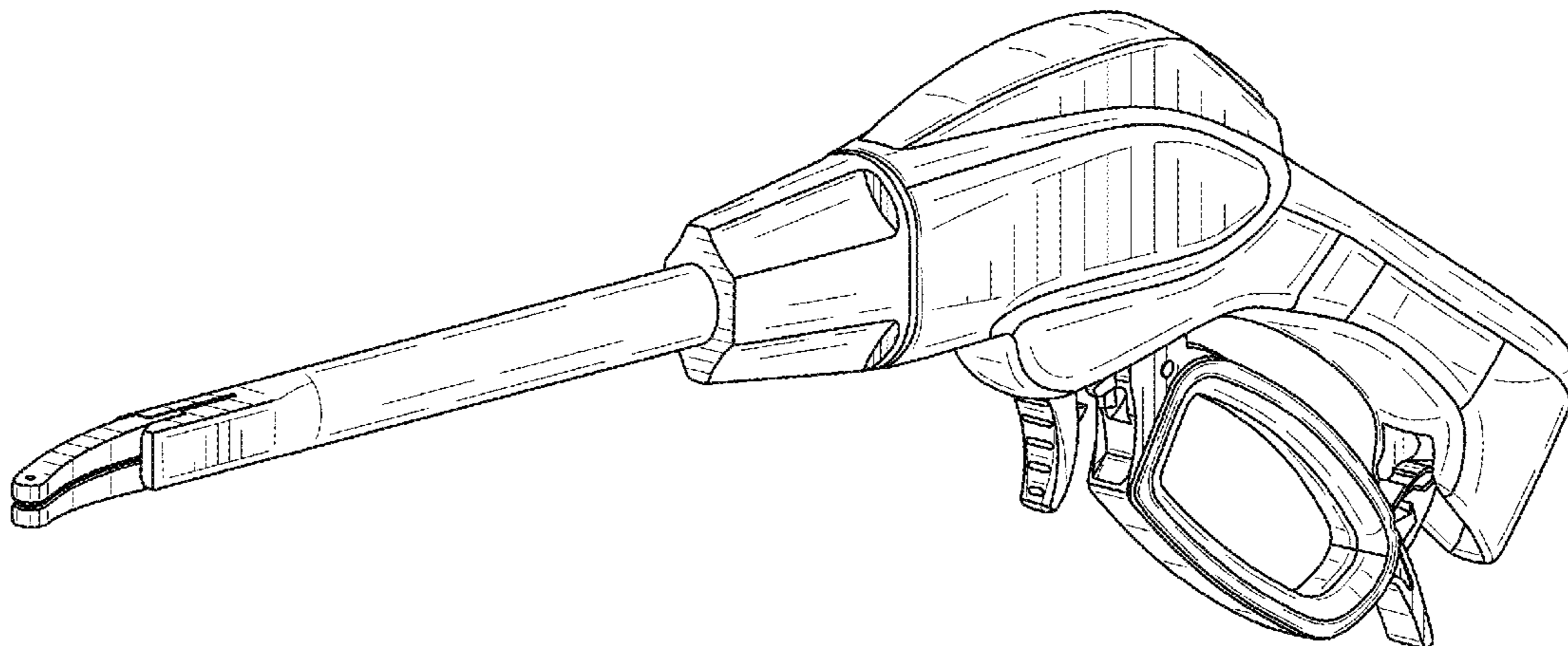
(57) **CLAIM**
The ornamental design for an electrosurgical instrument, as shown and described.

DESCRIPTION

FIG. 1 is a perspective view of an electrosurgical instrument showing our new design.
FIG. 2 is a left side elevational view thereof.
FIG. 3 is a top plan view thereof.
FIG. 4 is a front elevational view thereof.
FIG. 5 is a right side elevational view thereof.
FIG. 6 is a rear elevational view thereof; and,
FIG. 7 is a bottom plan view thereof.

(56) **References Cited**
U.S. PATENT DOCUMENTS
371,664 A 10/1887 Brannan et al.
702,472 A 6/1902 Pignolet

1 Claim, 3 Drawing Sheets



(56)

References Cited

U.S. PATENT DOCUMENTS

4,030,501 A	6/1977	Archibald	4,942,313 A	7/1990	Kinzel
4,041,952 A	8/1977	Morrison, Jr. et al.	4,958,539 A	9/1990	Stasz et al.
4,043,342 A	8/1977	Morrison	4,969,067 A	11/1990	James
4,074,718 A	2/1978	Morrison, Jr.	4,969,885 A	11/1990	Farin
4,089,336 A	5/1978	Cage	4,976,711 A	12/1990	Parins et al.
4,092,986 A	6/1978	Schneiderman	5,007,908 A	4/1991	Rydell
4,094,320 A	6/1978	Newton et al.	5,013,312 A	5/1991	Parins et al.
4,114,623 A	9/1978	Meinke	5,015,227 A	5/1991	Broadwin et al.
4,126,137 A	11/1978	Archibald	5,016,521 A	5/1991	Haka
4,154,240 A	5/1979	Ikuno	5,026,370 A	6/1991	Lottick
4,171,700 A	10/1979	Farin	5,026,371 A	6/1991	Rydell et al.
4,181,131 A	1/1980	Ogiu	5,035,696 A	7/1991	Rydell
4,188,927 A	2/1980	Harris	5,038,109 A	8/1991	Goble et al.
4,196,734 A	4/1980	Harris	5,047,026 A	9/1991	Rydell
4,198,957 A	4/1980	Cage et al.	5,047,027 A	9/1991	Rydell
4,198,960 A	4/1980	Utsugi	5,052,402 A	10/1991	Bencini et al.
4,200,104 A	4/1980	Harris	5,057,107 A	10/1991	Parins et al.
4,231,372 A	11/1980	Newton	5,061,269 A	10/1991	Muller
4,237,887 A	12/1980	Gonser	5,062,031 A	10/1991	Flachenecker et al.
4,244,371 A	1/1981	Farin	5,071,419 A	12/1991	Rydell et al.
4,325,374 A	4/1982	Komiya	5,078,717 A	1/1992	Parins et al.
4,331,149 A	5/1982	Gonser	5,083,565 A	1/1992	Parins
4,338,940 A	7/1982	Ikuno	5,085,659 A	2/1992	Rydell
4,352,156 A	9/1982	Gyugyi	5,087,257 A	2/1992	Farin et al.
4,370,980 A	2/1983	Lottick	5,098,431 A	3/1992	Rydell
4,416,276 A	11/1983	Newton	5,116,332 A	5/1992	Lottick
4,416,277 A	11/1983	Newton et al.	5,122,137 A	6/1992	Lennox
4,427,014 A	1/1984	Bel	5,125,928 A	6/1992	Parins et al.
4,429,694 A	2/1984	McGreevy	5,127,412 A	7/1992	Cosmetto et al.
4,463,759 A	8/1984	Garito et al.	5,151,102 A	9/1992	Kamiyama et al.
4,487,489 A	12/1984	Takamatsu	5,158,561 A	10/1992	Rydell et al.
4,514,619 A	4/1985	Kugelman	5,160,343 A	11/1992	Brancel et al.
4,522,206 A	6/1985	Whipple et al.	5,167,658 A	12/1992	Ensslin
4,552,143 A	11/1985	Lottick	5,171,255 A	12/1992	Rydell
4,569,131 A	2/1986	Faulk et al.	5,171,311 A	12/1992	Rydell
4,569,345 A	2/1986	Manes et al.	5,190,517 A	3/1993	Klicek et al.
4,590,934 A	5/1986	Malis et al.	5,190,541 A	3/1993	Abele et al.
4,599,553 A	7/1986	Brennen et al.	5,192,280 A	3/1993	Parins
4,630,218 A	12/1986	Hurley	5,197,963 A	3/1993	Parins
4,632,109 A	12/1986	Paterson	5,197,964 A	3/1993	Parins
4,644,950 A	2/1987	Valli	5,201,732 A	4/1993	Parins et al.
4,651,280 A	3/1987	Chang et al.	5,217,457 A	6/1993	Delahuerge et al.
4,655,216 A	4/1987	Tischer	5,217,458 A	6/1993	Parins
4,657,018 A	4/1987	Hakky	5,234,427 A	8/1993	Ohtomo et al.
4,658,815 A	4/1987	Farin et al.	5,244,462 A	9/1993	Delahuerge et al.
4,658,819 A	4/1987	Harris et al.	5,246,440 A	9/1993	Van Noord
4,658,820 A	4/1987	Klicek	5,250,047 A	10/1993	Rydell
4,674,498 A	6/1987	Stasz	5,250,056 A	10/1993	Hasson
4,685,459 A	8/1987	Koch et al.	5,254,126 A	10/1993	Filipi et al.
4,699,146 A	10/1987	Sieverding	5,256,149 A	10/1993	Banik et al.
4,712,545 A	12/1987	Honkanen	5,258,006 A	11/1993	Rydell et al.
4,716,897 A	1/1988	Noguchi et al.	5,267,997 A	12/1993	Farin et al.
4,727,874 A	3/1988	Bowers	5,269,780 A	12/1993	Roos
4,739,759 A	4/1988	Rexroth et al.	5,273,524 A	12/1993	Fox et al.
4,741,334 A	5/1988	Imich	5,281,216 A	1/1994	Klicek
4,752,864 A	6/1988	Clappier	5,282,799 A	2/1994	Rydell
4,754,757 A	7/1988	Feucht	5,286,255 A	2/1994	Weber
4,788,977 A	12/1988	Farin et al.	5,290,286 A	3/1994	Parins
4,802,476 A	2/1989	Noerenberg et al.	5,300,070 A	4/1994	Gentelia et al.
4,818,954 A	4/1989	Flachenecker	5,304,190 A	4/1994	Reckelhoff et al.
4,827,927 A	5/1989	Newton	5,312,329 A	5/1994	Beaty et al.
4,848,335 A	7/1989	Manes	5,314,424 A	5/1994	Nicholas
4,850,353 A	7/1989	Stasz et al.	5,318,563 A	6/1994	Malis et al.
4,860,745 A	8/1989	Farin et al.	5,322,055 A	6/1994	Davison et al.
4,862,889 A	9/1989	Feucht	5,324,289 A	6/1994	Eggers
4,862,890 A	9/1989	Stasz et al.	D348,930 S	7/1994	Olson
4,872,456 A	10/1989	Hasson	5,330,471 A	7/1994	Eggers
4,887,612 A	12/1989	Esser et al.	5,334,183 A	8/1994	Wuchinich
4,889,722 A	12/1989	Sheffield et al.	5,338,317 A	8/1994	Hasson et al.
4,903,696 A	2/1990	Stasz et al.	5,341,807 A	8/1994	Nardella
4,905,691 A	3/1990	Rydell	5,341,815 A	8/1994	Cofone et al.
4,922,903 A	5/1990	Welch et al.	5,342,359 A	8/1994	Rydell
4,936,281 A	6/1990	Stasz	5,342,381 A	8/1994	Tidemand
4,937,254 A	6/1990	Sheffield et al.	5,352,222 A	10/1994	Rydell
4,938,761 A	7/1990	Ensslin	5,352,223 A	10/1994	McBrayer et al.
			5,354,313 A	10/1994	Boebel
			5,356,408 A	10/1994	Rydell
			5,370,645 A	12/1994	Klicek et al.
			5,372,124 A	12/1994	Takayama et al.

(56)

References Cited

U.S. PATENT DOCUMENTS

5,372,596 A	12/1994	Klicek et al.	5,584,830 A	12/1996	Ladd et al.
5,374,277 A	12/1994	Hassler	5,599,344 A	2/1997	Paterson
5,382,247 A	1/1995	Cimino et al.	5,599,350 A	2/1997	Schulze et al.
5,383,880 A	1/1995	Hovven	5,603,711 A	2/1997	Parins et al.
5,383,922 A	1/1995	Zipes et al.	D378,611 S	3/1997	Croley
5,387,196 A	2/1995	Green et al.	5,607,391 A	3/1997	Klinger et al.
5,387,197 A	2/1995	Smith et al.	5,609,151 A	3/1997	Mulier et al.
5,389,104 A	2/1995	Hahnen et al.	5,609,560 A	3/1997	Ichikawa et al.
5,389,849 A	2/1995	Asano et al.	5,609,573 A	3/1997	Sandock
5,391,166 A	2/1995	Eggers	5,611,709 A	3/1997	McAnulty
5,392,917 A	2/1995	Alpern et al.	5,613,966 A	3/1997	Makower et al.
5,400,267 A	3/1995	Denen	5,620,415 A	4/1997	Lucey et al.
5,403,312 A	4/1995	Yates et al.	5,620,447 A	4/1997	Smith et al.
5,403,342 A	4/1995	Tovey et al.	5,624,452 A	4/1997	Yates
5,405,344 A	4/1995	Williamson et al.	5,626,575 A	5/1997	Crenner
5,409,498 A	4/1995	Braddock et al.	5,626,607 A	5/1997	Malecki et al.
5,422,567 A	6/1995	Matsunaga	5,626,608 A	5/1997	Cuny et al.
5,423,808 A	6/1995	Edwards et al.	5,627,584 A	5/1997	Nishikori et al.
5,423,810 A	6/1995	Goble et al.	5,633,578 A	5/1997	Eggers et al.
5,431,638 A	7/1995	Hennig et al.	5,645,540 A	7/1997	Henniges et al.
5,431,649 A	7/1995	Mulier et al.	5,647,869 A	7/1997	Goble et al.
5,431,674 A	7/1995	Basile et al.	5,651,780 A	7/1997	Jackson et al.
5,432,459 A	7/1995	Thompson et al.	5,658,279 A	8/1997	Nardella et al.
5,436,566 A	7/1995	Thompson et al.	5,658,281 A	8/1997	Heard
5,437,664 A	8/1995	Cohen et al.	5,665,100 A	9/1997	Yoon
5,438,302 A	8/1995	Goble	5,665,105 A	9/1997	Furnish et al.
5,443,463 A	8/1995	Stern et al.	5,667,517 A	9/1997	Hooven
5,445,142 A	8/1995	Hassler, Jr.	5,669,907 A	9/1997	Platt, Jr. et al.
5,445,638 A	8/1995	Rydell et al.	5,674,184 A	10/1997	Hassler, Jr.
5,447,513 A	9/1995	Davison et al.	5,674,220 A	10/1997	Fox et al.
5,449,355 A	9/1995	Rhum et al.	5,683,349 A	11/1997	Makower et al.
5,456,684 A	10/1995	Schmidt et al.	5,688,270 A	11/1997	Yates et al.
5,458,598 A	10/1995	Feinberg et al.	5,693,045 A	12/1997	Eggers
5,460,182 A	10/1995	Goodman et al.	5,693,051 A	12/1997	Schulze et al.
5,462,546 A	10/1995	Rydell	5,695,494 A	12/1997	Becker
5,464,144 A	11/1995	Guy et al.	5,697,281 A	12/1997	Eggers et al.
5,472,439 A	12/1995	Hurd	5,697,909 A	12/1997	Eggers et al.
5,472,442 A	12/1995	Klicek	5,700,261 A	12/1997	Brinkerhoff
5,472,443 A	12/1995	Cordis et al.	5,702,386 A	12/1997	Stern et al.
5,472,451 A	12/1995	Freitas et al.	5,702,387 A	12/1997	Arts et al.
5,474,057 A	12/1995	Makower et al.	5,703,390 A	12/1997	Austin et al.
5,476,479 A	12/1995	Green et al.	5,707,369 A	1/1998	Vaitekunas et al.
5,478,351 A	12/1995	Meade et al.	5,709,680 A	1/1998	Yates et al.
5,486,185 A	1/1996	Freitas et al.	5,713,128 A	2/1998	Schrenk et al.
5,496,312 A	3/1996	Klicek	5,713,895 A	2/1998	Lontine et al.
5,496,317 A	3/1996	Goble et al.	5,713,896 A	2/1998	Nardella
5,499,992 A	3/1996	Meade et al.	5,720,742 A	2/1998	Zacharias
5,499,998 A	3/1996	Meade et al.	5,720,744 A	2/1998	Eggleston et al.
5,503,320 A	4/1996	Webster et al.	5,720,745 A	2/1998	Farin et al.
5,507,773 A	4/1996	Hutema et al.	5,722,659 A	3/1998	Gluth
5,509,916 A	4/1996	Taylor et al.	5,722,975 A	3/1998	Edwards et al.
5,514,129 A	5/1996	Smith	5,725,524 A	3/1998	Mulier et al.
5,514,134 A	5/1996	Rydell et al.	5,735,848 A	4/1998	Yates et al.
5,518,163 A	5/1996	Kupersmidt et al.	5,735,849 A	4/1998	Baden et al.
5,518,164 A	5/1996	Hooven	5,743,456 A	4/1998	Jones et al.
5,527,313 A	6/1996	Scott et al.	5,743,906 A	4/1998	Parins et al.
5,527,330 A	6/1996	Tovey	5,746,210 A	5/1998	Benaron et al.
5,531,744 A	7/1996	Nardella et al.	5,746,740 A	5/1998	Nicholas
5,540,681 A	7/1996	Strul et al.	5,746,759 A	5/1998	Meade et al.
5,540,684 A	7/1996	Hassler et al.	5,752,519 A	5/1998	Benaron et al.
5,540,685 A	7/1996	Parins et al.	5,755,717 A	5/1998	Yates et al.
5,541,376 A	7/1996	Ladtchow et al.	5,759,185 A	6/1998	Grinberg
5,551,945 A	9/1996	Yabe et al.	5,762,609 A	6/1998	Benaron et al.
5,558,429 A	9/1996	Cain	5,766,167 A	6/1998	Eggers et al.
5,558,671 A	9/1996	Yates	5,769,791 A	6/1998	Benaron et al.
5,562,699 A	10/1996	Heimberger et al.	5,769,841 A	6/1998	Odell et al.
5,562,700 A	10/1996	Huitema et al.	5,772,597 A	6/1998	Goldberger et al.
5,571,100 A	11/1996	Goble et al.	5,772,660 A	6/1998	Young et al.
5,571,121 A	11/1996	Heifetz	5,776,092 A	7/1998	Farin et al.
5,573,424 A	11/1996	Poppe	5,776,129 A	7/1998	Mersch
5,573,533 A	11/1996	Strul	5,776,130 A	7/1998	Buysse et al.
5,573,534 A	11/1996	Stone	5,776,155 A	7/1998	Beaupre et al.
5,573,535 A	11/1996	Viklund	5,782,397 A	7/1998	Koukline
5,575,789 A	11/1996	Bell et al.	5,785,658 A	7/1998	Benaron et al.
5,575,805 A	11/1996	Li	5,792,139 A	8/1998	Chambers et al.
			5,792,178 A	8/1998	Welch et al.
			5,797,906 A	8/1998	Rhum et al.
			5,797,938 A	8/1998	Paraschac et al.
			5,797,941 A	8/1998	Schulze

(56)

References Cited

U.S. PATENT DOCUMENTS

5,800,449 A	9/1998	Wales	6,015,406 A	1/2000	Goble et al.
5,807,261 A	9/1998	Benaron et al.	6,016,809 A	1/2000	Mulier et al.
5,807,393 A	9/1998	Williamson, IV et al.	D420,741 S	2/2000	Croley
5,807,395 A	9/1998	Mulier et al.	6,024,741 A	2/2000	Williamson, IV et al.
5,810,806 A	9/1998	Ritchart et al.	6,024,744 A	2/2000	Kese et al.
5,810,811 A	9/1998	Yates et al.	6,027,501 A	2/2000	Goble et al.
5,810,859 A	9/1998	Dimatteo et al.	6,027,522 A	2/2000	Palmer
5,817,091 A	10/1998	Nardella et al.	6,030,384 A	2/2000	Nezhat
5,817,093 A	10/1998	Williamson, IV et al.	6,030,402 A	2/2000	Thompson et al.
5,817,119 A	10/1998	Klieman et al.	6,033,399 A	3/2000	Gines
5,827,271 A	10/1998	Buysse et al.	6,033,404 A	3/2000	Melzer et al.
5,827,279 A	10/1998	Hughett et al.	6,036,657 A	3/2000	Milliman et al.
5,827,299 A	10/1998	Thomason et al.	6,039,733 A	3/2000	Buysse et al.
5,830,231 A	11/1998	Geiges, Jr.	6,039,734 A	3/2000	Goble
5,833,690 A	11/1998	Yates et al.	6,039,736 A	3/2000	Platt, Jr.
5,836,942 A	11/1998	Netherly et al.	6,050,996 A	4/2000	Schmaltz et al.
5,836,943 A	11/1998	Miller, III	6,051,010 A	4/2000	Dimatteo et al.
5,846,194 A	12/1998	Wasson et al.	6,053,914 A	4/2000	Eggers et al.
5,849,020 A	12/1998	Long et al.	6,056,746 A	5/2000	Goble et al.
5,853,412 A	12/1998	Mayenberger	6,063,050 A	5/2000	Manna et al.
5,860,975 A	1/1999	Goble et al.	6,063,075 A	5/2000	Mohori
5,873,873 A	2/1999	Smith et al.	6,063,081 A	5/2000	Mulier et al.
5,876,398 A	3/1999	Mulier et al.	6,063,086 A	5/2000	Benecke et al.
5,876,401 A	3/1999	Schulze et al.	6,066,139 A	5/2000	Ryan et al.
5,885,277 A	3/1999	Korth	6,068,627 A	5/2000	Orszulak et al.
5,891,095 A	4/1999	Eggers et al.	6,068,647 A	5/2000	Witt et al.
5,891,141 A	4/1999	Rydell	6,070,444 A	6/2000	Lontine et al.
5,891,142 A	4/1999	Eggers et al.	6,074,386 A	6/2000	Goble et al.
5,893,835 A	4/1999	Witt et al.	RE36,795 E	7/2000	Rydell
5,893,873 A	4/1999	Rader et al.	6,083,191 A	7/2000	Rose
5,897,490 A	4/1999	Fox et al.	6,086,586 A	7/2000	Hooven
5,897,523 A	4/1999	Wright et al.	6,090,106 A	7/2000	Goble et al.
5,897,553 A	4/1999	Mulier et al.	6,090,120 A	7/2000	Wright et al.
5,897,569 A	4/1999	Kellogg et al.	6,092,722 A	7/2000	Heinrichs et al.
5,902,264 A	5/1999	Toso et al.	6,093,186 A	7/2000	Goble
5,902,301 A	5/1999	Olig	6,096,037 A	8/2000	Mulier et al.
5,906,613 A	5/1999	Mulier et al.	6,106,521 A	8/2000	Blewett et al.
5,908,402 A	6/1999	Blythe	6,109,268 A	8/2000	Thapliyal et al.
5,908,420 A	6/1999	Parins et al.	6,110,171 A	8/2000	Rydell
5,910,152 A	6/1999	Bays	6,113,591 A	9/2000	Whayne et al.
5,928,137 A	7/1999	Green	6,113,594 A	9/2000	Savage
5,928,255 A	7/1999	Meade et al.	6,113,596 A	9/2000	Hooven et al.
5,928,256 A	7/1999	Riza	6,113,598 A	9/2000	Baker
5,931,836 A	8/1999	Hatta et al.	6,117,152 A	9/2000	Huitema
5,935,126 A	8/1999	Riza	6,120,501 A	9/2000	Long et al.
5,938,633 A	8/1999	Beaupre	H1904 H	10/2000	Yates
5,944,715 A	8/1999	Goble et al.	6,132,429 A	10/2000	Baker
5,944,718 A	8/1999	Austin et al.	6,135,998 A	10/2000	Palanker
5,944,737 A	8/1999	Tsonton et al.	6,139,519 A	10/2000	Blythe
5,947,284 A	9/1999	Foster	6,139,547 A	10/2000	Lontine et al.
5,947,984 A	9/1999	Whipple	6,142,992 A	11/2000	Cheng et al.
5,951,552 A	9/1999	Long et al.	6,152,923 A	11/2000	Ryan
5,954,736 A	9/1999	Bishop et al.	6,159,146 A	12/2000	El Gazayerli
5,954,746 A	9/1999	Holthaus et al.	6,162,235 A	12/2000	Vaitekunas
5,957,943 A	9/1999	Vaitekunas	6,165,175 A	12/2000	Wampler et al.
5,961,514 A	10/1999	Long et al.	6,168,605 B1	1/2001	Measamer et al.
5,968,062 A	10/1999	Thomas et al.	6,171,304 B1	1/2001	Netherly et al.
5,968,074 A	10/1999	Prestel	6,174,308 B1	1/2001	Goble et al.
5,976,077 A	11/1999	Wittens et al.	6,174,309 B1	1/2001	Wrublewski et al.
5,976,128 A	11/1999	Schilling et al.	6,179,834 B1	1/2001	Buysse et al.
5,980,510 A	11/1999	Tsonton et al.	6,186,147 B1	2/2001	Cobb
5,980,516 A	11/1999	Mulier et al.	6,187,003 B1	2/2001	Buysse et al.
5,984,921 A	11/1999	Long et al.	6,187,026 B1	2/2001	Devlin et al.
5,987,346 A	11/1999	Benaron et al.	6,190,383 B1	2/2001	Schmaltz et al.
5,993,380 A	11/1999	Yabe et al.	6,190,385 B1	2/2001	Tom et al.
5,993,447 A	11/1999	Blewett et al.	6,190,386 B1	2/2001	Rydell
5,995,875 A	11/1999	Blewett et al.	6,193,129 B1	2/2001	Bittner et al.
5,997,533 A	12/1999	Kuhns	6,193,653 B1	2/2001	Evans et al.
6,003,517 A	12/1999	Sheffield et al.	6,193,713 B1	2/2001	Geistert et al.
6,004,319 A	12/1999	Goble et al.	6,197,026 B1	3/2001	Farin et al.
6,004,335 A	12/1999	Vaitekunas et al.	6,203,541 B1	3/2001	Keppel
6,010,499 A	1/2000	Cobb	6,206,823 B1	3/2001	Kolata et al.
6,010,516 A	1/2000	Hulka	6,206,844 B1	3/2001	Reichel et al.
6,012,909 A	1/2000	Sloteman et al.	6,206,875 B1	3/2001	Long et al.
6,013,076 A	1/2000	Goble et al.	6,206,877 B1	3/2001	Kese et al.
			6,210,403 B1	4/2001	Klicek
			6,210,405 B1	4/2001	Goble et al.
			6,214,003 B1	4/2001	Morgan et al.
			6,214,023 B1	4/2001	Whipple et al.

(56)

References Cited

U.S. PATENT DOCUMENTS

6,228,023 B1	5/2001	Zaslavsky et al.	6,402,748 B1	6/2002	Schoenman et al.
6,228,055 B1	5/2001	Foerster et al.	6,406,475 B1	6/2002	Wenzler et al.
6,228,080 B1	5/2001	Gines	6,409,722 B1	6/2002	Hoey et al.
6,228,081 B1	5/2001	Goble	6,409,724 B1	6/2002	Penny et al.
6,228,083 B1	5/2001	Lands et al.	6,409,728 B1	6/2002	Ehr et al.
6,234,178 B1	5/2001	Goble et al.	6,416,486 B1	7/2002	Wampler
6,237,604 B1	5/2001	Burnside et al.	6,416,509 B1	7/2002	Goble et al.
6,238,366 B1	5/2001	Savage et al.	6,417,687 B1	7/2002	Heinrich
6,238,392 B1	5/2001	Long	6,423,082 B1	7/2002	Houser et al.
6,238,393 B1	5/2001	Mulier et al.	6,432,118 B1	8/2002	Messerly
6,242,741 B1	6/2001	Miller et al.	6,436,096 B1	8/2002	Hareyama
6,246,912 B1	6/2001	Sluijter et al.	6,440,130 B1	8/2002	Mulier et al.
6,251,106 B1	6/2001	Becker et al.	6,443,952 B1	9/2002	Mulier et al.
6,251,110 B1	6/2001	Wampler	6,443,968 B1	9/2002	Holthaus et al.
6,254,623 B1	7/2001	Haibel et al.	6,443,970 B1	9/2002	Schulze et al.
6,257,241 B1	7/2001	Wampler	6,451,013 B1	9/2002	Bays et al.
6,258,085 B1	7/2001	Eggleston	6,451,018 B1	9/2002	Lands et al.
6,261,286 B1	7/2001	Goble et al.	6,454,764 B1	9/2002	Fleenor et al.
6,267,761 B1	7/2001	Ryan	6,454,781 B1	9/2002	Witt et al.
6,270,497 B1	8/2001	Sekino et al.	6,454,782 B1	9/2002	Schwemberger
6,273,862 B1	8/2001	Privitera et al.	6,458,078 B1	10/2002	Luedtke et al.
6,277,114 B1	8/2001	Bullivant et al.	6,458,128 B1	10/2002	Schulze
6,277,115 B1	8/2001	Saadat	6,458,130 B1	10/2002	Frazier et al.
6,277,117 B1	8/2001	Tetzlaff et al.	6,458,142 B1	10/2002	Faller et al.
6,280,398 B1	8/2001	Ritchart et al.	6,461,352 B2	10/2002	Morgan et al.
6,280,407 B1	8/2001	Manna et al.	6,464,689 B1	10/2002	Qin et al.
6,280,441 B1	8/2001	Ryan	6,464,702 B2	10/2002	Schulze et al.
6,283,963 B1	9/2001	Regula	6,464,704 B2	10/2002	Schmaltz et al.
6,287,344 B1	9/2001	Wampler	6,468,275 B1	10/2002	Wampler et al.
6,293,942 B1	9/2001	Goble et al.	6,468,286 B2	10/2002	Mastri et al.
6,293,945 B1	9/2001	Parins et al.	6,475,217 B1	11/2002	Platt
6,296,637 B1	10/2001	Thorne et al.	6,478,030 B1	11/2002	Shaoeton et al.
6,296,640 B1	10/2001	Wampler et al.	6,482,202 B1	11/2002	Goble et al.
6,298,550 B1	10/2001	Kirwan, Jr.	6,485,490 B2	11/2002	Wampler et al.
6,302,903 B1	10/2001	Mulier et al.	6,488,507 B1	12/2002	Stoloff et al.
6,306,131 B1	10/2001	Hareyama et al.	6,488,680 B1	12/2002	Francischelli et al.
6,306,134 B1	10/2001	Goble et al.	6,491,690 B1	12/2002	Goble et al.
6,308,089 B1	10/2001	von der Ruhr et al.	6,491,708 B2	12/2002	Madan et al.
6,309,400 B2	10/2001	Beaupre	6,493,589 B1	12/2002	Medhkour et al.
6,312,426 B1	11/2001	Goldberg et al.	6,494,877 B2	12/2002	Odell et al.
6,315,777 B1	11/2001	Comben	6,494,902 B2	12/2002	Hoey et al.
6,319,221 B1	11/2001	Savage et al.	6,497,705 B2	12/2002	Comben
6,322,494 B1	11/2001	Bullivant et al.	6,500,176 B1	12/2002	Truckai et al.
6,322,561 B1	11/2001	Eggers et al.	6,500,188 B2	12/2002	Harper et al.
6,325,795 B1	12/2001	Lindemann et al.	6,503,263 B2	1/2003	Adams
6,325,799 B1	12/2001	Goble	6,506,189 B1	1/2003	Rittman et al.
6,325,811 B1	12/2001	Messerly	6,506,208 B2	1/2003	Hunt et al.
6,328,736 B1	12/2001	Mulier et al.	6,510,854 B2	1/2003	Goble et al.
6,328,751 B1	12/2001	Beaupre	6,511,476 B2	1/2003	Hareyama
6,331,181 B1	12/2001	Tierney et al.	6,511,480 B1	1/2003	Tetzlaff et al.
6,334,068 B1	12/2001	Hacker	6,514,252 B2	2/2003	Nezhat et al.
6,334,861 B1	1/2002	Chandler et al.	6,517,536 B2	2/2003	Hooven et al.
6,336,926 B1	1/2002	Goble et al.	6,526,320 B2	2/2003	Mitchell
6,348,051 B1	2/2002	Farin et al.	6,527,771 B1	3/2003	Weadock et al.
6,352,532 B1	3/2002	Kramer et al.	6,534,770 B2	3/2003	Miller et al.
6,352,536 B1	3/2002	Buyse et al.	6,537,248 B2	3/2003	Mulier et al.
6,358,248 B1	3/2002	Mulier et al.	6,540,695 B1	3/2003	Christopherson et al.
6,358,249 B1	3/2002	Chen et al.	6,543,456 B1	4/2003	Burbank et al.
6,358,267 B1	3/2002	Murakami et al.	6,547,783 B1	4/2003	Freeman
6,361,534 B1	3/2002	Chen et al.	6,547,786 B1	4/2003	Vilendrer et al.
6,364,877 B1	4/2002	Goble et al.	6,547,786 B1	4/2003	Goble et al.
6,364,879 B1	4/2002	Chen et al.	6,554,829 B2	4/2003	Schulze et al.
6,371,967 B1	4/2002	Long et al.	6,558,379 B1	5/2003	Batchelor et al.
D457,958 S	5/2002	Dycus	6,558,383 B2	5/2003	Cunningham et al.
D457,959 S	5/2002	Tetzlaff et al.	6,561,983 B2	5/2003	Cronin et al.
6,383,183 B1	5/2002	Sekino et al.	6,562,037 B2	5/2003	Paton et al.
6,387,092 B1	5/2002	Burnside et al.	6,565,559 B2	5/2003	Eggleston
6,387,109 B1	5/2002	Davison et al.	6,565,560 B1	5/2003	Goble et al.
6,391,025 B1	5/2002	Weinstein et al.	6,569,105 B1	5/2003	Kortenbach et al.
6,398,779 B1	6/2002	Buyse et al.	6,569,109 B2	5/2003	Sakurai et al.
6,398,781 B1	6/2002	Goble et al.	6,572,615 B2	6/2003	Schulze et al.
6,402,741 B1	6/2002	Keppel et al.	6,579,289 B2	6/2003	Schnitzler
6,402,742 B1	6/2002	Blewett et al.	6,582,424 B2	6/2003	Fleenor et al.
6,402,743 B1	6/2002	Orszulak et al.	6,582,427 B1	6/2003	Goble et al.
6,402,747 B1	6/2002	Lindemann et al.	6,584,360 B2	6/2003	Francischelli et al.
			D477,408 S	7/2003	Bromley
			6,585,732 B2	7/2003	Mulier et al.
			6,585,733 B2	7/2003	Wellman
			6,585,735 B1	7/2003	Frazier et al.

(56)

References Cited

U.S. PATENT DOCUMENTS

6,589,200 B1	7/2003	Schwemberger et al.	6,776,780 B2	8/2004	Mulier et al.
6,591,719 B1	7/2003	Poole et al.	6,780,180 B1	8/2004	Goble et al.
6,592,582 B2	7/2003	Hess et al.	6,786,906 B1	9/2004	Cobb
6,594,518 B1	7/2003	Benaron et al.	6,790,217 B2	9/2004	Schulze et al.
6,602,227 B1	8/2003	Cimino et al.	6,796,828 B2	9/2004	Ehr et al.
6,602,249 B1	8/2003	Stoddard et al.	6,796,981 B2	9/2004	Wham et al.
6,602,252 B2	8/2003	Mollenauer	D496,997 S	10/2004	Dycus et al.
6,605,036 B1	8/2003	Wild	6,807,444 B2	10/2004	Tu et al.
6,607,529 B1	8/2003	Jones et al.	6,807,968 B2	10/2004	Francischelli et al.
6,610,060 B2	8/2003	Mulier et al.	6,808,518 B2	10/2004	Wellman et al.
6,611,793 B1	8/2003	Burnside et al.	6,808,525 B2	10/2004	Latterell et al.
6,613,048 B2	9/2003	Mulier et al.	D499,181 S	11/2004	Dycus et al.
6,616,656 B2	9/2003	Brommersma	6,814,745 B2	11/2004	Prestel
6,616,660 B1	9/2003	Platt	6,821,273 B2	11/2004	Mollenauer
6,616,661 B2	9/2003	Wellman et al.	6,827,715 B2	12/2004	Francischelli et al.
6,620,157 B1	9/2003	Dabney et al.	6,827,717 B2	12/2004	Brommersma et al.
6,620,161 B2	9/2003	Schulze et al.	6,827,725 B2	12/2004	Batchelor et al.
6,623,482 B2	9/2003	Pendekanti et al.	6,830,569 B2	12/2004	Thompson et al.
6,623,515 B2	9/2003	Mulier et al.	6,832,111 B2	12/2004	Tu et al.
6,626,901 B1	9/2003	Treat et al.	6,832,985 B2	12/2004	Irion et al.
6,629,974 B2	10/2003	Penny et al.	6,832,998 B2	12/2004	Goble
6,638,274 B2	10/2003	Yamamoto	6,835,082 B2	12/2004	Gonnering
6,648,883 B2	11/2003	Francischelli et al.	6,835,195 B2	12/2004	Schulze et al.
6,652,514 B2	11/2003	Ellman et al.	6,837,887 B2	1/2005	Woloszko et al.
6,652,521 B2	11/2003	Schulze	6,843,789 B2	1/2005	Goble
6,656,110 B1	12/2003	Irion et al.	6,849,073 B2	2/2005	Hoy et al.
6,656,175 B2	12/2003	Francischelli et al.	6,852,112 B2	2/2005	Platt
6,656,176 B2	12/2003	Hess et al.	6,855,142 B2	2/2005	Harano et al.
6,656,177 B2	12/2003	Truckai et al.	6,855,145 B2	2/2005	Ciarrocca
6,660,017 B2	12/2003	Beaupre	6,858,028 B2	2/2005	Mulier et al.
6,662,050 B2	12/2003	Olson	6,860,881 B2	3/2005	Sturm
6,662,127 B2	12/2003	Wiener et al.	6,860,894 B1	3/2005	Pittman
6,663,622 B1	12/2003	Foley et al.	6,887,240 B1	5/2005	Lands et al.
6,663,627 B2	12/2003	Francischelli et al.	6,889,694 B2	5/2005	Hooven
6,663,628 B2	12/2003	Peters	6,893,435 B2	5/2005	Goble
6,666,865 B2	12/2003	Platt	6,893,441 B2	5/2005	Brommersma et al.
6,676,660 B2	1/2004	Wampler et al.	6,899,710 B2	5/2005	Hooven
6,678,621 B2	1/2004	Wiener et al.	6,905,497 B2	6/2005	Truckai et al.
6,679,882 B1	1/2004	Kornerup	6,905,498 B2	6/2005	Hooven
6,682,527 B2	1/2004	Strul	6,908,472 B2	6/2005	Wiener et al.
6,682,528 B2	1/2004	Frazier et al.	6,911,019 B2	6/2005	Mulier et al.
6,682,544 B2	1/2004	Mastri et al.	6,913,579 B2	7/2005	Truckai et al.
6,685,701 B2	2/2004	Orszulak et al.	6,916,318 B2	7/2005	Francischelli et al.
6,685,703 B2	2/2004	Pearson et al.	6,918,880 B2	7/2005	Brookner et al.
6,692,450 B1	2/2004	Coleman	6,923,803 B2	8/2005	Goble
6,692,489 B1	2/2004	Heim et al.	6,923,806 B2	8/2005	Hooven et al.
6,695,837 B2	2/2004	Howell	6,926,716 B2	8/2005	Baker et al.
6,695,838 B2	2/2004	Wellman et al.	6,929,641 B2	8/2005	Goble et al.
6,695,840 B2	2/2004	Schulze	6,929,644 B2	8/2005	Truckai et al.
6,699,240 B2	3/2004	Francischelli et al.	6,932,810 B2	8/2005	Ryan
6,706,038 B2	3/2004	Francischelli et al.	6,932,811 B2	8/2005	Hooven et al.
6,706,039 B2	3/2004	Mulier et al.	6,937,033 B2	8/2005	Boronkay et al.
6,709,432 B2	3/2004	Ferek-Petric	D509,297 S	9/2005	Wells
6,723,091 B2	4/2004	Goble et al.	6,939,347 B2	9/2005	Thompson
6,726,683 B1	4/2004	Shaw	6,942,660 B2	9/2005	Pantera et al.
6,726,686 B2	4/2004	Buysse et al.	6,942,662 B2	9/2005	Goble et al.
6,733,498 B2	5/2004	Paton et al.	6,945,972 B2	9/2005	Frigg et al.
6,736,810 B2	5/2004	Hoey et al.	6,945,981 B2	9/2005	Donofrio et al.
6,740,084 B2	5/2004	Ryan	6,948,503 B2	9/2005	Refior et al.
6,740,085 B2	5/2004	Hareyama et al.	6,949,098 B2	9/2005	Mulier et al.
6,740,102 B2	5/2004	Hess et al.	6,960,209 B2	11/2005	Clague et al.
6,743,229 B2	6/2004	Buysse et al.	6,960,210 B2	11/2005	Lands et al.
6,755,825 B2	6/2004	Schoenman et al.	6,962,587 B2	11/2005	Johnson et al.
6,755,827 B2	6/2004	Mulier et al.	6,962,589 B2	11/2005	Mulier et al.
6,755,841 B2	6/2004	Fraser et al.	6,966,907 B2	11/2005	Goble
6,758,846 B2	7/2004	Goble et al.	6,966,909 B2	11/2005	Marshall et al.
6,764,487 B2	7/2004	Mulier et al.	6,971,988 B2	12/2005	Orban et al.
D493,888 S	8/2004	Reschke	6,974,453 B2	12/2005	Woloszko et al.
6,770,071 B2	8/2004	Woloszko et al.	6,974,454 B2	12/2005	Hooven
6,770,072 B1	8/2004	Truckai et al.	6,976,969 B2	12/2005	Messerly
6,773,409 B2	8/2004	Truckai et al.	6,979,332 B2	12/2005	Adams
6,773,434 B2	8/2004	Ciarrocca	6,984,231 B2	1/2006	Goble et al.
6,773,435 B2	8/2004	Schulze et al.	6,984,233 B2	1/2006	Hooven
6,773,444 B2	8/2004	Messerly	6,984,826 B2	1/2006	Miller et al.
6,775,575 B2	8/2004	Bommannan et al.	6,989,010 B2	1/2006	Francischelli et al.
			6,994,705 B2	2/2006	Nobis et al.
			6,997,735 B2	2/2006	Ehr et al.
			6,997,935 B2	2/2006	Anderson et al.
			7,001,380 B2	2/2006	Goble

(56)

References Cited

U.S. PATENT DOCUMENTS

7,001,415 B2	2/2006	Hooven	7,169,144 B2	1/2007	Hoey
7,011,657 B2	3/2006	Truckai et al.	7,169,145 B2	1/2007	Isaacson
7,025,764 B2	4/2006	Paton et al.	7,169,146 B2	1/2007	Truckai et al.
7,029,470 B2	4/2006	Francischelli et al.	7,172,591 B2	2/2007	Harano et al.
7,033,351 B2	4/2006	Howell	7,179,254 B2	2/2007	Pendkanti
7,033,354 B2	4/2006	Keppel	7,179,258 B2	2/2007	Buysse et al.
7,033,356 B2	4/2006	Latterell	7,182,604 B2	2/2007	Ehr et al.
7,041,096 B2	5/2006	Malis	7,186,252 B2	3/2007	Nobis et al.
7,041,102 B2	5/2006	Truckai et al.	7,186,253 B2	3/2007	Truckai et al.
7,044,948 B2	5/2006	Keppel	7,187,790 B2	3/2007	Sabol
7,044,949 B2	5/2006	Orszulak	7,189,231 B2	3/2007	Clague et al.
7,044,950 B2	5/2006	Yamamoto	7,189,232 B2	3/2007	Scholl et al.
7,048,687 B1	5/2006	Reuss et al.	7,189,233 B2	3/2007	Truckai et al.
7,049,599 B2	5/2006	Miller et al.	7,191,015 B2	3/2007	Lamson et al.
7,052,494 B2	5/2006	Goble et al.	7,195,627 B2	3/2007	Amoah
7,060,063 B2	6/2006	Marion et al.	7,195,630 B2	3/2007	Ciarrocca
7,063,699 B2	6/2006	Hess	7,195,631 B2	3/2007	Dumbauld
7,066,933 B2	6/2006	Hagg	D541,418 S	4/2007	Schechter et al.
7,066,936 B2	6/2006	Ryan	7,204,835 B2	4/2007	Latterell et al.
7,070,597 B2	7/2006	Truckai et al.	7,207,471 B2	4/2007	Heinrich et al.
7,074,218 B2	7/2006	Washington et al.	7,207,990 B2	4/2007	Lands et al.
7,074,219 B2	7/2006	Levine et al.	D541,938 S	5/2007	Kerr et al.
7,083,618 B2	8/2006	Couture et al.	7,211,081 B2	5/2007	Goble
7,083,619 B2	8/2006	Truckai et al.	7,211,084 B2	5/2007	Goble
7,083,620 B2	8/2006	Jahns et al.	7,214,224 B2	5/2007	Goble
7,087,054 B2	8/2006	Truckai et al.	7,216,001 B2	5/2007	Hacker et al.
7,090,673 B2	8/2006	Dycus	7,220,260 B2	5/2007	Fleming
7,094,202 B2	8/2006	Nobis et al.	7,220,951 B2	5/2007	Truckai et al.
7,094,235 B2	8/2006	Francischelli	7,223,239 B2	5/2007	Schulze et al.
7,097,644 B2	8/2006	Long	7,223,265 B2	5/2007	Keppel
7,101,371 B2	9/2006	Dycus et al.	7,226,447 B2	6/2007	Uchida
7,101,372 B2	9/2006	Dycus et al.	7,229,307 B2	6/2007	Ehr et al.
7,101,373 B2	9/2006	Dycus et al.	7,232,439 B2	6/2007	Ciarrocca
7,103,947 B2	9/2006	Sartor et al.	7,232,440 B2	6/2007	Dumbald et al.
7,104,834 B2	9/2006	Robinson et al.	7,235,048 B2	6/2007	Rein et al.
7,104,989 B2	9/2006	Skarda	7,235,072 B2	6/2007	Sartor et al.
7,108,695 B2	9/2006	Witt et al.	7,235,073 B2	6/2007	Levine et al.
7,111,769 B2	9/2006	Wales et al.	7,237,708 B1	7/2007	Guy
7,112,201 B2	9/2006	Truckai et al.	7,241,296 B2	7/2007	Buysse et al.
RE39,358 E	10/2006	Goble	7,247,141 B2	7/2007	Makin et al.
D531,311 S	10/2006	Guerra et al.	7,247,155 B2	7/2007	Hoey et al.
7,116,157 B2	10/2006	Ross	7,250,048 B2	7/2007	Francischelli et al.
7,118,564 B2	10/2006	Ritchie et al.	7,250,051 B2	7/2007	Francischelli
7,118,570 B2	10/2006	Tetzlaff et al.	7,252,667 B2	8/2007	Moses
7,118,587 B2	10/2006	Dycus et al.	7,255,694 B2	8/2007	Keppel
7,119,516 B2	10/2006	Denning	7,255,696 B2	8/2007	Goble et al.
7,124,932 B2	10/2006	Isaacson	7,255,697 B2	8/2007	Dycus et al.
7,125,409 B2	10/2006	Truckai et al.	7,259,340 B2	8/2007	Blaha et al.
7,126,125 B2	10/2006	Miller et al.	7,261,711 B2	8/2007	Mulier et al.
7,131,445 B2	11/2006	Amoah	7,267,677 B2	9/2007	Johnson et al.
7,131,860 B2	11/2006	Sartor	7,270,660 B2	9/2007	Ryan
7,131,970 B2	11/2006	Moses et al.	7,270,664 B2	9/2007	Johnson et al.
7,131,971 B2	11/2006	Dycus et al.	7,273,483 B2	9/2007	Weiner et al.
7,135,018 B2	11/2006	Ryan et al.	7,276,068 B2	10/2007	Johnson et al.
7,135,020 B2	11/2006	Lawes et al.	7,278,994 B2	10/2007	Goble
7,137,980 B2	11/2006	Buysse	7,282,048 B2	10/2007	Goble et al.
D533,942 S	12/2006	Kerr et al.	7,282,049 B2	10/2007	Oraszulak et al.
7,147,635 B2	12/2006	Ciarrocca	7,291,161 B2	11/2007	Hooven
7,147,637 B2	12/2006	Goble	7,297,145 B2	11/2007	Woloszko et al.
7,147,638 B2	12/2006	Chapman et al.	7,300,435 B2	11/2007	Wham et al.
7,150,097 B2	12/2006	Sremcich	7,300,446 B2	11/2007	Beaupre
7,150,748 B2	12/2006	Ebbutt	7,300,450 B2	11/2007	Vleugels et al.
7,150,749 B2	12/2006	Dycus et al.	7,303,557 B2	12/2007	Wham
7,153,300 B2	12/2006	Goble	7,309,325 B2	12/2007	Mulier et al.
D535,027 S	1/2007	James et al.	7,309,849 B2	12/2007	Truckai et al.
7,156,843 B2	1/2007	Skarda	7,311,560 B2	12/2007	Ehr et al.
7,156,845 B2	1/2007	Mulier et al.	7,311,706 B2	12/2007	Schoenman et al.
7,156,846 B2	1/2007	Dycus et al.	7,311,707 B2	12/2007	Hagg et al.
7,159,750 B2	1/2007	Racenet et al.	7,311,709 B2	12/2007	Truckai et al.
7,160,293 B2	1/2007	Sturm et al.	7,322,975 B2	1/2008	Goble et al.
7,160,298 B2	1/2007	Lawes et al.	7,329,256 B2	2/2008	Johnson et al.
7,160,299 B2	1/2007	Baily	7,335,997 B2	2/2008	Weiner
7,163,548 B2	1/2007	Stulen et al.	7,344,532 B2	3/2008	Goble et al.
7,166,105 B2	1/2007	Mulier et al.	7,347,858 B2	3/2008	Francischelli et al.
7,169,115 B2	1/2007	Nobis et al.	RE40,279 E	4/2008	Sluijter et al.
			D567,943 S	4/2008	Moses et al.
			7,353,068 B2	4/2008	Tanake et al.
			7,354,435 B2	4/2008	Farin et al.
			7,354,440 B2	4/2008	Truckal et al.

(56)

References Cited

U.S. PATENT DOCUMENTS

7,354,443 B2	4/2008	Moll et al.	2002/0120266 A1	8/2002	Truckai
7,364,577 B2	4/2008	Wham et al.	2002/0128650 A1	9/2002	McClurken
7,364,578 B2	4/2008	Francischelli et al.	2002/0161363 A1	10/2002	Fodor et al.
7,364,579 B2	4/2008	Mulier et al.	2002/0165541 A1	11/2002	Whitman
7,367,972 B2	5/2008	Francischelli et al.	2002/0188294 A1	12/2002	Couture et al.
7,367,976 B2	5/2008	Lawes et al.	2003/0004510 A1	1/2003	Wham
7,371,246 B2	5/2008	Viola	2003/0014052 A1	1/2003	Buysse
7,377,902 B2	5/2008	Burbank et al.	2003/0065327 A1	4/2003	Wellman
7,377,918 B2	5/2008	Amoah	2003/0065358 A1	4/2003	Frecker et al.
7,377,920 B2	5/2008	Buysse et al.	2003/0069571 A1	4/2003	Treat
RE40,388 E	6/2008	Gines	2003/0109871 A1	6/2003	Johnson
7,381,209 B2	6/2008	Truckai et al.	2003/0114845 A1	6/2003	Paton et al.
7,384,420 B2	6/2008	Dycus et al.	2003/0114848 A1	6/2003	Cobb
7,384,421 B2	6/2008	Hushka	2003/0114851 A1	6/2003	Csaba et al.
7,396,336 B2	7/2008	Orszulak et al.	2003/0125731 A1	7/2003	Smith et al.
D575,395 S	8/2008	Hushka	2003/0125734 A1	7/2003	Mollenauer
D575,401 S	8/2008	Hixson et al.	2003/0181910 A1	9/2003	Dycus
7,416,101 B2	8/2008	Shelton	2003/0199863 A1	10/2003	Swanson et al.
7,416,437 B2	8/2008	Sartor et al.	2003/0199870 A1	10/2003	Truckai
7,419,487 B2	9/2008	Johnson et al.	2003/0229344 A1	12/2003	Dycus et al.
7,422,139 B2	9/2008	Shelton et al.	2003/0236549 A1	12/2003	Bonadio et al.
7,422,588 B2	9/2008	Mulier et al.	2004/0006340 A1	1/2004	Latterell
7,424,965 B2	9/2008	Racenet et al.	2004/0068304 A1	4/2004	Paton et al.
7,425,835 B2	9/2008	Eisele	2004/0073247 A1	4/2004	Loshakove et al.
7,426,415 B2	9/2008	Kuhner	2004/0122423 A1	6/2004	Dycus
7,431,720 B2	10/2008	Pendekanti et al.	2004/0162557 A1	8/2004	Tetzlaff et al.
7,431,721 B2	10/2008	Paton et al.	2004/0193148 A1	9/2004	Wham
7,435,249 B2	10/2008	Buysse et al.	2004/0215127 A1	10/2004	Kadziauskas et al.
7,435,250 B2	10/2008	Francischelli et al.	2004/0225288 A1	11/2004	Buysse
7,442,167 B2	10/2008	Dunki-Jacobs	2004/0250419 A1	12/2004	Sremich
7,442,193 B2	10/2008	Shelds	2005/0004564 A1	1/2005	Wham et al.
7,442,194 B2	10/2008	Dumbauld et al.	2005/0021027 A1	1/2005	Shields et al.
7,445,621 B2	11/2008	Dumbauld et al.	2005/0033282 A1	2/2005	Hooven
7,458,972 B2	12/2008	Keppel	2005/0033352 A1	2/2005	Zepf
7,464,846 B2	12/2008	Shelton et al.	2005/0096681 A1	5/2005	Desinger et al.
7,470,272 B2	12/2008	Mulier et al.	2005/0101951 A1	5/2005	Wham
7,473,250 B2	1/2009	Makin et al.	2005/0107785 A1	5/2005	Dycus
7,473,253 B2	1/2009	Dycus et al.	2005/0113819 A1	5/2005	Wham et al.
7,476,233 B1	1/2009	Wiener et al.	2005/0124915 A1	6/2005	Eggers et al.
7,481,808 B2	1/2009	Koyfman et al.	2005/0137592 A1	6/2005	Nguyen et al.
7,491,199 B2	2/2009	Goble et al.	2005/0149017 A1	7/2005	Dycus
D594,983 S	6/2009	Price et al.	2005/0159745 A1	7/2005	Truckai
7,625,370 B2	12/2009	Hart et al.	2005/0165444 A1	7/2005	Hart
D617,900 S	6/2010	Kingsley et al.	2005/0203504 A1	9/2005	Wham
D621,503 S	8/2010	Otten et al.	2005/0234447 A1	10/2005	Paton et al.
7,766,910 B2	8/2010	Hixson et al.	2006/0041254 A1	2/2006	Francischelli et al.
D627,066 S	11/2010	Romero	2006/0052777 A1	3/2006	Dumbauld
D627,462 S	11/2010	Kingsley	2006/0079788 A1	4/2006	Anderson et al.
D649,249 S	11/2011	Guerra	2006/0079878 A1	4/2006	Houser
8,187,273 B2 *	5/2012	Kerr A61B 18/1445	2006/0129146 A1	6/2006	Dycus
		606/51	2006/0161190 A1	7/2006	Gadberry et al.
D661,394 S	6/2012	Romero et al.	2006/0167450 A1	7/2006	Johnson
D661,801 S	6/2012	Price et al.	2006/0173453 A1	8/2006	Gruhl
8,454,602 B2 *	6/2013	Kerr A61B 18/1445	2006/0217697 A1	9/2006	Lau et al.
		606/51	2006/0217706 A1	9/2006	Lau et al.
8,469,957 B2 *	6/2013	Roy A61B 18/1445	2006/0217707 A1	9/2006	Daniel et al.
		606/205	2006/0224152 A1	10/2006	Behnke et al.
D687,549 S	8/2013	Johnson et al.	2006/0224158 A1	10/2006	Odom
8,535,312 B2 *	9/2013	Horner A61B 18/1442	2006/0271042 A1	11/2006	Latterell et al.
		606/49	2007/0016185 A1	1/2007	Tullis et al.
8,623,276 B2 *	1/2014	Schmaltz A61B 17/29	2007/0043352 A1	2/2007	Garrison et al.
		422/28	2007/0043353 A1	2/2007	Dycus
D700,699 S	3/2014	O'Leary et al.	2007/0062017 A1	3/2007	Dycus et al.
8,747,434 B2 *	6/2014	Larson A61B 18/1445	2007/0090788 A1	4/2007	Hansford et al.
		606/205	2007/0093800 A1	4/2007	Wham et al.
D709,194 S	7/2014	Miller et al.	2007/0123847 A1	5/2007	Mihori
8,764,748 B2 *	7/2014	Chojin A61B 18/1445	2007/0135811 A1	6/2007	Hooven
		606/48	2007/0142833 A1	6/2007	Dycus
8,852,179 B2 *	10/2014	Ward A61B 18/1445	2007/0142834 A1	6/2007	Dumbauld
		604/41	2007/0156139 A1	7/2007	Schecter
8,864,753 B2 *	10/2014	Nau, Jr. 606/205	2007/0156140 A1	7/2007	Baily
2001/0037110 A1	11/2001	Schmaltz	2007/0167941 A1	7/2007	Hamel et al.
2002/0052599 A1	5/2002	Goble	2007/0173811 A1	7/2007	Couture et al.
2002/0115997 A1	8/2002	Truckai	2007/0173813 A1	7/2007	Odom
2002/0120262 A1	8/2002	Bek	2007/0173814 A1	7/2007	Hixson et al.
			2007/0179499 A1	8/2007	Garrison
			2007/0191827 A1	8/2007	Lishinsky et al.
			2007/0203481 A1	8/2007	Gregg et al.
			2007/0213712 A1	9/2007	Buysse et al.

(56)

References Cited

U.S. PATENT DOCUMENTS

2007/0260242	A1	11/2007	Dycus et al.	2008/0188848	A1	8/2008	Deutmeyer et al.
2007/0276363	A1	11/2007	Patton et al.	2008/0208246	A1	8/2008	Livneh
2007/0282195	A1	12/2007	Masini et al.	2008/0215050	A1	9/2008	Bakos
2007/0282320	A1	12/2007	Buysse et al.	2008/0215051	A1	9/2008	Buysse et al.
2007/0282332	A1	12/2007	Witt et al.	2008/0228179	A1	9/2008	Eder et al.
2007/0287997	A1	12/2007	Tolmei	2008/0294222	A1	11/2008	Schecter
2008/0009860	A1	1/2008	Odom	2008/0300589	A1	12/2008	Paul et al.
2008/0015563	A1	1/2008	Hoey et al.	2008/0300590	A1	12/2008	Horne et al.
2008/0015564	A1	1/2008	Wham et al.	2008/0300591	A1	12/2008	Darian et al.
2008/0027427	A1	1/2008	Falkenstein et al.	2009/0012520	A1	1/2009	Hixson et al.
2008/0039831	A1	2/2008	Odom et al.	2009/0024126	A1	1/2009	Artale
2008/0045947	A1	2/2008	Johnson et al.	2009/0248007	A1	10/2009	Falkenstein et al.
2008/0058802	A1	3/2008	Couture	2011/0301600	A1	12/2011	Garrison et al.
2008/0082098	A1	4/2008	Tanaka et al.	2012/0136347	A1	5/2012	Brustad et al.
2008/0091189	A1	4/2008	Carlton	2012/0191091	A1	7/2012	Allen
2008/0114356	A1	5/2008	Johnson et al.	2012/0283734	A1	11/2012	Ourada
2008/0125772	A1	5/2008	Stone et al.	2013/0296848	A1	11/2013	Allen, IV et al.
2008/0132893	A1	6/2008	D' Amelio et al.	2013/0296922	A1	11/2013	Allen, IV et al.
2008/0167651	A1	7/2008	Tetzlaff et al.	2014/0025067	A1	1/2014	Kerr et al.
2008/0172048	A1	7/2008	Martin	2014/0107685	A1	4/2014	O'Neill et al.
				2014/0180281	A1*	6/2014	Rusin A61B 18/1442 606/45

* cited by examiner

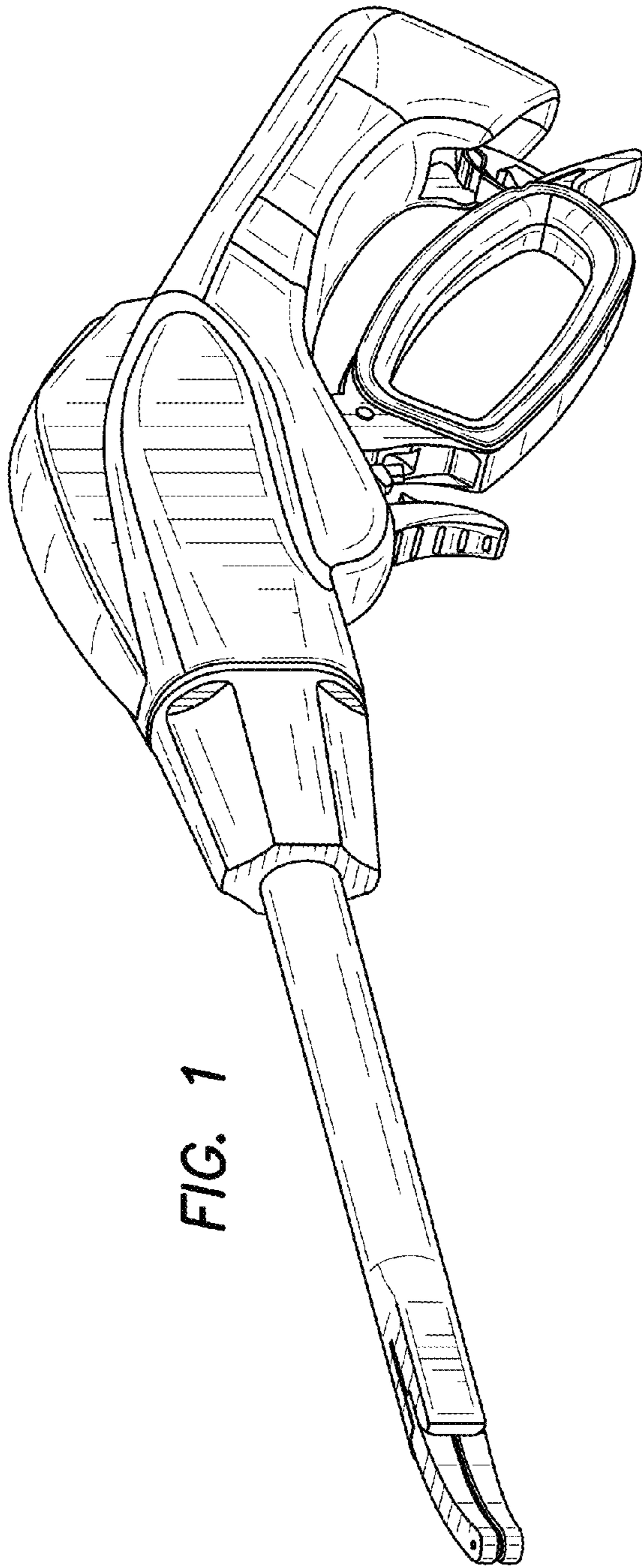


FIG. 1

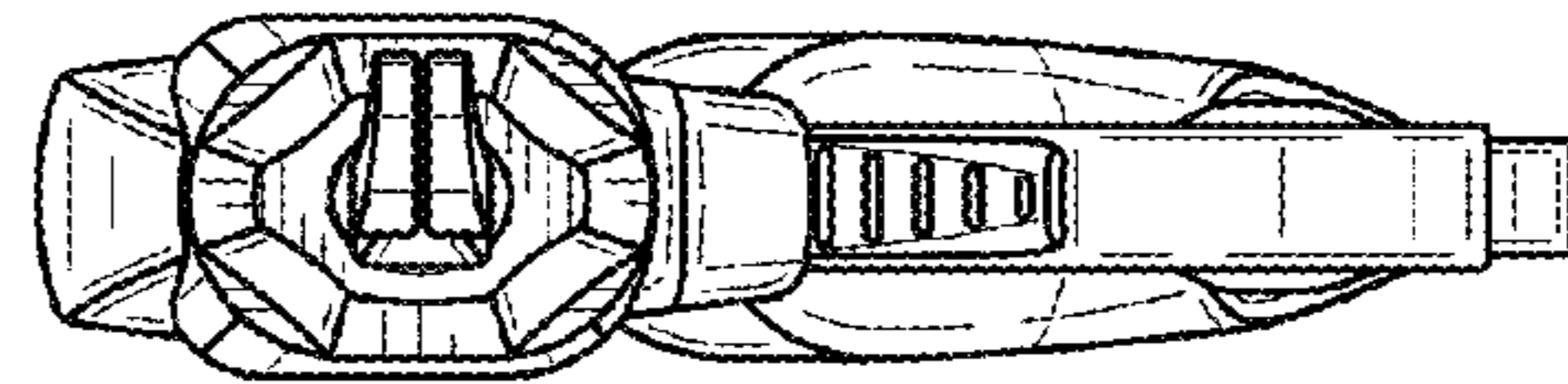


FIG. 4

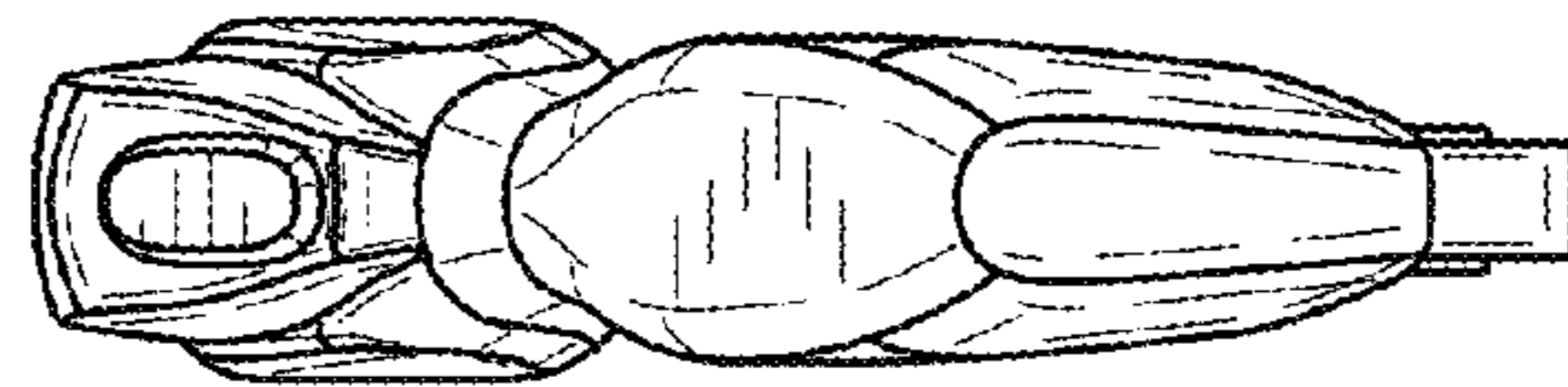


FIG. 6

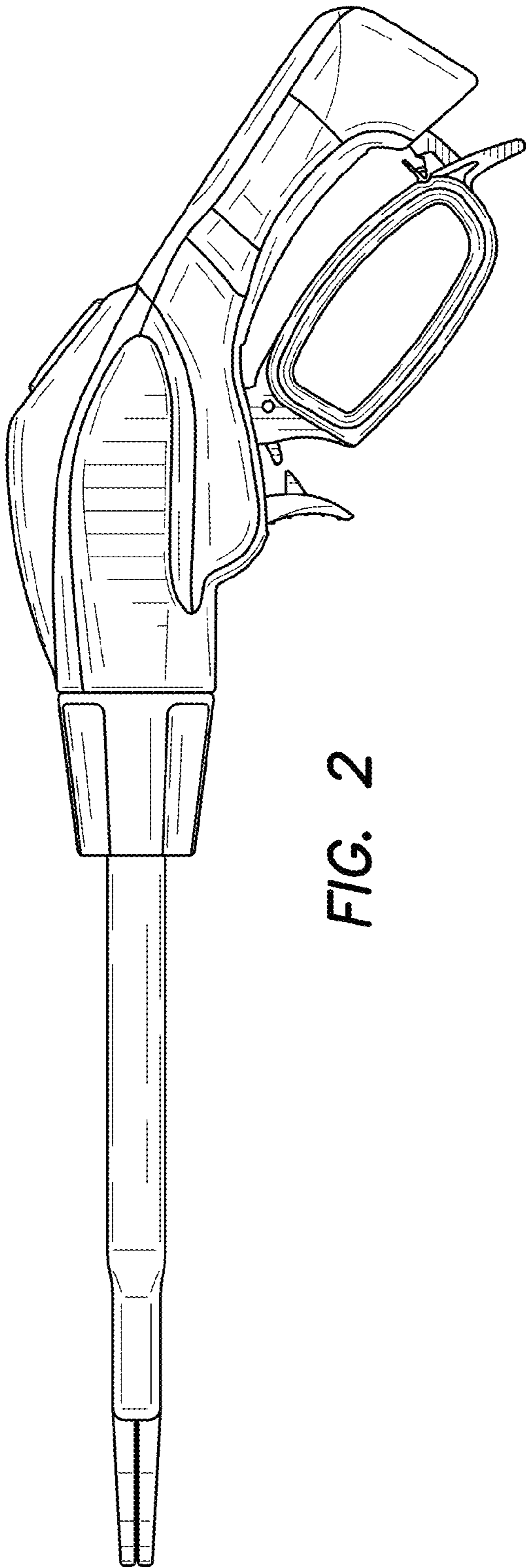


FIG. 2

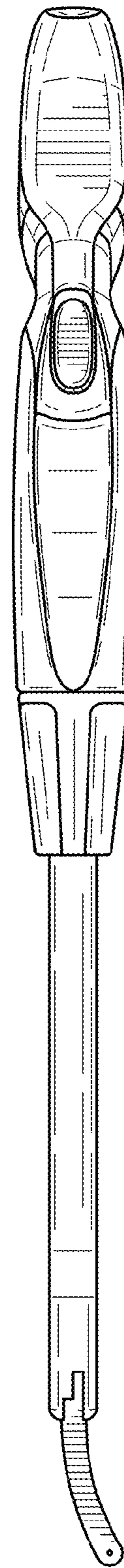


FIG. 3

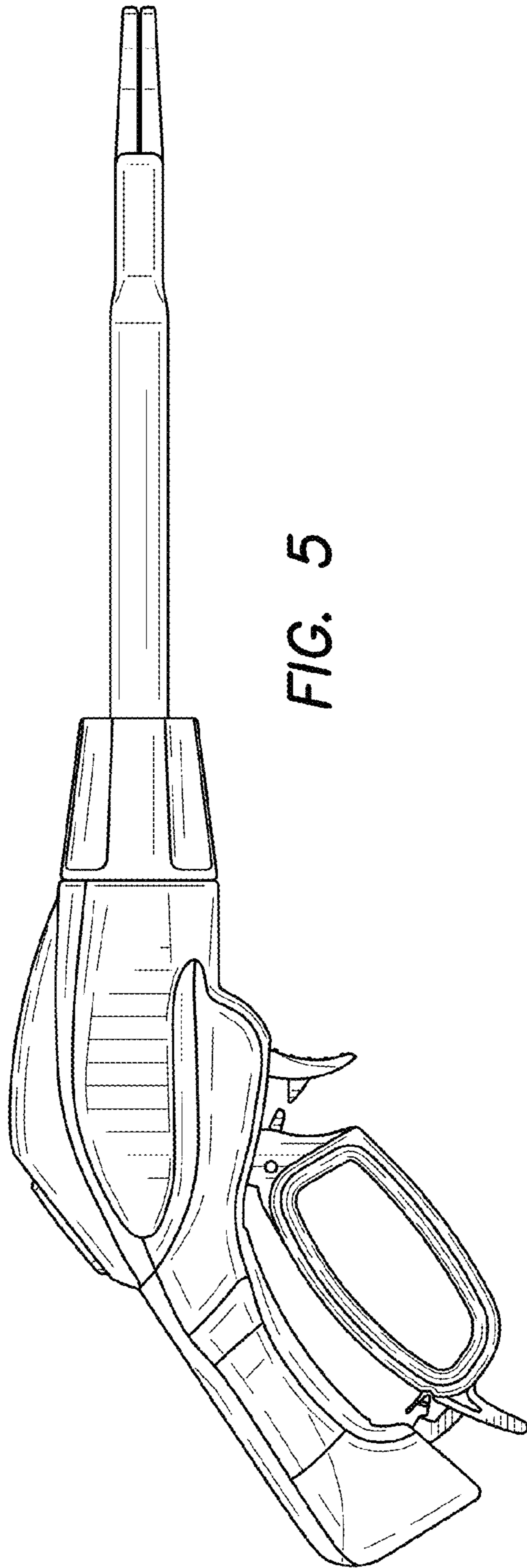


FIG. 5



FIG. 7