



US00D748258S

(12) **United States Design Patent**  
**Gledel**

(10) **Patent No.:** **US D748,258 S**  
(45) **Date of Patent:** **\*\* Jan. 26, 2016**

(54) **CLIPS FOR SURGICAL PURPOSES**

(71) Applicant: **NOVASTEP**, St Gregoire (FR)

(72) Inventor: **Gregory Gledel**, Paris (FR)

(73) Assignee: **NOVASTEP** (FR)

(\*\*) Term: **14 Years**

(21) Appl. No.: **29/502,026**

(22) Filed: **Sep. 11, 2014**

(51) **LOC (10) Cl.** ..... **24-02**

(52) **U.S. Cl.**  
USPC ..... **D24/143**

(58) **Field of Classification Search**  
USPC ..... D24/143, 133, 147-148, 152-154, 146,  
D24/176; D8/4, 14, 51-56, 58, 105, 107;  
D22/150; 7/125-136; 81/3.09, 3.44,  
81/300, 342, 348, 355-362, 364-366,  
81/385-404, 407-418, 424.5, 426, 426.5,  
81/427.5

CPC .... A61B 17/3403; A61B 10/06; A61B 17/30;  
A61B 17/7062; A61B 18/1442; A61B  
18/1445; A61B 17/3201; B25B 9/02  
See application file for complete search history.

(56) **References Cited**

**U.S. PATENT DOCUMENTS**

2,667,678 A \* 2/1954 Hargrave et al. .... 24/508  
D267,509 S \* 1/1983 Wannag ..... D24/143  
D291,247 S \* 8/1987 Weilbacher ..... D24/143

4,950,281 A \* 8/1990 Kirsch et al. .... 606/207  
D331,800 S \* 12/1992 Han ..... D24/143  
D341,886 S \* 11/1993 Stolte ..... D24/143  
D456,077 S \* 4/2002 Etter et al. .... D24/143  
D485,359 S \* 1/2004 McMichael et al. .... D24/143  
D526,444 S \* 8/2006 Di Bitonto et al. .... D28/55  
D598,101 S \* 8/2009 Keckstein et al. .... D24/143  
D607,101 S \* 12/2009 Andre ..... D24/143  
D707,816 S \* 6/2014 LaMontagne et al. .... D24/143  
D707,817 S \* 6/2014 Schallert ..... D24/143  
2008/0200923 A1 \* 8/2008 Beckman et al. .... 606/108  
2009/0030448 A1 \* 1/2009 Andre ..... 606/205  
2013/0274755 A1 \* 10/2013 Van Dalen et al. .... 606/107

\* cited by examiner

*Primary Examiner* — Wan Laymon

*Assistant Examiner* — Mark Booker

(74) *Attorney, Agent, or Firm* — Cantor Colburn LLP

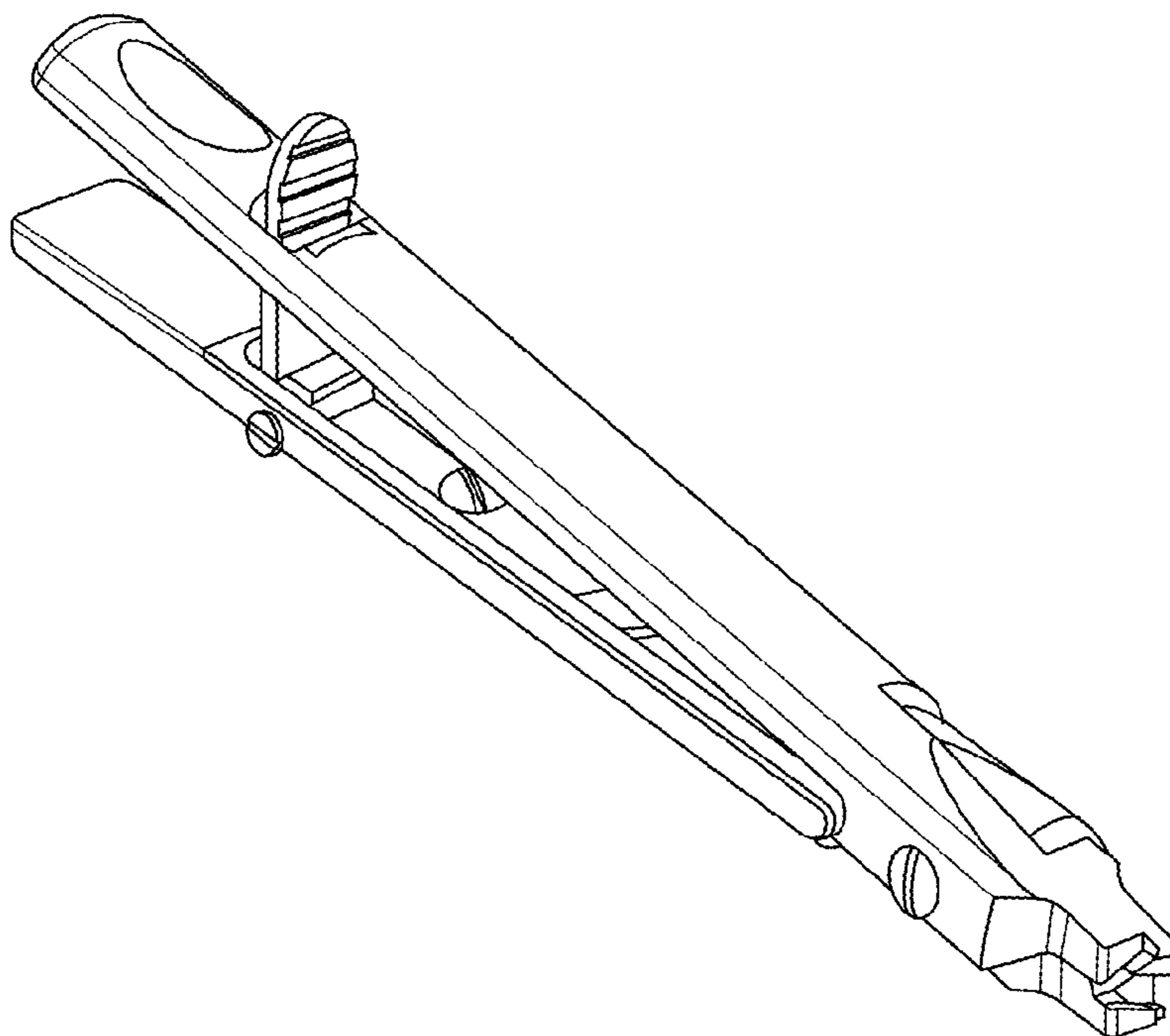
(57) **CLAIM**

I claim, the ornamental design for a clips for surgical purposes, as shown and described.

**DESCRIPTION**

FIG. 1 is a perspective view of clips for surgical purposes, showing my new design;  
FIG. 2 is a side elevation view thereof, the opposite side being a mirror image thereof;  
FIG. 3 is a top plan view thereof;  
FIG. 4 is a perspective thereof in an alternate position;  
FIG. 5 is a side elevation view thereof, the opposite side being a mirror image thereof; and,  
FIG. 6 is a front elevation view thereof.

**1 Claim, 3 Drawing Sheets**



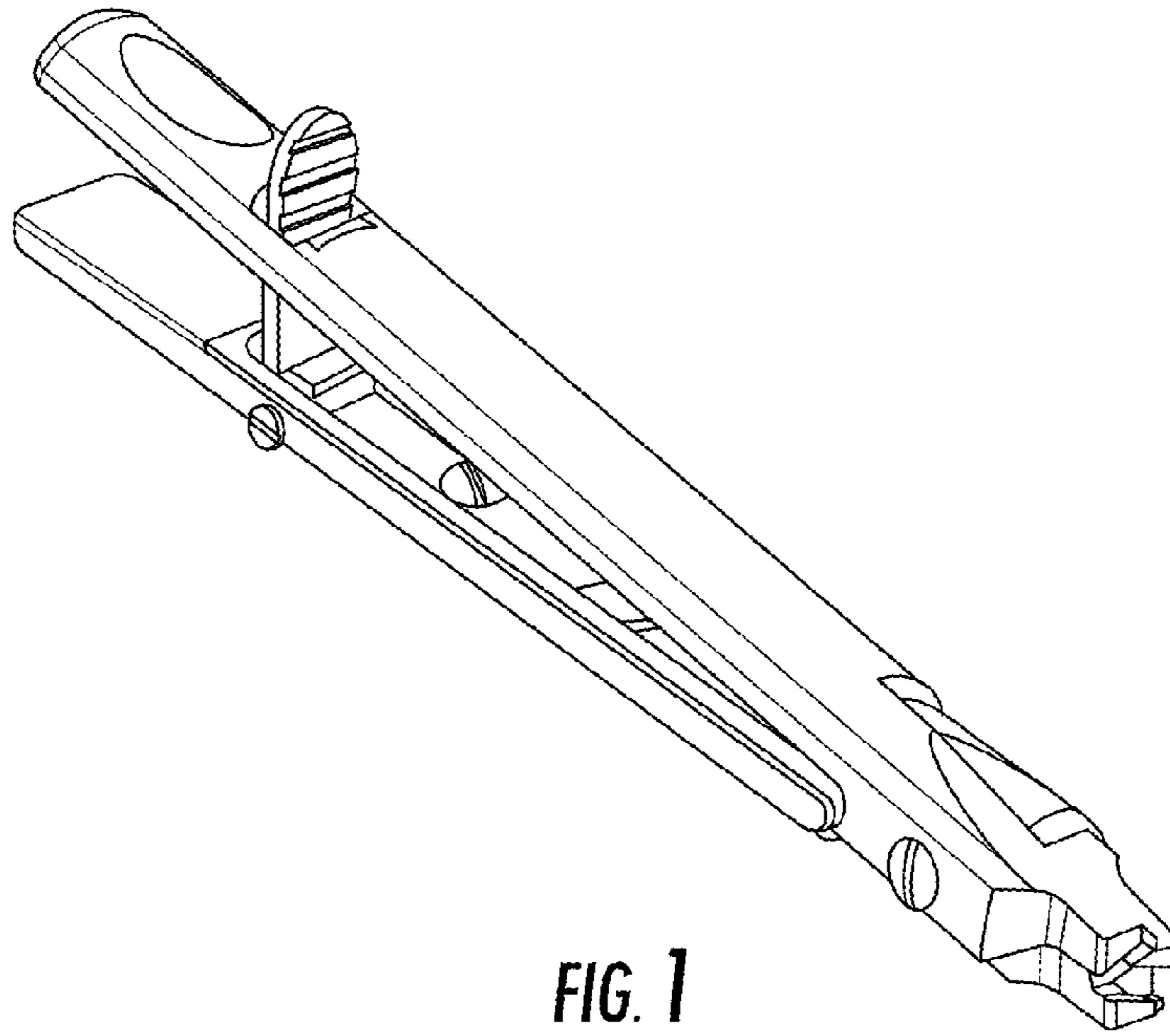


FIG. 1

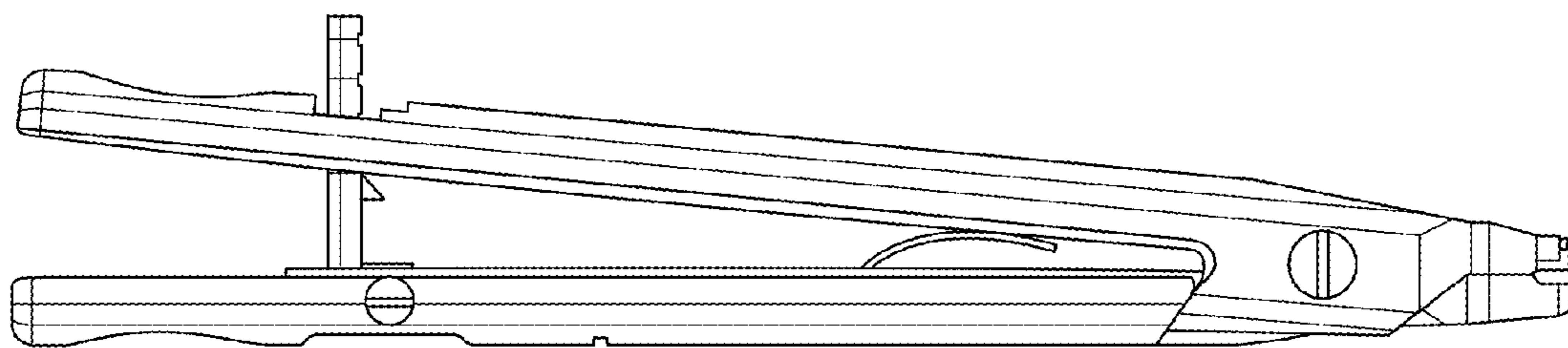


FIG. 2

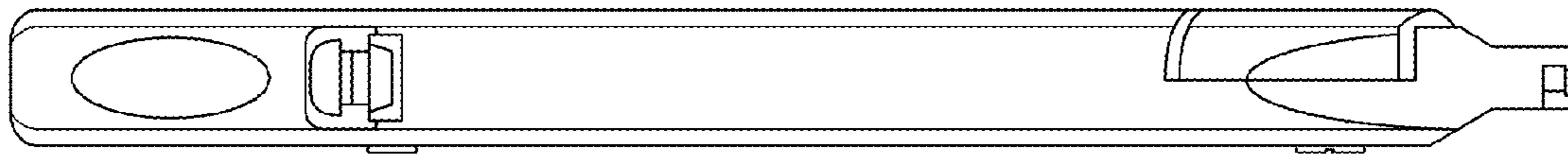


FIG. 3

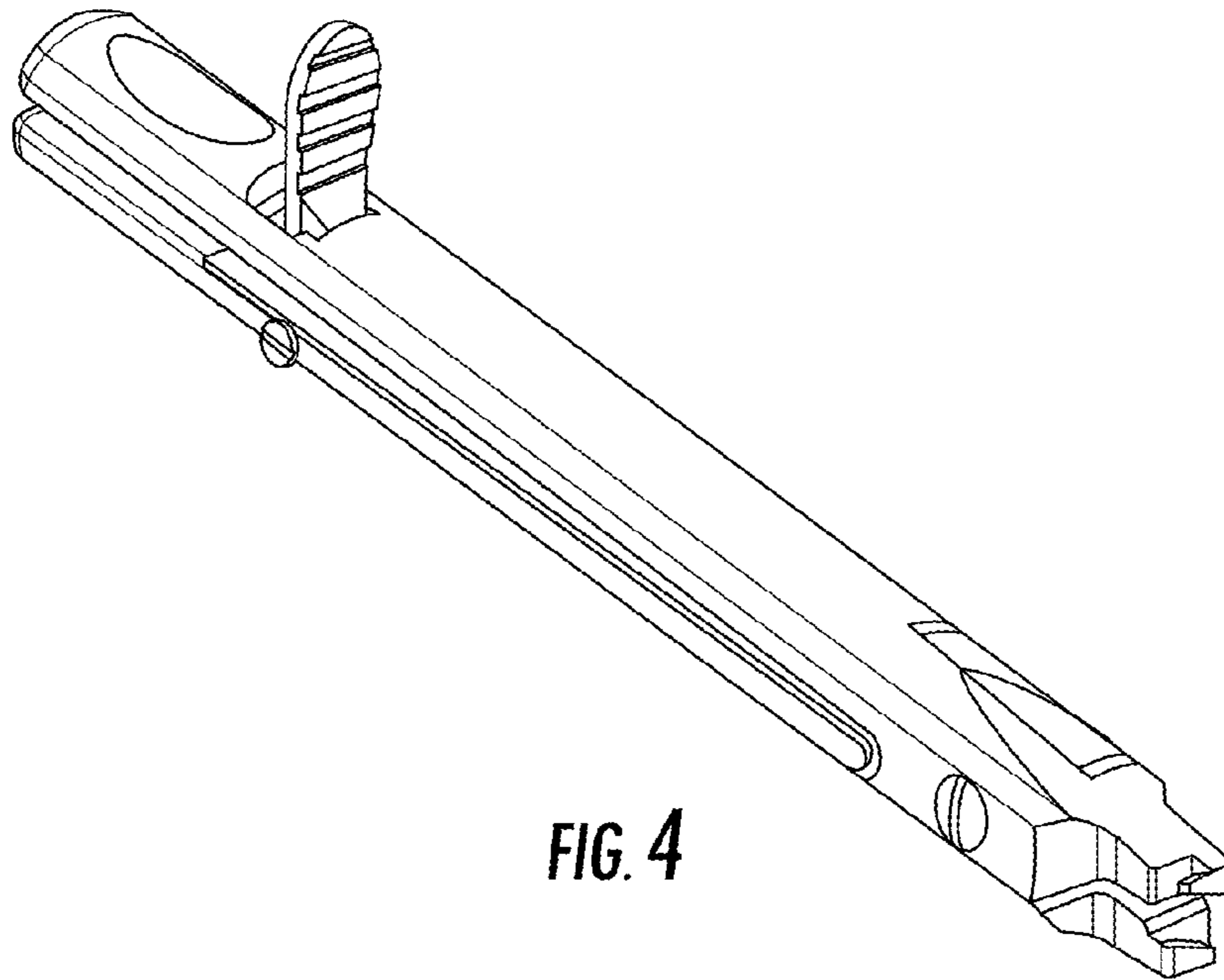


FIG. 4

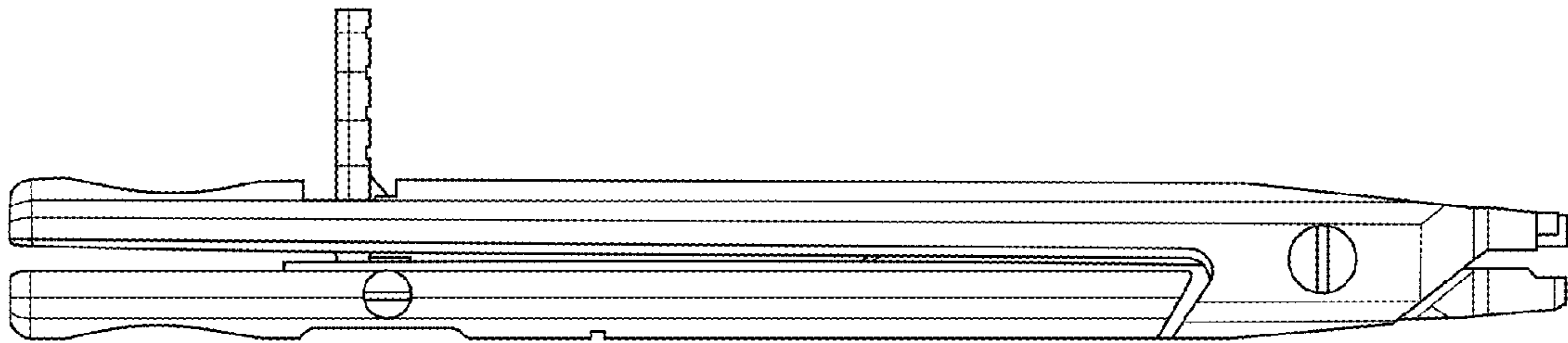


FIG. 5

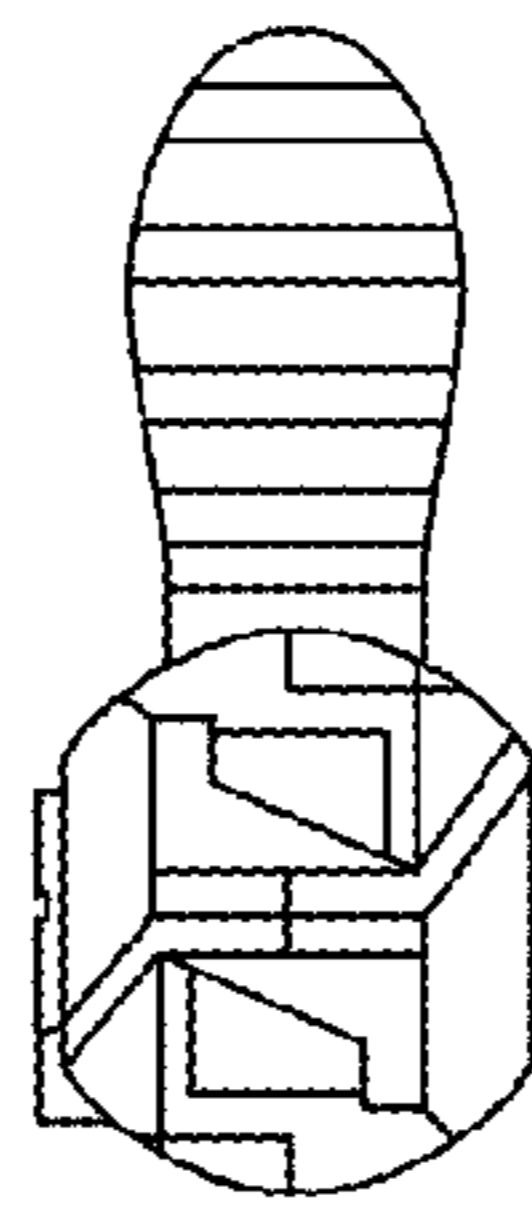


FIG. 6