



US00D748256S

(12) **United States Design Patent**  
**Wagner et al.**

(10) **Patent No.:** **US D748,256 S**  
(45) **Date of Patent:** **\*\* Jan. 26, 2016**

(54) **OPERATION-GUIDING CYLINDER FOR  
INTRAOCULAR LENS IMPLANTATION  
DEVICE**

(71) Applicant: **Santen Pharmaceutical Co., Ltd.**,  
Osaka-shi, Osaka (JP)

(72) Inventors: **Christian Winfried Wagner**, Osaka  
(JP); **Yoshitaka Yamada**, Osaka (JP);  
**Katsuyuki Ueno**, Osaka (JP)

(73) Assignee: **Santen Pharmaceutical Co., Ltd.**,  
Osaka-shi, Osaka (JP)

(\*\*) Term: **14 Years**

(21) Appl. No.: **29/470,128**

(22) Filed: **Oct. 17, 2013**

(30) **Foreign Application Priority Data**

Apr. 22, 2013 (JP) ..... 2013-009009

(51) **LOC (10) Cl.** ..... **24-02**

(52) **U.S. Cl.**  
USPC ..... **D24/140**

(58) **Field of Classification Search**  
USPC ..... D24/140, 112, 127, 133, 146, 150, 157,  
D24/172  
CPC ... A61F 2/1662; A61F 2/1664; A61F 2/1667;  
A61F 2/167; A61F 2/1672; A61F 2/1675;  
A61F 2/1678; A61F 2/1691; A61F 2/1694;  
A61F 2/16; A61F 9/0017; A61F 9/00736;  
A61F 2/14; A61F 2/148; A61F 9/0008;  
A61F 9/0026; A45C 11/005

See application file for complete search history.

(56) **References Cited**

**U.S. PATENT DOCUMENTS**

6,280,449 B1 \* 8/2001 Blake ..... 606/107  
D592,746 S \* 5/2009 Highley et al. .... D24/133

D605,289 S \* 12/2009 Horton ..... D24/140  
D610,257 S \* 2/2010 Horton ..... D24/140  
D615,651 S \* 5/2010 Hoffmann et al. .... D24/150  
D625,805 S \* 10/2010 Hereford ..... D24/140  
8,545,554 B2 \* 10/2013 Novakovic et al. .... 623/6.12  
D704,334 S \* 5/2014 Walthall et al. .... D24/140  
8,998,983 B2 \* 4/2015 Auld ..... 623/6.12  
9,017,401 B2 \* 4/2015 Feingold ..... 623/6.12

(Continued)

**FOREIGN PATENT DOCUMENTS**

CN 302710692 \* 1/2014  
EM 2228783-0001 \* 2/2014

(Continued)

*Primary Examiner* — Bridget L Eland

*Assistant Examiner* — Lauren McVey

(74) *Attorney, Agent, or Firm* — Squire Patton Boggs (US)  
LLP

(57) **CLAIM**

The ornamental design for an operation-guiding cylinder for  
intraocular lens implantation device, as shown and described.

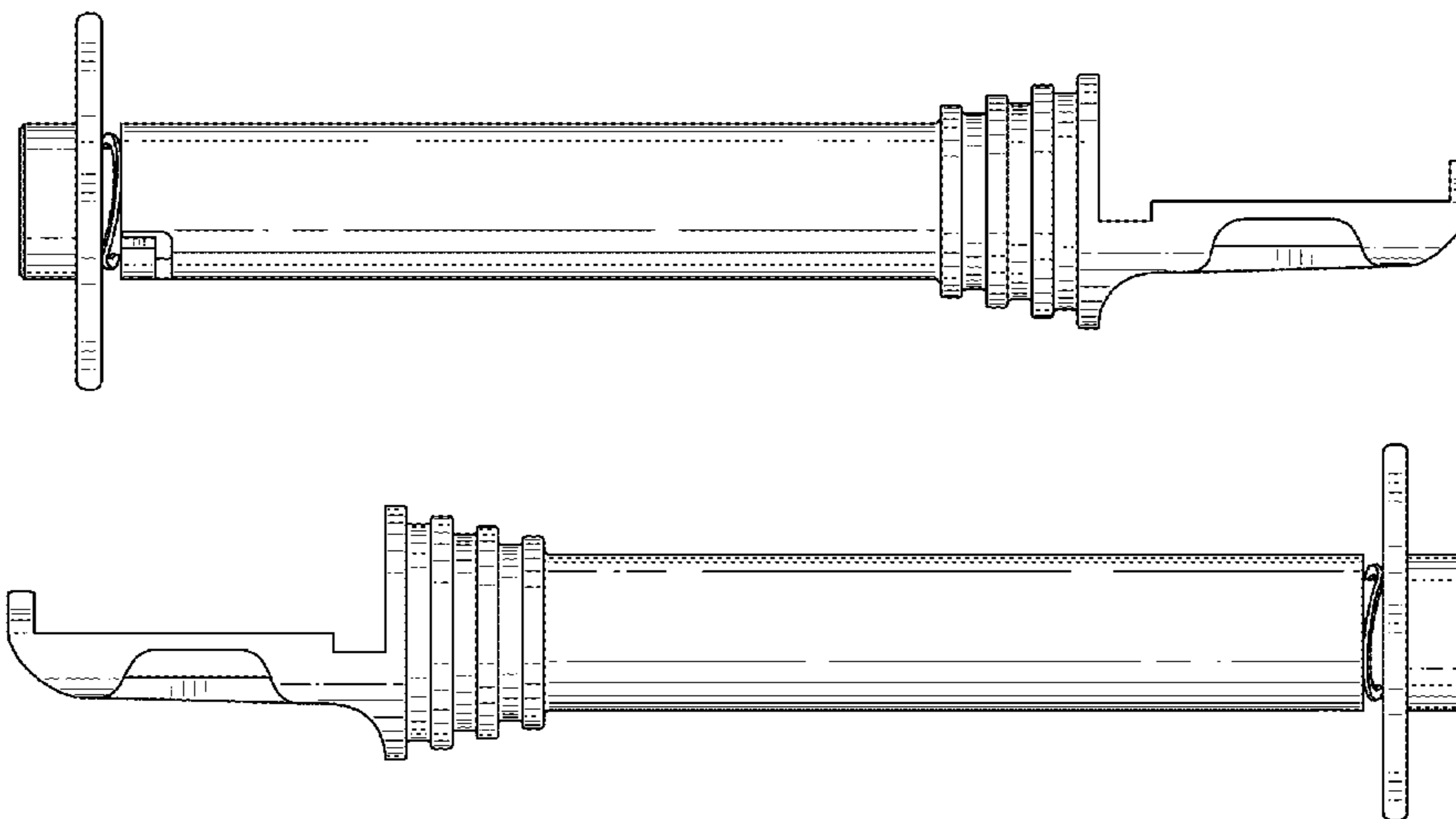
**DESCRIPTION**

FIG. 1 is a front view of an operation-guiding cylinder for  
intraocular lens implantation device showing our new design;  
FIG. 2 is a rear view thereof;  
FIG. 3 is a left side view thereof;  
FIG. 4 is a right side view thereof;  
FIG. 5 is a top plan view thereof;  
FIG. 6 is a bottom view thereof;  
FIG. 7 is a top front perspective view thereof;  
FIG. 8 is a bottom front perspective view thereof; and,  
FIG. 9 is a second front view shown in an environment.

The shading on the entire surface of the article in each draw-  
ing indicates shading for depicting a three-dimensional sur-  
face shape of the article.

The broken lines in the drawings are directed to environment  
and form no part of the claimed design.

**1 Claim, 9 Drawing Sheets**



(56)

**References Cited**

2014/0066946 A1\* 3/2014 Aguilera et al. .... 606/107  
 2014/0200588 A1\* 7/2014 Anderson et al. .... 606/107

U.S. PATENT DOCUMENTS

2001/0007075 A1\* 7/2001 Hjertman et al. .... 606/107  
 2001/0020171 A1\* 9/2001 Heyman et al. .... 606/107  
 2003/0216745 A1\* 11/2003 Brady et al. .... 606/103  
 2004/0054374 A1\* 3/2004 Weber et al. .... 606/107  
 2005/0154354 A1\* 7/2005 Kawasaki et al. .... 604/232  
 2006/0004381 A1\* 1/2006 Feingold et al. .... 606/107  
 2006/0155299 A1\* 7/2006 Waldock et al. .... 606/107  
 2006/0271063 A1\* 11/2006 Sunada et al. .... 606/107  
 2006/0293694 A1\* 12/2006 Futamura ..... 606/107  
 2008/0039862 A1\* 2/2008 Tran ..... 606/107  
 2009/0292294 A1\* 11/2009 Tanaka ..... 606/107  
 2012/0022547 A1\* 1/2012 Hildebrand et al. .... 606/107  
 2014/0012277 A1\* 1/2014 Matthews et al. .... 606/107

FOREIGN PATENT DOCUMENTS

EM 2228783-0002 \* 2/2014  
 EM 2228783-0003 \* 2/2014  
 EM 2228783-0004 \* 2/2014  
 EM 2228783-0006 \* 2/2014  
 EM 2228783-0007 \* 2/2014  
 EM 2228783-0009 \* 2/2014  
 EM 2228783-0010 \* 2/2014  
 JP D1500622 \* 6/2014  
 RU 00090105 \* 4/2013  
 RU 00090785 \* 10/2013

\* cited by examiner

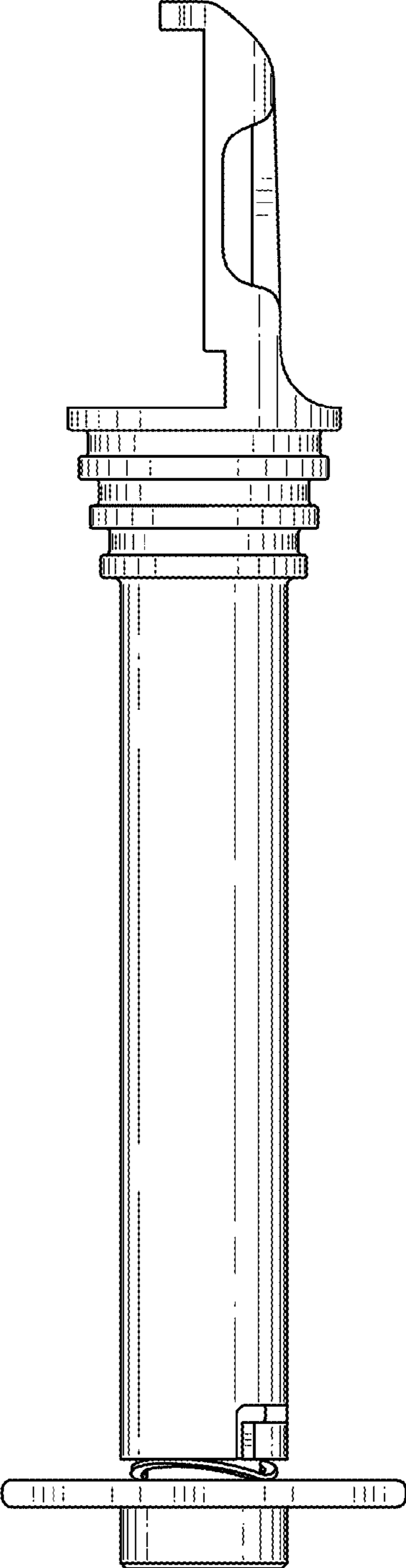


FIG. 1

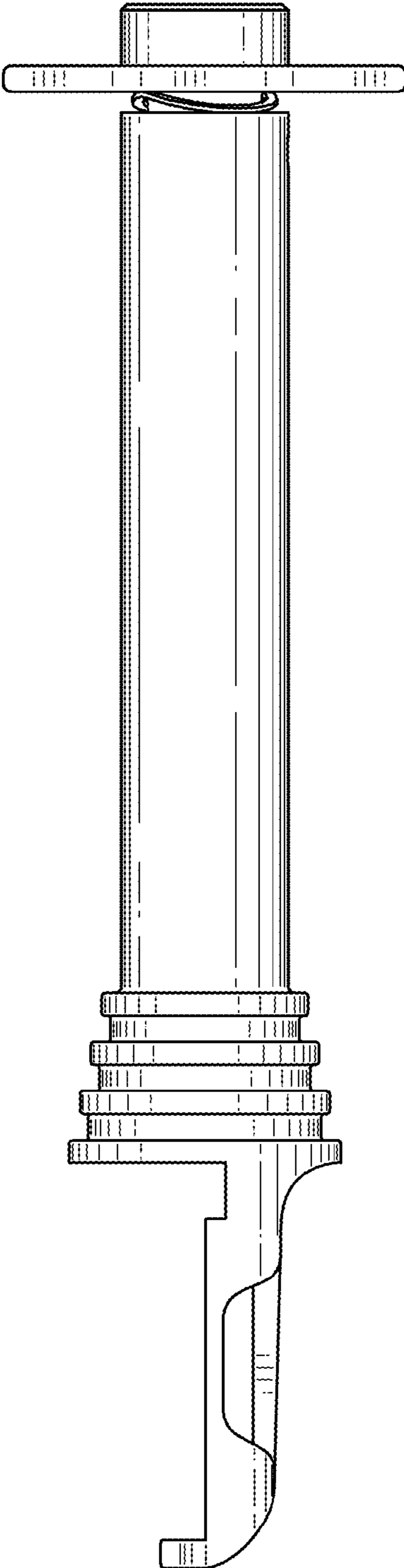


FIG. 2

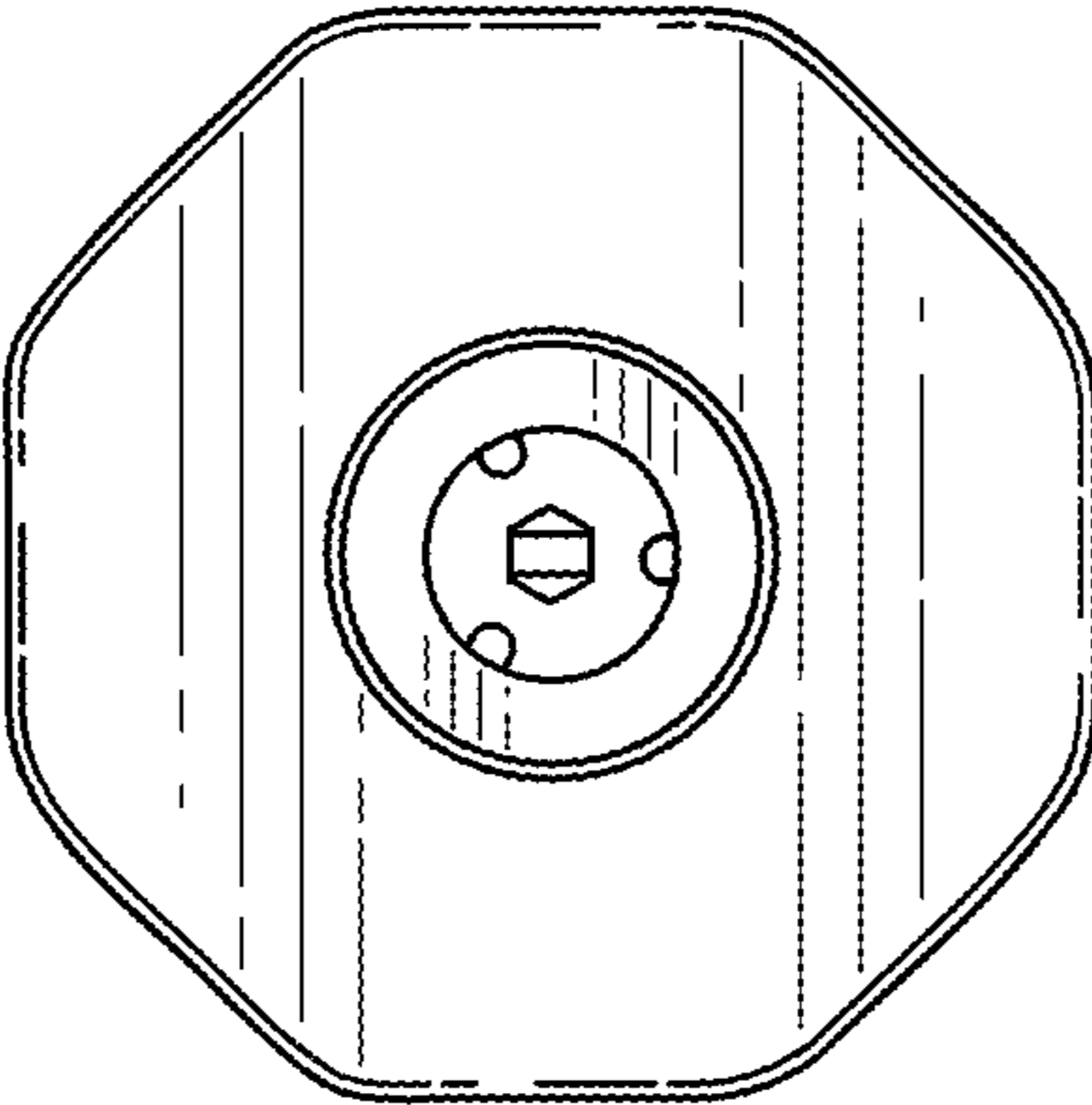


FIG. 3

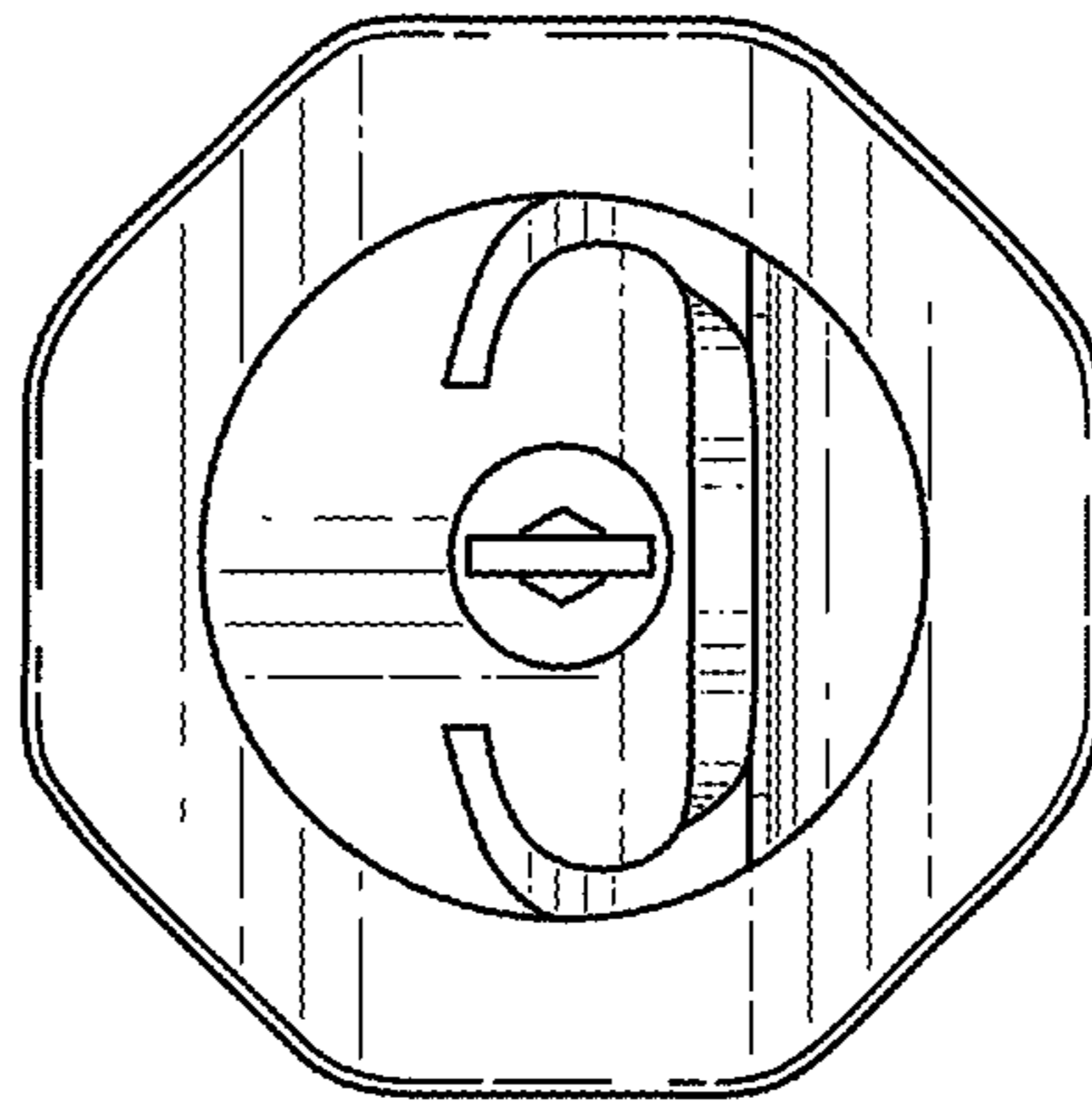


FIG. 4

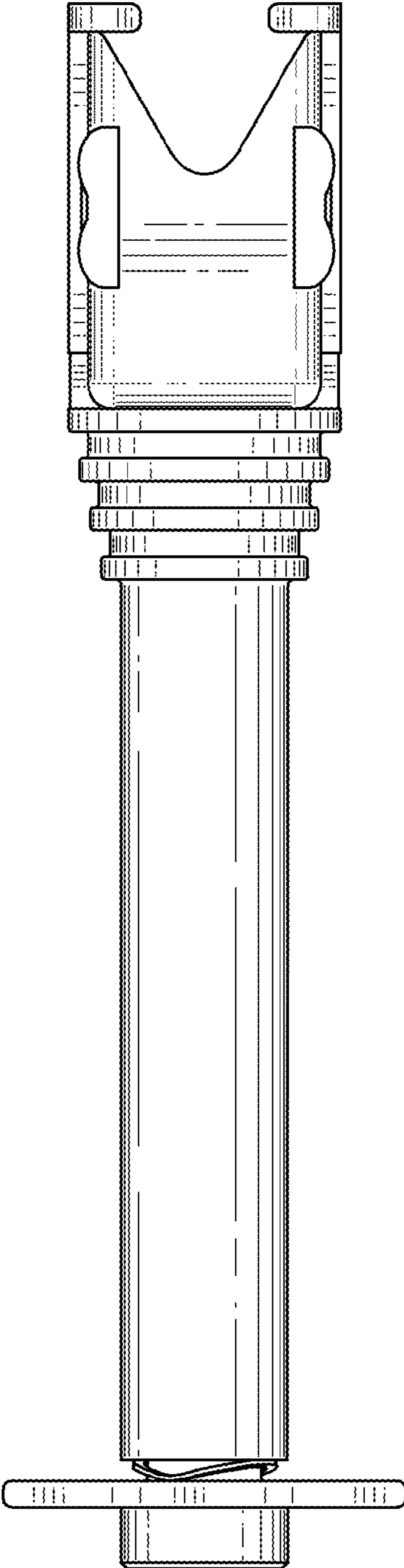


FIG. 5

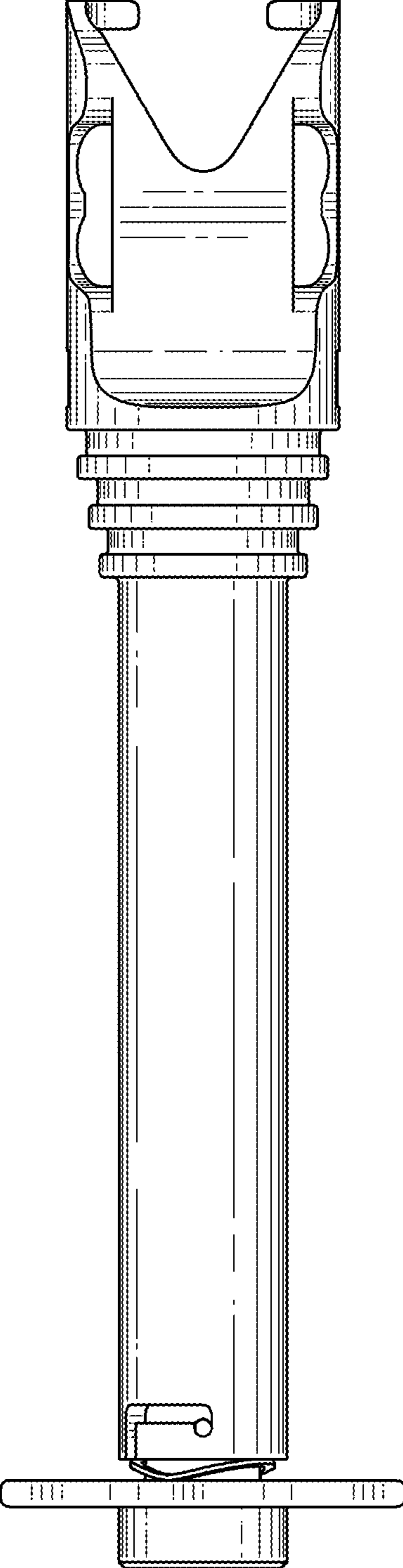


FIG. 6



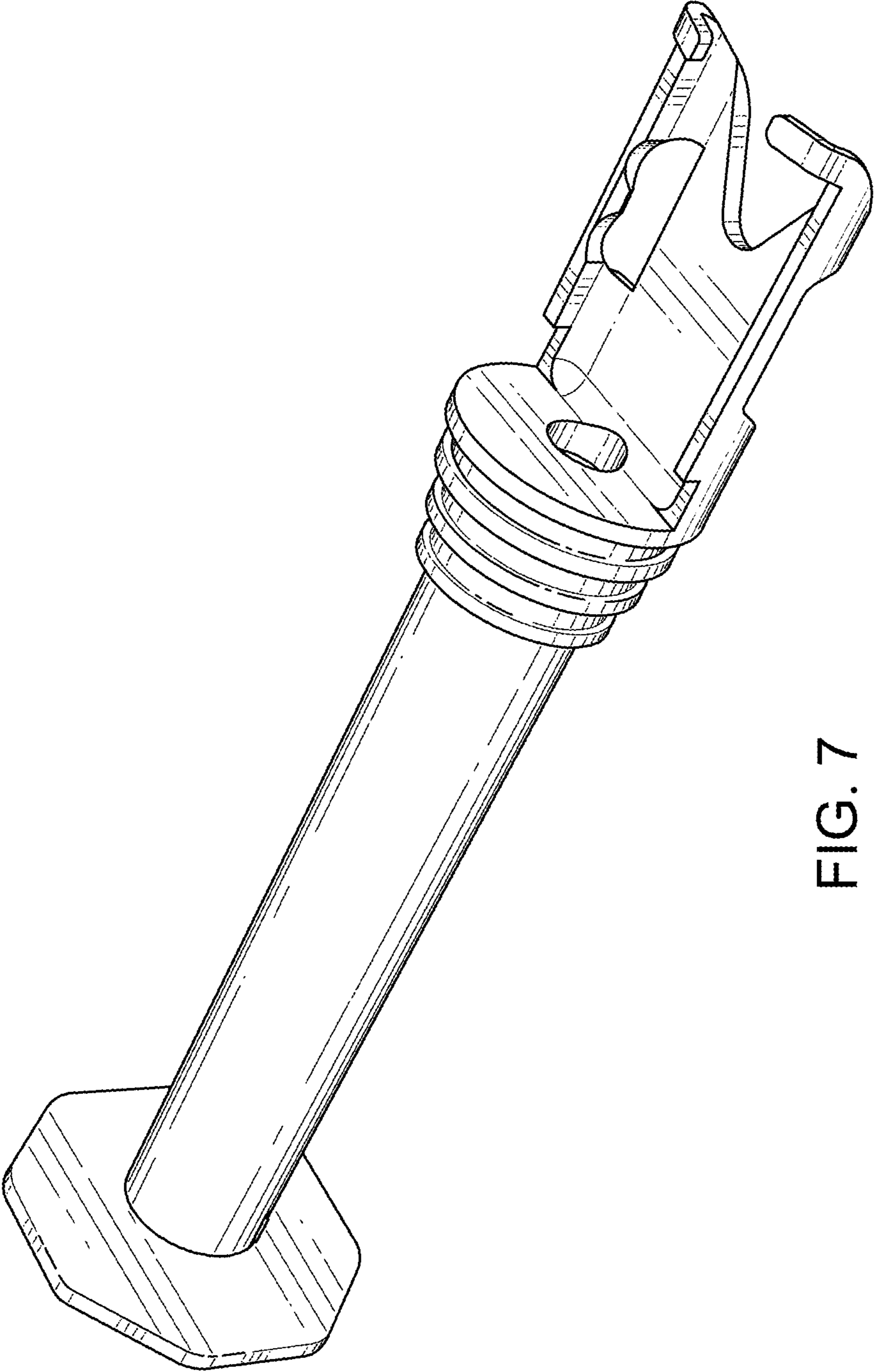


FIG. 7

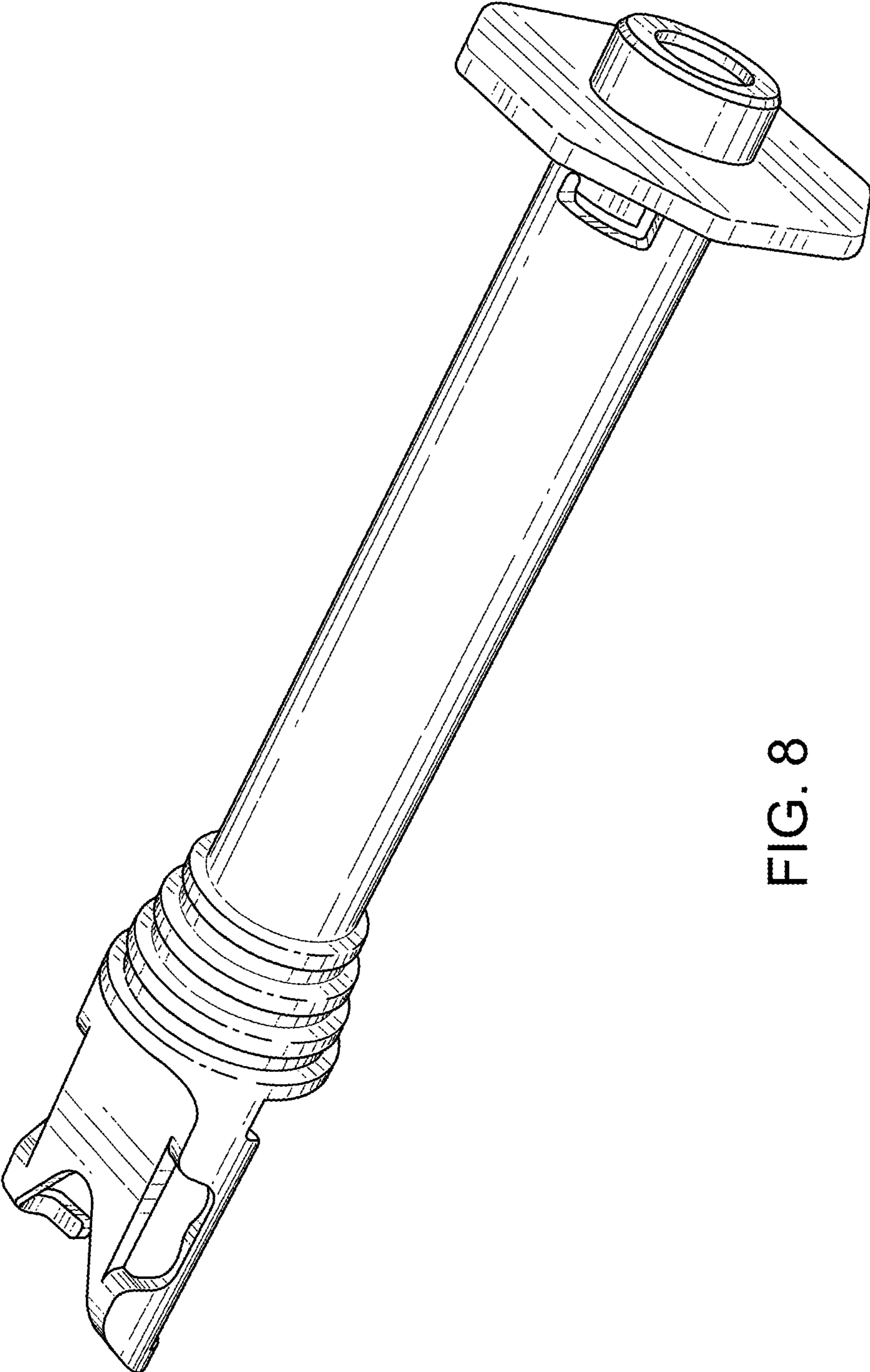


FIG. 8

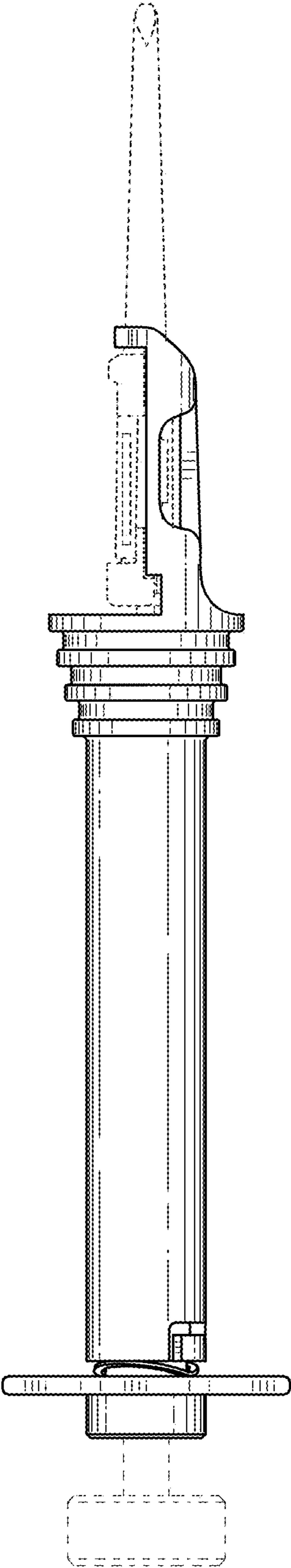


FIG. 9