



US00D748255S

(12) **United States Design Patent**
McGrath et al.

(10) **Patent No.:** **US D748,255 S**

(45) **Date of Patent:** **** Jan. 26, 2016**

(54) **LARYNGOSCOPE BLADE**

(56) **References Cited**

(71) Applicant: **AIRCRAFT MEDICAL LIMITED**,
Edinburgh (GB)

U.S. PATENT DOCUMENTS

(72) Inventors: **Matthew John Ross McGrath**,
Edinburgh (GB); **Peter Douglas Colin Inglis**,
Edinburgh (GB)

D534,652	S	*	1/2007	McGrath	D24/135
D637,714	S	*	5/2011	Clarke et al.	D24/137
D637,716	S	*	5/2011	Clarke et al.	D24/137
D659,246	S	*	5/2012	McGrath et al.	D24/137
D664,653	S	*	7/2012	Doerges	D24/137
8,366,612	B2	*	2/2013	Rosenthal	600/188
8,814,786	B2	*	8/2014	Young et al.	600/188
8,845,525	B2	*	9/2014	McGrath et al.	600/194
2005/0240081	A1	*	10/2005	Eliachar	600/199
2010/0256451	A1	*	10/2010	McGrath et al.	600/185
2013/0060089	A1	*	3/2013	McGrath et al.	600/187
2015/0173598	A1	*	6/2015	Alexander	600/187

(73) Assignee: **AIRCRAFT MEDICAL LIMITED**,
Edinburgh (GB)

(**) Term: **14 Years**

* cited by examiner

(21) Appl. No.: **29/475,257**

Primary Examiner — Bridget L Eland

(22) Filed: **Dec. 2, 2013**

(74) *Attorney, Agent, or Firm* — Nixon & Vanderhye PC

(30) **Foreign Application Priority Data**

(57) **CLAIM**

The ornamental design for an laryngoscope blade, as shown.

May 30, 2013 (EM) 002247080-001

DESCRIPTION

(51) **LOC (10) Cl.** **24-02**

FIG. 1 is a perspective view of an laryngoscope blade showing our new design;

(52) **U.S. Cl.**

FIG. 2 is a back view thereof;

USPC **D24/137**

FIG. 3 is a front view thereof;

(58) **Field of Classification Search**

USPC D24/137, 133, 135, 136, 138

FIG. 4 is a bottom plan view thereof;

CPC A61B 1/267; A61B 1/2673; A61B 1/2676;

FIG. 5 is a side 1 view thereof;

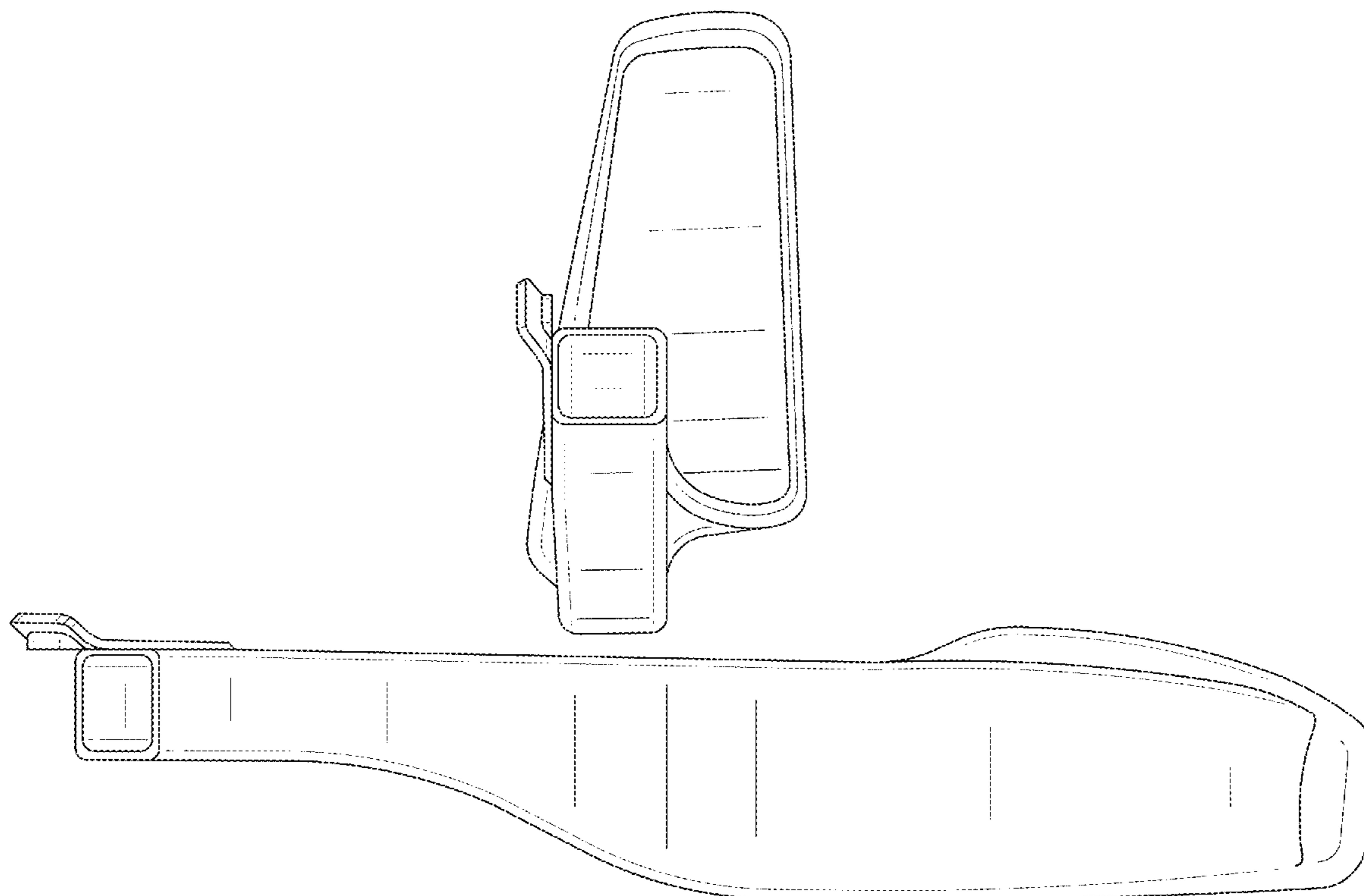
A61B 1/273; A61B 1/2733; A61B 1/2736

FIG. 6 is a top view thereof; and,

See application file for complete search history.

FIG. 7 is a side 2 view thereof.

1 Claim, 7 Drawing Sheets



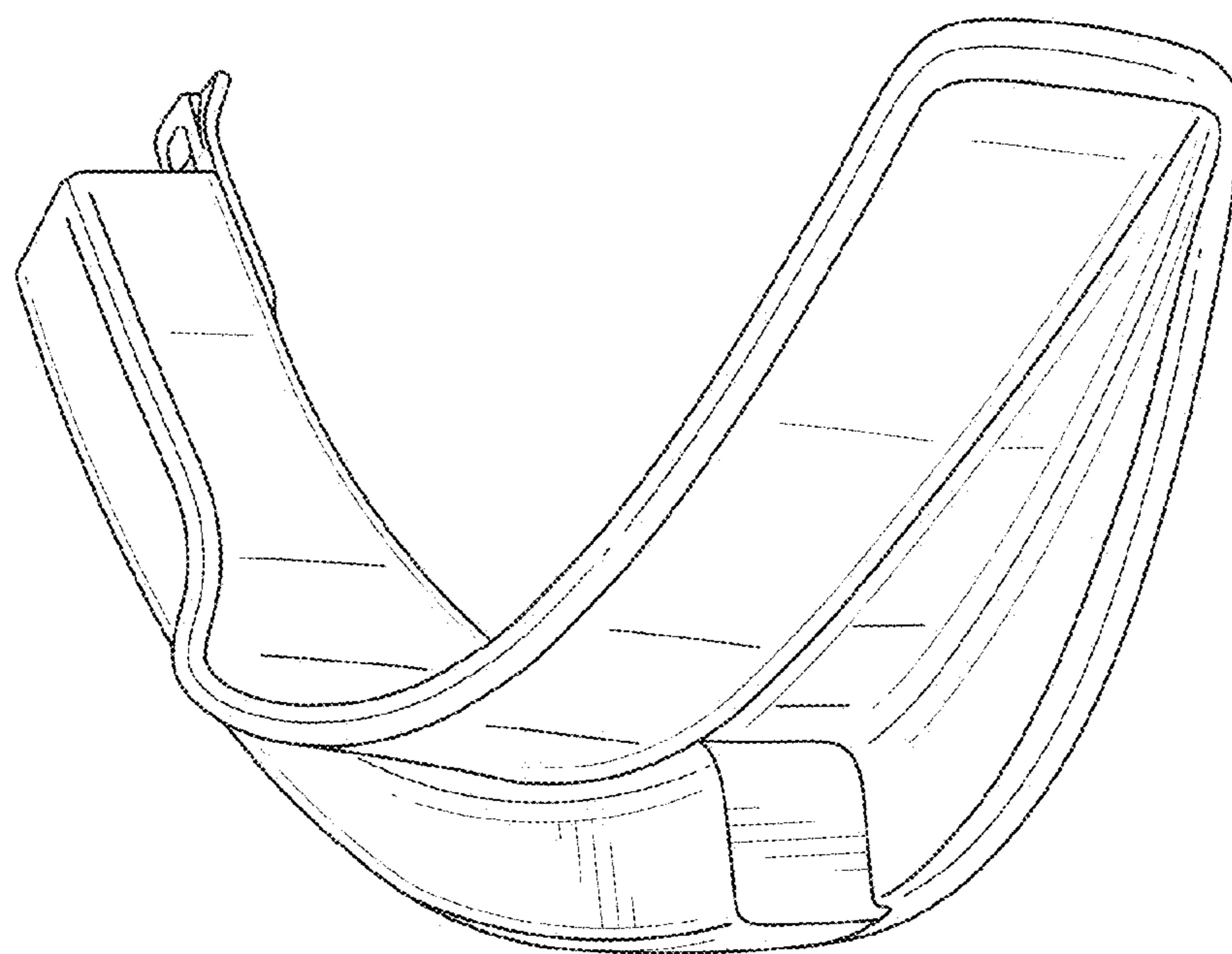


Fig. 1

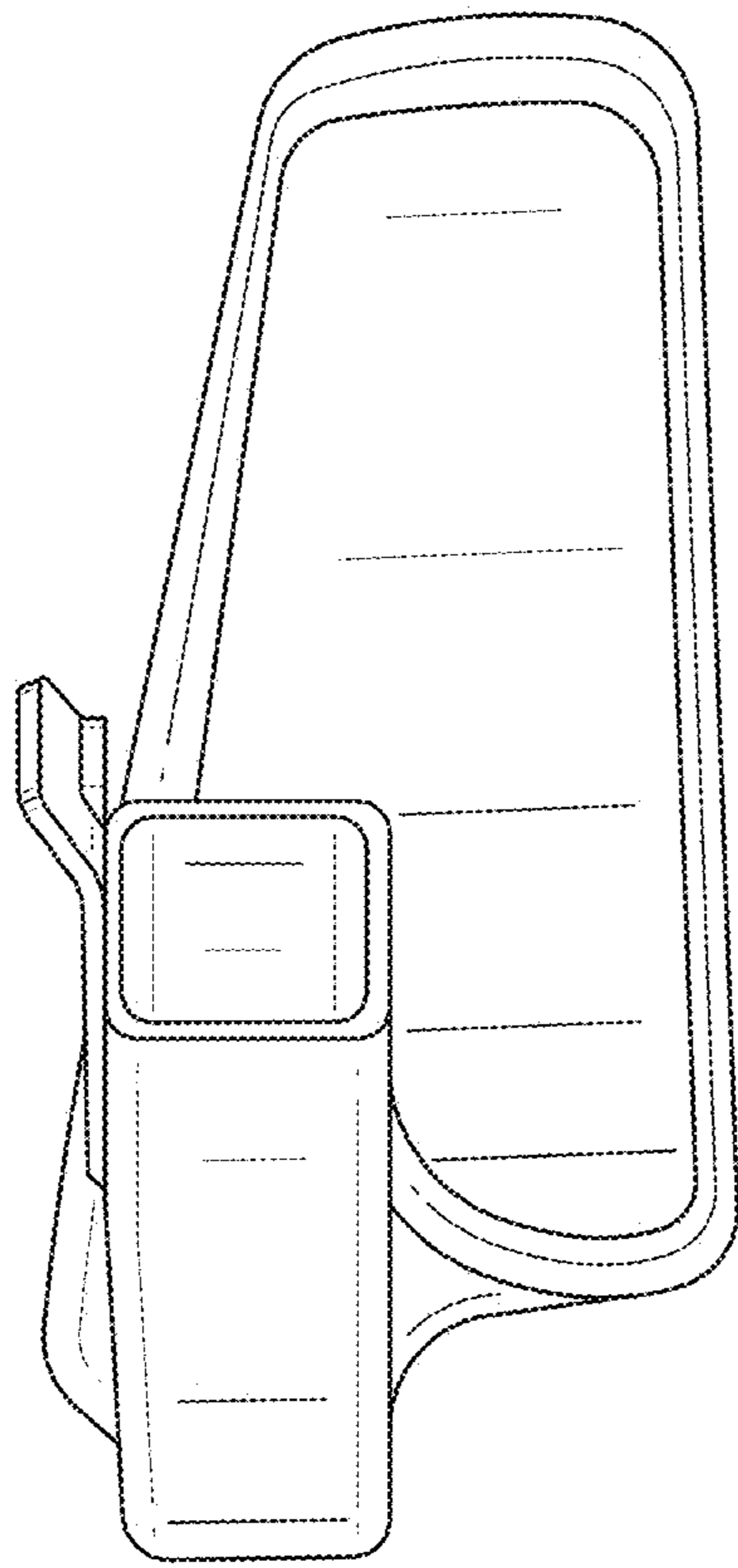


Fig. 2

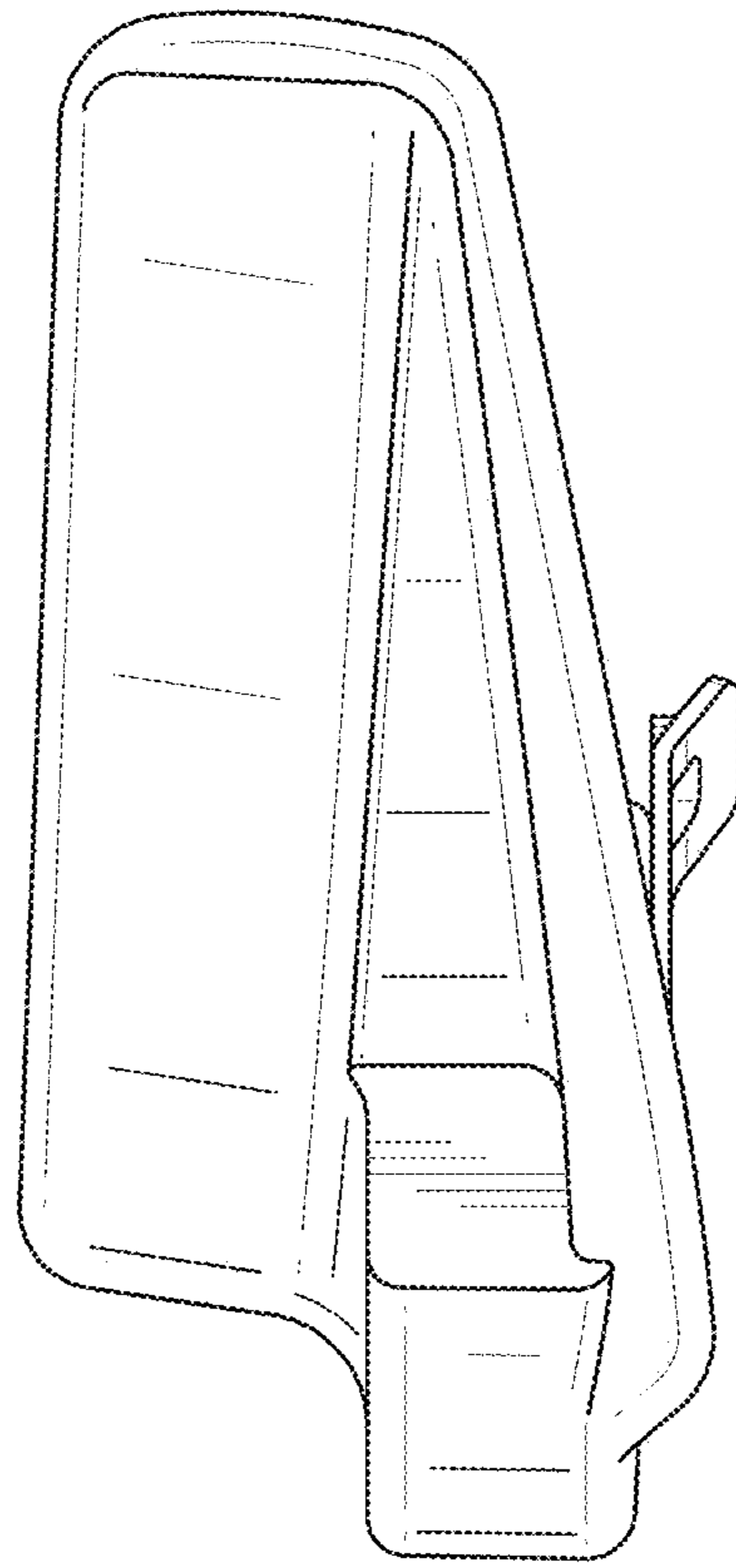


Fig. 3

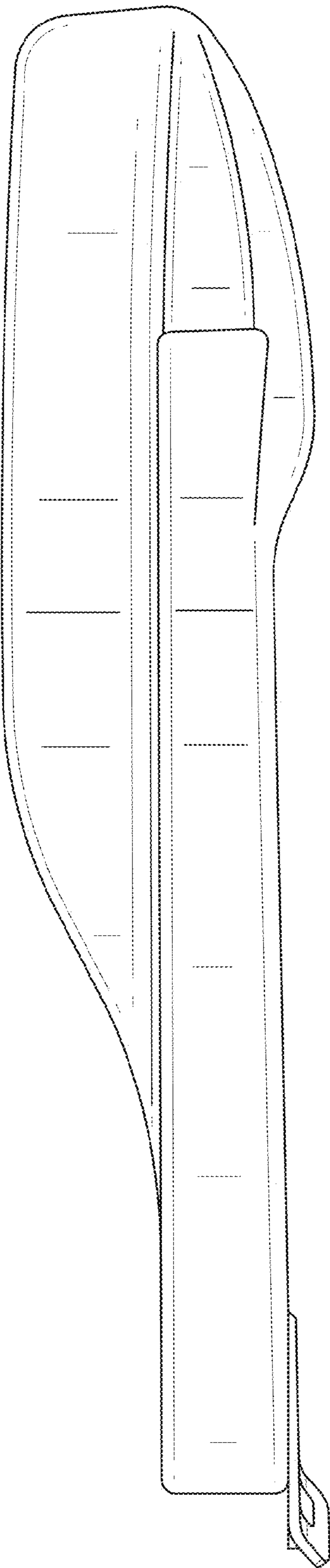


Fig. 4

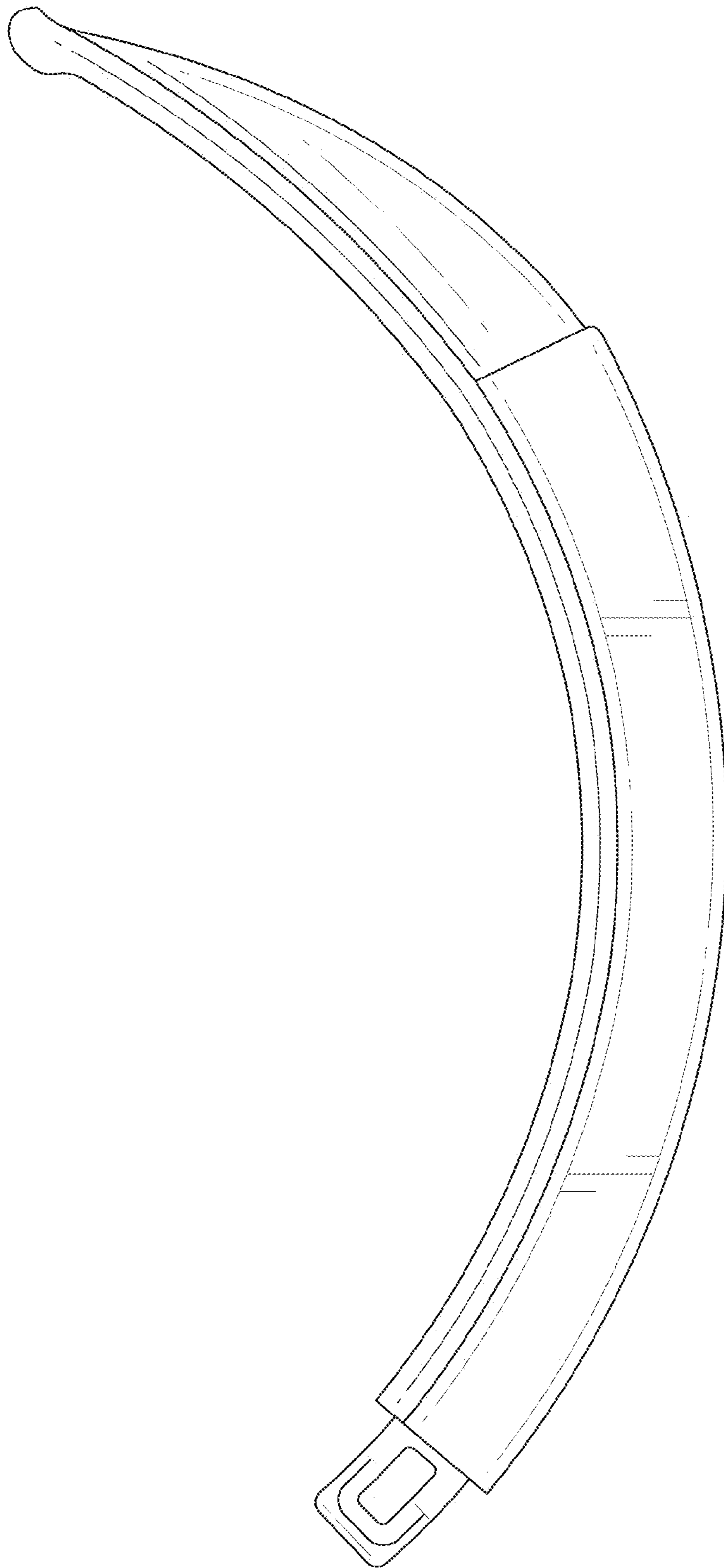


Fig. 5

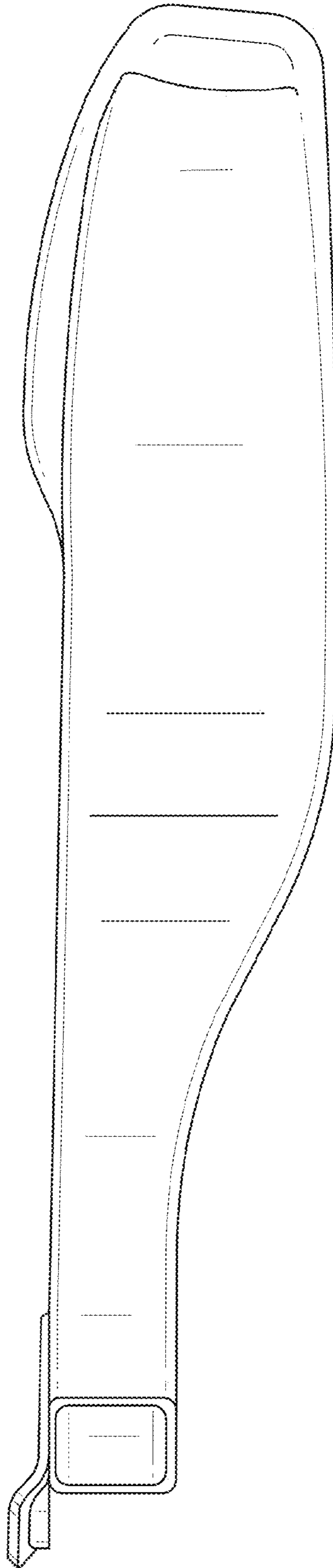


Fig. 6

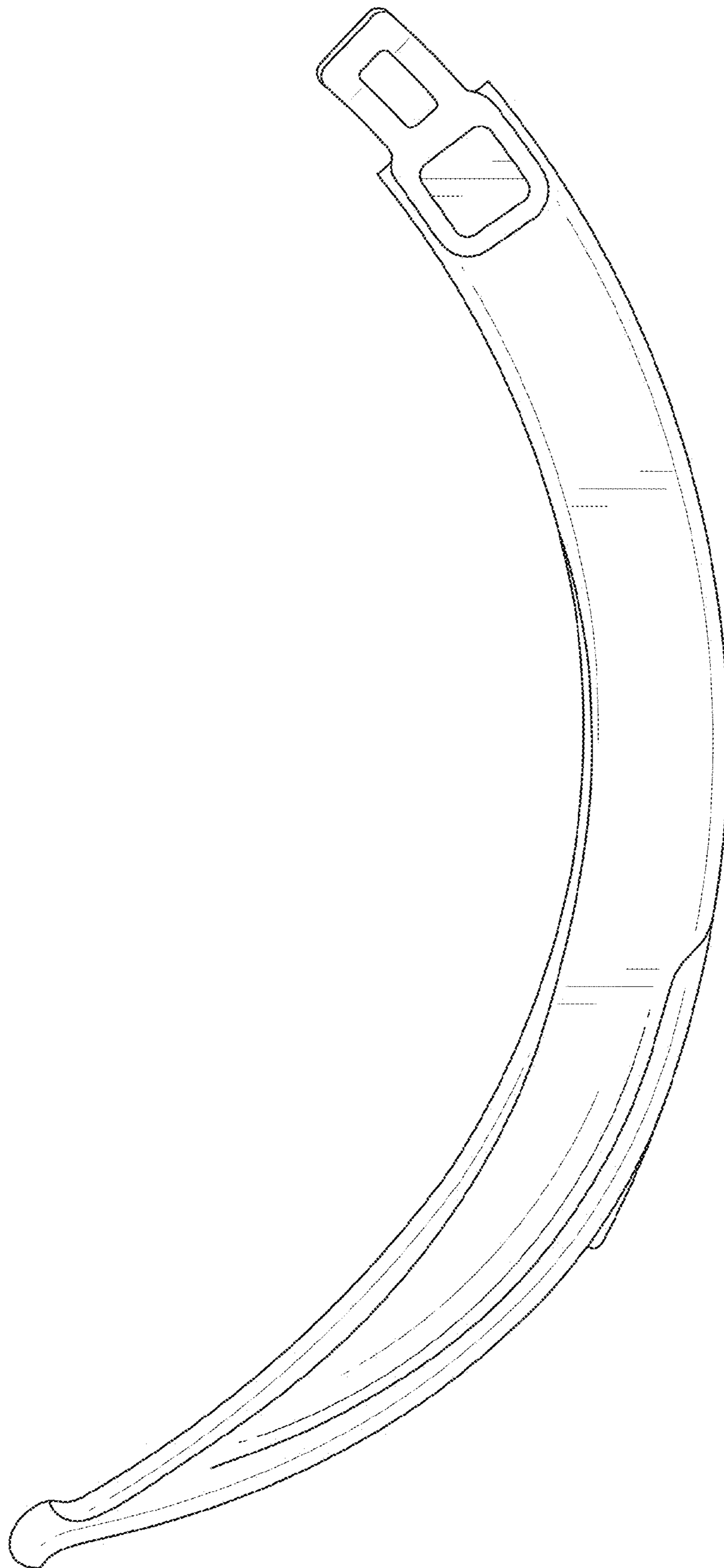


Fig. 7