



US00D748254S

(12) **United States Design Patent**  
**Freigang et al.**

(10) **Patent No.:** **US D748,254 S**

(45) **Date of Patent:** **\*\* Jan. 26, 2016**

(54) **TUNNELER**

(71) Applicant: **B. Braun Melsungen AG**, Melsungen  
(DE)

(72) Inventors: **Helmut Freigang**, Koerle (DE); **Thilo Hogrebe**, Hamburg (DE); **Fred Held**, Hamburg (DE)

(73) Assignee: **B. Braun Melsungen AG**, Melsungen  
(DE)

(\*\*) Term: **14 Years**

(21) Appl. No.: **29/497,835**

(22) Filed: **Jul. 29, 2014**

(30) **Foreign Application Priority Data**

Jan. 29, 2014 (EM) ..... 001401434-0003

(51) **LOC (10) Cl.** ..... **24-02**

(52) **U.S. Cl.**  
USPC ..... **D24/133**

(58) **Field of Classification Search**  
USPC ..... D24/133, 108, 144, 146, 147, 145;  
D8/40, 82, 303; 606/40, 41, 46, 45,  
606/167, 147  
CPC ..... A61B 17/32; A61B 17/320016; A61B  
17/3415; A61M 25/0194

See application file for complete search history.

(56) **References Cited**

U.S. PATENT DOCUMENTS

D483,475 S \* 12/2003 Kirwan ..... D24/108  
D629,098 S \* 12/2010 Sonleiter ..... D24/133  
D674,489 S \* 1/2013 McCormack ..... D24/133  
D692,134 S \* 10/2013 Lee-Sepsick ..... D24/146  
D736,923 S \* 8/2015 Snow ..... D24/146  
2005/0027282 A1 \* 2/2005 Schweikert ..... A61B 17/3415  
604/523  
2012/0043347 A1 \* 2/2012 Meron ..... A61B 17/00491  
222/137  
2014/0188148 A1 \* 7/2014 le Blanc ..... A61B 17/32  
606/181

\* cited by examiner

*Primary Examiner* — Wan Laymon

*Assistant Examiner* — Mark Booker

(74) *Attorney, Agent, or Firm* — Harris Beach PLLC

(57) **CLAIM**

The ornamental design for a tunneler, as shown and described.

**DESCRIPTION**

FIG. 1 is a perspective view of a tunneler, illustrating our new design;

FIG. 2 is a front elevation view thereof;

FIG. 3 is an enlarged rear elevation view thereof;

FIG. 4 is a top elevation view thereof;

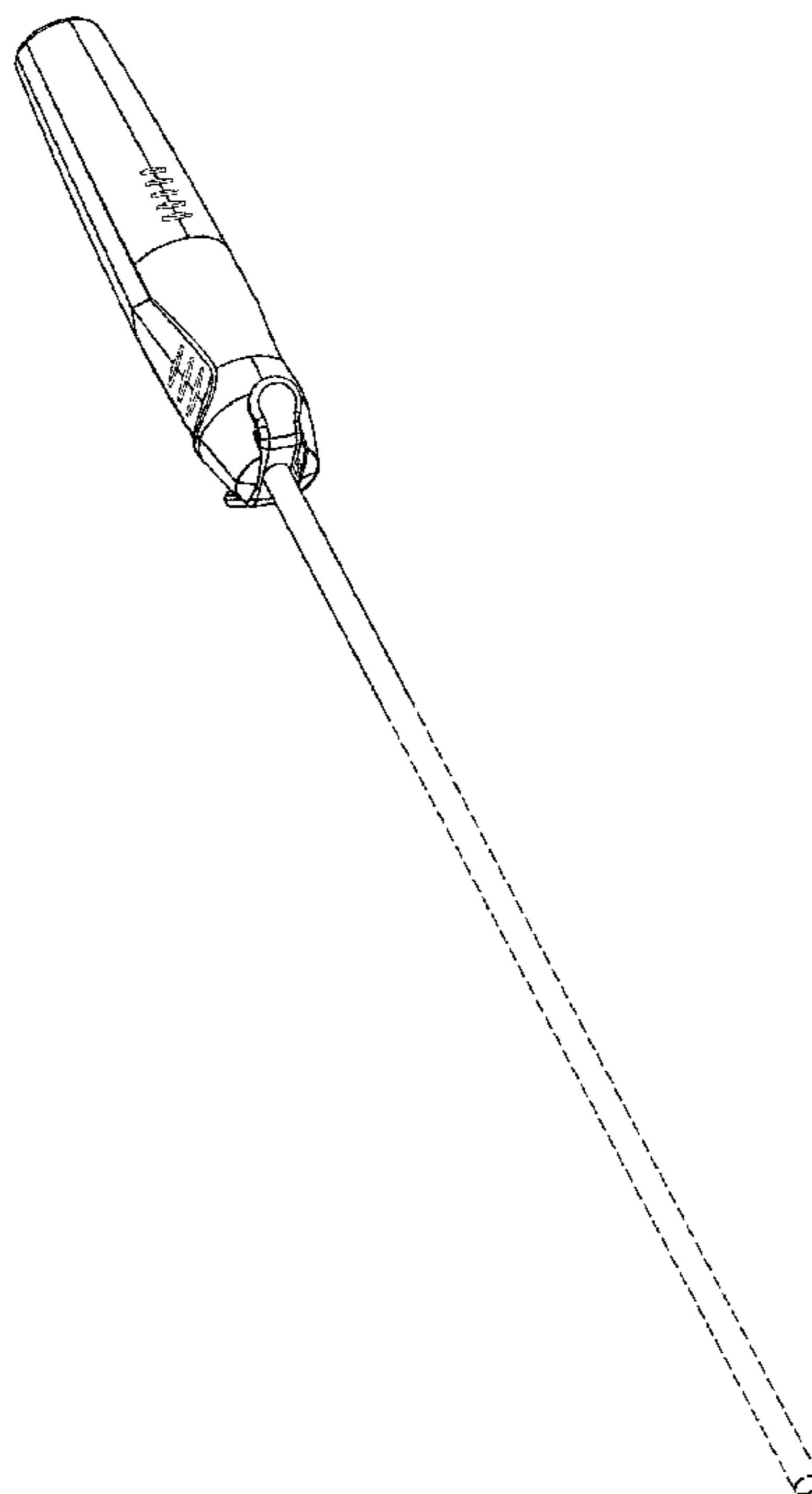
FIG. 5 is a bottom elevation view thereof;

FIG. 6 is a left end elevation view thereof; and,

FIG. 7 is a right end elevation view thereof.

The broken lines shown in the figures are included for the purpose of illustrating portions of the article and form no part of the claimed design.

**1 Claim, 7 Drawing Sheets**



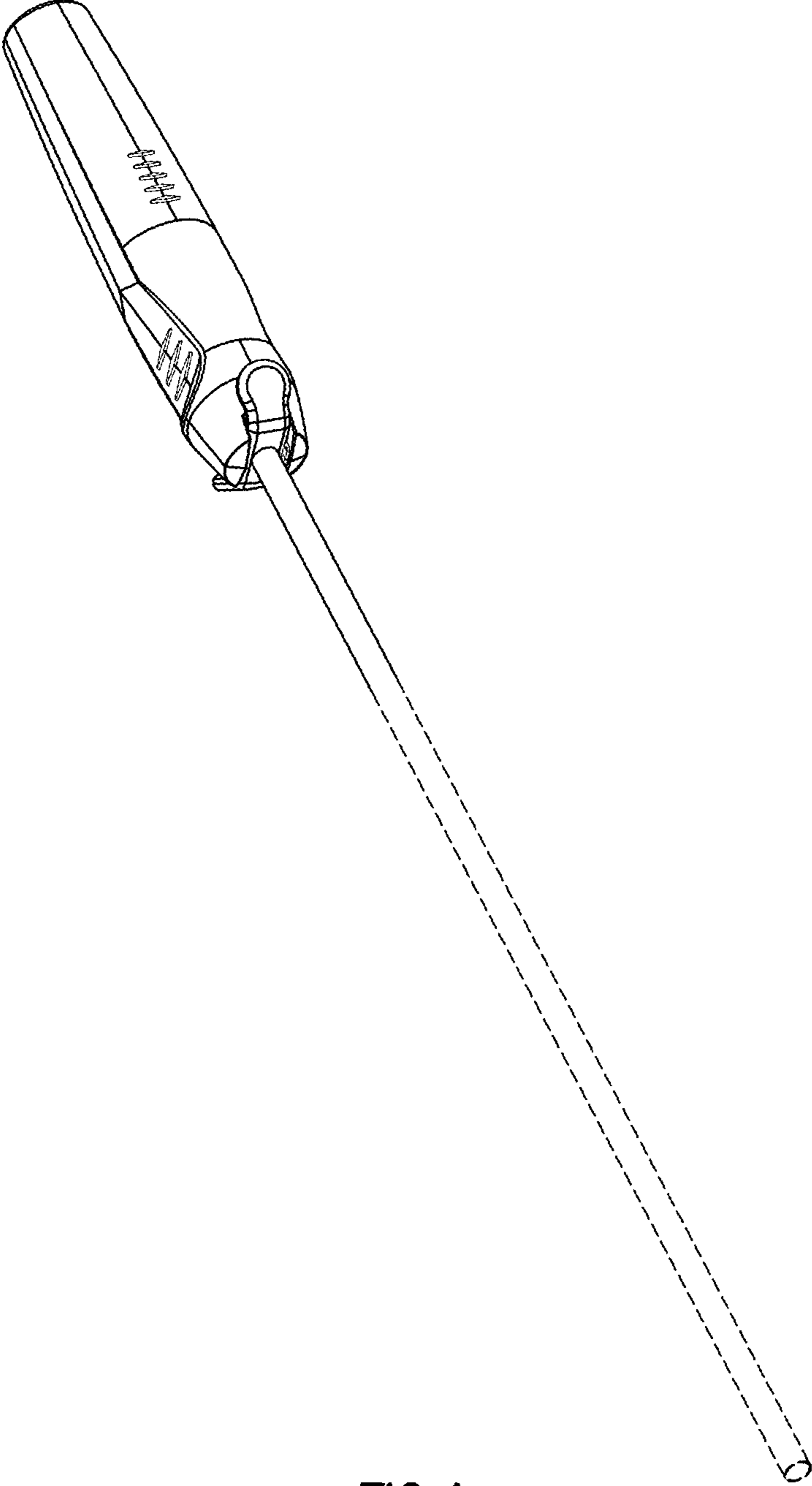


FIG. 1

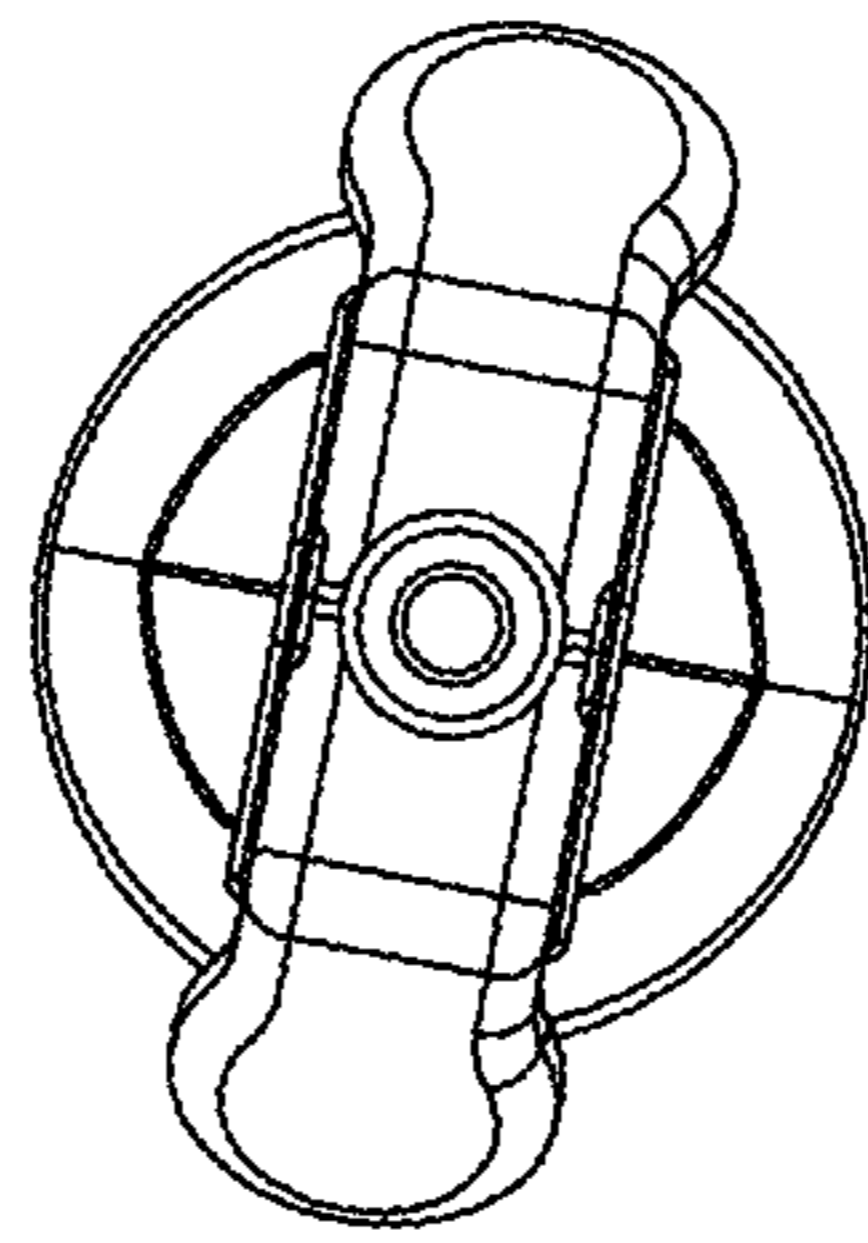


FIG. 2

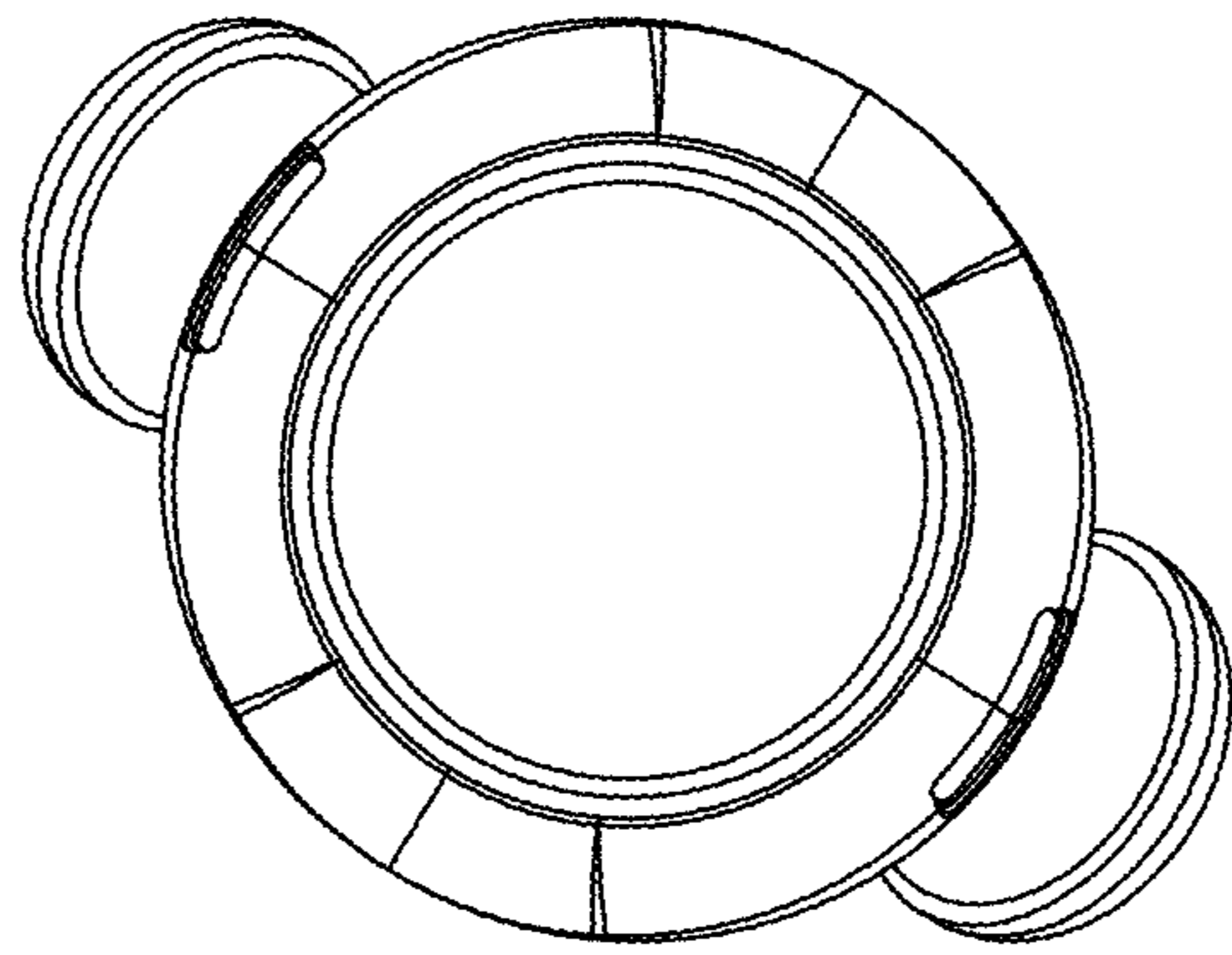


FIG.3

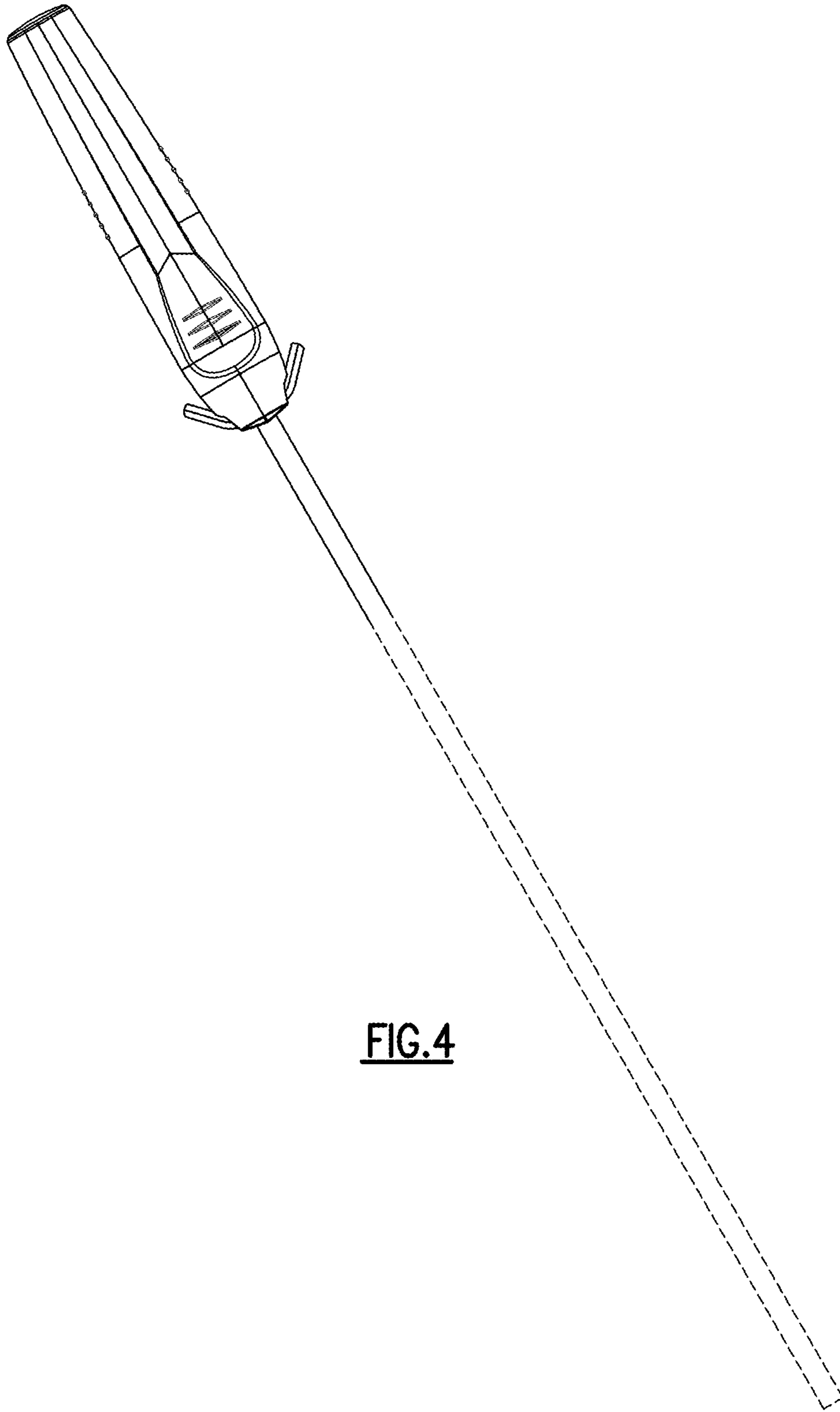


FIG. 4

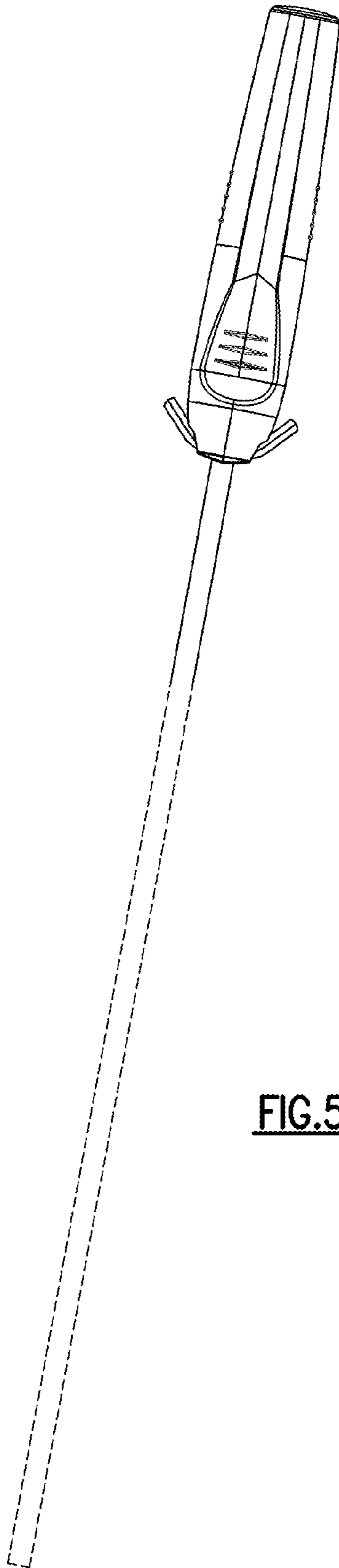


FIG.5

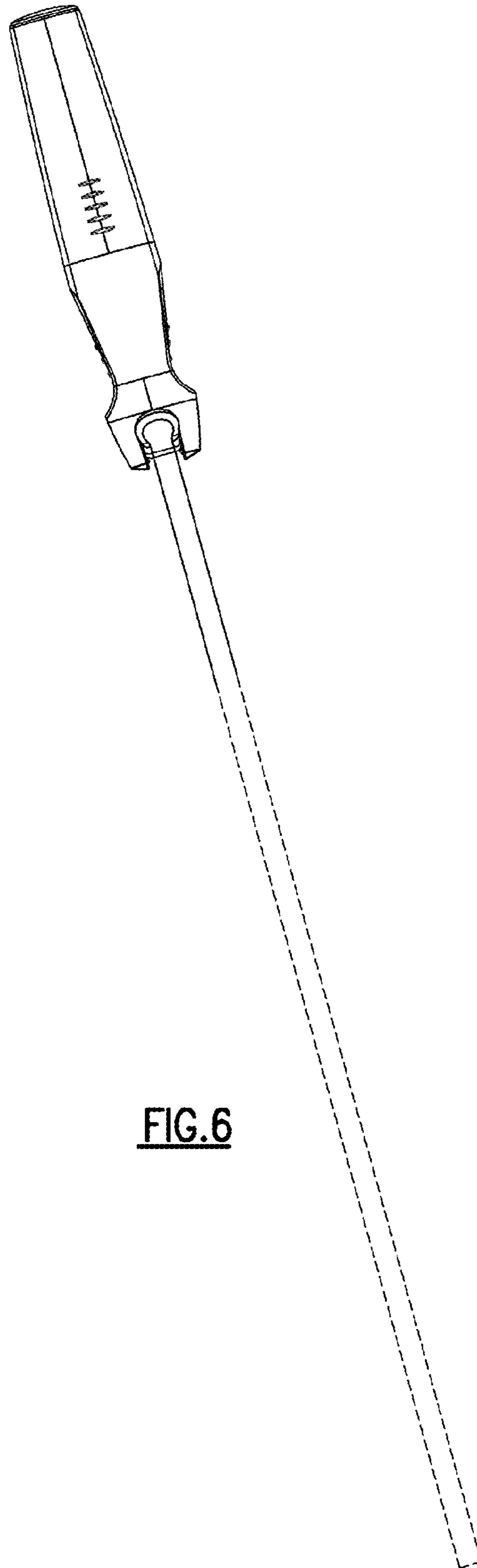


FIG.6

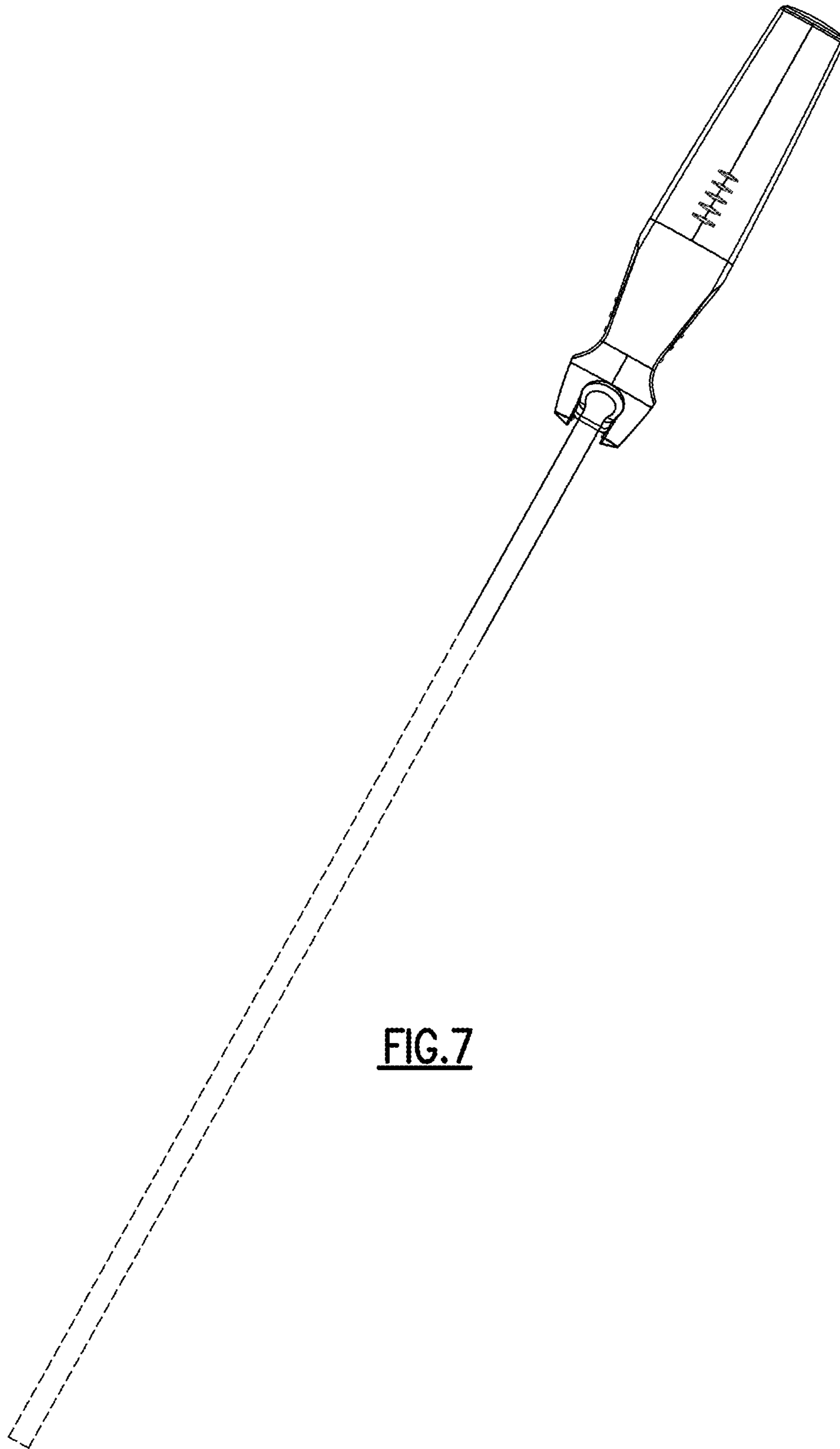


FIG. 7