



US00D748253S

(12) **United States Design Patent**  
**Ratjen et al.**

(10) **Patent No.:** **US D748,253 S**  
(45) **Date of Patent:** **\*\* Jan. 26, 2016**

(54) **CAP FOR A MEDICAMENT INJECTION DEVICE**

(71) Applicants: **SANOFI**, Paris (FR); **REGENERON PHARMACEUTICALS, INC.**, Tarrytown, NY (US)

(72) Inventors: **Jochen Ratjen**, Nacka (SE); **Katja Wessel**, Stockholm (SE)

(73) Assignees: **SANOFI**, Paris (FR); **REGENERON PHARMACEUTICALS, INC.**, Tarrytown, NY (US)

(\*\*) Term: **15 Years**

(21) Appl. No.: **29/536,409**

(22) Filed: **Aug. 17, 2015**

**Related U.S. Application Data**

(62) Division of application No. 29/483,790, filed on Mar. 3, 2014, now Pat. No. Des. 739,932.

(51) **LOC (10) Cl.** ..... **24-01**

(52) **U.S. Cl.**  
USPC ..... **D24/130**

(58) **Field of Classification Search**  
USPC ..... D24/127-131, 112-114, 133, 186; 606/181, 185; 604/264, 272, 115, 232, 604/187, 158, 164.08, 192, 263, 163, 181, 604/184, 198, 227; 600/101, 139, 143; 128/200.24, 207.14, 207.15  
CPC ..... Y10S 128/919; A61M 2005/3109  
See application file for complete search history.

(56) **References Cited**

**U.S. PATENT DOCUMENTS**

4,636,202 A 1/1987 Lowin et al.  
D315,407 S \* 3/1991 Bradrick ..... D24/114  
5,045,066 A 9/1991 Scheuble et al.  
5,163,917 A \* 11/1992 Huefner ..... A61M 5/326  
604/198

5,437,647 A \* 8/1995 Firth ..... A61B 5/1405  
604/110  
5,501,670 A 3/1996 Sak  
D385,628 S \* 10/1997 Echevarria ..... D24/112  
D449,104 S 10/2001 Baker et al.  
RE37,439 E 11/2001 Firth et al.  
6,585,685 B2 7/2003 Staylor et al.  
6,595,978 B2 \* 7/2003 Granier ..... A61M 5/24  
600/578  
D484,244 S 12/2003 Starnes  
D641,078 S \* 7/2011 Morgan ..... D24/114  
8,057,433 B2 11/2011 Cuca et al.  
D652,516 S \* 1/2012 Sherwood ..... D24/133  
D671,638 S 11/2012 Young et al.  
D677,380 S 3/2013 Julian et al.  
D677,785 S 3/2013 Stones et al.

(Continued)

**FOREIGN PATENT DOCUMENTS**

WO 2013/135566 9/2013

*Primary Examiner* — David Muller

*Assistant Examiner* — Nathan Johnston

(74) *Attorney, Agent, or Firm* — McDonnell Boehnen Hulbert & Berghoff LLP

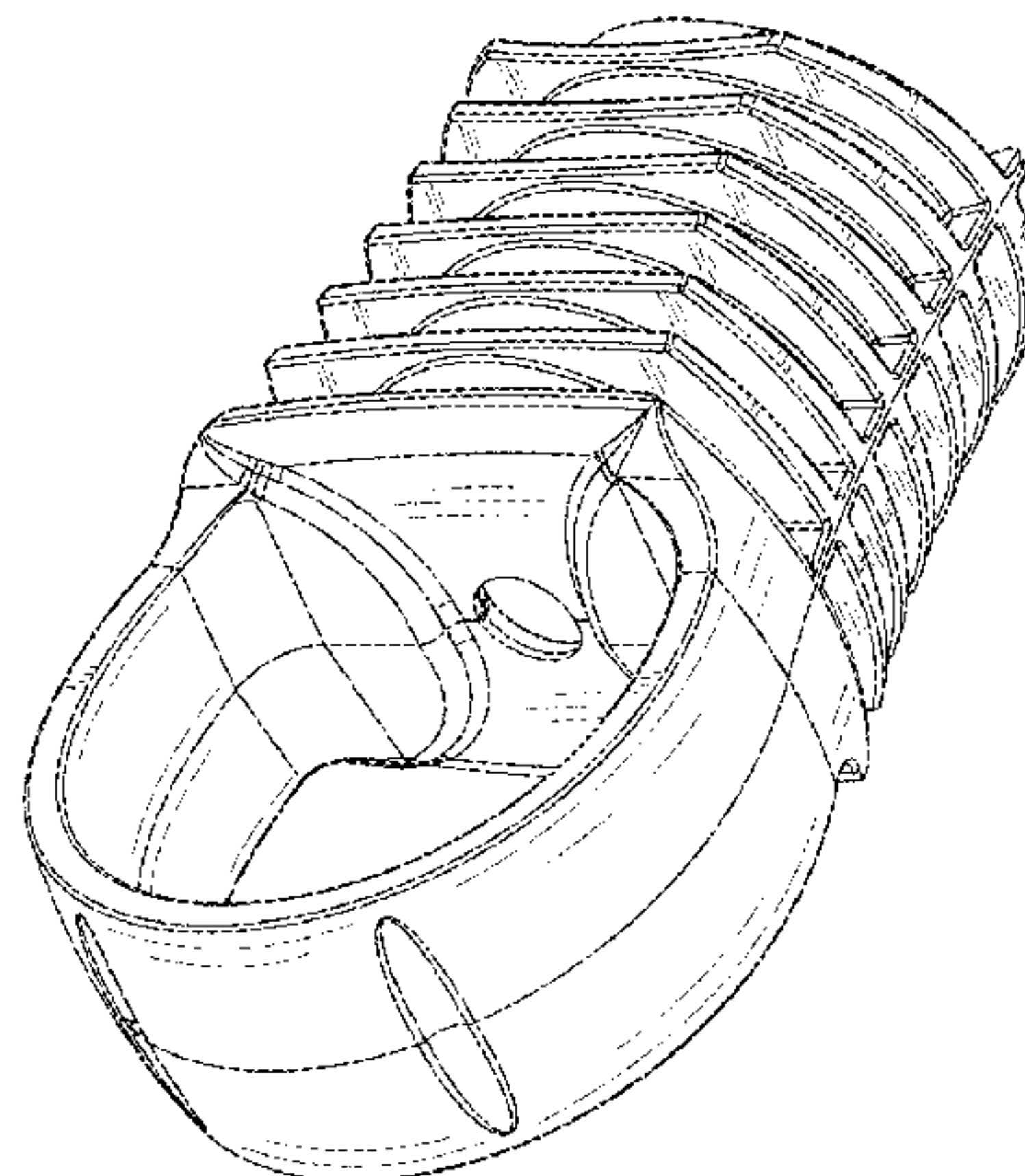
(57) **CLAIM**

The ornamental cap for a medicament injection device, as shown and described.

**DESCRIPTION**

FIG. 1 is a perspective view of the cap for a medicament injection device viewed from the front and left of and above the cap;  
FIG. 2 is a front end elevation view thereof;  
FIG. 3 is a rear end elevation view thereof;  
FIG. 4 is a top plan view thereof;  
FIG. 5 is a bottom plan view thereof;  
FIG. 6 is a left side elevation view thereof; and,  
FIG. 7 is a right side elevation view thereof.  
The features shown in broken lines depict environmental subject matter only and form no part of the claimed design.

**1 Claim, 6 Drawing Sheets**



(56)

**References Cited**

U.S. PATENT DOCUMENTS

D694,879 S 12/2013 Julian et al.  
D726,902 S \* 4/2015 McLoughlin ..... D24/113  
D730,515 S \* 5/2015 Shahidi Bonjar ..... D24/114  
D735,848 S \* 8/2015 Dubuc ..... D24/113

2009/0137966 A1\* 5/2009 Rueckert ..... A61M 5/3137  
604/227  
2010/0211007 A1\* 8/2010 Lesch, Jr. .... A61M 25/1018  
604/97.02

2014/0330203 A1 11/2014 McLoughlin et al.

\* cited by examiner

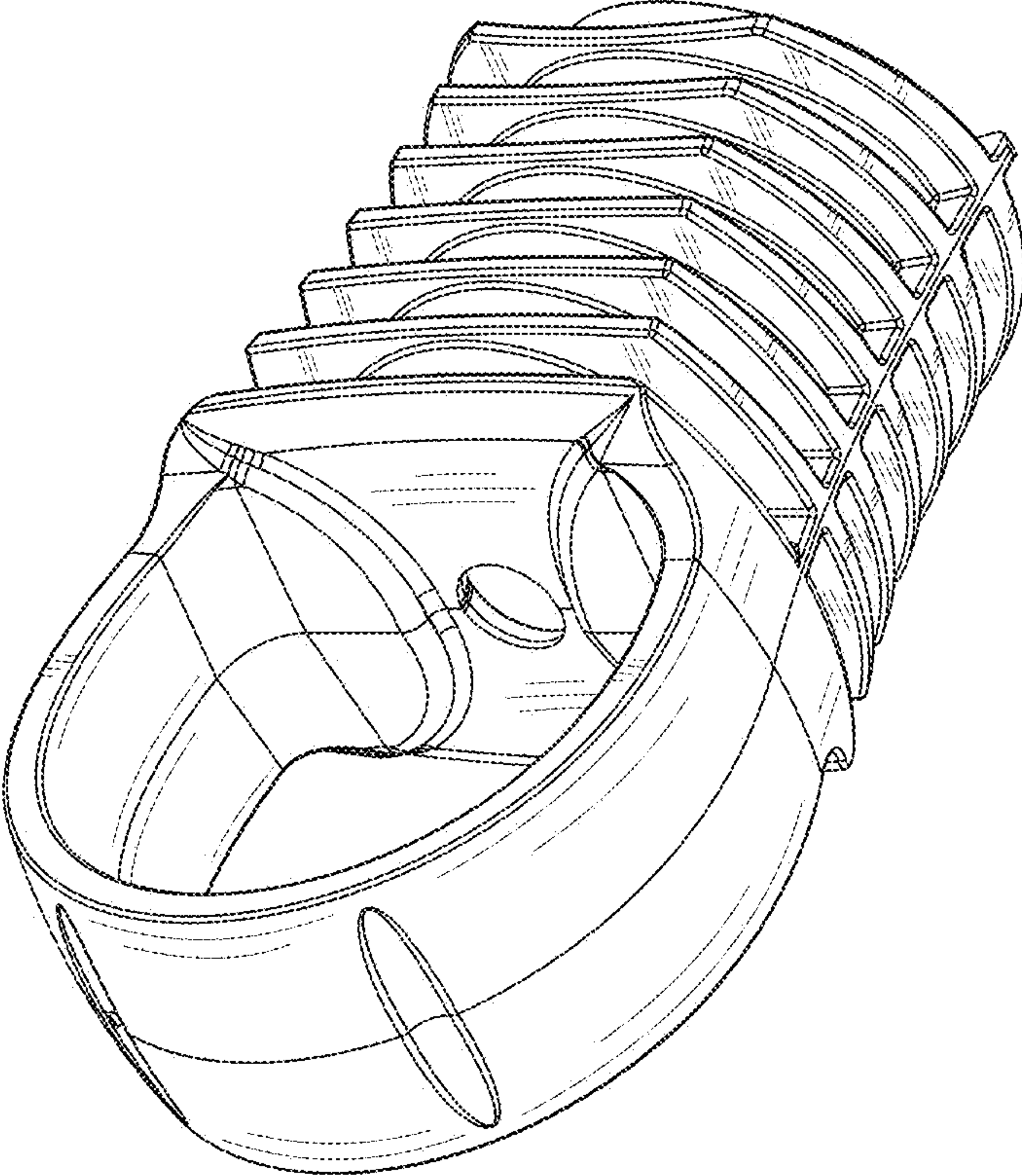


FIG. 1

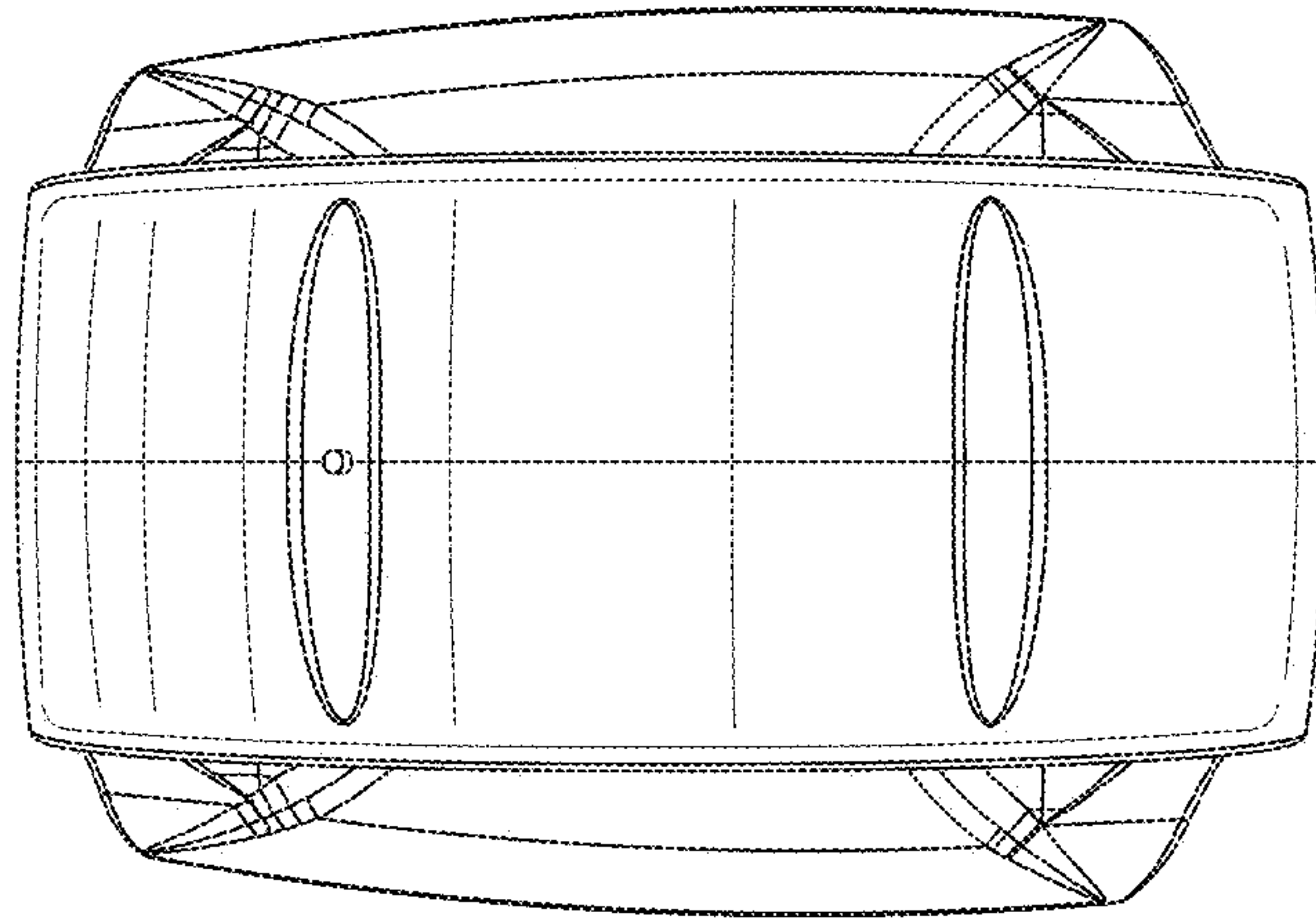


FIG. 2

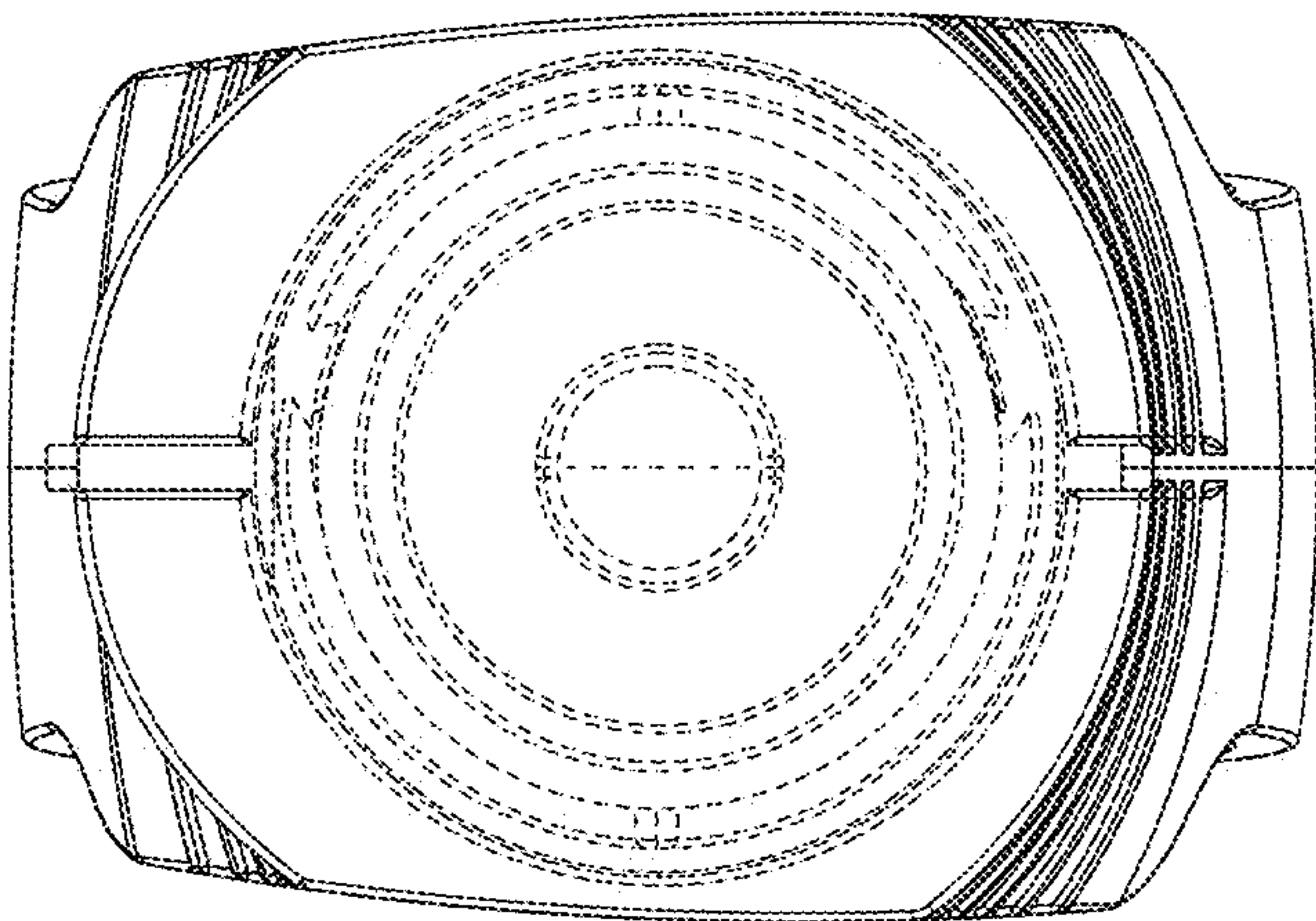


FIG. 3



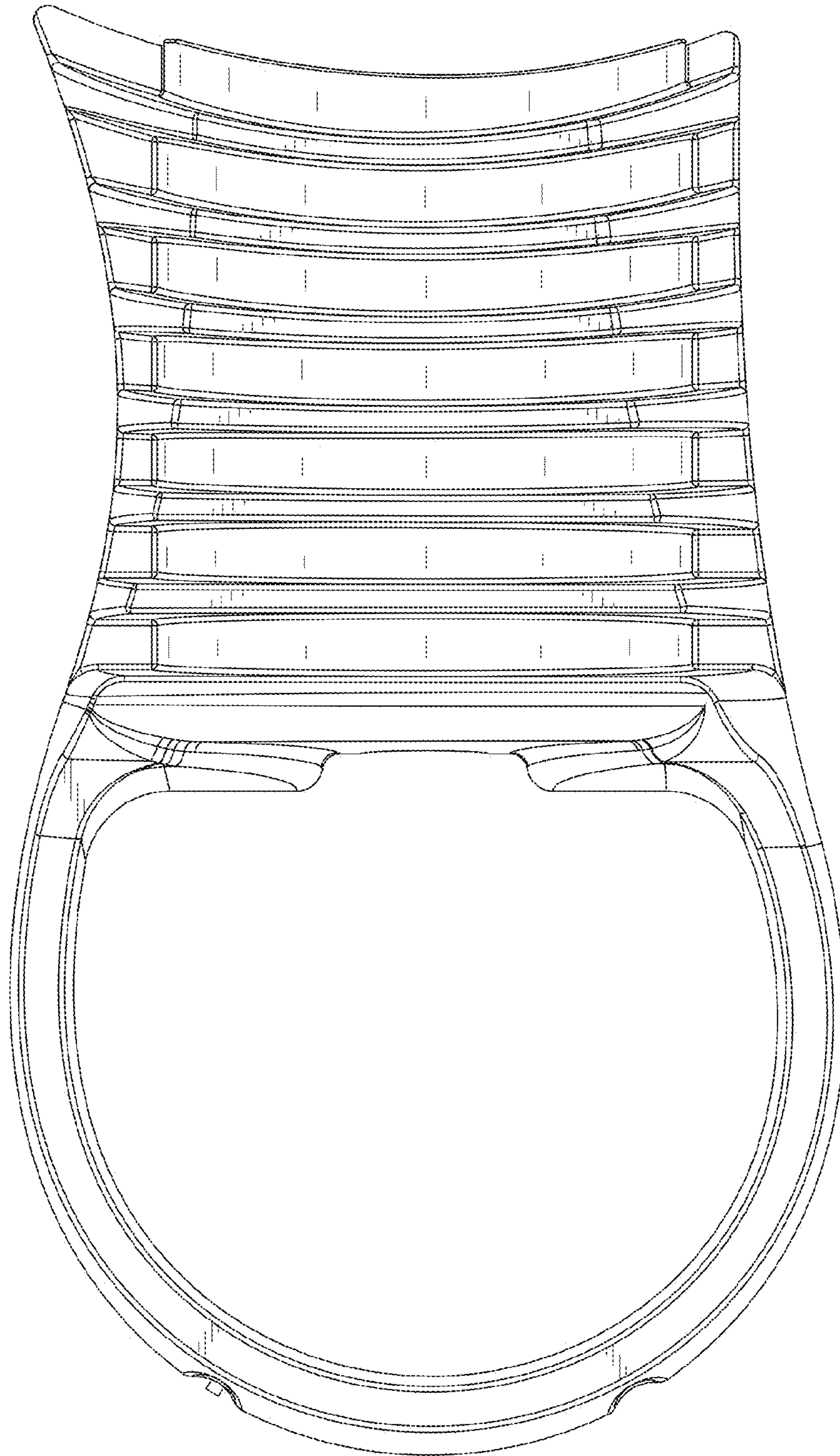


FIG. 4

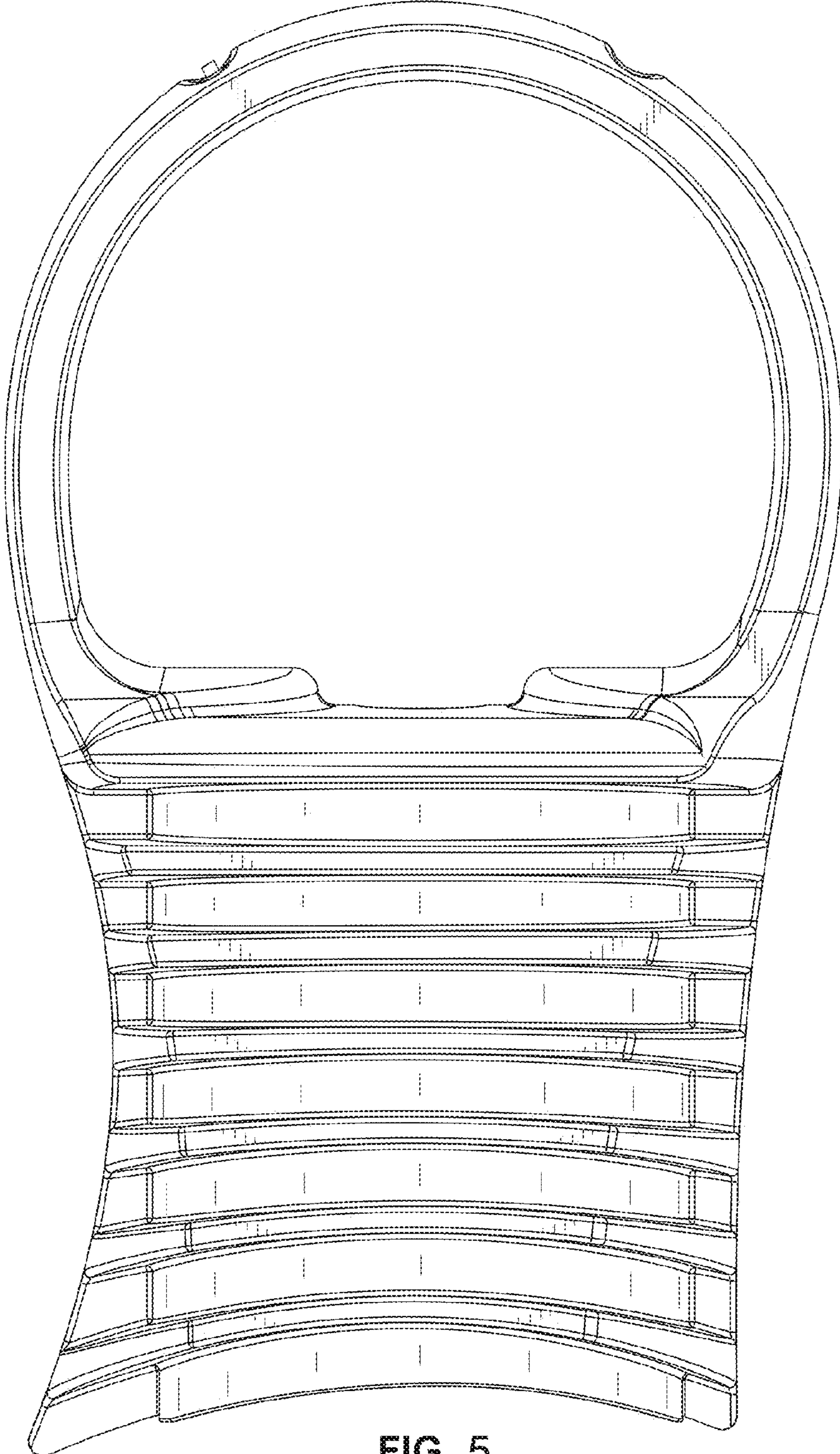


FIG. 5

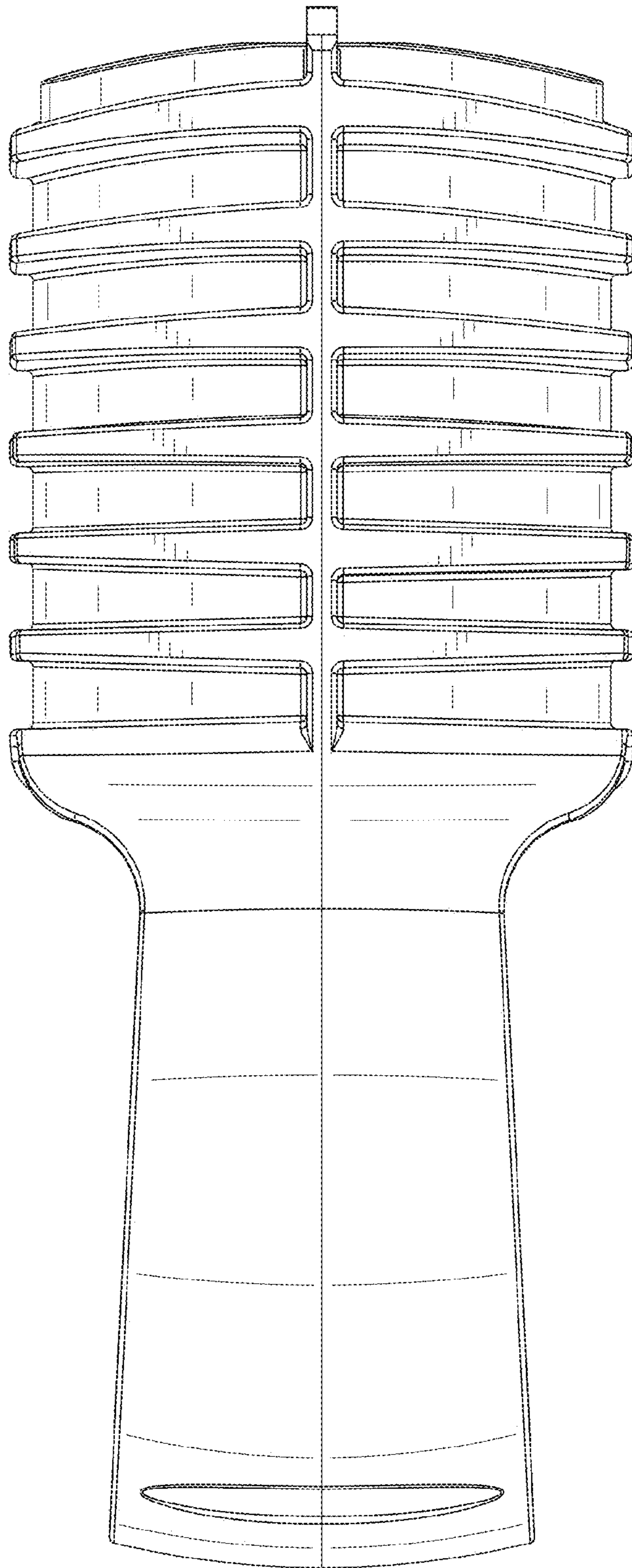


FIG. 6



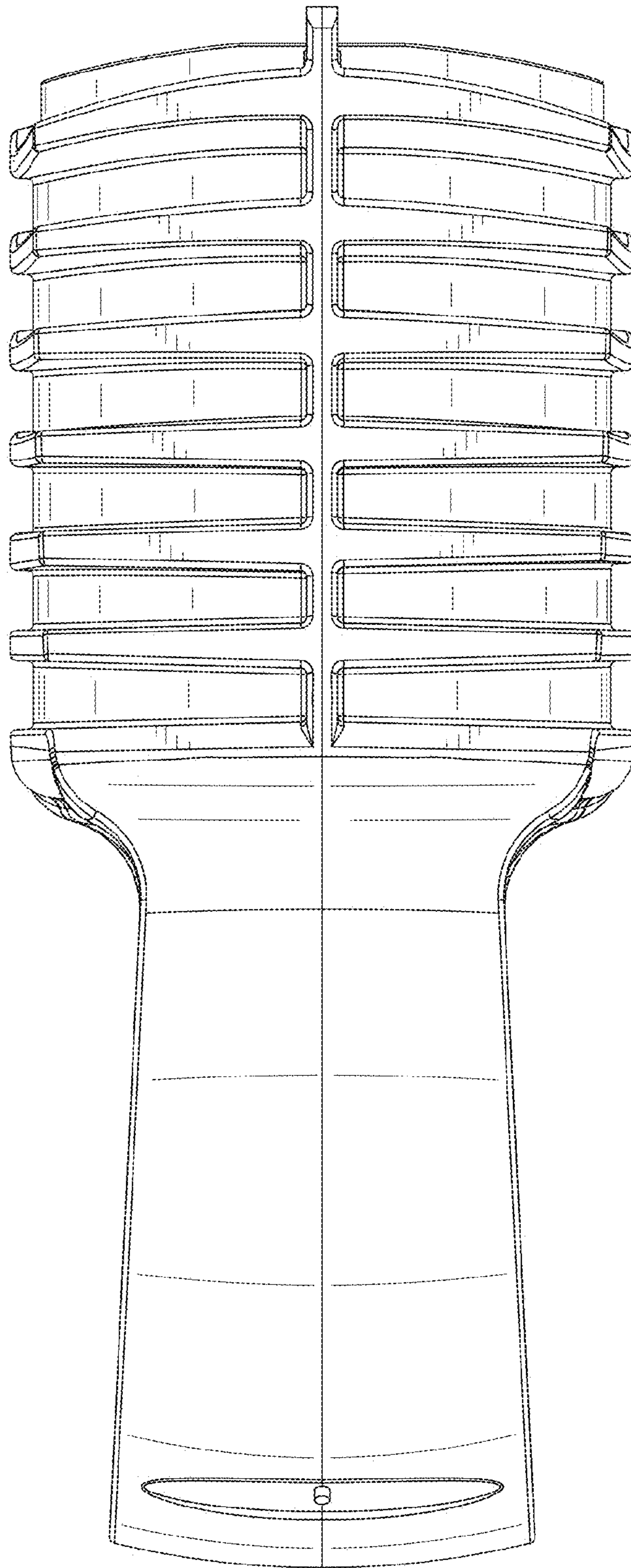


FIG. 7