



US00D748251S

(12) **United States Design Patent**
Ku

(10) **Patent No.:** **US D748,251 S**
(45) **Date of Patent:** **** Jan. 26, 2016**

(54) **UREA LEVEL SENSOR**

(56)

References Cited

(71) Applicant: **DONGGUAN ZHENGYANG ELECTRONIC MECHANICAL CO., LTD.**, Dongguan, Guangdong (CN)

(72) Inventor: **Yi-Hsin Ku**, Dongguan (CN)

(73) Assignee: **Dongguan Zhengyang Electronic Mechanical Co., Ltd.**, Guangdong (CN)

(**) Term: **14 Years**

(21) Appl. No.: **29/503,503**

(22) Filed: **Sep. 26, 2014**

(30) **Foreign Application Priority Data**

Sep. 3, 2014 (CN) 2014 3 0324046

(51) **LOC (10) Cl.** **24-02**

(52) **U.S. Cl.**
USPC **D24/129**

(58) **Field of Classification Search**
USPC D24/127-131, 112-114, 133, 186;
606/181, 185; 604/264, 523-528, 272,
604/187, 158, 164.01-164.11, 181, 184,
604/227; 600/101, 139, 143; 128/200.24,
128/207.14, 207.15
CPC . A61M 25/065; A61M 5/42; A61M 25/0612;
A61M 25/00; A61M 39/00; A61M 27/00;
A61M 25/0043; A61M 25/0067; A61M
25/0097; A61F 2/958

See application file for complete search history.

U.S. PATENT DOCUMENTS

D440,304 S *	4/2001	Morales	D24/112
D451,194 S *	11/2001	Cise et al.	D24/112
D456,898 S *	5/2002	Yang	D24/122
D518,893 S *	4/2006	Ugent et al.	D24/128
D596,291 S *	7/2009	Berberich et al.	D24/133
D601,248 S *	9/2009	Mros et al.	D24/129
D624,180 S *	9/2010	Grant et al.	D24/129
D627,063 S *	11/2010	West et al.	D24/128
D628,691 S *	12/2010	Sung et al.	D24/128
8,303,576 B2 *	11/2012	Brock	606/1
D678,521 S *	3/2013	Mort et al.	D24/129
D695,891 S *	12/2013	Biel et al.	D24/112
D704,336 S *	5/2014	Chon et al.	D24/144

* cited by examiner

Primary Examiner — David Muller

(74) *Attorney, Agent, or Firm* — Nixon & Vanderhye P.C.

(57)

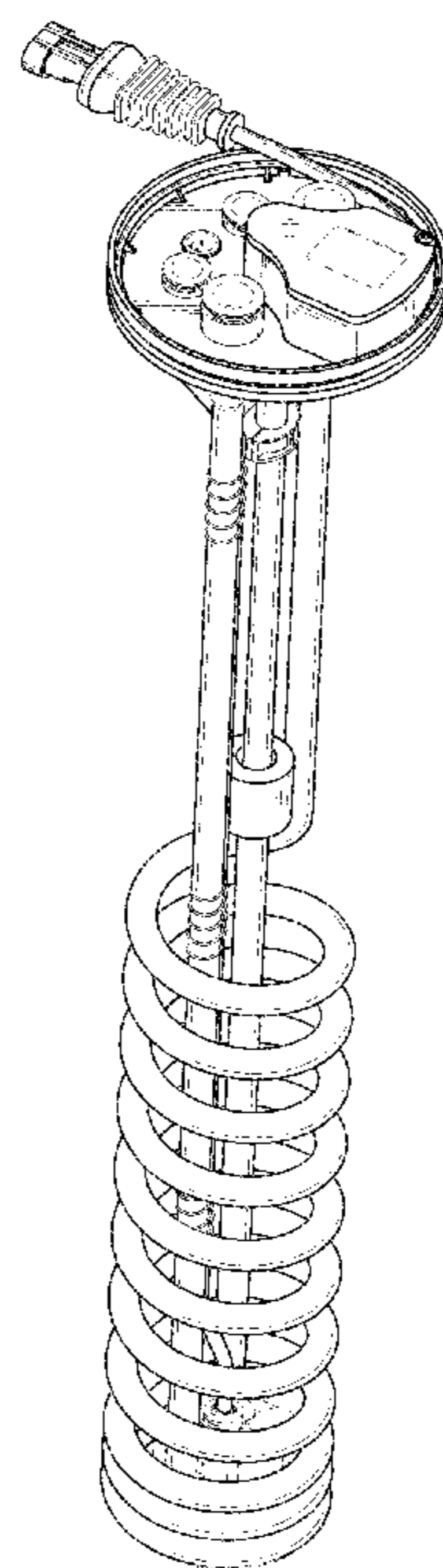
CLAIM

The ornamental design for a urea level sensor, as shown and described.

DESCRIPTION

FIG. 1 is a rear perspective view of the design for the urea level sensor;
FIG. 2 is a front elevation view thereof;
FIG. 3 is a rear elevation view thereof;
FIG. 4 is a left side elevation view thereof;
FIG. 5 is a right side elevation view thereof;
FIG. 6 is a top plan view thereof; and,
FIG. 7 is a bottom plan view thereof.
The broken line showing of parts of the drawings is included for the purpose of illustrating use and environment and forms no part of the claimed design.

1 Claim, 7 Drawing Sheets



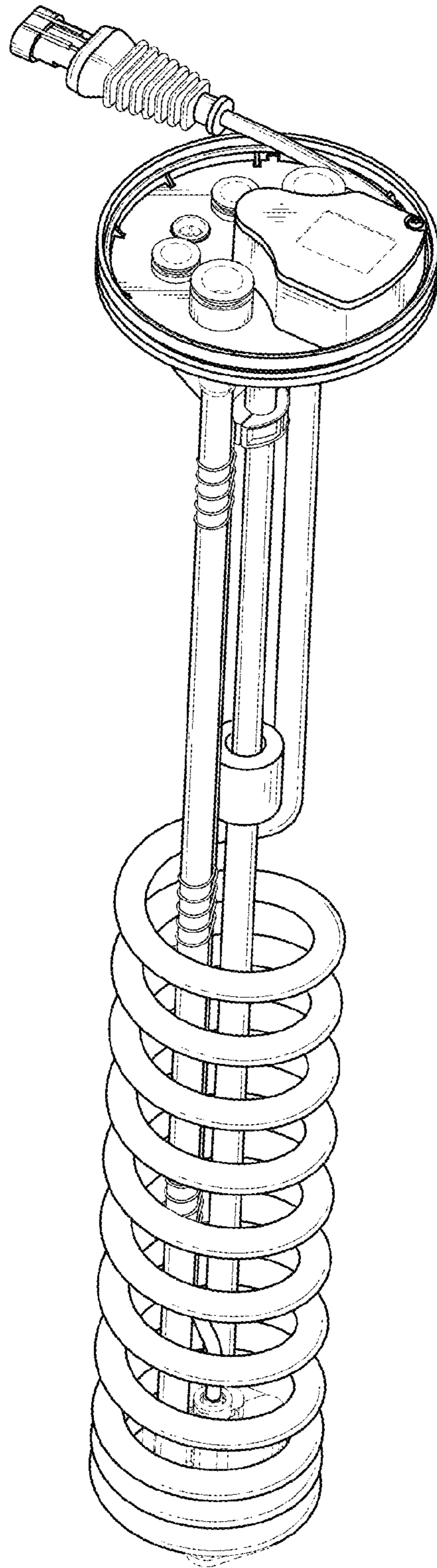


FIG. 1

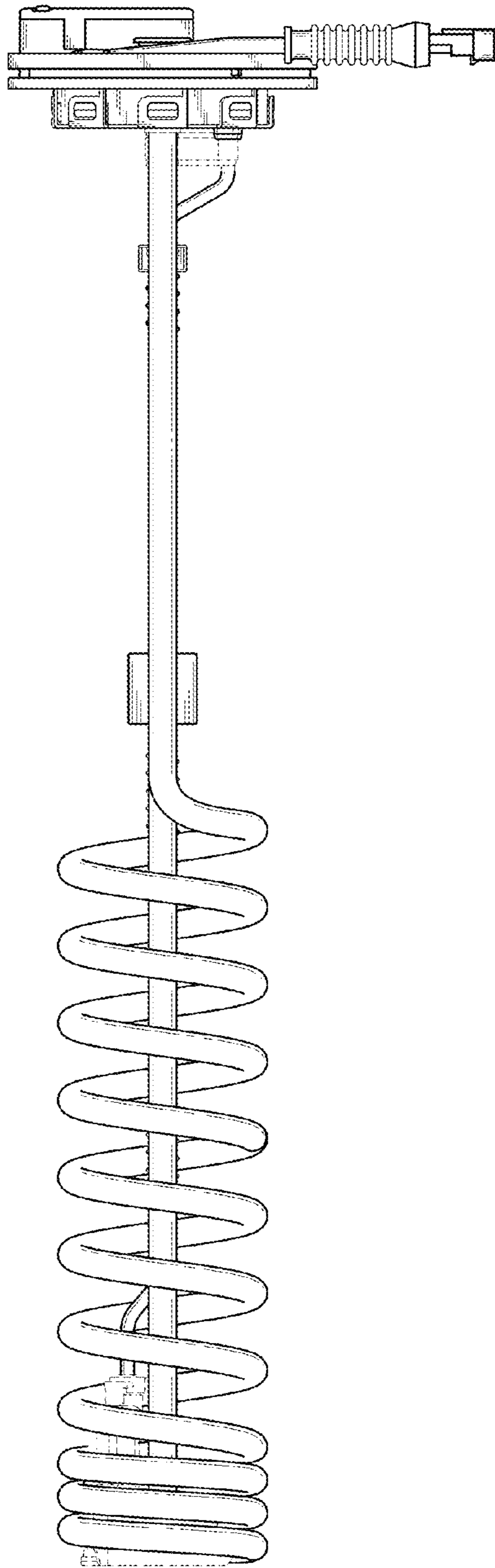


FIG. 2

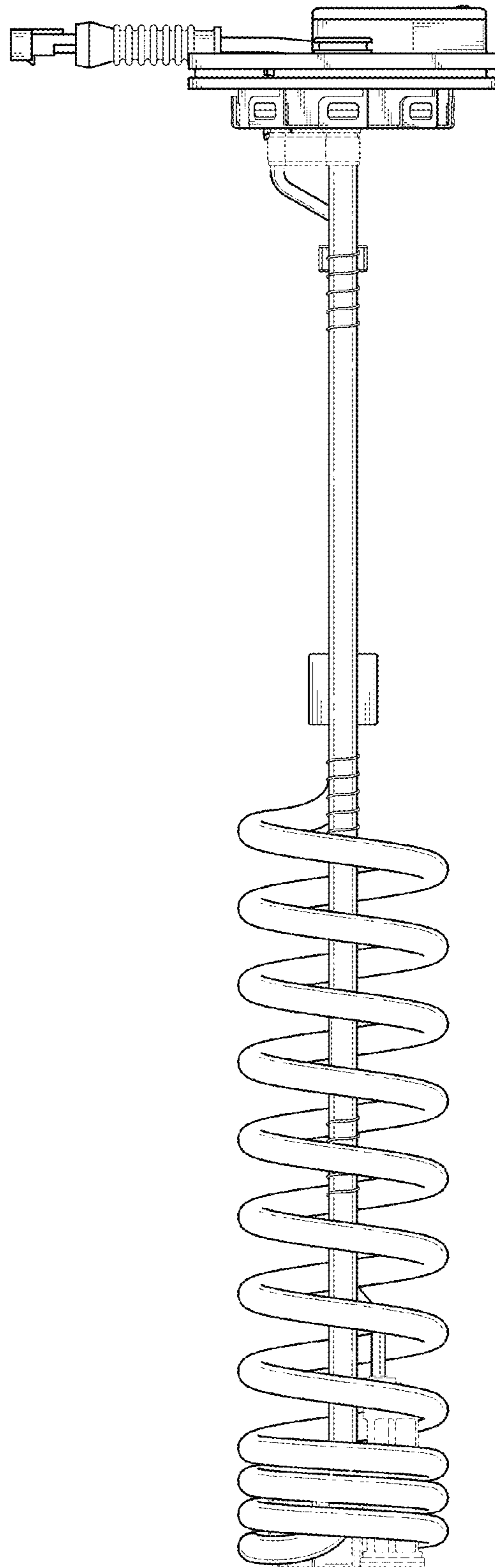


FIG. 3

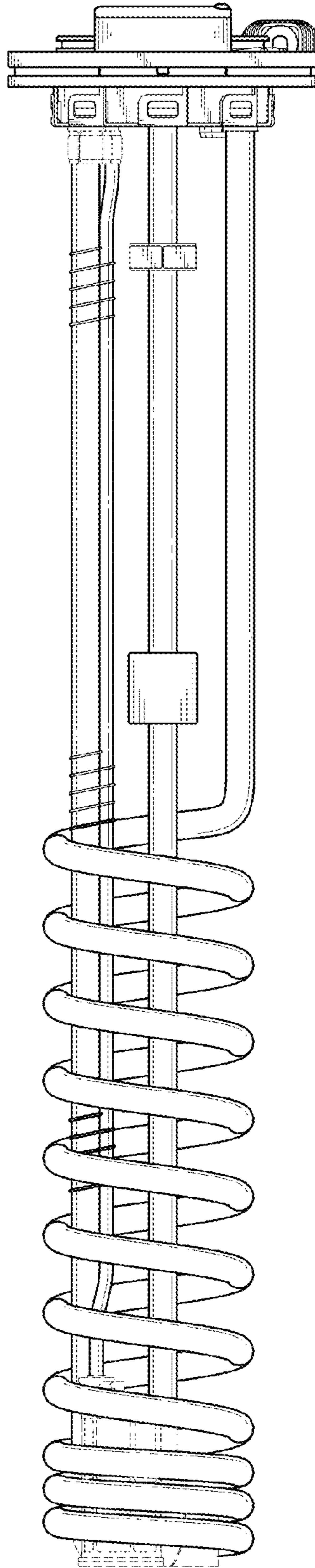


FIG. 4

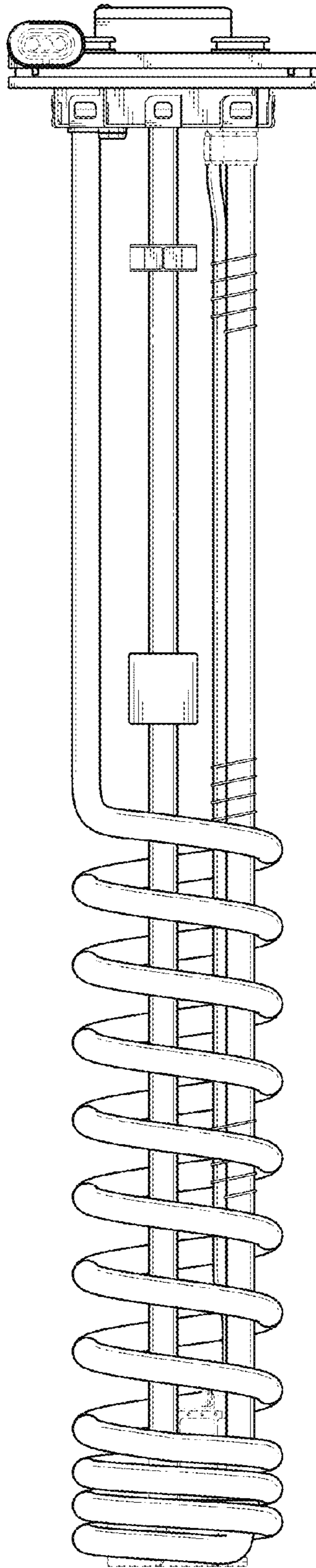


FIG. 5

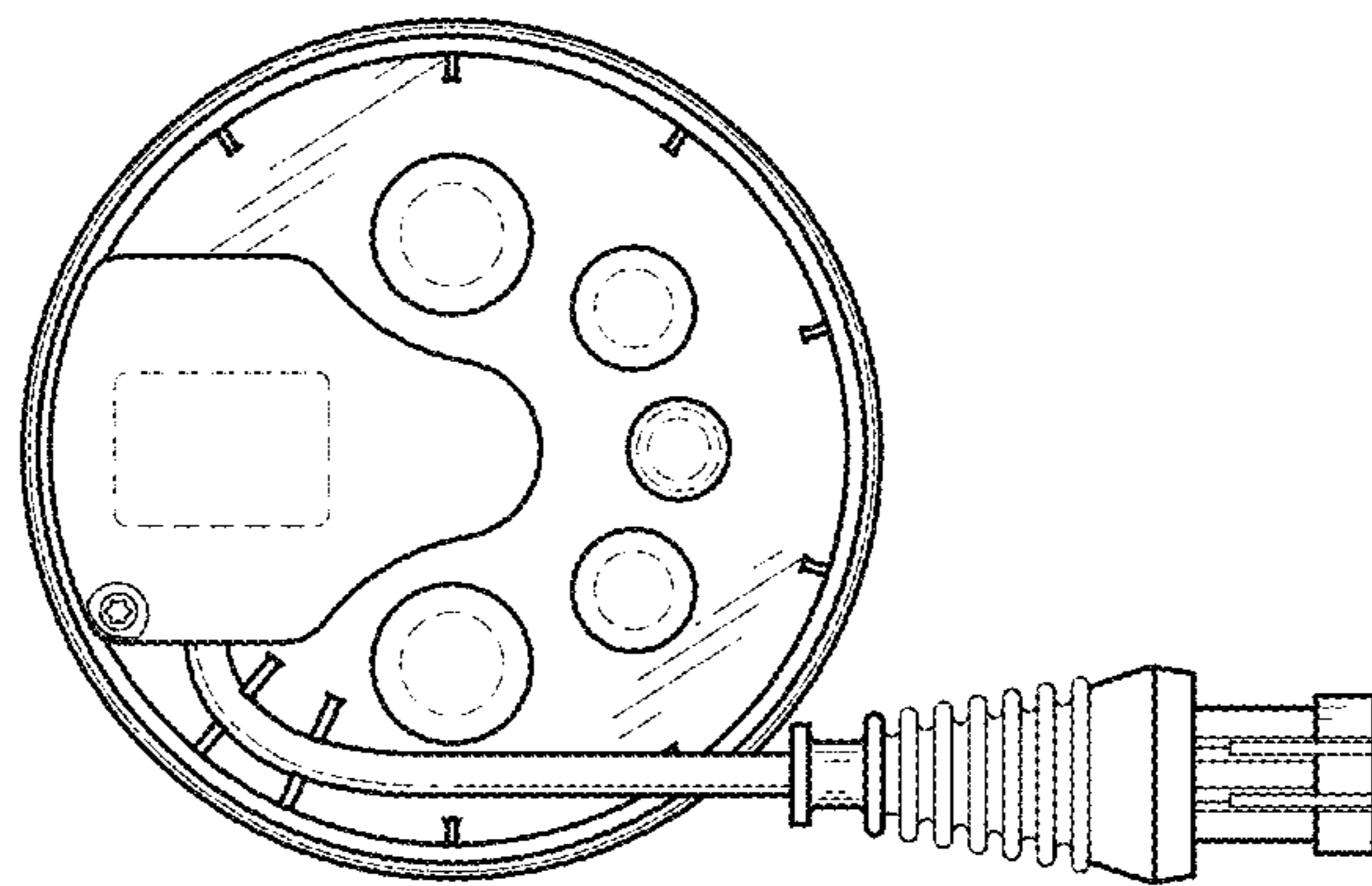


FIG. 6

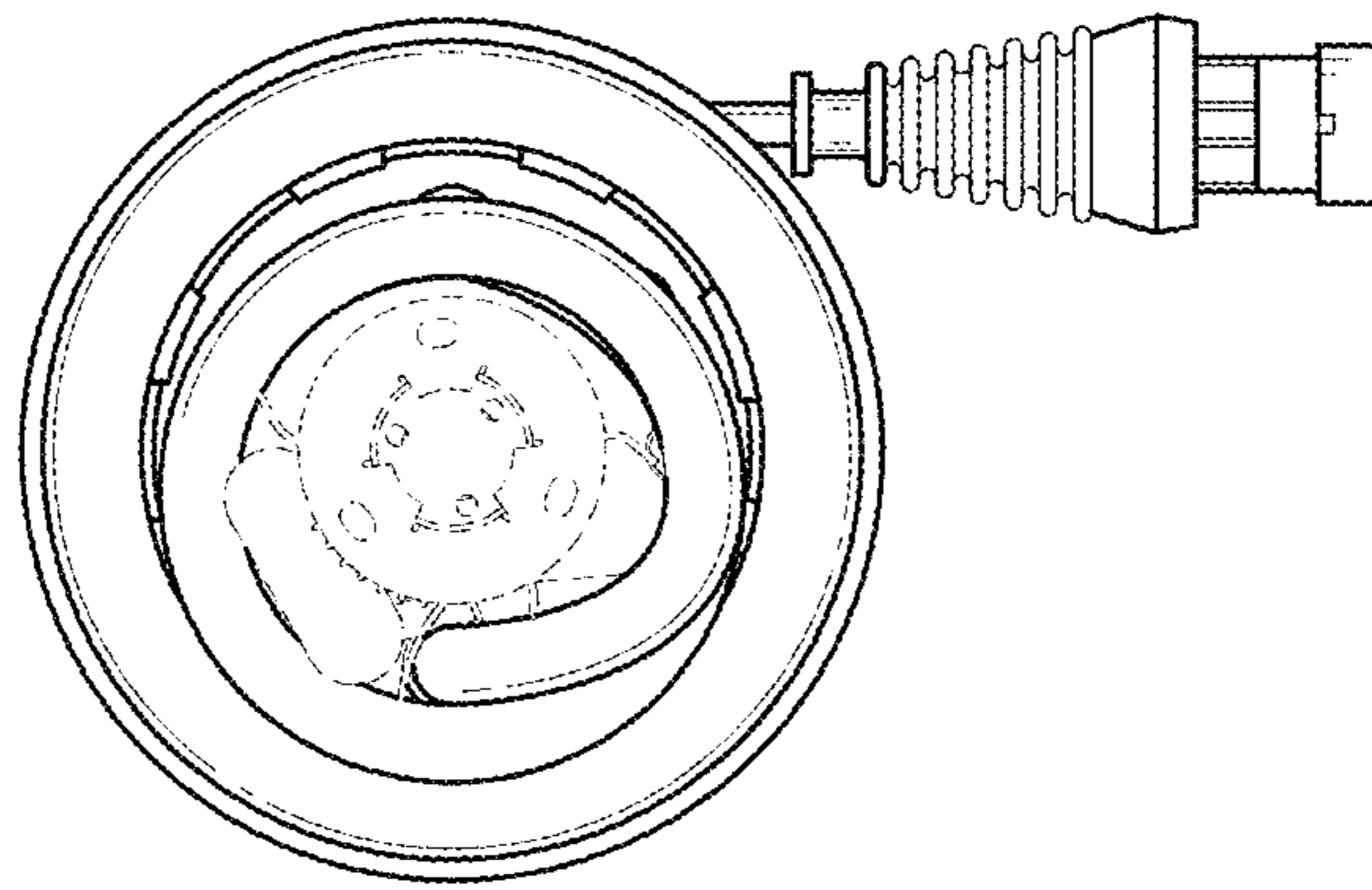


FIG. 7