



US00D748249S

(12) **United States Design Patent**
Pittet et al.

(10) **Patent No.:** **US D748,249 S**
(45) **Date of Patent:** **** Jan. 26, 2016**

(54) **MODULAR PORT FOR CONTAINERS FOR CLINICAL APPLICATION INTENDED FOR THE ADMINISTRATION OF DRUGS AND FEEDS**

(71) Applicant: **B. Braun Melsungen AG**, Melsungen (DE)

(72) Inventors: **Michel Pittet**, Aumont/FR (CH);
Raphael Vallotton, Vevey/VD (CH)

(73) Assignee: **B. Braun Melsungen AG** (DE)

(**) Term: **14 Years**

(21) Appl. No.: **29/474,632**

(22) Filed: **Dec. 5, 2014**

(30) **Foreign Application Priority Data**

Jun. 5, 2014 (EM) 002477323.0001

(51) **LOC (10) Cl.** **24-02**

(52) **U.S. Cl.**
USPC **D24/129**

(58) **Field of Classification Search**
USPC D24/127-131, 112-114, 133, 186;
606/181, 185; 604/264, 523-528, 272,
604/187, 158, 164.01-164.11, 181, 184,
604/227; 600/101, 139, 143; 128/200.24,
128/207.14, 207.15
CPC . A61M 25/065; A61M 5/42; A61M 25/0612;
A61M 25/00; A61M 39/00; A61M 27/00;
A61M 25/0043; A61M 25/0067; A61M
25/0097; A61F 2/958

See application file for complete search history.

(56) **References Cited**

U.S. PATENT DOCUMENTS

D283,045 S * 3/1986 Lynn D24/144
4,938,354 A * 7/1990 Hernandez A61M 5/3213
206/365
D330,763 S * 11/1992 Penny D24/113
D393,271 S * 4/1998 Conner D16/130
D433,753 S * 11/2000 Weiss D24/133
D681,195 S * 4/2013 Skulley D24/113
D711,527 S * 8/2014 Alchas D24/108
D712,543 S * 9/2014 Maier D24/186
D712,544 S * 9/2014 Maier D24/186
D715,924 S * 10/2014 Green D24/127
D730,518 S * 5/2015 Lombardi, III D24/129

* cited by examiner

Primary Examiner — David Muller

(74) *Attorney, Agent, or Firm* — David C Purdue

(57) **CLAIM**

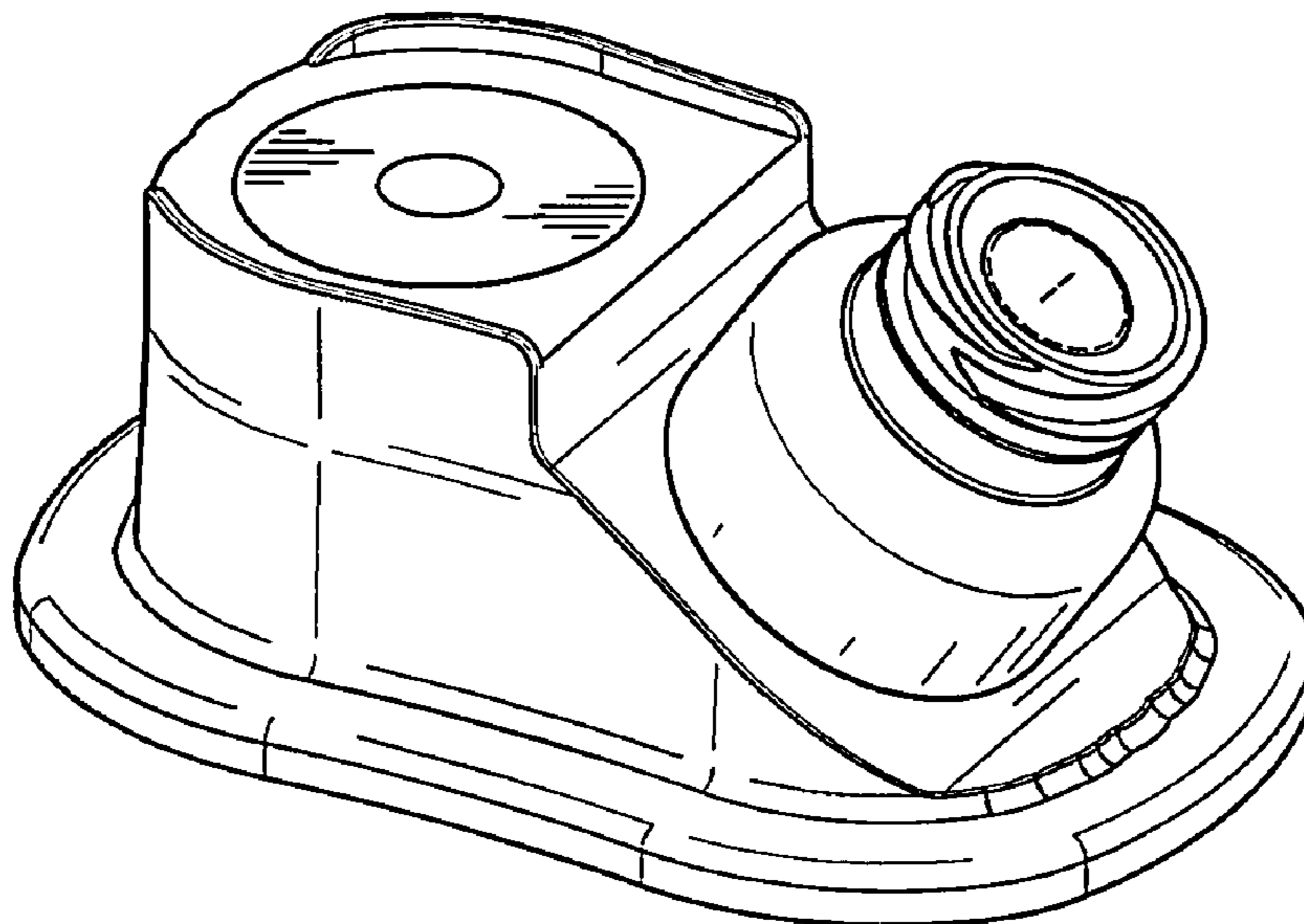
The ornamental design for a modular port for containers for clinical application intended for the administration of drugs and feeds, as shown.

DESCRIPTION

FIG. 1 is a perspective view of a modular port for containers for clinical application intended for the administration of drugs and feeds showing our new design;
FIG. 2 is a left side view thereof;
FIG. 3 is a right side view thereof;
FIG. 4 is a front view thereof;
FIG. 5 is a rear view thereof; and,
FIG. 6 is a top view thereof.

The broken line showing of parts of the drawings is included for the purpose of illustrating use and environment and forms no part of the claimed design.

1 Claim, 3 Drawing Sheets



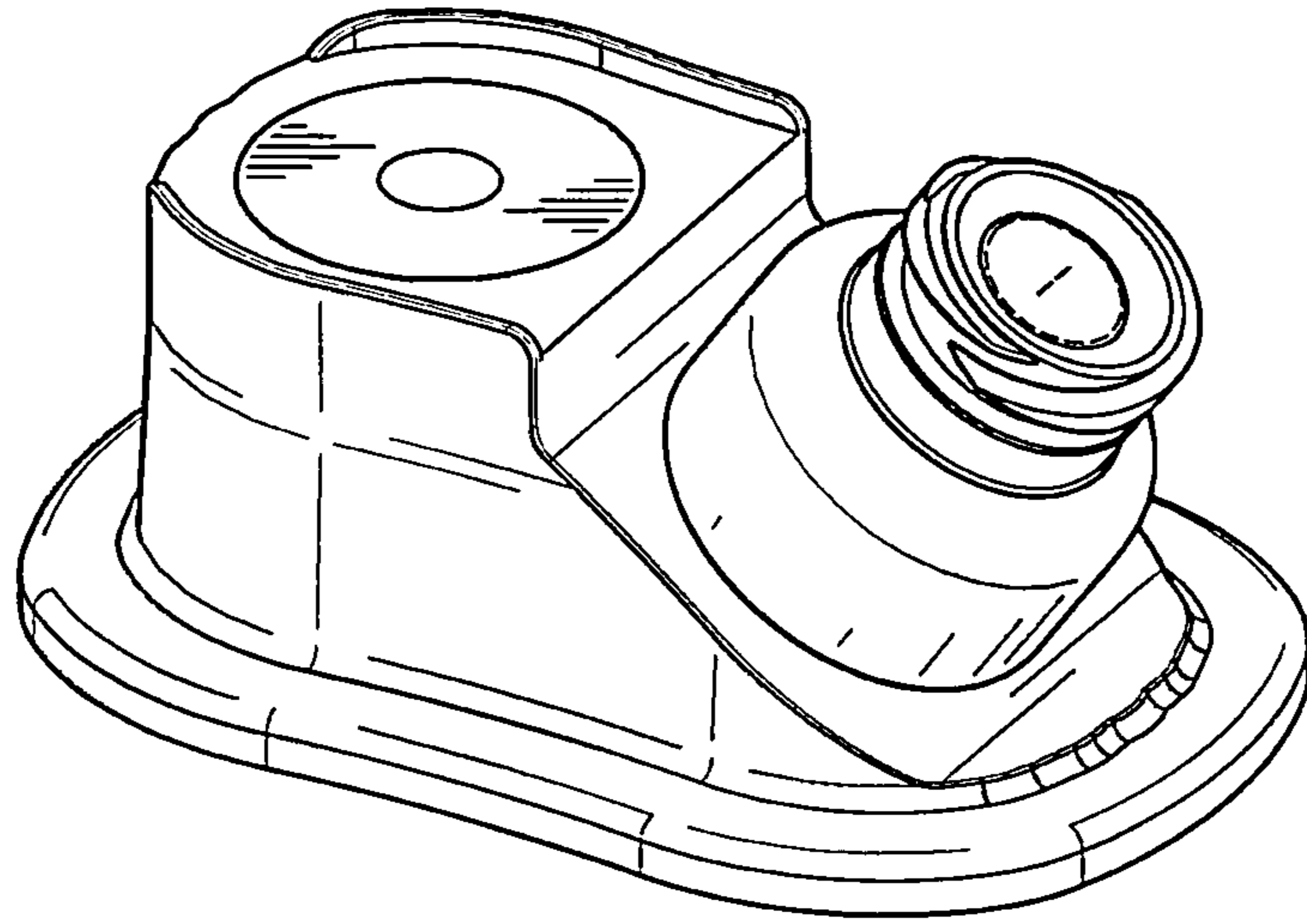


FIG. 1

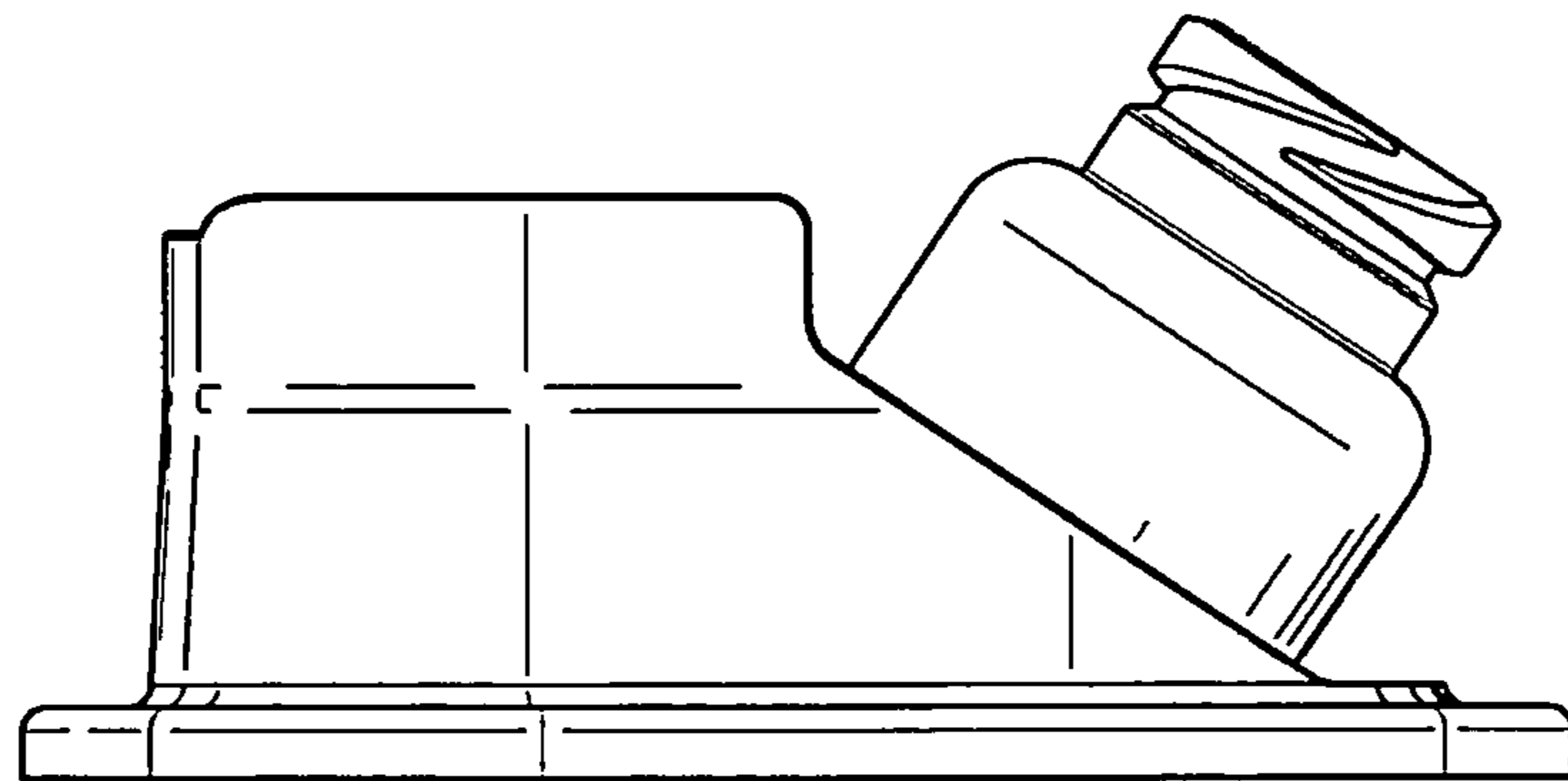


FIG. 2

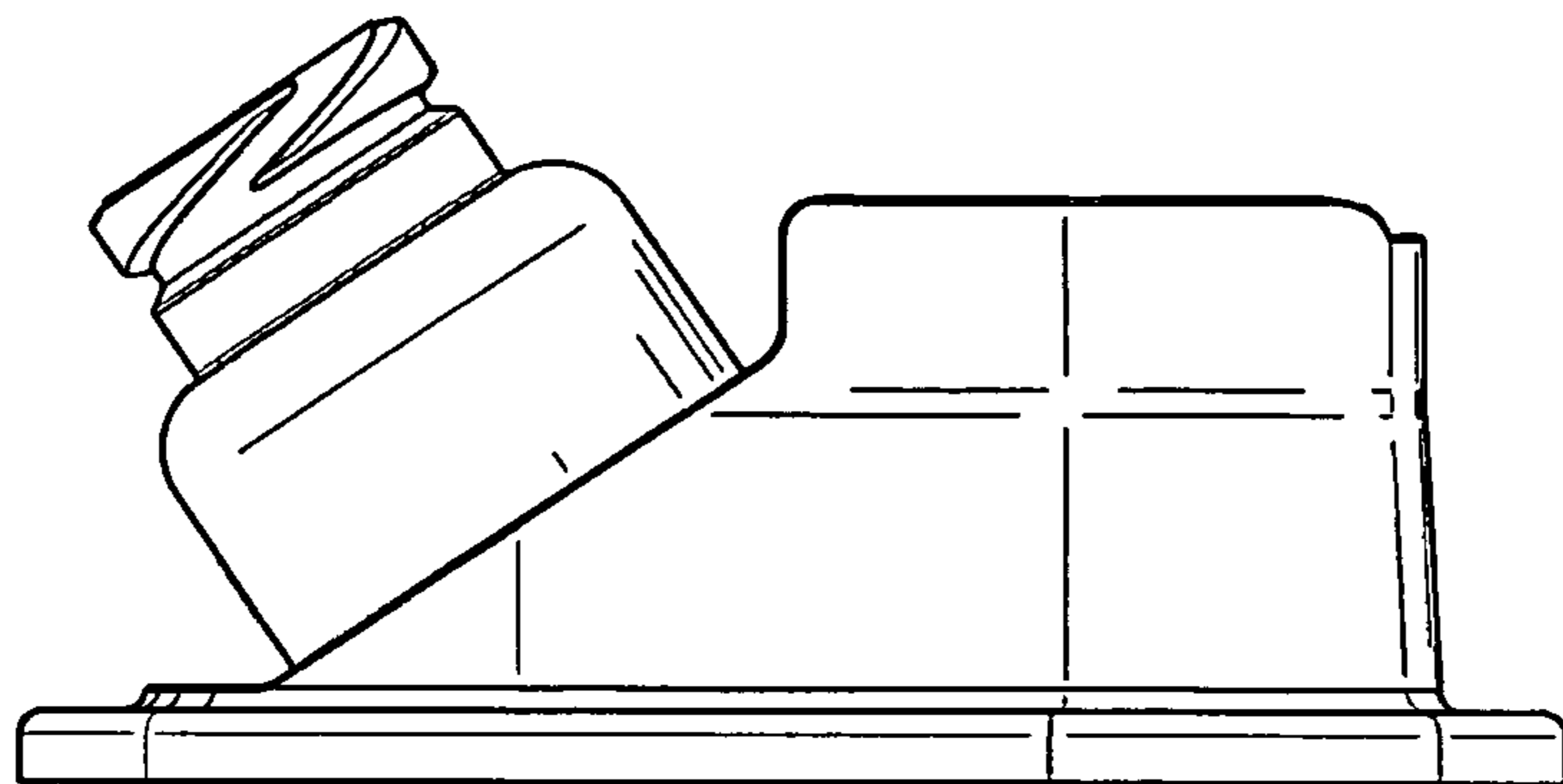


FIG. 3

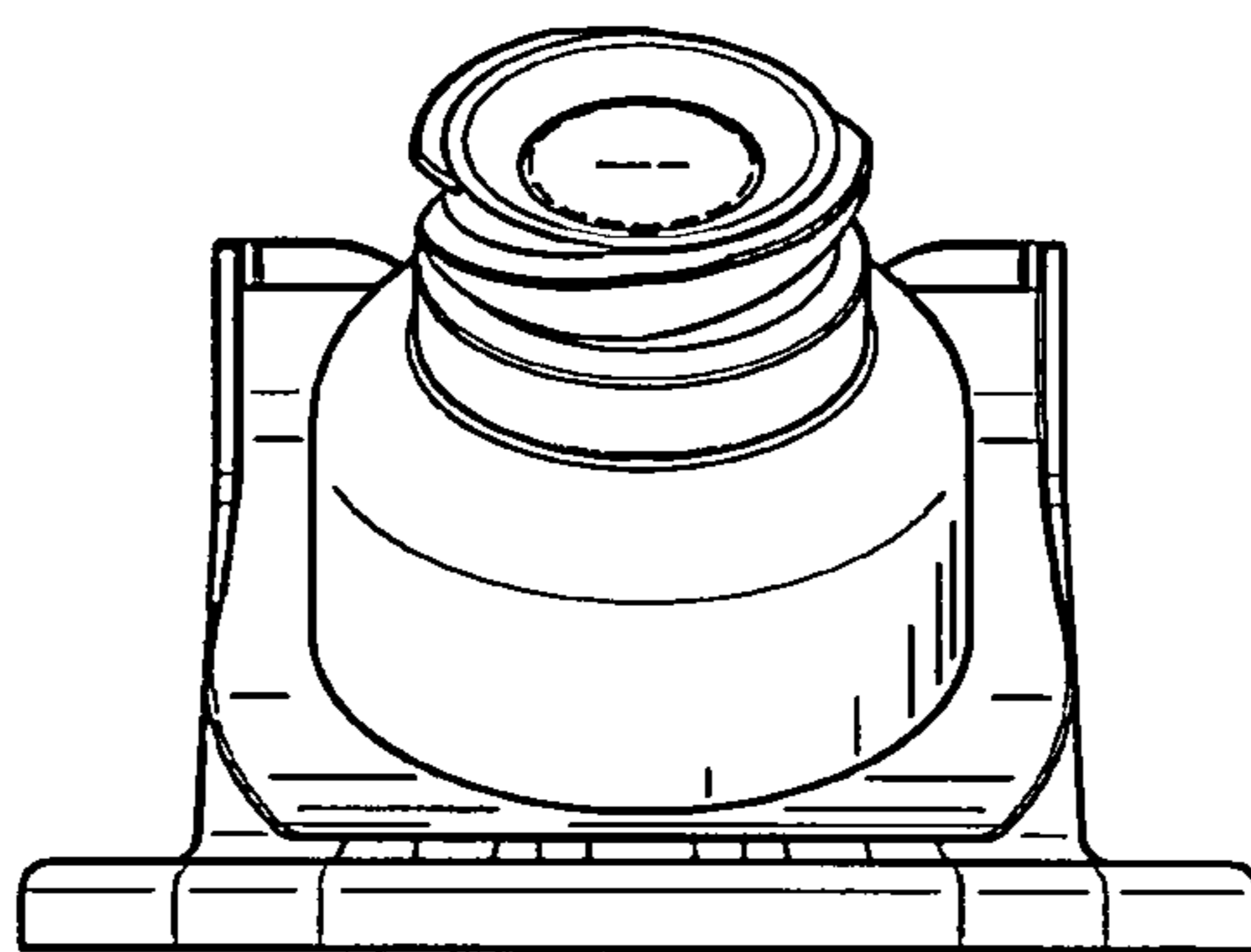


FIG. 4

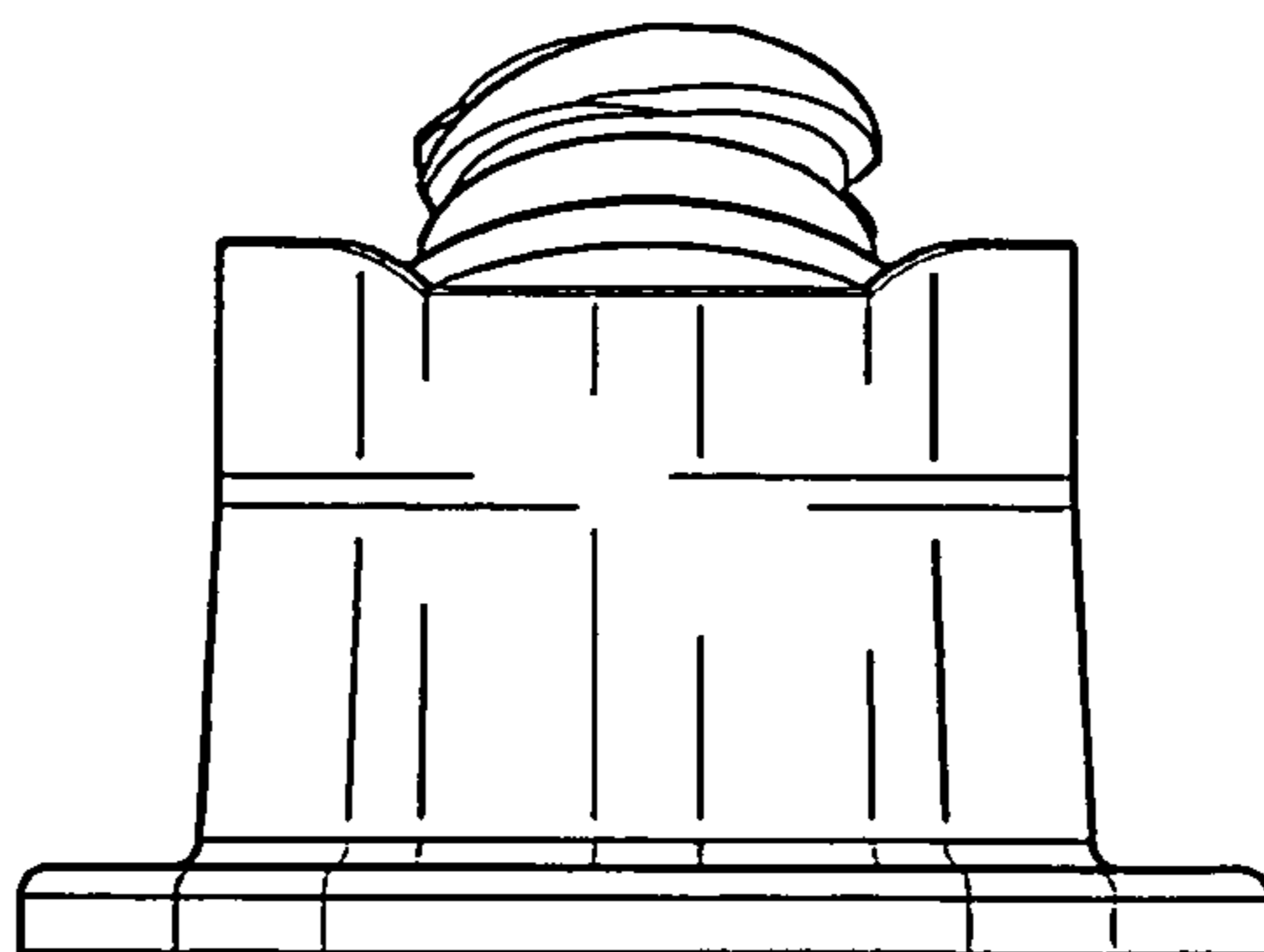


FIG. 5

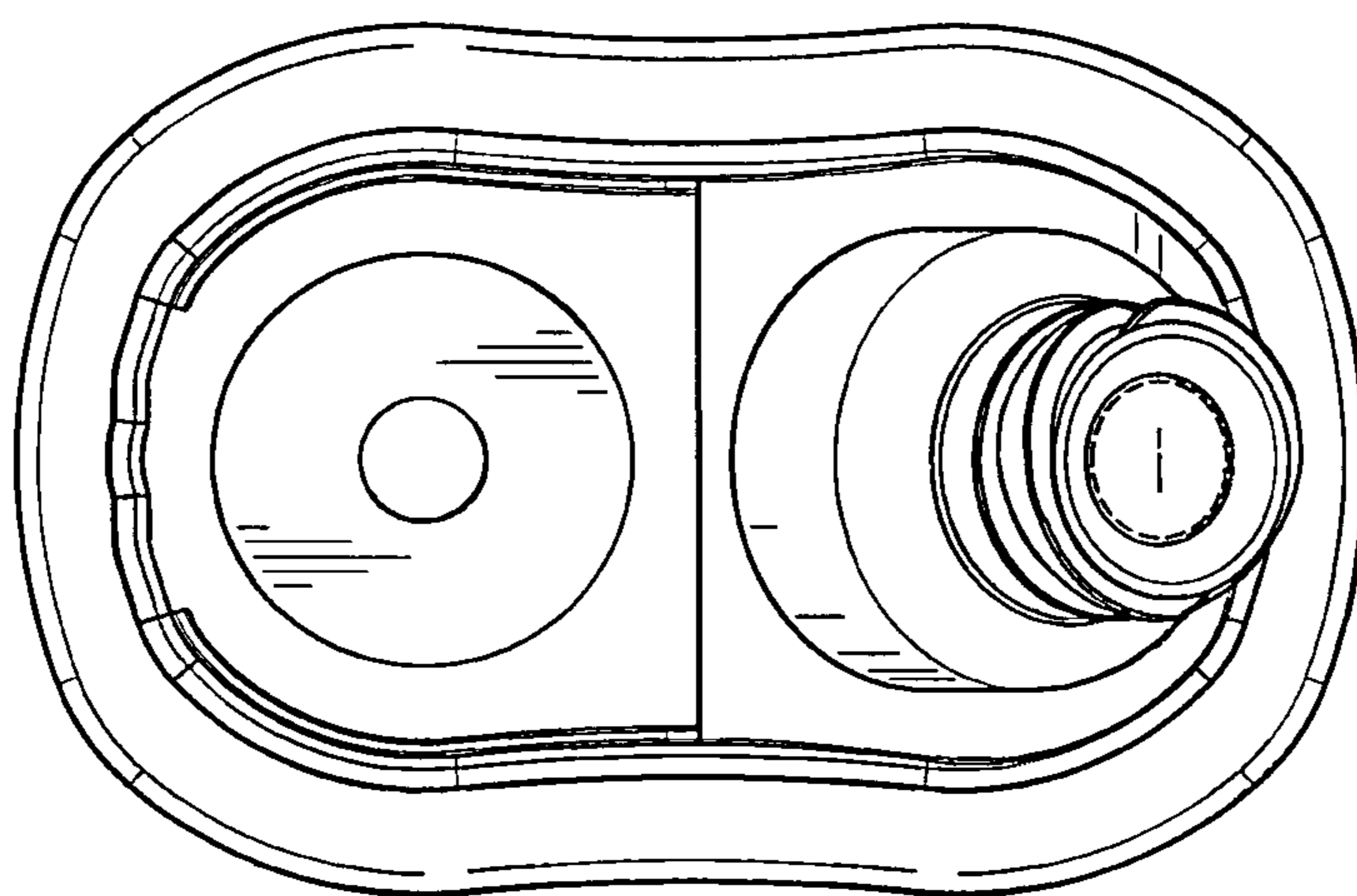


FIG. 6