



US00D748247S

(12) **United States Design Patent**
MacRae et al.

(10) **Patent No.:** **US D748,247 S**
(45) **Date of Patent:** **** Jan. 26, 2016**

- (54) **EYEWASH DEVICE**
- (71) Applicant: **Earigate Inc.**, Burlington (CA)
- (72) Inventors: **John MacRae**, Burlington (CA); **Steven Duffield**, Burlington (CA)
- (73) Assignee: **Earigate Inc.**, Burlington, ON (CA)
- (**) Term: **14 Years**
- (21) Appl. No.: **29/470,635**
- (22) Filed: **Oct. 23, 2013**

D248,448 S	7/1978	McClure et al.
4,471,890 A	9/1984	Dougherty
4,960,407 A	10/1990	Cope
5,154,710 A	10/1992	Williams
5,221,027 A	6/1993	Gibilsco
5,382,243 A	1/1995	Mulholland
D370,257 S	5/1996	Christopher
5,713,495 A	2/1998	Menard
5,902,292 A	5/1999	Feldman
D413,668 S	9/1999	Mannberg et al.
6,041,978 A	3/2000	Hagele
6,090,086 A	7/2000	Bolden
6,210,381 B1	4/2001	Morse
6,423,040 B1 *	7/2002	Benktzon et al. 604/300
6,435,372 B1 *	8/2002	Blacker et al. 222/23
6,595,970 B1	7/2003	Davidian
D502,771 S	3/2005	Al Amri
6,978,945 B2	12/2005	Wong et al.
D537,160 S *	2/2007	Lowell D24/115

Related U.S. Application Data

- (63) Continuation-in-part of application No. 29/393,261, filed on Jun. 1, 2011, now abandoned.
- (51) **LOC (10) Cl.** **24-02**
- (52) **U.S. Cl.**
USPC **D24/120**
- (58) **Field of Classification Search**
USPC D24/120, 121, 108, 193, 113, 150;
604/294-302, 289, 290; 4/620; 215/4,
215/305, 328; 206/210, 828; 222/566, 575,
222/420; D9/453
See application file for complete search history.

(56) **References Cited**

U.S. PATENT DOCUMENTS

2,585,264 A *	2/1952	Mock	604/301
2,676,592 A	5/1953	Wood	
2,826,194 A *	3/1958	Golden	128/200.14
2,920,624 A	1/1960	Lerner et al.	
3,016,898 A *	1/1962	Erwin	604/298
3,170,462 A *	2/1965	Hall	128/200.23
3,756,478 A	9/1973	Podell et al.	
3,934,590 A *	1/1976	Campagna et al.	604/302
4,052,985 A	10/1977	Coleman et al.	

(Continued)

Primary Examiner — David Muller

(57) **CLAIM**

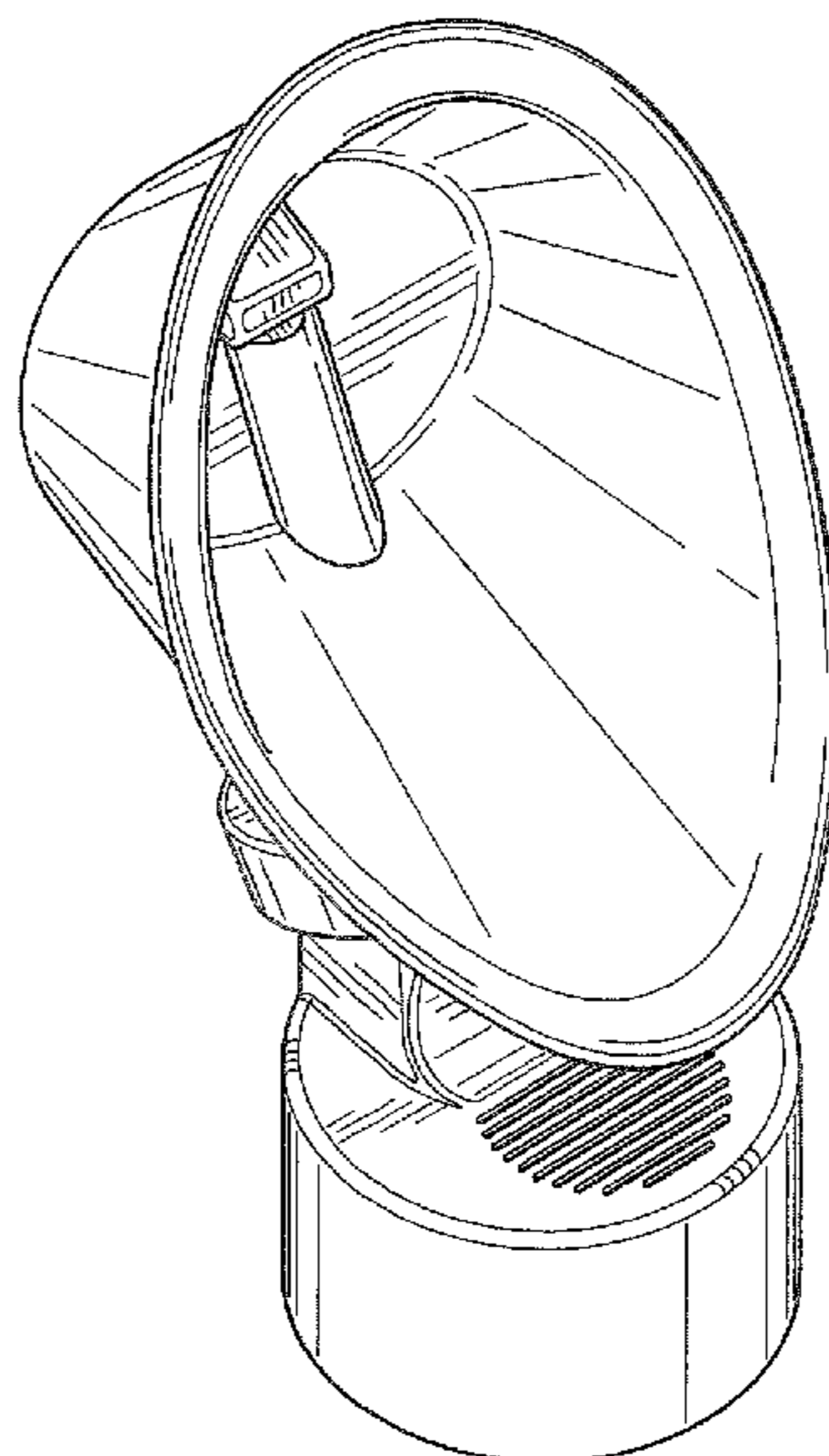
The ornamental design for an eyewash device, as shown and described.

DESCRIPTION

FIG. 1 is an isometric view of a front side of the eyewash device;
 FIG. 2 is an isometric view of a back side thereof;
 FIG. 3 is a side view of a right side thereof;
 FIG. 4 is a front view thereof;
 FIG. 5 is a side view of a left side thereof;
 FIG. 6 is a back view thereof;
 FIG. 7 is a top view thereof; and,
 FIG. 8 is a bottom view thereof.

The broken line showing of parts of the drawings is included for the purposes of illustrating use and environment and forms no part of the claimed design.

1 Claim, 4 Drawing Sheets



(56)

References Cited

U.S. PATENT DOCUMENTS

D542,910 S 5/2007 MacRae et al.
D573,250 S 7/2008 MacRae et al.
D588,691 S 3/2009 Perrin et al.

7,743,945 B2 * 6/2010 Lu et al. 222/36
8,141,550 B2 * 3/2012 Lawrence et al. 128/200.17
D672,870 S 12/2012 Bertelsen
D694,403 S * 11/2013 Lensch D24/120
8,596,265 B2 * 12/2013 Meyer et al. 128/200.23

* cited by examiner

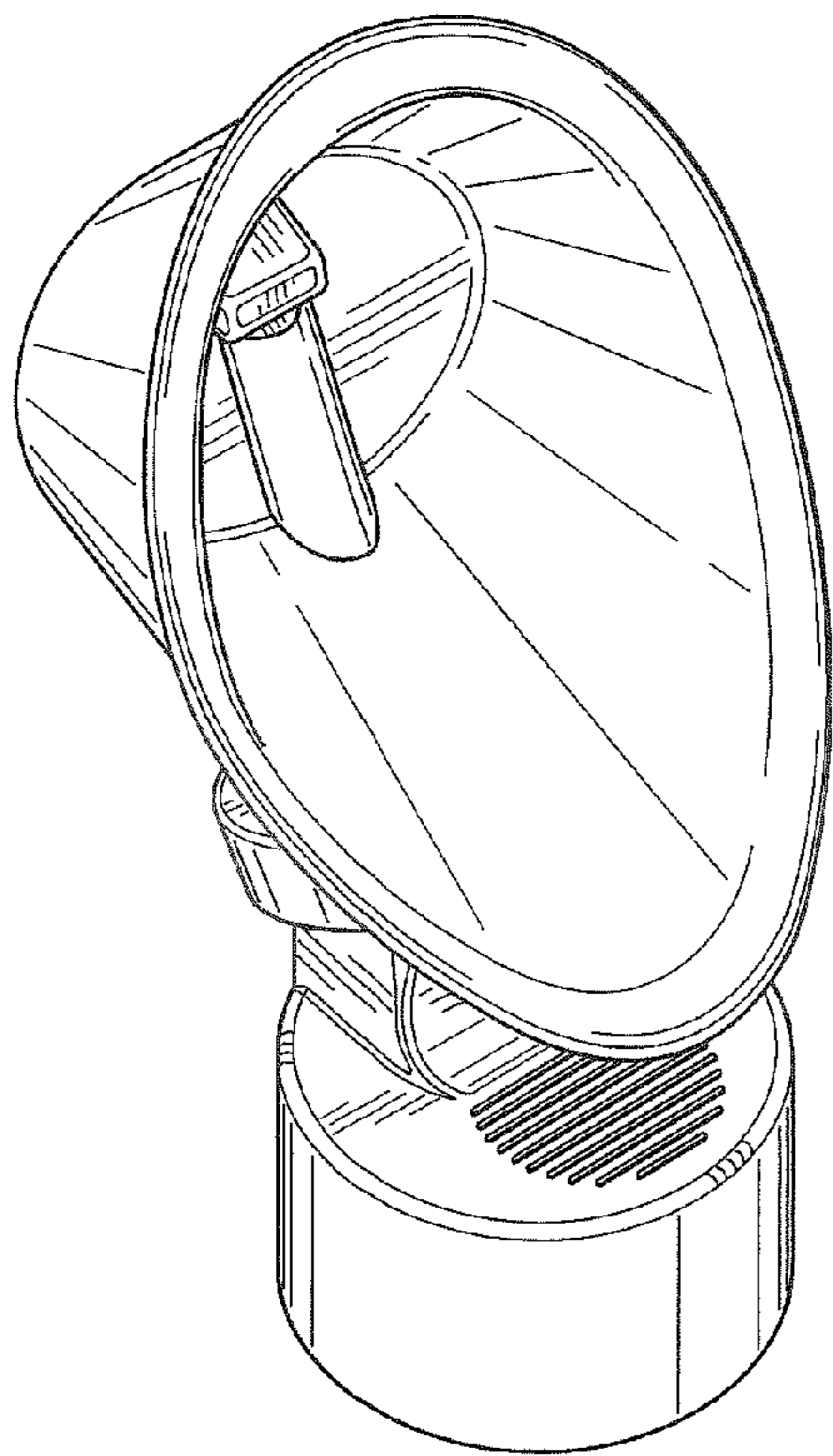


FIG. 1

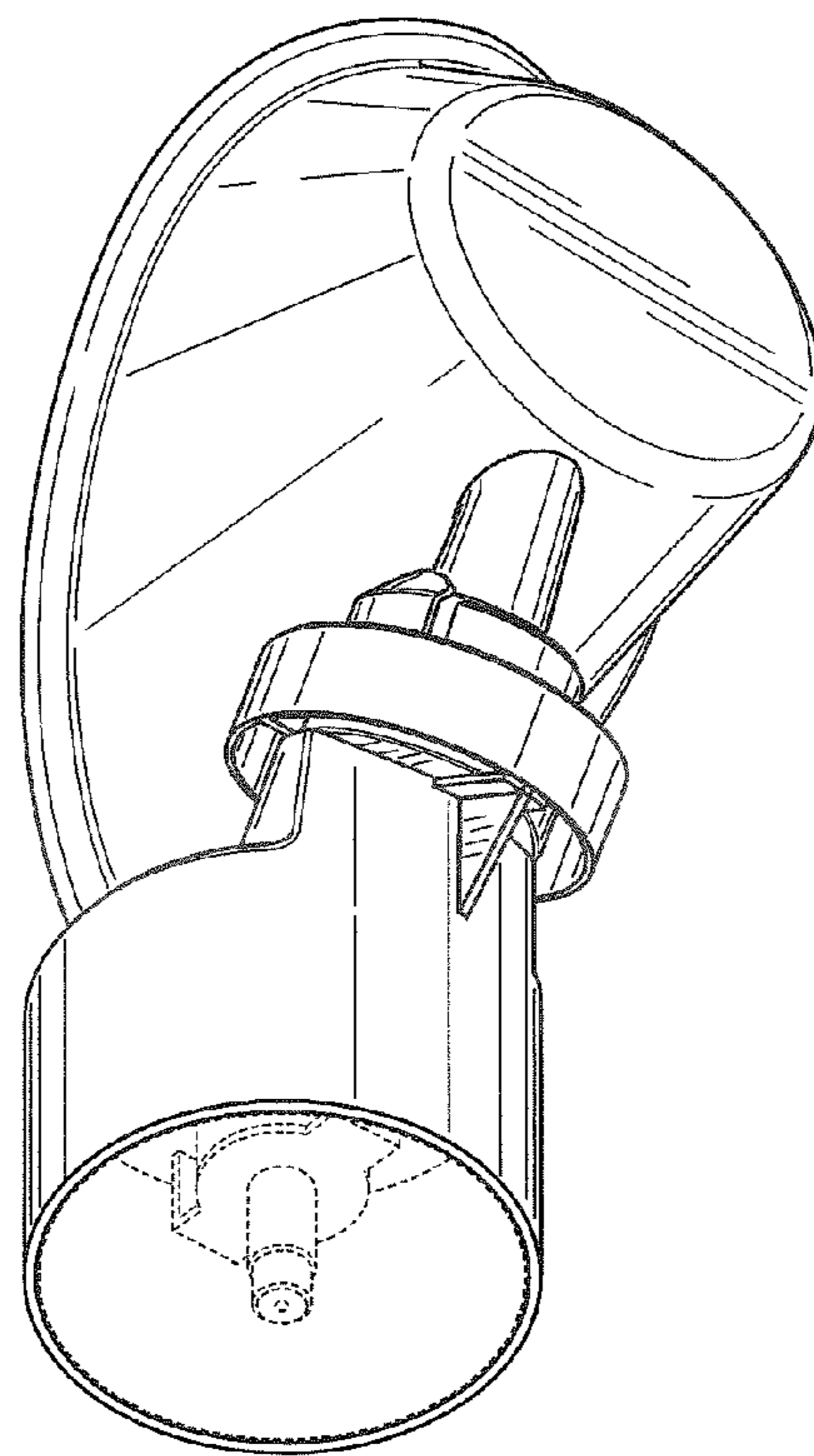


FIG. 2

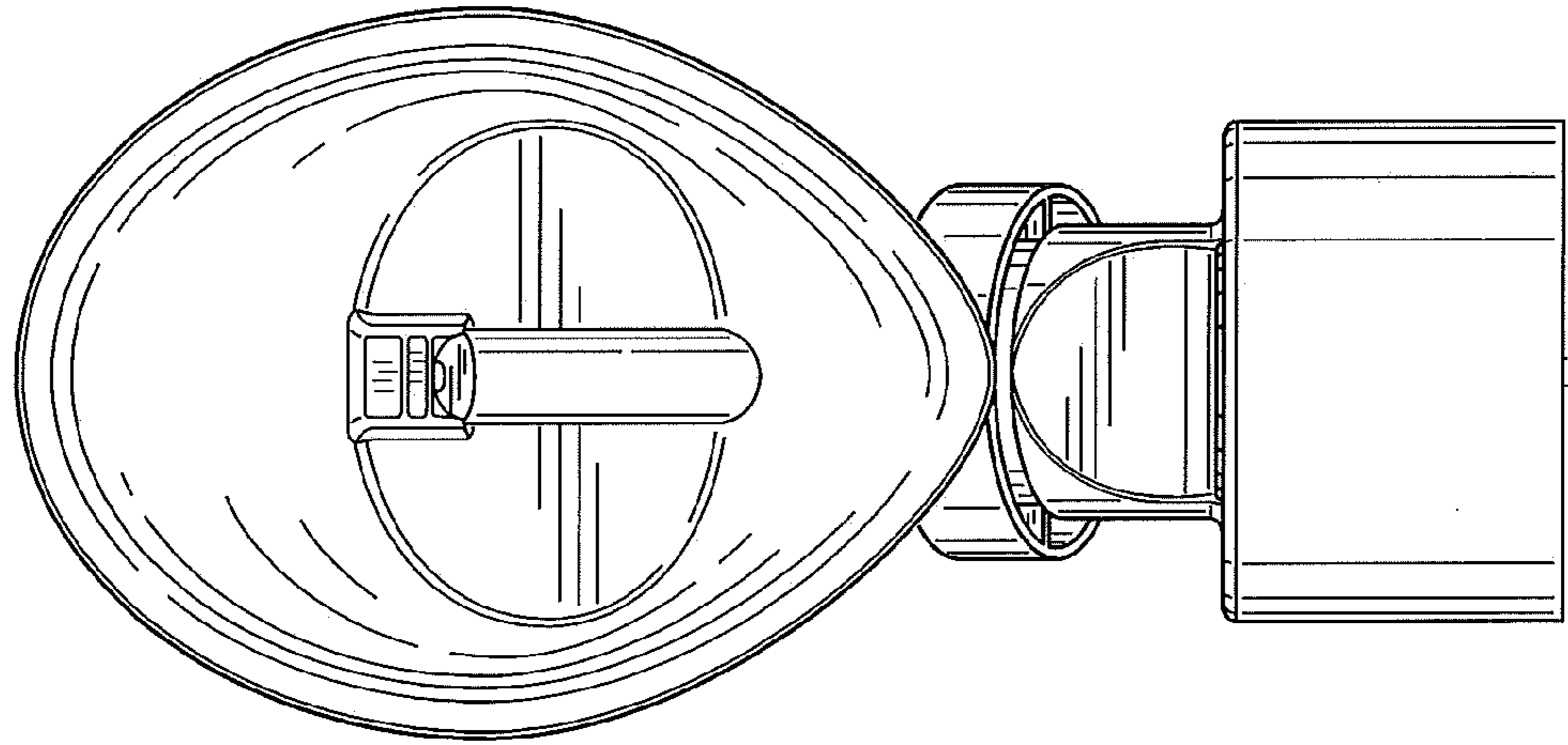


FIG. 4

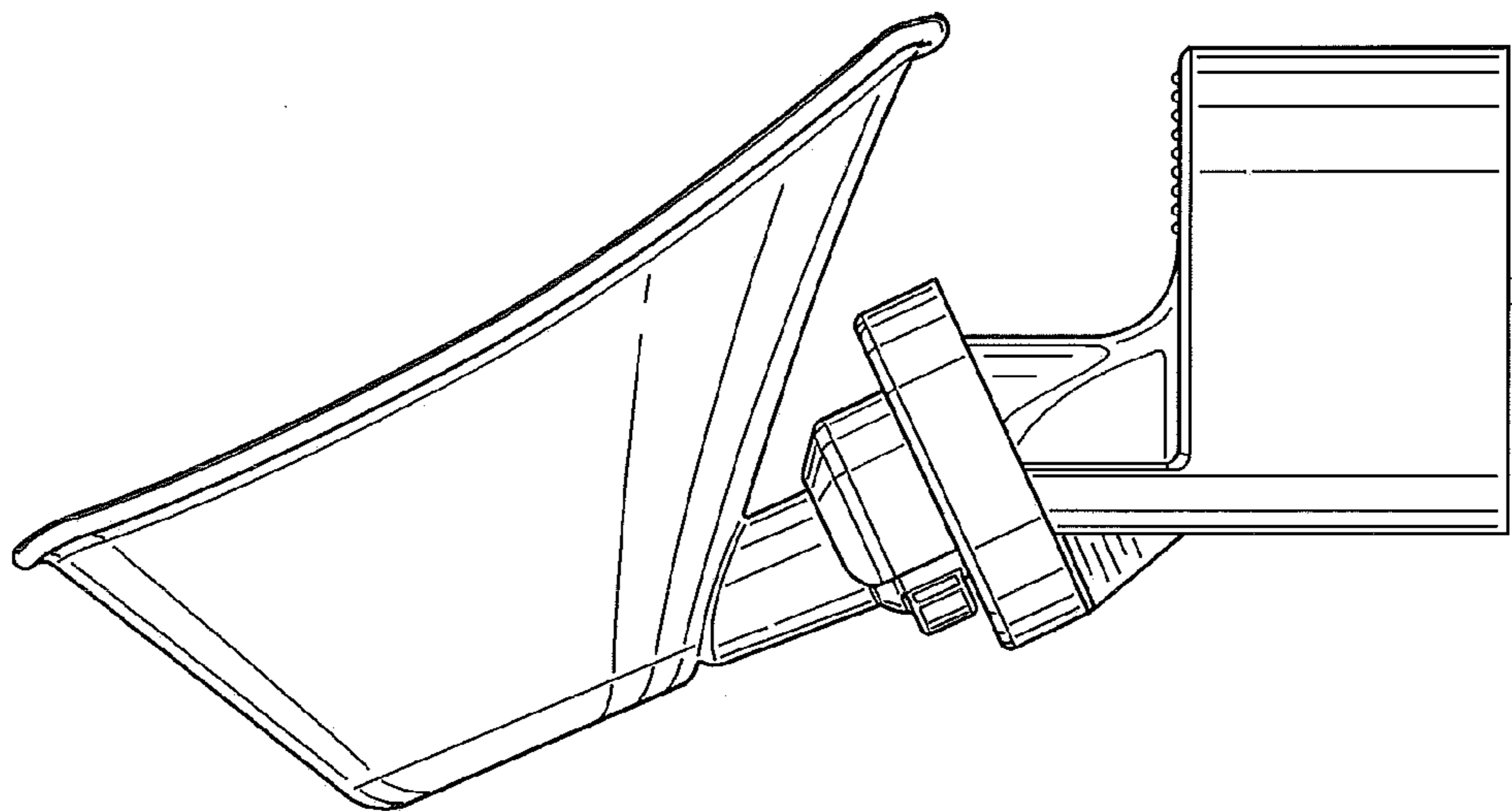


FIG. 3

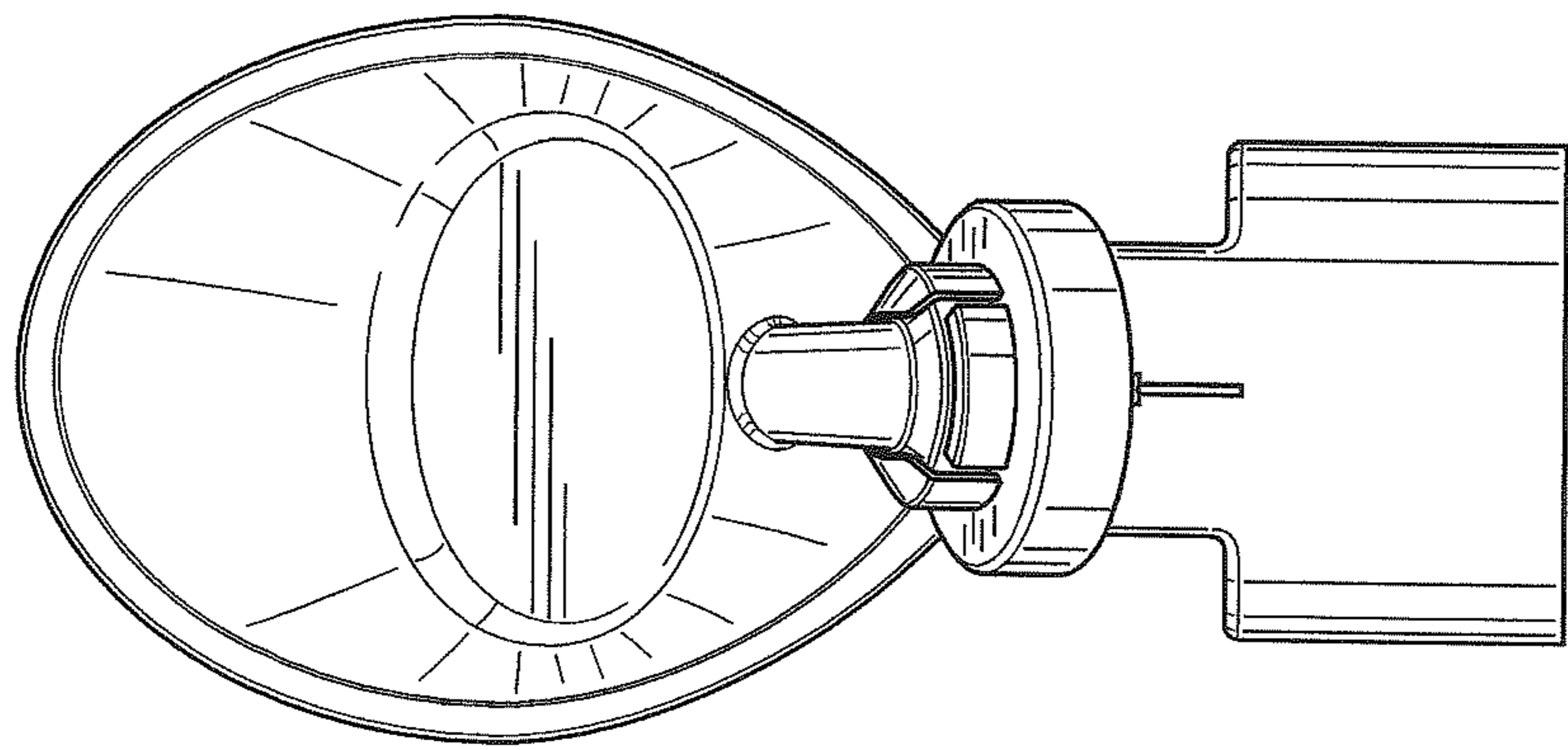


FIG. 6

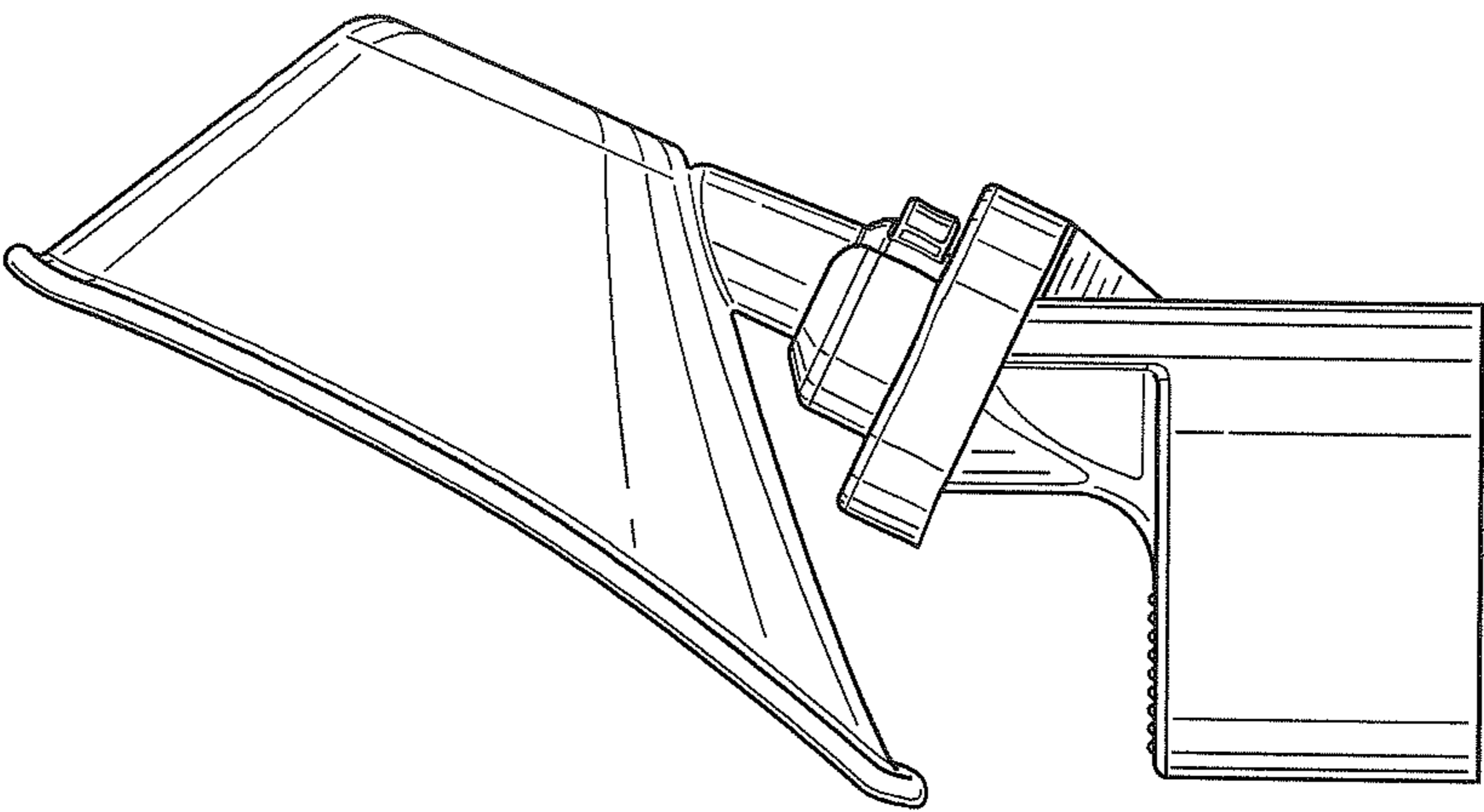


FIG. 5

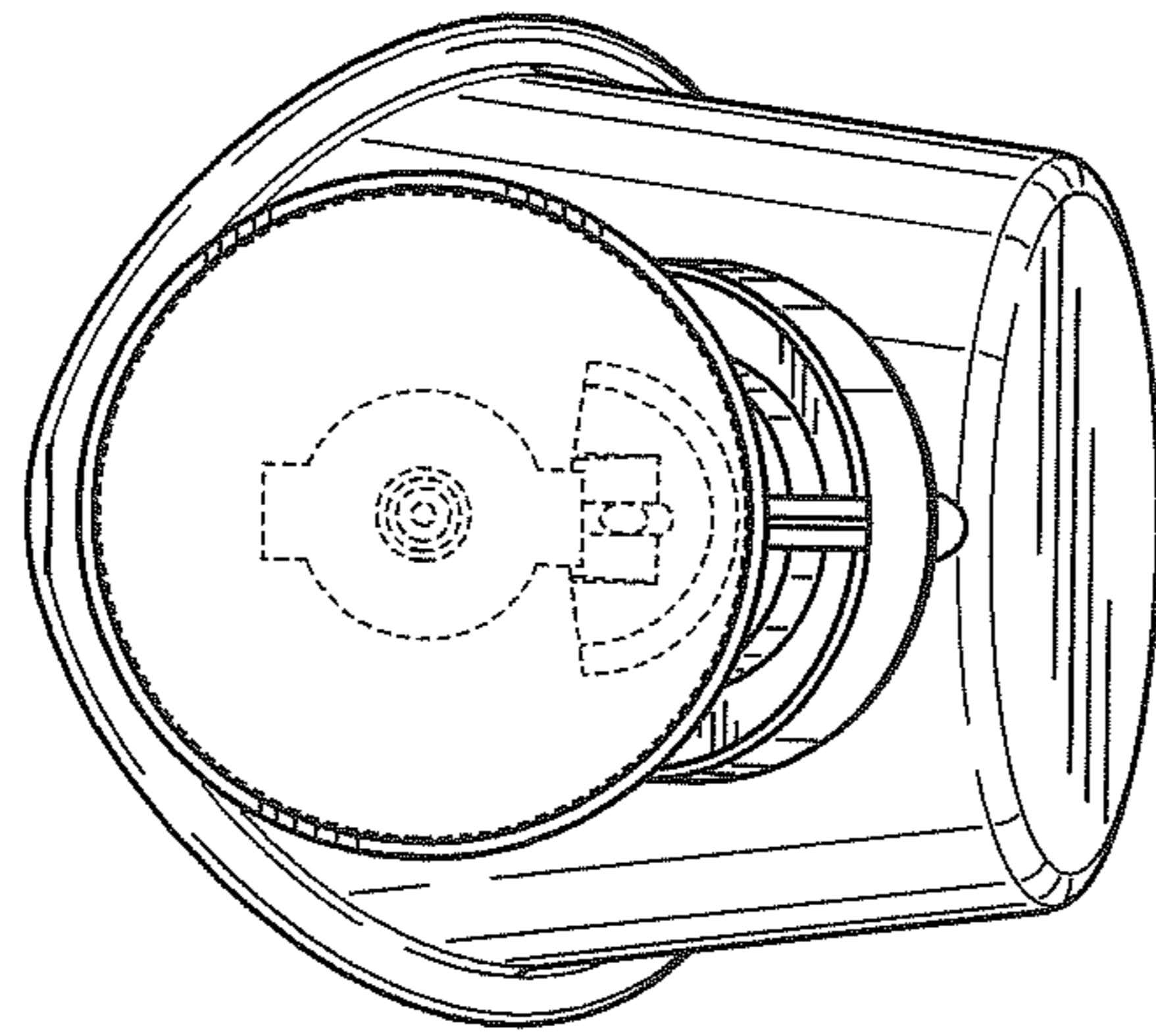


FIG. 8

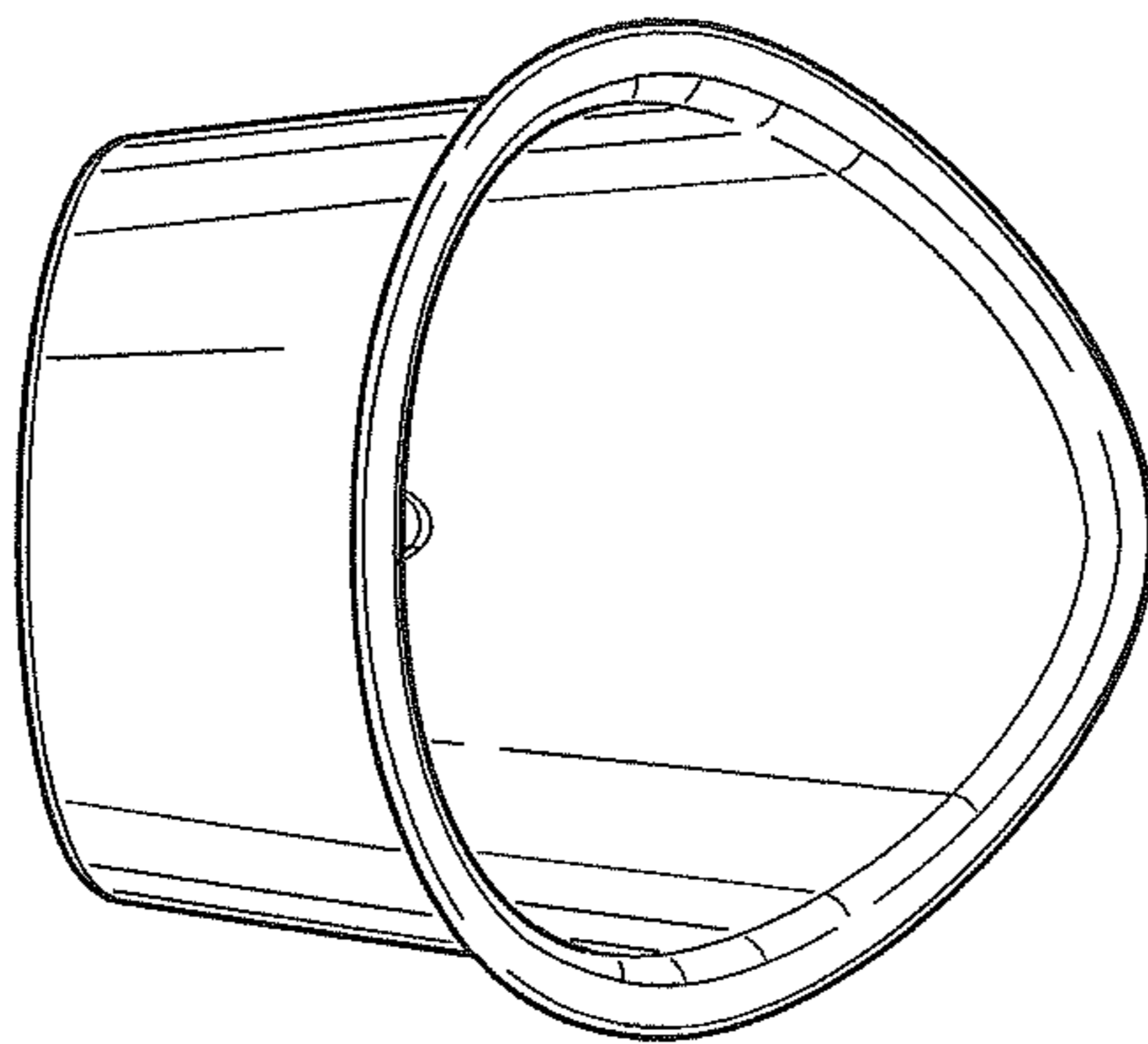


FIG. 7