



US00D748245S

(12) **United States Design Patent**  
**Petersen**

(10) **Patent No.:** **US D748,245 S**  
(45) **Date of Patent:** **\*\* Jan. 26, 2016**

- (54) **ELECTRONIC AUTOINJECTOR**
- (71) Applicants: **Bayer Pharma AG**, Berlin (DE); **Bang & Olufsen Medicom A/S**, Strue (DK)
- (72) Inventor: **Carsten Petersen**, Hojbjerg (DK)
- (73) Assignees: **Bayer Pharma Aktiengesellschaft**, Berlin (DE); **Glufsen Medicom A/S, Corporation**, Strue (DK)
- (\*\*) Term: **14 Years**
- (21) Appl. No.: **29/484,223**
- (22) Filed: **Mar. 7, 2014**

D453,569	S	*	2/2002	Himbert	.....	D24/114
D471,976	S	*	3/2003	Pavlu et al.	.....	D24/114
D476,734	S	*	7/2003	Pavlu et al.	.....	D24/114
D606,190	S	*	12/2009	Pruitt et al.	.....	D24/113
D677,785	S	*	3/2013	Stones et al.	.....	D24/113
2009/0275969	A1	*	11/2009	Kitamura et al.	.....	606/182
2013/0123710	A1	*	5/2013	Ekman et al.	.....	604/198
2014/0148763	A1	*	5/2014	Karlsson et al.	.....	604/198

- (30) **Foreign Application Priority Data**
- Sep. 20, 2013 (EM) ..... 002313122-001
- (51) **LOC (10) Cl.** ..... **24-02**
- (52) **U.S. Cl.**
- USPC ..... **D24/113**
- (58) **Field of Classification Search**
- USPC ..... D24/112-114, 127-131, 133, 186;  
606/181, 185; 604/264, 272, 115, 232,  
604/187, 158, 164.08, 192, 263, 163, 181,  
604/184, 198, 227; 600/101, 139, 143;  
128/200.24, 207.14, 207.15
- CPC ..... A61M 5/2033; A61M 2005/206;  
A61M 5/326; A61M 5/3202; A61M 2005/208
- See application file for complete search history.

**OTHER PUBLICATIONS**

Reddot 21, Bayer Betaconnect Auto Injector, Aug. 2, 2014, <http://www.red-dot-21.com/products/bayer-betaconnect-auto-injector-19688>.\*

youtube.com, Betaconnect patient inject Video, Sep. 23, 2014, [https://www.youtube.com/watch?v=e\\_XIGzxl9E](https://www.youtube.com/watch?v=e_XIGzxl9E).\*

\* cited by examiner

*Primary Examiner* — David Muller  
*Assistant Examiner* — Nathan Johnston  
 (74) *Attorney, Agent, or Firm* — Drinker Biddle & Reath LLP

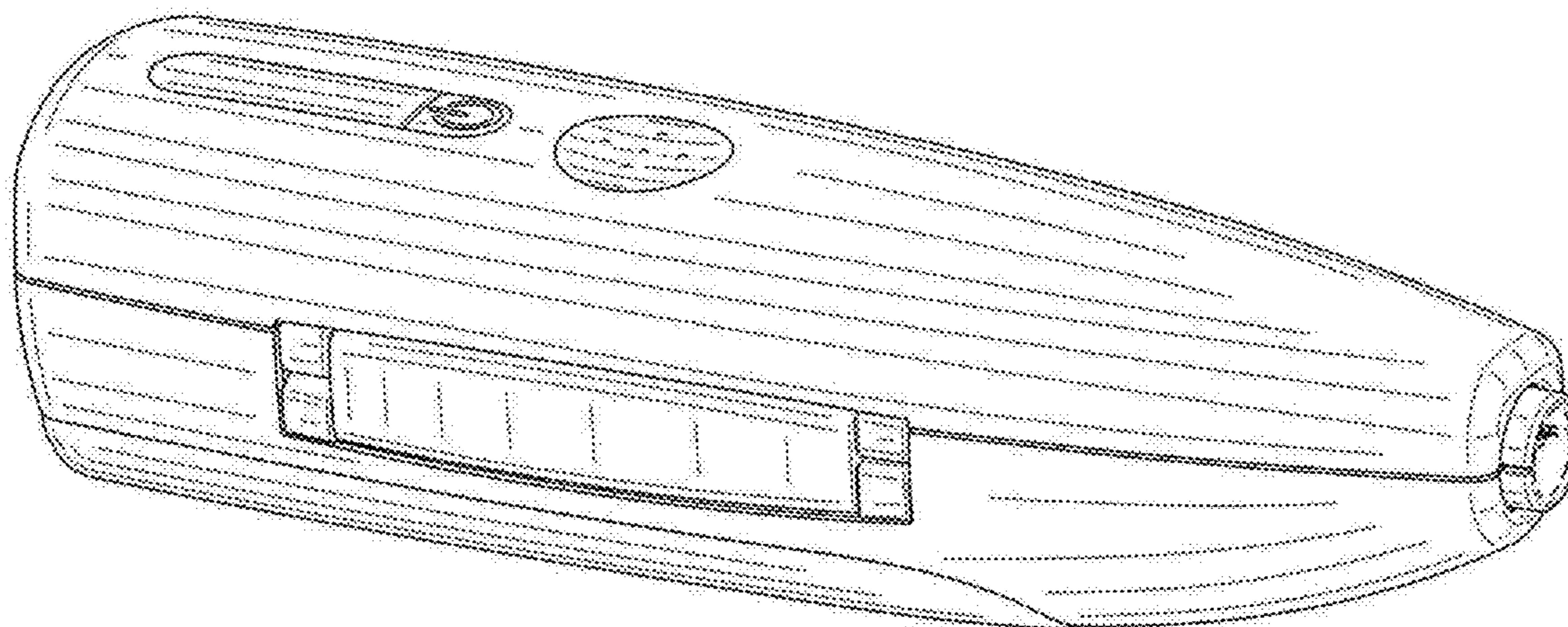
(57) **CLAIM**  
 An ornamental design for an electronic autoinjector, as shown and described.

**DESCRIPTION**

FIG. 1 is a perspective view of an electronic autoinjector showing my new design.  
 FIG. 2 is a top plan view thereof.  
 FIG. 3 is a bottom plan view thereof.  
 FIG. 4 is a left side elevation view thereof.  
 FIG. 5 is a right side elevation view thereof.  
 FIG. 6 is a front elevation view thereof; and,  
 FIG. 7 is a rear elevation view thereof.  
 The broken line showing of parts of the drawings is included for the purpose of illustrating use and environment and forms no part of the claimed design.

**1 Claim, 6 Drawing Sheets**

- (56) **References Cited**
- U.S. PATENT DOCUMENTS
- D351,465 S \* 10/1994 Stringer et al. .... D24/113
- D368,961 S \* 4/1996 Himbert et al. .... D24/114
- D375,789 S \* 11/1996 Bryant et al. .... D24/112
- D389,915 S \* 1/1998 Emerson et al. .... D24/144



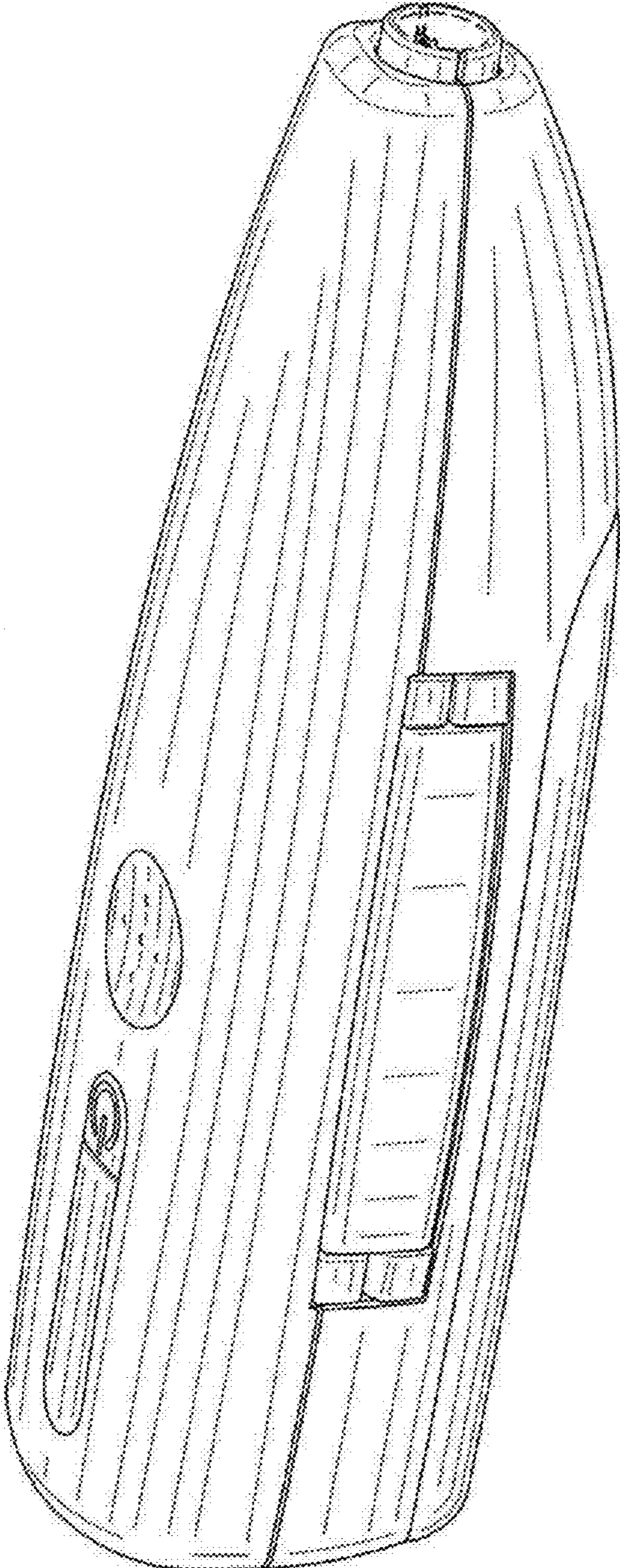


FIG. 1

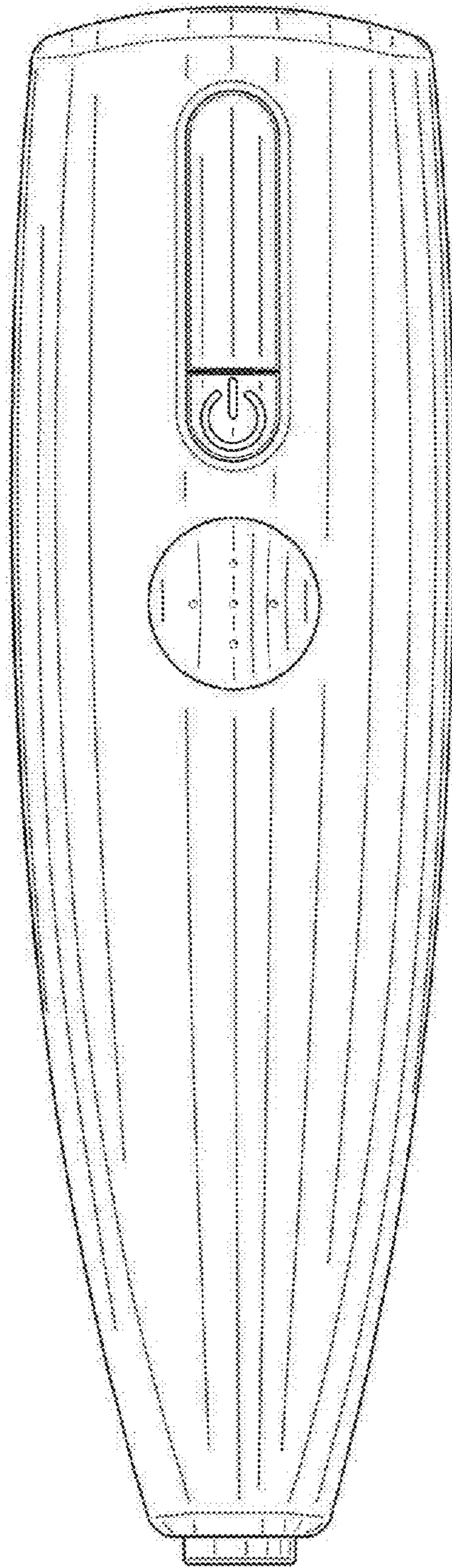


FIG. 2

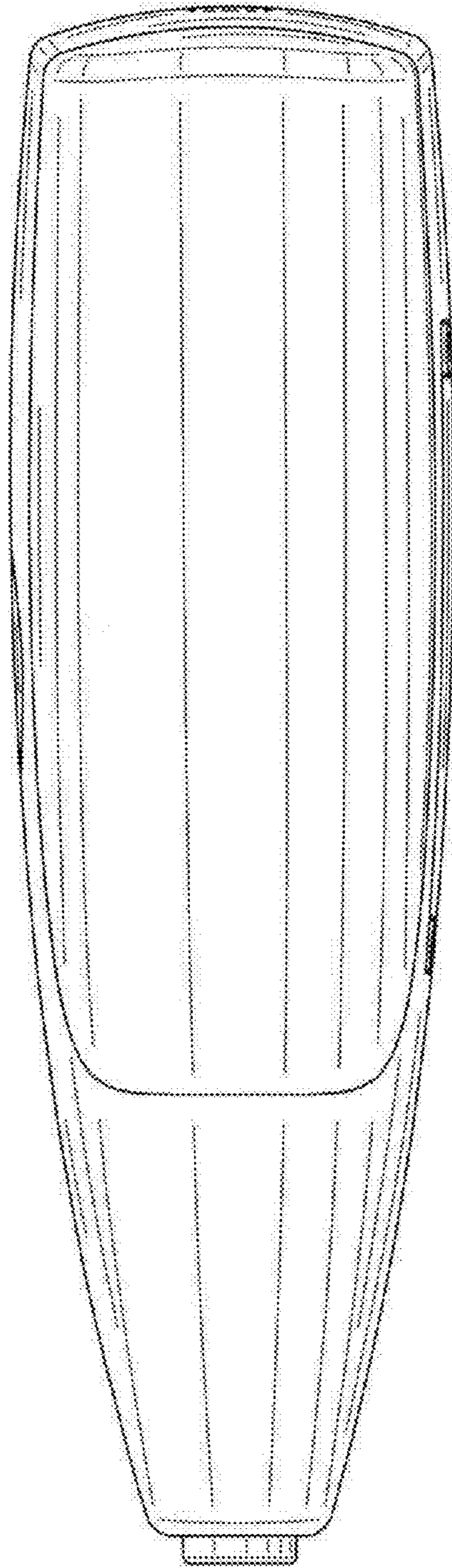


FIG. 3

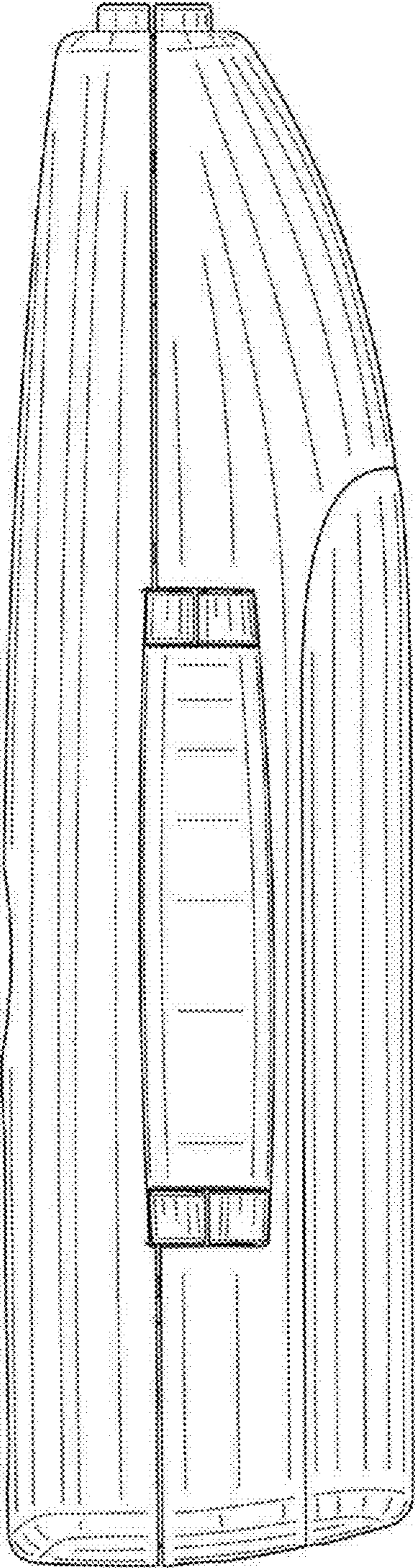


FIG. 4

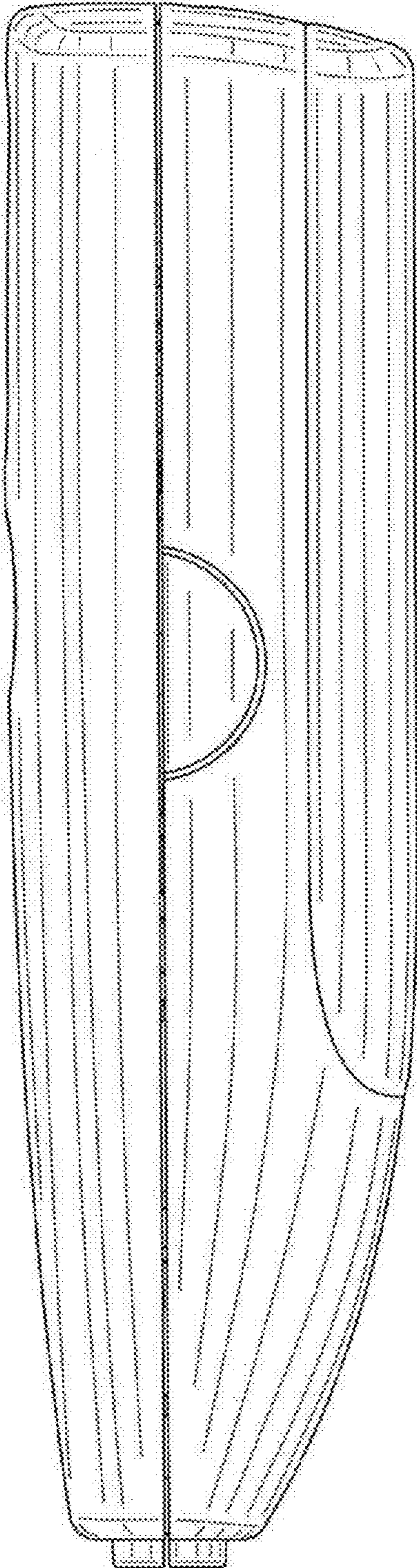


FIG. 5

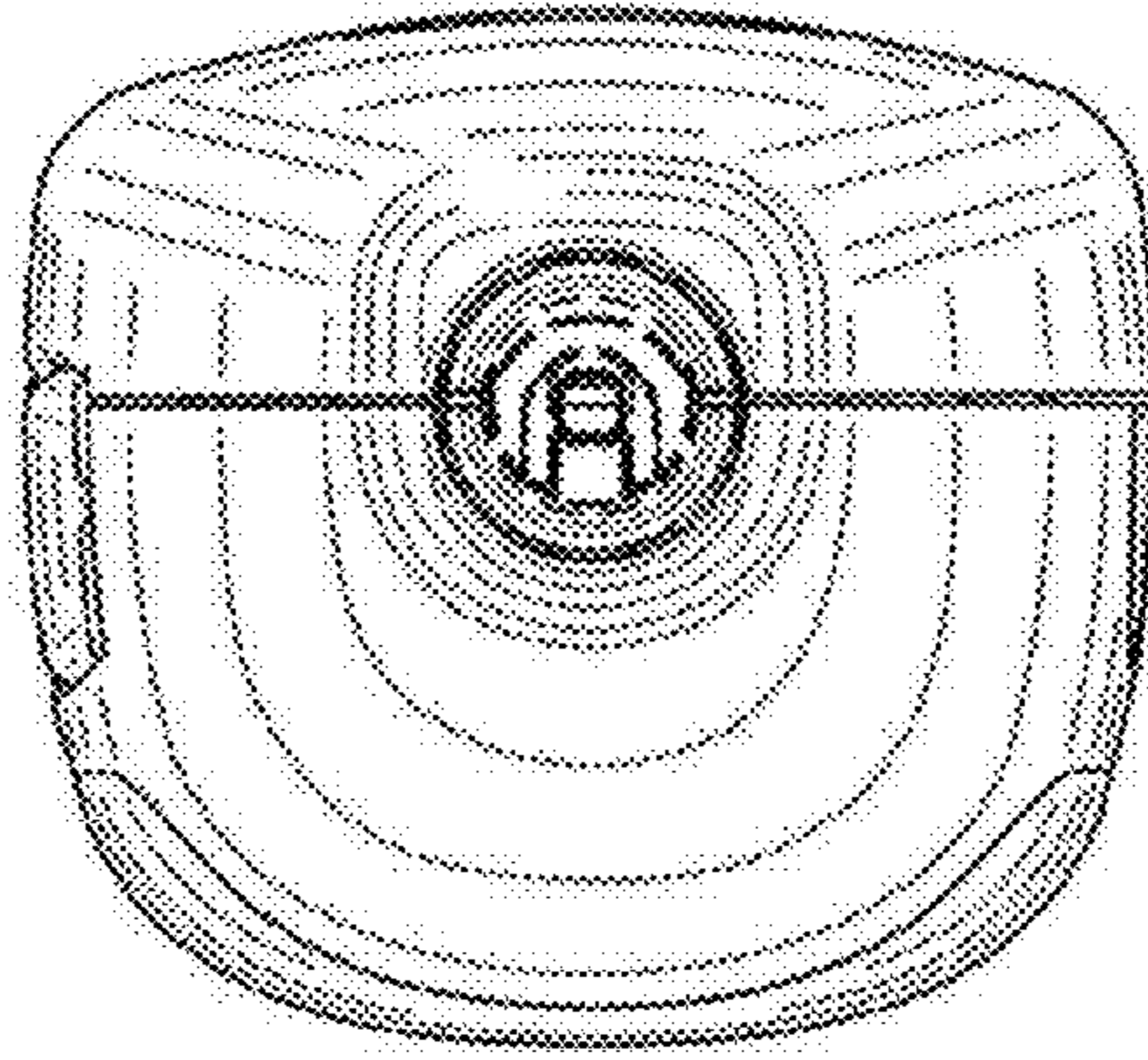


FIG. 6

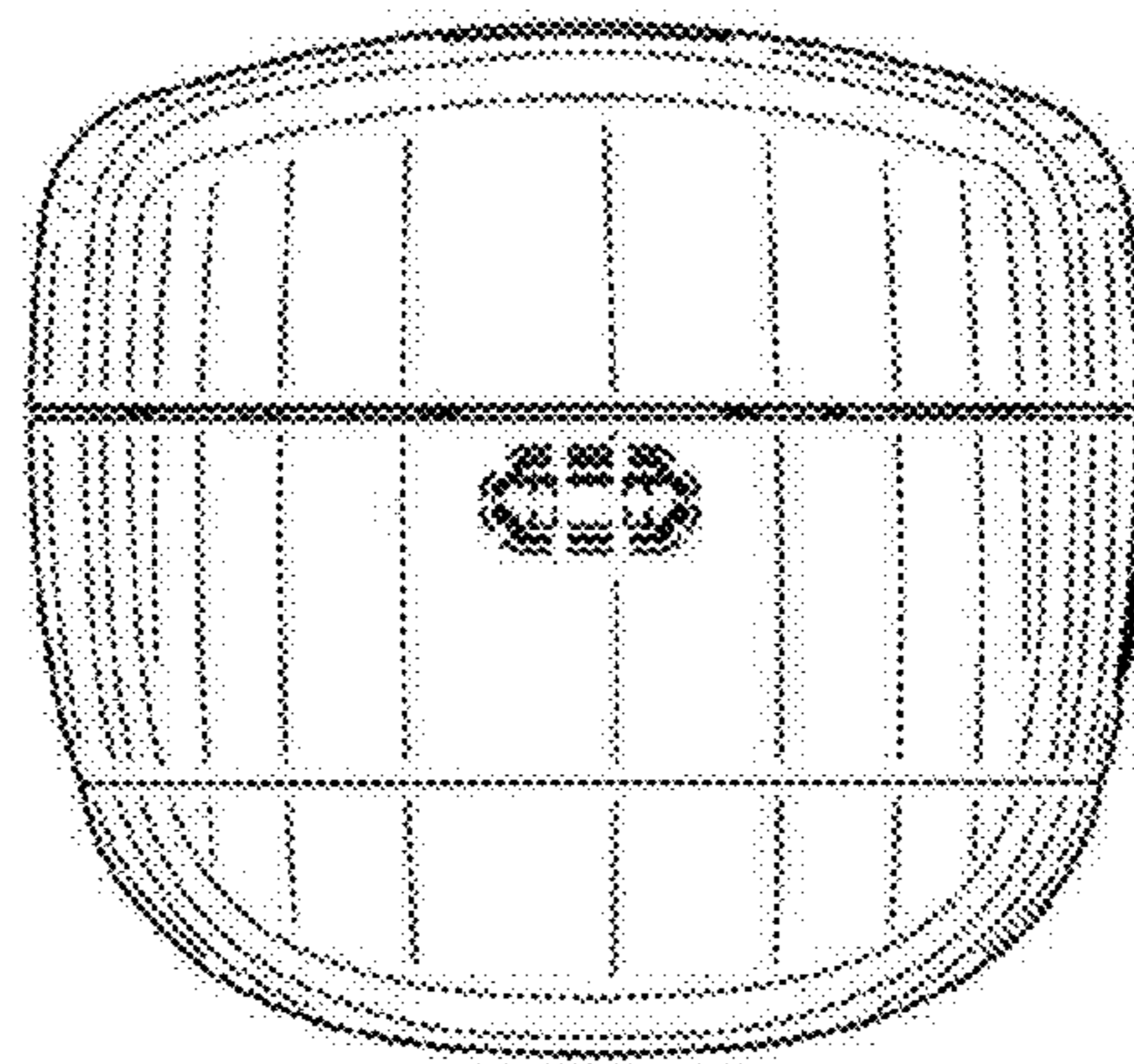


FIG. 7