



US00D748244S

(12) **United States Design Patent**
Petersen

(10) **Patent No.:** **US D748,244 S**
(45) **Date of Patent:** **** Jan. 26, 2016**

(54) **ELECTRONIC AUTOINJECTOR**
(71) Applicants: **Bayer Pharma AG**, Berlin (DE); **Bang & Olufsen Medicom A/S**, Strue (DK)
(72) Inventor: **Carsten Petersen**, Hojbjerg (DK)
(73) Assignees: **Bayer Pharma Aktiengesellschaft**, Berlin (DE); **Glufsen Medicom A/S, Corporation**, Strue (DK)

(**) Term: **14 Years**
(21) Appl. No.: **29/484,218**
(22) Filed: **Mar. 7, 2014**

(30) **Foreign Application Priority Data**
Sep. 20, 2013 (EM) 002313122-0002
(51) **LOC (10) Cl.** **24-02**
(52) **U.S. Cl.**
USPC **D24/113**
(58) **Field of Classification Search**
USPC D24/112-114, 127-131, 133, 186;
606/181, 185; 604/264, 272, 115, 232,
604/187, 158, 164.08, 192, 263, 163, 181,
604/184, 198, 227; 600/101, 139, 143;
128/200.24, 207.14, 207.15
CPC A61M 5/2033; A61M 2005/206;
A61M 5/326; A61M 5/3202; A61M 2005/208
See application file for complete search history.

(56) **References Cited**
U.S. PATENT DOCUMENTS
D351,465 S * 10/1994 Stringer et al. D24/113
D368,961 S * 4/1996 Himbert et al. D24/114
D375,789 S * 11/1996 Bryant et al. D24/112
D389,915 S * 1/1998 Emerson et al. D24/144

D453,569 S * 2/2002 Himbert D24/114
D471,976 S * 3/2003 Pavlu et al. D24/114
D476,734 S * 7/2003 Pavlu et al. D24/114
D606,190 S * 12/2009 Pruitt et al. D24/113
D677,785 S * 3/2013 Stones et al. D24/113
2009/0275969 A1 * 11/2009 Kitamura et al. 606/182
2013/0123710 A1 * 5/2013 Ekman et al. 604/198
2014/0148763 A1 * 5/2014 Karlsson et al. 604/198

OTHER PUBLICATIONS

Reddot 21, Bayer BETACONNECT Auto Injector, Aug. 2, 2014, <http://www.red-dot-21.com/products/bayer-betaconnect-auto-injector-19688>. *
youtube.com, BETACONNECT patient inject Video, Sep. 23, 2014, https://www.youtube.com/watch?v=e_XIGzxIc9E. *

* cited by examiner

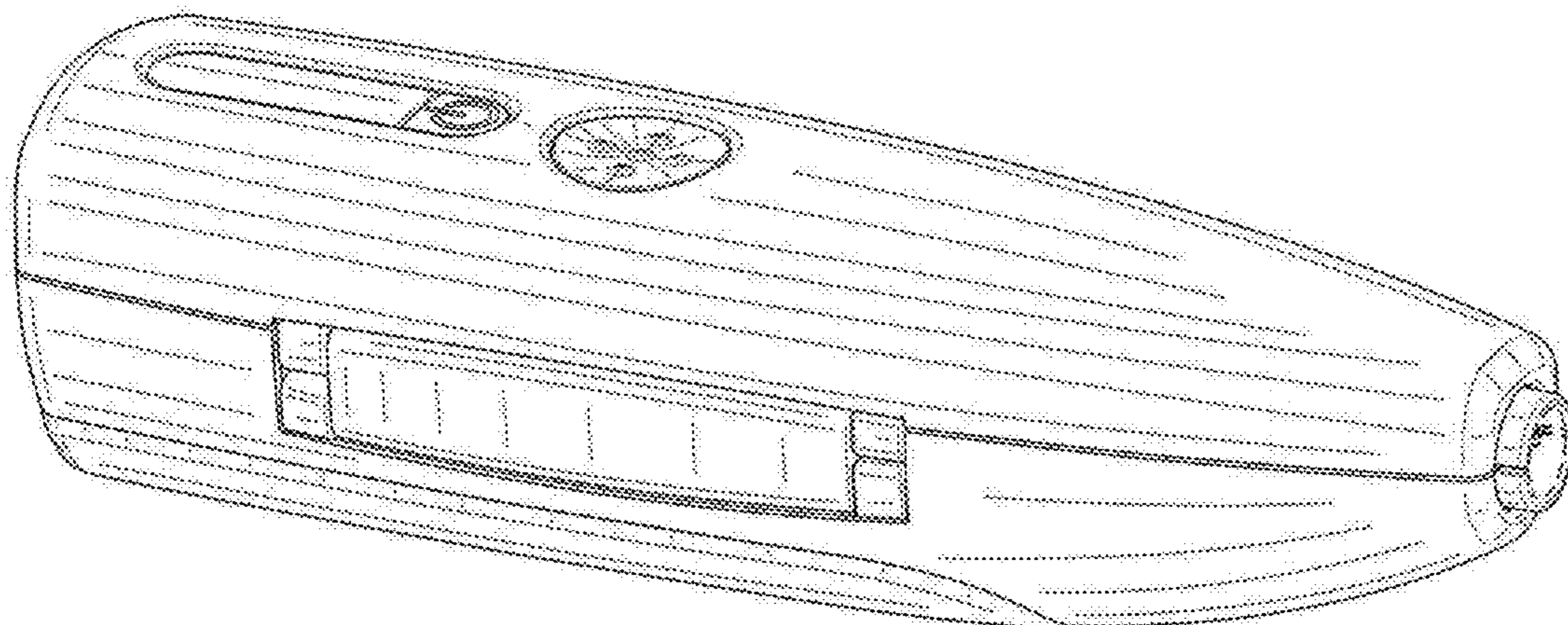
Primary Examiner — David Muller
Assistant Examiner — Nathan Johnston
(74) *Attorney, Agent, or Firm* — Drinker Biddle & Reath LLP

(57) **CLAIM**
An ornamental design for an electronic autoinjector, as shown and described.

DESCRIPTION

FIG. 1 is a perspective view of an electronic autoinjector showing my new design.
FIG. 2 is a top plan view thereof.
FIG. 3 is a bottom plan view thereof.
FIG. 4 is a left side elevation view thereof.
FIG. 5 is a right side elevation view thereof.
FIG. 6 is a front elevation view thereof; and,
FIG. 7 is a rear elevation view thereof.
The broken line showing of parts of the drawings is included for the purpose of illustrating use and environment and forms no part of the claimed design.

1 Claim, 6 Drawing Sheets



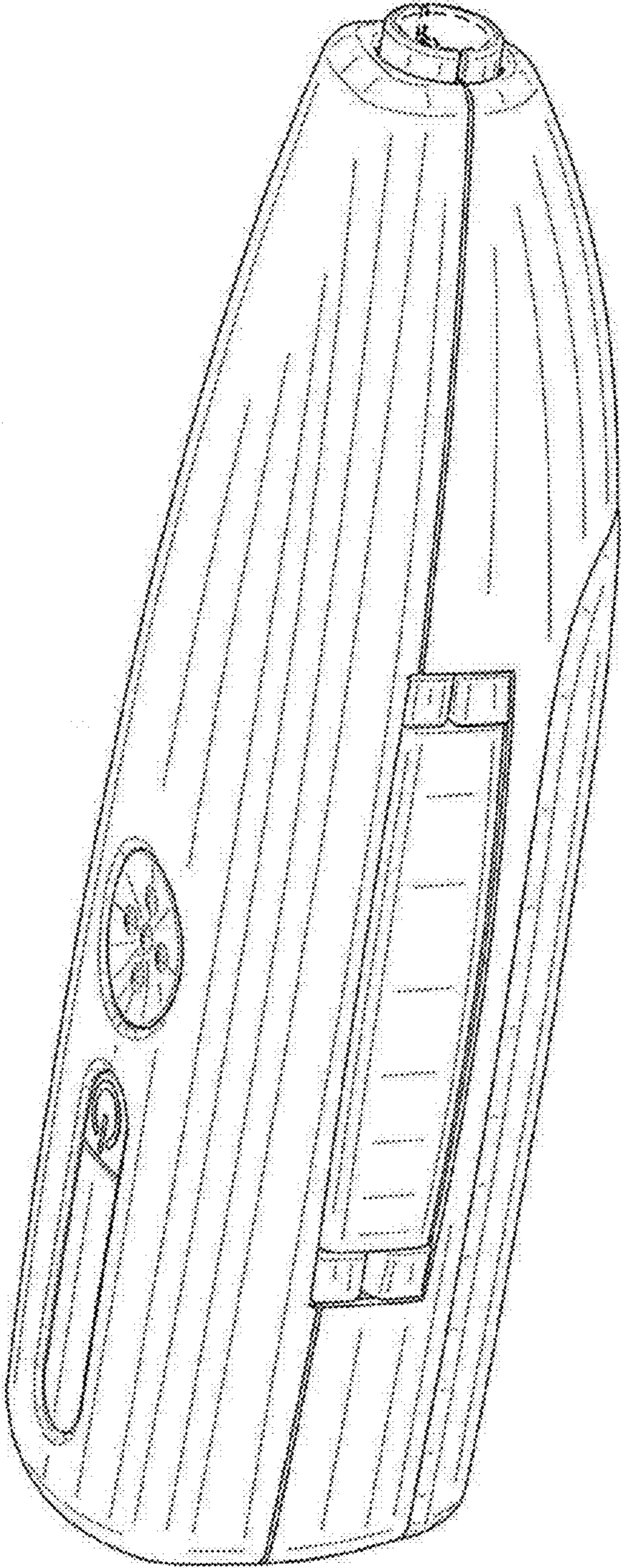


FIG. 1

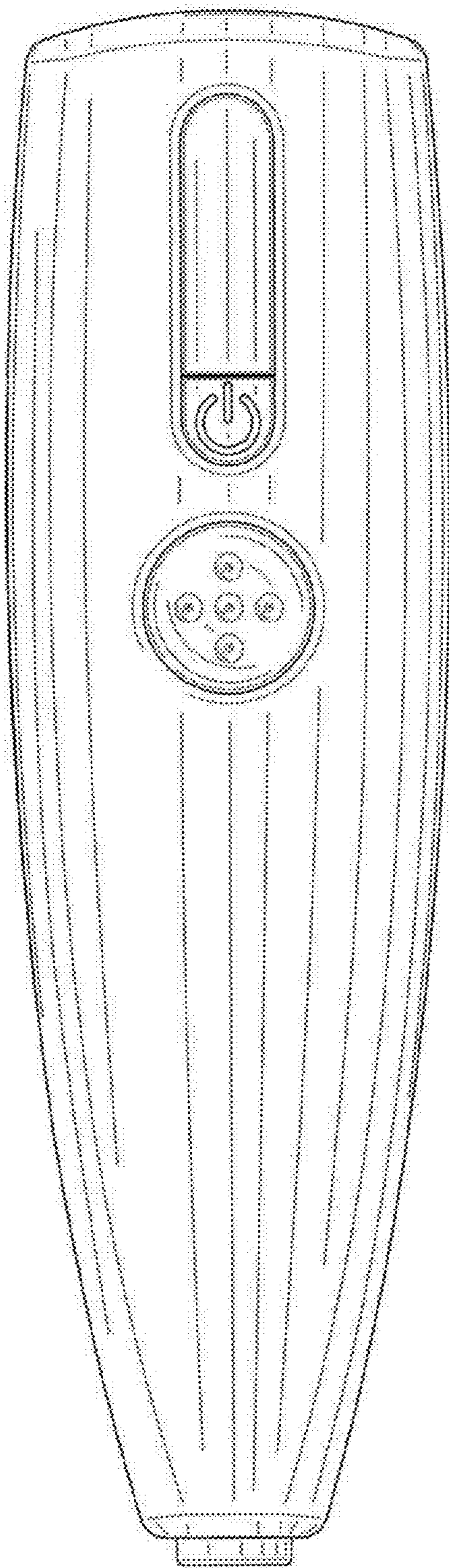


FIG. 2

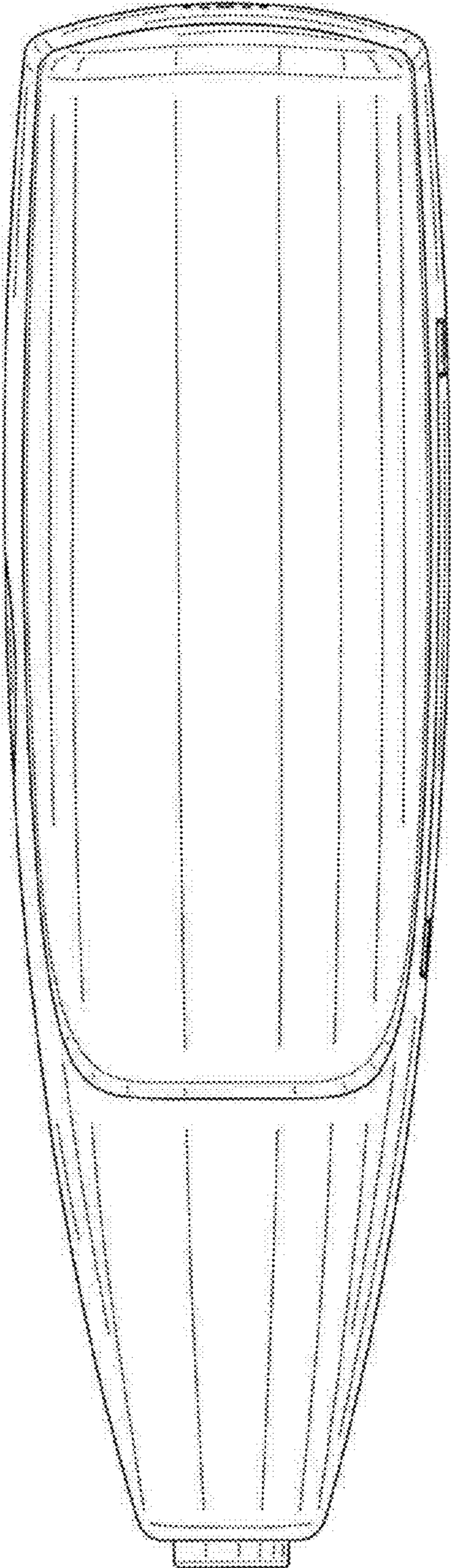


FIG. 3

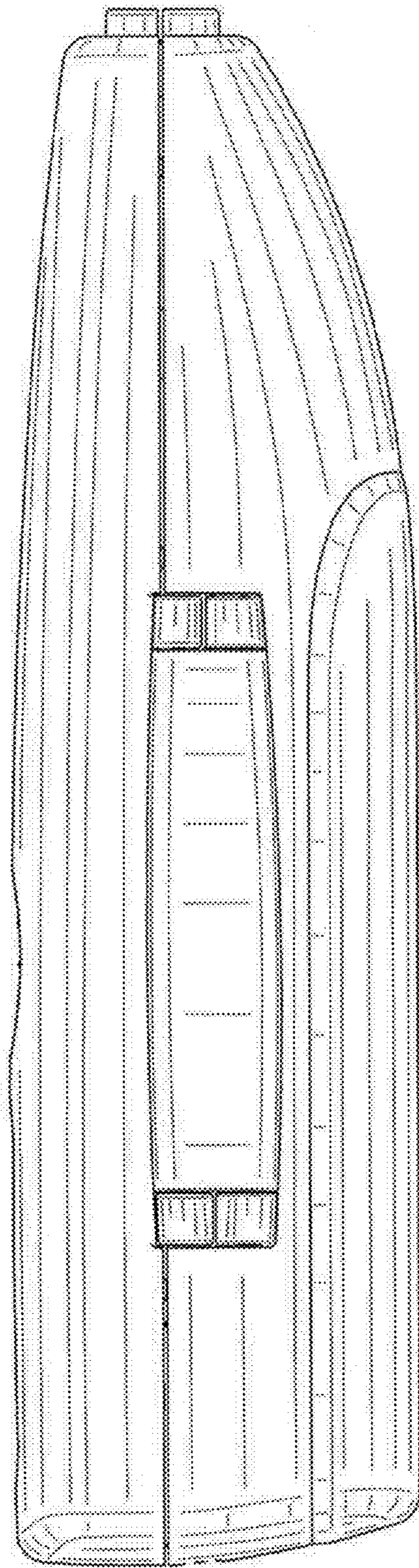


FIG. 4

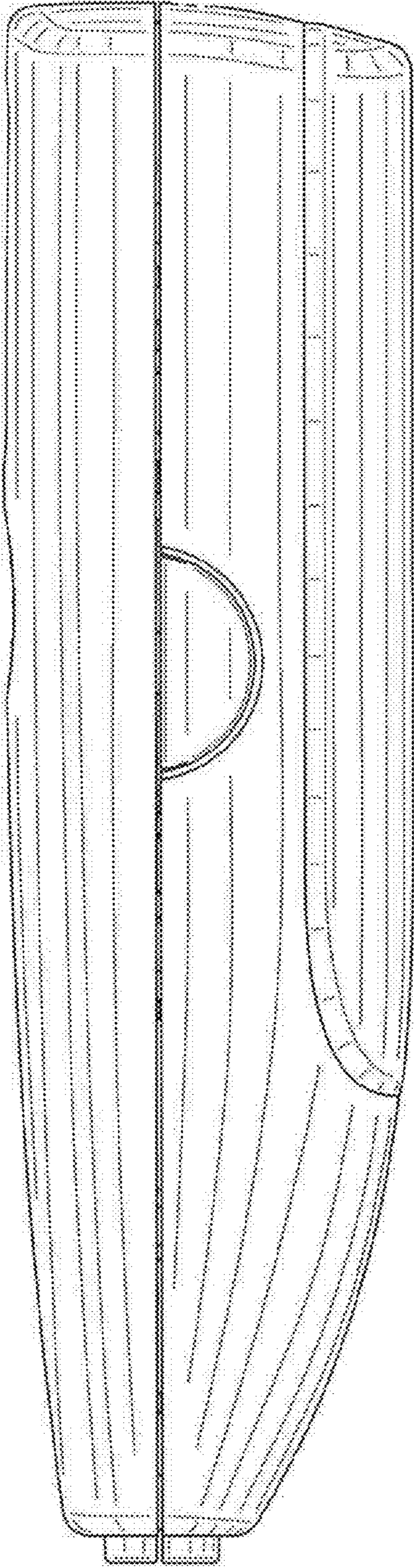


FIG. 5

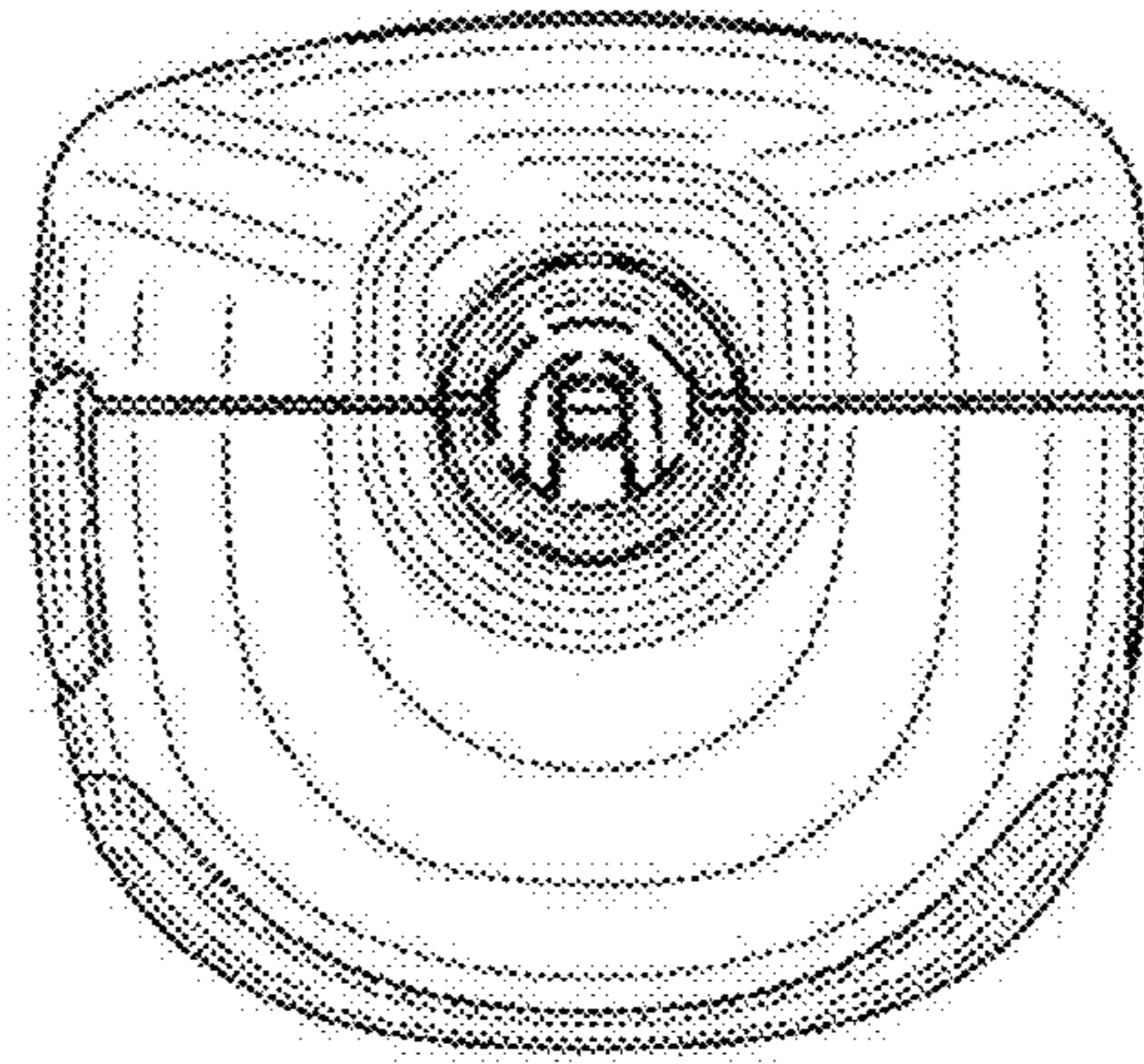


FIG. 6

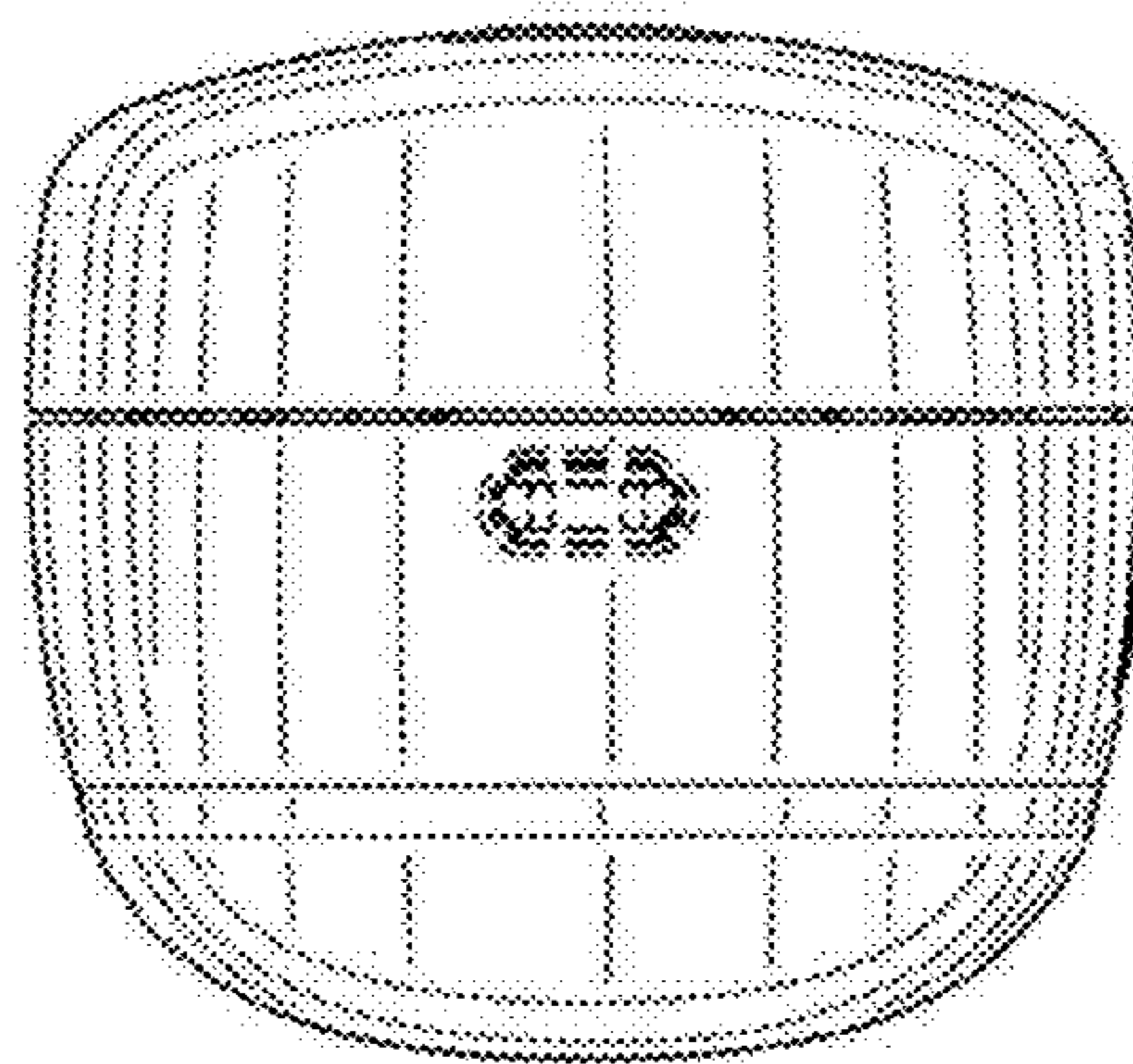


FIG. 7