



US00D748243S

(12) **United States Design Patent**  
**Perthu**

(10) **Patent No.:** **US D748,243 S**

(45) **Date of Patent:** **\*\* Jan. 26, 2016**

(54) **AUTO-INJECTOR**

(71) Applicant: **Michael Perthu**, Copenhagen (DK)

(72) Inventor: **Michael Perthu**, Copenhagen (DK)

(\*\*) Term: **14 Years**

(21) Appl. No.: **29/481,525**

(22) Filed: **Feb. 6, 2014**

(30) **Foreign Application Priority Data**

Aug. 6, 2013 (EM) ..... 002287417-0001  
Aug. 6, 2013 (EM) ..... 002287417-0002

(51) **LOC (10) Cl.** ..... **24-02**

(52) **U.S. Cl.**  
USPC ..... **D24/113**

(58) **Field of Classification Search**  
USPC ..... D24/112–114, 108, 133, 130, 127, 186;  
606/181, 185; 604/264, 272, 187, 181,  
604/184, 227  
CPC ..... A61M 5/2033; A61M 2005/206;  
A61M 5/326; A61M 5/3202; A61M 2005/208  
See application file for complete search history.

(56) **References Cited**

**U.S. PATENT DOCUMENTS**

2,994,323	A *	8/1961	Dann et al. ....	604/232
3,076,455	A *	2/1963	McConnaughey et al. ...	604/232
4,573,976	A *	3/1986	Sampson et al. ....	604/198
4,594,073	A *	6/1986	Stine .....	604/187
5,098,382	A *	3/1992	Haber et al. ....	604/110
5,115,816	A *	5/1992	Lee .....	600/562
D349,958	S *	8/1994	Hollis et al. ....	D24/112
D366,698	S *	1/1996	Stiehl et al. ....	D24/114
5,620,422	A *	4/1997	Halbich .....	604/187
5,672,161	A *	9/1997	Allen et al. ....	604/263
D397,217	S *	8/1998	Brookfield .....	D24/130
5,814,023	A *	9/1998	Fulk et al. ....	604/232
6,213,987	B1 *	4/2001	Hirsch et al. ....	604/263

D446,579	S *	8/2001	Perthu .....	D24/114
6,585,698	B1 *	7/2003	Packman et al. ....	604/207
D548,551	S *	8/2007	Lopano et al. ....	D8/14.1
D645,962	S *	9/2011	Shaw et al. ....	D24/130
8,647,305	B2 *	2/2014	Ohta et al. ....	604/181
8,857,672	B2 *	10/2014	Naughton et al. ....	222/327
2005/0023301	A1 *	2/2005	Rumrill et al. ....	222/391
2005/0263544	A1 *	12/2005	Chang et al. ....	222/391
2007/0233038	A1 *	10/2007	Pruitt et al. ....	604/522
2009/0272767	A1 *	11/2009	Herman et al. ....	222/326
2011/0046604	A1 *	2/2011	Felsovalyi et al. ....	604/506
2012/0130277	A1 *	5/2012	Shapland .....	600/576
2014/0276443	A1 *	9/2014	Dasbach et al. ....	604/192

**OTHER PUBLICATIONS**

Union Medico, 90 Super Grip auto-injector, Apr. 9, 2015, <http://unionmedico.com/90-super-grip/>.\*

\* cited by examiner

*Primary Examiner* — David Muller  
*Assistant Examiner* — Nathan Johnston  
(74) *Attorney, Agent, or Firm* — Harness, Dickey & Pierce, P.L.C.

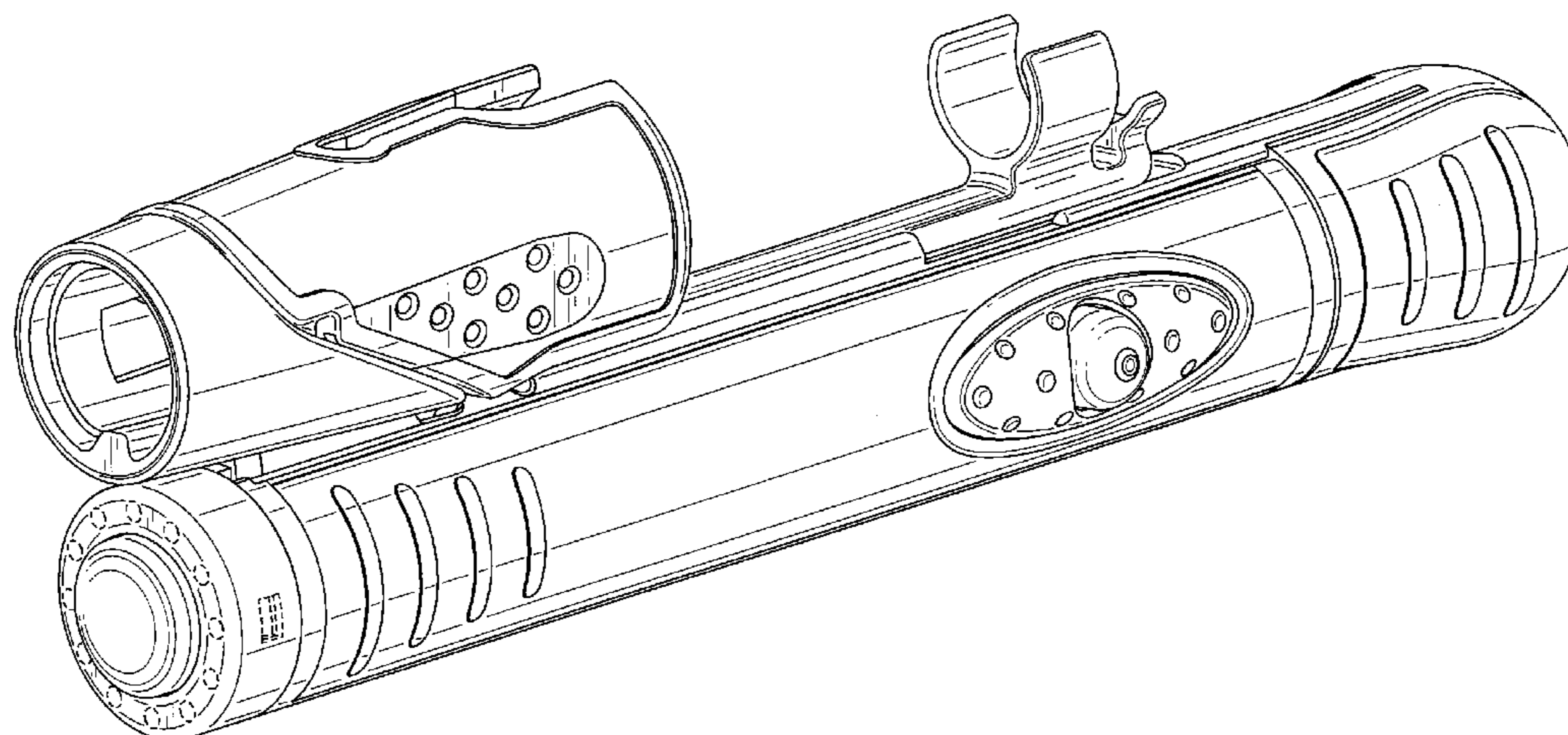
(57) **CLAIM**

The ornamental design for the auto-injector, as shown and described.

**DESCRIPTION**

FIG. 1 is front perspective view of an auto-injector showing my new design;  
FIG. 2 is first end elevation view thereof;  
FIG. 3 is second end elevation view thereof;  
FIG. 4 is a left side elevation view thereof;  
FIG. 5 is a right side elevation view thereof;  
FIG. 6 is a top plan view thereof; and,  
FIG. 7 is a bottom plan view thereof.  
The features shown in broken lines depict environmental structure only and form no part of the claimed design.

**1 Claim, 6 Drawing Sheets**



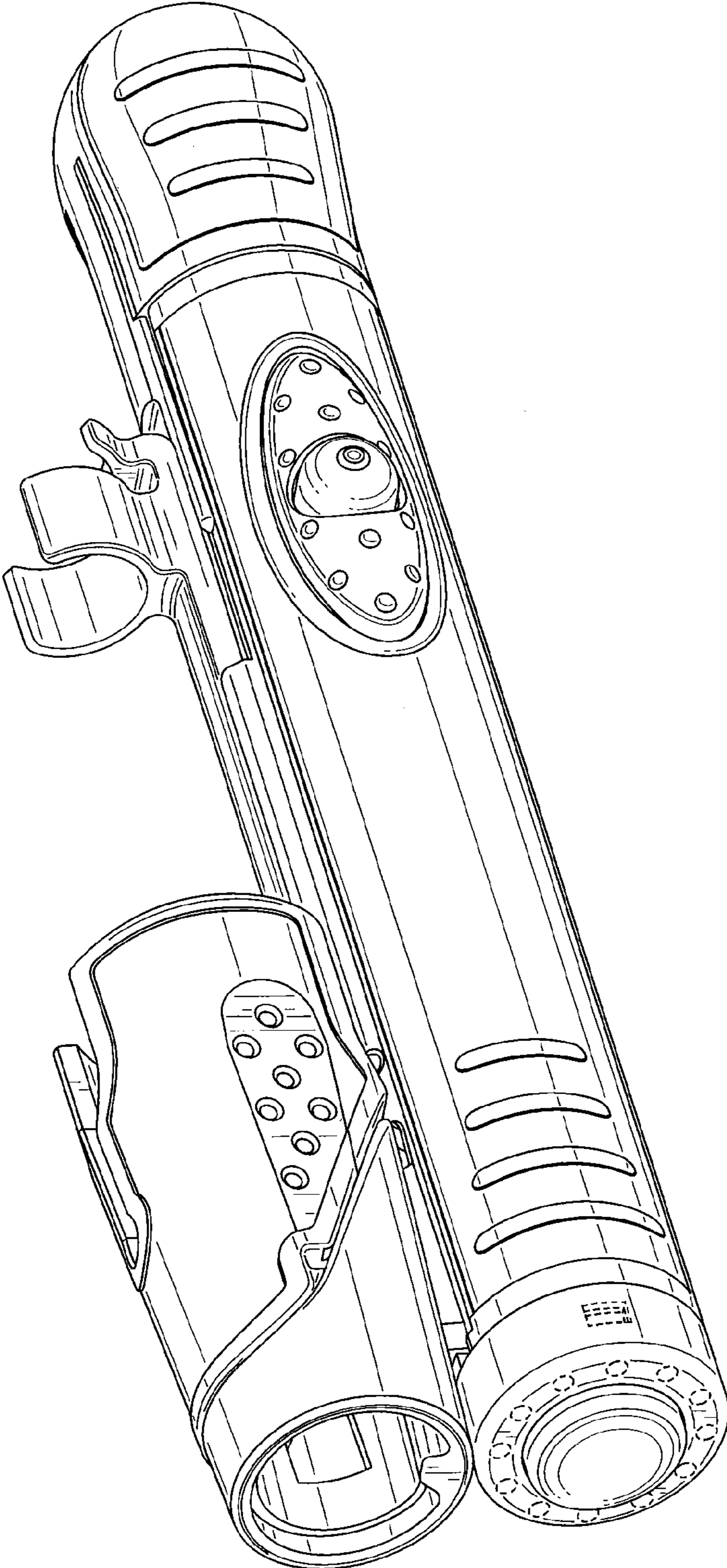


FIG. 1

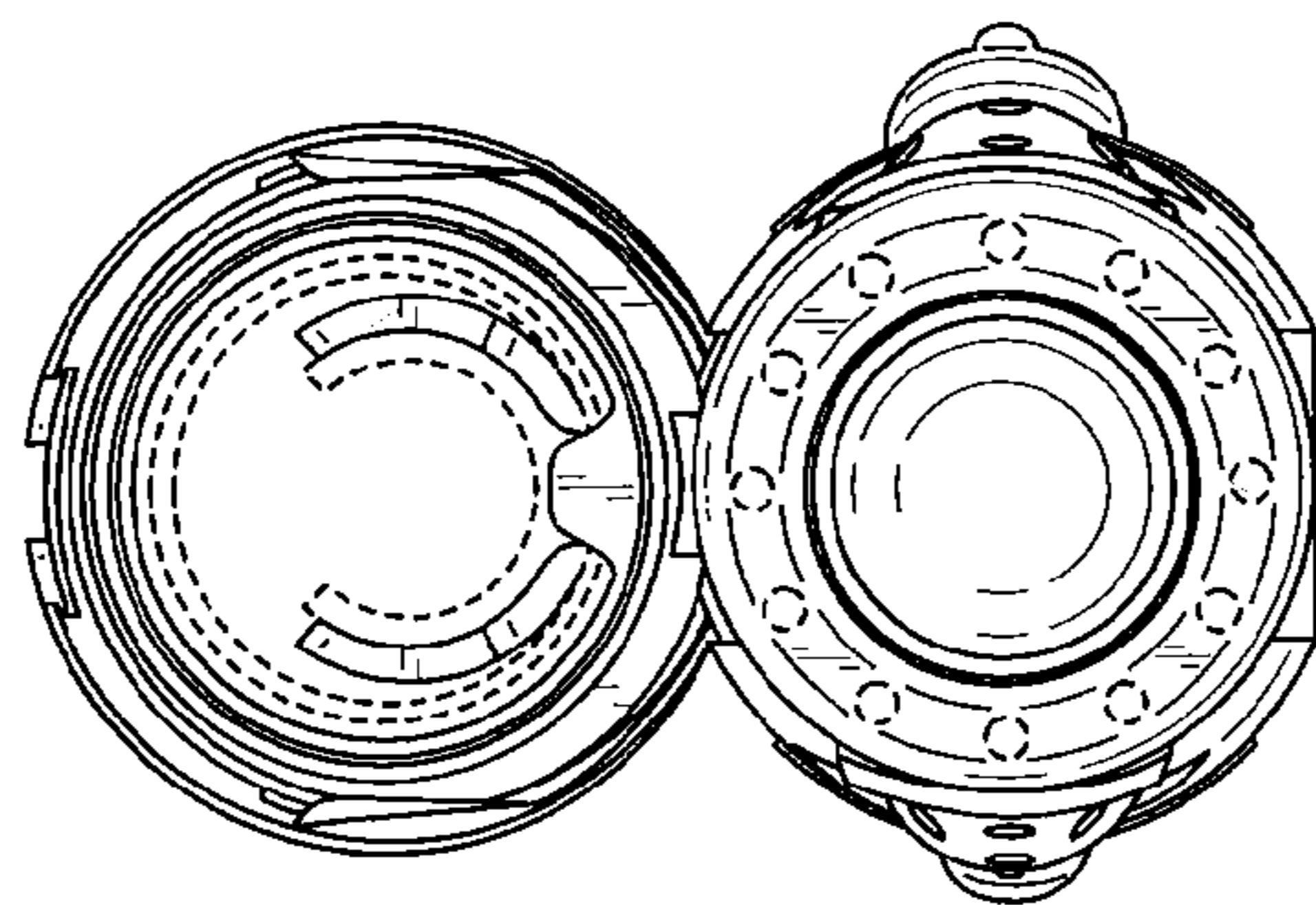


FIG. 3

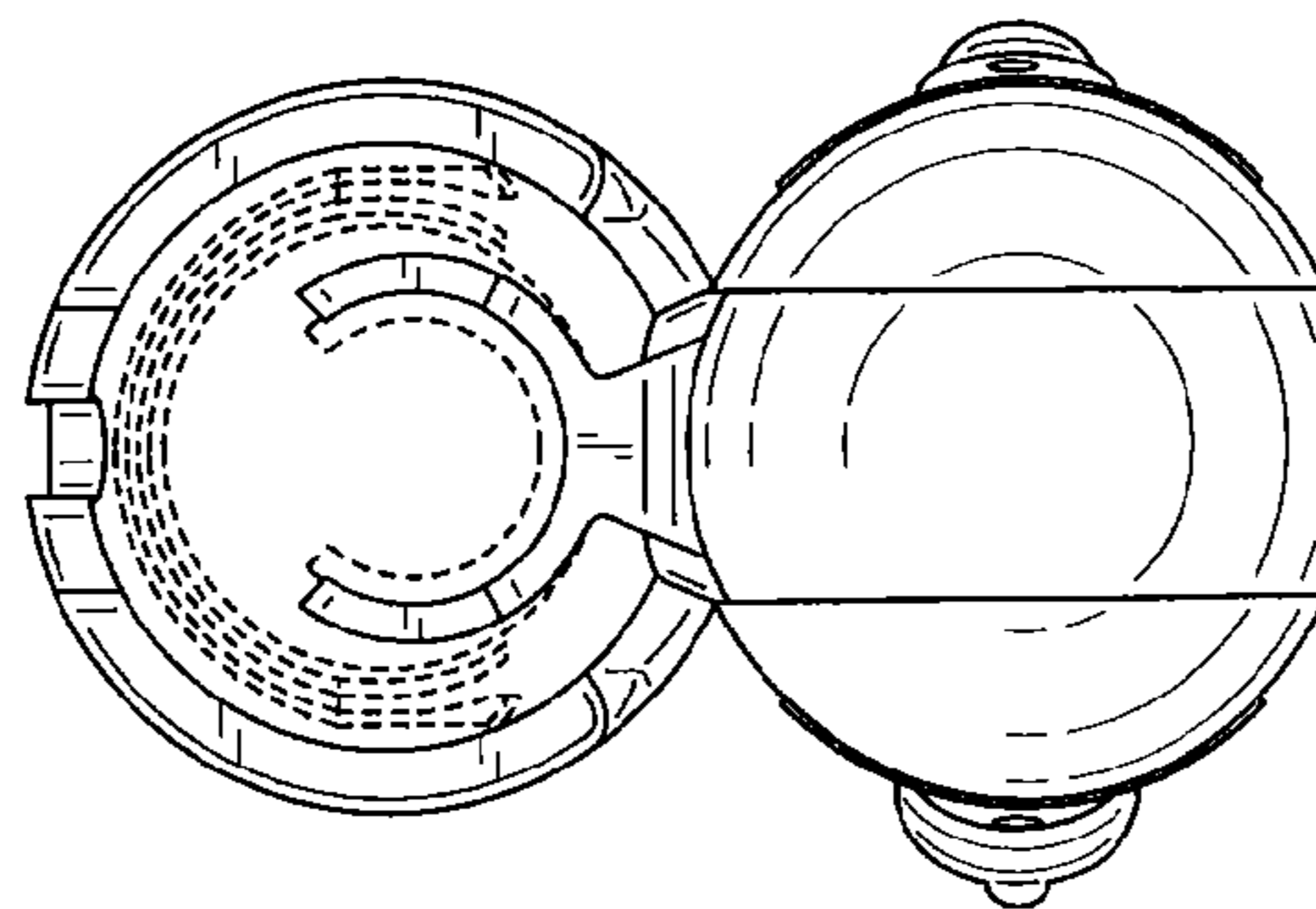


FIG. 2



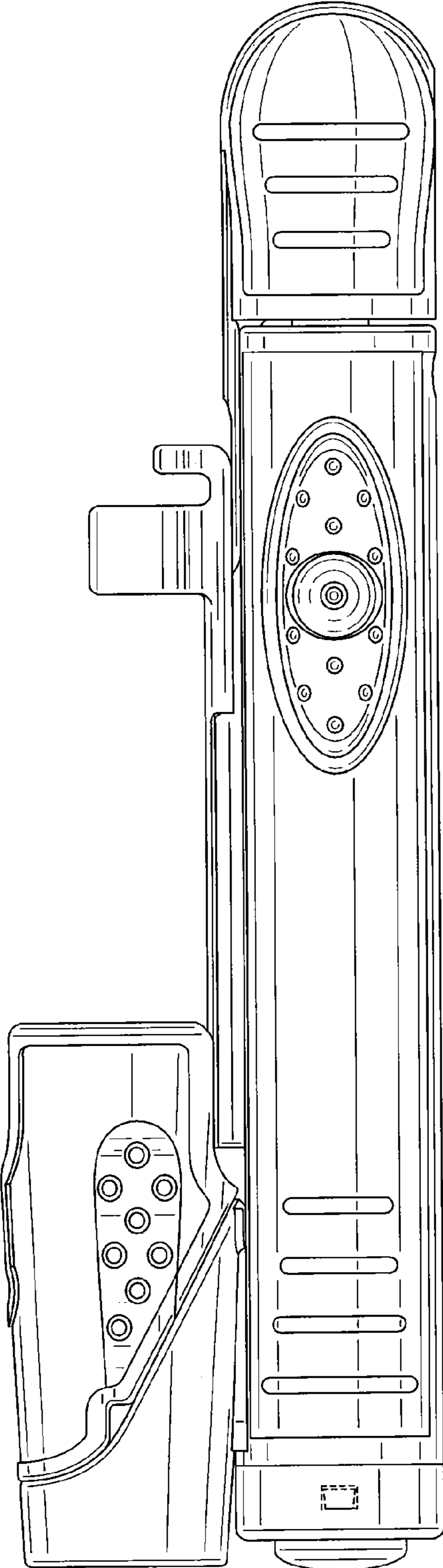


FIG. 4

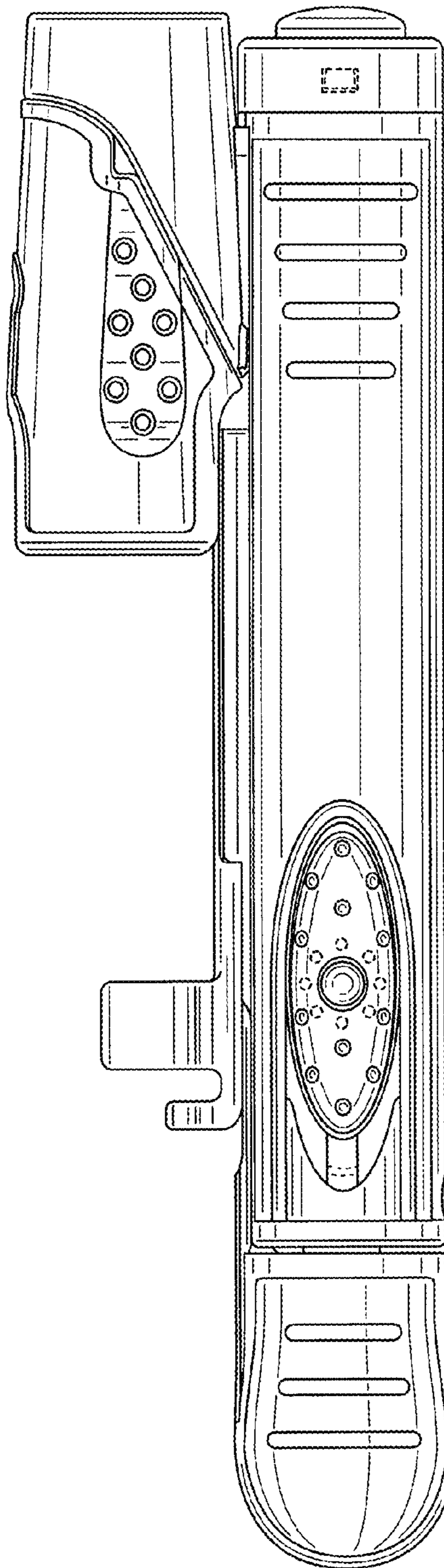


FIG. 5

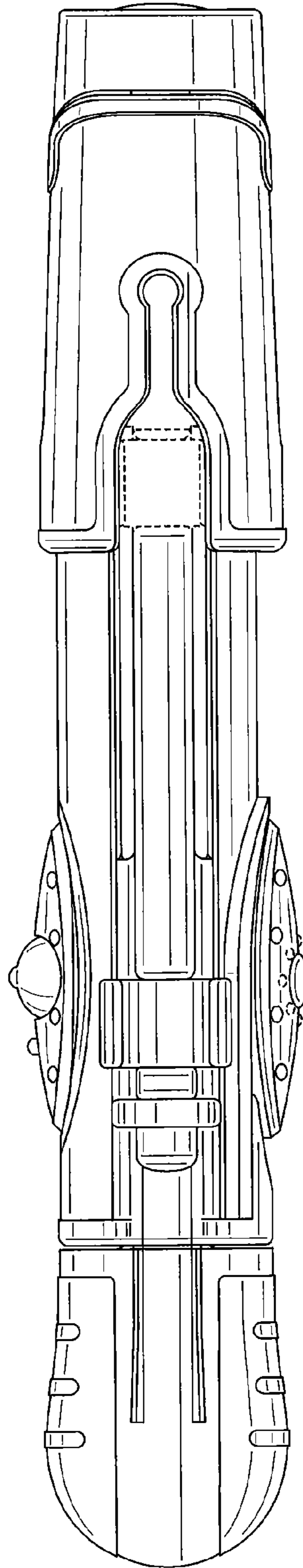


FIG. 6

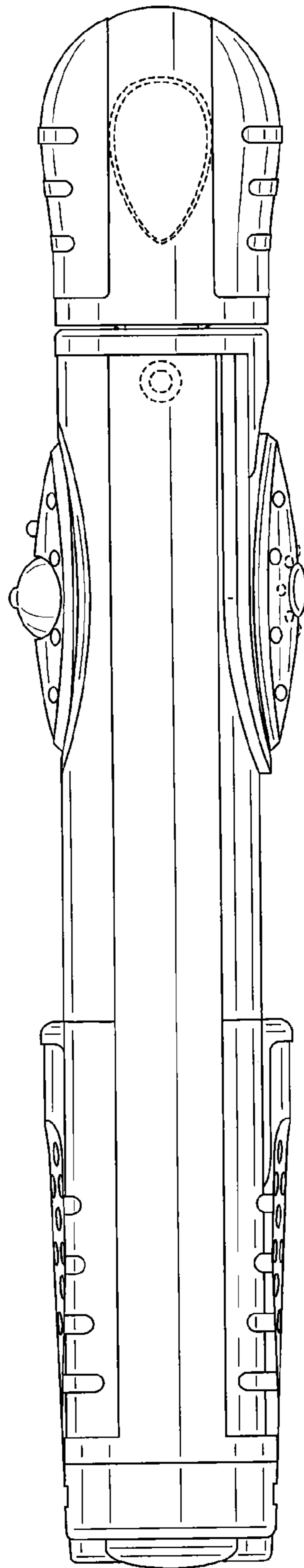


FIG. 7