



US00D748242S

(12) **United States Design Patent**
Campbell et al.

(10) **Patent No.:** **US D748,242 S**
(45) **Date of Patent:** **** Jan. 26, 2016**

- (54) **INHALER MOUTHPIECE**
- (71) Applicants: **H. Stuart Campbell**, Bear, DE (US);
John H. Silva, Granbury, TX (US)
- (72) Inventors: **H. Stuart Campbell**, Bear, DE (US);
Thomas Shanks, Temecula, CA (US)
- (73) Assignees: **H. Stuart Campbell**, Bear, DE (US);
John H. Silva, Granbury, TX (US)
- (**) Term: **14 Years**
- (21) Appl. No.: **29/496,317**
- (22) Filed: **Jul. 11, 2014**
- (51) **LOC (10) Cl.** **29-02**
- (52) **U.S. Cl.**
USPC **D24/110.5**
- (58) **Field of Classification Search**
USPC D24/107, 108, 110, 111, 164
CPC A61M 15/00; A61M 15/0021; A61M
15/0086; A61M 2202/064
See application file for complete search history.

(56) **References Cited**

U.S. PATENT DOCUMENTS

- 3,548,823 A * 12/1970 Bogacik A62B 23/02
128/205.29
- 3,809,294 A * 5/1974 Torgeson A61M 15/0086
128/203.15
- 3,856,185 A * 12/1974 Riccio A61M 11/06
222/635
- 3,906,950 A 9/1975 Coccozza
- 3,998,226 A 12/1976 Harris
- 4,013,075 A 3/1977 Coccozza
- 4,227,522 A 10/1980 Carris
- 4,456,007 A * 6/1984 Nakao A61M 11/041
128/200.21
- 4,706,663 A * 11/1987 Makiej A61M 15/00
128/200.18
- 5,007,419 A * 4/1991 Weinstein A61M 15/0003
128/200.14
- D335,343 S * 5/1993 Jones D24/110
- 5,477,849 A 12/1995 Fry

- 5,848,588 A * 12/1998 Foley A61M 15/0086
128/200.14
- 5,855,202 A * 1/1999 Andrade A61M 15/0086
128/200.14
- D412,979 S 8/1999 Weinstein et al.

(Continued)

FOREIGN PATENT DOCUMENTS

- WO 2006059340 A1 6/2006
- WO 2010070083 A1 6/2010

OTHER PUBLICATIONS

International Search Report issued Oct. 17, 2014 in International Application No. PCT/US2014/046273.

(Continued)

Primary Examiner — Sheryl Lane
Assistant Examiner — Lilyana Bekic

(74) *Attorney, Agent, or Firm* — Panitch Schwarze Belisario & Nadel LLP

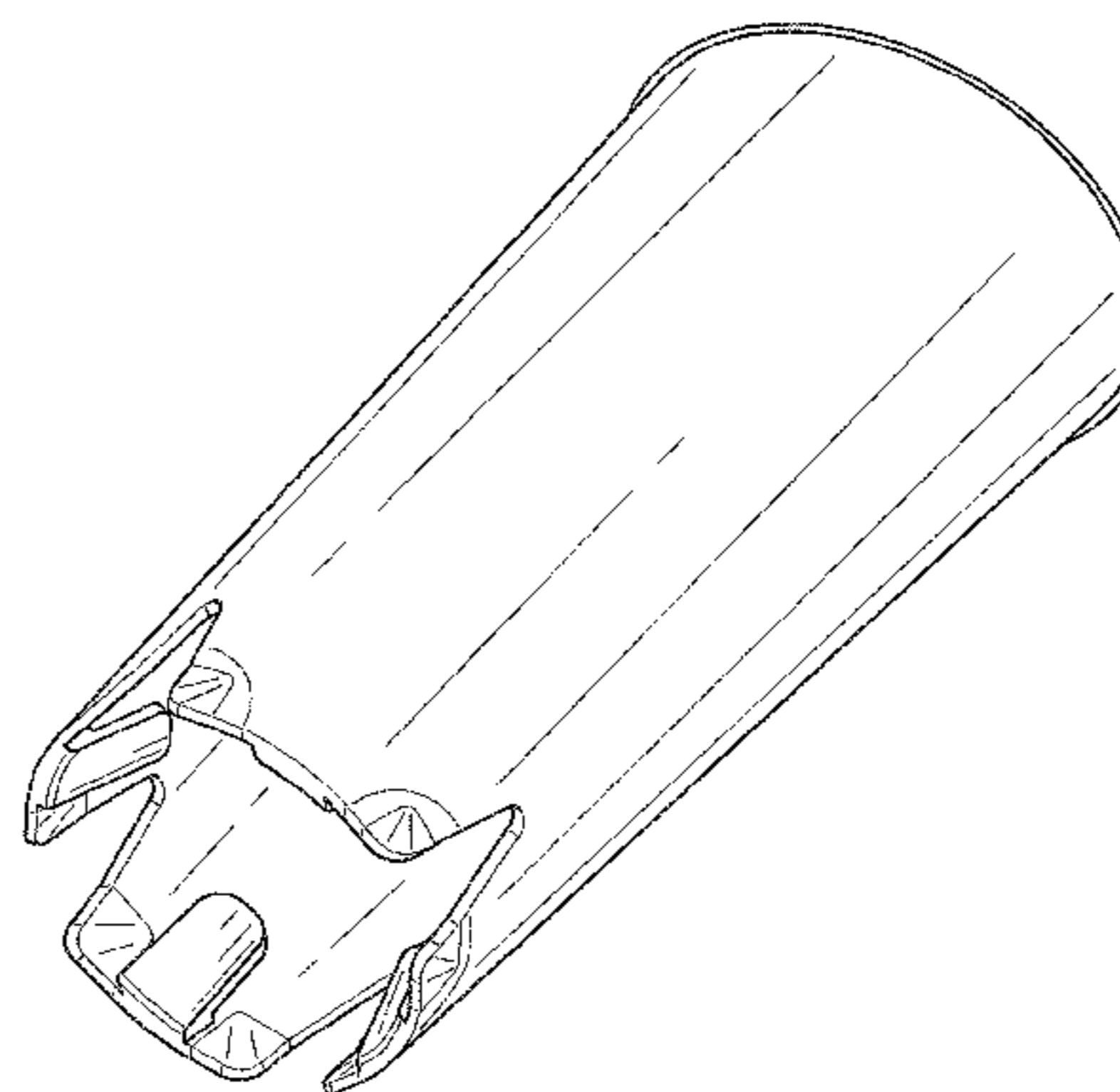
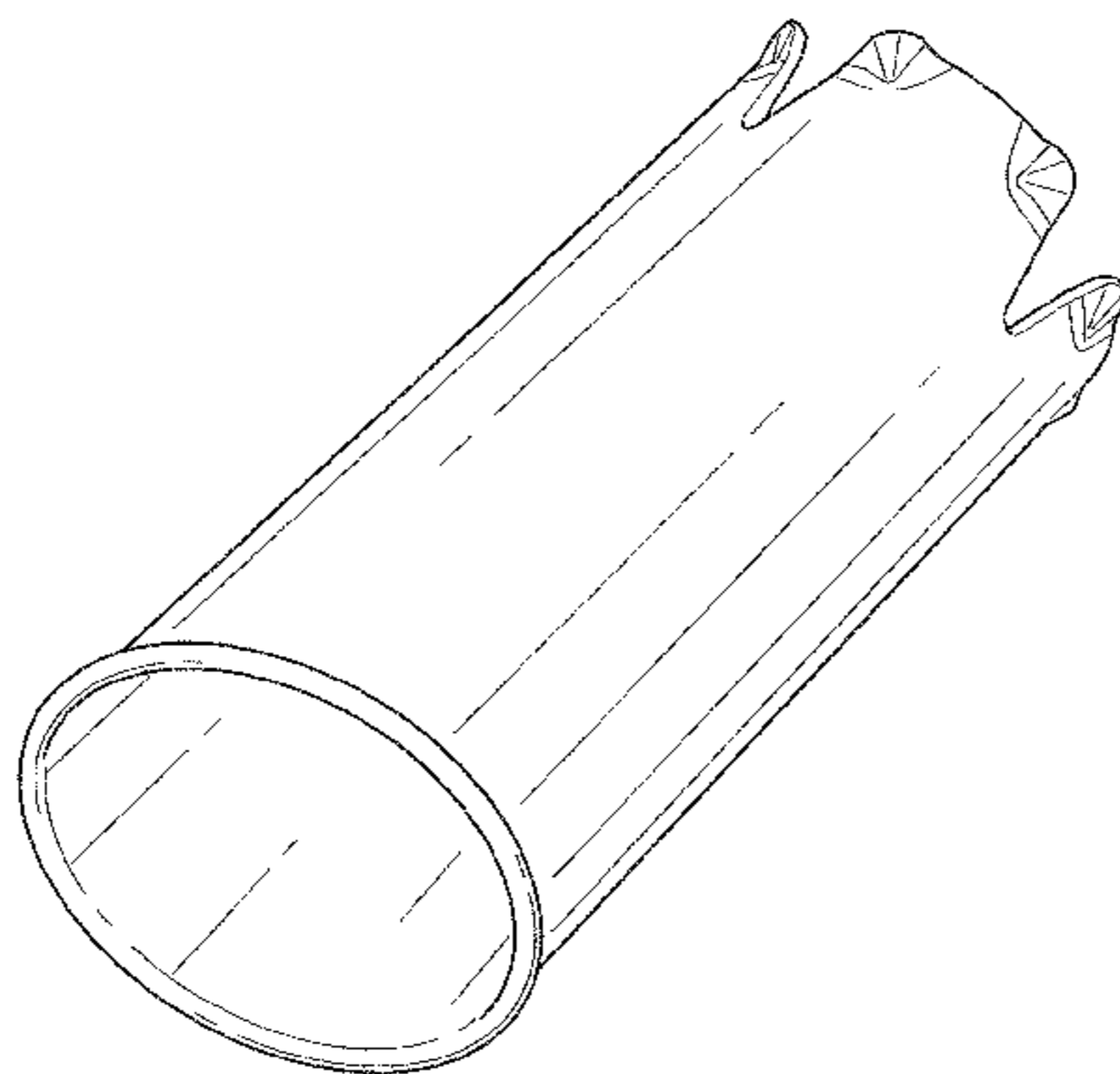
(57) **CLAIM**

The ornamental design for an inhaler mouthpiece, as shown and described.

DESCRIPTION

FIG. 1 is a right front perspective view of an inhaler mouthpiece;
 FIG. 2 is a right rear perspective view of the inhaler mouthpiece of FIG. 1;
 FIG. 3 is a top plan view of the inhaler mouthpiece of FIG. 1;
 FIG. 4 is a bottom plan view of the inhaler mouthpiece of FIG. 1;
 FIG. 5 is a right side elevational view of the inhaler mouthpiece of FIG. 1;
 FIG. 6 is a left side elevational view of the inhaler mouthpiece of FIG. 1;
 FIG. 7 is a front elevational view of the inhaler mouthpiece of FIG. 1; and,
 FIG. 8 is a rear elevational view of the inhaler mouthpiece of FIG. 1.

1 Claim, 4 Drawing Sheets



(56)

References Cited

U.S. PATENT DOCUMENTS

6,039,042	A *	3/2000	Sladek	A61M 15/0086	128/200.23
D441,069	S *	4/2001	Hammarlund	D24/110	
D442,685	S *	5/2001	Sladek	D24/110	
6,293,279	B1 *	9/2001	Schmidt	A61M 15/0086	128/200.18
6,345,617	B1 *	2/2002	Engelbreth	A61M 15/0086	128/200.18
6,435,176	B1 *	8/2002	Berg	A61M 15/0086	128/200.14
D463,544	S *	9/2002	Engelbreth	D24/110	
D476,413	S *	6/2003	Pearce, Jr.	D24/110	
D480,138	S *	9/2003	Engelbreth	D24/110	
D480,806	S *	10/2003	Engelbreth	D24/110	
6,679,252	B2	1/2004	Sladek			
6,962,152	B1	11/2005	Sladek			
7,178,518	B2	2/2007	Watt et al.			
D574,951	S *	8/2008	Reusch	D24/108	
7,418,962	B1 *	9/2008	Rao	A61M 15/0086	128/200.14
D583,929	S *	12/2008	Reusch	D24/108	
D697,200	S *	1/2014	Mahaffy	D24/110	
2002/0029779	A1 *	3/2002	Schmidt	A61M 15/0086	128/205.25
2002/0121276	A1 *	9/2002	Genova	A61M 15/0086	128/200.23
2003/0197068	A1 *	10/2003	Abate	A61M 11/06	239/338
2005/0081845	A1 *	4/2005	Barney	A61M 15/0028	128/200.16
2005/0126561	A1 *	6/2005	Grychowski	A61M 15/0086	128/200.23
2006/0169280	A1	8/2006	Yama et al.			
2008/0078383	A1 *	4/2008	Richards	A61M 16/08	128/203.12
2009/0071470	A1 *	3/2009	Abrams	A61M 11/02	128/200.22
2009/0071473	A1 *	3/2009	Abrams	A61M 11/02	128/203.12
2009/0151716	A1 *	6/2009	Abrams	A61M 11/02	128/200.14
2009/0308390	A1	12/2009	Smutney et al.			
2010/0269818	A1 *	10/2010	Abrams	A61M 11/02	128/200.21
2011/0180067	A1 *	7/2011	Avni	A61M 11/02	128/203.12
2011/0226242	A1 *	9/2011	Von Hollen	A61M 15/009	128/203.12
2011/0232636	A1 *	9/2011	Von Hollen	A61M 15/0086	128/202.13
2011/0283996	A1 *	11/2011	Abrams	A61M 11/02	128/200.21
2012/0042874	A1	2/2012	Gallem et al.			
2012/0160241	A1 *	6/2012	Oliva	A61M 15/0028	128/203.15
2013/0233313	A1 *	9/2013	Young	A61M 15/0028	128/203.15
2013/0276781	A1 *	10/2013	Steelman	A61M 15/0086	128/203.12
2014/0096770	A1	4/2014	Neff et al.			
2014/0116426	A1 *	5/2014	Mullinger	A61M 11/005	128/200.14

OTHER PUBLICATIONS

Nikander, et al., "The Evolution of Spacers and Valved Holding Chambers", Journal of Aerosol Medicine and Pulmonary Drug Delivery, vol. 27, Supp. 1, (2014).

* cited by examiner

FIG. 1

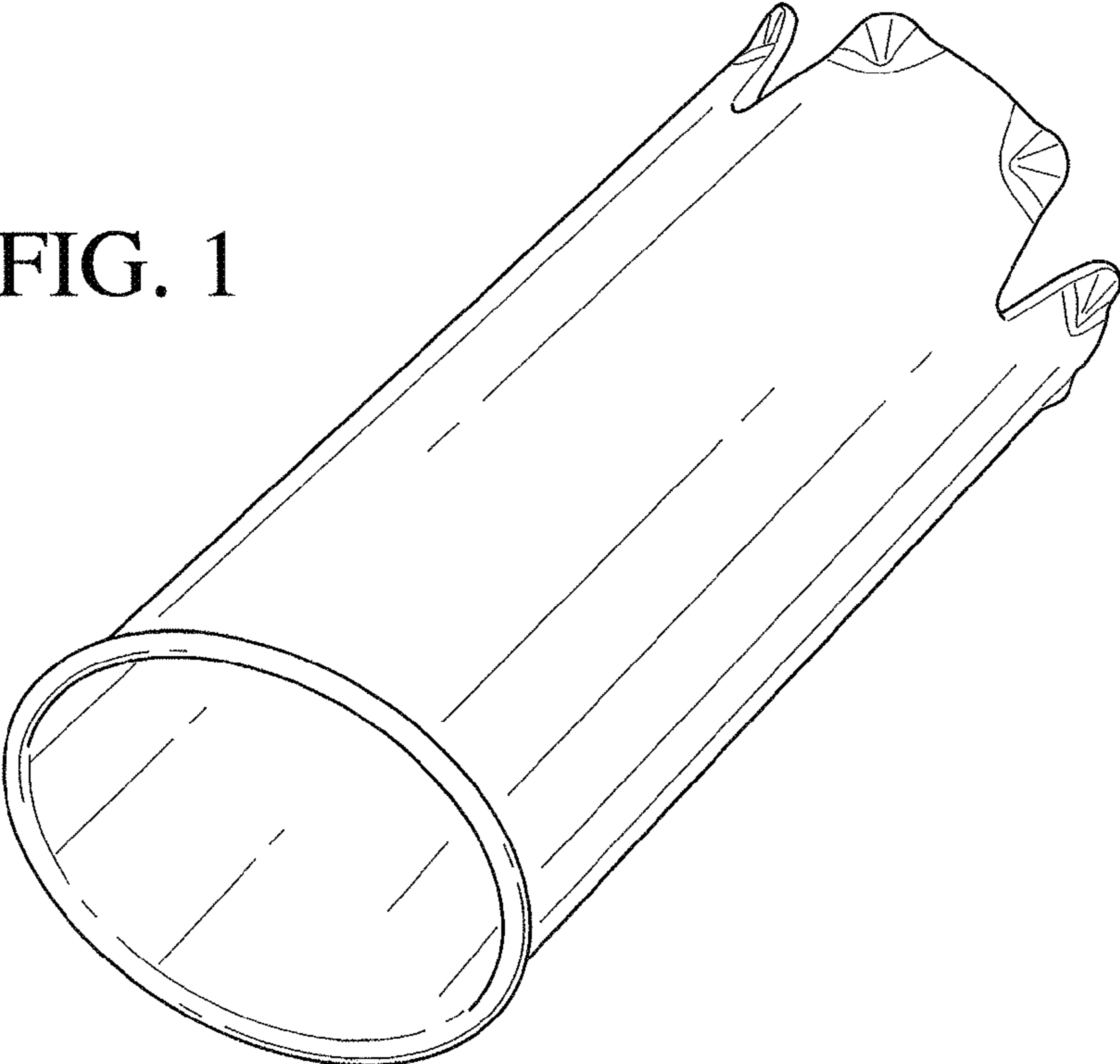
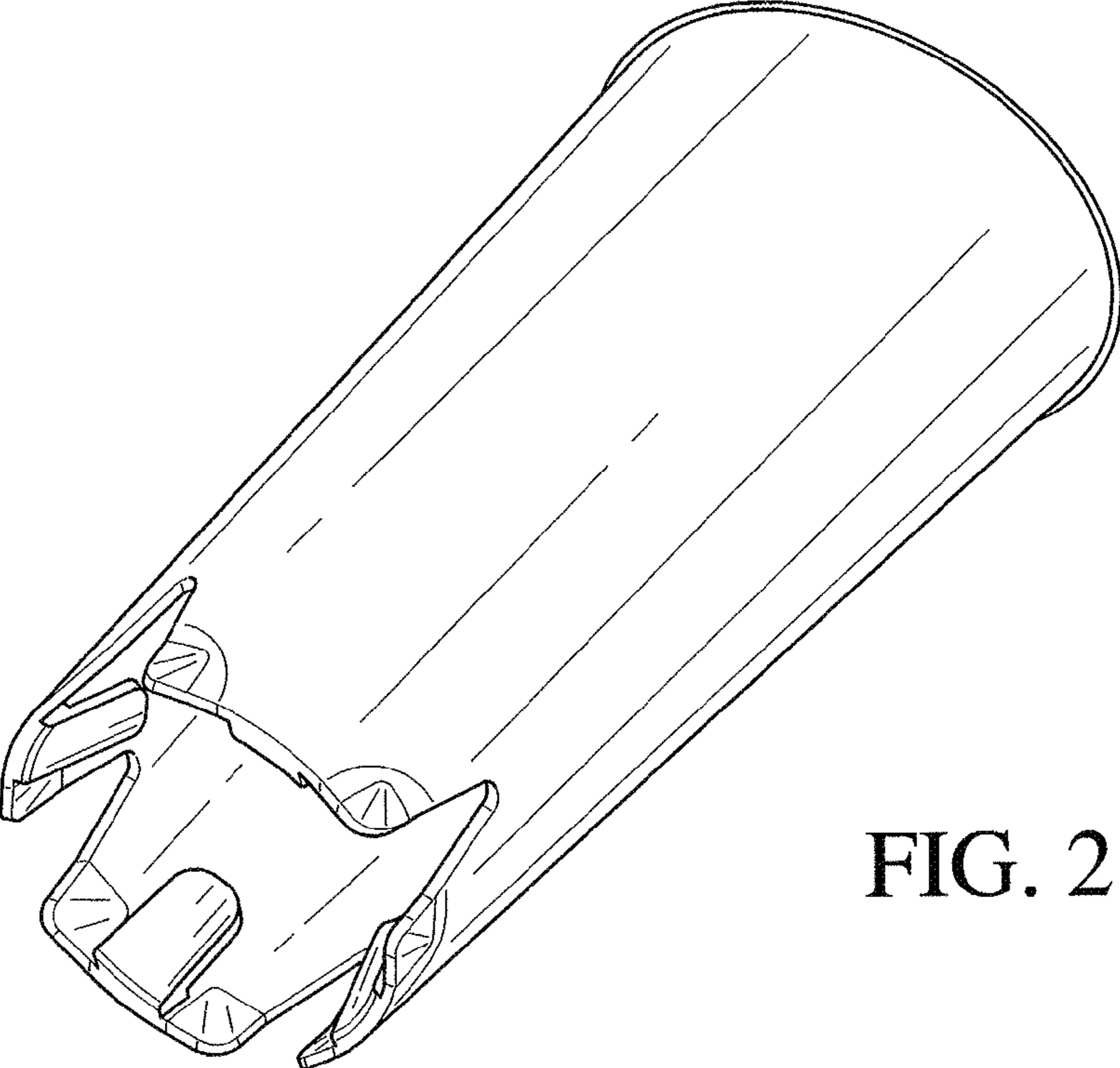


FIG. 2



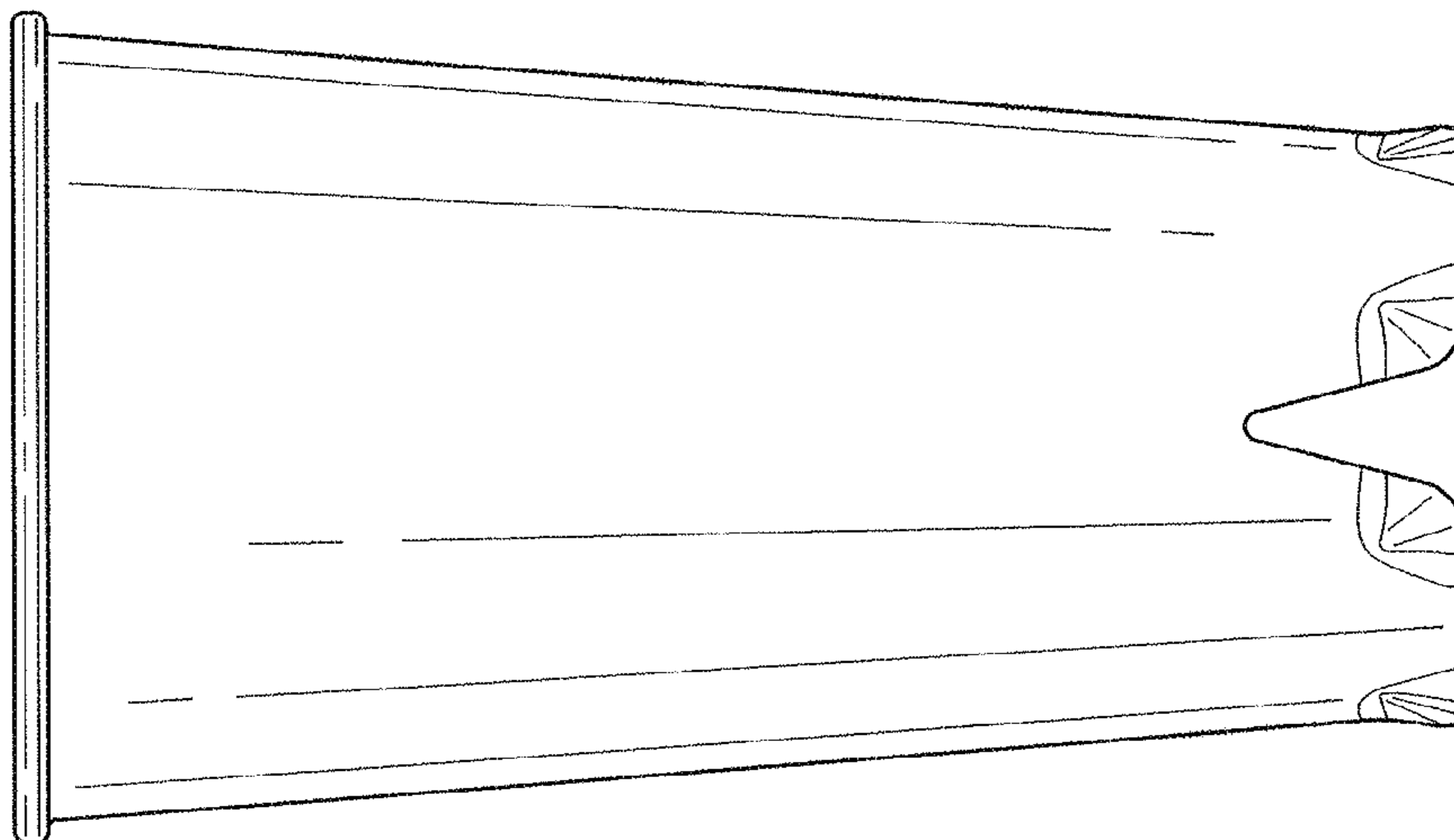


FIG. 3

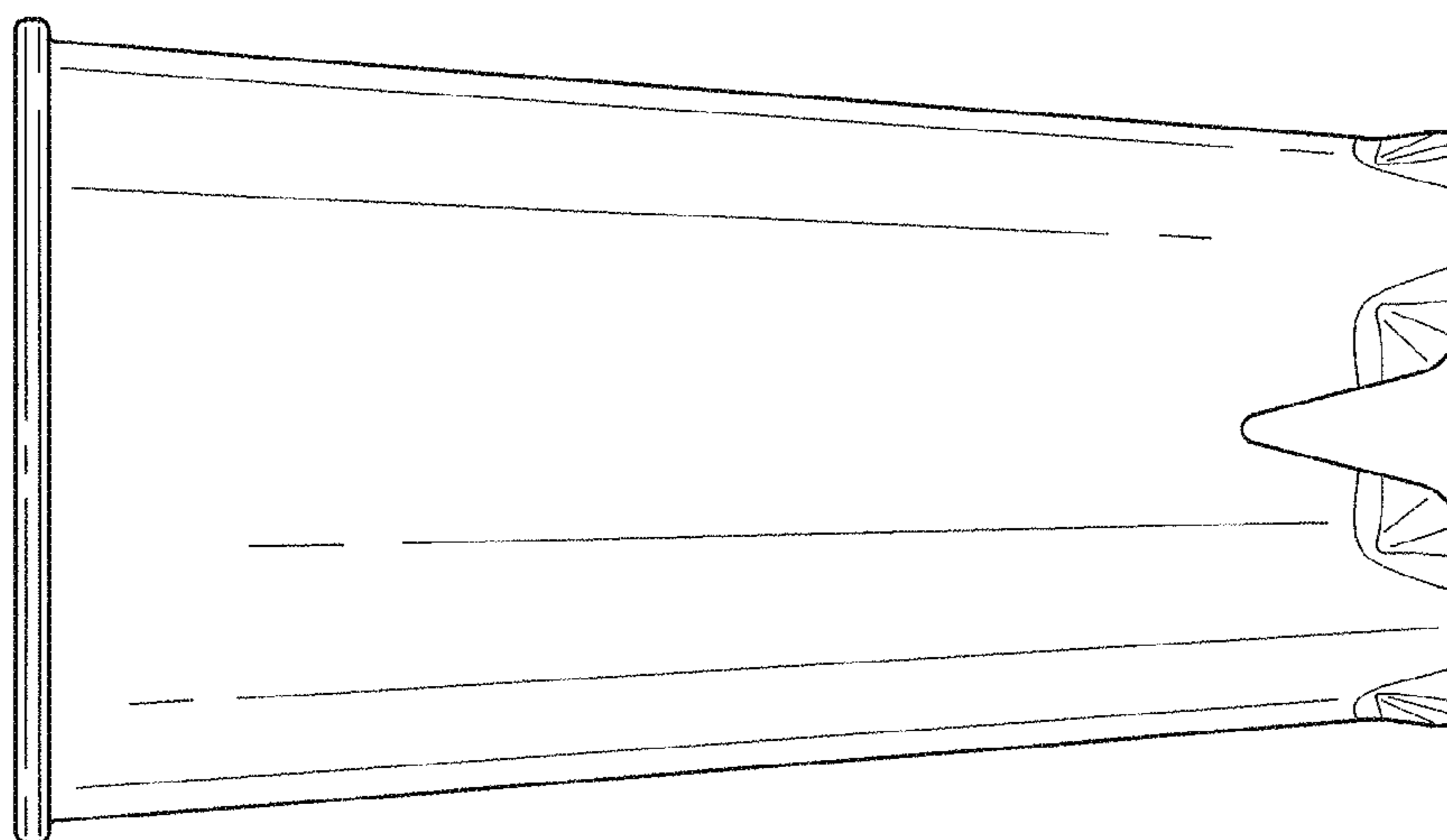


FIG. 4

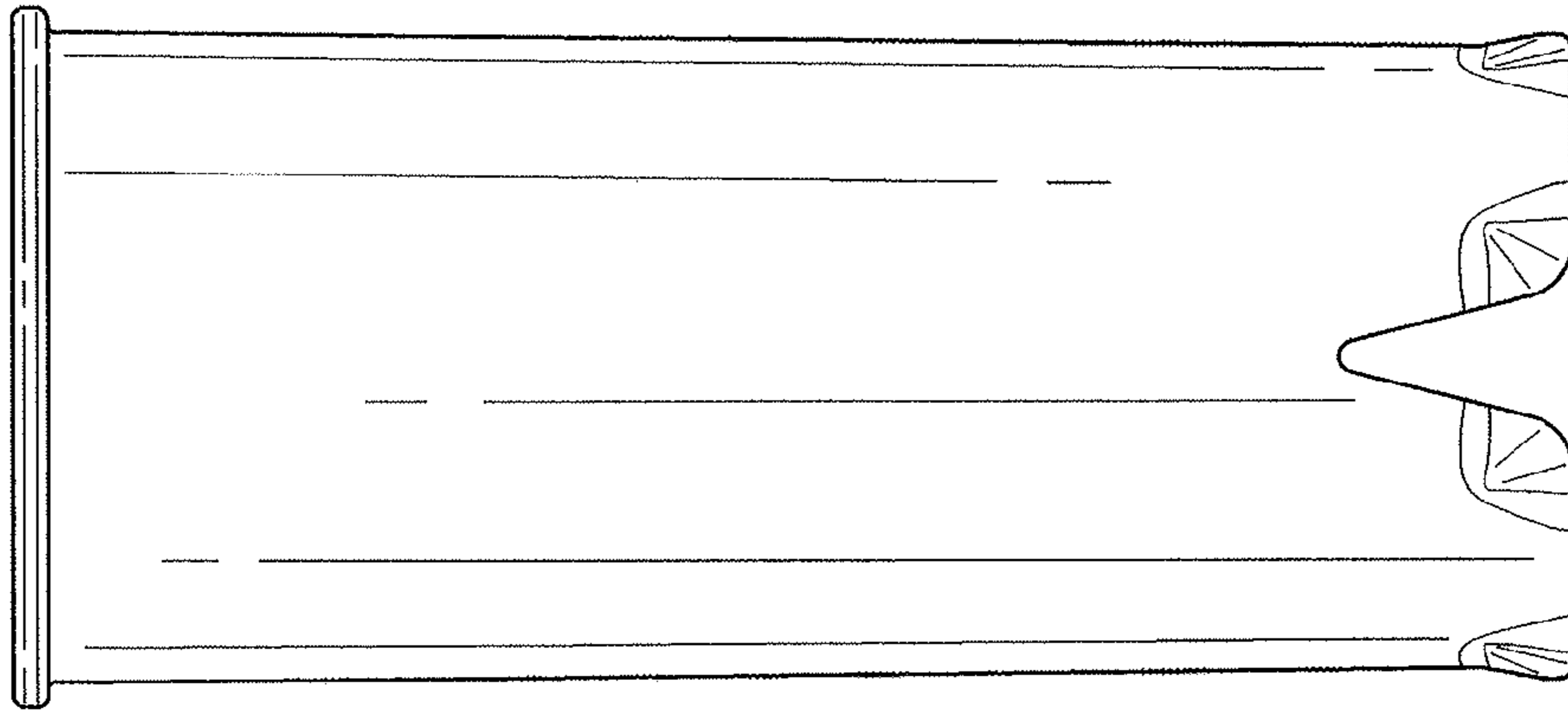


FIG. 5

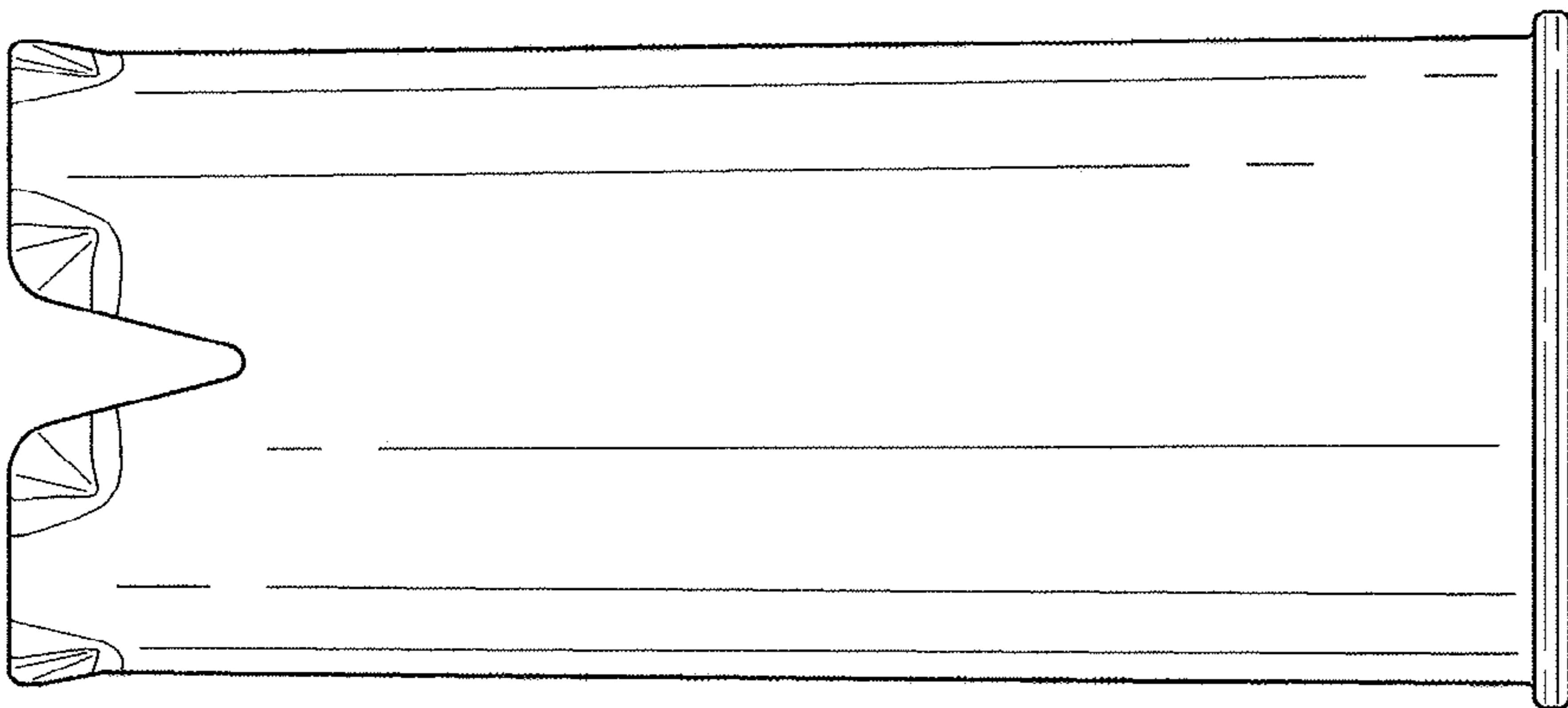


FIG. 6

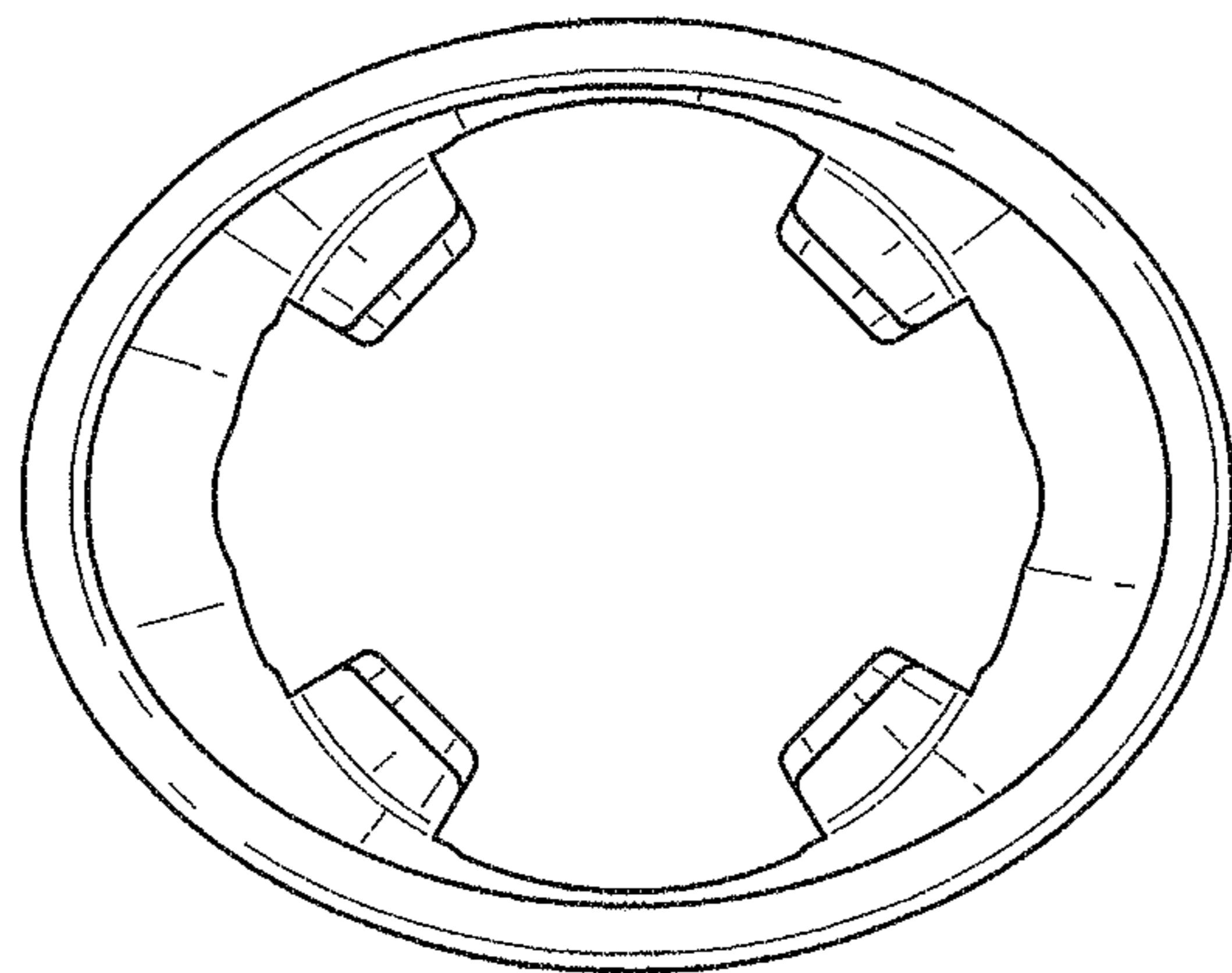


FIG. 7

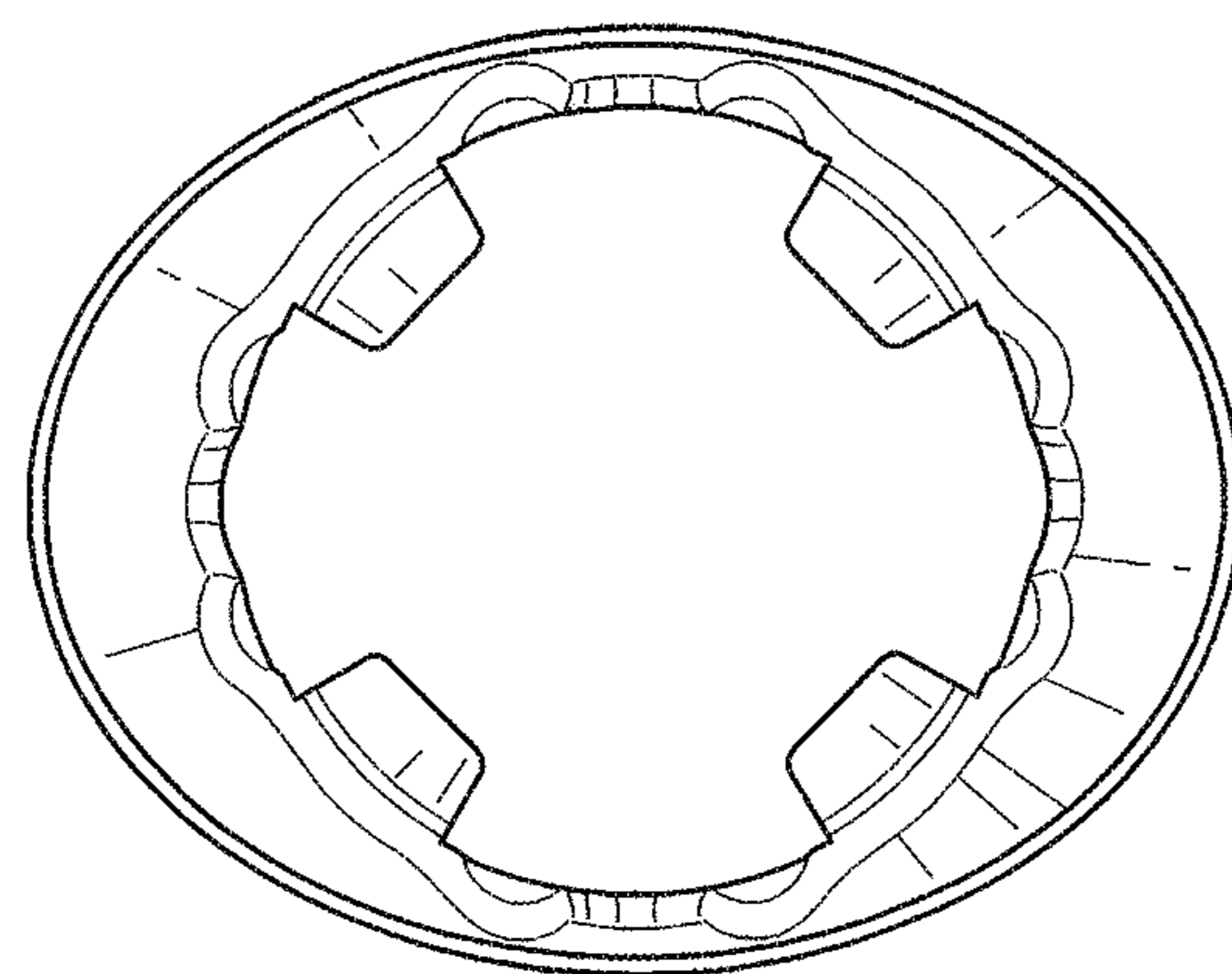


FIG. 8