



US00D748240S

(12) **United States Design Patent**
Goode

(10) **Patent No.:** **US D748,240 S**

(45) **Date of Patent:** **** Jan. 26, 2016**

(54) **ORAL DELIVERY PRODUCT**

- (71) Applicant: **Pfizer Inc.**, New York, NY (US)
- (72) Inventor: **Michael A. Goode**, Powhatan, VA (US)
- (73) Assignee: **Pfizer Inc.**, New York, NY (US)
- (**) Term: **14 Years**

(21) Appl. No.: **29/506,871**

(22) Filed: **Oct. 21, 2014**

(51) **LOC (10) Cl.** **24-01**

(52) **U.S. Cl.**
USPC **D24/101**

(58) **Field of Classification Search**
 USPC D24/100-104; D1/100, 106, 127, 115
 CPC A61K 9/20; A61K 9/209; A61K 9/2077;
 A61K 9/5078; A61K 9/2081; A61K 9/4891;
 A61K 9/167; A61K 8/11

See application file for complete search history.

(56) **References Cited**

U.S. PATENT DOCUMENTS

D284,114 S *	6/1986	Robson	D24/102
D284,115 S *	6/1986	Robson	D24/102
D286,450 S *	10/1986	Tovey	D24/101
D334,420 S *	3/1993	Gladfelter	D23/207
D449,881 S *	10/2001	Mock, Sr.	D24/101
D508,992 S *	8/2005	Kahler	D24/102
D510,173 S *	10/2005	Richey	D1/127
D510,174 S *	10/2005	Richey	D1/127
D685,436 S *	7/2013	Menting	D21/386

* cited by examiner

Primary Examiner — Susan Bennett Hattan

Assistant Examiner — Charles Hanson

(74) *Attorney, Agent, or Firm* — Maureen P. O'Brien

(57) **CLAIM**

The ornamental design for an oral delivery product, as shown and described.

DESCRIPTION

FIG. 1 is a perspective view of the oral delivery product showing our new design;
 FIG. 2 is a top view thereof;
 FIG. 3 is a side view thereof; and,
 FIG. 4 is a front edge thereof.

1 Claim, 2 Drawing Sheets

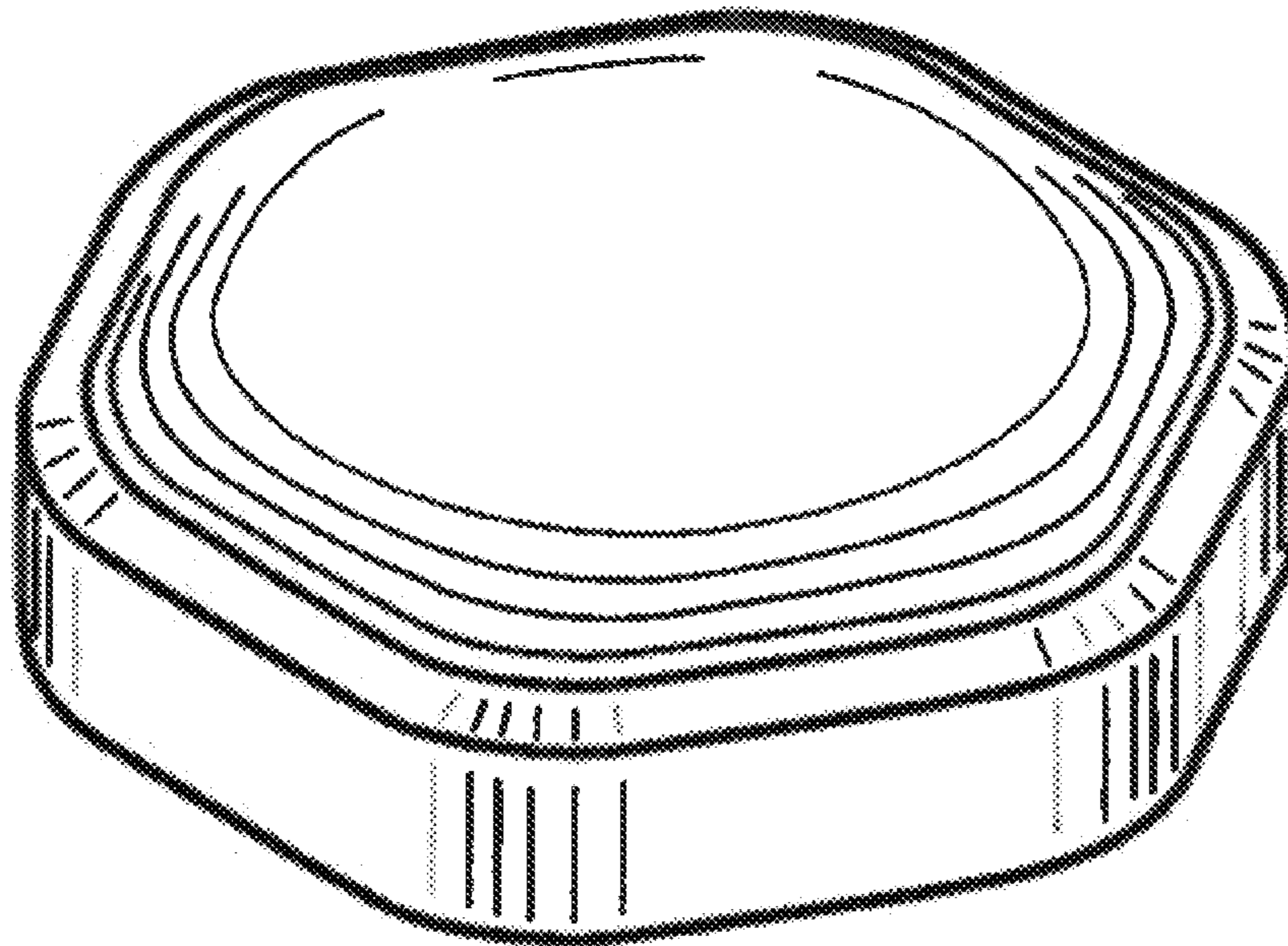


FIG. 1

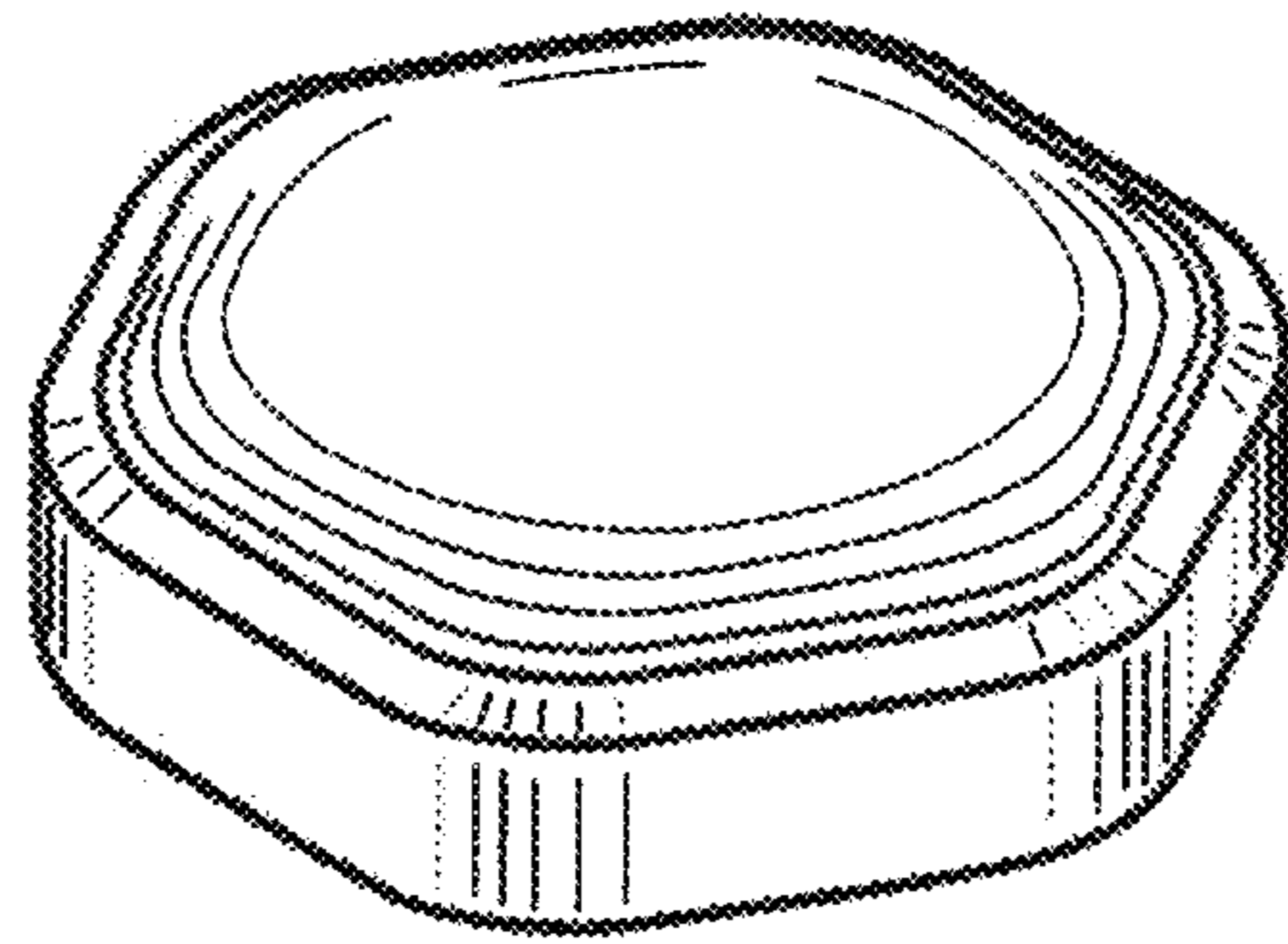


FIG. 2

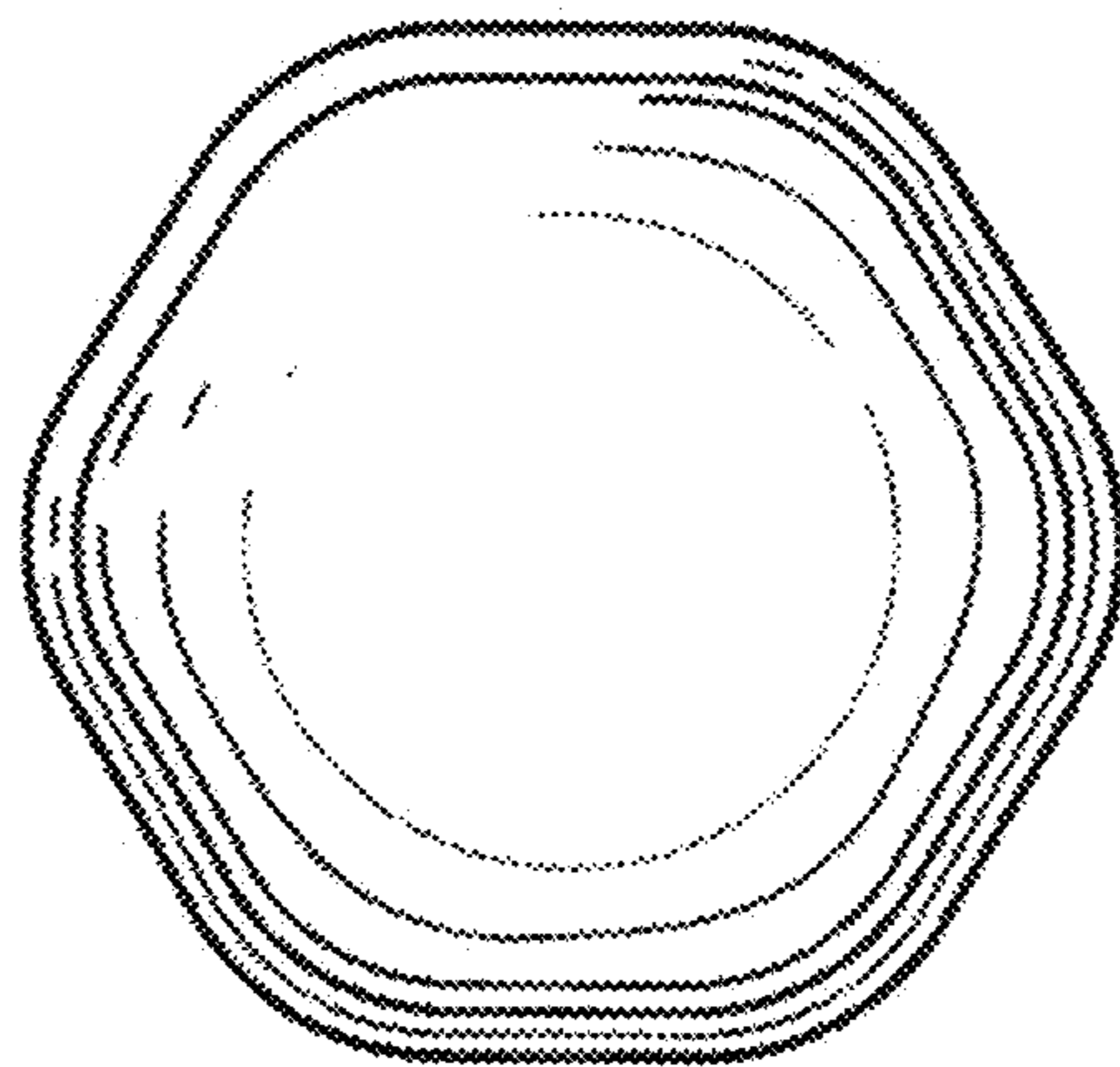


FIG. 3

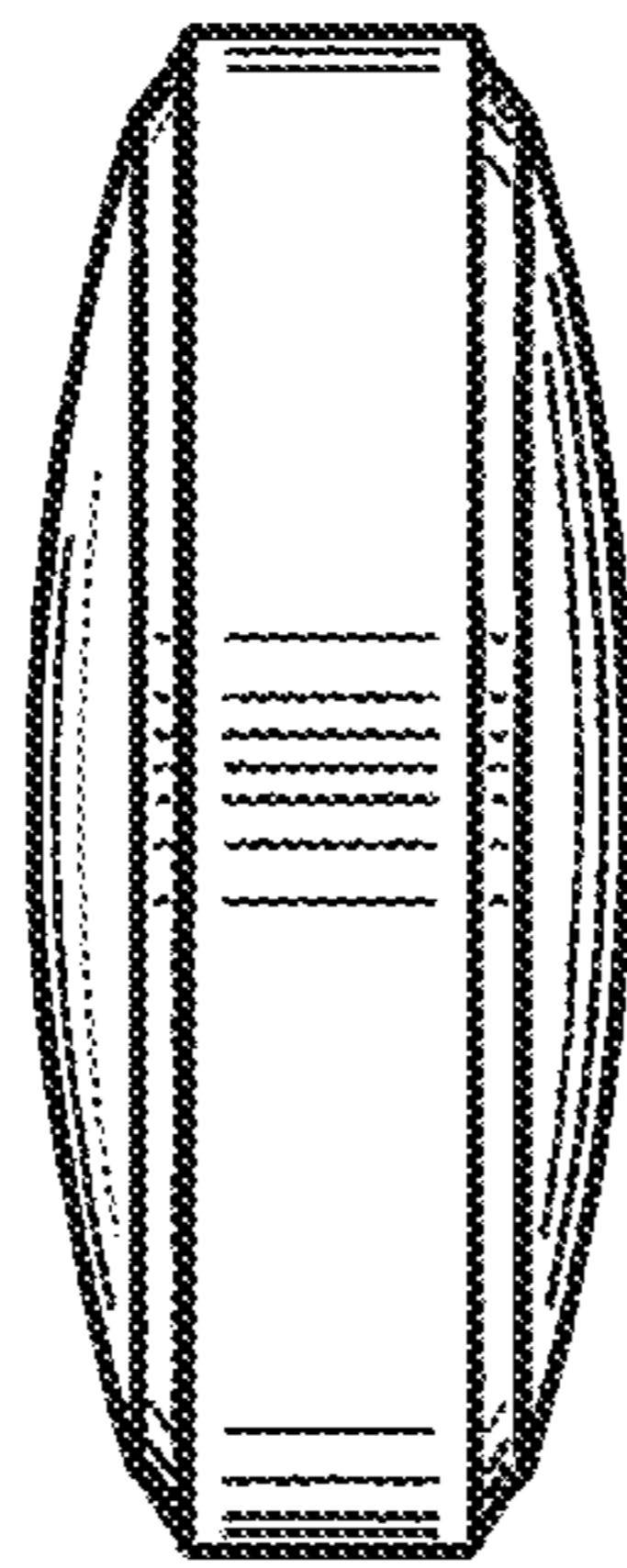


FIG. 4

