

US00D748239S

(12) **United States Design Patent**
Daniels

(10) **Patent No.:** **US D748,239 S**
(45) **Date of Patent:** **** Jan. 26, 2016**

(54) **ROOF VENT ASSEMBLY**

- (71) Applicant: **Gregory S. Daniels**, Santa Rosa, CA (US)
- (72) Inventor: **Gregory S. Daniels**, Santa Rosa, CA (US)
- (**) Term: **14 Years**
- (21) Appl. No.: **29/500,928**
- (22) Filed: **Aug. 29, 2014**

Related U.S. Application Data

- (63) Continuation-in-part of application No. 29/484,168, filed on Mar. 6, 2014.
- (51) **LOC (10) Cl.** **23-04**
- (52) **U.S. Cl.**
USPC **D23/373**

(58) **Field of Classification Search**

USPC D23/370-376, 349, 353-364, 386-393, D23/411, 499; D26/59, 72, 118; D14/230; 454/185, 341, 365, 366, 368, 184, 454/198-211, 242-244, 248, 250-253, 454/275-277, 284, 287-289, 309; 165/244; 422/120; 55/471; D13/102, 156; D25/143; 52/95, 173.3
CPC E04D 1/36; E04D 1/30; E04D 13/00; E04D 13/008; E04D 13/17; E04D 13/174; E04D 13/176; E04D 13/178; F24F 7/025; F24F 11/0001; F24F 11/001; F24F 11/0012; F24F 7/02; F24J 2/4609; F24J 2/5247; H02S 20/23; H02S 20/25
See application file for complete search history.

(56) **References Cited**

U.S. PATENT DOCUMENTS

D30,059 S * 1/1899 Tracy D23/387
2,299,317 A 10/1942 Fink

(Continued)

FOREIGN PATENT DOCUMENTS

DE 28 04 301 2/1979
DE 198 23 356 11/1999

(Continued)

OTHER PUBLICATIONS

Roof Vents. (1/8-Designs-© Questel). orbit.com [online PDF] 27 pages. Uploaded 2014 [retrieved on Feb. 12, 2015]. Retrieved from Internet: <<http://sobjprd.questel.fr/export/QPTUJ214/pdf2/5f7850ea-f617-4548-bc47-08c3edb41ca0-222833.pdf>>.*

(Continued)

Primary Examiner — Susan Bennett Hattan

Assistant Examiner — Marie Fast Horse

(74) *Attorney, Agent, or Firm* — Knobbe Martens Olson & Bear LLP

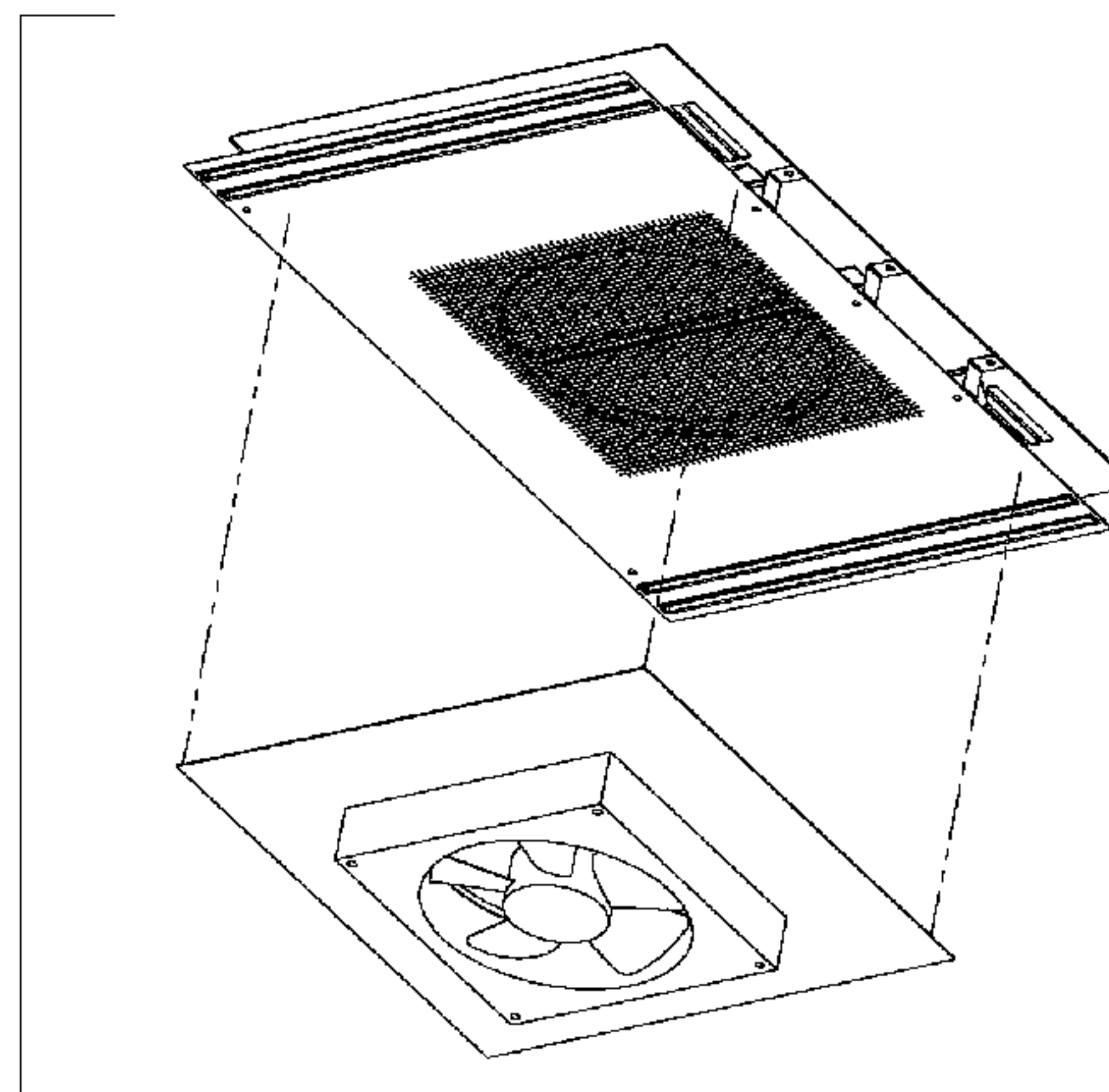
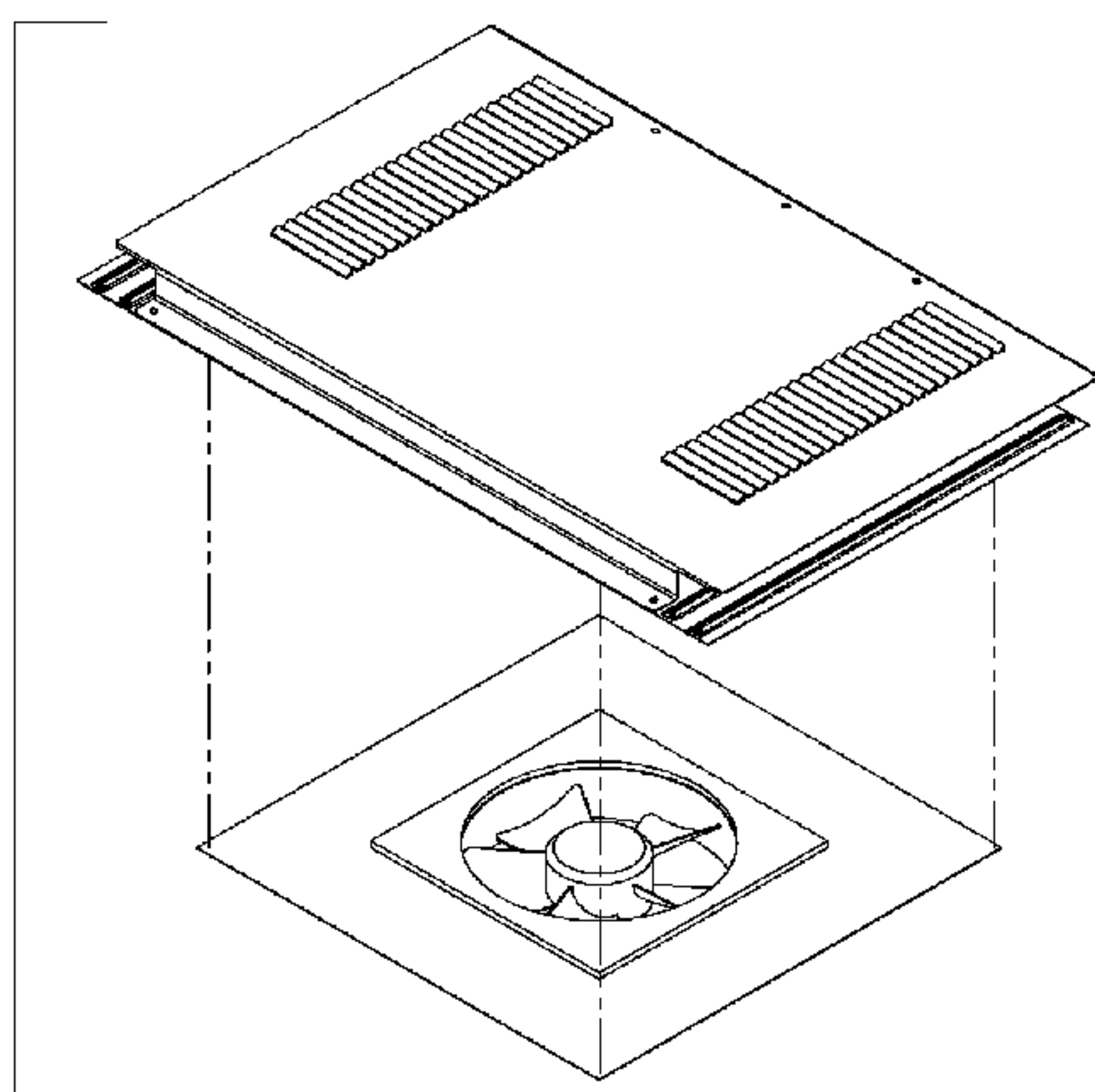
(57) **CLAIM**

I claim the ornamental design for roof vent assembly, as shown and described.

DESCRIPTION

FIG. 1 is a top view of a roof vent assembly; FIG. 2 is a bottom view of the roof vent assembly of FIG. 1; FIG. 3 is a front view of the roof vent assembly of FIG. 1; FIG. 4 is a rear view of the roof vent assembly of FIG. 1; FIG. 5 is a left side view of the roof vent assembly of FIG. 1, with the right side view being a mirror image of FIG. 5; FIG. 6 is a left side view of the roof vent assembly of FIG. 1 showing a lower vent member laterally displaced relative to an upper vent member, with the right side view being a mirror image of FIG. 6; FIG. 7 is a top exploded perspective view of the roof vent assembly of FIG. 1 showing a lower vent member with an integrated fan; FIG. 8 is a top exploded perspective view of the roof vent assembly of FIG. 1 with a solar panel, and a lower vent member with an integrated fan and an upper fan screen; FIG. 9 is a bottom exploded perspective view of the roof vent assembly of FIG. 1 showing a lower vent member with an integrated fan; and, FIG. 10 is a bottom exploded perspective view of the roof vent assembly of FIG. 1 showing a lower vent member with an integrated fan and a lower fan screen.

1 Claim, 8 Drawing Sheets



(56)

References Cited

U.S. PATENT DOCUMENTS

D134,477	S *	12/1942	Leslie	D23/373	5,238,519	A	8/1993	Nath et al.	
2,551,223	A *	5/1951	Schneider	454/366	5,273,608	A	12/1993	Nath	
2,638,835	A	5/1953	Strawsine			5,296,043	A	3/1994	Kawakami et al.	
2,692,548	A *	10/1954	Knorr	454/366	5,316,592	A	5/1994	Dinwoodie	
2,733,649	A	2/1956	Le Barron			5,326,318	A *	7/1994	Rotter 454/365
3,027,090	A	3/1962	Zerhan, Jr.			5,333,783	A	8/1994	Catan	
3,083,633	A *	4/1963	Hochberg	454/366	5,364,026	A	11/1994	Kundert	
D204,715	S *	5/1966	Martin	D23/357	5,385,848	A	1/1995	Grimmer	
3,376,164	A	4/1968	Bachwansky			5,391,235	A	2/1995	Inoue	
3,459,597	A	8/1969	Baron			5,409,549	A	4/1995	Mori	
D215,940	S *	11/1969	Kahn	D14/230	5,419,781	A	5/1995	Hamakawa et al.	
D217,610	S *	5/1970	Stoop	D23/357	5,437,735	A	8/1995	Younan et al.	
3,553,030	A	1/1971	Lebrun			5,480,494	A	1/1996	Inoue	
3,658,596	A	4/1972	Osborne			5,486,238	A	1/1996	Nakagawa et al.	
3,769,091	A	10/1973	Leinkram et al.			5,505,788	A	4/1996	Dinwoodie	
3,888,697	A	6/1975	Bogus et al.			5,528,229	A	6/1996	Mehta	
3,895,467	A *	7/1975	Clement	52/199	5,549,513	A	8/1996	Thomas et al.	
3,951,336	A	4/1976	Miller et al.			5,575,861	A	11/1996	Younan et al.	
4,040,867	A	8/1977	Forestieri et al.			5,591,080	A *	1/1997	Ward 454/359
4,051,999	A	10/1977	Granger et al.			5,602,457	A	2/1997	Anderson et al.	
D247,510	S *	3/1978	Kujawa, Jr.	D23/373	5,620,368	A	4/1997	Bates et al.	
4,083,097	A	4/1978	Anagnostou et al.			5,620,368	A	4/1997	Bates et al.	
4,097,308	A	6/1978	Klein et al.			5,636,481	A *	6/1997	De Zen 52/95
4,189,881	A	2/1980	Hawley			D380,823	S *	7/1997	LaZar D23/372
D254,442	S *	3/1980	Cervone	D23/364	5,651,226	A	7/1997	Archibald	
4,201,121	A	5/1980	Brandenburg, Jr.			5,672,101	A	9/1997	Thomas	
4,224,081	A	9/1980	Kawanura et al.			5,697,192	A	12/1997	Inoue	
4,228,729	A	10/1980	Messick			5,697,842	A *	12/1997	Donnelly 454/365
4,239,555	A	12/1980	Scharkack et al.			5,706,617	A	1/1998	Hirai et al.	
4,251,026	A	2/1981	Siegel et al.			5,722,887	A	3/1998	Wolfson et al.	
D259,138	S *	5/1981	Giles	D23/373	5,738,581	A *	4/1998	Rickert et al. 454/365
D261,803	S	11/1981	Bohanon, Jr.			5,740,636	A	4/1998	Archard	
4,314,548	A	2/1982	Hanson			5,746,653	A	5/1998	Palmer et al.	
4,382,435	A	5/1983	Brill-Edwards			5,746,839	A	5/1998	Dinwoodie	
4,383,129	A	5/1983	Gupta et al.			5,766,071	A *	6/1998	Kirkwood 454/185
4,404,958	A	9/1983	Boettcher			D397,431	S *	8/1998	Meyer D23/393
4,418,685	A	12/1983	Frazier			5,800,631	A	9/1998	Yamada et al.	
4,432,273	A	2/1984	Devitt			D403,755	S *	1/1999	Liang D23/370
4,433,200	A	2/1984	Jester et al.			5,879,232	A	3/1999	Luter, II et al.	
D276,261	S *	11/1984	Shaftner	D23/386	D408,514	S *	4/1999	Hornig D23/370
4,485,264	A	11/1984	Izu et al.			5,890,322	A	4/1999	Fears	
4,498,267	A *	2/1985	Beck	52/555	D409,741	S *	5/1999	Yuen-Ming D23/370
4,510,851	A	4/1985	Sarnosky et al.			5,968,287	A	10/1999	Nath	
4,574,160	A	3/1986	Cull et al.			5,990,414	A	11/1999	Posnansky	
4,594,940	A	6/1986	Wolbrink et al.			6,005,236	A	12/1999	Phelan et al.	
4,602,739	A	7/1986	Sutton, Jr.			6,008,450	A	12/1999	Ohtsuka et al.	
D285,829	S	9/1986	Lock			6,036,102	A	3/2000	Pearson	
4,625,469	A	12/1986	Gentry et al.			6,050,039	A *	4/2000	O'Hagin 52/302.1
4,633,769	A	1/1987	Milks			6,051,774	A	4/2000	Yoshida et al.	
4,651,805	A	3/1987	Bergeron, Jr.			D424,672	S *	5/2000	Nanjo D23/353
4,677,903	A	7/1987	Mathews, III			6,061,977	A	5/2000	Toyama et al.	
4,692,557	A	9/1987	Samuelson et al.			6,061,978	A	5/2000	Dinwoodie et al.	
4,759,272	A	7/1988	Zaniewski			6,077,159	A	6/2000	Clayton	
4,803,816	A	2/1989	Klober			6,105,317	A	8/2000	Tomiuchi et al.	
4,843,794	A	7/1989	Holtgreve			6,129,628	A *	10/2000	O'Hagin et al. 454/366
4,850,166	A	7/1989	Taylor			6,155,006	A	12/2000	Mimura et al.	
4,860,509	A	8/1989	Laaly et al.			6,220,956	B1	4/2001	Kilian et al.	
4,965,971	A	10/1990	Jean-Jacques et al.			D442,273	S *	5/2001	Pestell D23/393
4,977,818	A	12/1990	Taylor et al.			6,241,602	B1	6/2001	Allen	
4,986,469	A	1/1991	Sutton, Jr.			6,242,685	B1	6/2001	Mizukami et al.	
5,048,255	A	9/1991	Gonzales			6,243,995	B1	6/2001	Reeves et al.	
5,049,801	A	9/1991	Potter			6,294,724	B1	9/2001	Sasaoka et al.	
5,060,444	A	10/1991	Paquette			6,306,030	B1	10/2001	Wilson	
5,070,771	A *	12/1991	Mankowski	454/275	6,311,436	B1	11/2001	Mimura et al.	
5,078,047	A *	1/1992	Wimberly	454/368	6,336,304	B1	1/2002	Mimura et al.	
5,092,939	A	3/1992	Nath et al.			6,340,403	B1	1/2002	Carey et al.	
5,094,697	A	3/1992	Takabayashi et al.			6,365,824	B1	4/2002	Nakazima et al.	
5,121,583	A	6/1992	Hirai et al.			6,380,477	B1	4/2002	Curtin	
5,131,200	A	7/1992	McKinnon			D457,234	S *	5/2002	O'Hagin et al. D23/393
5,131,888	A	7/1992	Adkins, II			D458,391	S	6/2002	O'Hagin et al.	
5,133,810	A	7/1992	Morizane et al.			D458,392	S	6/2002	O'Hagin et al.	
D332,139	S *	12/1992	Courchesne	D23/385	6,415,559	B1	7/2002	Reeves et al.	
5,176,758	A	1/1993	Nath et al.			6,418,678	B2	7/2002	Rotter	
5,228,925	A	7/1993	Nath et al.			6,439,466	B2	8/2002	Fikes	
5,232,518	A	8/1993	Nath et al.			6,447,390	B1 *	9/2002	O'Hagin 454/250
						6,453,629	B1	9/2002	Nakazima et al.	
						6,459,032	B1	10/2002	Luch	
						6,491,579	B1 *	12/2002	O'Hagin 454/250
						6,501,013	B1	12/2002	Dinwoodie	
						6,541,693	B2	4/2003	Takada et al.	

(56)

References Cited

U.S. PATENT DOCUMENTS

6,553,729 B1 4/2003 Nath et al.
 6,606,830 B2 8/2003 Nagao et al.
 D479,885 S * 9/2003 O'Hagin et al. D25/143
 6,695,692 B1 2/2004 York
 6,729,081 B2 5/2004 Nath et al.
 6,730,841 B2 5/2004 Heckeroth
 6,767,762 B2 7/2004 Guha
 6,799,742 B2 10/2004 Nakamura et al.
 D503,156 S * 3/2005 Provenzano D13/156
 6,870,087 B1 3/2005 Gallagher
 D503,790 S * 4/2005 Dodge et al. D23/393
 D504,172 S * 4/2005 O'Hagin D23/393
 6,875,914 B2 4/2005 Guha et al.
 D505,195 S * 5/2005 Snyder D23/393
 6,928,775 B2 8/2005 Banister
 6,941,706 B2 9/2005 Austin et al.
 D512,774 S * 12/2005 O'Hagin et al. D23/393
 D518,158 S * 3/2006 Cho et al. D23/364
 D519,219 S * 4/2006 Dodge et al. D25/143
 D520,149 S * 5/2006 Dodge et al. D25/143
 7,053,294 B2 5/2006 Tuttle et al.
 7,097,557 B2 8/2006 Kutschman
 D527,813 S * 9/2006 Dodge et al. D23/393
 D527,836 S * 9/2006 O'Hagin D25/199
 7,101,279 B2 9/2006 O'Hagin et al.
 D536,778 S * 2/2007 O'Hagin D23/393
 7,176,543 B2 2/2007 Beernink
 7,178,295 B2 2/2007 Dinwoodie
 7,250,000 B2 7/2007 Daniels, II
 D549,316 S * 8/2007 O'Hagin et al. D23/393
 D555,237 S * 11/2007 O'Hagin D23/393
 7,320,774 B2 1/2008 Simmons et al.
 D562,993 S * 2/2008 Shepherd et al. D25/141
 7,365,266 B2 4/2008 Heckeroth
 D578,633 S * 10/2008 Schluter et al. D23/370
 D579,096 S * 10/2008 Guzorek D23/370
 D582,905 S * 12/2008 Takisawa et al. D14/230
 7,469,508 B2 12/2008 Ceria
 7,470,179 B1 12/2008 Ritter et al.
 D588,255 S * 3/2009 Daniels D23/373
 D588,256 S * 3/2009 Daniels D23/373
 D589,134 S * 3/2009 O'Hagin et al. D23/373
 7,497,774 B2 3/2009 Stevenson et al.
 7,506,477 B2 3/2009 Flaherty et al.
 7,507,151 B1 3/2009 Parker et al.
 7,509,775 B2 3/2009 Flaherty et al.
 7,517,465 B2 4/2009 Guha et al.
 7,531,740 B2 5/2009 Flaherty et al.
 7,578,102 B2 8/2009 Banister
 7,587,864 B2 9/2009 McCaskill et al.
 7,618,310 B2 * 11/2009 Daniels 454/366
 7,642,449 B2 1/2010 Korman et al.
 D610,245 S * 2/2010 Daniels D23/373
 D612,040 S * 3/2010 Daniels D23/373
 7,678,990 B2 3/2010 McCaskill et al.
 D618,780 S * 6/2010 Williams, Sr. D23/373
 7,736,940 B2 6/2010 Basol
 7,757,440 B2 * 7/2010 Austin et al. 52/95
 D625,800 S * 10/2010 Daniels D23/373
 7,901,278 B2 * 3/2011 O'Hagin 454/365
 8,079,898 B1 12/2011 Stevenson
 D654,161 S * 2/2012 Holland et al. D23/373
 8,167,216 B2 5/2012 Schultz et al.
 8,292,707 B2 * 10/2012 Grisham et al. 454/260
 8,316,592 B2 * 11/2012 Lanza 52/173.3
 D685,112 S * 6/2013 Henriquez D25/143
 D685,113 S * 6/2013 Henriquez D25/143
 8,479,458 B2 * 7/2013 Morita et al. 52/173.3
 8,535,128 B2 9/2013 Chwala
 D696,392 S * 12/2013 Funnell, II D23/371
 8,607,510 B2 12/2013 Daniels
 8,608,533 B2 12/2013 Daniels
 D702,827 S * 4/2014 Mase et al. D23/370
 D703,305 S * 4/2014 Stollenwerk O'Hagin .. D23/393
 8,701,360 B2 * 4/2014 Ressler 52/173.3

8,740,678 B2 * 6/2014 Railkar et al. 454/341
 8,776,455 B2 * 7/2014 Azoulay 52/173.3
 8,782,967 B2 * 7/2014 Daniels 52/95
 8,793,943 B2 * 8/2014 Daniels 52/198
 D713,953 S * 9/2014 Jepson D23/388
 D719,253 S * 12/2014 Francescon D23/388
 2001/0027804 A1 10/2001 Inoue et al.
 2002/0036010 A1 * 3/2002 Yamawaki et al. 136/251
 2002/0104562 A1 8/2002 Emoto et al.
 2003/0000158 A1 1/2003 Borges
 2003/0159802 A1 8/2003 Steneby et al.
 2004/0031219 A1 2/2004 Banister
 2004/0098932 A1 5/2004 Broatch
 2005/0074915 A1 4/2005 Tuttle et al.
 2005/0127379 A1 6/2005 Nakata
 2005/0130581 A1 * 6/2005 Dodge 454/366
 2005/0144963 A1 7/2005 Peterson et al.
 2005/0176270 A1 8/2005 Luch
 2005/0178429 A1 8/2005 McCaskill et al.
 2005/0191957 A1 * 9/2005 Demetry et al. 454/341
 2005/0233691 A1 * 10/2005 Horton 454/366
 2005/0239393 A1 10/2005 Reese
 2005/0239394 A1 * 10/2005 O'Hagin et al. 454/366
 2005/0263178 A1 12/2005 Montello et al.
 2005/0263179 A1 12/2005 Gaudiana et al.
 2005/0263180 A1 12/2005 Montello et al.
 2005/0274408 A1 12/2005 Li et al.
 2006/0017154 A1 1/2006 Eguchi et al.
 2006/0032527 A1 2/2006 Stevens et al.
 2006/0052047 A1 3/2006 Daniels, II
 2006/0052051 A1 3/2006 Daniels
 2006/0086384 A1 4/2006 Nakata
 2006/0124827 A1 6/2006 Janus et al.
 2006/0223437 A1 * 10/2006 O'Hagin 454/366
 2007/0049190 A1 * 3/2007 Singh 454/365
 2007/0066216 A1 * 3/2007 McIntire 454/365
 2007/0067063 A1 3/2007 Ahmed
 2007/0072541 A1 3/2007 Daniels et al.
 2007/0084501 A1 4/2007 Kalberlah et al.
 2007/0094953 A1 5/2007 Galeazzo et al.
 2007/0207725 A1 9/2007 O'Hagin
 2007/0243820 A1 10/2007 O'Hagin
 2007/0246095 A1 10/2007 Schaefer
 2008/0040990 A1 2/2008 Vendig et al.
 2008/0098672 A1 * 5/2008 O'Hagin et al. 52/173.3
 2008/0220714 A1 9/2008 Caruso et al.
 2008/0287053 A1 * 11/2008 Carlson et al. 454/365
 2008/0287054 A1 * 11/2008 Carlson et al. 454/365
 2008/0299892 A1 * 12/2008 Robinson 454/366
 2009/0203308 A1 * 8/2009 O'Hagin et al. 454/341
 2009/0253368 A1 * 10/2009 Rotter 454/365
 2009/0286463 A1 * 11/2009 Daniels 454/366
 2009/0311959 A1 * 12/2009 Shepherd 454/366
 2010/0064605 A1 * 3/2010 Corvaglia et al. 52/173.3
 2010/0229940 A1 9/2010 Basol
 2010/0287852 A1 * 11/2010 Bortoletto 52/173.3
 2010/0330898 A1 * 12/2010 Daniels 454/365
 2011/0294412 A1 * 12/2011 Vagedes 454/242
 2012/0110924 A1 5/2012 Makin
 2012/0151856 A1 * 6/2012 Azoulay 52/173.3
 2012/0190288 A1 * 7/2012 Willen 454/250
 2012/0322359 A1 * 12/2012 Chen et al. 454/341
 2013/0040553 A1 * 2/2013 Potter 454/341
 2013/0247480 A1 * 9/2013 Ridgway 52/95
 2014/0065944 A1 * 3/2014 Chamness 454/275
 2014/0099878 A1 4/2014 Daniels
 2014/0248834 A1 * 9/2014 Kolt et al. 454/366

FOREIGN PATENT DOCUMENTS

GB 2183819 6/1987
 GB 2279453 1/1995
 GB 2345536 7/2000
 JP 59-060138 4/1984
 JP 06-241517 8/1994
 JP 06-272920 9/1994
 JP 09-158428 6/1997
 JP 10-061133 3/1998
 JP 11-044035 2/1999

(56)

References Cited

FOREIGN PATENT DOCUMENTS

JP	11-229576	8/1999
JP	2000-274032	10/2000
JP	2004-092298	3/2004
JP	2007-534924	11/2007
WO	WO 2005/108708	11/2005

OTHER PUBLICATIONS

Flat-Type Vent. Formfomts.com[online] 1 page. Designed/built 2008 [retrieved on Feb. 12, 2015]. <<https://www.formfomts.com/3D-Model/11030/1/b3020-roof-openings/b3020-roof-openings/b3020-roof-openings/ohagins-concrete-tile-vent-type-flat/>>.*

S-Type Vent. Formfomts.com[online] 1 page. Designed/built 2008 [retrieved on Feb. 12, 2015]. <<http://www.formfomts.com/3D-Model/11032/shell/b30-roofing/b3010-roof-coverings/b3020-roof-openings/ohagins-concrete-tile-vent-type/>>.*

M-Type Vent. Formfomts.com[online] 1 page. Designed/built 2008 [retrieved on Feb. 12, 2015]. <<https://www.formfomts.com/3D-Model/1/11031/1/shell/b30-roofing/b3010-roof-coverings/b3020-roof-openings/ohagins-concrete-tile-vent-type-config/>>.*

* cited by examiner

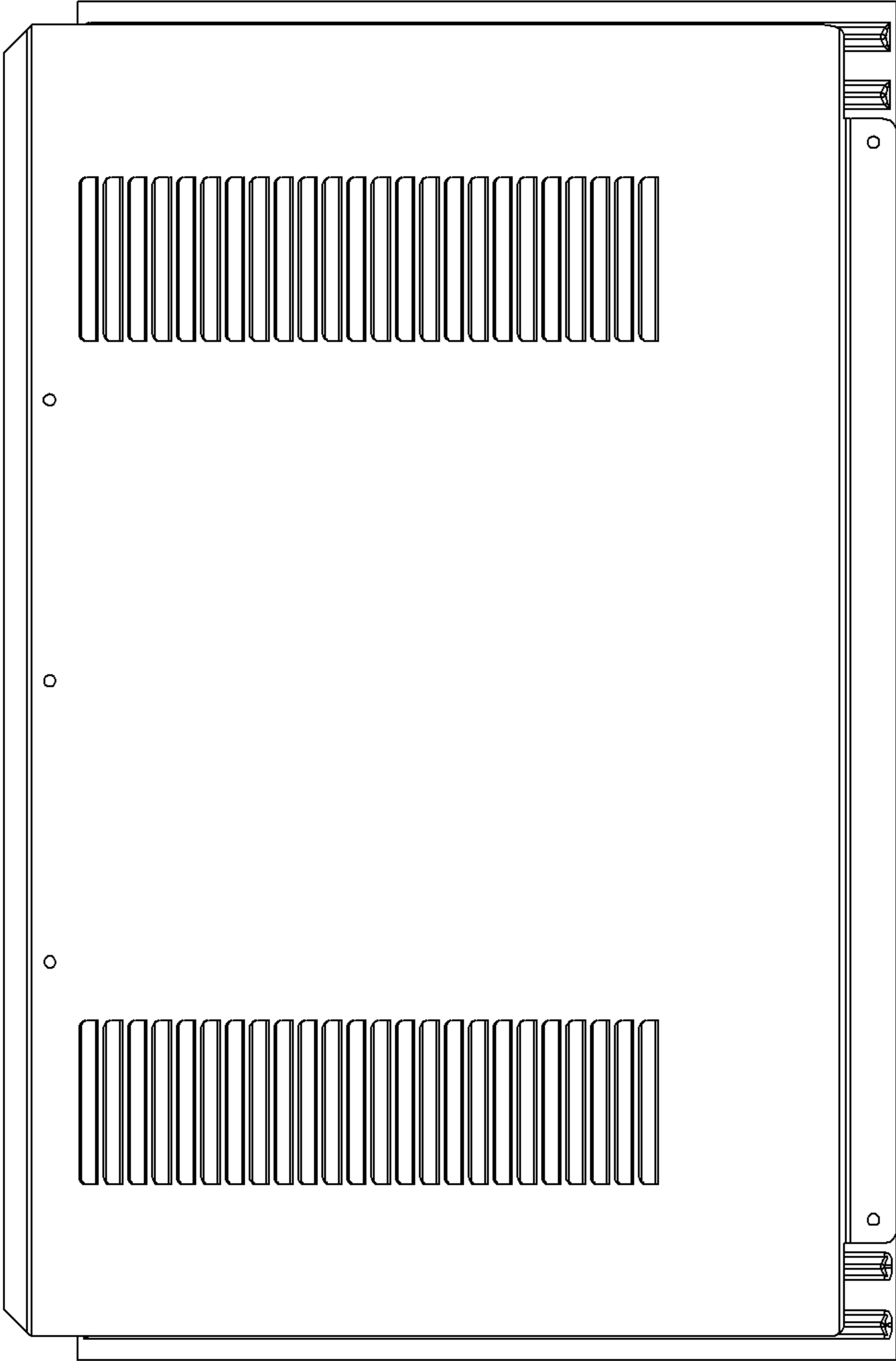


FIG. 1

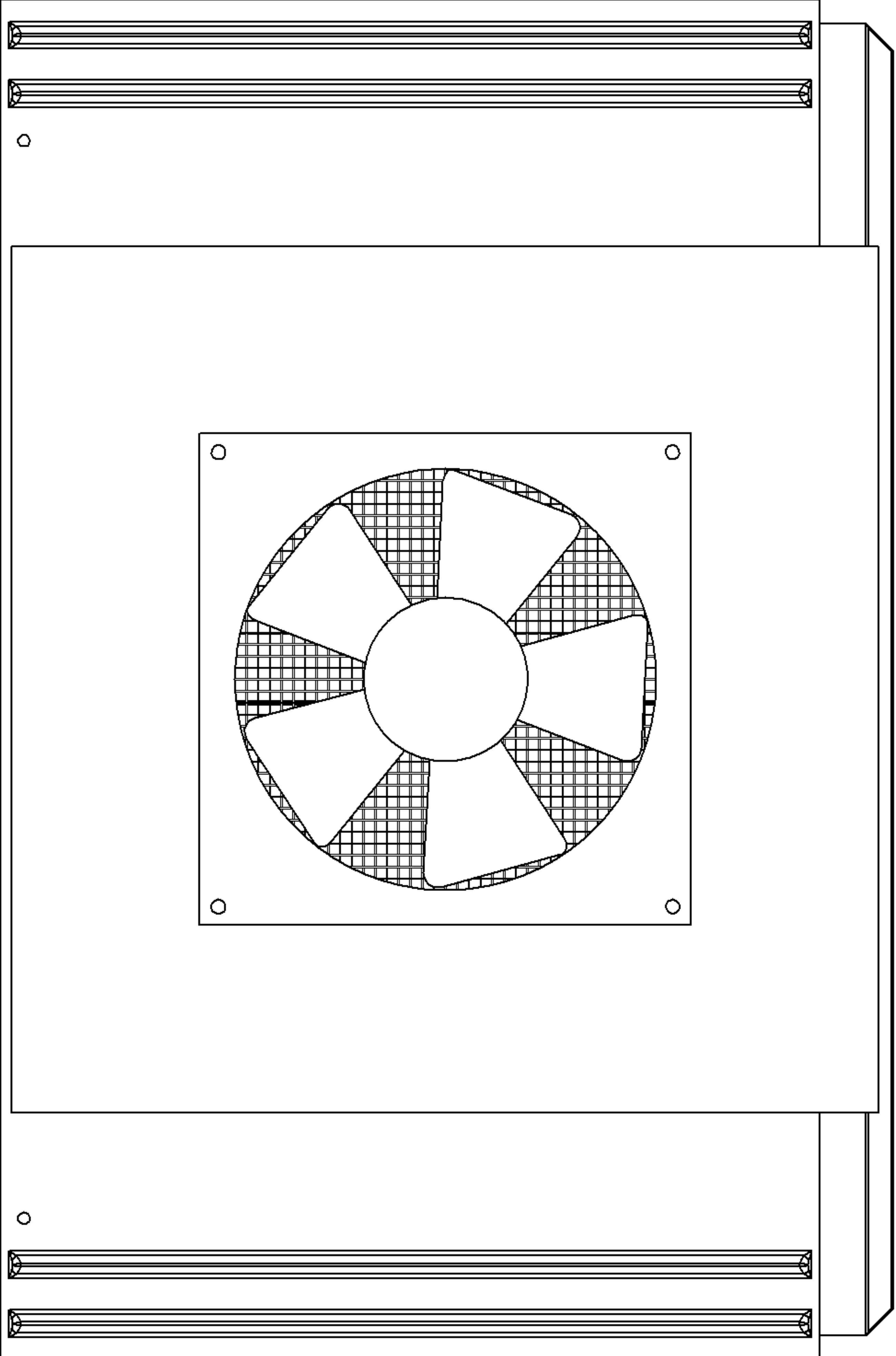


FIG. 2

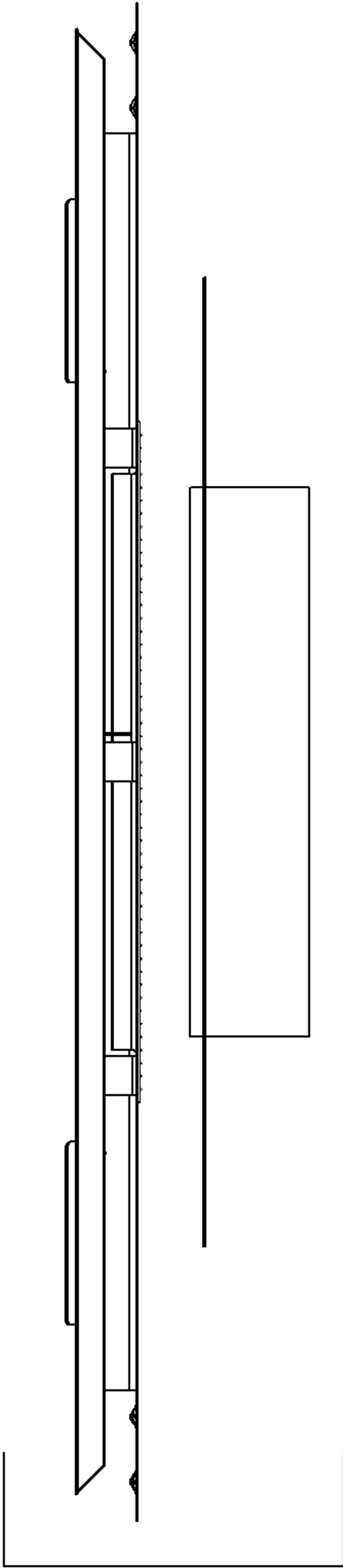


FIG. 3

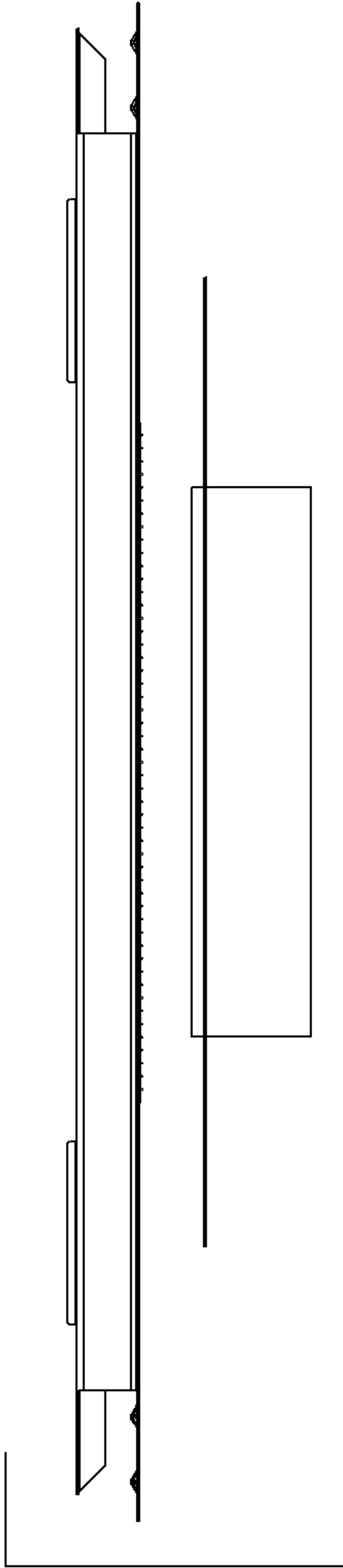


FIG. 4

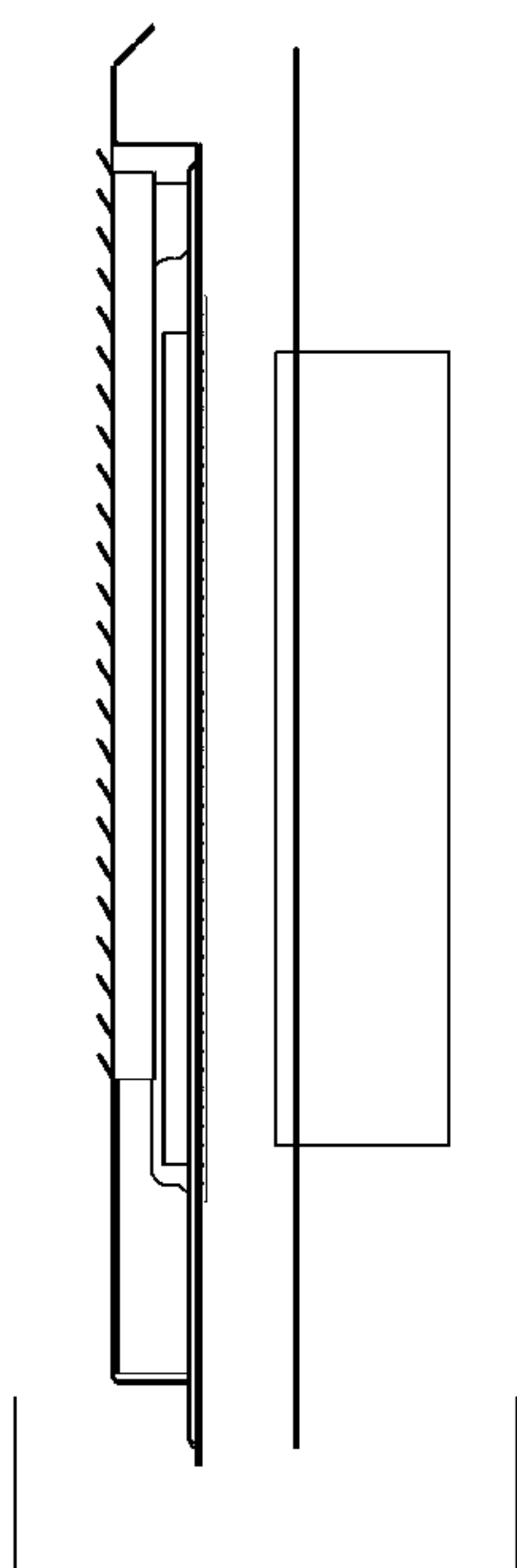


FIG. 5

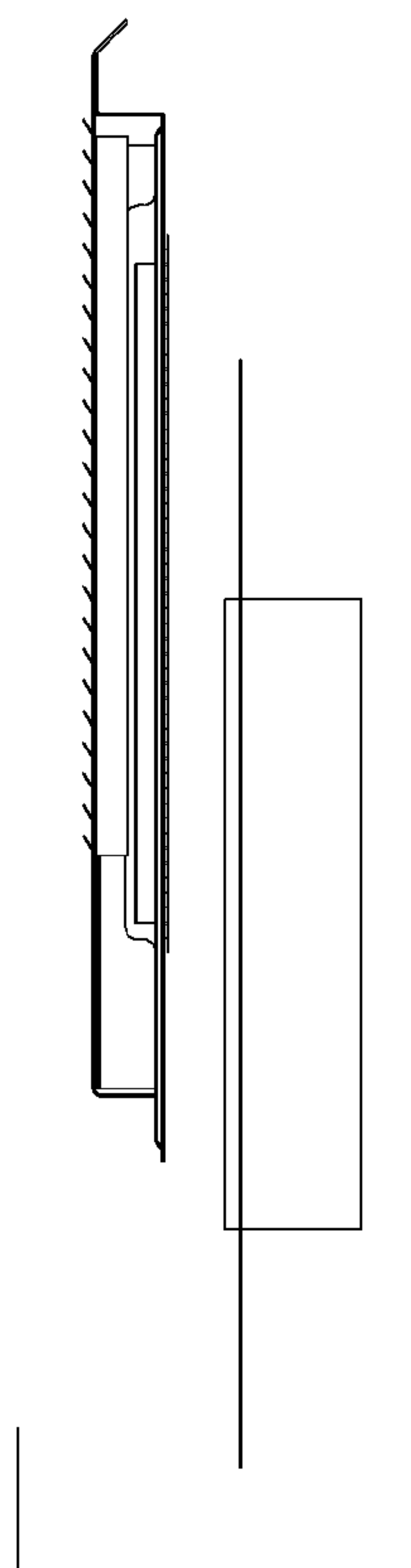


FIG. 6

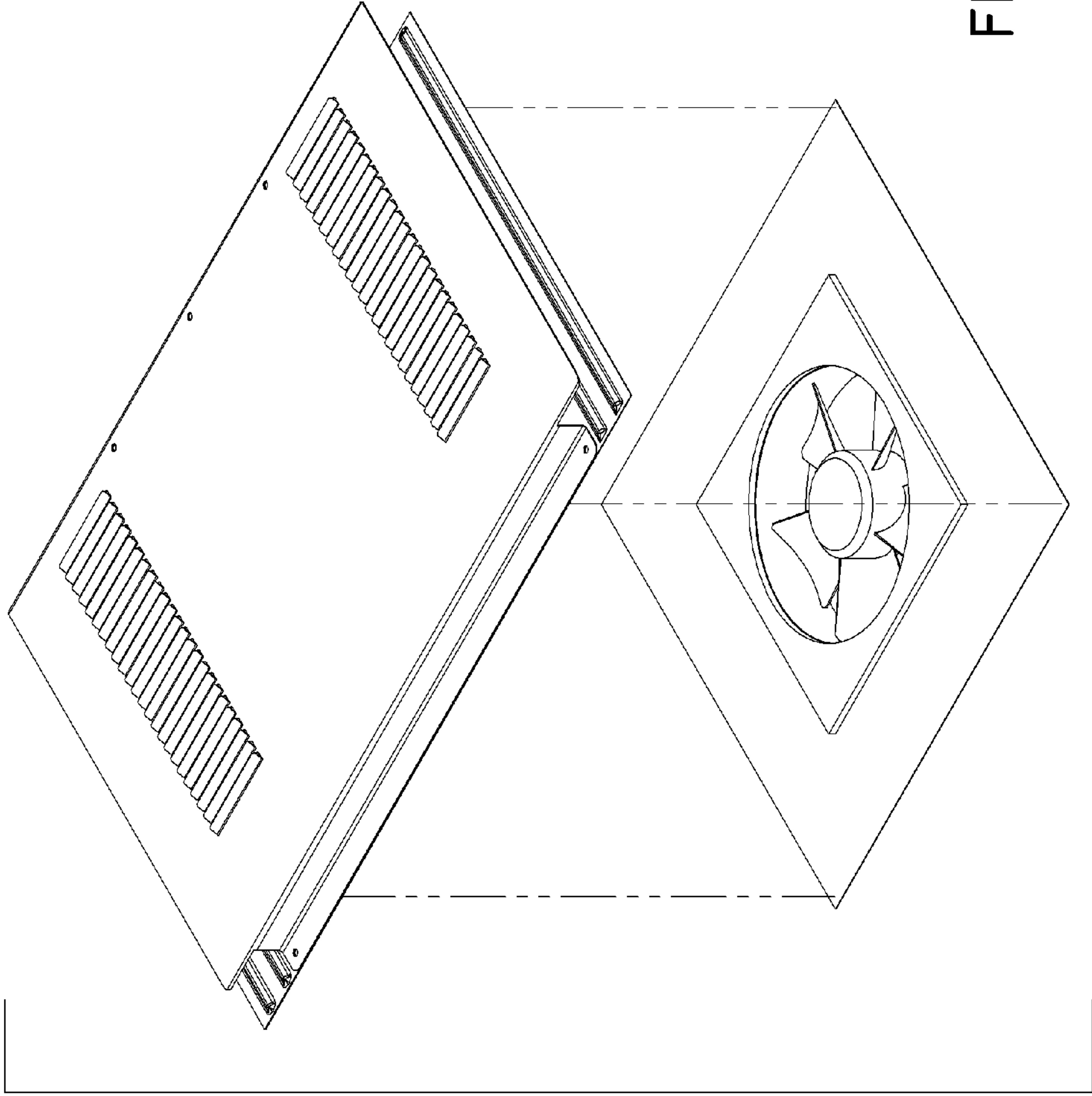


FIG. 7

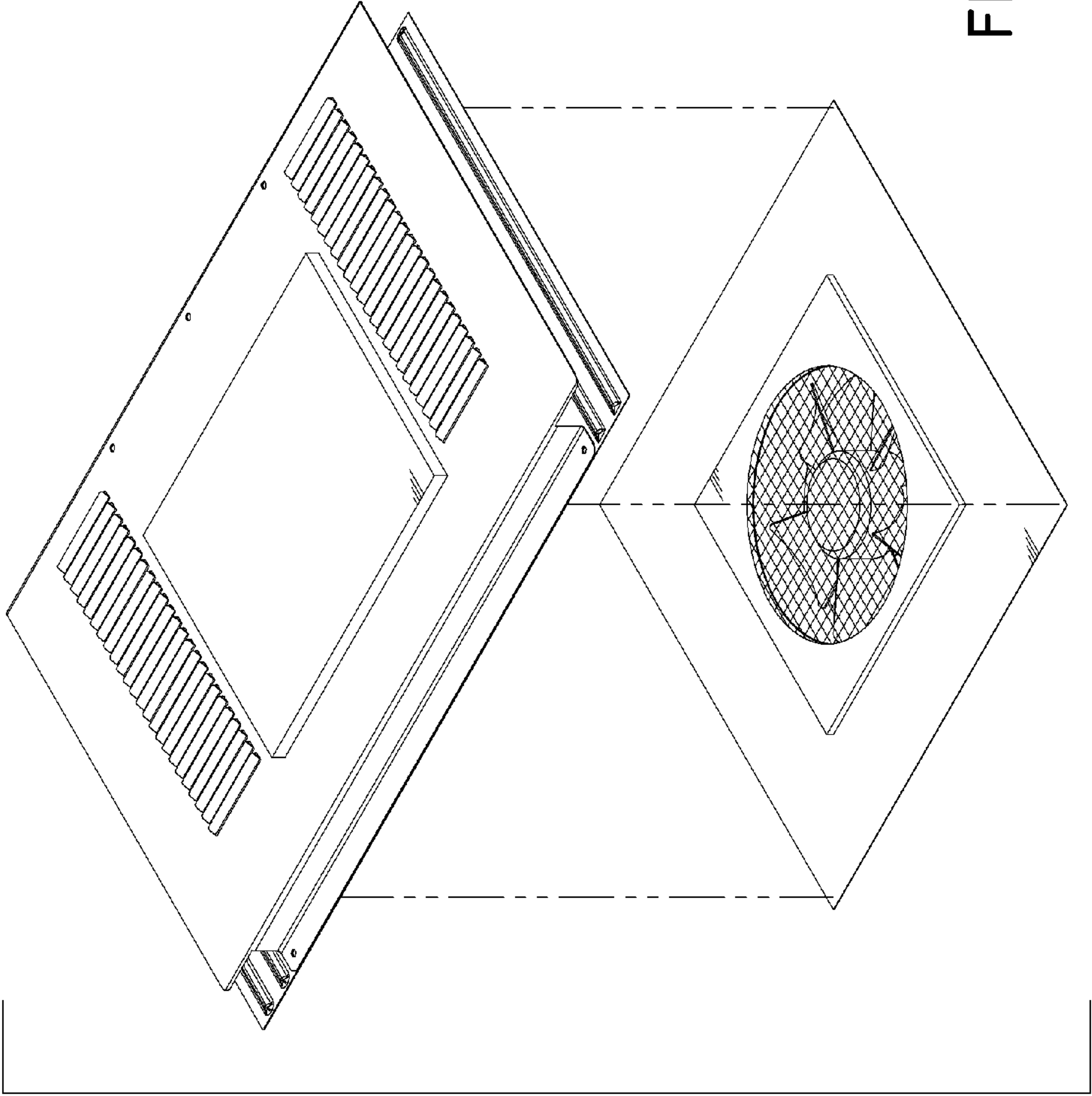


FIG. 8

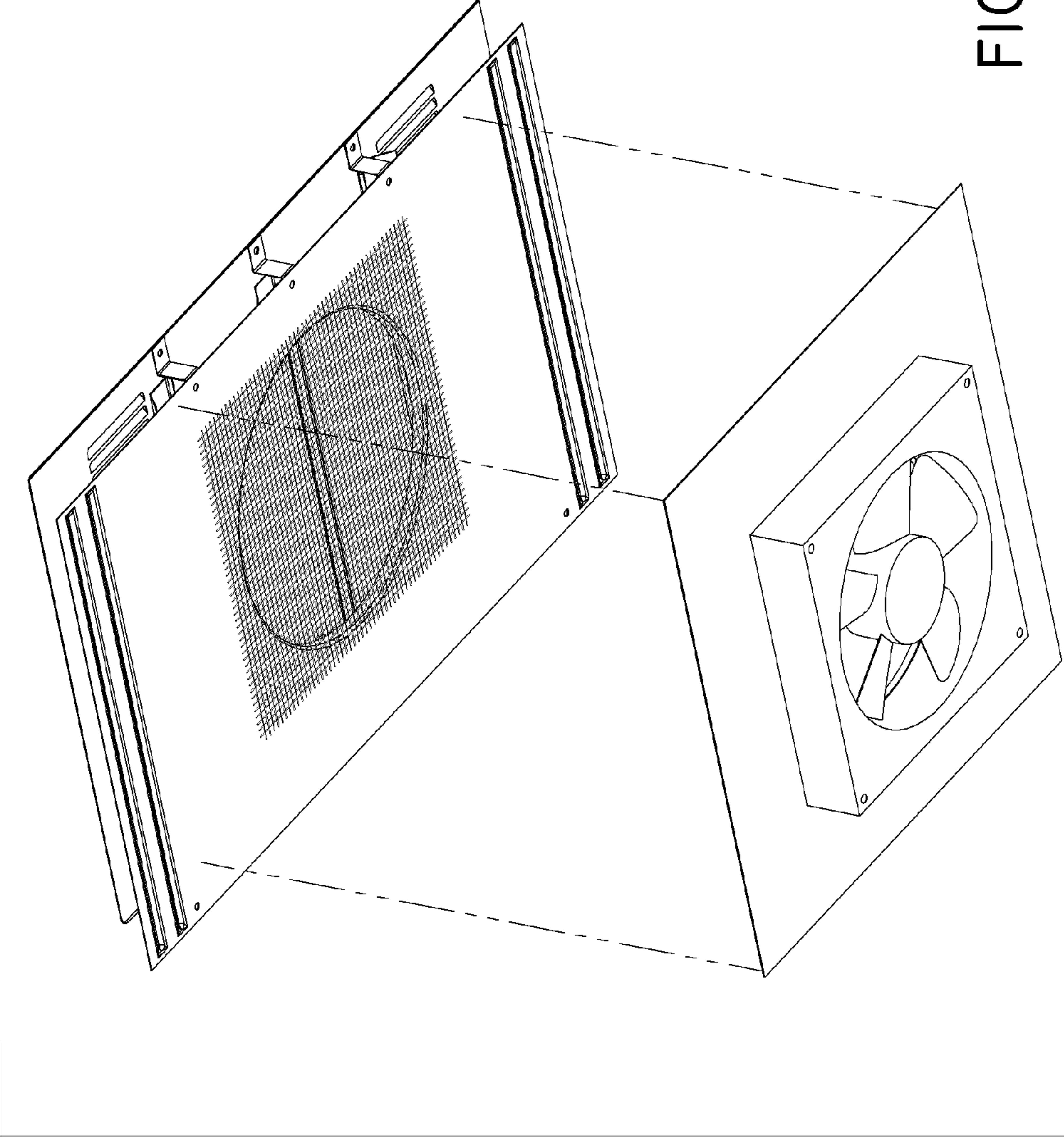


FIG. 9

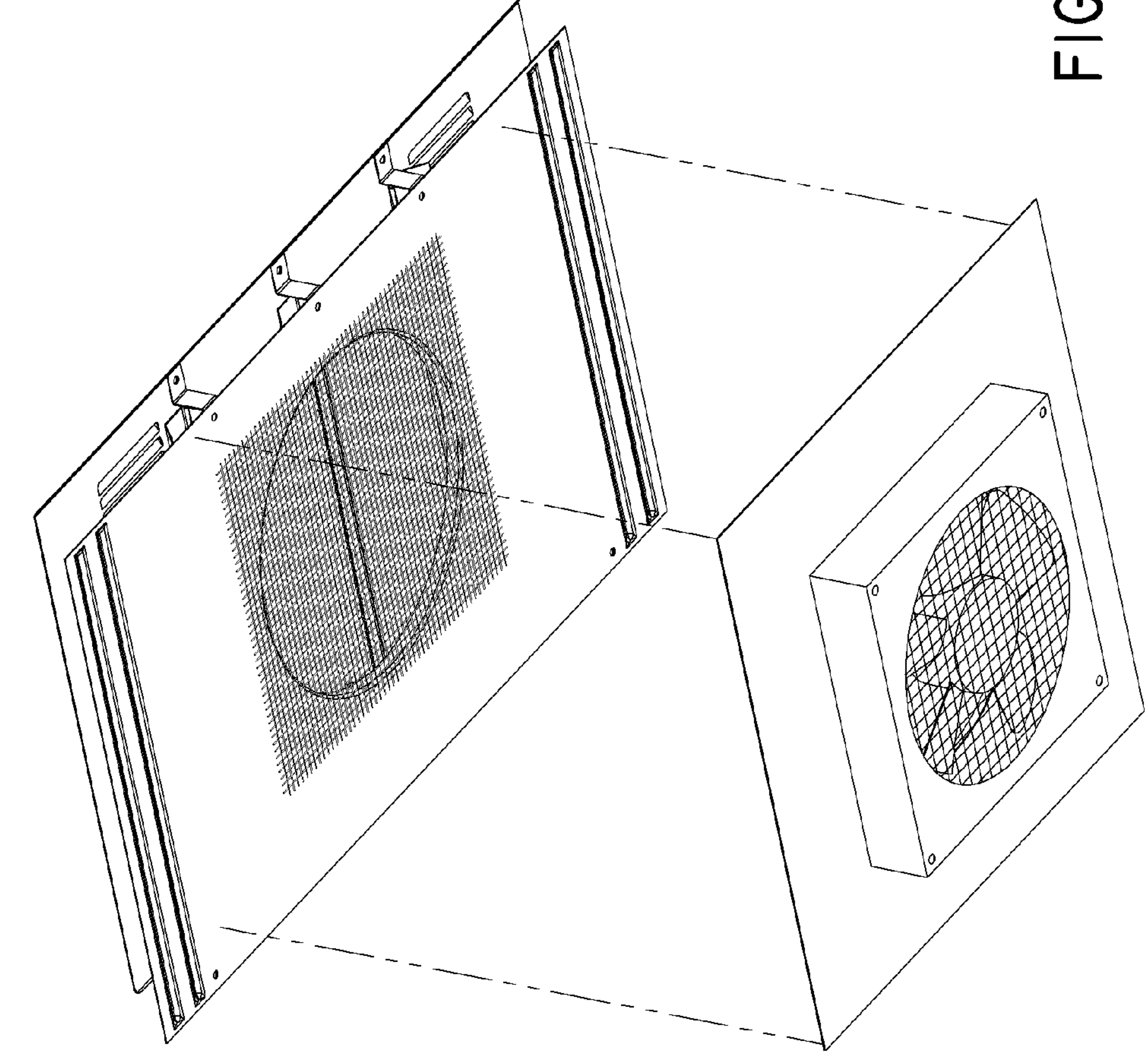


FIG. 10