



US00D748238S

(12) **United States Design Patent**  
**Mecker**

(10) **Patent No.:** **US D748,238 S**  
(45) **Date of Patent:** **\*\* Jan. 26, 2016**

(54) **FACEPLATE FOR A DISPENSER**

*Primary Examiner* — Sandra Snapp

(71) Applicant: **S.C. Johnson & Son, Inc.**, Racine, WI (US)

(57) **CLAIM**  
The ornamental design for a faceplate for a dispenser, as shown and described.

(72) Inventor: **Alex Mecker**, Milwaukee, WI (US)

**DESCRIPTION**

(73) Assignee: **S.C. Johnson & Son, Inc.**, Racine, WI (US)

(\*\*) Term: **14 Years**

(21) Appl. No.: **29/480,365**

(22) Filed: **Jan. 24, 2014**

(51) **LOC (10) Cl.** ..... **28-99**

(52) **U.S. Cl.**  
USPC ..... **D23/366**

(58) **Field of Classification Search**  
USPC ..... D23/355–369; D28/5, 6; 261/DIG. 17, 261/DIG. 42, DIG. 65, DIG. 88, DIG. 89; 392/386, 390, 394, 395; 239/34, 44, 239/53, 55, 56, 326; D26/14, 17, 98, 9, 22, D26/24; D11/131.1; D7/509, 522, 524, 537  
CPC ..... A61L 00/00  
See application file for complete search history.

FIG. 1 is an isometric view of a front, top, and left side of an ornamental design for a dispenser and faceplate therefor; FIG. 2 is a front elevational view of the dispenser and faceplate of FIG. 1; FIG. 3 is a rear elevational view of the dispenser and faceplate of FIG. 1; FIG. 4 is a left side elevational view of the dispenser and faceplate of FIG. 1; FIG. 5 is a right side elevational view of the dispenser and faceplate of FIG. 1; FIG. 6 is a top plan view of the dispenser and faceplate of FIG. 1; FIG. 7 is a bottom plan view of the dispenser and faceplate of FIG. 1; FIG. 8 is an isometric view of a front, top, and left side of an ornamental design for a faceplate for a dispenser; FIG. 9 is a front elevational view of the faceplate for a dispenser of FIG. 8; FIG. 10 is a rear elevational view of the faceplate for a dispenser of FIG. 8; FIG. 11 is a left side elevational view of the faceplate for a dispenser of FIG. 8; FIG. 12 is a right side elevational view of the faceplate for a dispenser of FIG. 8; FIG. 13 is a top plan view of the faceplate for a dispenser of FIG. 8; and, FIG. 14 is a bottom plan view of the faceplate for a dispenser of FIG. 8.

The broken lines are included for the purpose of illustrating environmental structure and form no part of the claimed design. The rear elevation views shown in FIG. 10 forms no part of the claimed design.

(56) **References Cited**

**U.S. PATENT DOCUMENTS**

D48,769 S	3/1916	Albrecht
D62,876 S	1/1923	Boynton
D88,942 S	12/1932	Willheim
D96,114 S	5/1935	Hiedemann

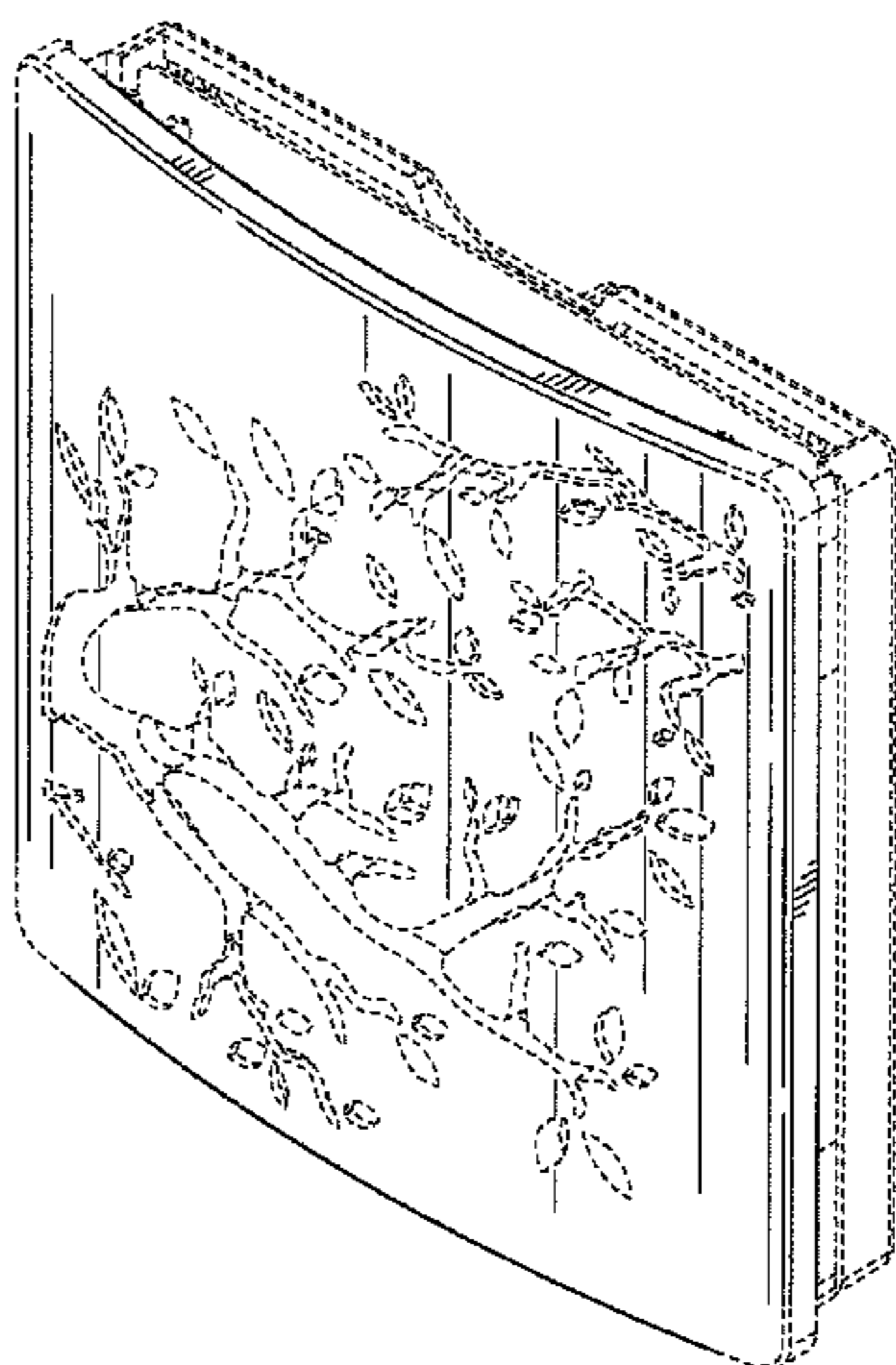
(Continued)

**FOREIGN PATENT DOCUMENTS**

AU	124558	9/1995
AU	127817	9/1996

(Continued)

**1 Claim, 10 Drawing Sheets**



(56)

References Cited

U.S. PATENT DOCUMENTS

D169,871 S 6/1953 Speer et al.  
 D246,319 S \* 11/1977 Rabussier et al. .... D23/369  
 D247,573 S 3/1978 Schimanski  
 D260,503 S 9/1981 Stangarone  
 D262,138 S 12/1981 Bousgarbies et al.  
 D262,652 S 1/1982 Jaeschke et al.  
 D269,838 S 7/1983 Altonaga  
 D271,359 S 11/1983 Le  
 D275,223 S 8/1984 Marxen  
 D275,700 S 9/1984 Marxen  
 D279,146 S 6/1985 McCaffrey  
 D288,003 S 1/1987 Hoyt  
 D296,957 S 8/1988 Gordon et al.  
 D305,703 S 1/1990 Wang  
 D323,554 S 1/1992 Hoyt et al.  
 D325,077 S 3/1992 Kearnes  
 D339,238 S 9/1993 Hamilton  
 D339,242 S 9/1993 Sontag et al.  
 D346,068 S 4/1994 White  
 D346,856 S 5/1994 Kany  
 D349,157 S 7/1994 Rymer  
 D354,627 S 1/1995 Rowan  
 D358,037 S 5/1995 Monroe  
 D360,461 S 7/1995 Gillespie  
 D361,896 S 9/1995 Bramley et al.  
 D366,107 S 1/1996 Shaffer  
 D366,521 S 1/1996 Wijaranakula  
 D369,473 S 5/1996 Gluck  
 5,522,008 A 5/1996 Bernard  
 5,527,493 A 6/1996 McElfresh et al.  
 D372,797 S 8/1996 Ilaria et al.  
 D374,713 S 10/1996 Ford et al.  
 D374,777 S 10/1996 Agam  
 D376,002 S 11/1996 Upson  
 D376,420 S 12/1996 Rymer  
 D376,914 S 12/1996 Waszkiewicz, III  
 D377,213 S 1/1997 Wang  
 5,603,455 A 2/1997 Lin  
 D379,853 S 6/1997 Long et al.  
 D380,822 S 7/1997 Decker et al.  
 D383,613 S 9/1997 Handler  
 D384,408 S 9/1997 Foreman  
 D384,821 S 10/1997 Sugar  
 D392,031 S 3/1998 Miller  
 D395,705 S 6/1998 Ediger et al.  
 D396,275 S 7/1998 Pearson  
 D399,298 S 10/1998 Whitehead  
 D401,767 S 12/1998 Leung  
 D402,746 S 12/1998 Clark et al.  
 D405,473 S 2/1999 Tikhonski et al.  
 D405,961 S 2/1999 Stangl et al.  
 D407,477 S 3/1999 Chen  
 D407,809 S 4/1999 Hammond  
 D411,001 S 6/1999 Pinchuk  
 D414,656 S 10/1999 Richmond  
 D424,812 S 5/2000 Kacius  
 D431,075 S 9/2000 Barraclough  
 6,123,935 A 9/2000 Wefler et al.  
 D435,097 S 12/2000 Huang  
 D435,100 S 12/2000 Pesu et al.  
 D437,404 S 2/2001 Wu  
 D438,607 S 3/2001 Edwards et al.  
 D439,964 S 4/2001 Wu  
 D441,441 S 5/2001 Upson  
 D445,262 S 7/2001 Rowan  
 D456,070 S 4/2002 Garman  
 D456,620 S 5/2002 Vincent  
 D456,886 S 5/2002 Hart et al.  
 D456,888 S 5/2002 Buthier  
 D457,230 S 5/2002 Huang  
 D461,006 S 7/2002 Buthier  
 D461,393 S 8/2002 Aubert Capella  
 D465,567 S 11/2002 Choi  
 D466,204 S 11/2002 Wolpert et al.  
 D466,205 S 11/2002 Garcia

D468,033 S 12/2002 Warren et al.  
 D476,726 S 7/2003 Rosenberg  
 D479,742 S 9/2003 Hollingsworth  
 D480,221 S 10/2003 Luciano  
 D481,113 S 10/2003 Groene et al.  
 6,631,852 B1 10/2003 O'Leary  
 D481,785 S 11/2003 Koike  
 D485,341 S 1/2004 Wu  
 D485,607 S 1/2004 Wu  
 D487,308 S 3/2004 Engerant  
 D488,622 S 4/2004 Dwiggin  
 D492,400 S 6/2004 Smith et al.  
 D493,516 S \* 7/2004 Harbutt et al. .... D23/366  
 D498,524 S 11/2004 Morillas  
 D498,525 S 11/2004 Harbutt et al.  
 D498,526 S 11/2004 Emrich  
 D498,836 S 11/2004 Morillas  
 D503,974 S 4/2005 Morillas  
 D504,500 S 4/2005 Morillas  
 D508,285 S 8/2005 Velicescu  
 D509,894 S 9/2005 Hoyt et al.  
 D515,681 S 2/2006 Muir et al.  
 D516,689 S 3/2006 Salmon et al.  
 D518,964 S 4/2006 Carter et al.  
 D520,130 S 5/2006 Miró  
 D521,621 S 5/2006 Slater  
 D522,640 S 6/2006 Miró  
 D528,309 S 9/2006 Schwind  
 D541,054 S 4/2007 Schwind  
 D548,827 S 8/2007 Pivert et al.  
 D552,225 S 10/2007 Borovicka et al.  
 D555,478 S 11/2007 Miller et al.  
 D558,870 S 1/2008 Triplett et al.  
 D561,887 S 2/2008 Friedman et al.  
 D573,241 S 7/2008 Chiu  
 D573,706 S 7/2008 Zlotnik et al.  
 D577,427 S 9/2008 Spiegel  
 D578,197 S 10/2008 Spiegel  
 D581,677 S 12/2008 Yeh  
 D590,141 S 4/2009 McClaskie  
 7,523,577 B2 \* 4/2009 Majerowski ..... 40/768  
 D600,788 S 9/2009 Campbell et al.  
 D603,949 S 11/2009 Campbell et al.  
 D606,185 S 12/2009 Wefler et al.  
 D608,433 S 1/2010 Murai et al.  
 D609,321 S 2/2010 Tomasulo et al.  
 7,665,231 B2 \* 2/2010 Abadjian et al. .... 36/29  
 D616,740 S 6/2010 Akers et al.  
 D631,146 S 1/2011 Shu et al.

FOREIGN PATENT DOCUMENTS

AU 128464 10/1996  
 AU 128465 10/1996  
 AU 132238 11/1997  
 AU 133431 4/1998  
 AU 138445 9/1999  
 AU 139593 1/2000  
 AU 144711 8/2001  
 AU 144970 8/2001  
 AU 144983 8/2001  
 AU 150220 1/2003  
 AU 151264 3/2003  
 AU 152330 7/2003  
 AU 152331 7/2003  
 AU 152332 7/2003  
 AU 153589 11/2003  
 AU 154829 3/2004  
 AU 155668 6/2004  
 AU 300248 11/2004  
 AU 300600 2/2005  
 AU 301146 3/2005  
 AU 309626 9/2006  
 AU 309627 9/2006  
 AU 309737 9/2006  
 AU 311260 11/2006  
 AU 315944 9/2007  
 AU 315945 9/2007  
 AU 315946 9/2007



(56)

References Cited

FOREIGN PATENT DOCUMENTS

AU	318723	4/2008
AU	326307	6/2009
AU	329139	1/2010
AU	332678	9/2010
AU	332679	9/2010
AU	332682	9/2010
AU	333047	9/2010
DE	M9506278-0001	1/1996
DE	M9705311-0001	11/1997
DE	40104057-0001	1/2002
DE	40104057-0002	1/2002
DE	40104057-0003	1/2002
DE	40104057-0004	1/2002
DE	40302332-0001	9/2003
DE	40302332-0002	9/2003
DE	40302332-0003	9/2003
DE	40302332-0004	9/2003
DE	40302332-0005	9/2003
DE	40302332-0006	9/2003
DE	40302332-0007	9/2003
DE	40302332-0008	9/2003
DE	40302332-0009	9/2003
DE	40302332-0010	9/2003
DE	40302332-0011	9/2003
DE	40302332-0012	9/2003
DE	40302332-0013	9/2003
DE	40302332-0014	9/2003
EM	000205661-0001	10/2004
EM	000358940-0004	8/2005

EM	000820352-0001	11/2007
EM	000820352-0002	11/2007
EM	000820352-0003	11/2007
EM	000820352-0004	11/2007
EM	000820352-0005	11/2007
EM	000834726-0001	2/2008
EM	001642026-0001	12/2009
EM	001740572-0005	10/2010
EM	001740572-0008	10/2010
FR	973411-001	10/1997
FR	005700-001	3/2001
FR	005700-002	3/2001
FR	005700-003	3/2001
GB	2028376	1/1994
GB	2045032	6/1995
GB	2043826	7/1995
GB	2083911	9/1999
GB	2083912	9/1999
GB	2100214	9/2000
GB	3007055	9/2003
JP	1079079	7/2000
JP	1131488	1/2002
JP	1154856	10/2002
JP	1212383	7/2004
JP	1230282	2/2005
KR	30-0202619-0000	7/1997
KR	30-0381782-0000	5/2005
WO	DM-050034	2/2000
WO	DM-054925	3/2001
WO	WO 02-078750	10/2002
WO	DM-066131	6/2005

\* cited by examiner

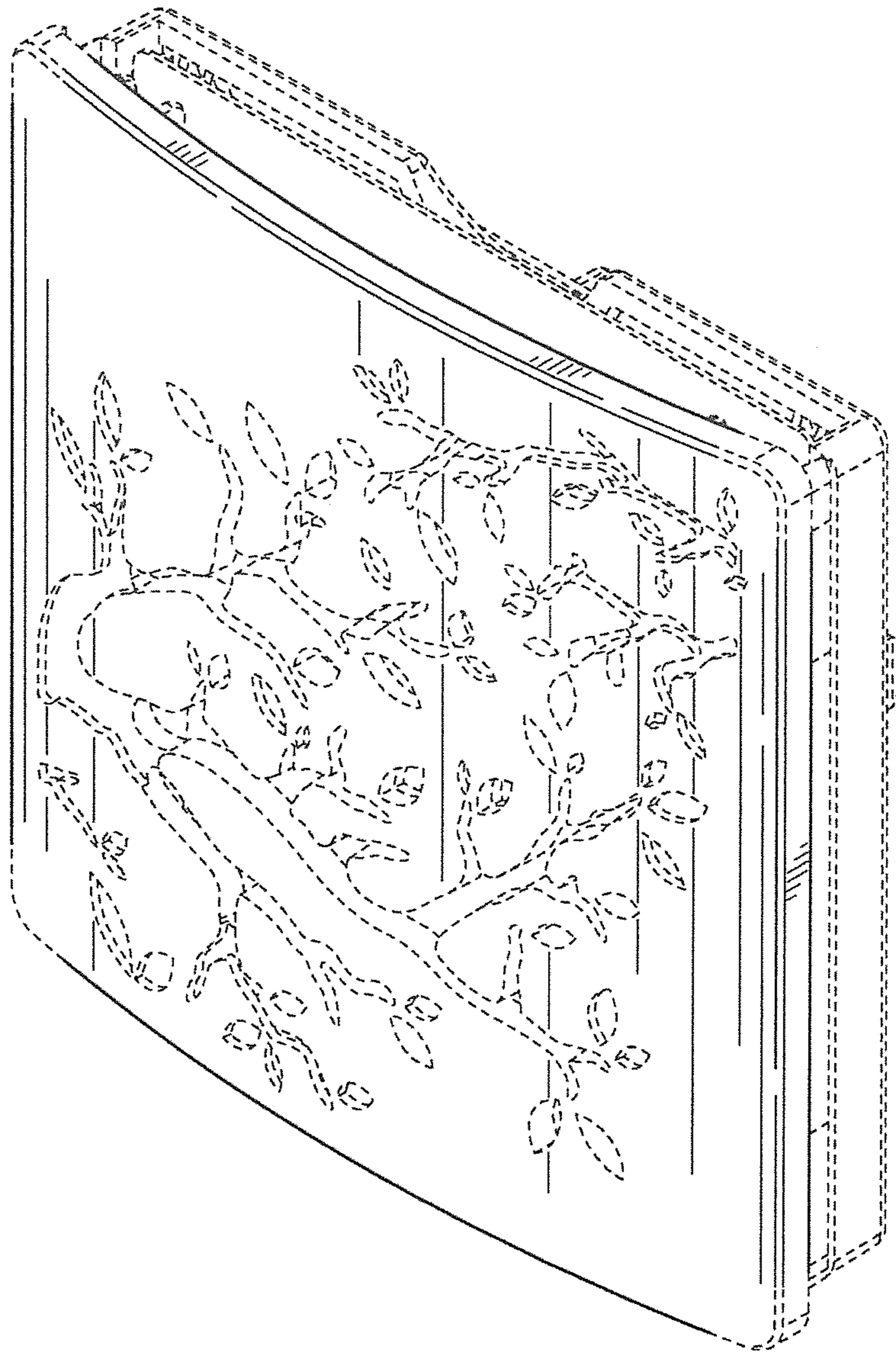


FIG. 1

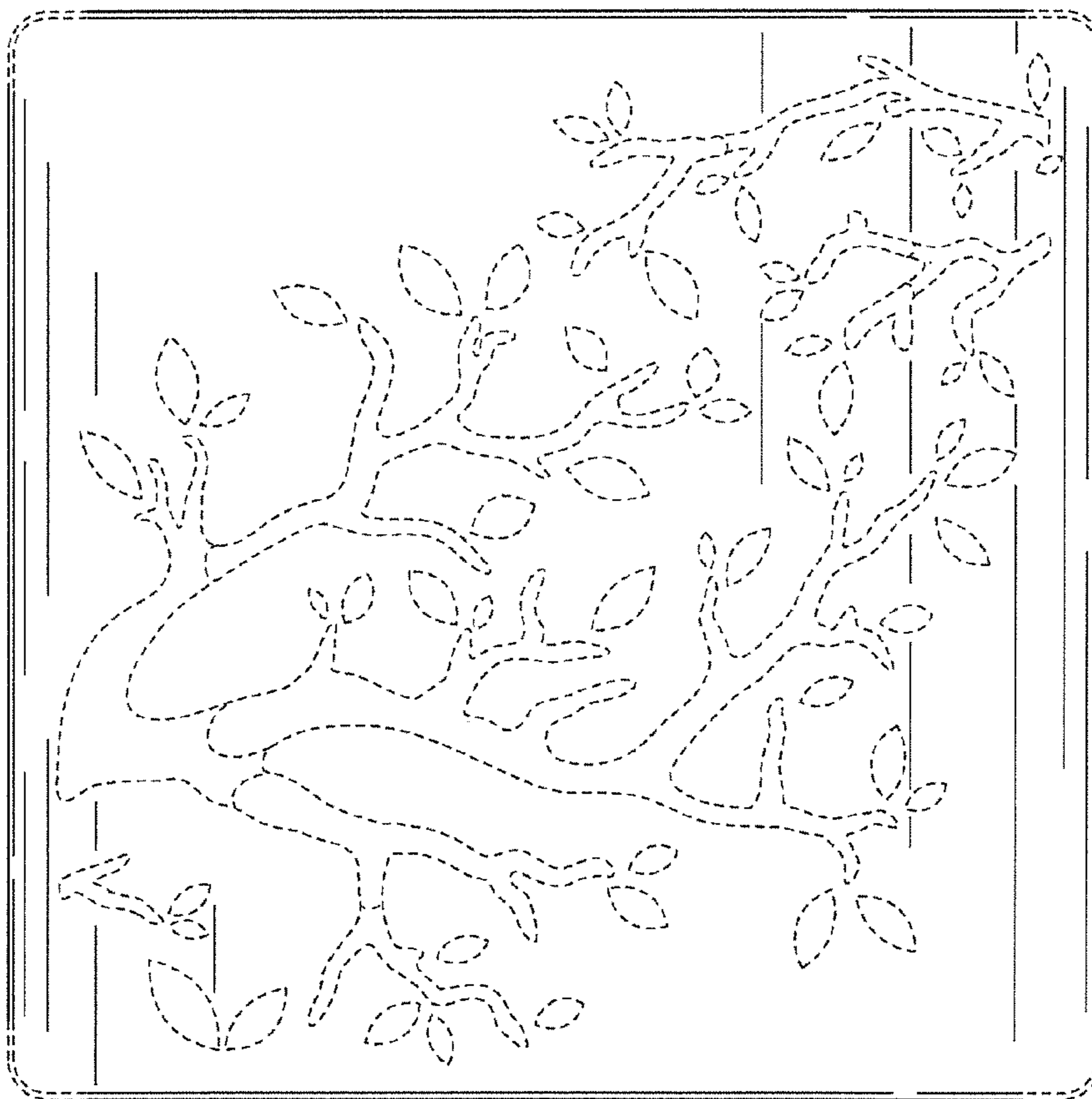


FIG. 2

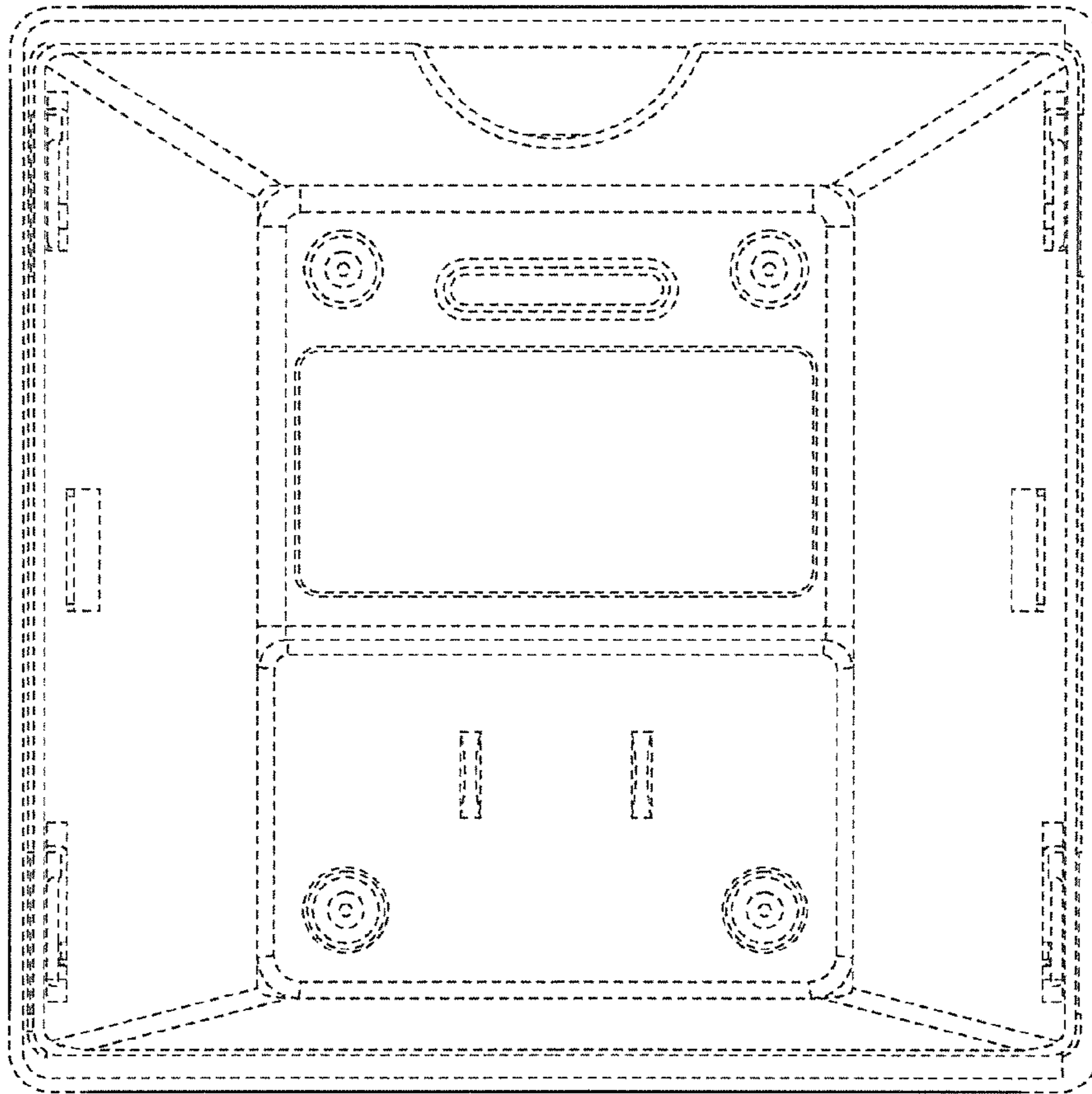


FIG. 3



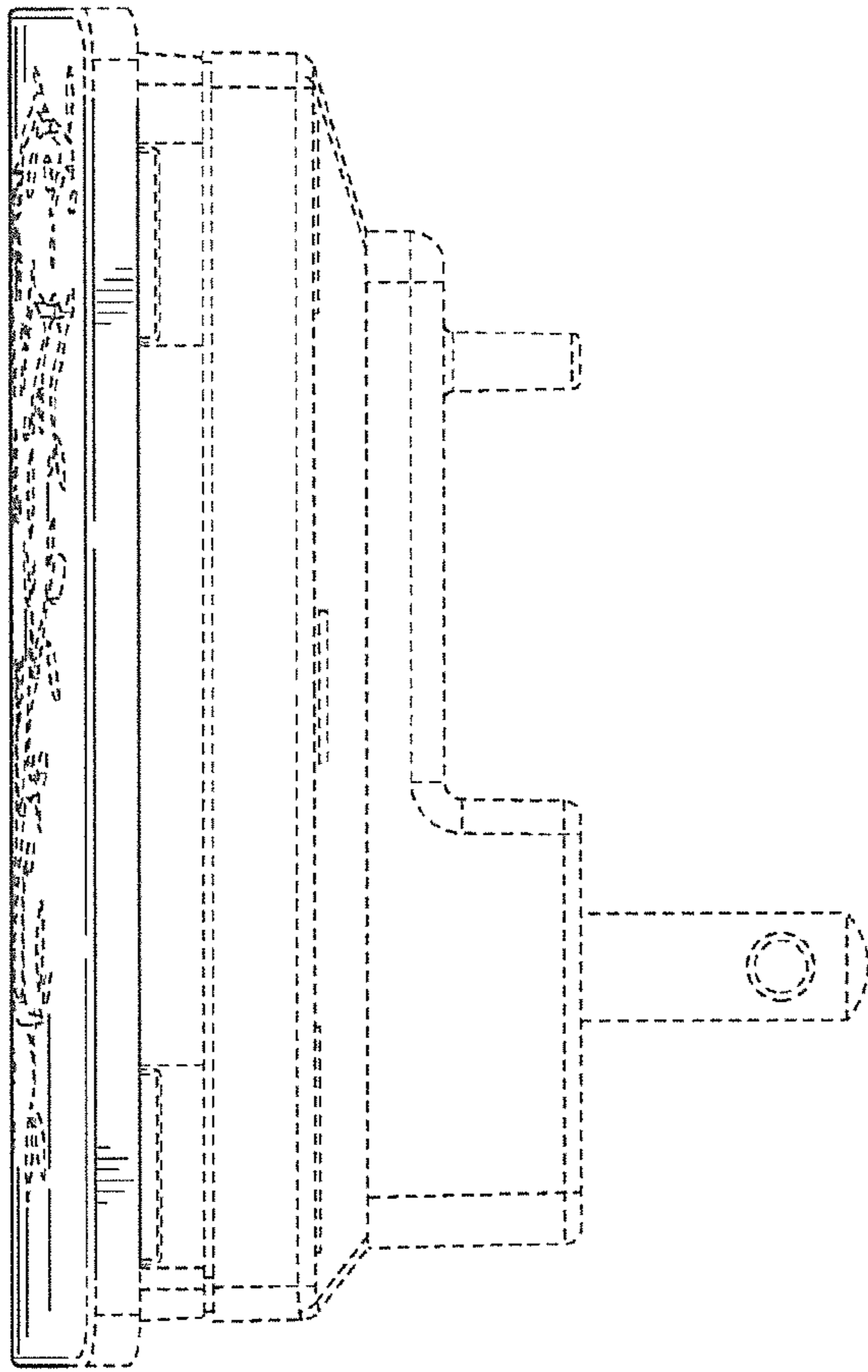


FIG. 4

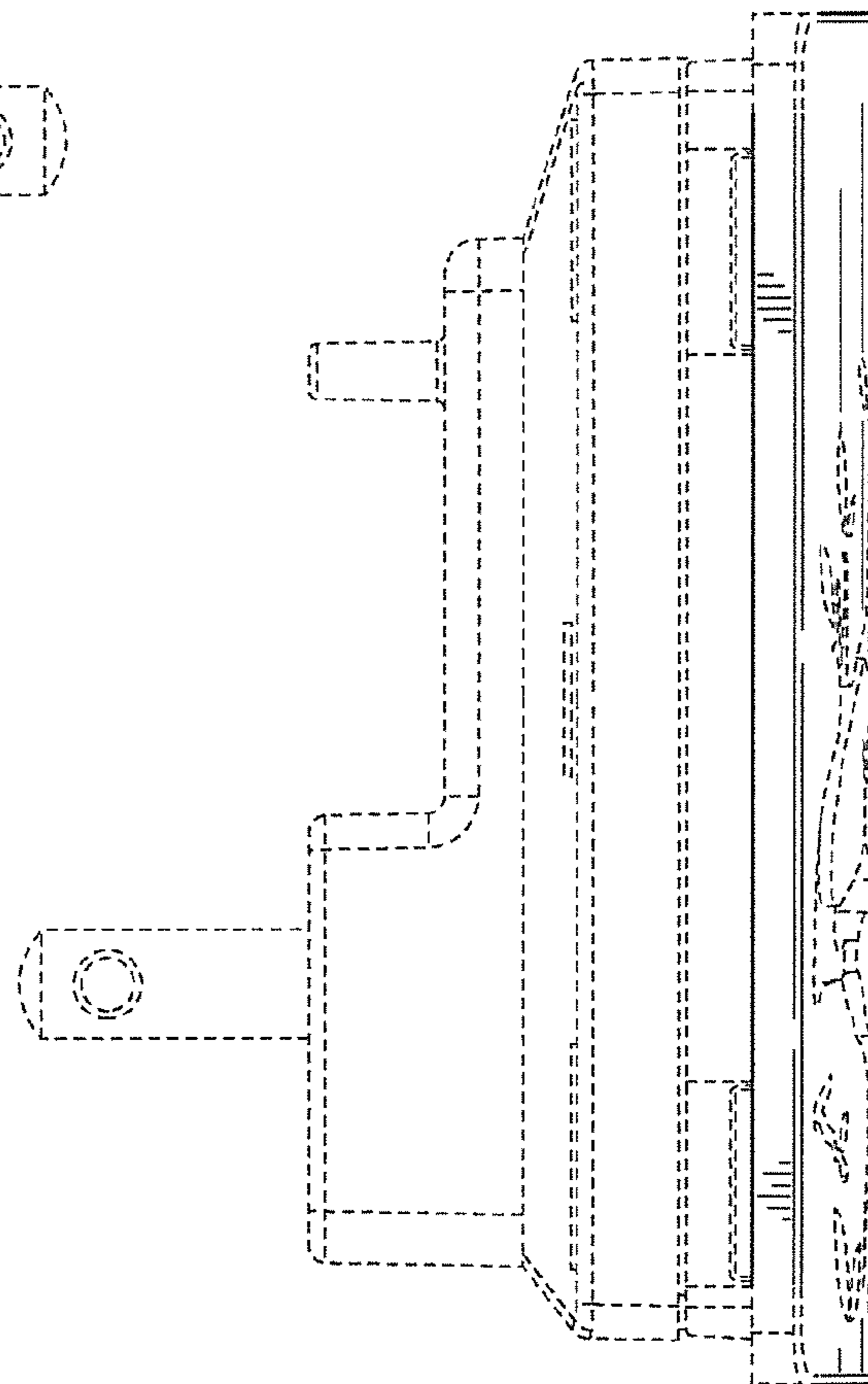


FIG. 5

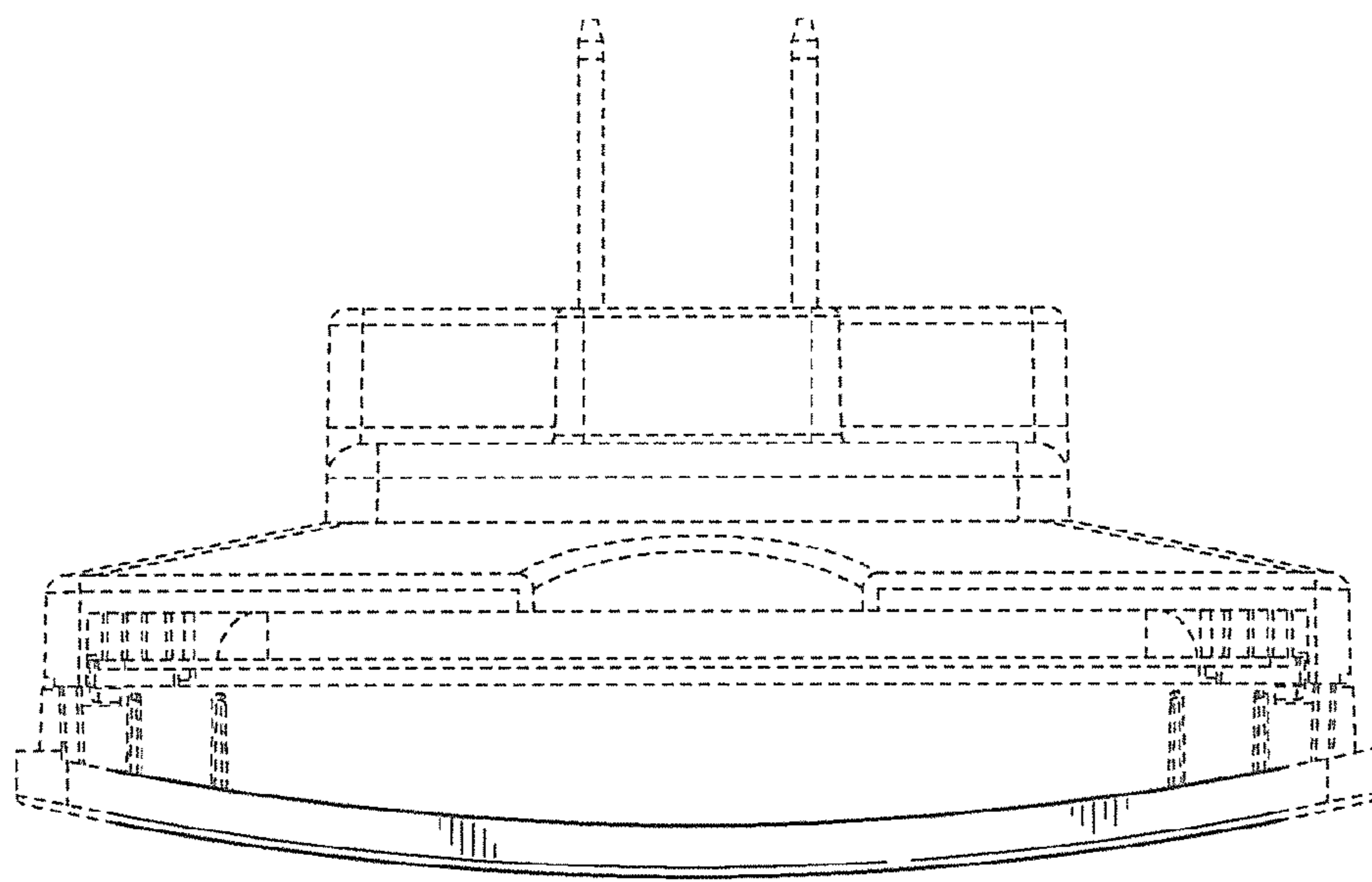


FIG. 6

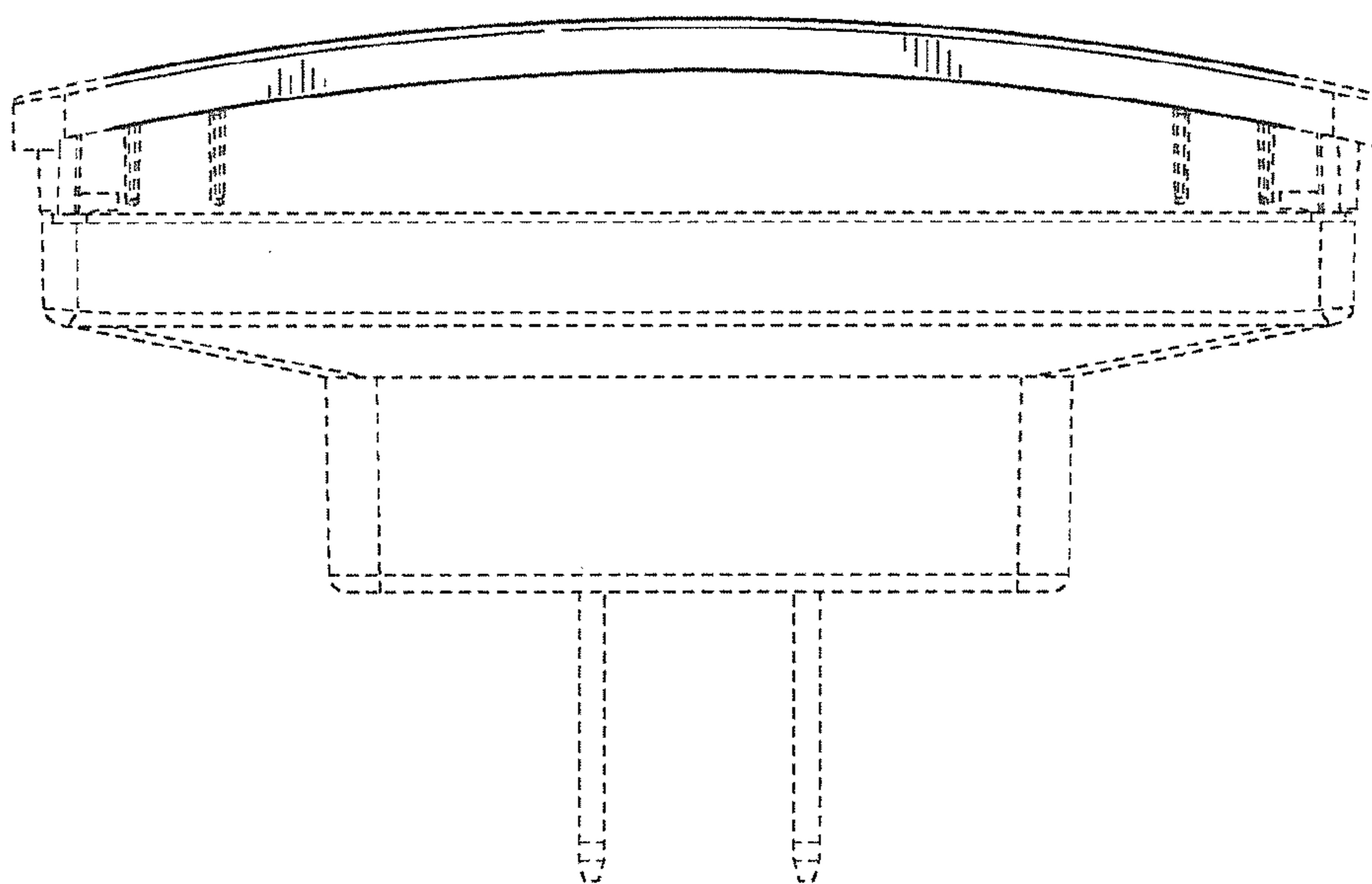


FIG. 7



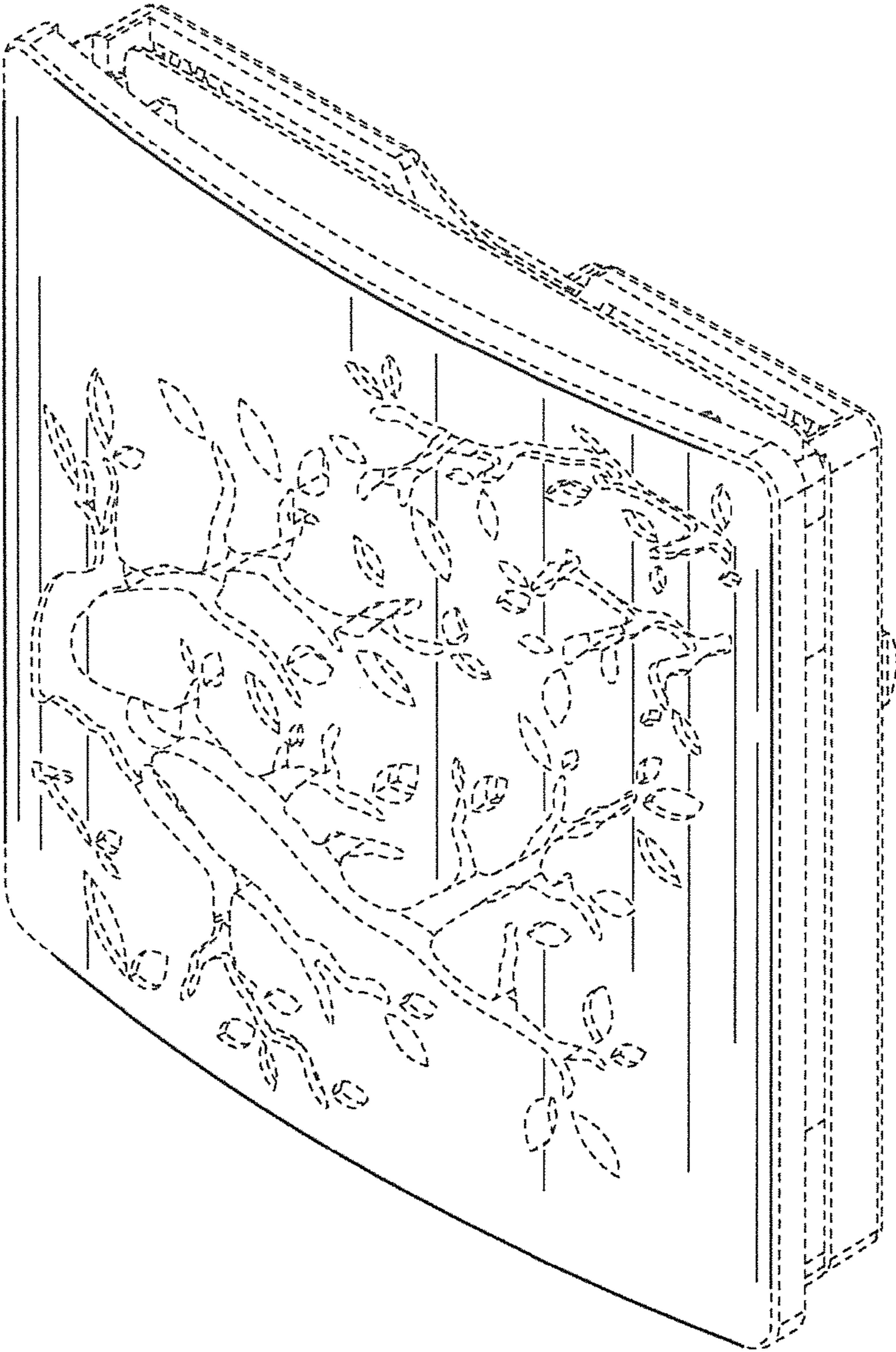


FIG. 8

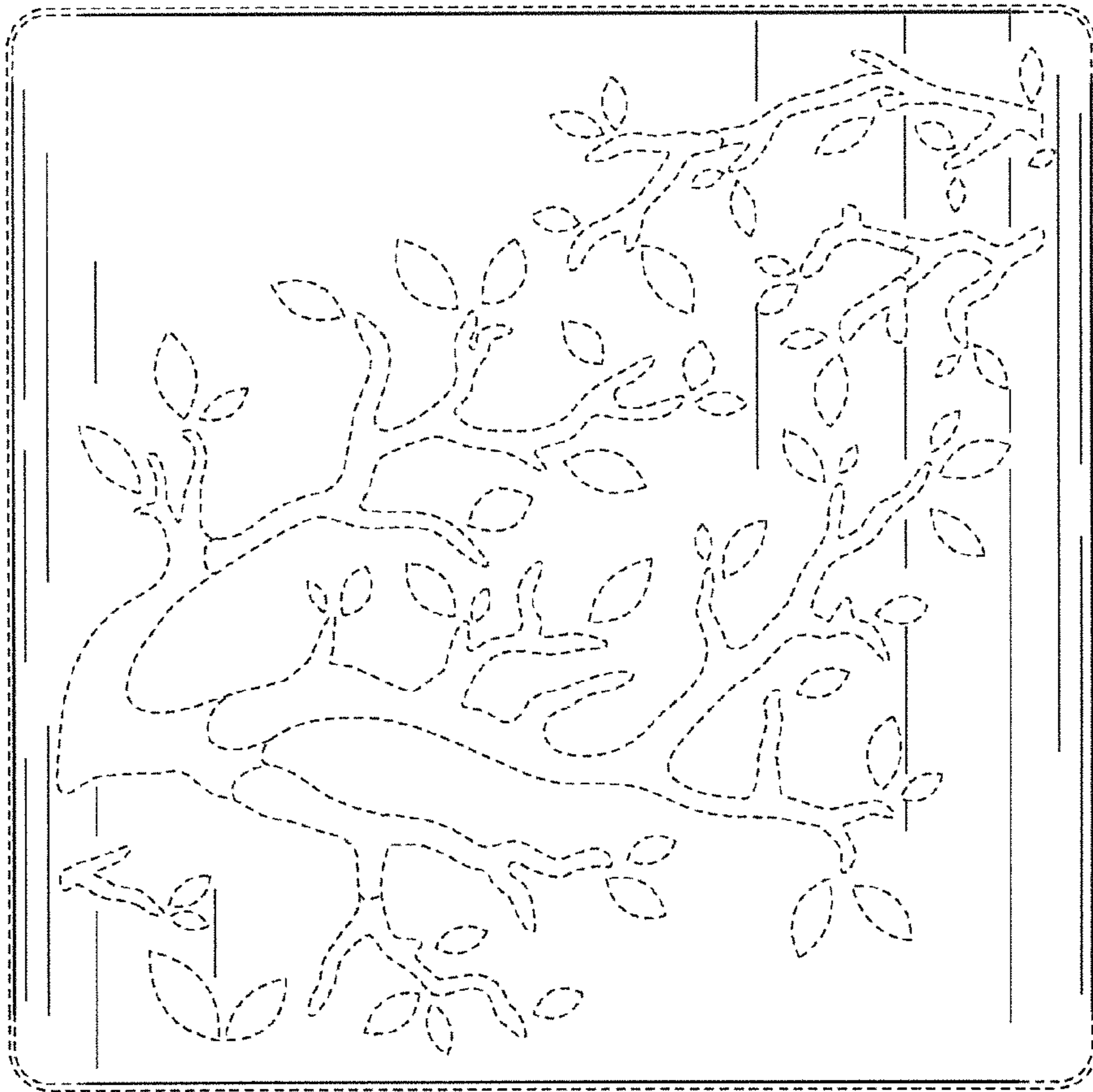


FIG. 9

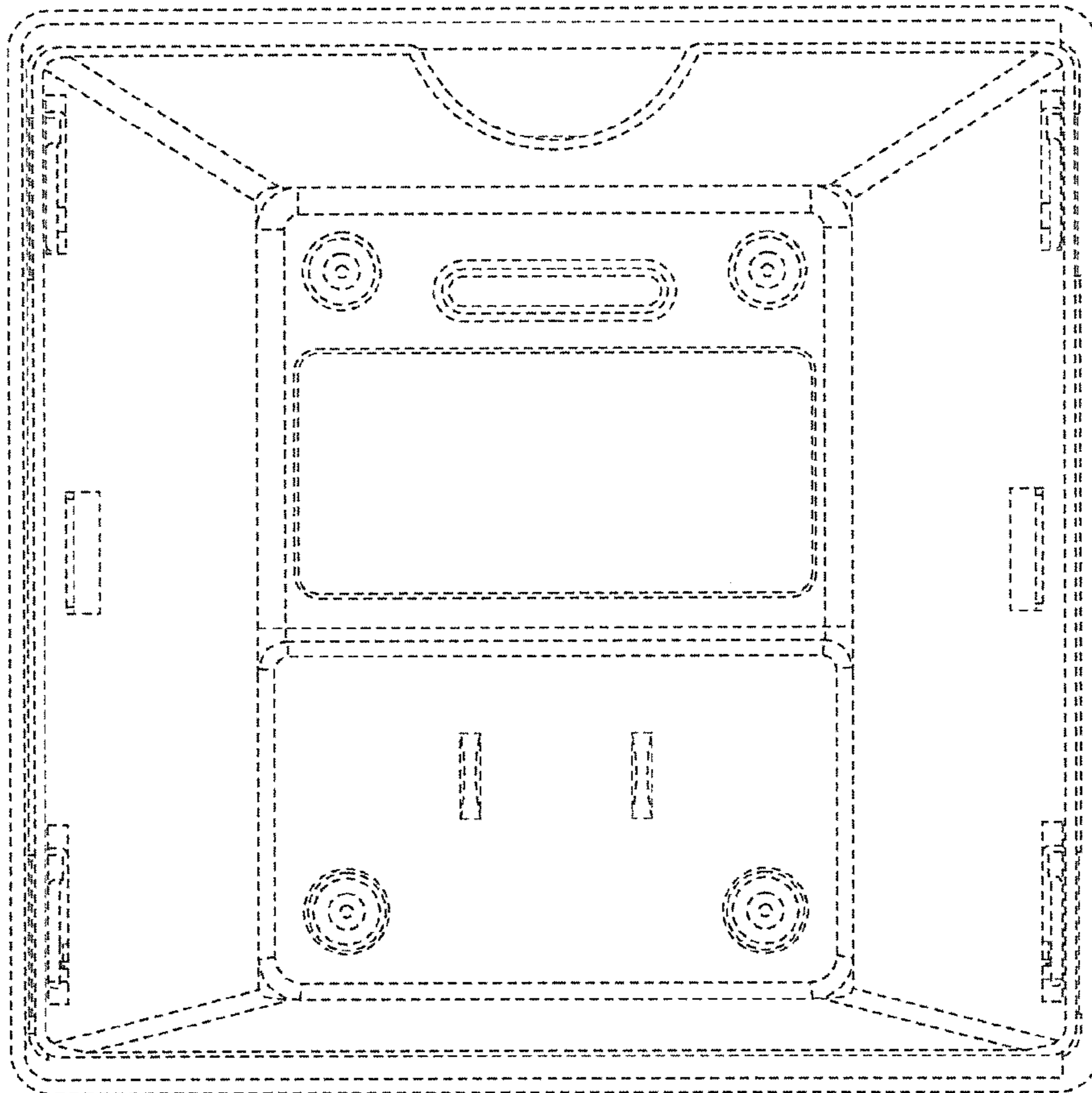


FIG. 10



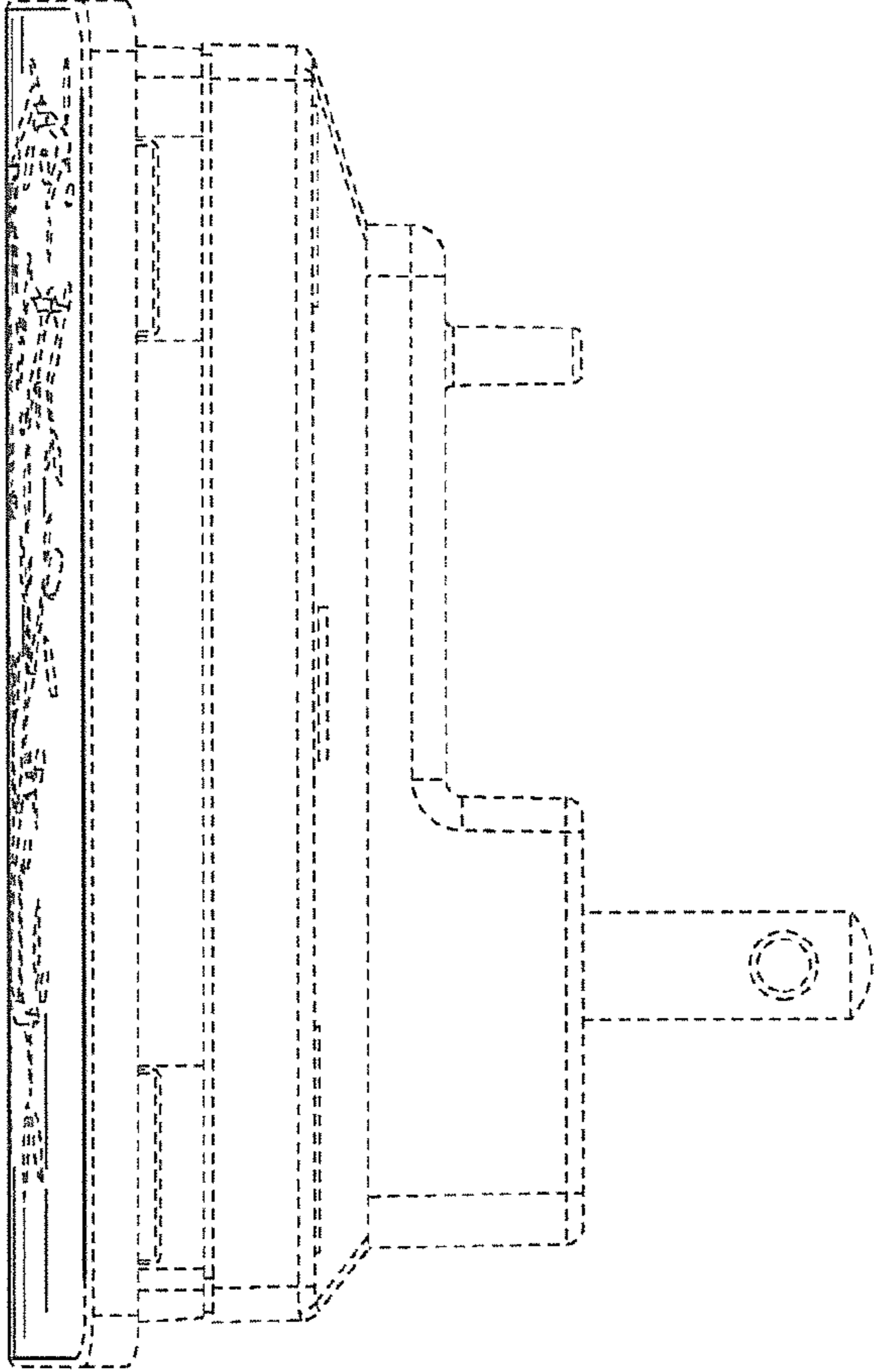


FIG. 11

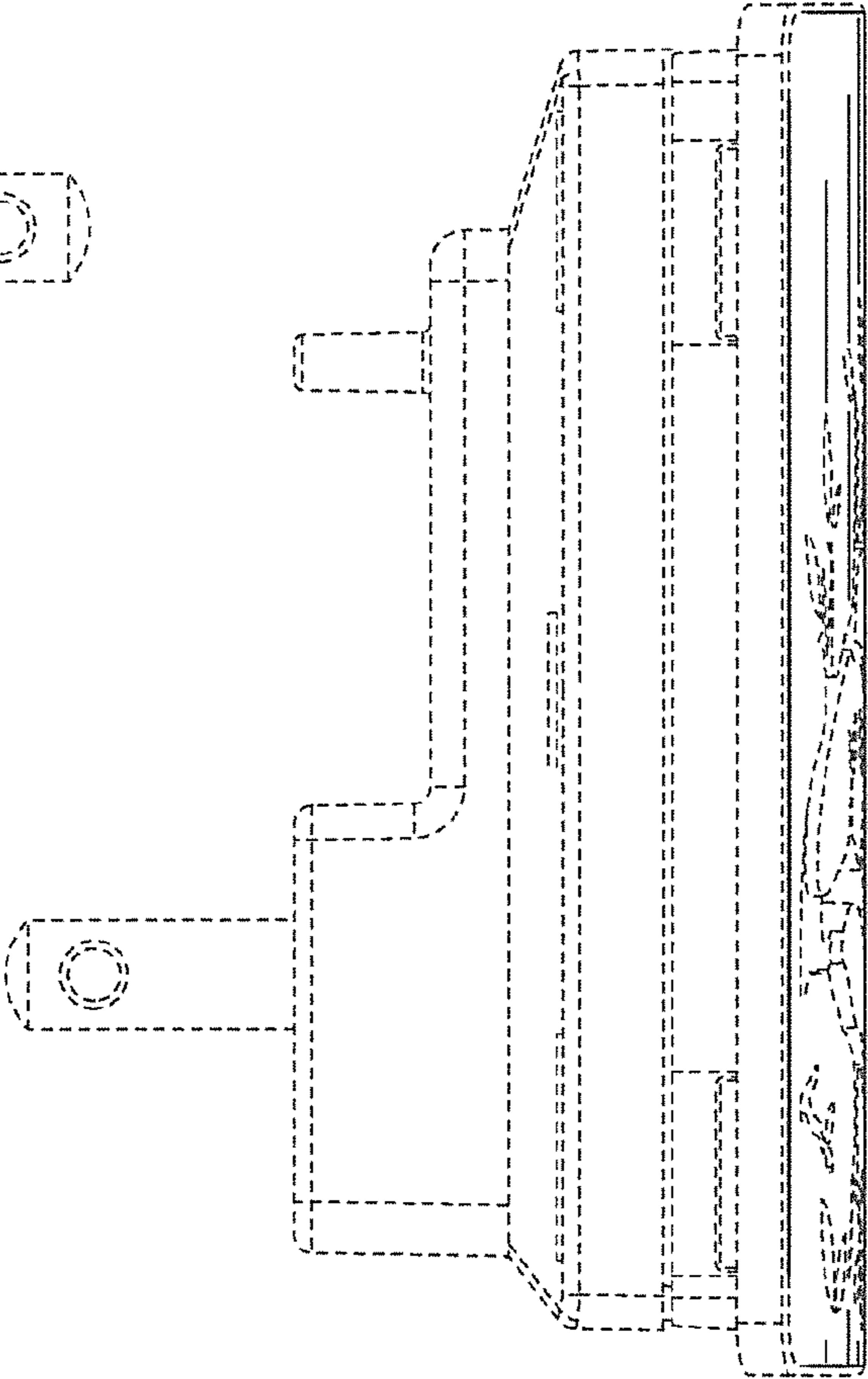


FIG. 12

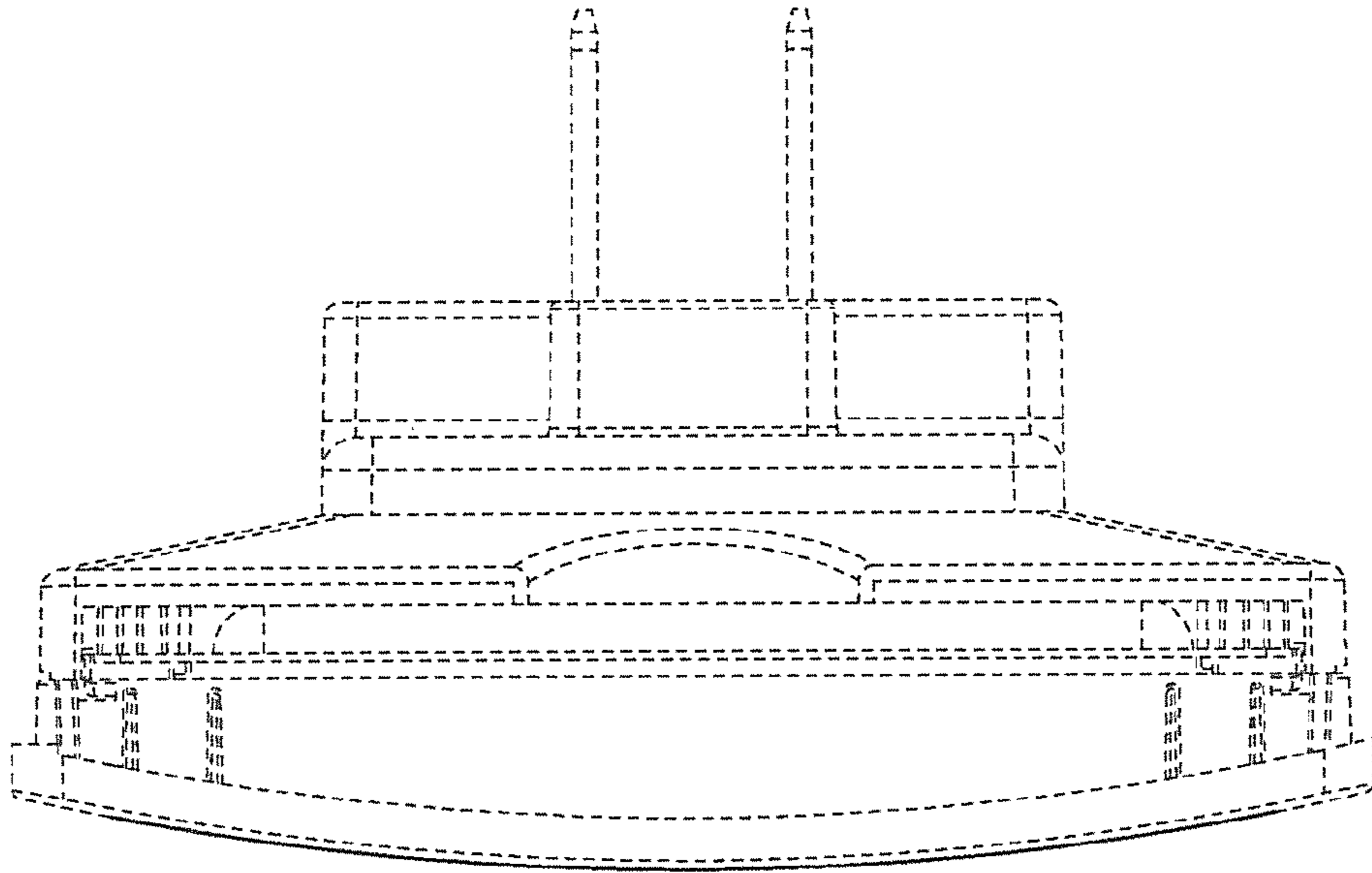


FIG. 13

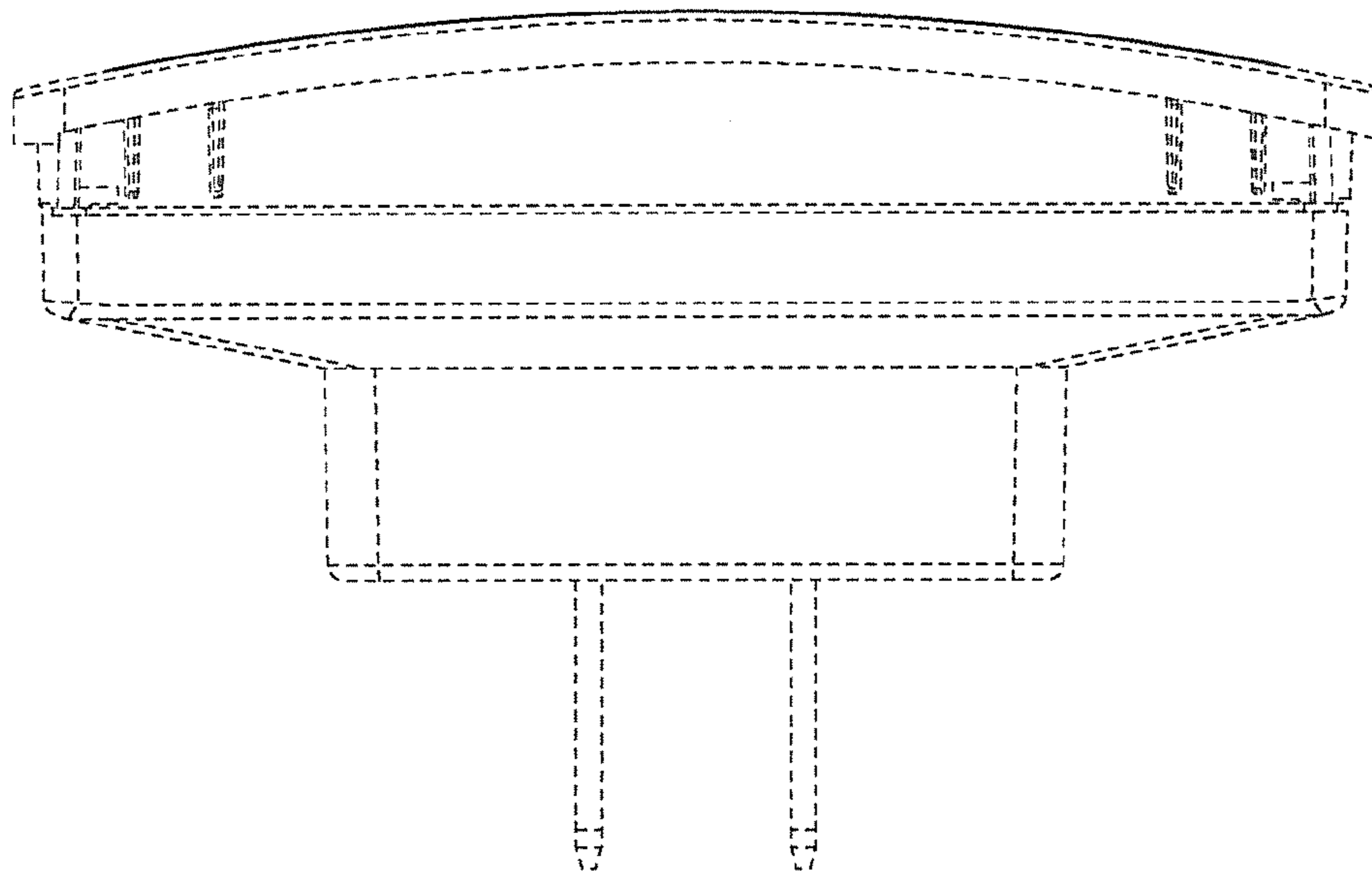


FIG. 14