



US00D748236S

(12) **United States Design Patent**  
**Shibata et al.**

(10) **Patent No.:** **US D748,236 S**  
(45) **Date of Patent:** **\*\* Jan. 26, 2016**

(54) **HONEYCOMB FILTER**

**DESCRIPTION**

(71) Applicant: **IBIDEN CO., LTD**, Ogaki-shi, Gifu (JP)  
(72) Inventors: **Toshiaki Shibata**, Ibi-gun (JP); **Yuki Miwa**, Ibi-gun (JP)  
(73) Assignee: **IBIDEN CO., LTD**, Ogaki-shi, Gifu (JP)  
(\*\*) Term: **14 Years**  
(21) Appl. No.: **29/453,508**  
(22) Filed: **Apr. 30, 2013**  
(51) **LOC (10) Cl.** ..... **23-04**  
(52) **U.S. Cl.**  
USPC ..... **D23/365**  
(58) **Field of Classification Search**  
USPC ..... D23/365, 209, 363, 358, 386, 354, 341,  
D23/364; 55/385.3, 502, 497, 506, 505,  
55/521, 495, 422, 493, DIG. 30; 210/435,  
210/130, 136, 248, 339, 448, 452, 497.1;  
D32/31; D15/5; D25/113, 114, 115,  
D25/118  
See application file for complete search history.

(56) **References Cited**

**U.S. PATENT DOCUMENTS**

D505,194 S *	5/2005	Komori et al.	.....	D23/365
D519,197 S *	4/2006	Komori et al.	.....	D23/365
D522,117 S *	5/2006	Komori et al.	.....	D23/365
7,169,203 B2 *	1/2007	Sakamoto	.....	55/523
D538,911 S *	3/2007	Komori et al.	.....	D23/365
7,326,271 B2 *	2/2008	Kasai et al.	.....	55/523
7,524,360 B2 *	4/2009	Cheng	.....	95/273
7,550,025 B2 *	6/2009	Fukuda et al.	.....	55/523
D609,319 S *	2/2010	Ohno et al.	.....	D23/365

(Continued)

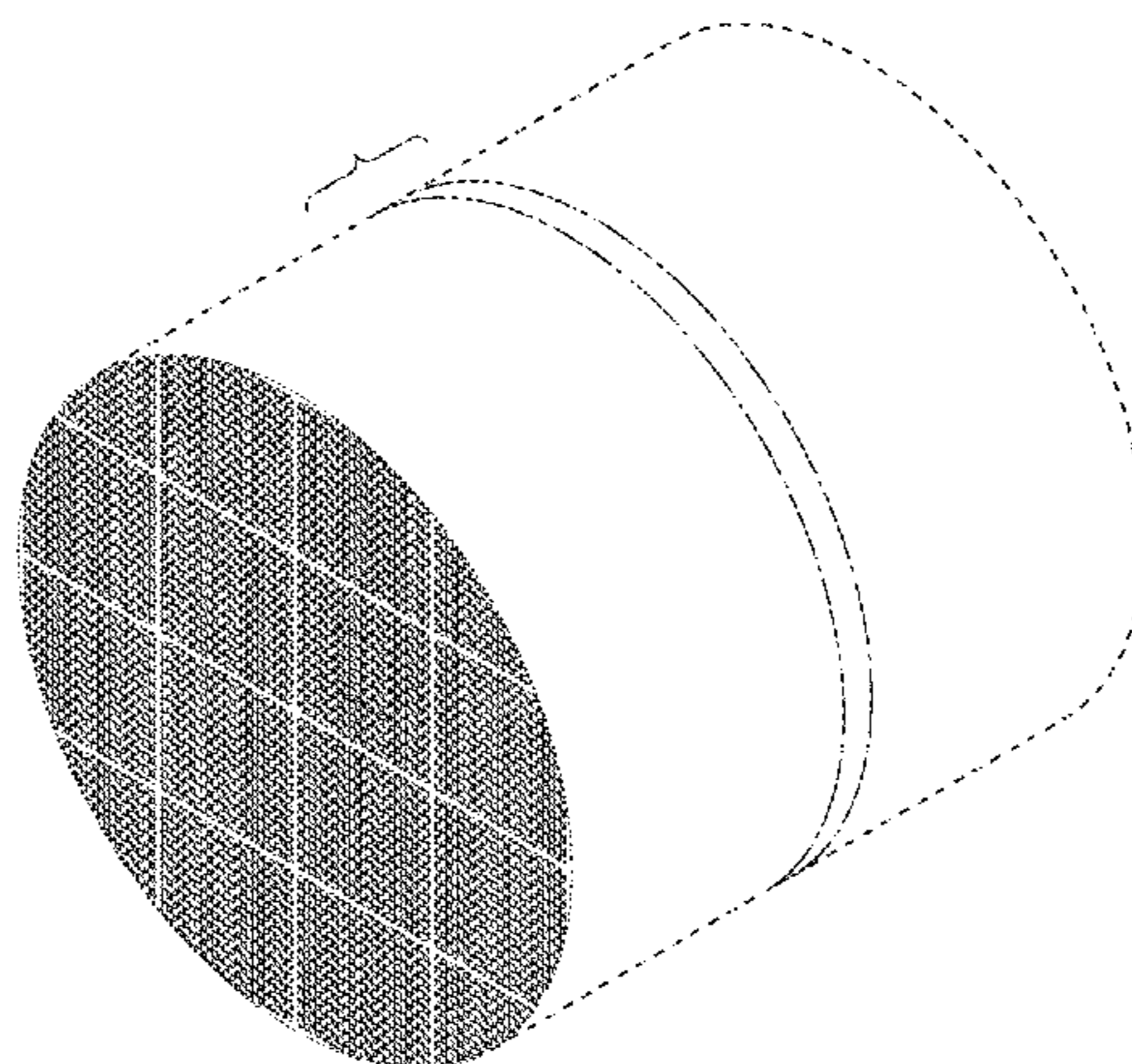
*Primary Examiner* — David Muller  
(74) *Attorney, Agent, or Firm* — Banner & Witcoff, Ltd.

(57) **CLAIM**

The ornamental design for a honeycomb filter, as shown and described.

FIG. 1 is a perspective view of a first embodiment of a honeycomb filter showing our new design;  
FIG. 2 is a front view thereof;  
FIG. 3 is a rear view of thereof;  
FIG. 4 is a right side view thereof;  
FIG. 5 is a top plan view thereof;  
FIG. 6 is an enlarged view of a portion defined by the intersection of lines 6-6 and lines 8-8 in FIG. 2 and line 6-8 in FIG. 4;  
FIG. 7 is an enlarged view of a portion defined by the intersection of lines 7-7 and lines 9-9 in FIG. 3 and line 7-9 in FIG. 4;  
FIG. 8 is a partially enlarged perspective view at 8 in FIG. 2;  
FIG. 9 is a partially enlarged perspective view at 9 in FIG. 3;  
FIG. 10 is a perspective view of the honeycomb filter of FIG. 1 shown in a different environment;  
FIG. 11 is a front view thereof;  
FIG. 12 is a rear view of thereof;  
FIG. 13 is a right side view thereof;  
FIG. 14 is a top plan view thereof;  
FIG. 15 is an enlarged view of a portion defined by the intersection of lines 15-15 and 17-17 in FIG. 11 and line 15-17 in FIG. 13;  
FIG. 16 is an enlarged view of a portion defined by the intersection of lines 16-16 and 18-18 in FIG. 12 and line 16-18 in FIG. 13;  
FIG. 17 is a partially enlarged perspective view at 17 in FIG. 11; and,  
FIG. 18 is a partially enlarged perspective view at 18 in FIG. 12.  
The filter is shown with a symbolic break in length. The appearance of any portion of the article between the break lines forms no part of the claimed design. The broken lines in the drawings represent the portions of the design that form no part of the claimed design.

**1 Claim, 18 Drawing Sheets**



# US D748,236 S

Page 2

---

(56)

## References Cited

### U.S. PATENT DOCUMENTS

7,811,351 B2 *	10/2010	Oshimi .....	55/523
8,231,701 B2 *	7/2012	Beall et al. ....	55/523
8,722,000 B2 *	5/2014	Boorse .....	423/213.2
7,691,167 B2 *	4/2010	Tokumaru .....	55/523

\* cited by examiner

Fig. 1

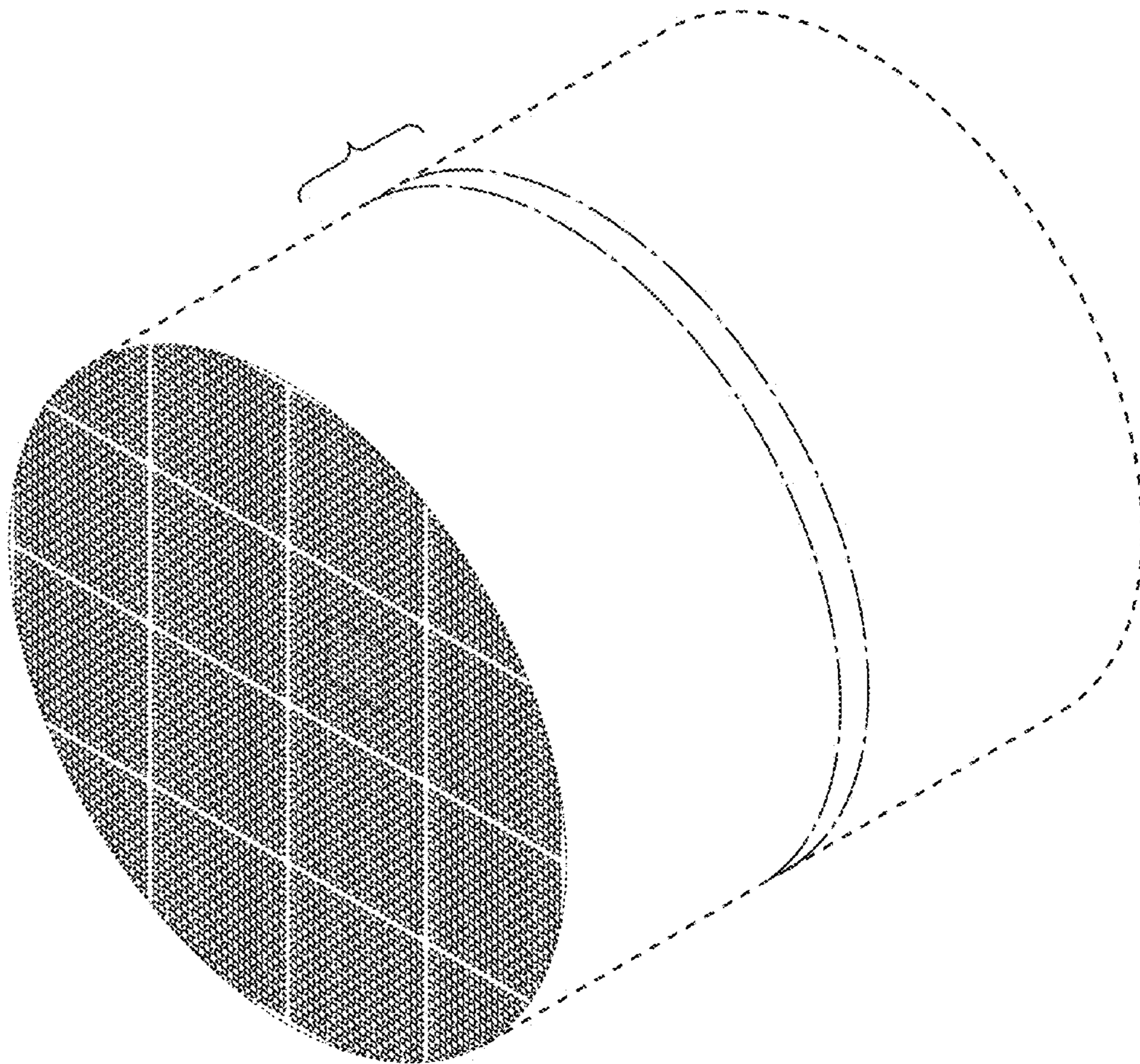




Fig. 2

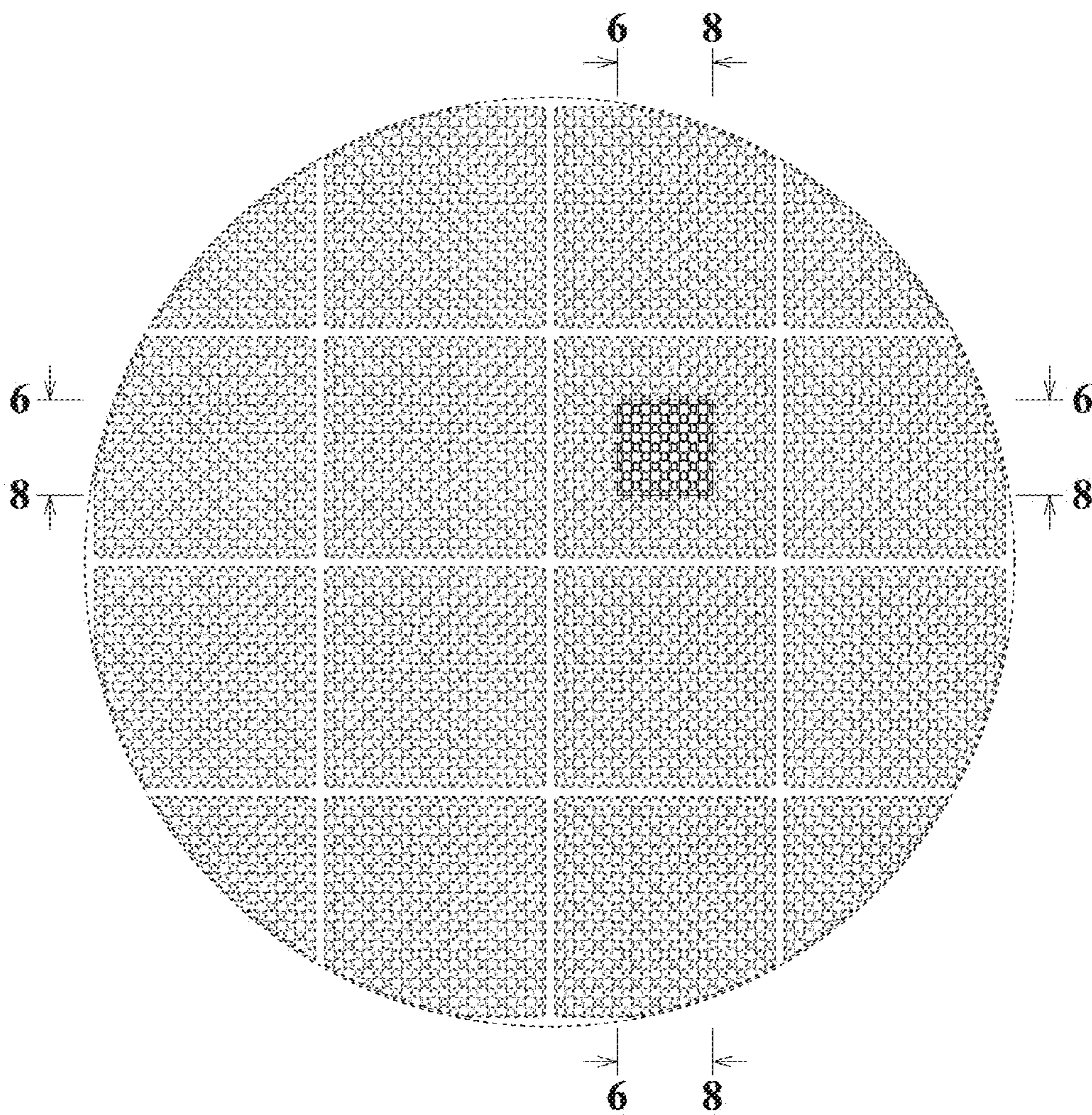




Fig. 3

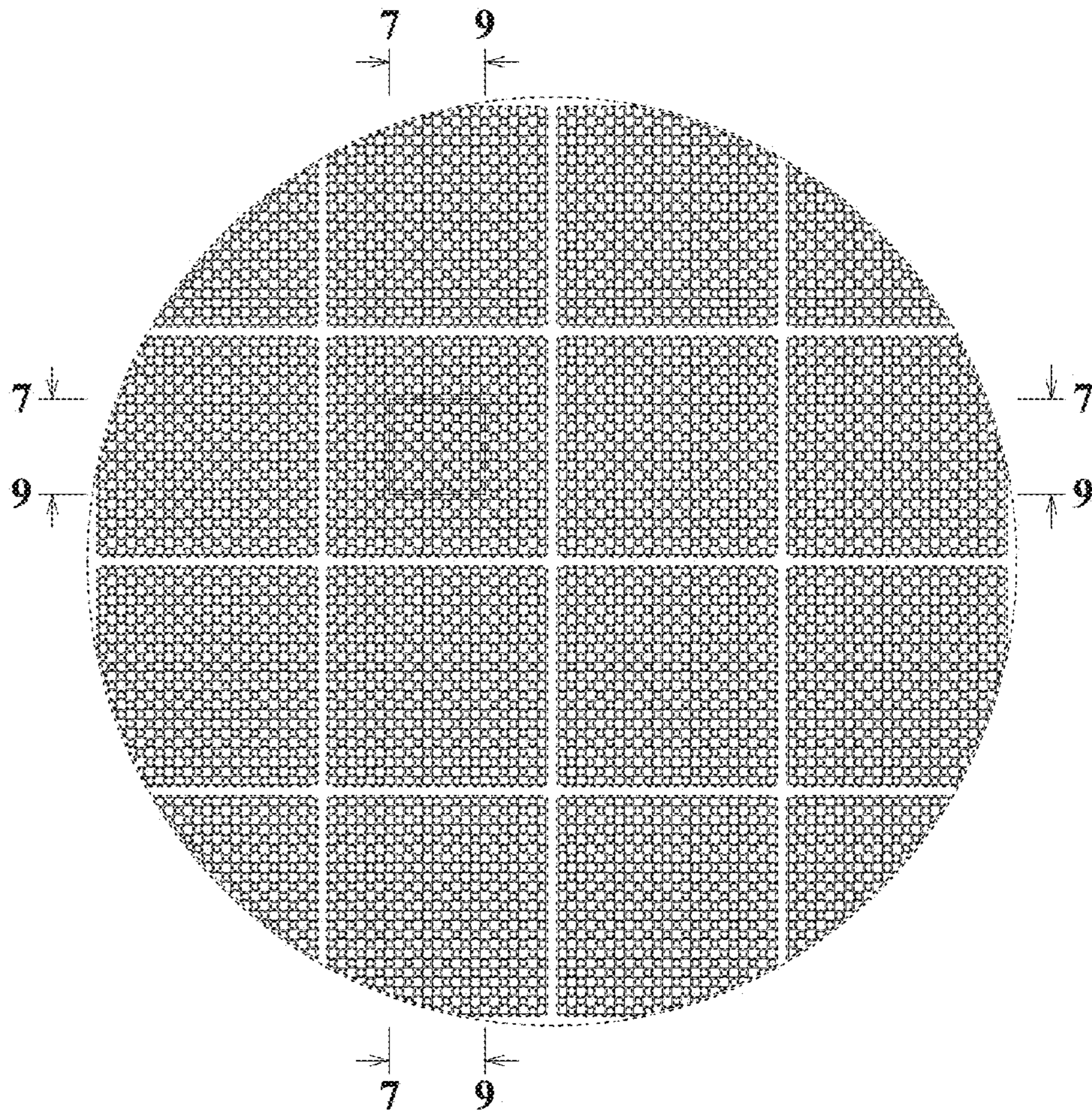


Fig. 4

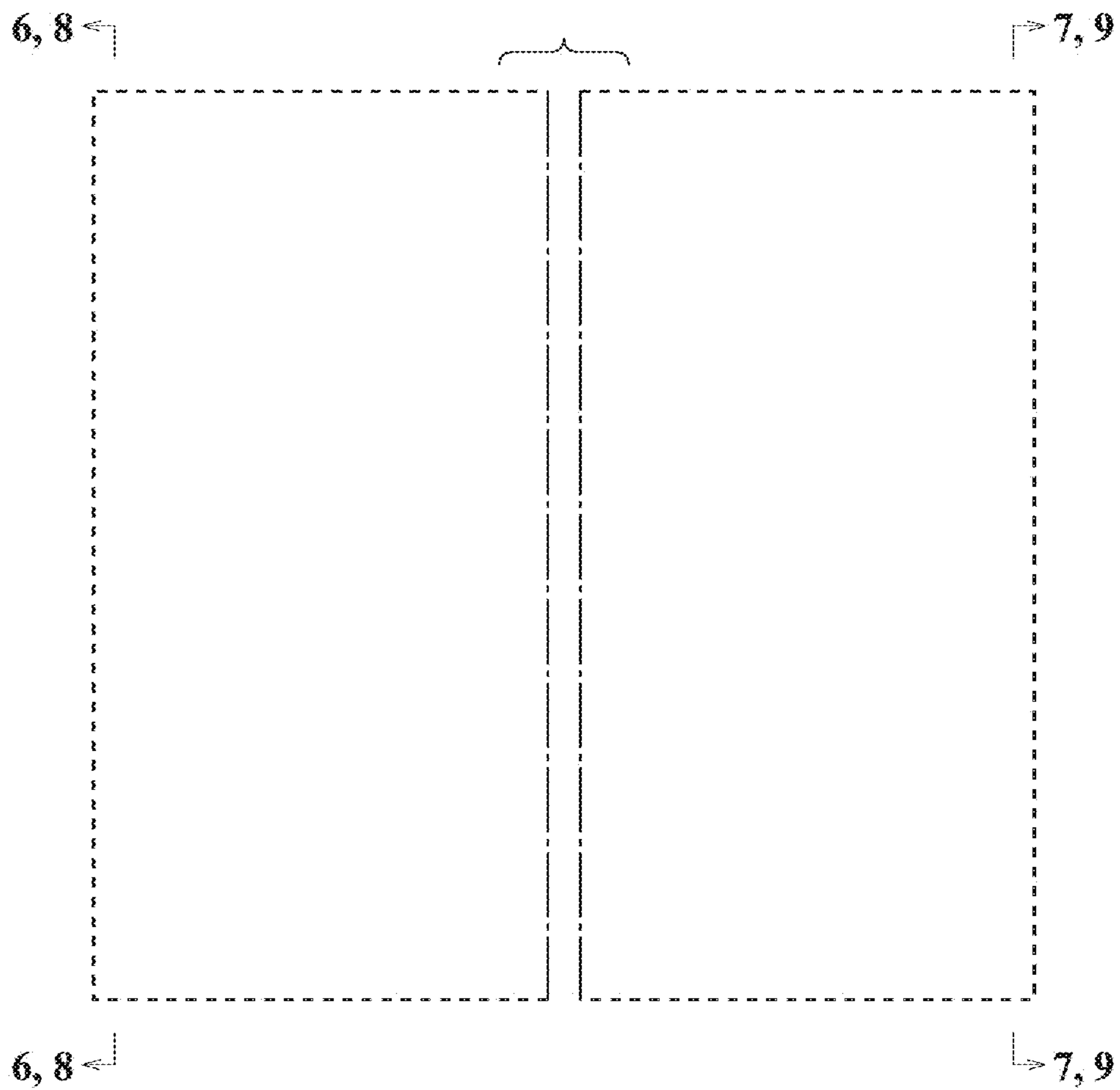


Fig. 5

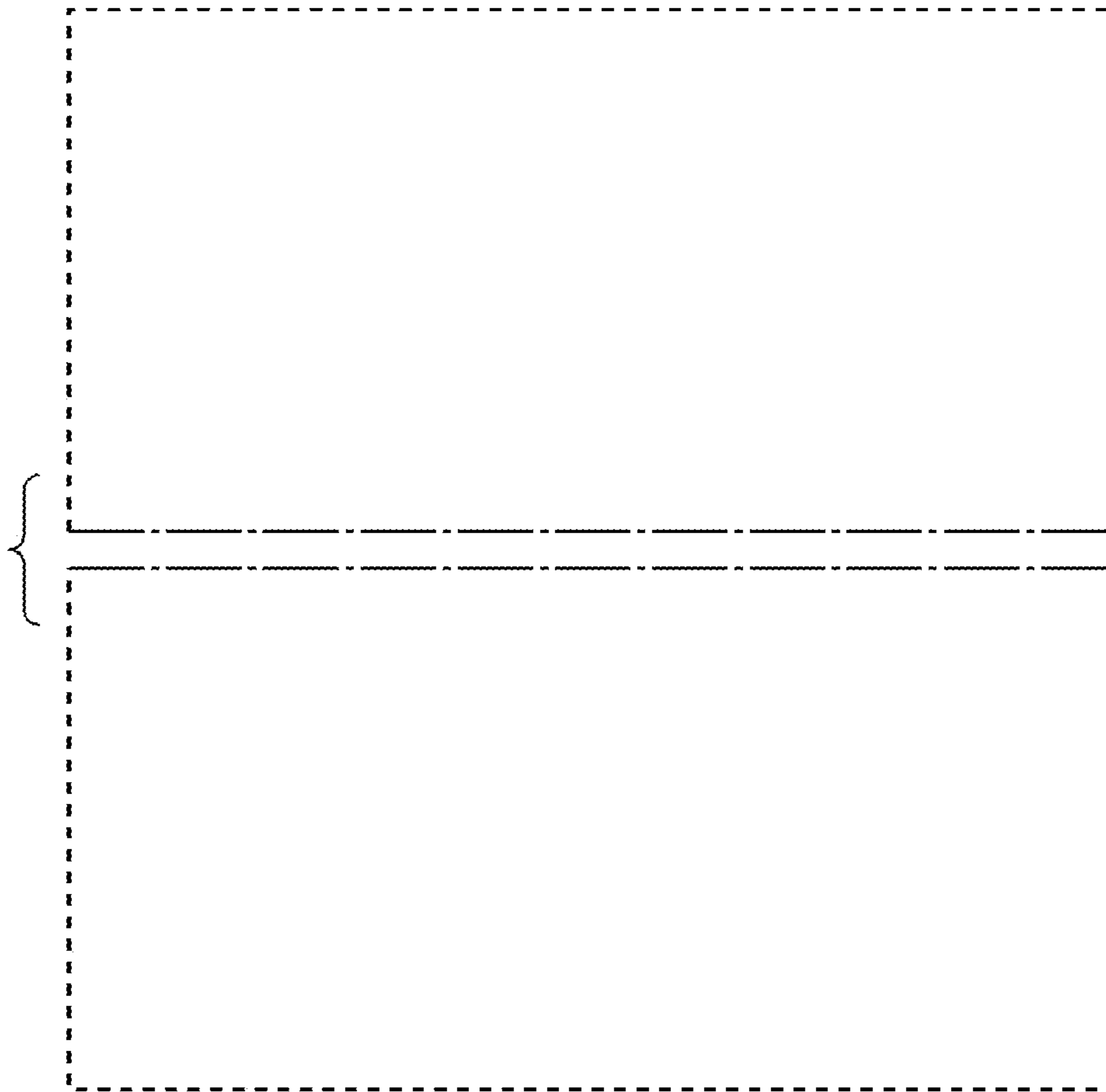


Fig. 6

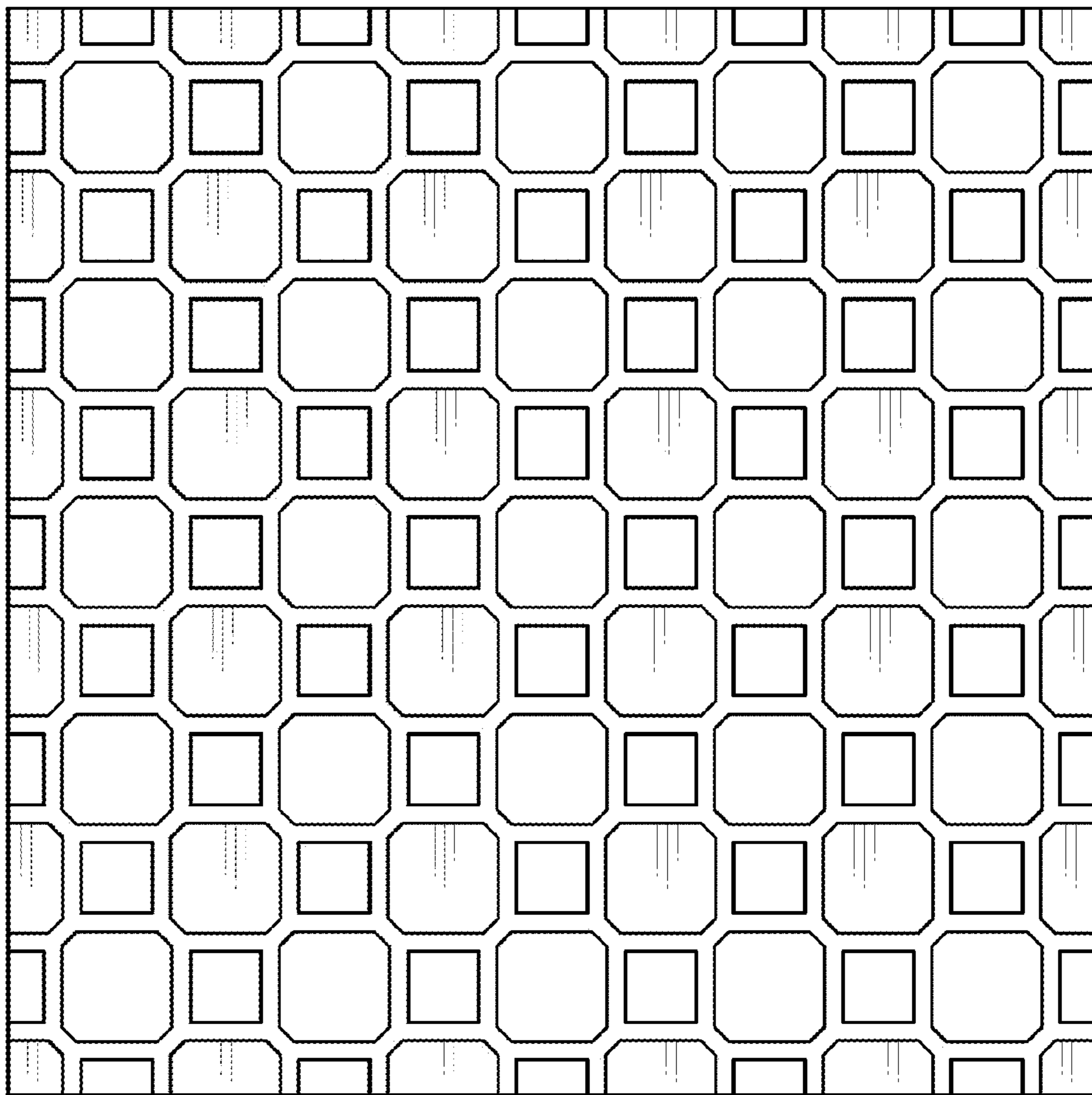




Fig. 7

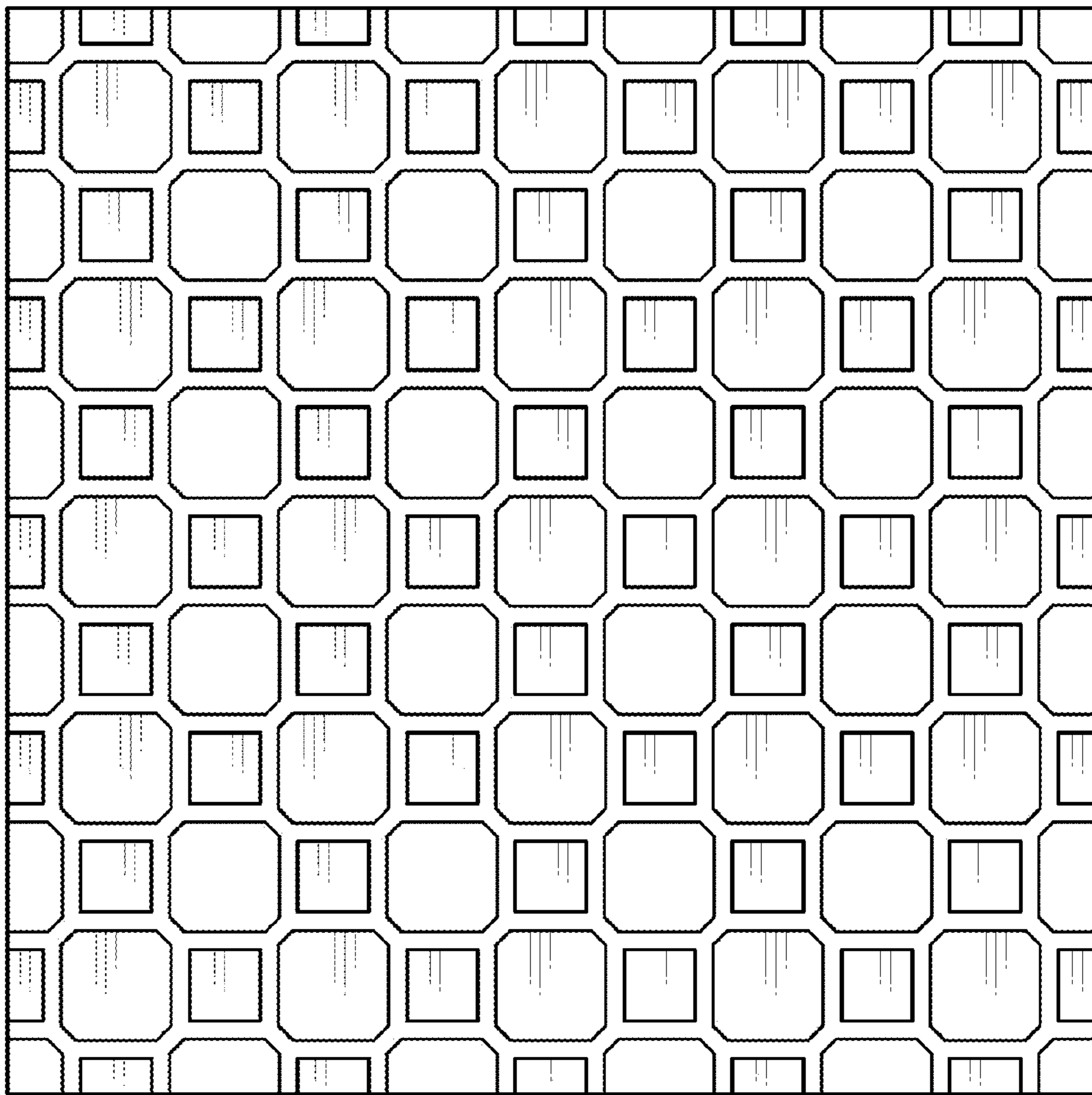


Fig. 8

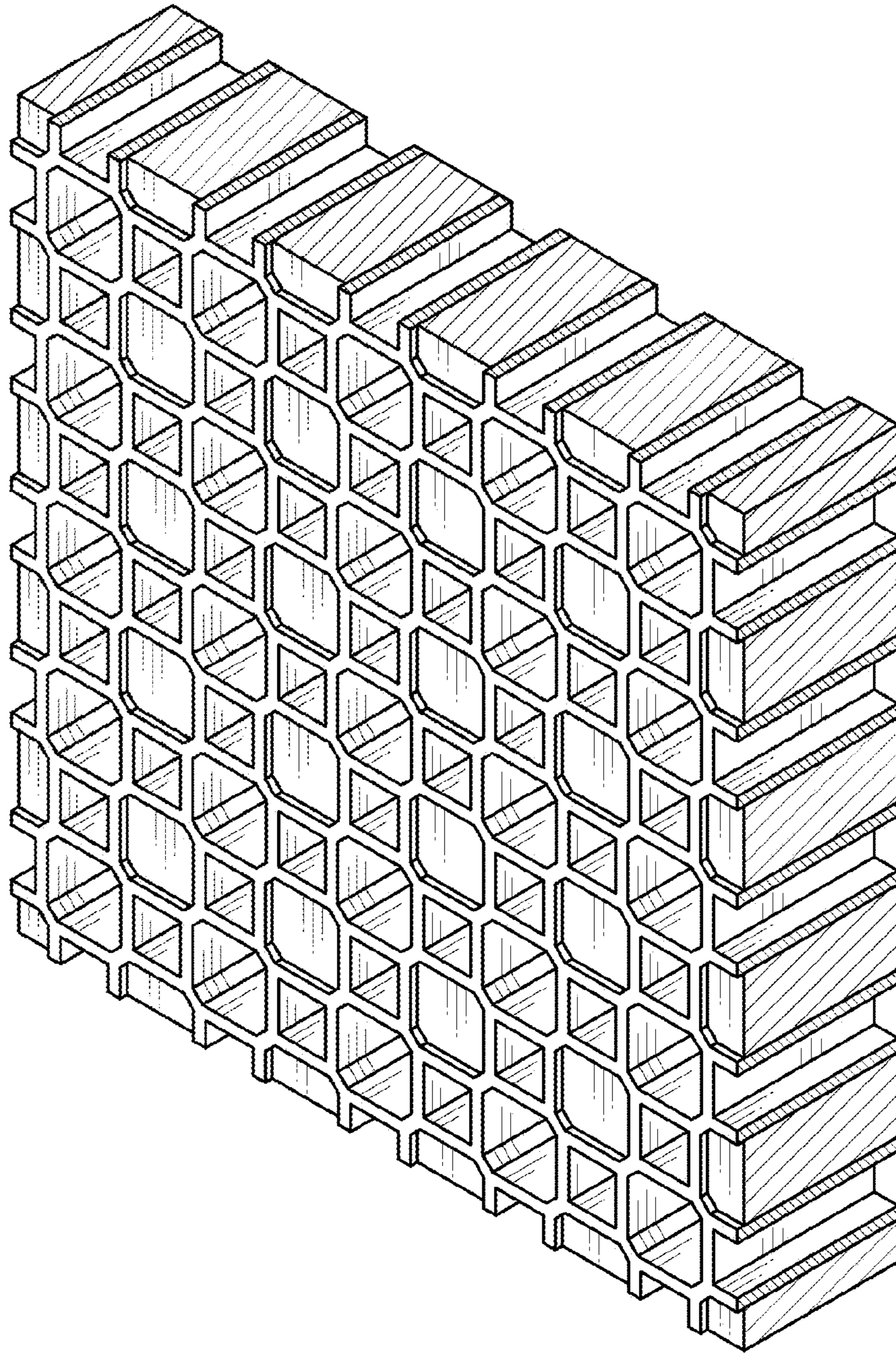




Fig. 9

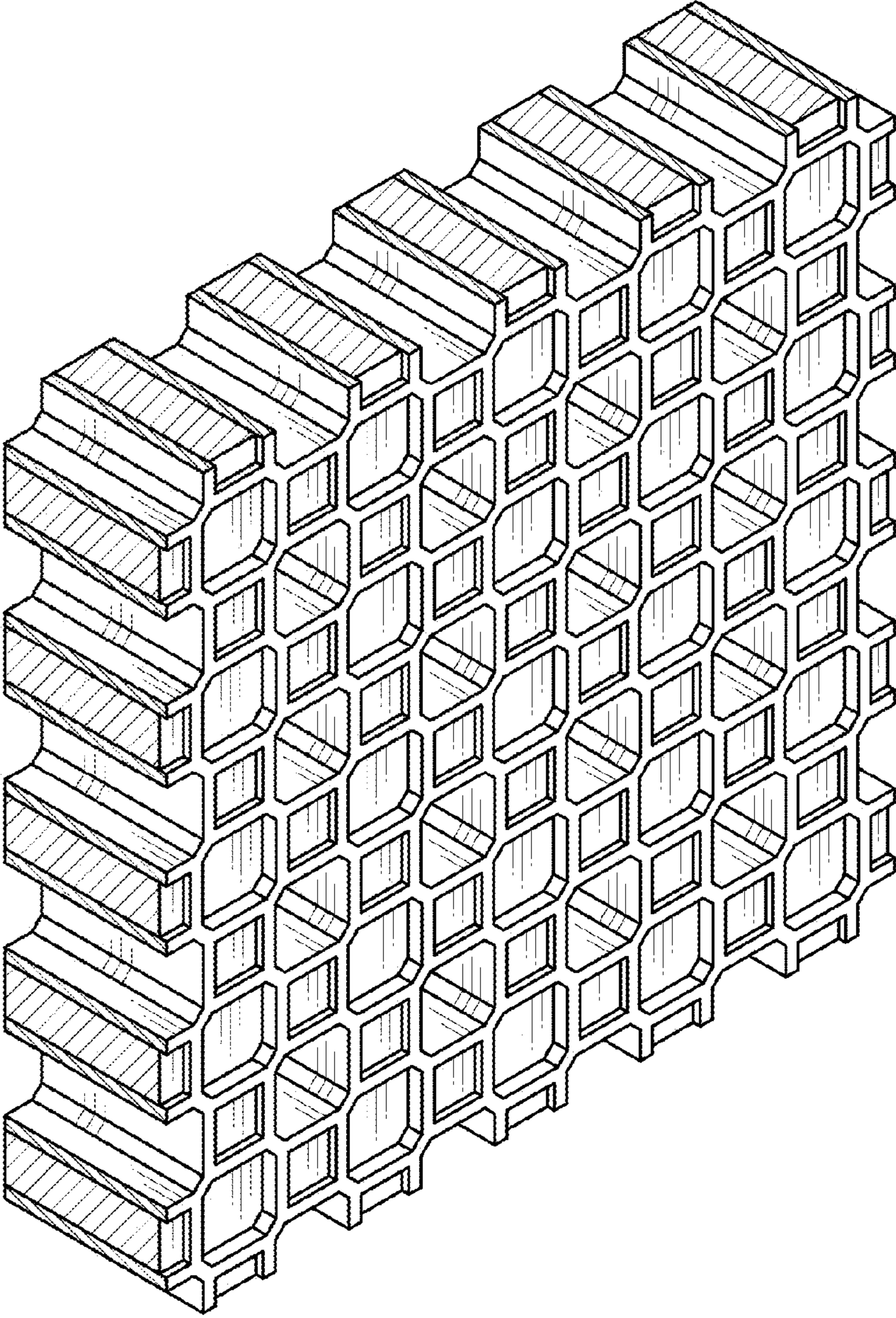




Fig. 10

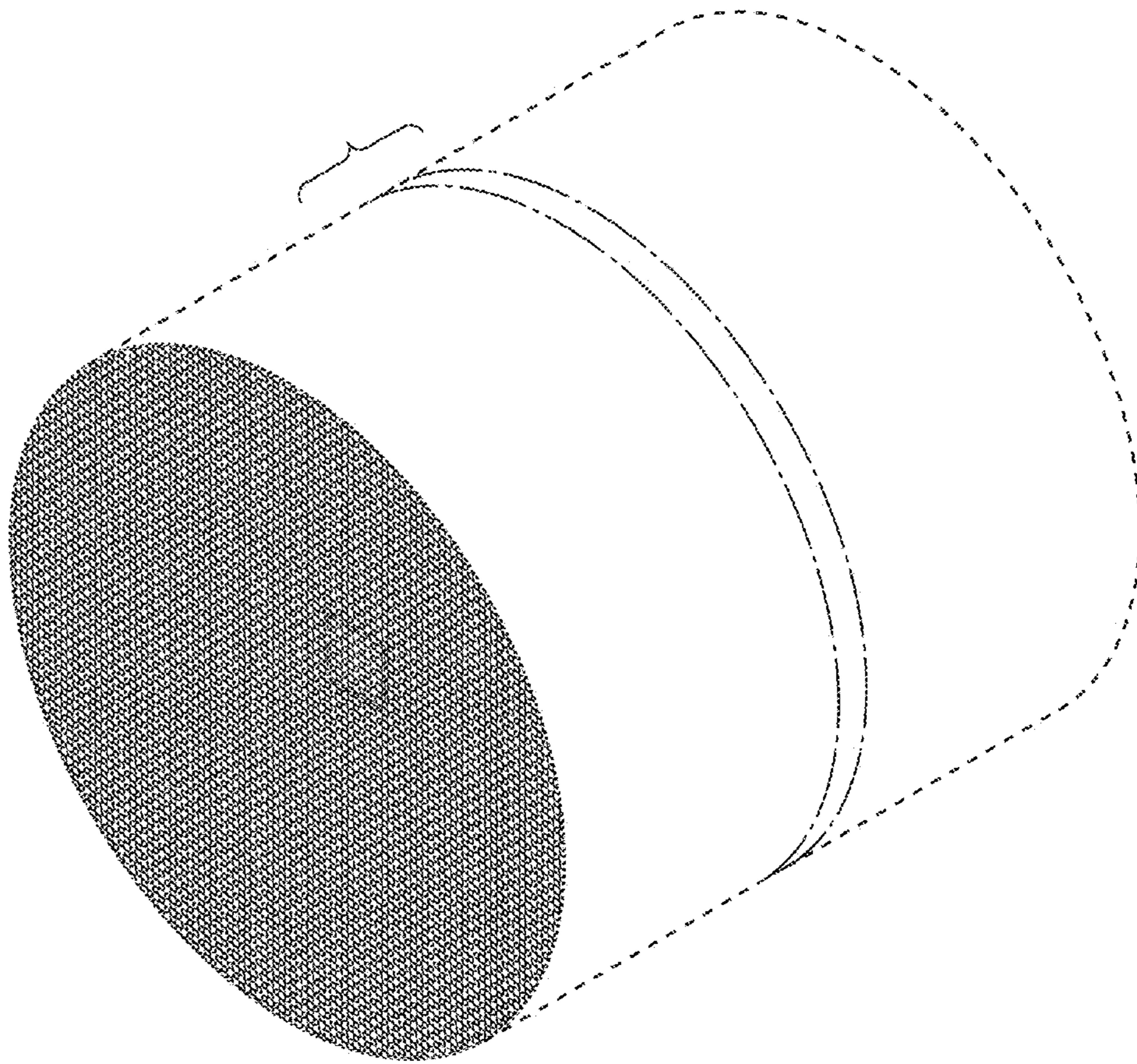




Fig. 11

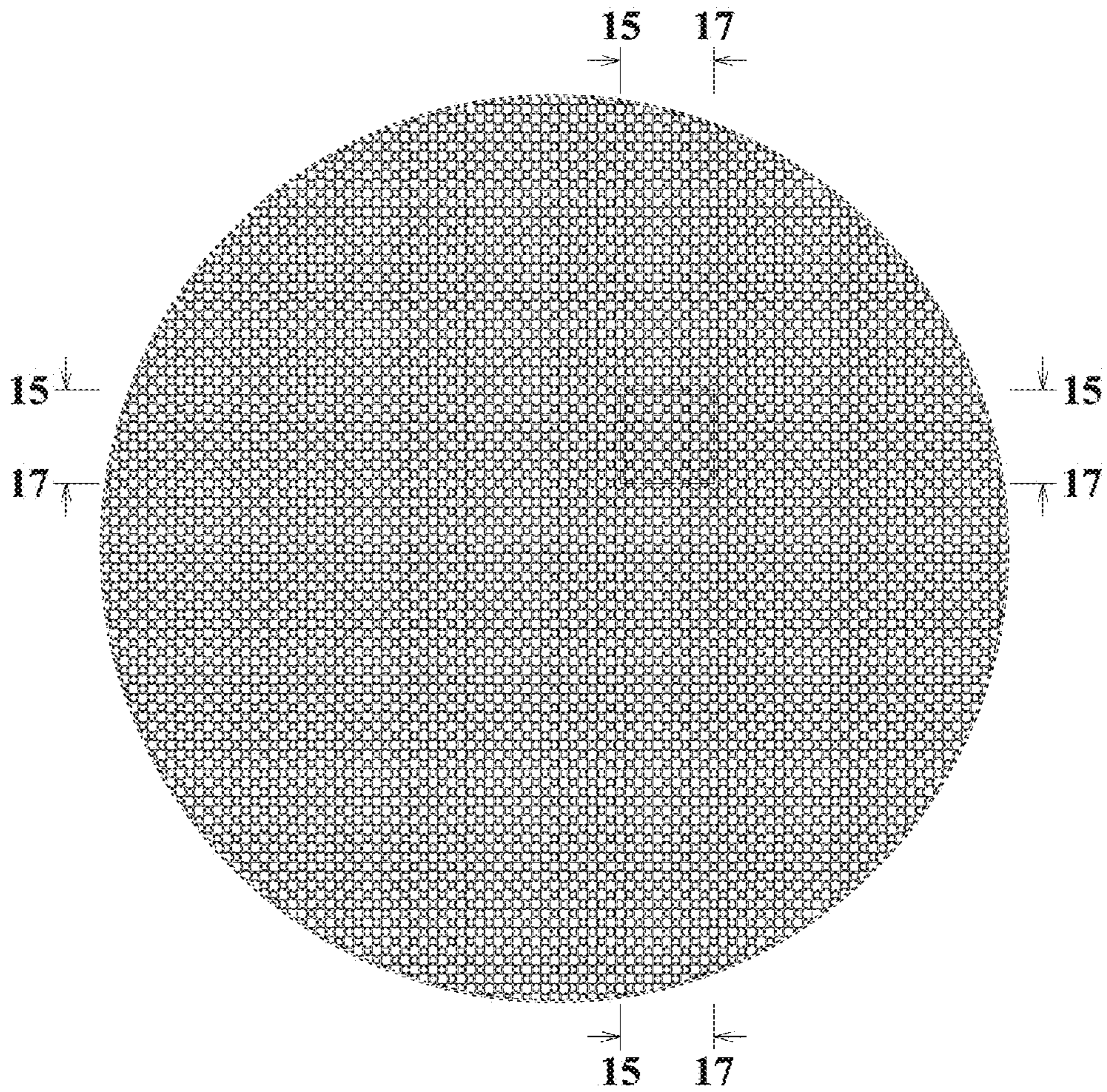




Fig. 12

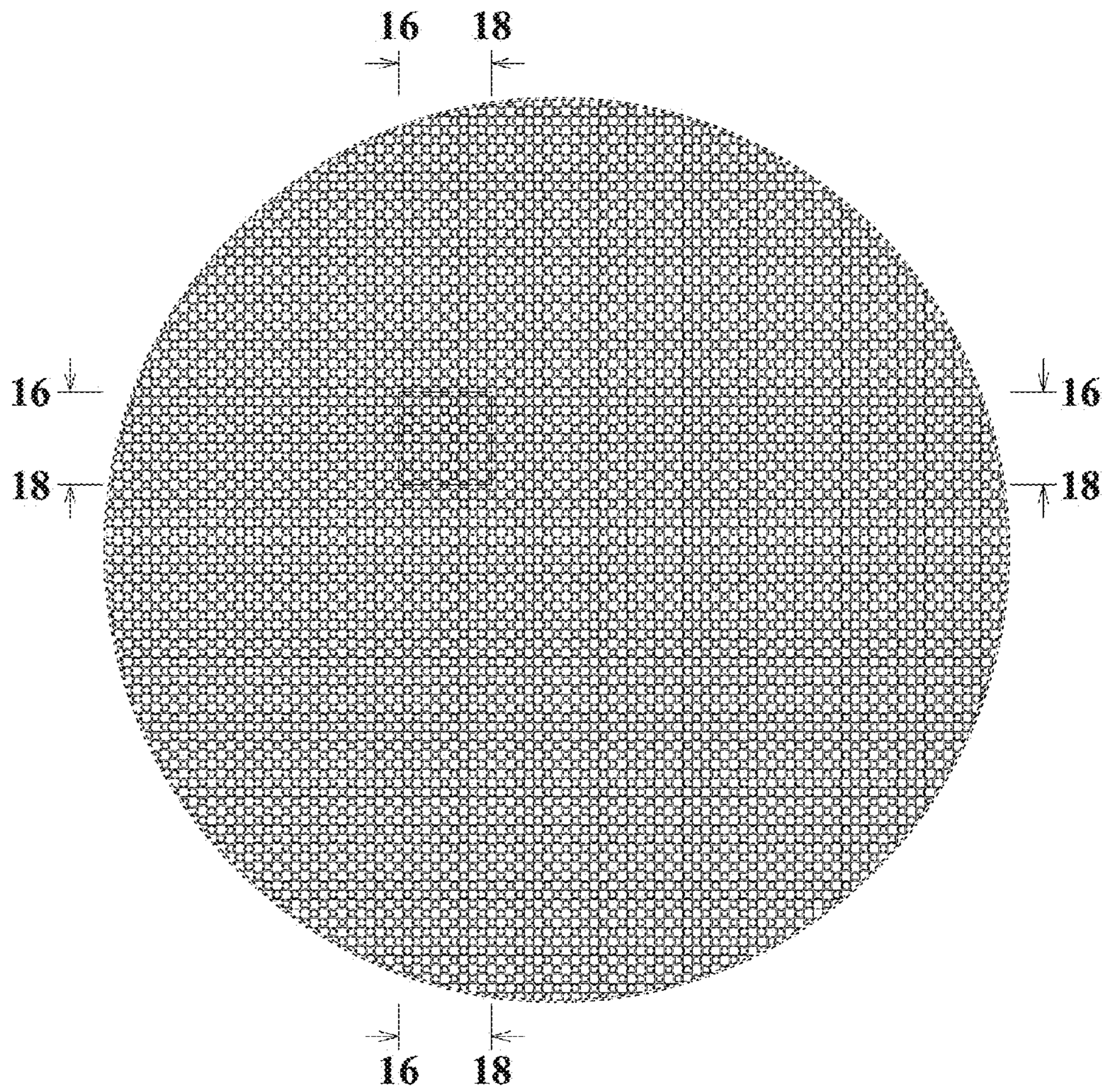




Fig. 13

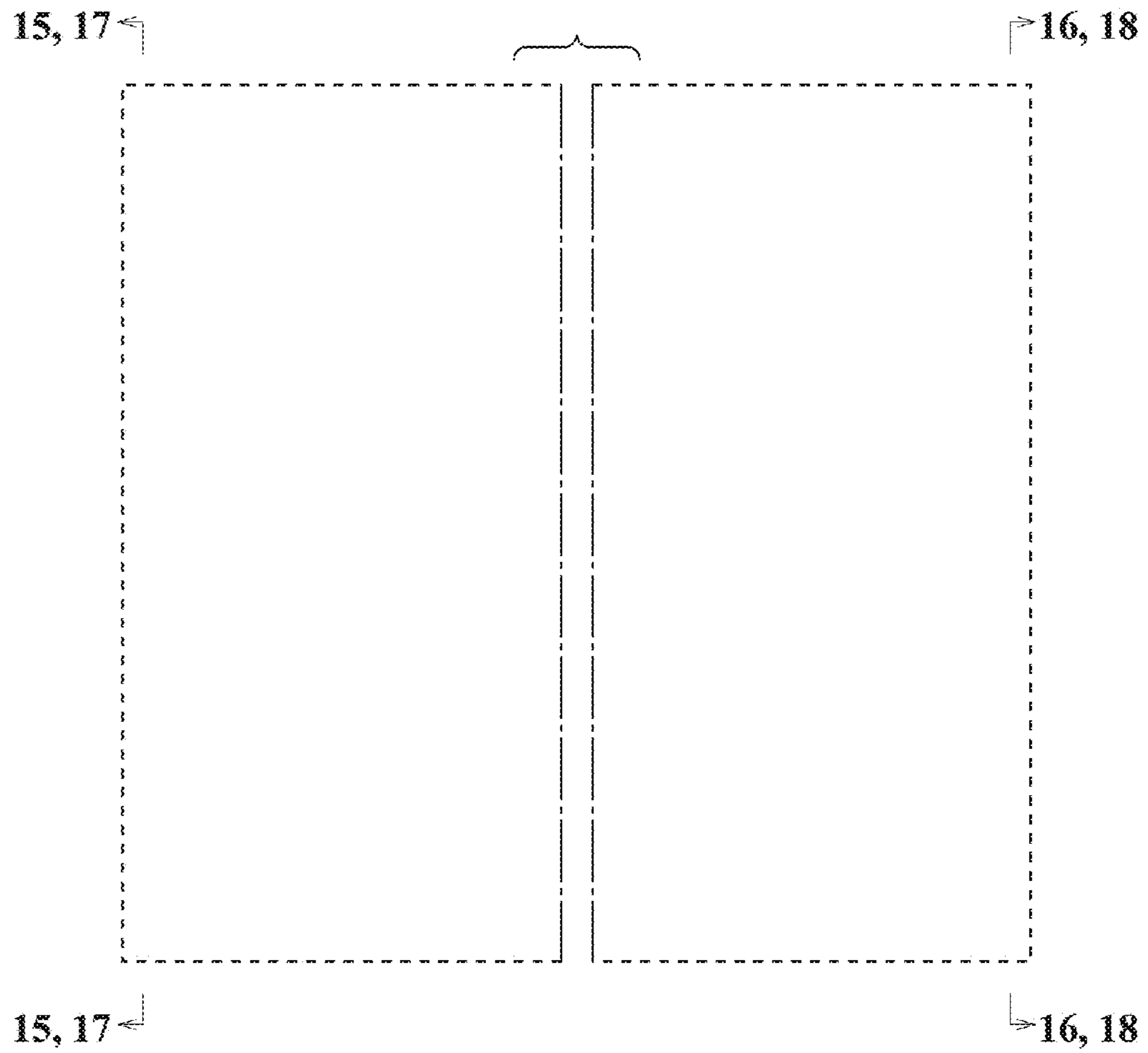


Fig. 14

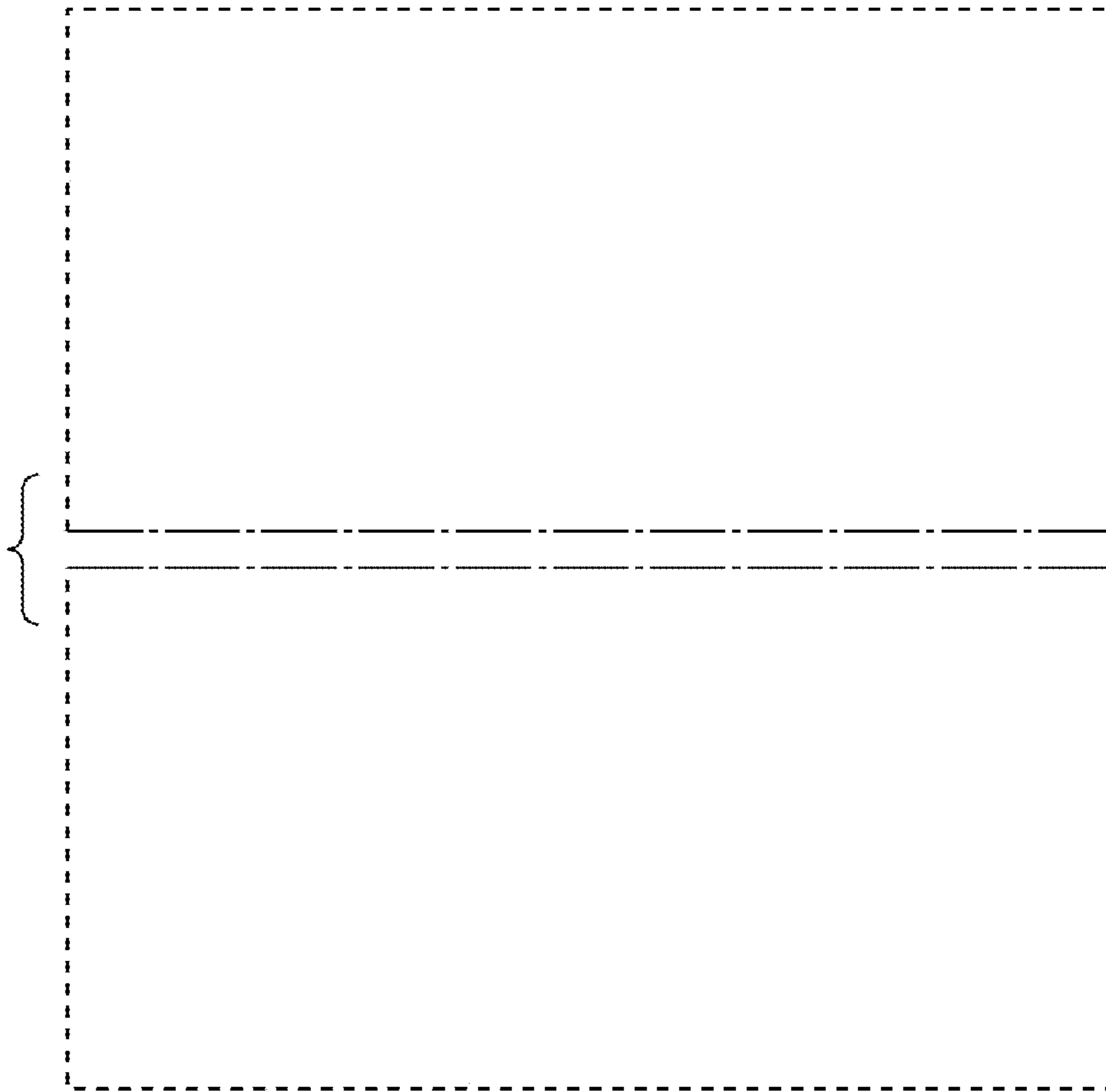


Fig. 15

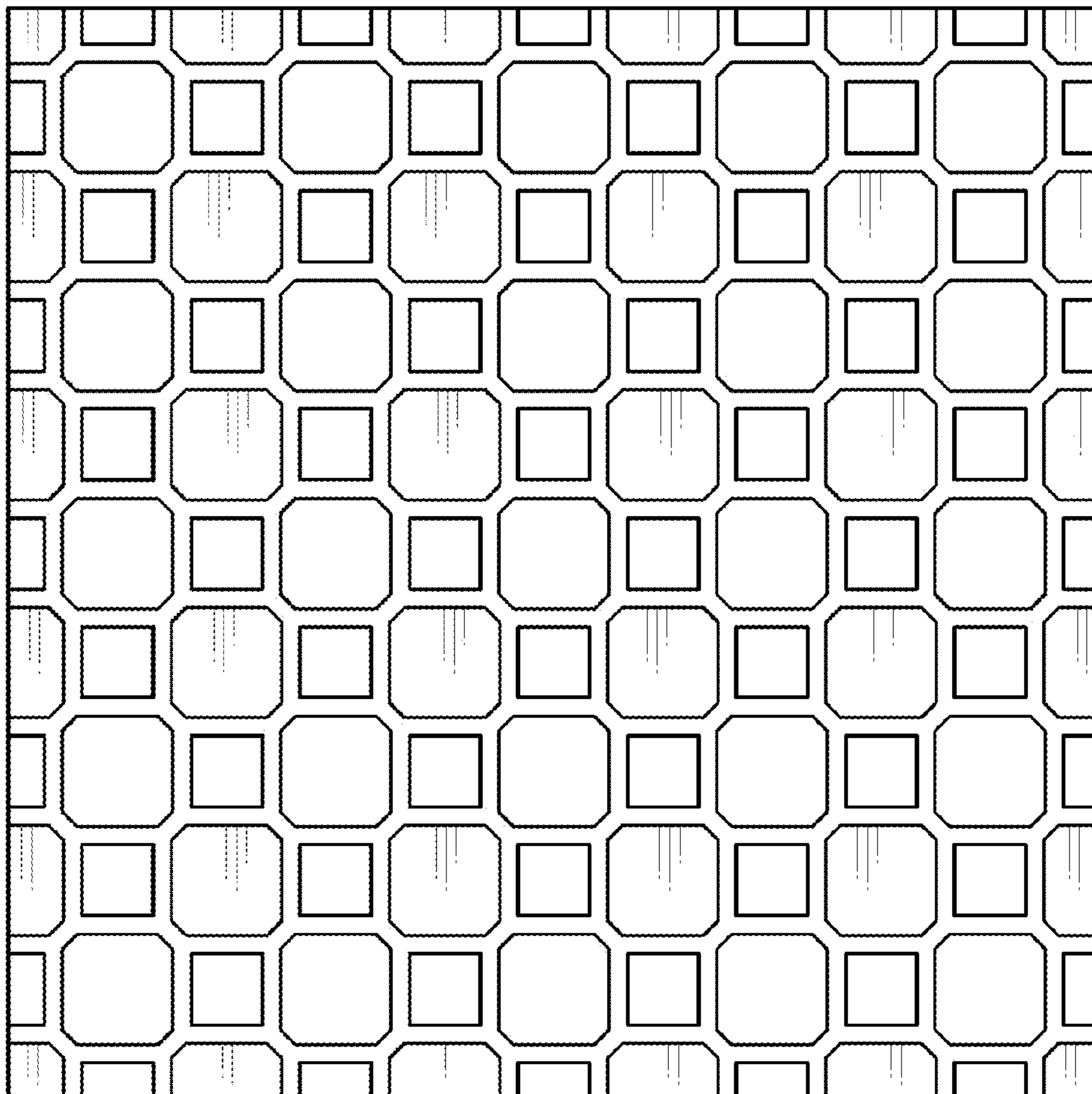




Fig. 16

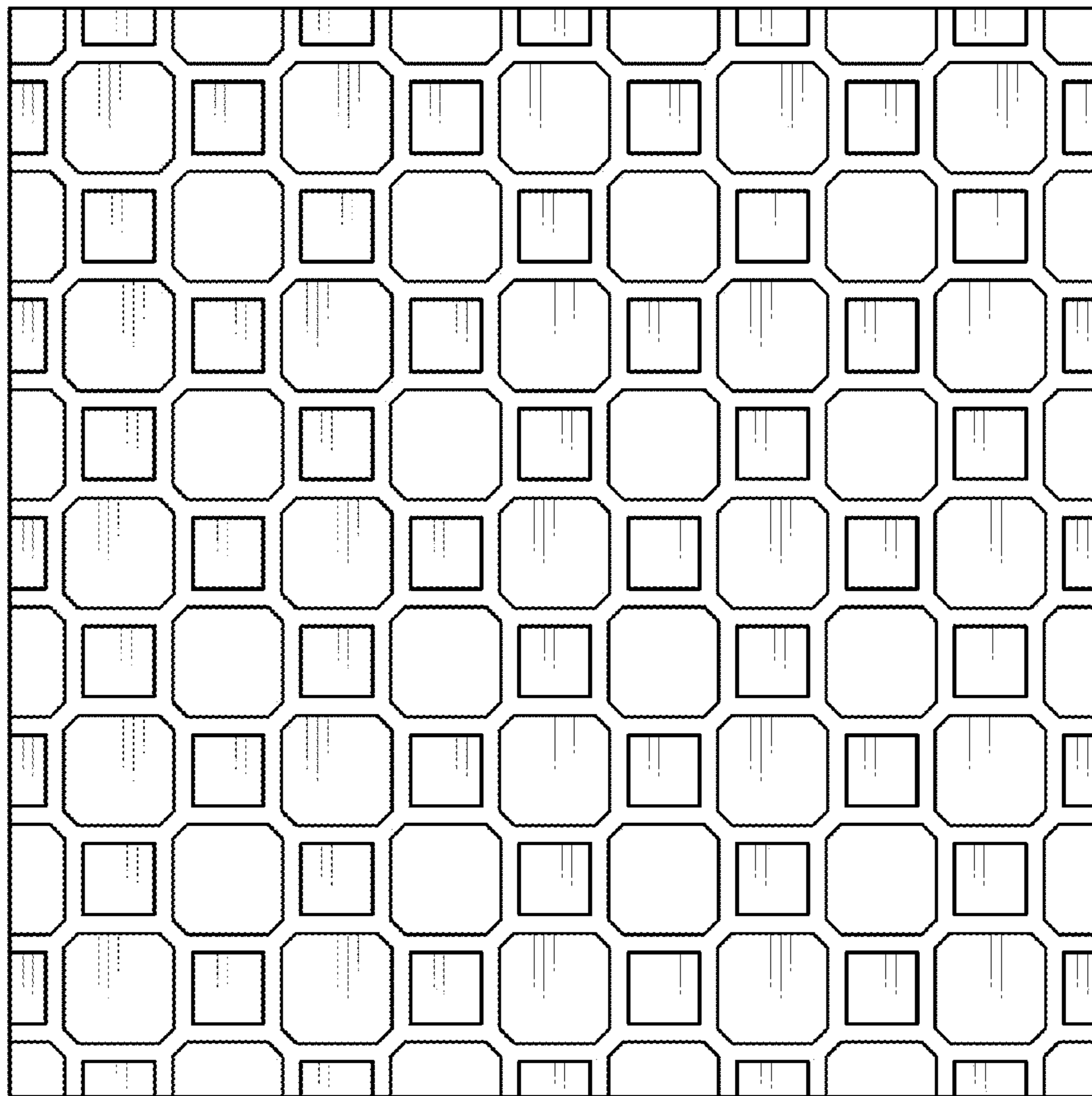


Fig. 17

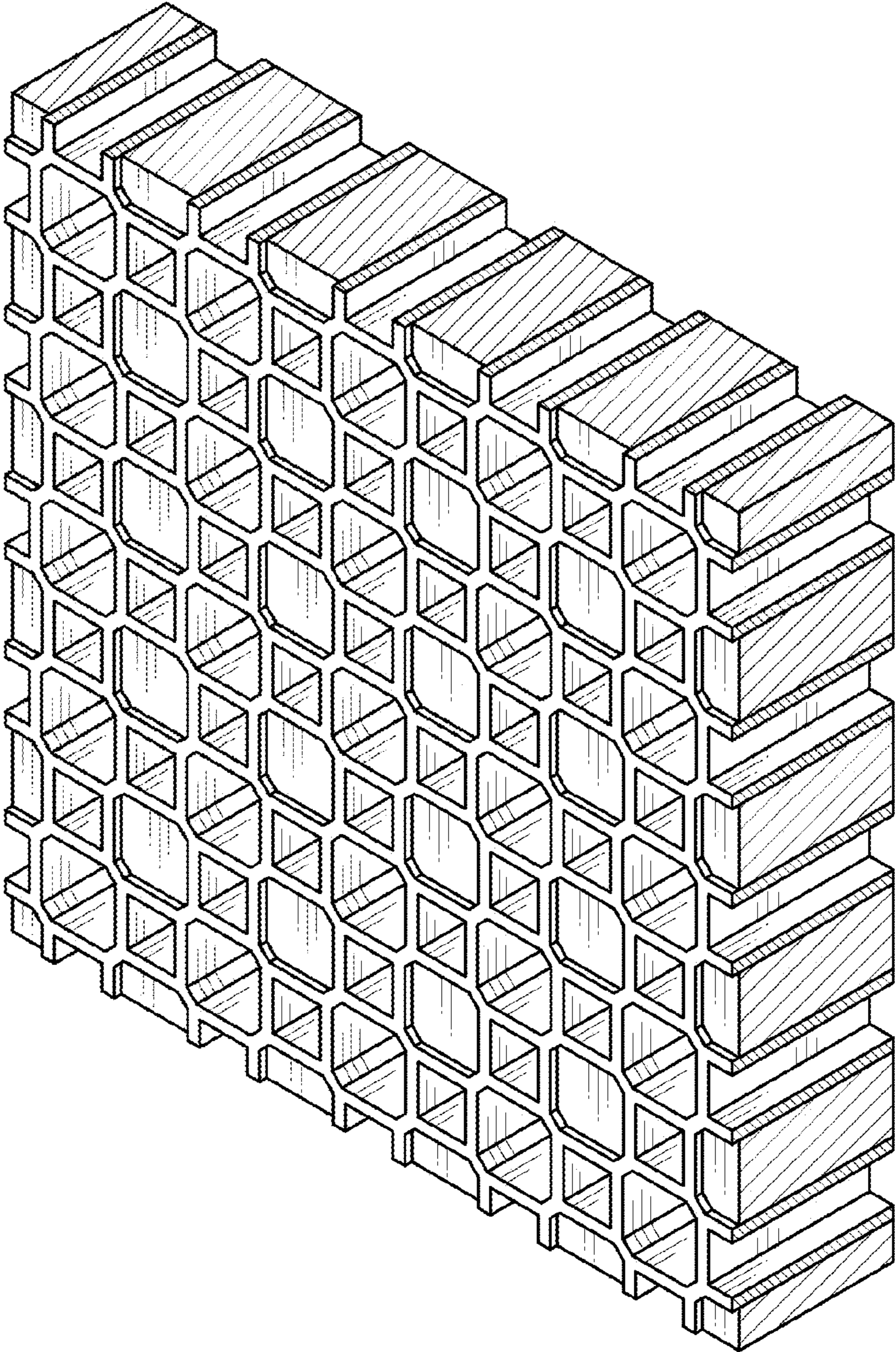




Fig. 18

