



US00D748234S

(12) **United States Design Patent**  
**Choi**

(10) **Patent No.:** **US D748,234 S**  
(45) **Date of Patent:** **\*\* \*Jan. 26, 2016**

(54) **DISPLAY SCREEN FOR AN AIR PURIFIER**

(56) **References Cited**

(71) Applicant: **Coway Co., LTD.**, Gongju-si,  
Choongcheongnam-do (KR)

(72) Inventor: **Hun Jung Choi**, Goyang-si (KR)

(73) Assignee: **COWAY CO., LTD.**, Gongju-Si,  
Choongcheongnam-Do (KR)

(\*) Notice: This patent is subject to a terminal disclaimer.

(\*\*) Term: **14 Years**

(21) Appl. No.: **29/440,186**

(22) Filed: **Dec. 19, 2012**

(30) **Foreign Application Priority Data**

Jun. 19, 2012 (KR) ..... 30-2012-0029816

(51) **LOC (10) Cl.** ..... **23-03**

(52) **U.S. Cl.**  
USPC ..... **D23/364**

(58) **Field of Classification Search**  
USPC ..... D23/355, 359, 360, 364, 365, 386, 392,  
D23/393, 401; D6/663, 667, 675; D5/1-3  
CPC ..... A61L 9/00; A61L 9/02; A61L 9/03;  
A61L 9/032; A61L 9/035; A61L 9/037;  
A61L 9/04; A61L 9/12; A61L 9/22

See application file for complete search history.

U.S. PATENT DOCUMENTS

D512,494 S *	12/2005	Haranaka .....	D23/355
D513,070 S *	12/2005	Haranaka .....	D23/355
D523,414 S *	6/2006	Kobayashi .....	D14/188
D539,883 S *	4/2007	Lee et al. ....	D23/351
D557,394 S *	12/2007	Martin et al. ....	D23/355
D581,506 S *	11/2008	Kelnhofer .....	D23/360
D583,450 S *	12/2008	Choi .....	D23/364
D625,398 S *	10/2010	Choi .....	D23/364
D656,230 S *	3/2012	Robinson et al. ....	D23/363
D664,636 S *	7/2012	Robinson et al. ....	D23/360
D700,959 S *	3/2014	Sickinger et al. ....	D23/355
D705,918 S *	5/2014	Robinson et al. ....	D23/360
2009/0293888 A1 *	12/2009	Williams et al. ....	131/178
2009/0293892 A1 *	12/2009	Williams et al. ....	131/328

\* cited by examiner

*Primary Examiner* — Sandra Snapp

(74) *Attorney, Agent, or Firm* — McDermott Will & Emery LLP

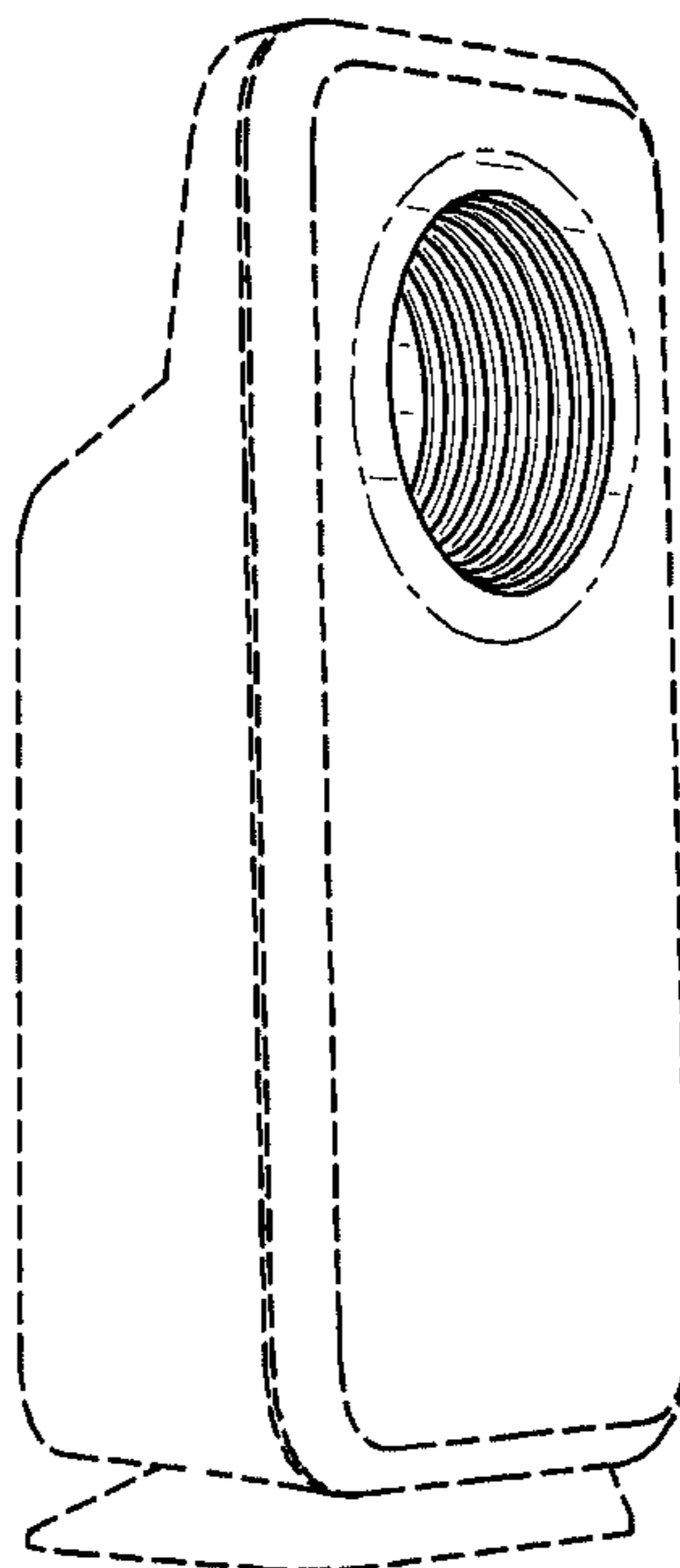
(57) **CLAIM**

The ornamental design for a display screen for an air purifier, as shown and described.

**DESCRIPTION**

FIGS. 1-7 are top perspective views of a display screen for an air purifier as an inner circular element changes its shape; FIGS. 8-14 are left perspective views of FIGS. 1-7; FIGS. 15-21 are front views of FIGS. 1-7; FIGS. 22-28 are right perspective views of FIGS. 1-7; and, FIGS. 29-35 are bottom perspective views of FIGS. 1-7. The broken lines showing various elements of a display screen for an air purifier are included for the purpose of illustrating non-claimed subject matter and form no part of the claimed design.

**1 Claim, 35 Drawing Sheets**



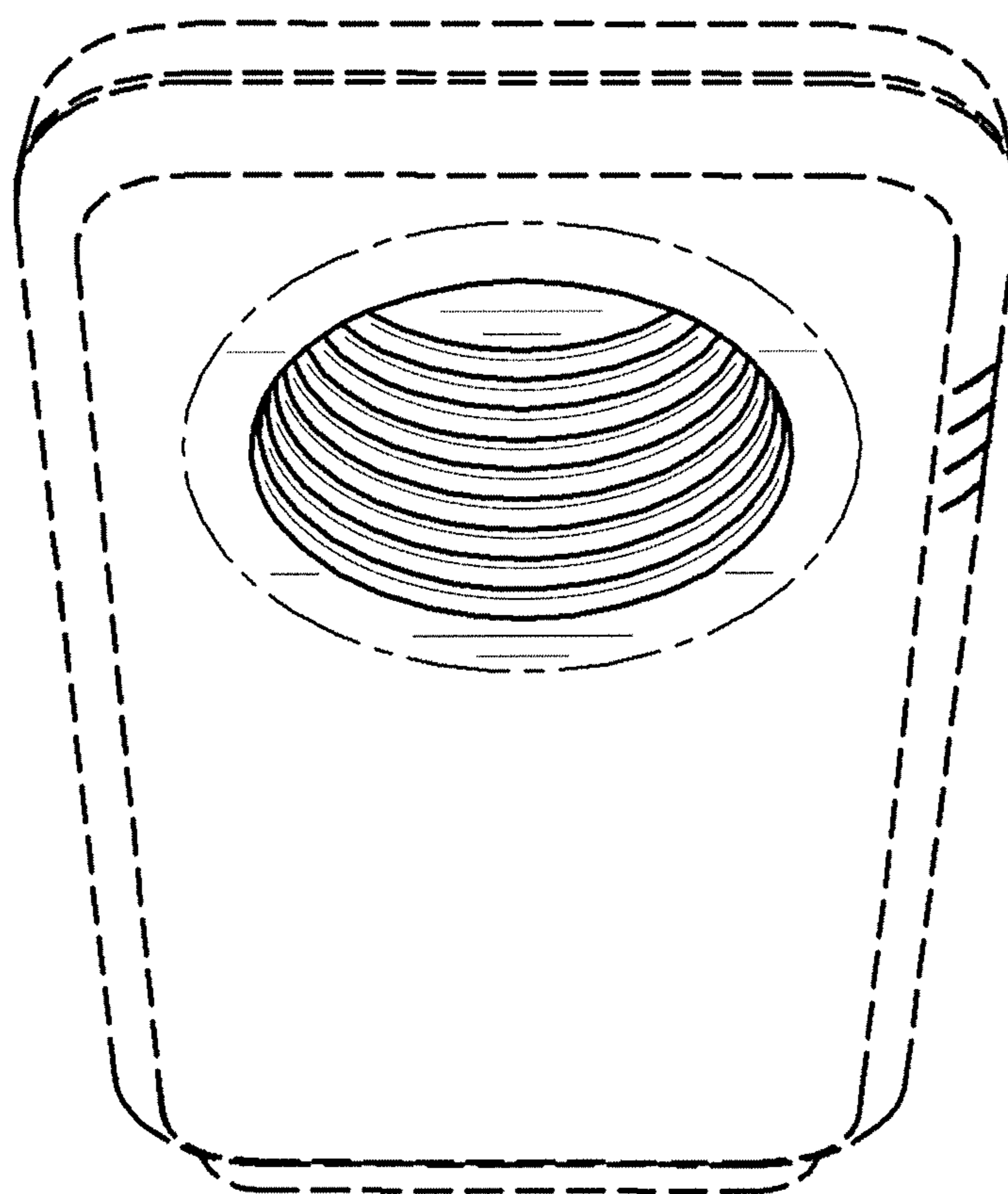


FIG. 1

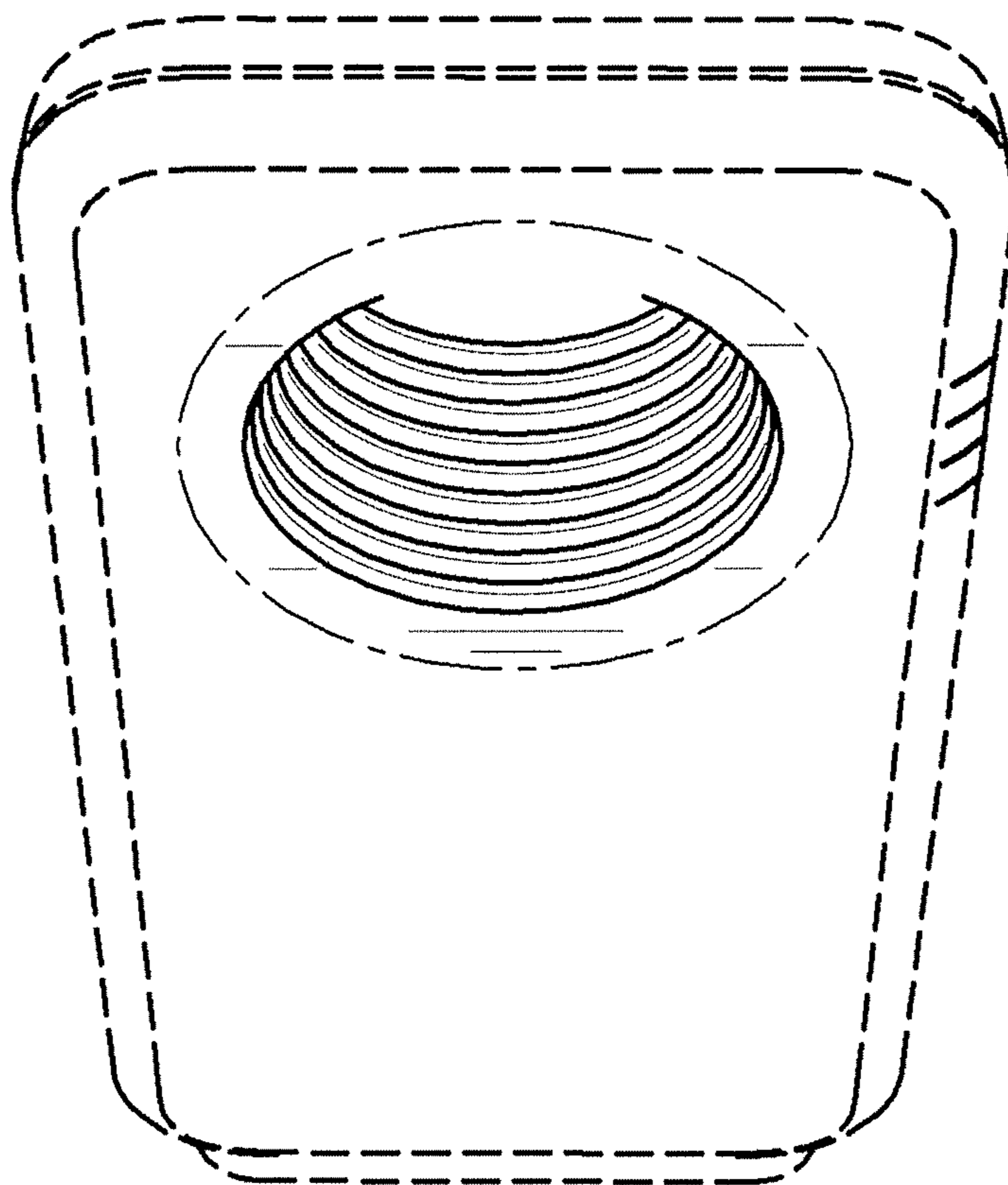


FIG. 2

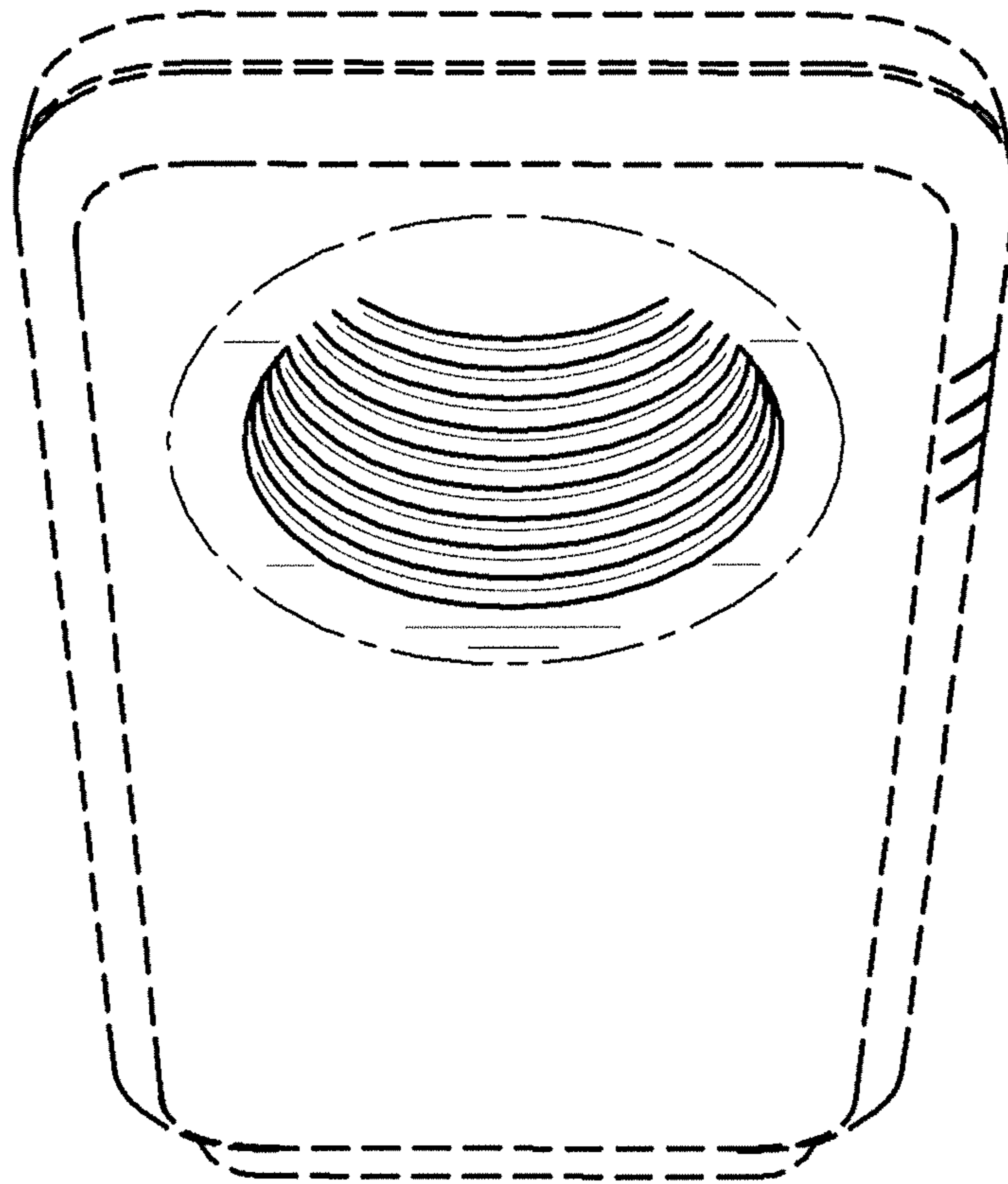


FIG. 3

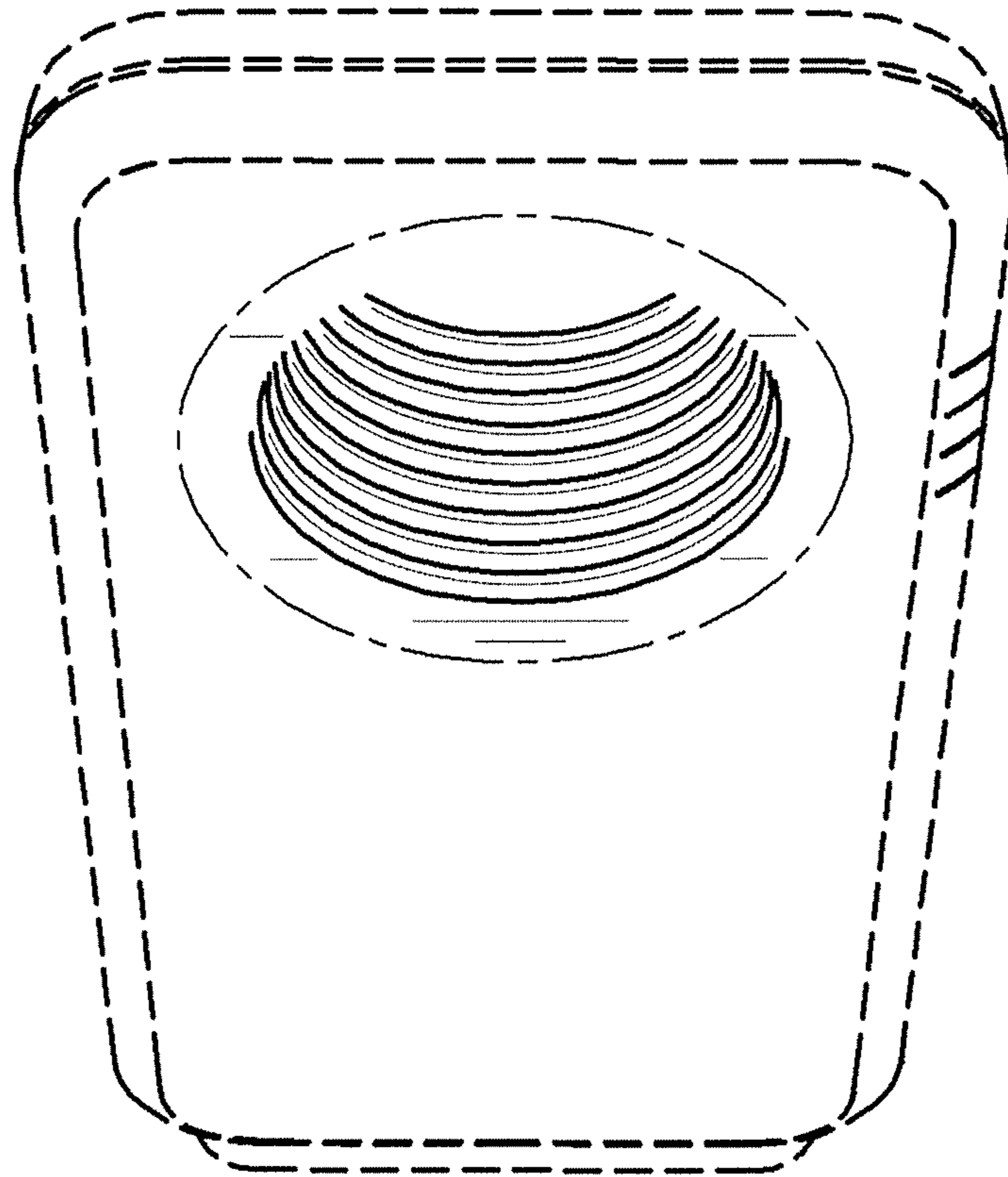


FIG. 4

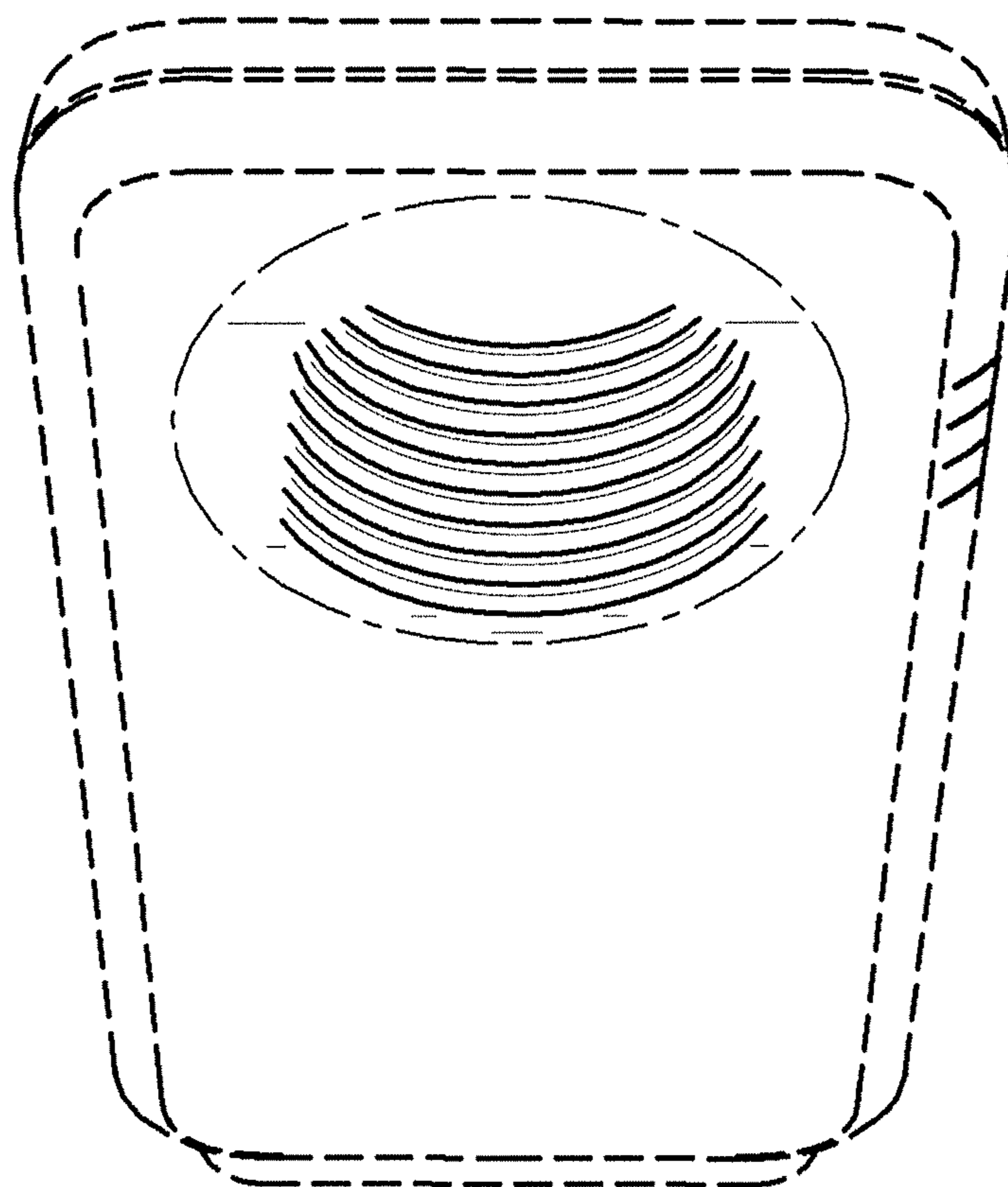


FIG. 5

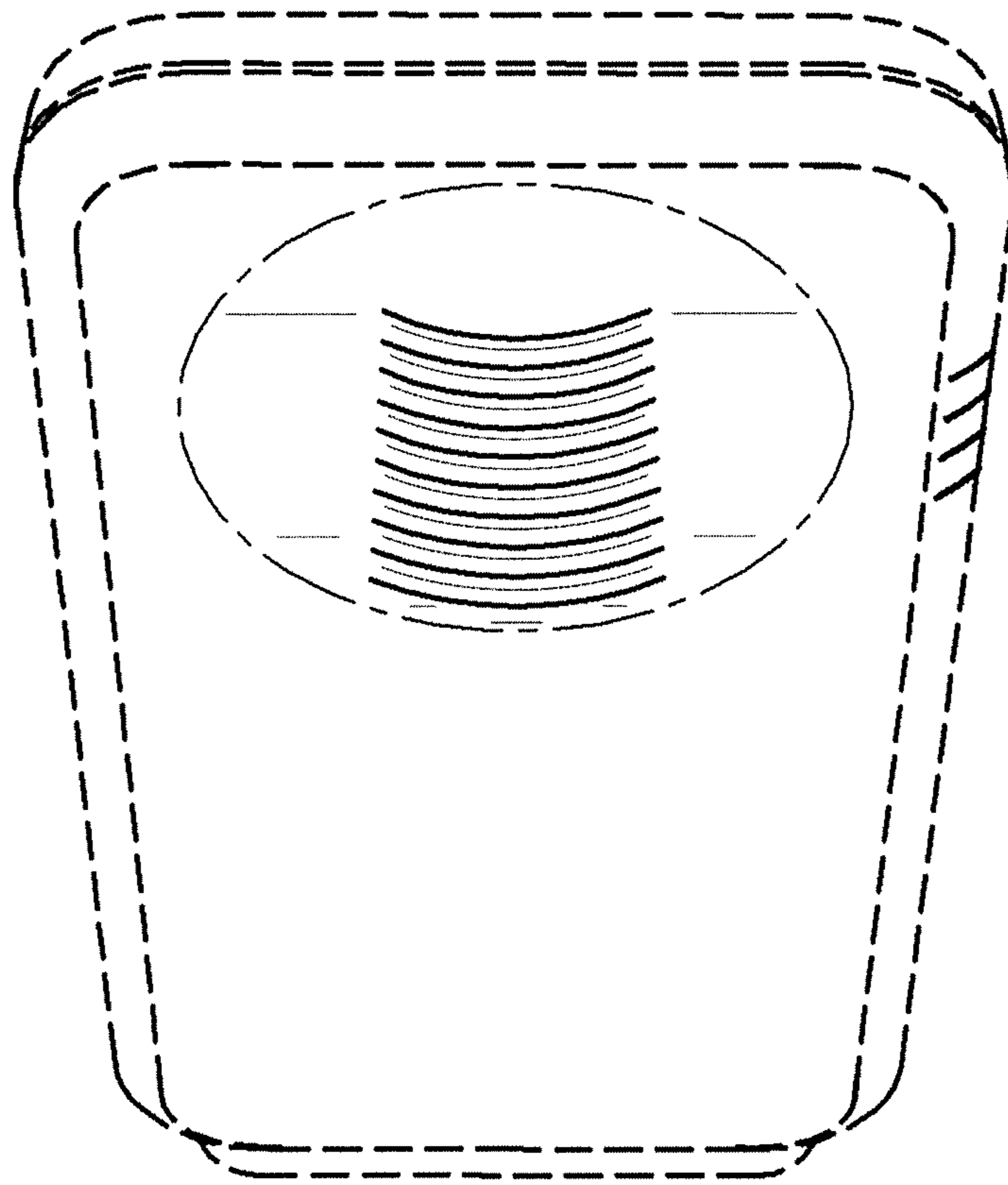


FIG. 6

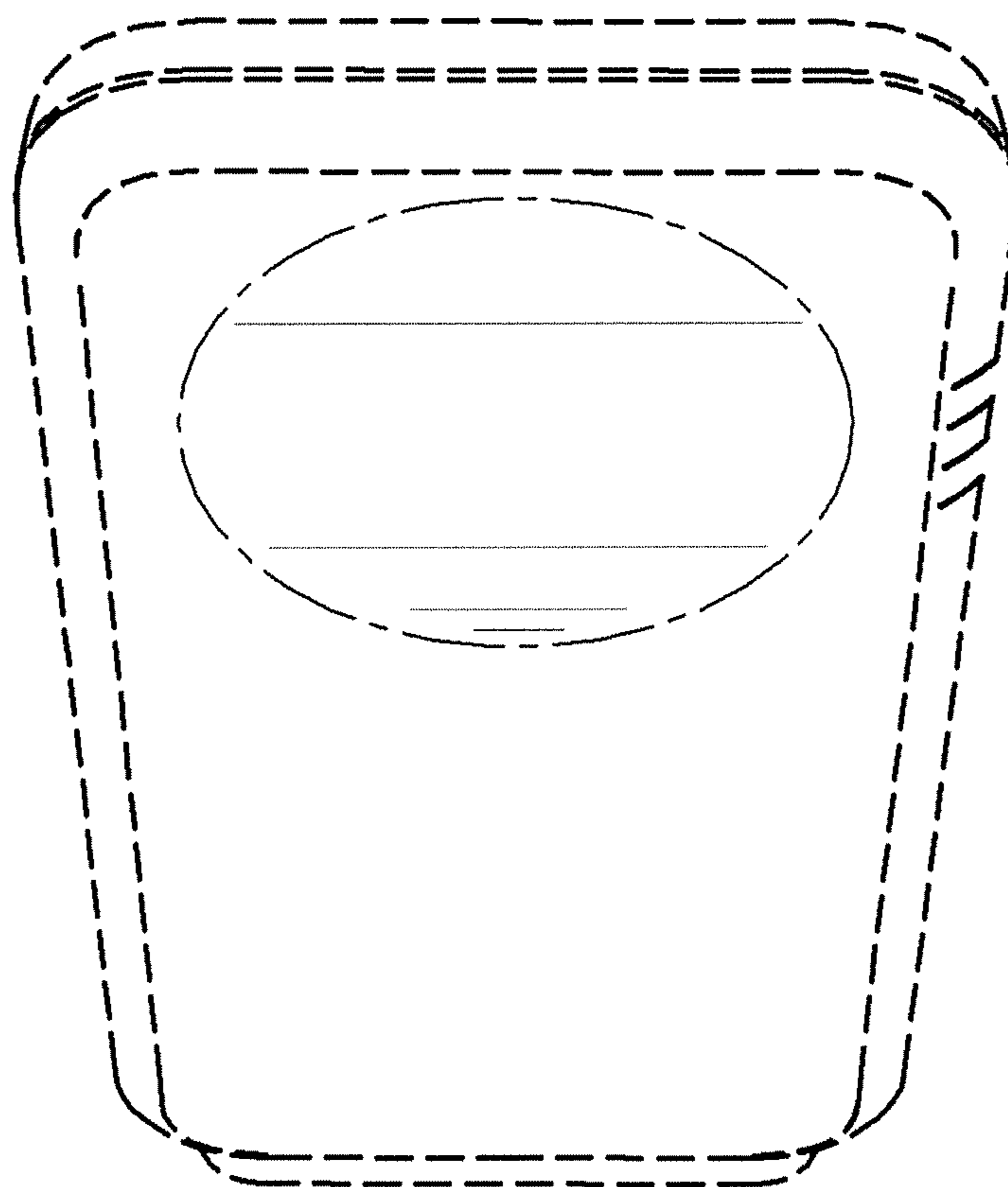


FIG. 7



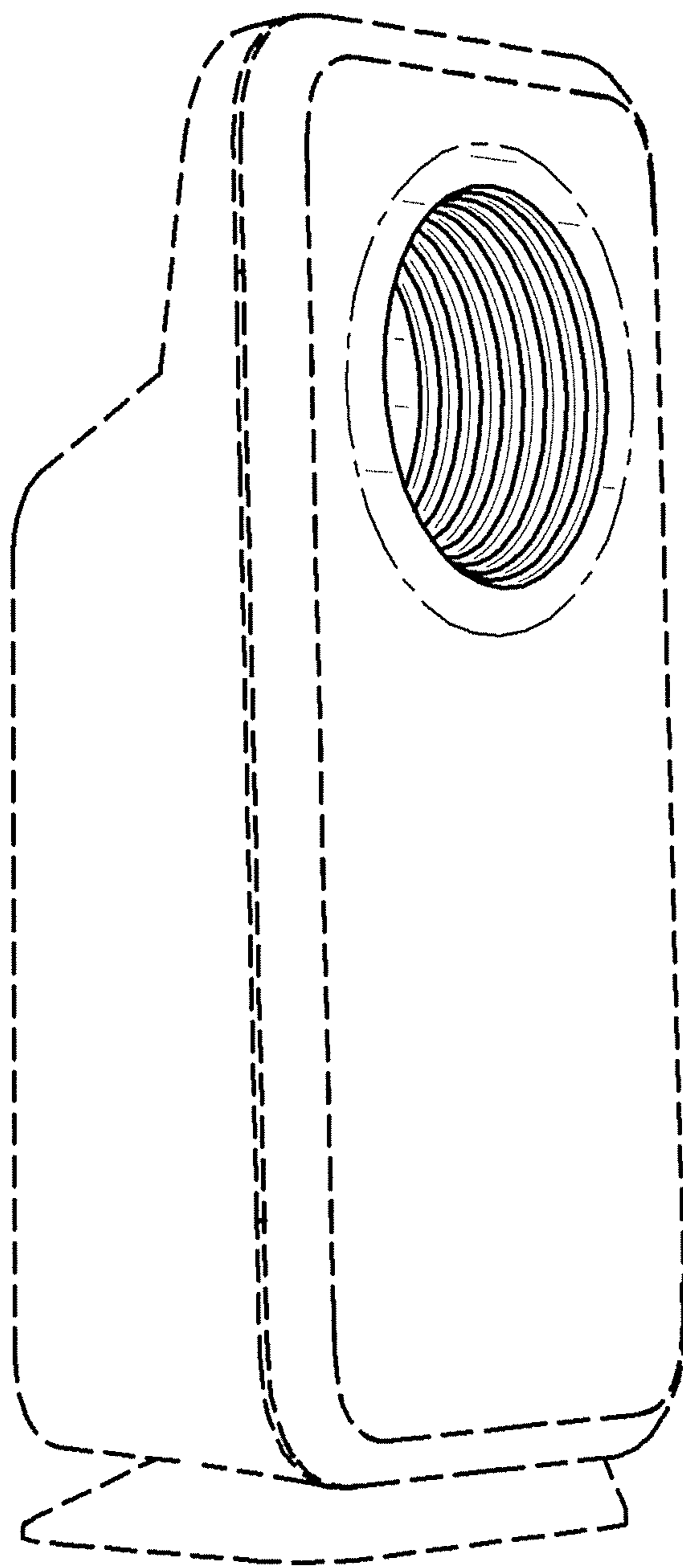


FIG. 8

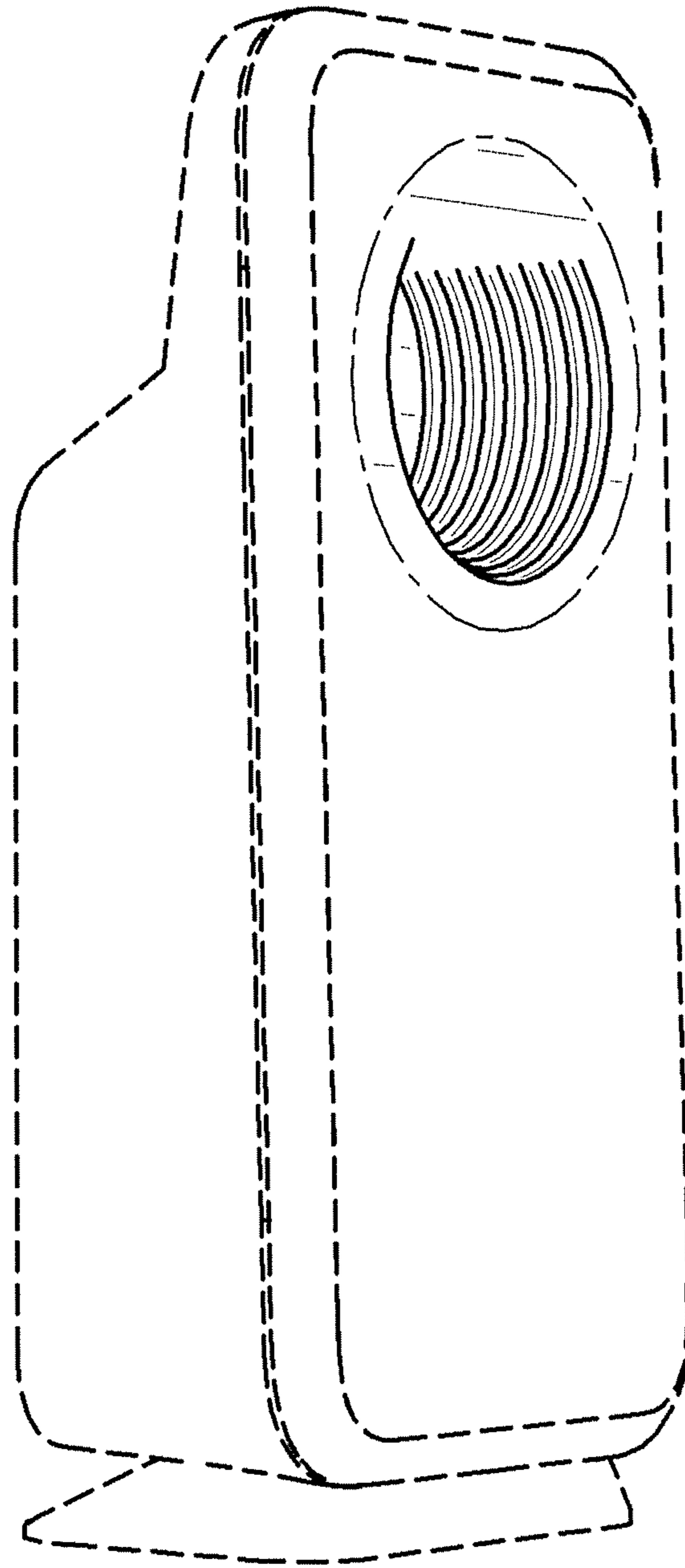


FIG. 9

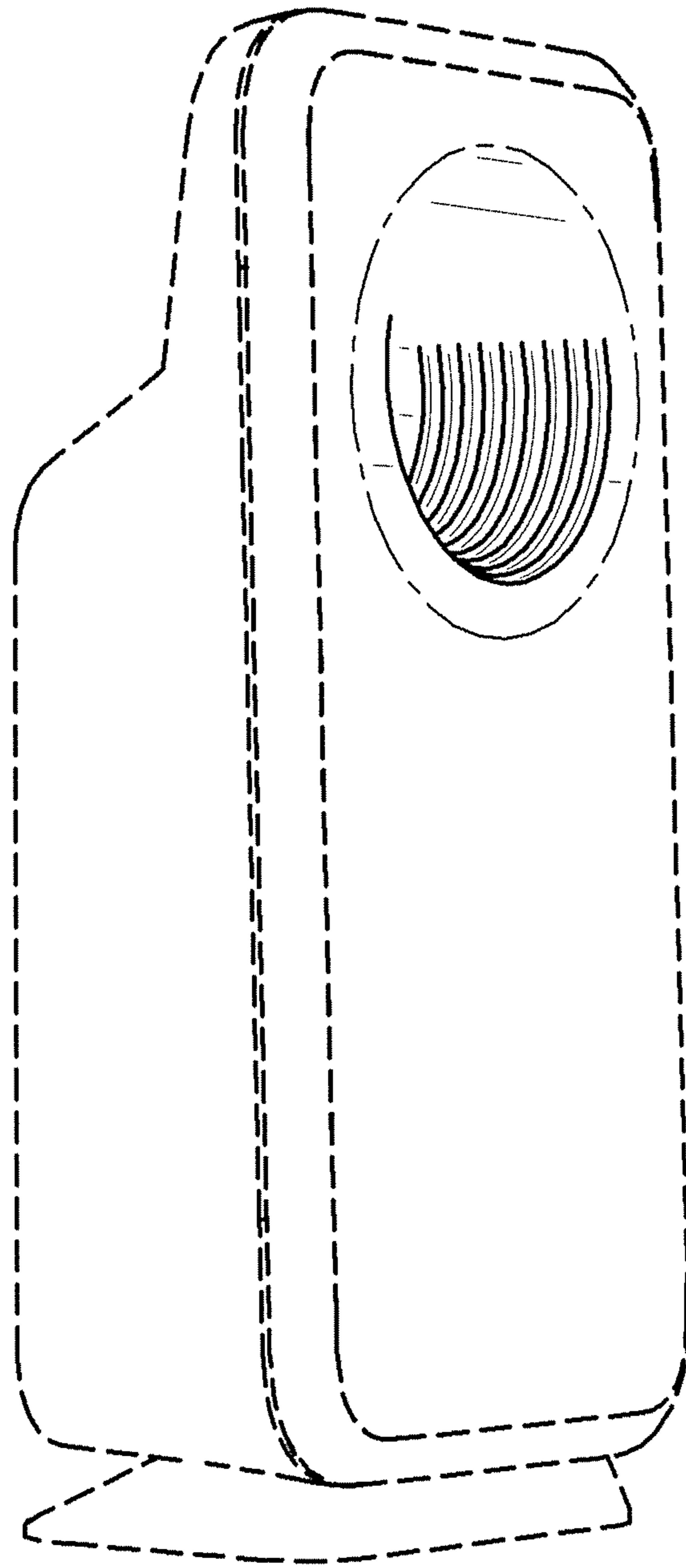


FIG. 10

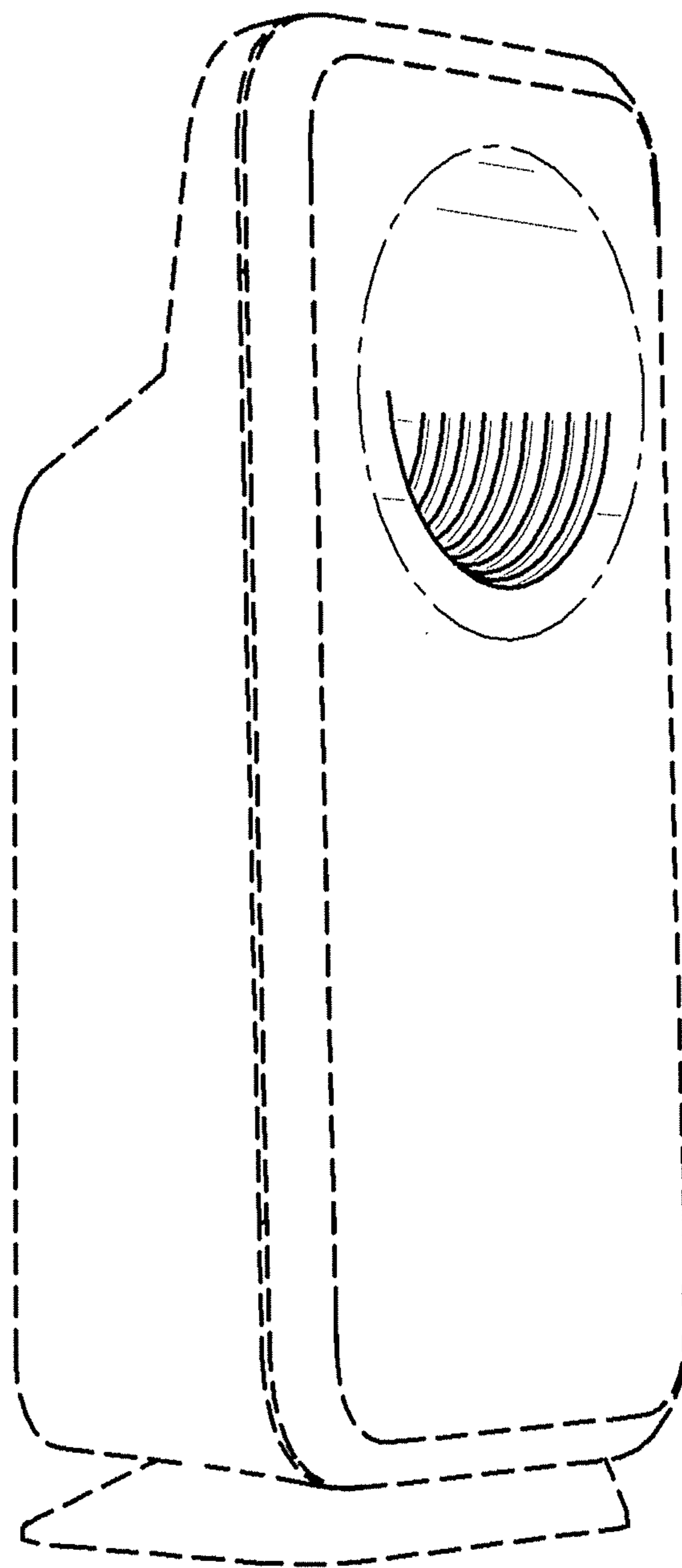


FIG. 11

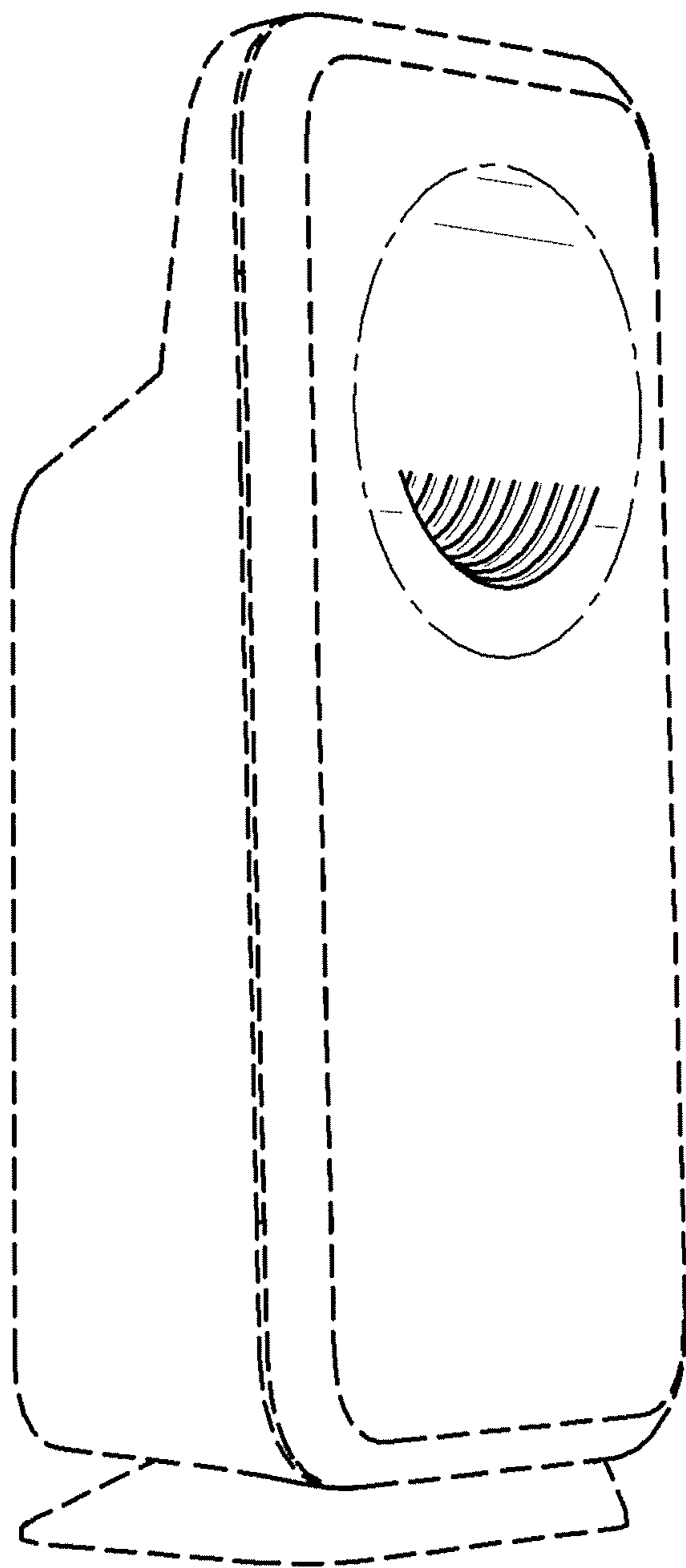


FIG. 12

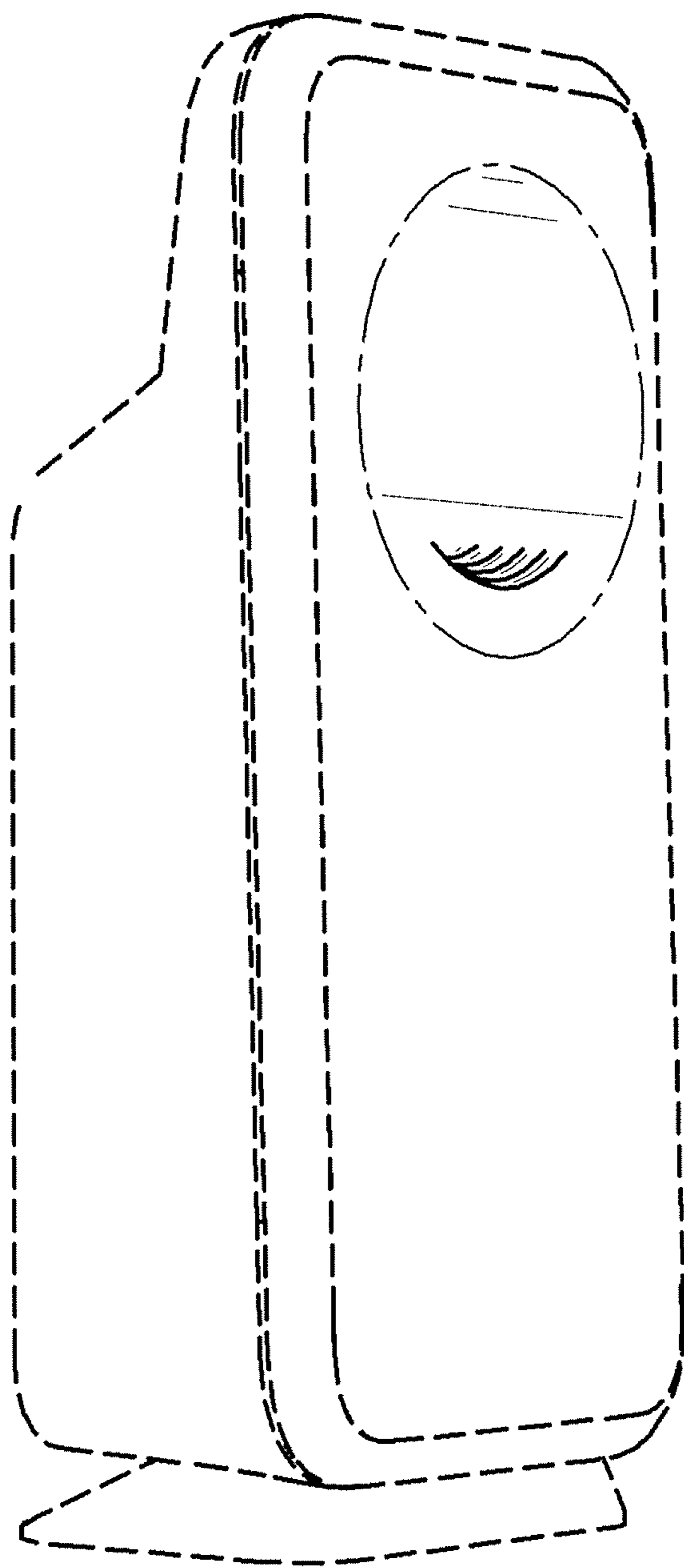


FIG. 13

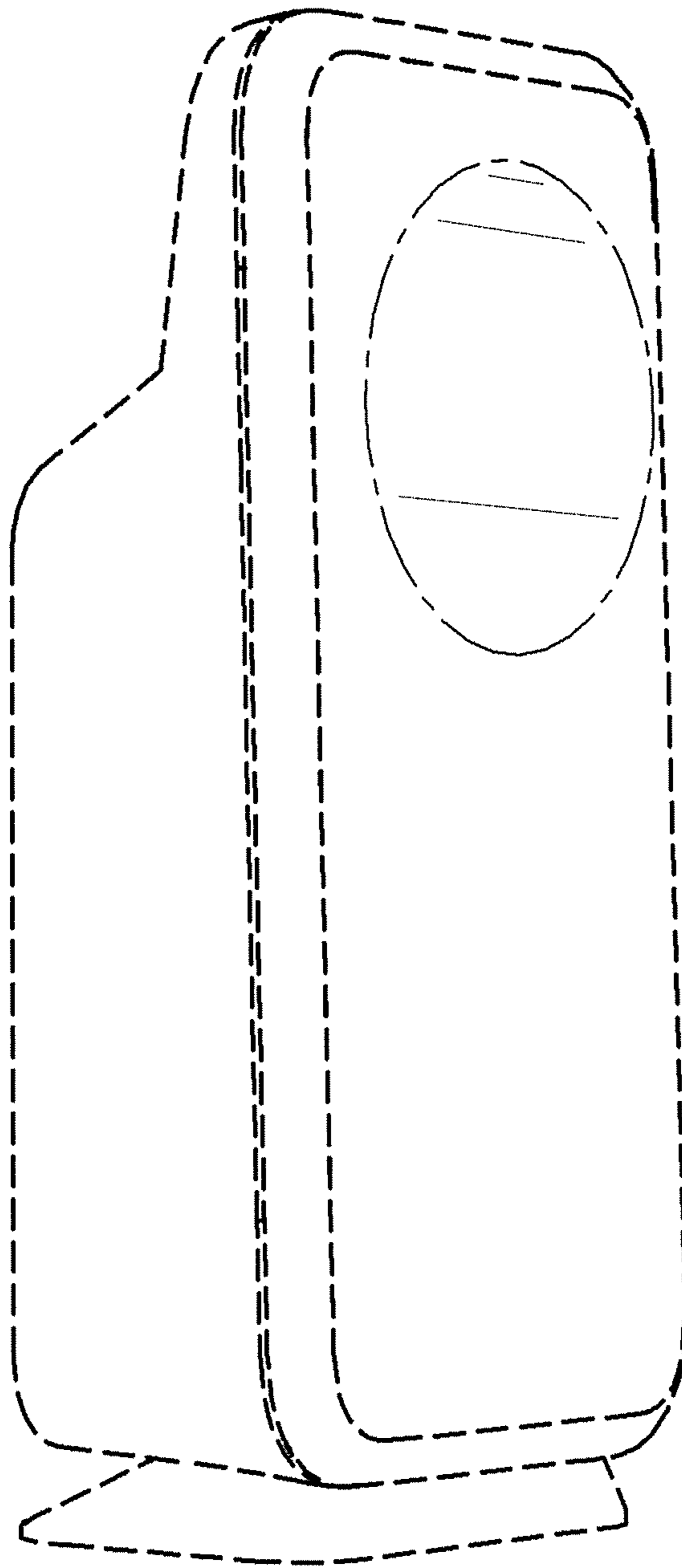


FIG. 14

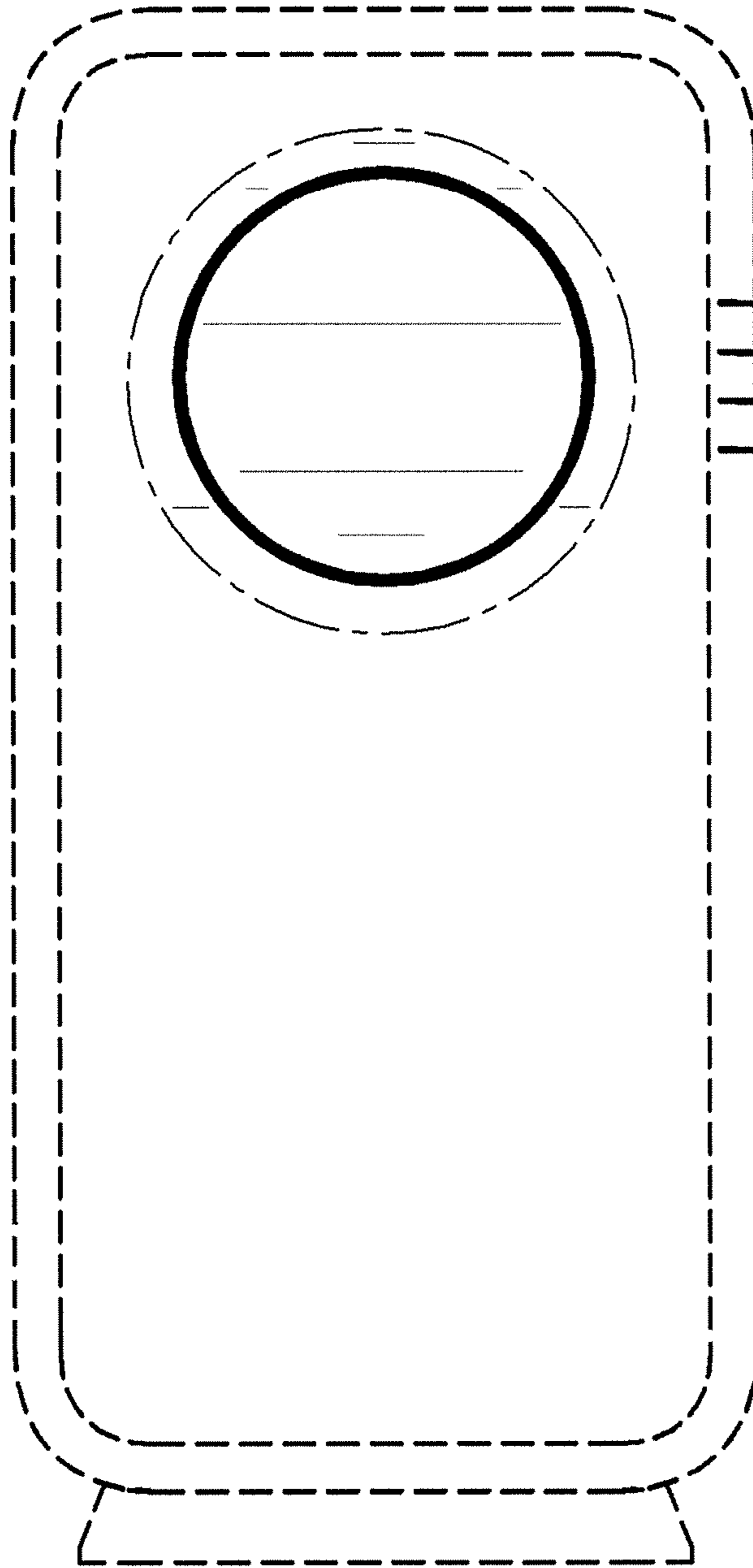


FIG. 15



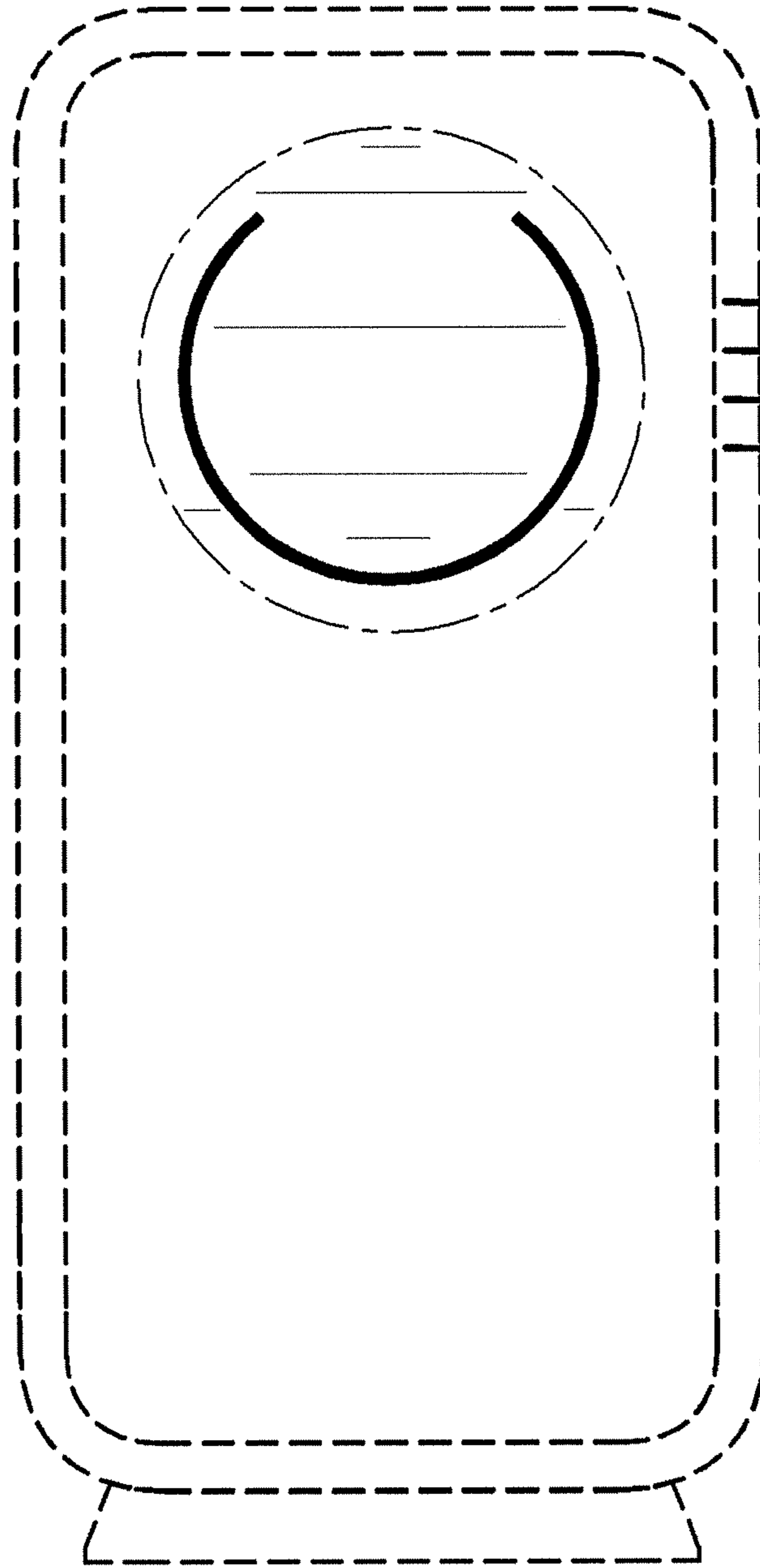


FIG. 16

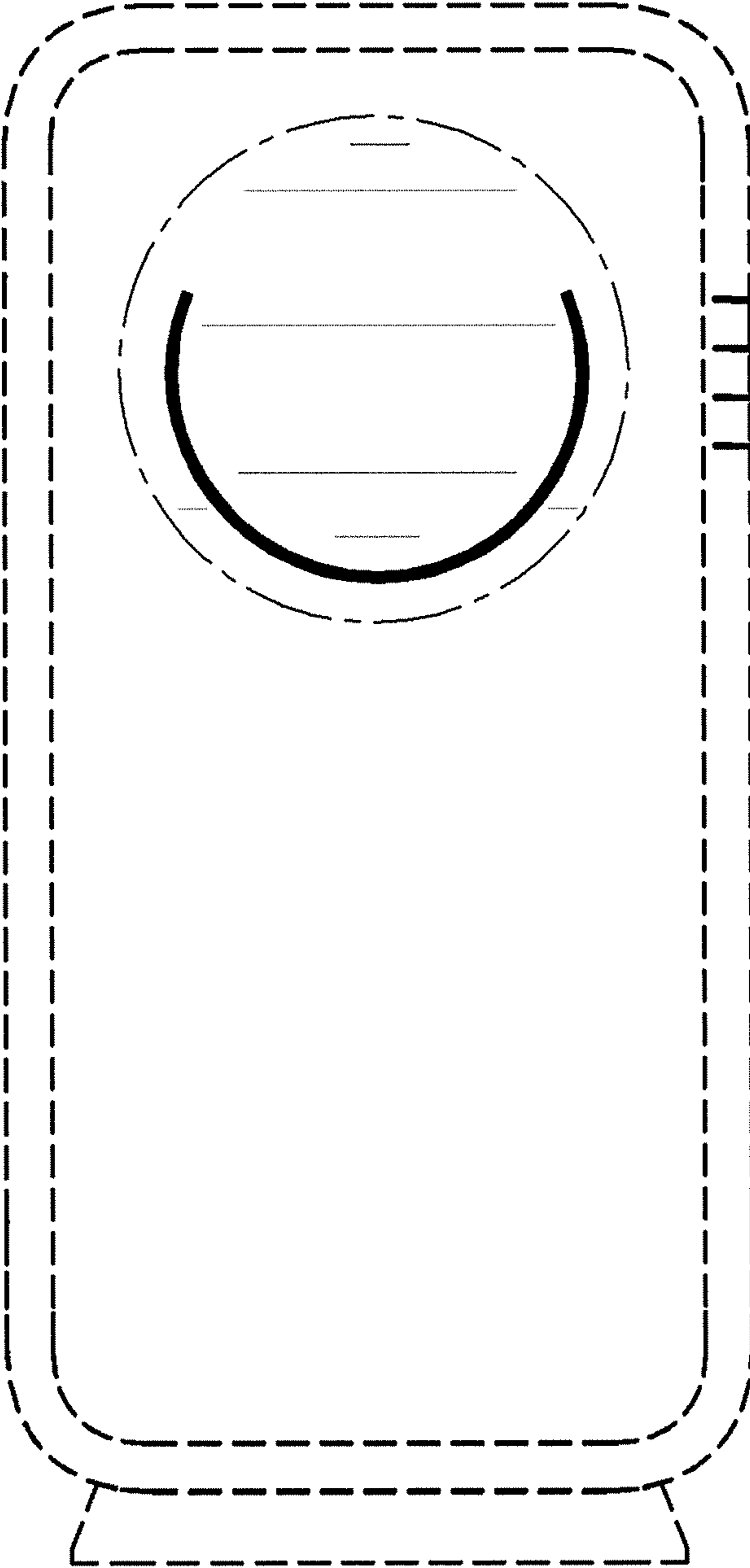


FIG. 17

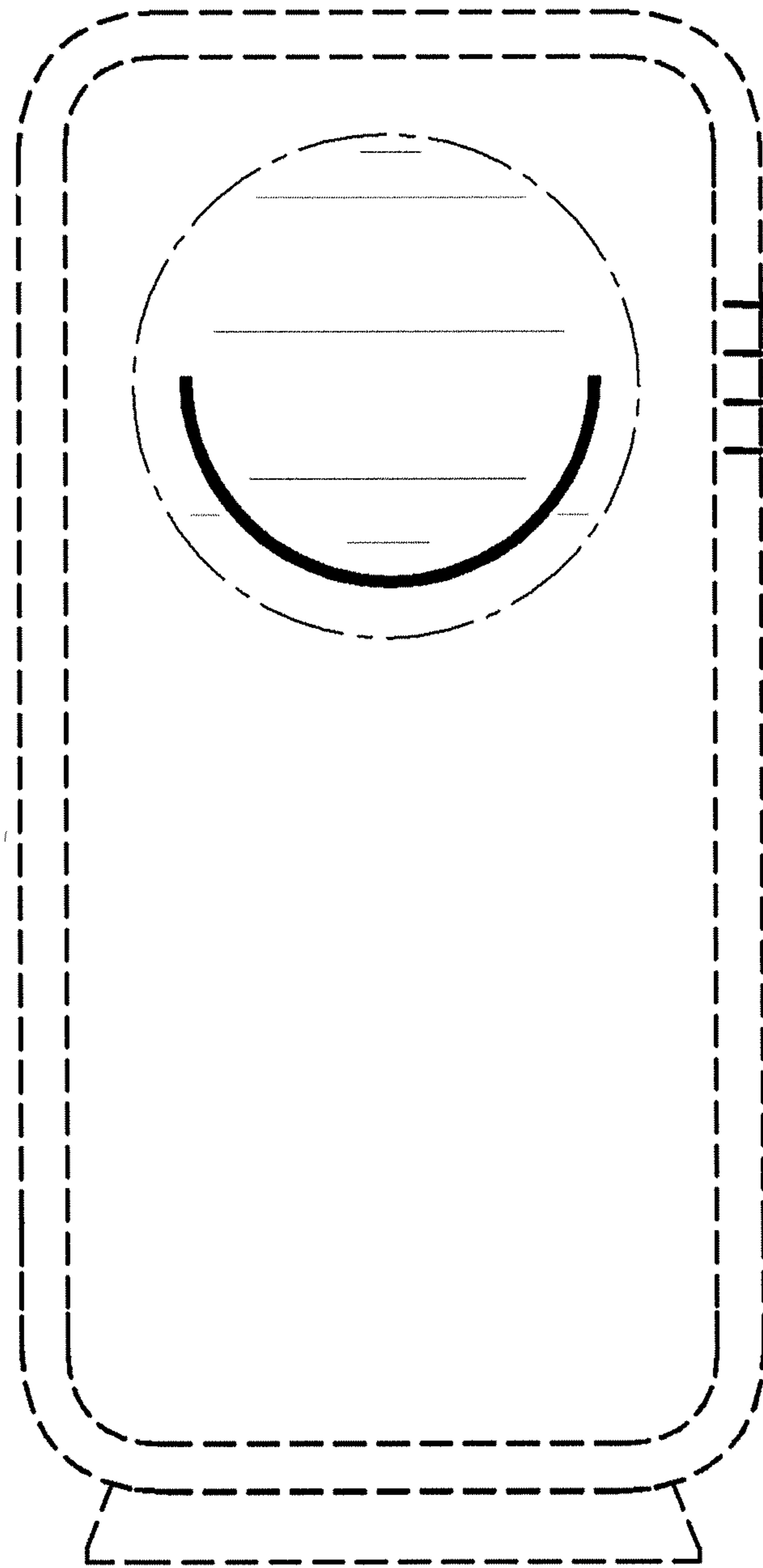


FIG. 18

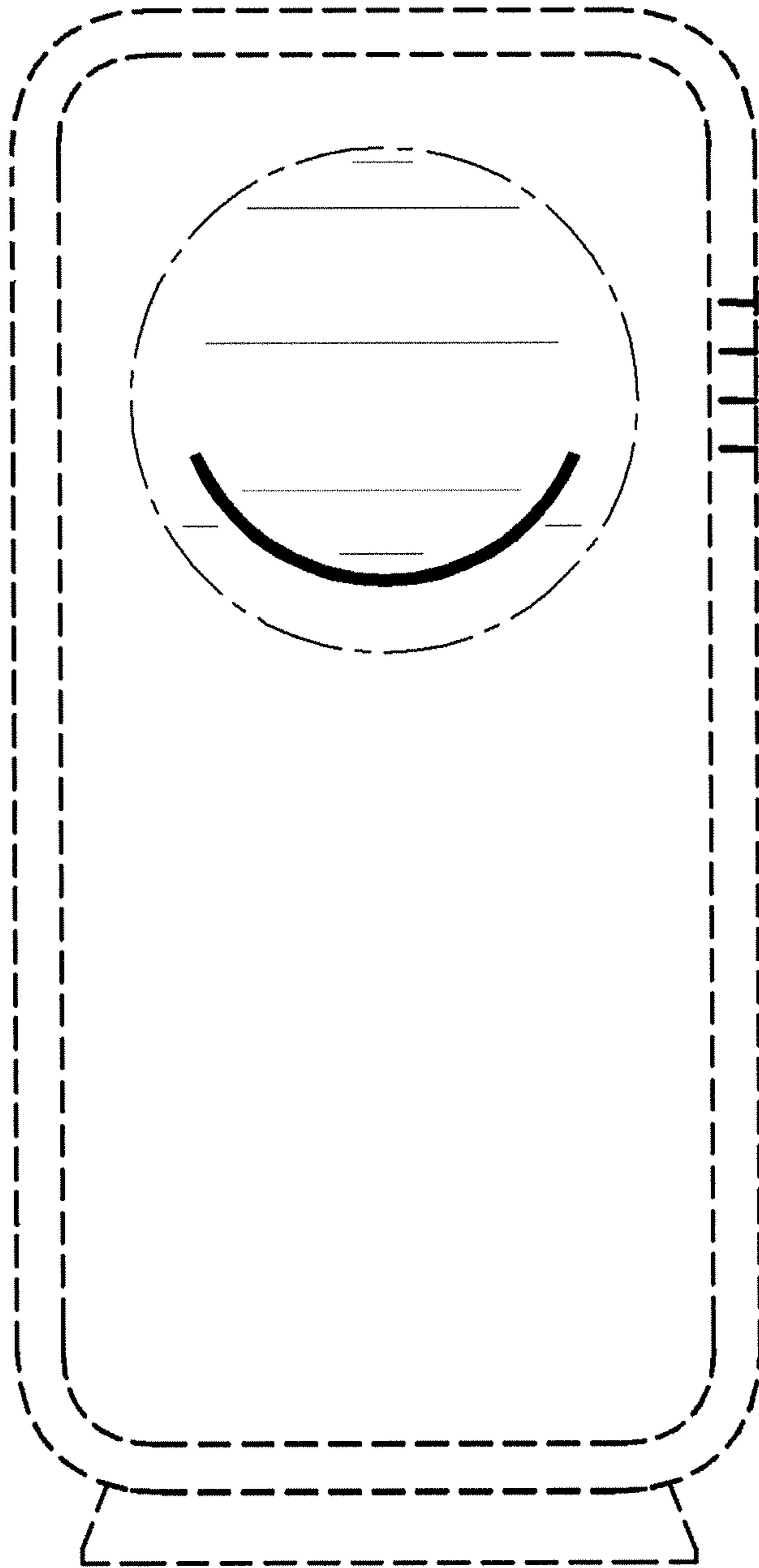


FIG. 19

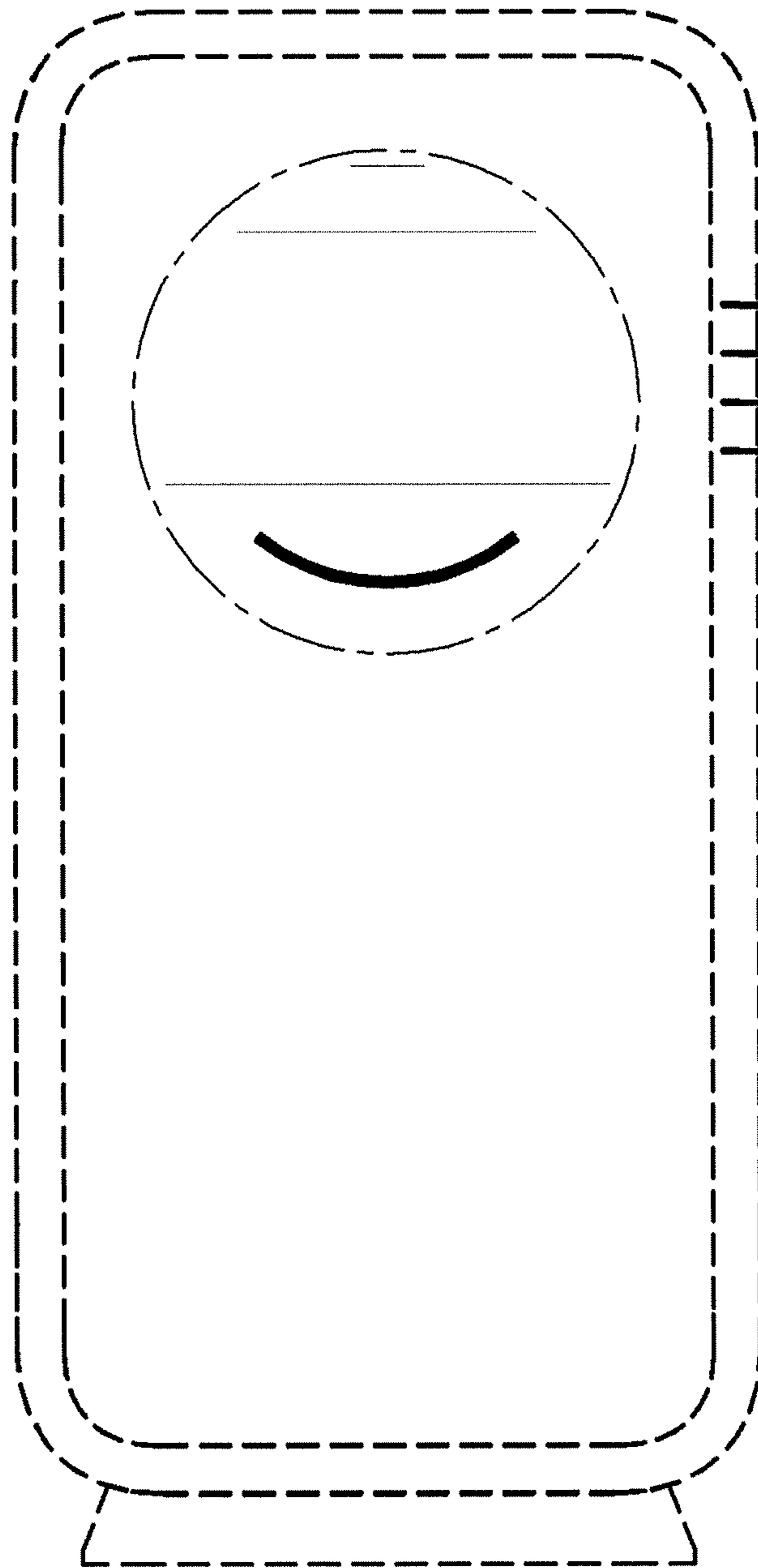


FIG. 20

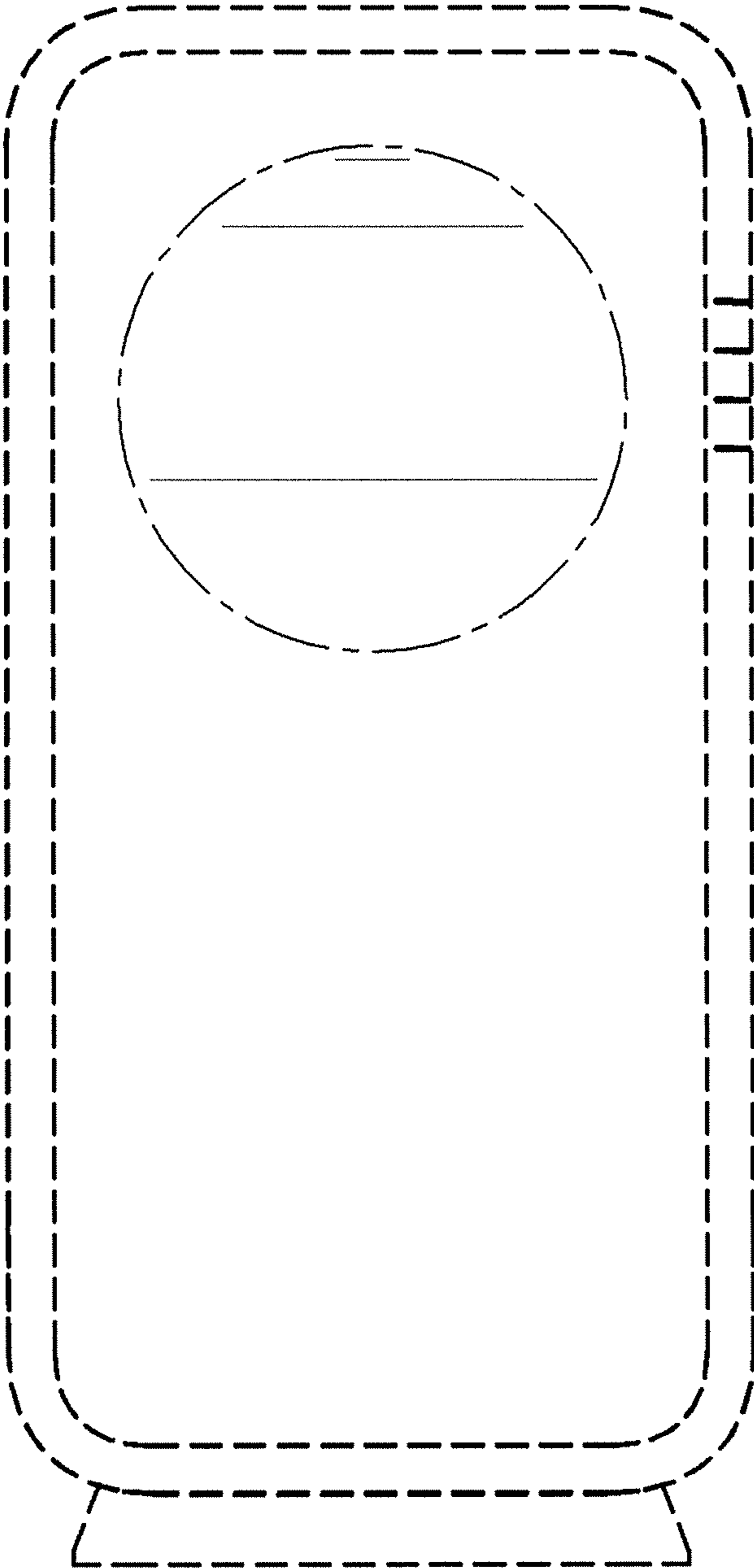


FIG. 21

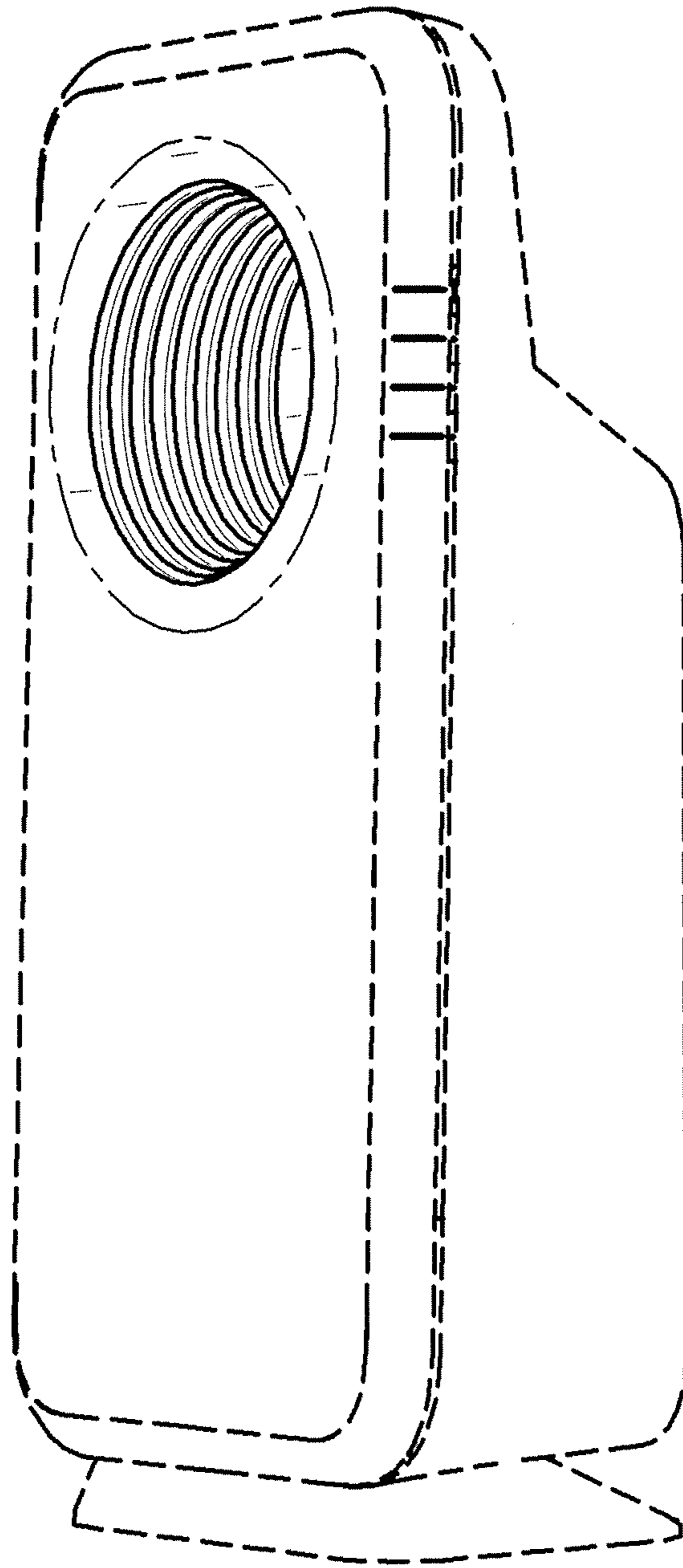


FIG. 22

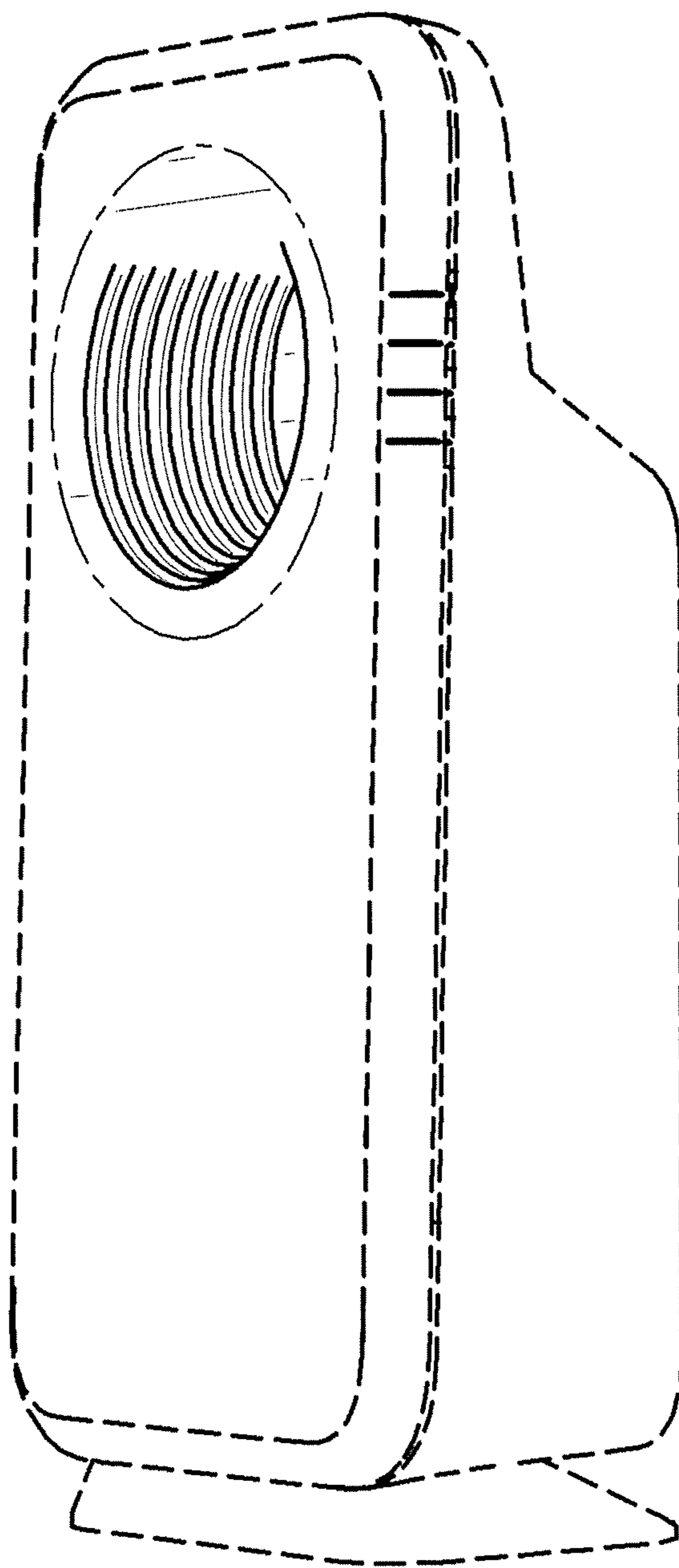


FIG. 23



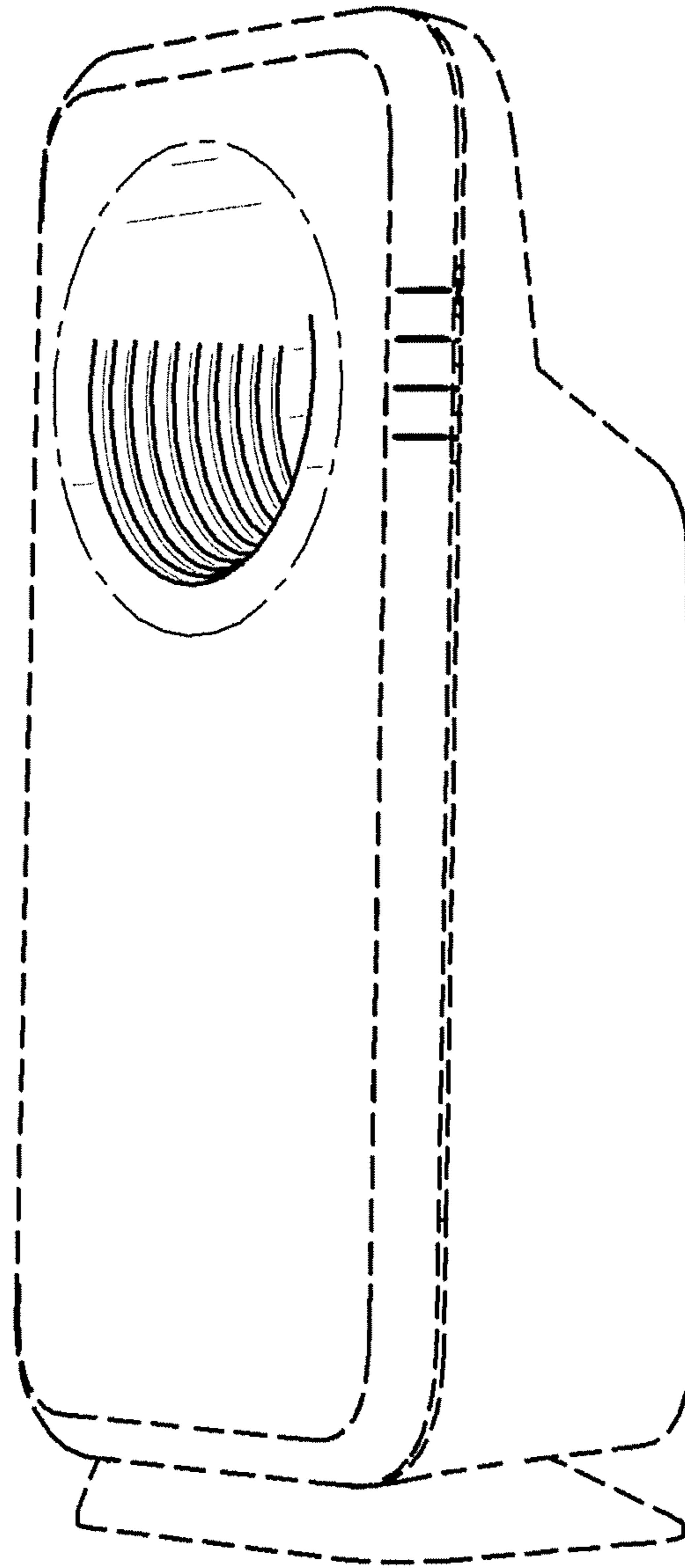


FIG. 24

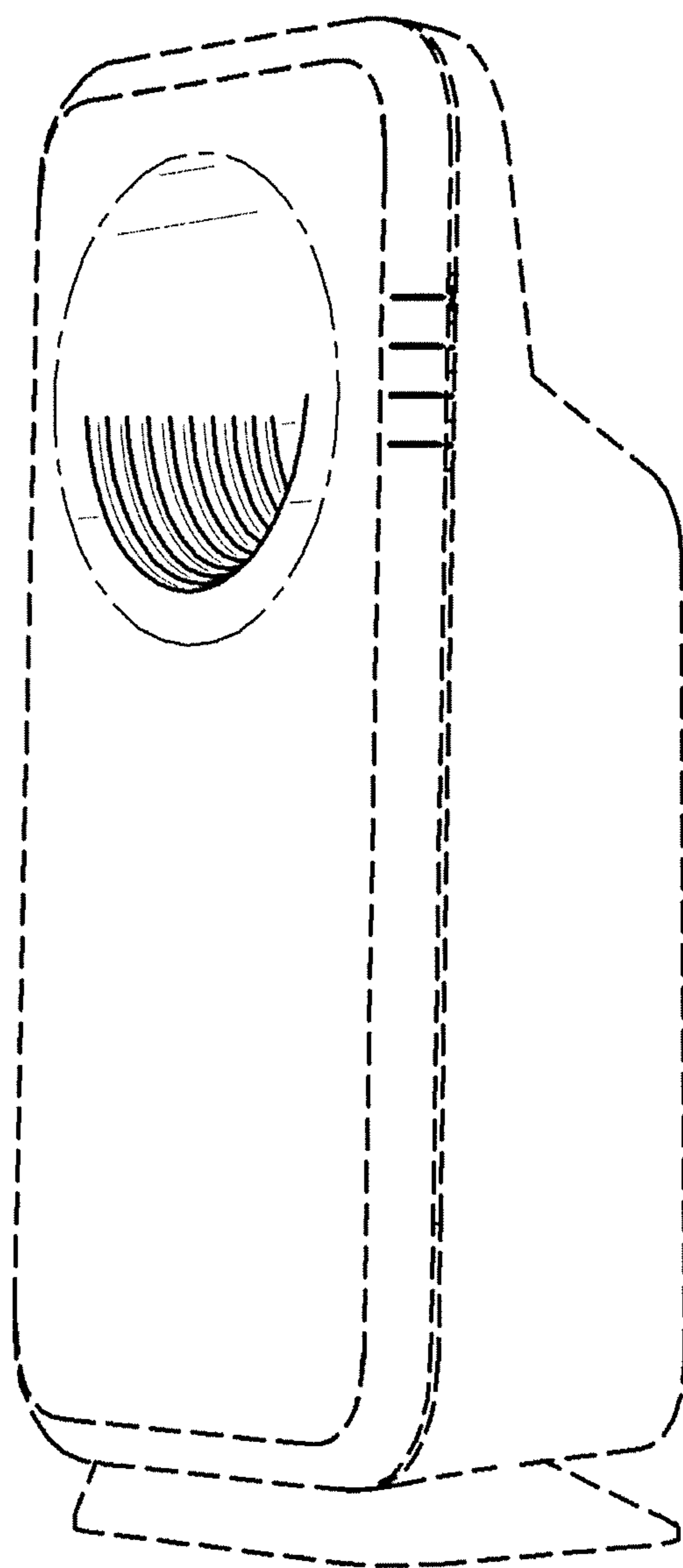


FIG. 25

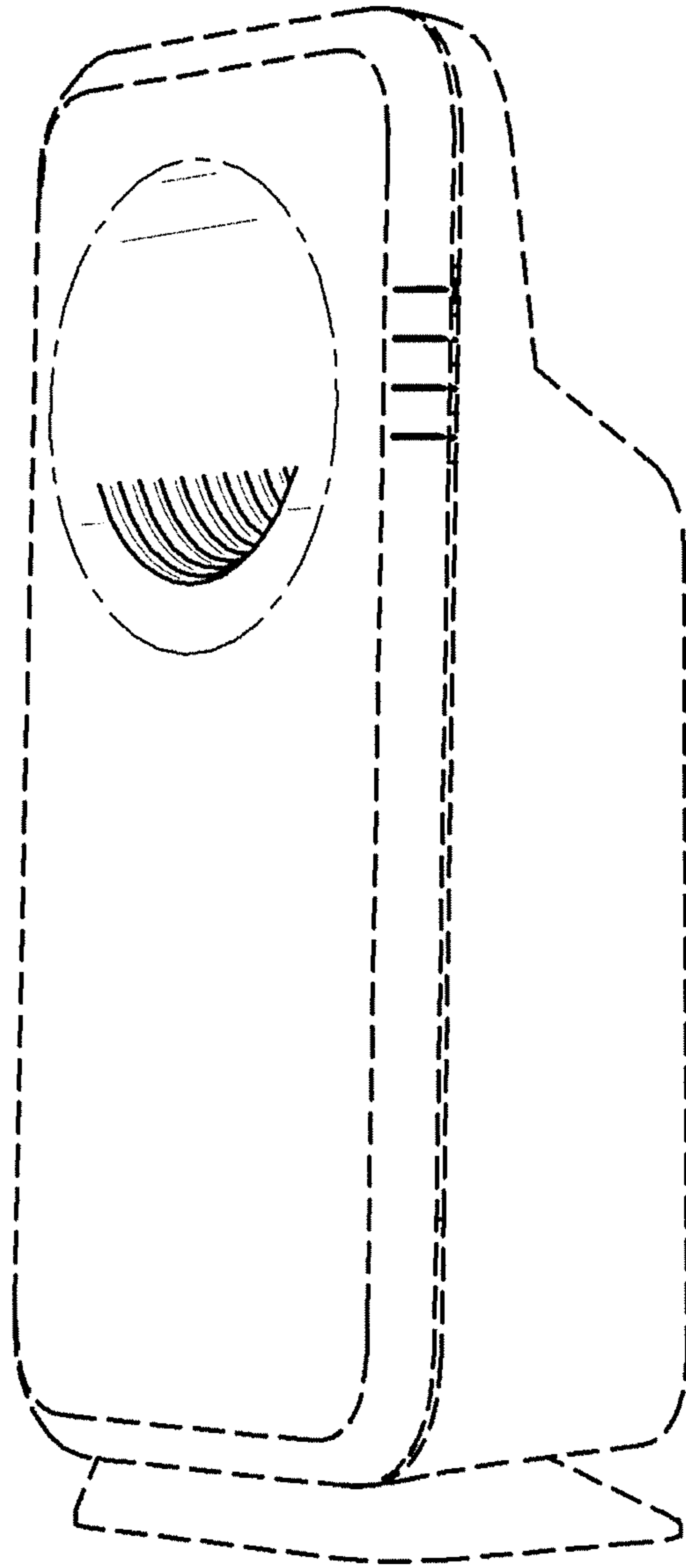


FIG. 26

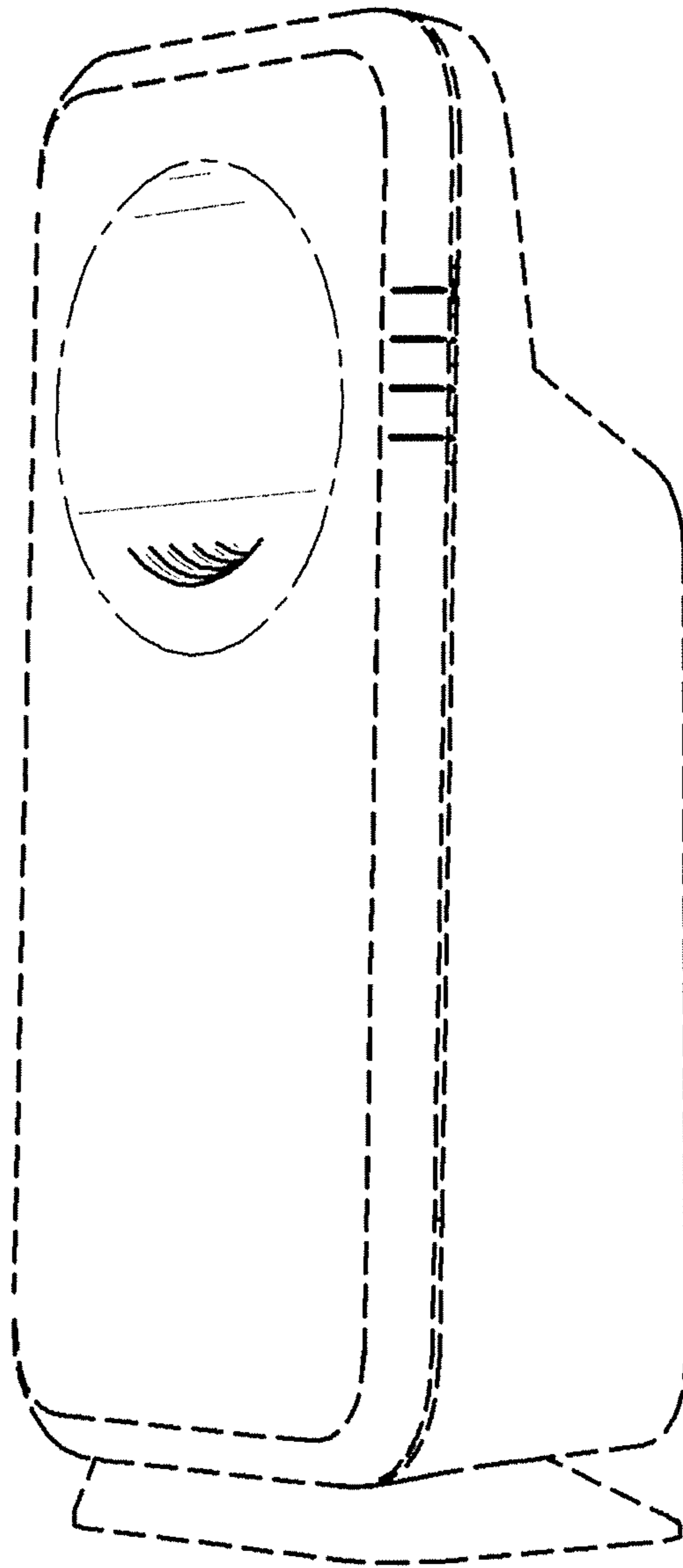


FIG. 27

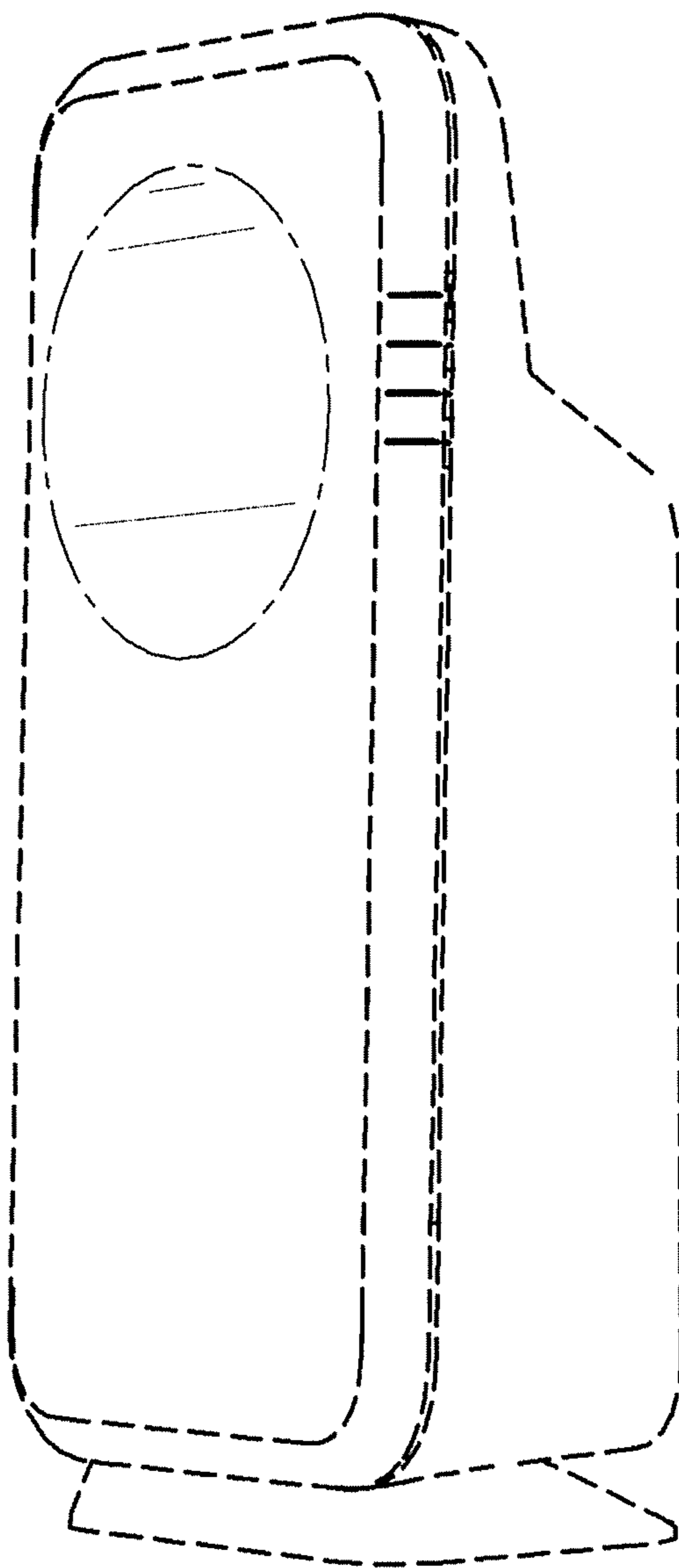


FIG. 28

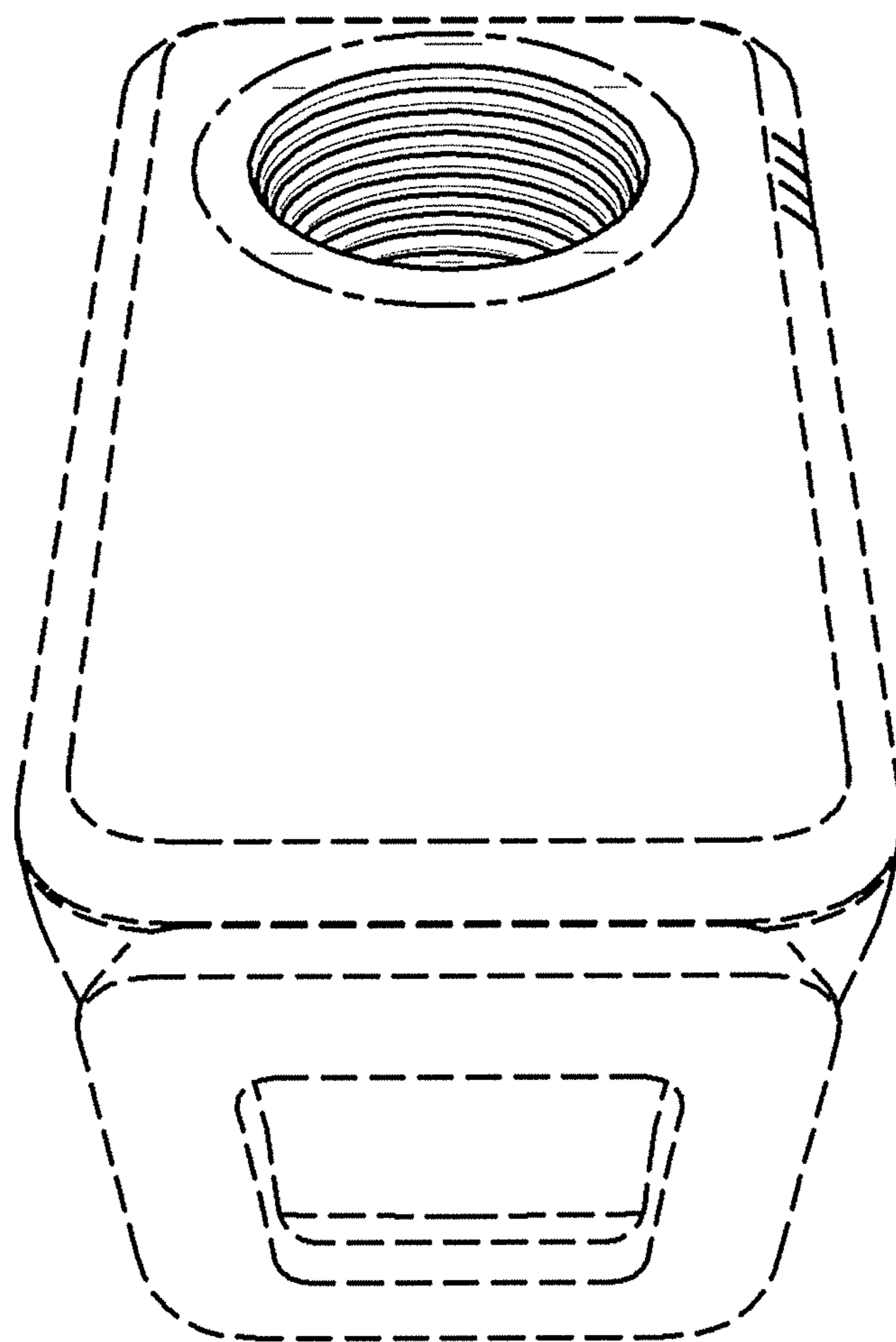


FIG. 29

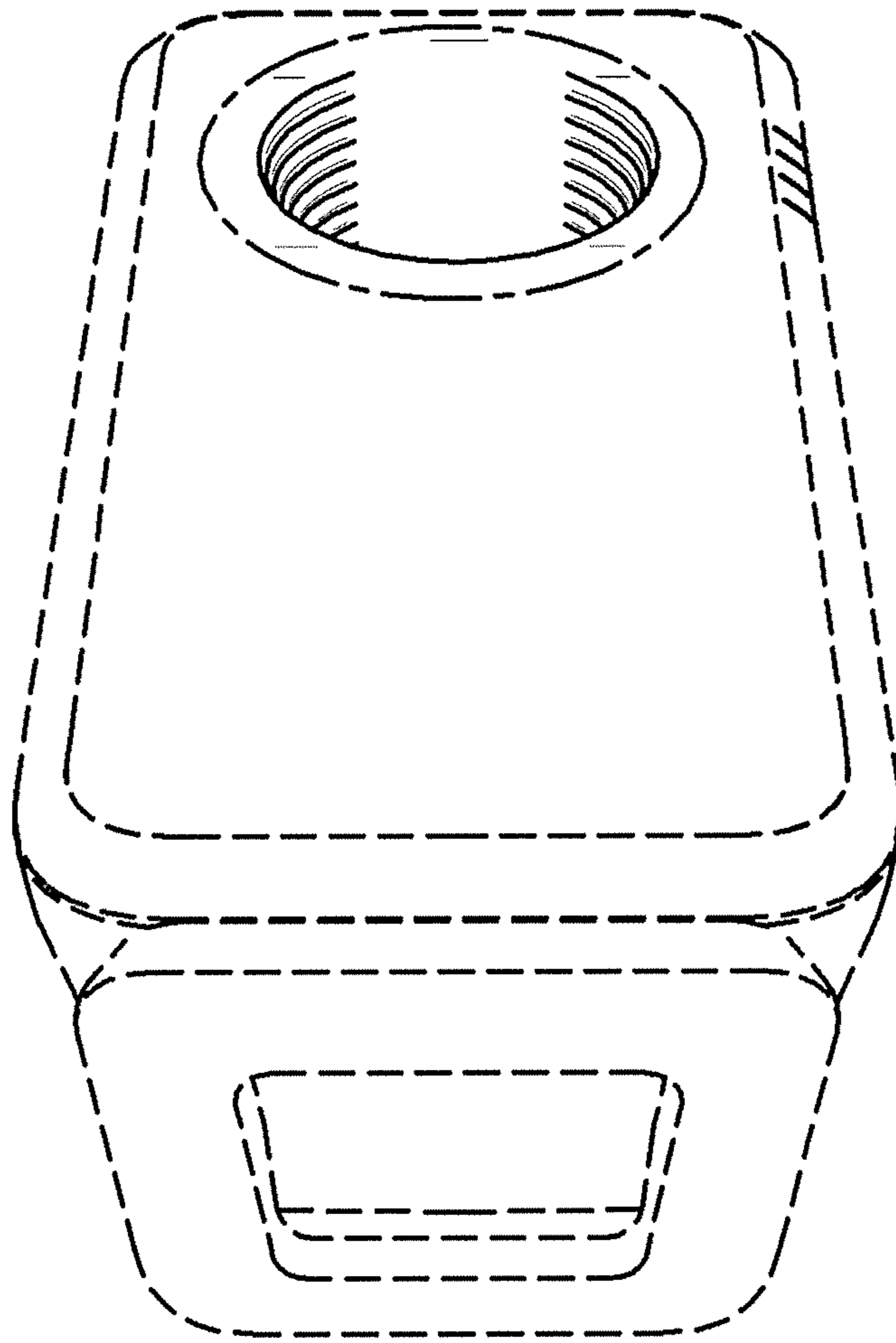


FIG. 30

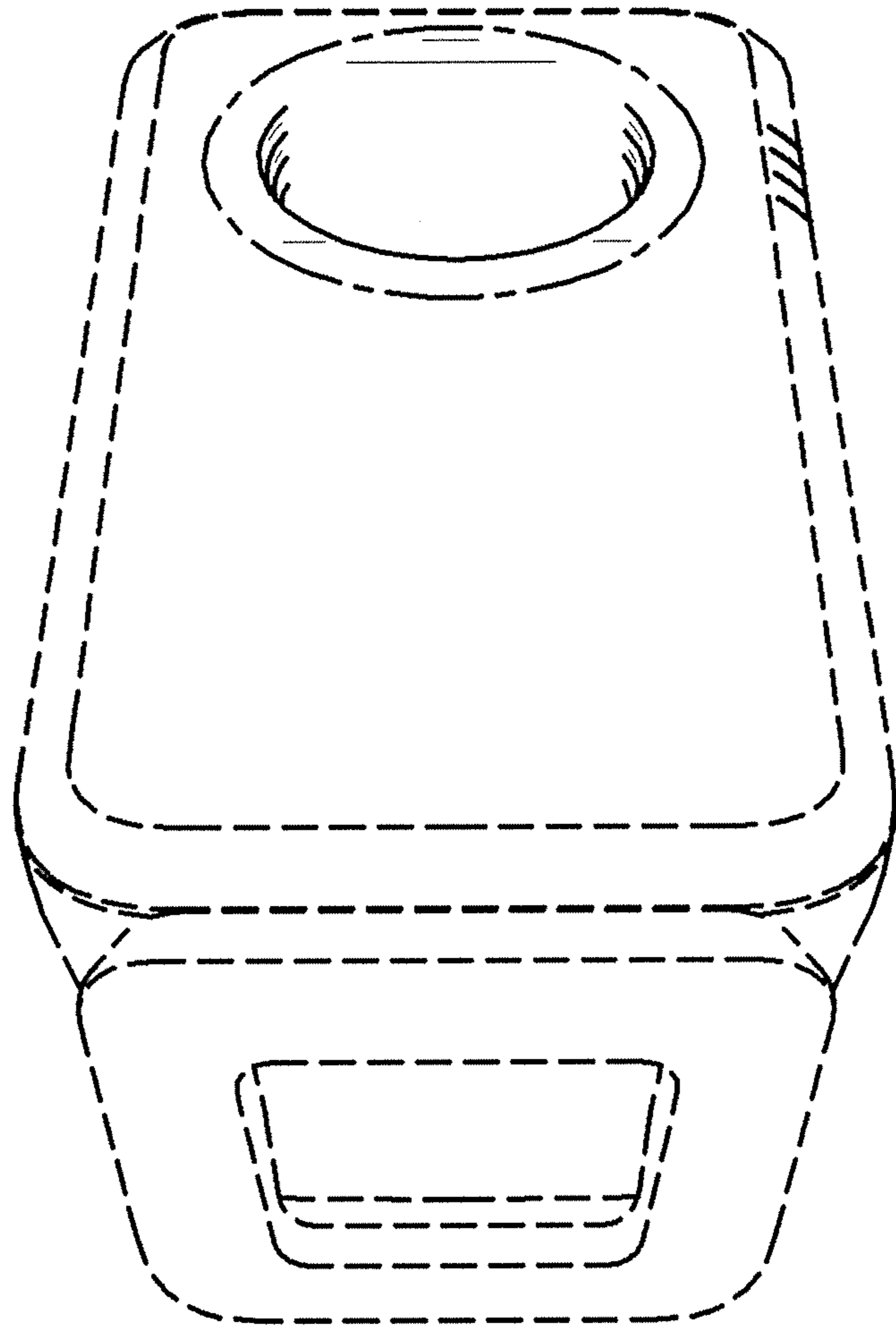


FIG. 31



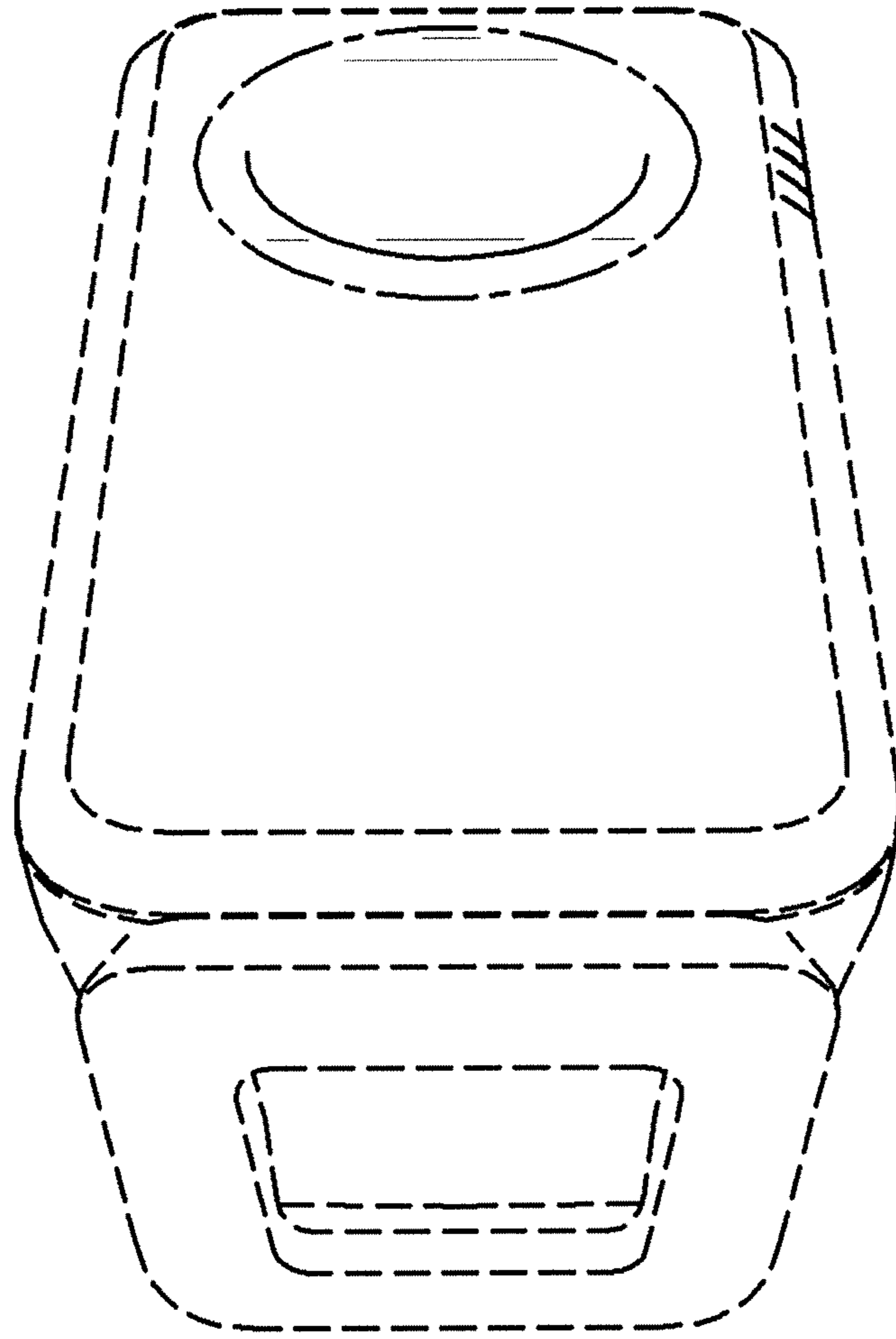


FIG. 32

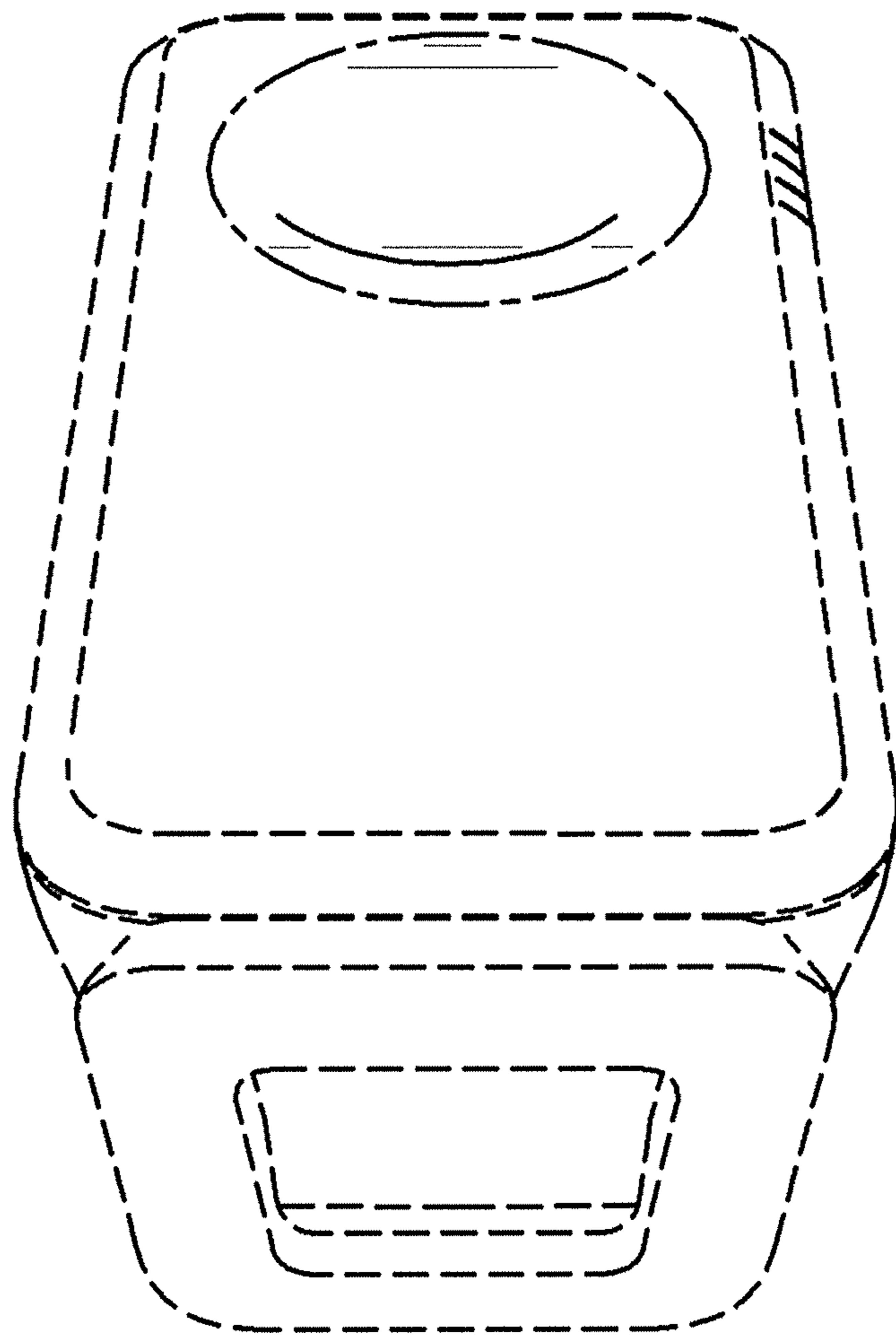


FIG. 33

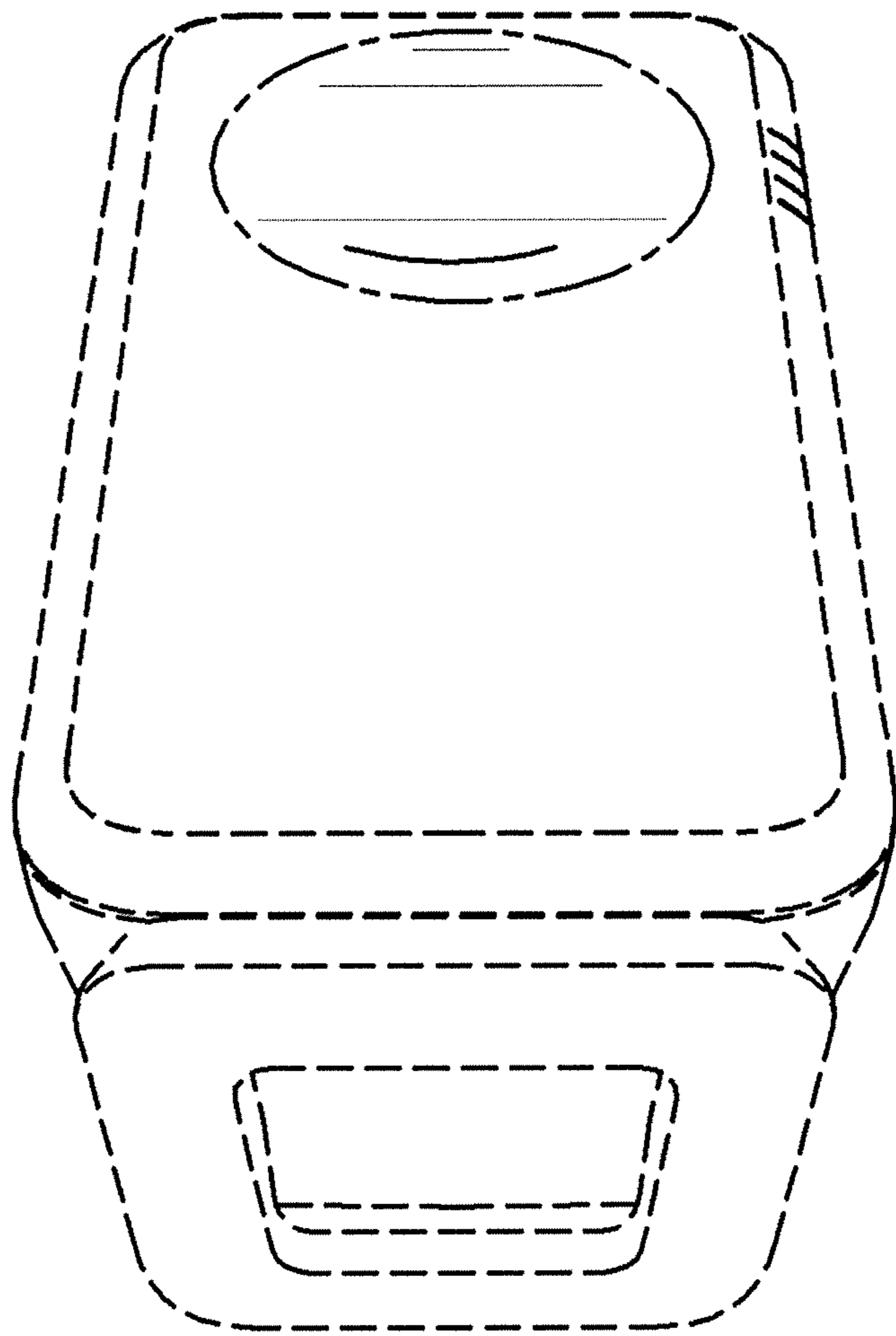


FIG. 34

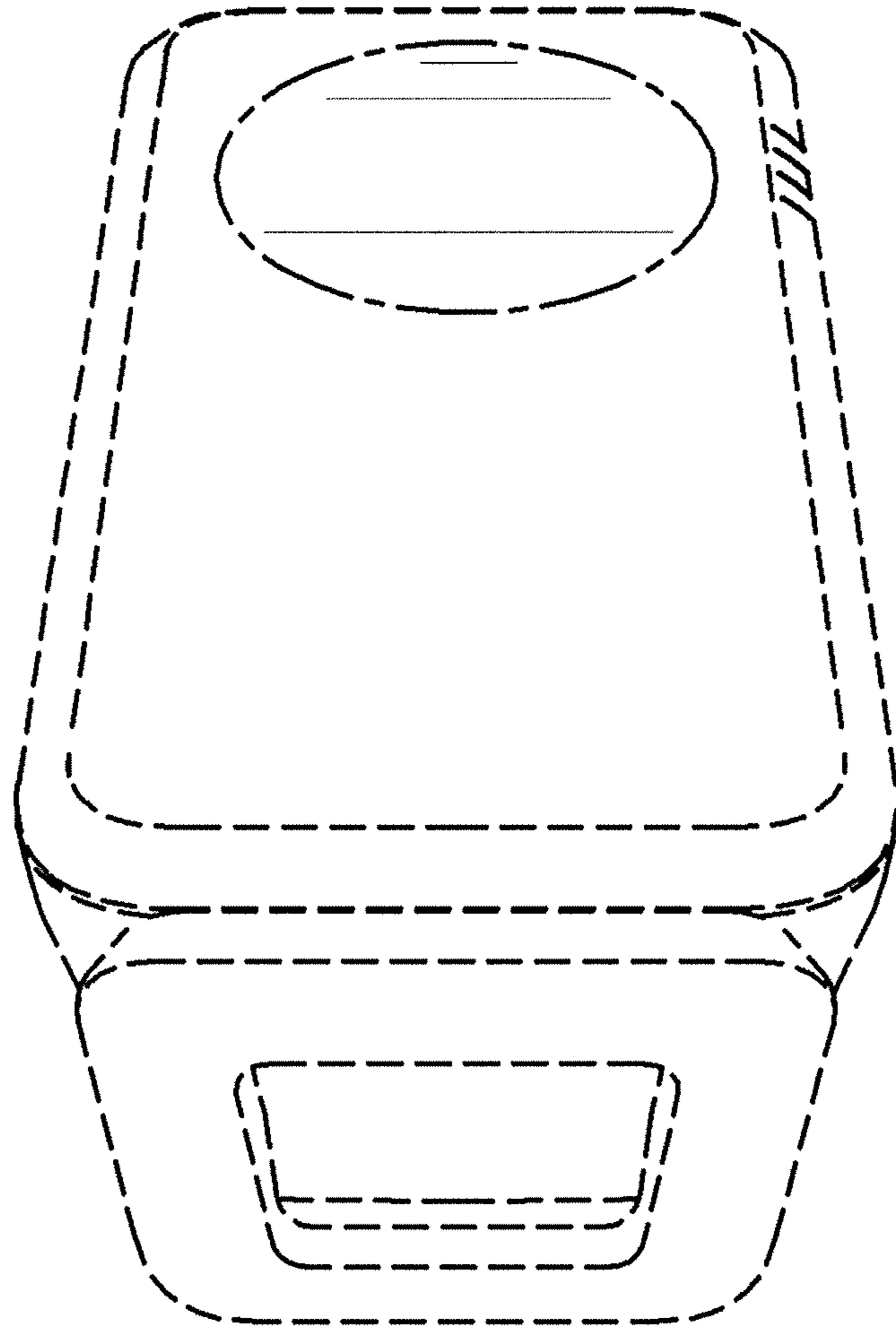


FIG. 35