



US00D748233S

(12) **United States Design Patent**
Choi

(10) **Patent No.:** **US D748,233 S**

(45) **Date of Patent:** **** *Jan. 26, 2016**

(54) **DISPLAY SCREEN FOR AN AIR PURIFIER**

(56) **References Cited**

(71) Applicant: **Coway Co., LTD.**, Gongju-si,
Choongcheongnam-do (KR)

(72) Inventor: **Hun Jung Choi**, Goyang-si (KR)

(73) Assignee: **COWAY CO., LTD.**, Gongju-Si,
Choongcheongnam-Do (KR)

(*) Notice: This patent is subject to a terminal disclaimer.

(**) Term: **14 Years**

(21) Appl. No.: **29/440,055**

(22) Filed: **Dec. 18, 2012**

(30) **Foreign Application Priority Data**

Jun. 19, 2012 (KR) 30-2012-0029857

(51) **LOC (10) Cl.** **23-04**

(52) **U.S. Cl.**
USPC **D23/364**

(58) **Field of Classification Search**
USPC D23/355, 359, 360, 364, 365, 386, 392,
D23/393, 401; D6/663, 667, 675; D5/1-3
CPC A61L 9/00; A61L 9/02; A61L 9/03;
A61L 9/032; A61L 9/035; A61L 9/037;
A61L 9/04; A61L 9/12; A61L 9/22

See application file for complete search history.

U.S. PATENT DOCUMENTS

D512,494 S *	12/2005	Haranaka	D23/355
D513,070 S *	12/2005	Haranaka	D23/355
D523,414 S *	6/2006	Kobayashi	D14/188
D539,883 S *	4/2007	Lee et al.	D23/351
D557,394 S *	12/2007	Martin et al.	D23/355
D581,506 S *	11/2008	Kelnhofer	D23/360
D583,450 S *	12/2008	Choi	D23/364
D625,398 S *	10/2010	Choi	D23/364
D656,230 S *	3/2012	Robinson et al.	D23/363
D664,636 S *	7/2012	Robinson et al.	D23/360
D700,959 S *	3/2014	Sickinger et al.	D23/355
D705,918 S *	5/2014	Robinson et al.	D23/360
2009/0293888 A1 *	12/2009	Williams et al.	131/178
2009/0293892 A1 *	12/2009	Williams et al.	131/328

* cited by examiner

Primary Examiner — Sandra Snapp

(74) *Attorney, Agent, or Firm* — McDermott Will & Emery LLP

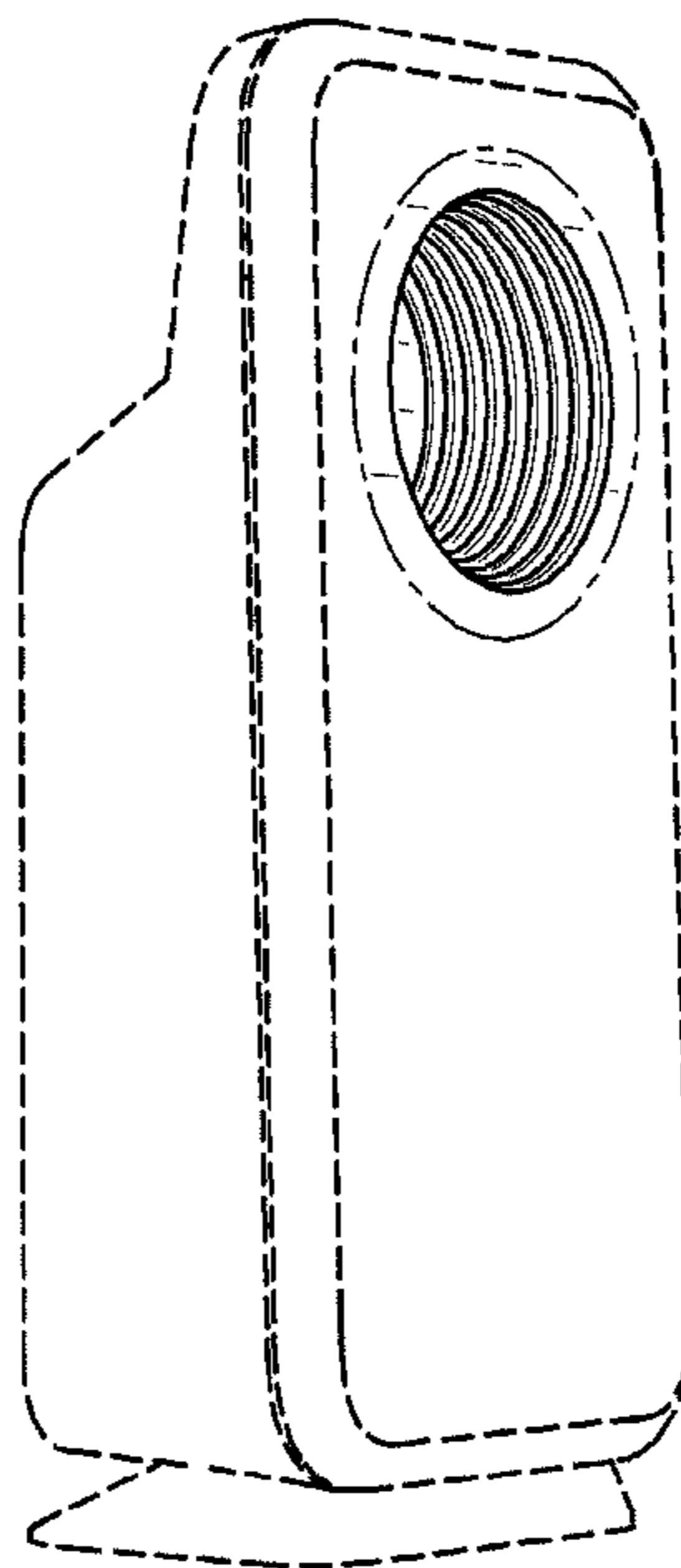
(57) **CLAIM**

The ornamental design for a display screen for an air purifier, as shown and described.

DESCRIPTION

FIGS. 1-9 are top perspective views of a display screen for an air purifier as an inner circular element changes its shape; FIGS. 10-18 are left perspective views of FIGS. 1-9; FIGS. 19-27 are front views of FIGS. 1-9; FIGS. 28-36 are right perspective views of FIGS. 1-9; and, FIGS. 37-45 are bottom perspective views of FIGS. 1-9. The broken lines showing various elements of the display screen for an air purifier are included for the purpose of illustrating non-claimed subject matter and form no part of the claimed design.

1 Claim, 45 Drawing Sheets



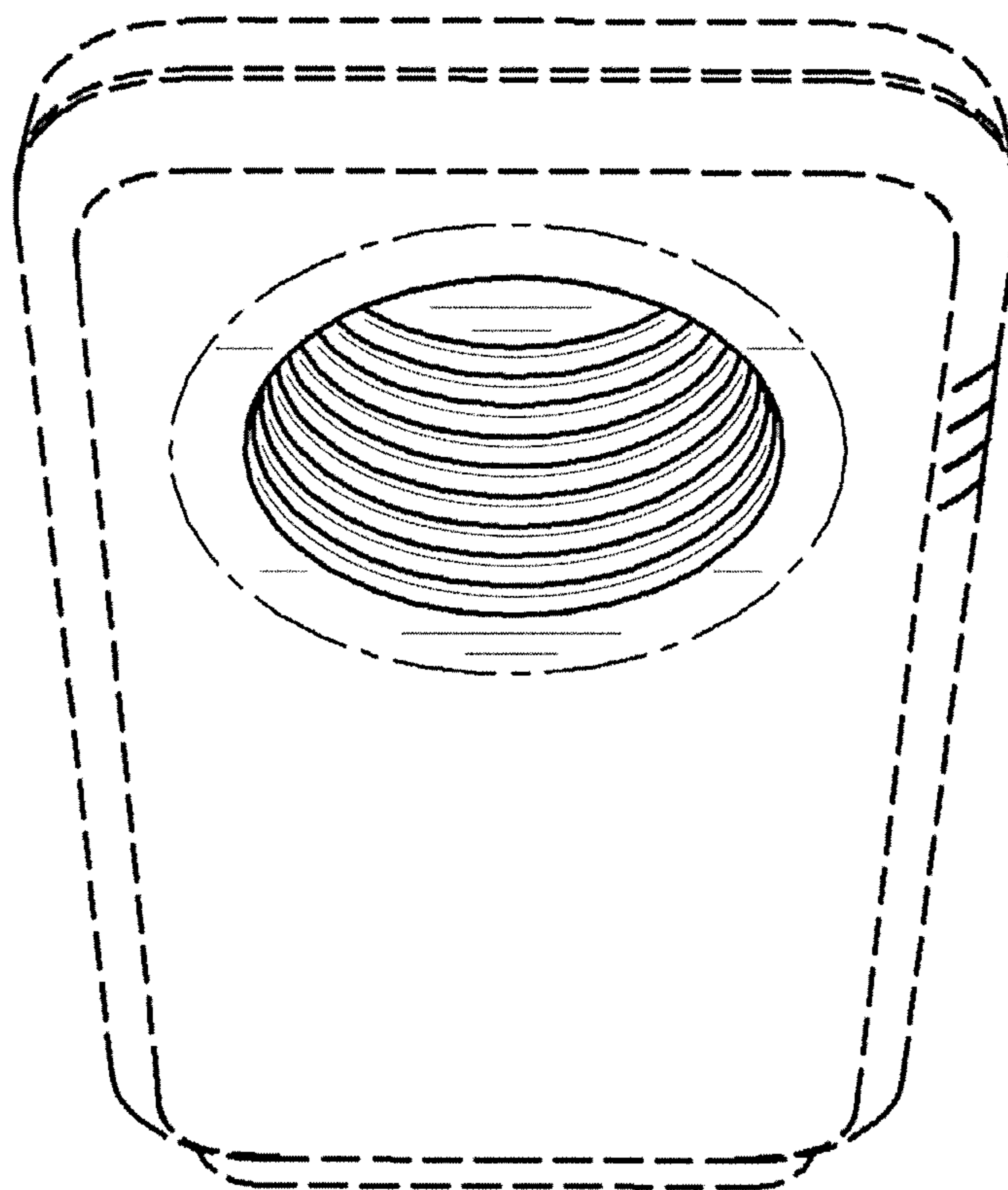


FIG. 1

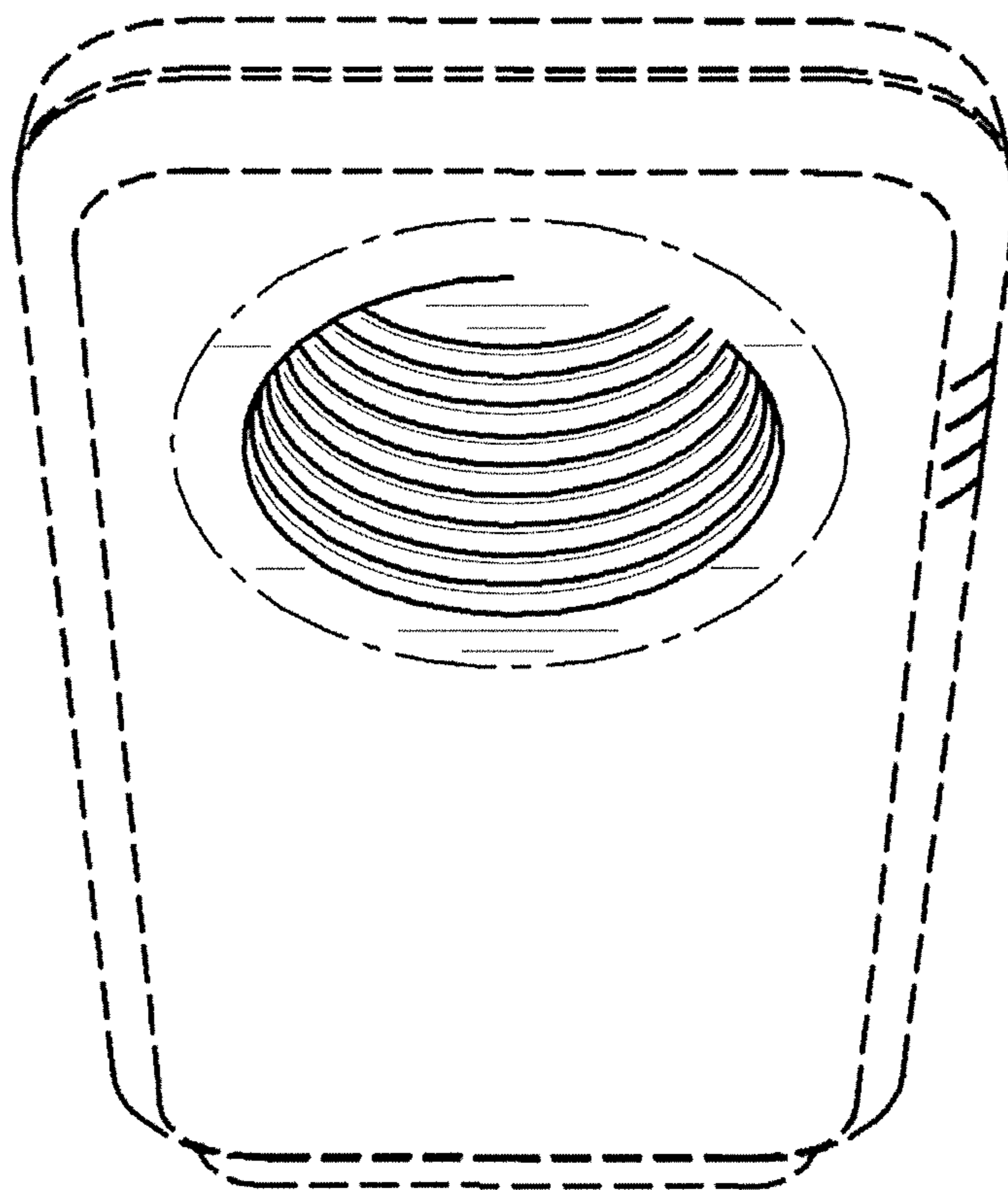


FIG. 2

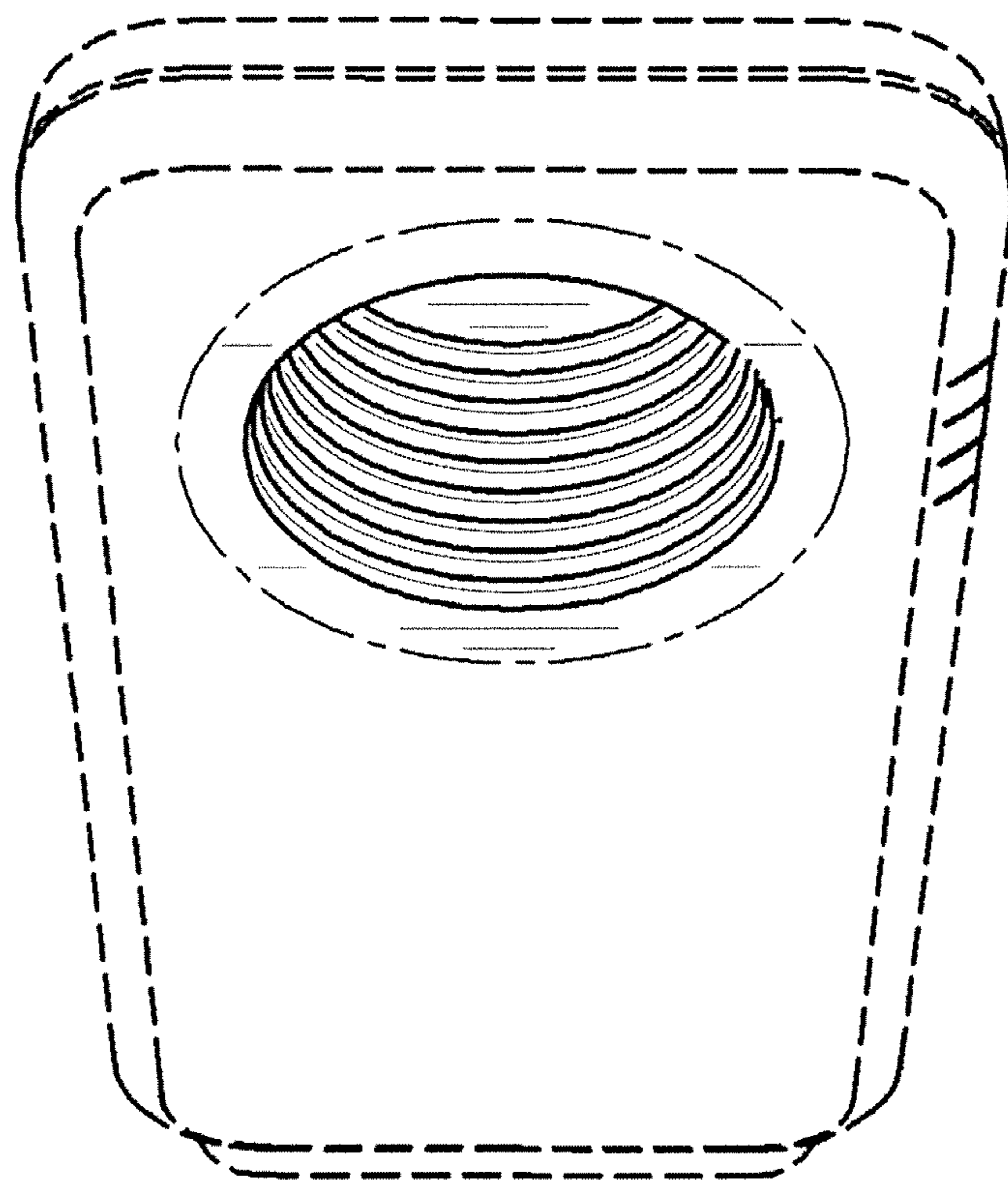


FIG. 3

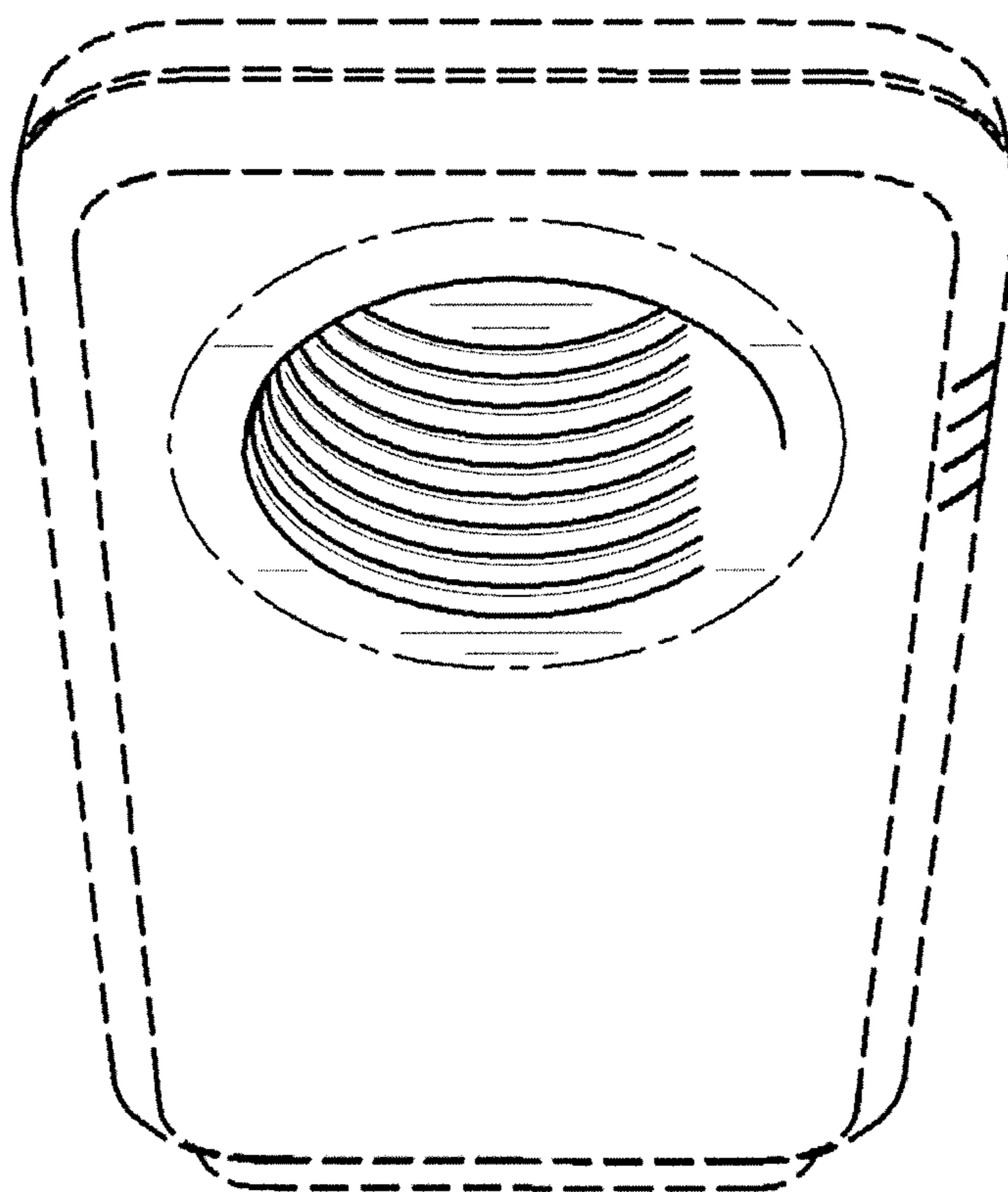


FIG. 4

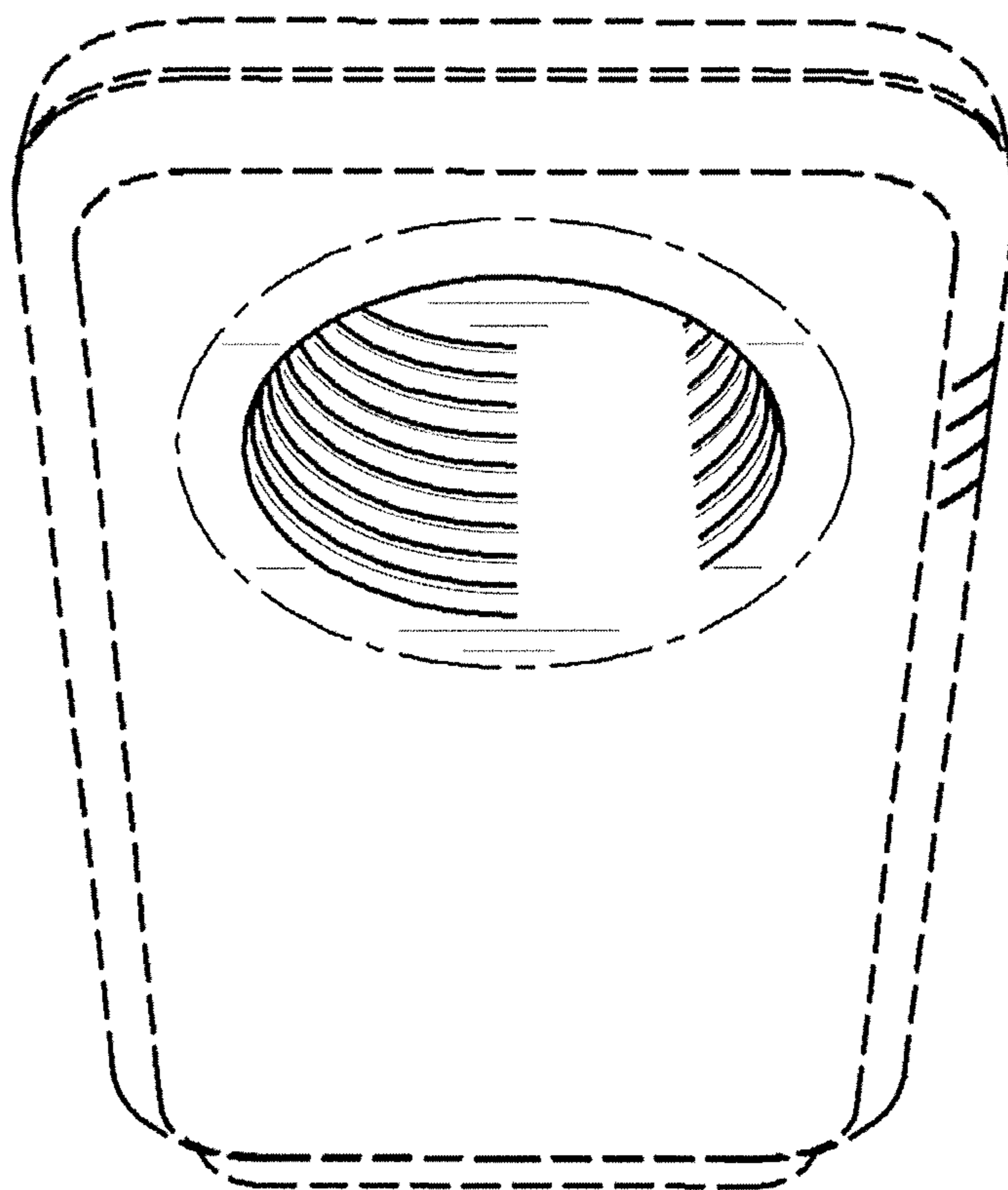


FIG. 5

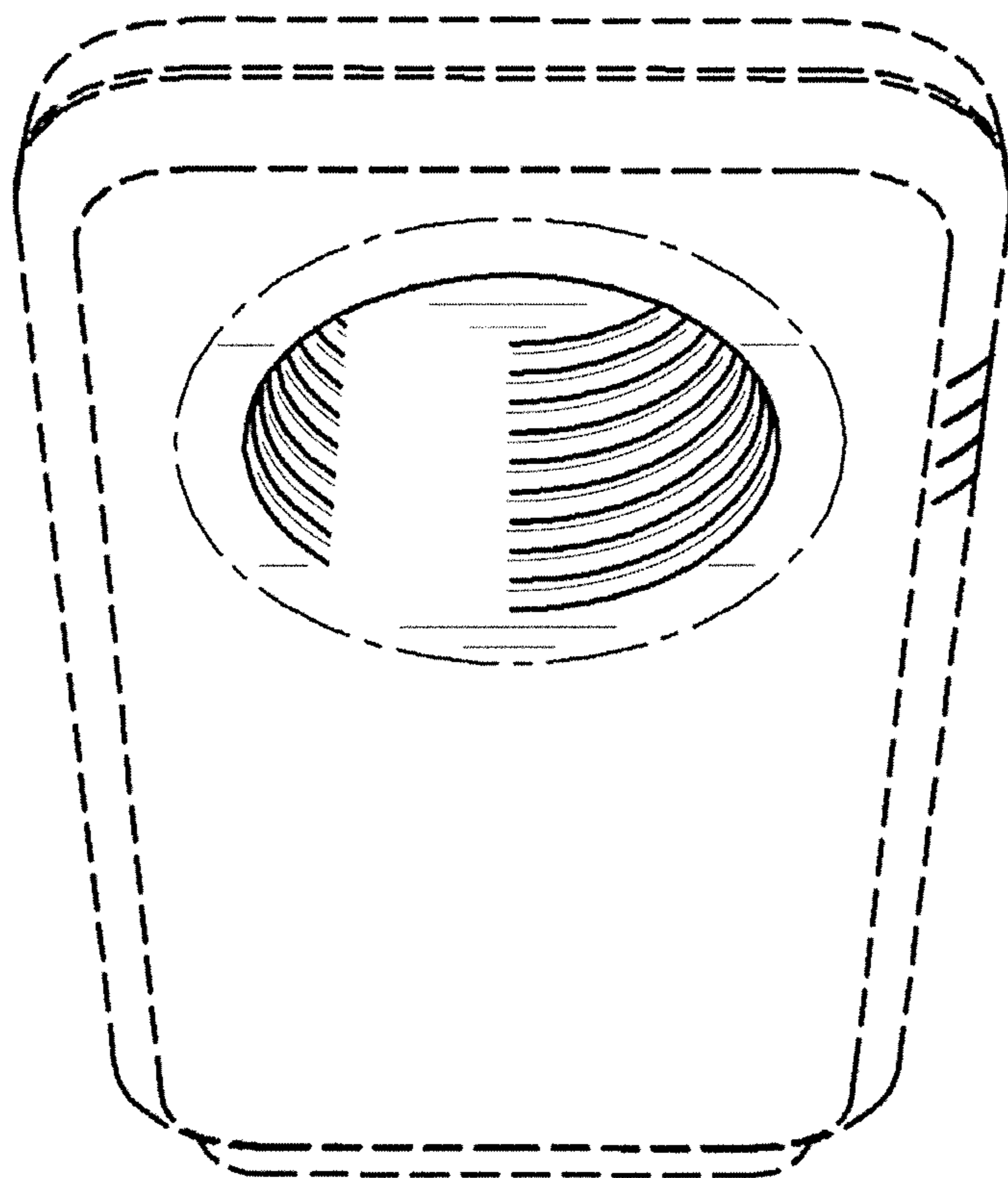


FIG. 6

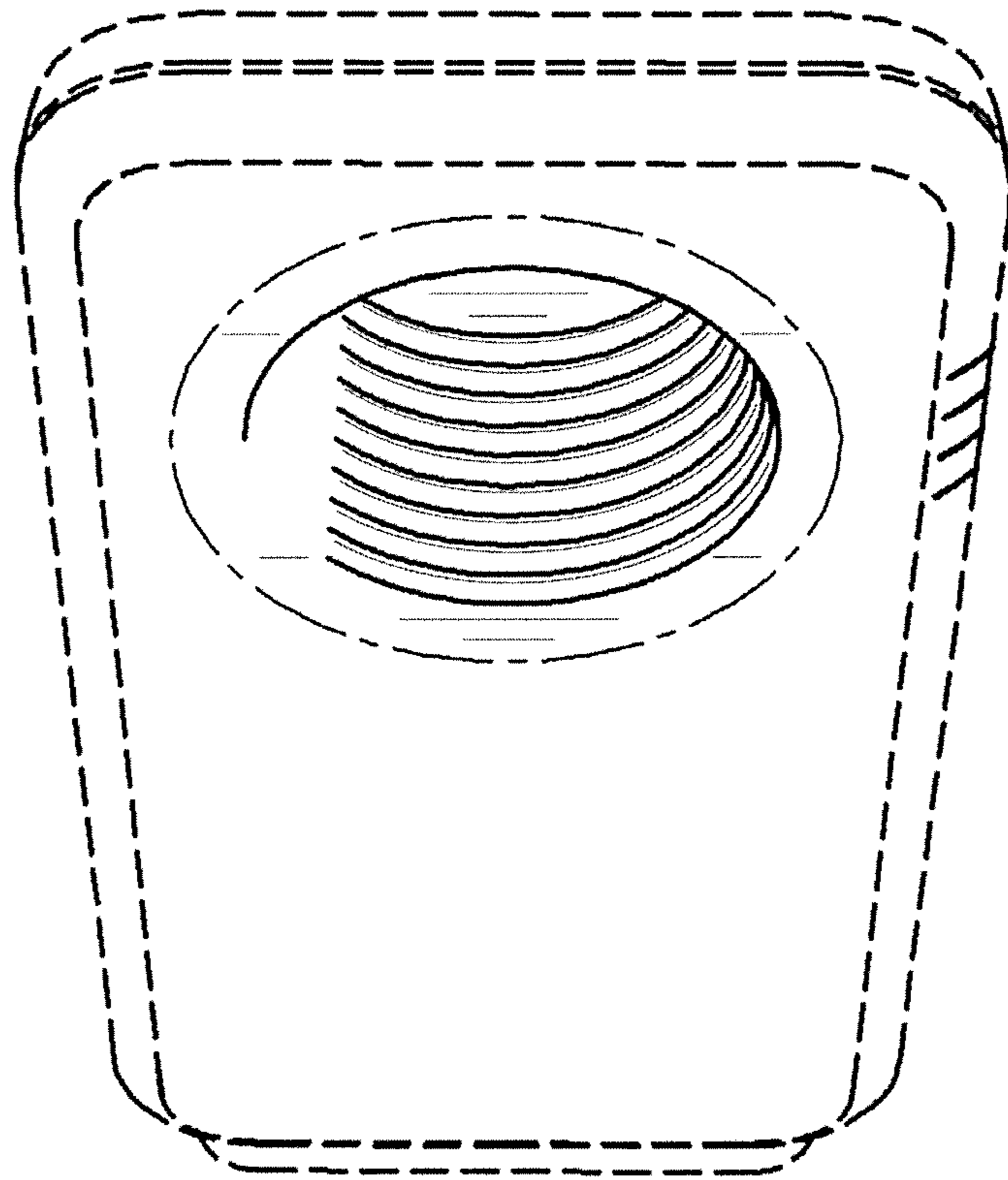


FIG. 7

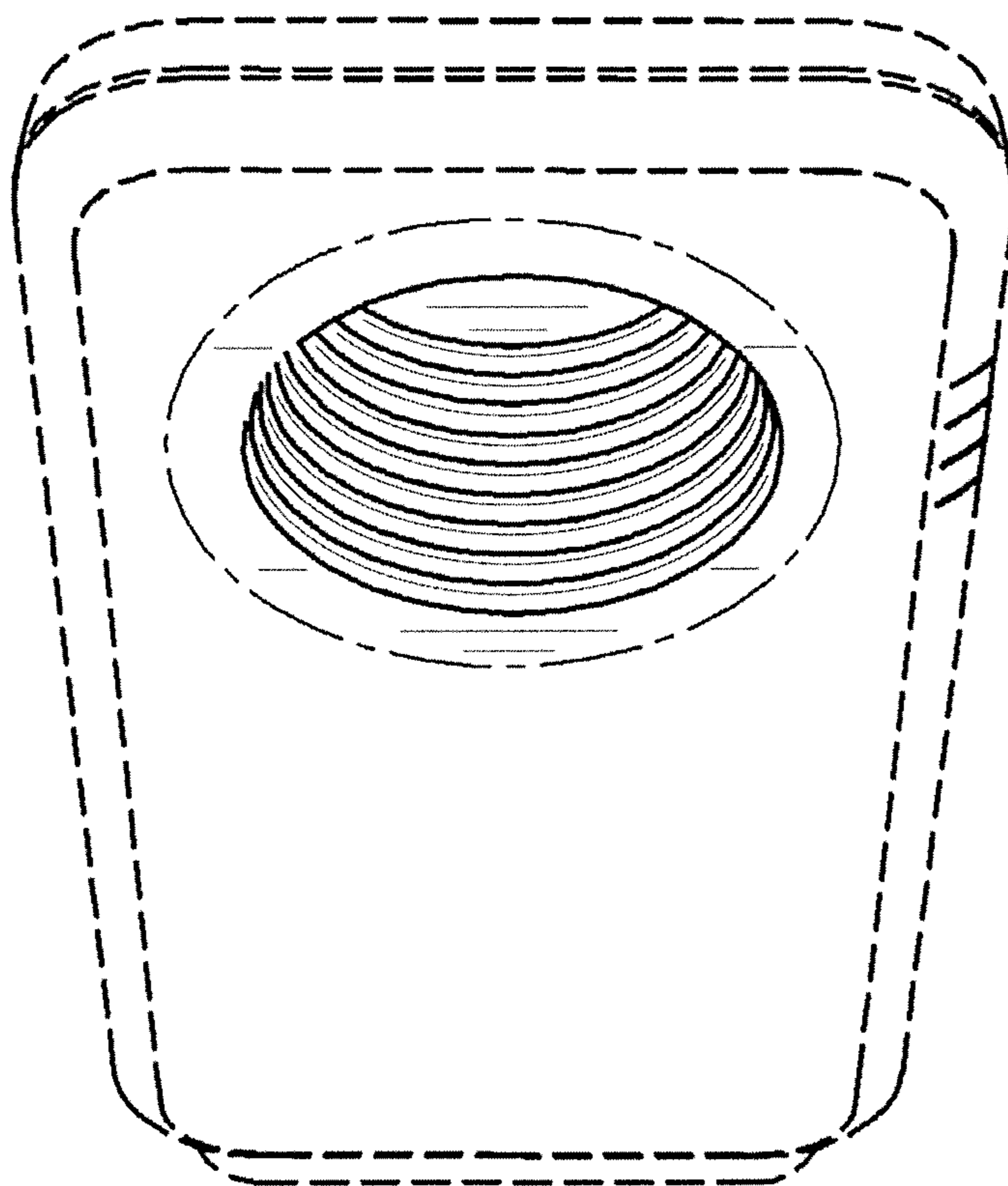


FIG. 8

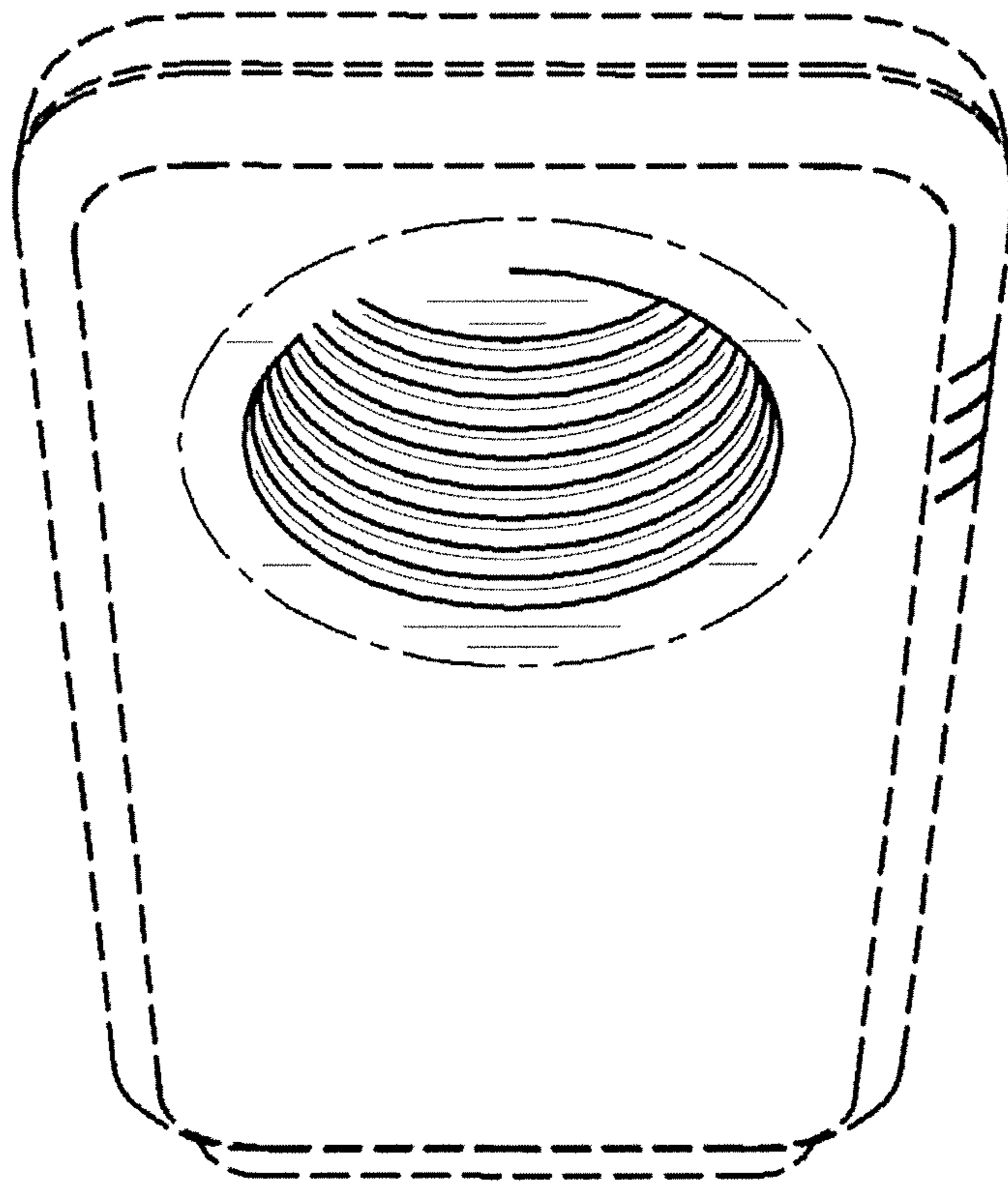


FIG. 9

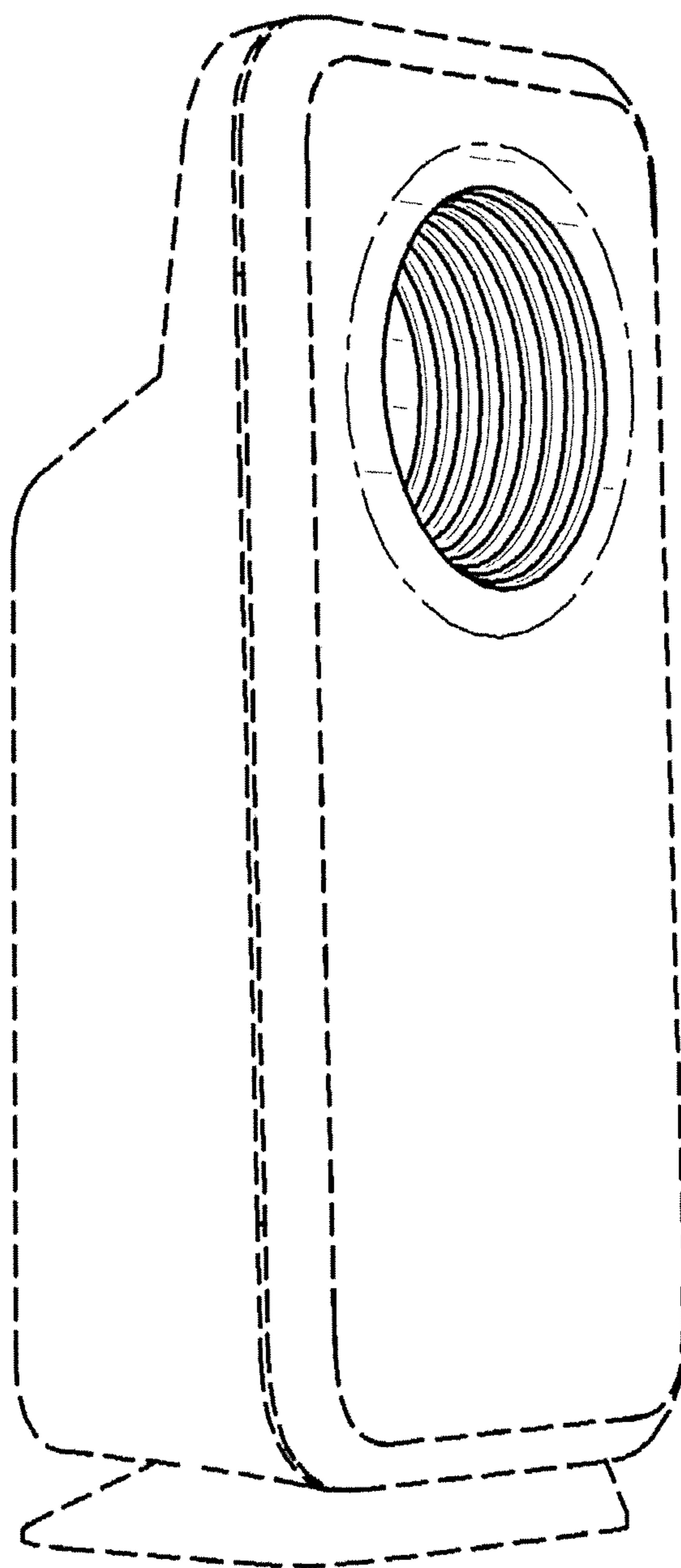


FIG. 10

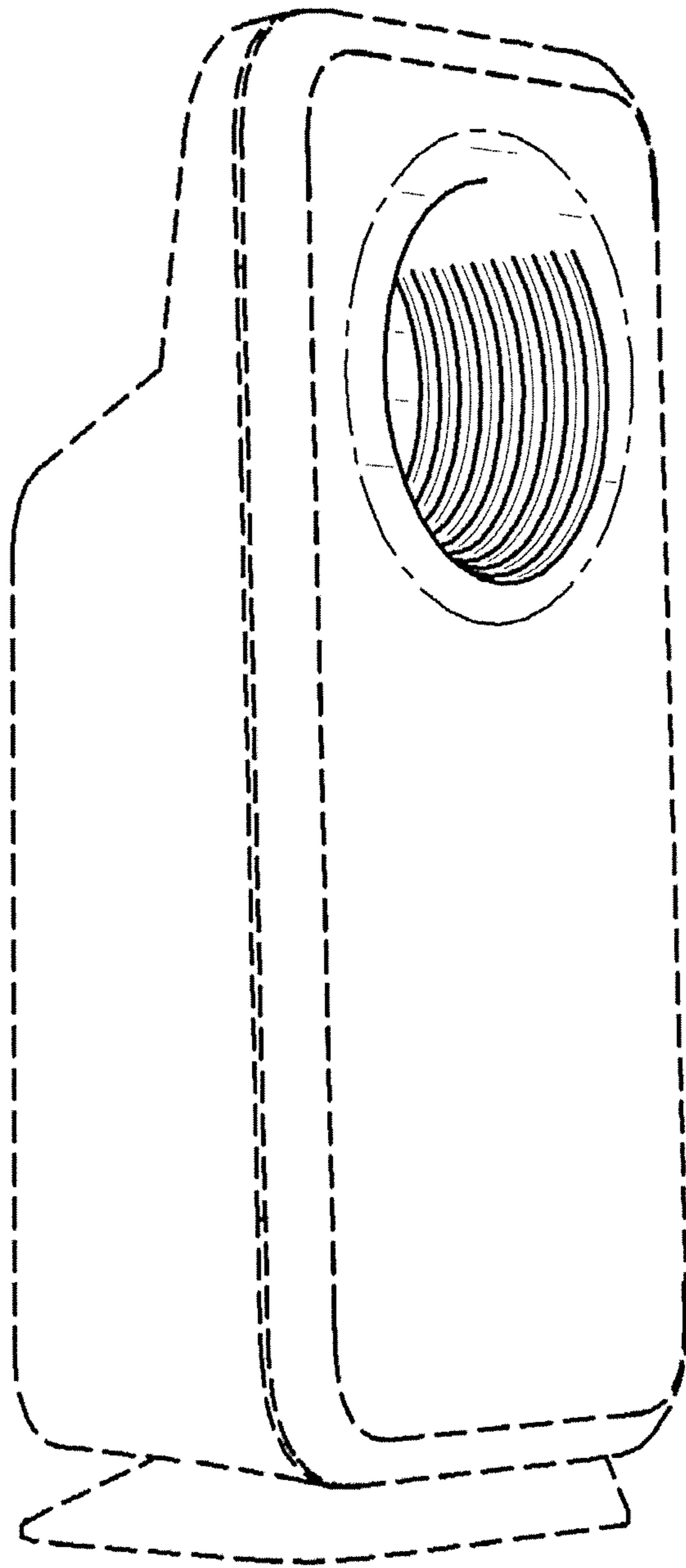


FIG. 11

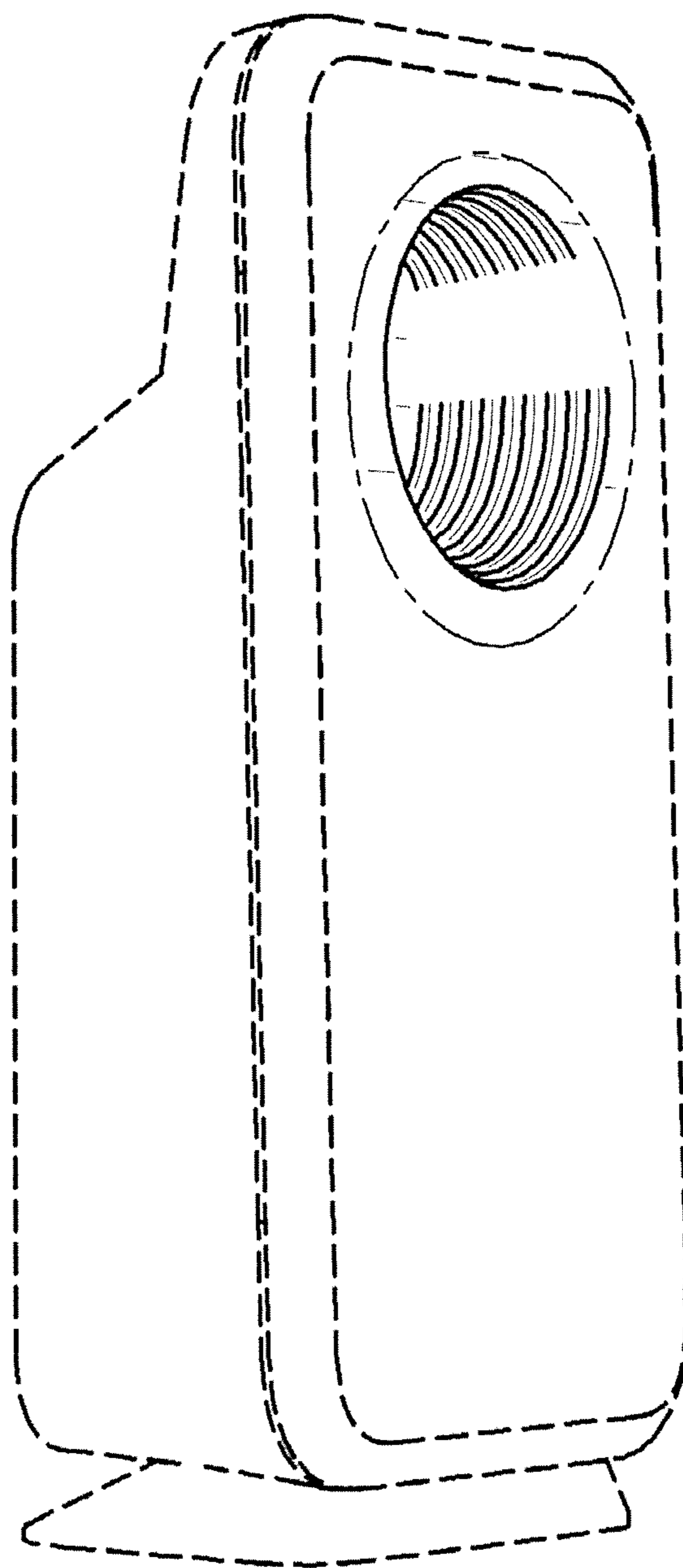


FIG. 12

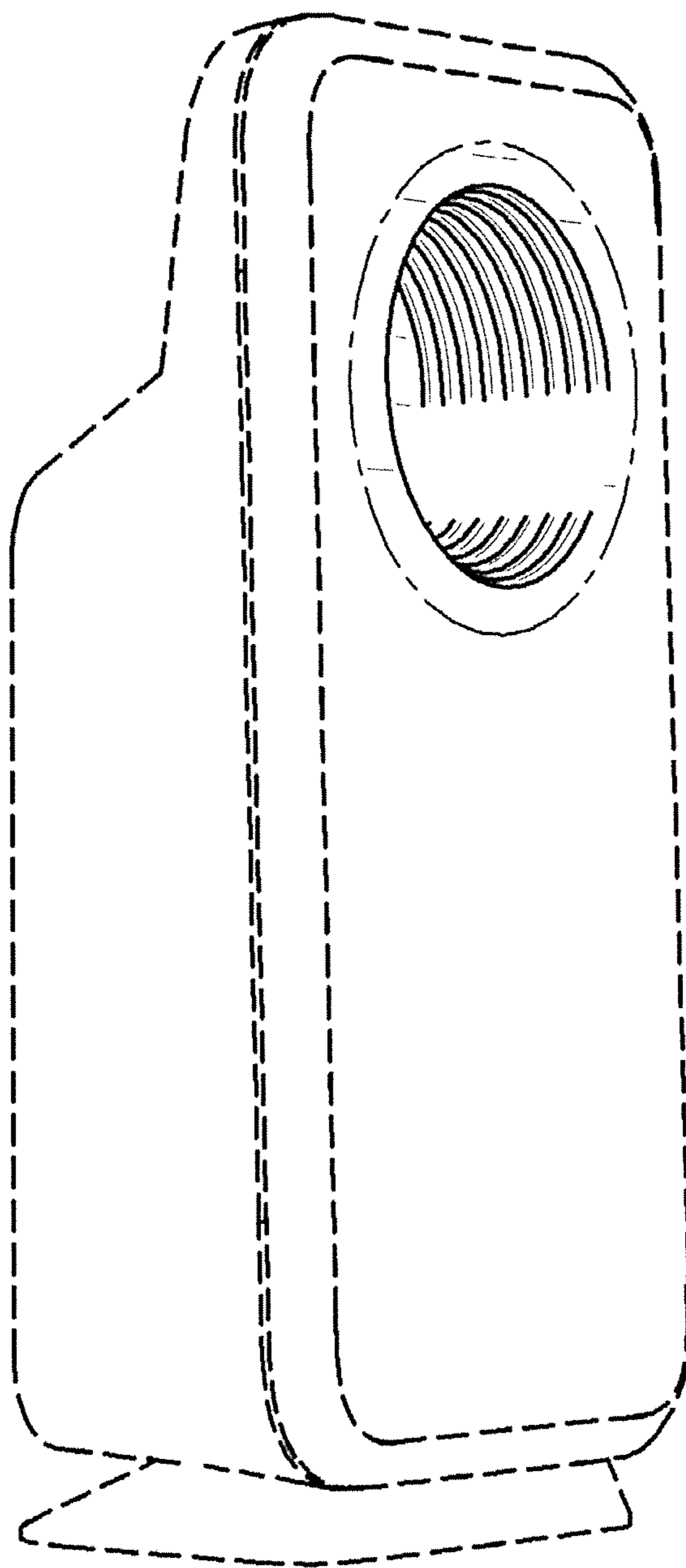


FIG. 13

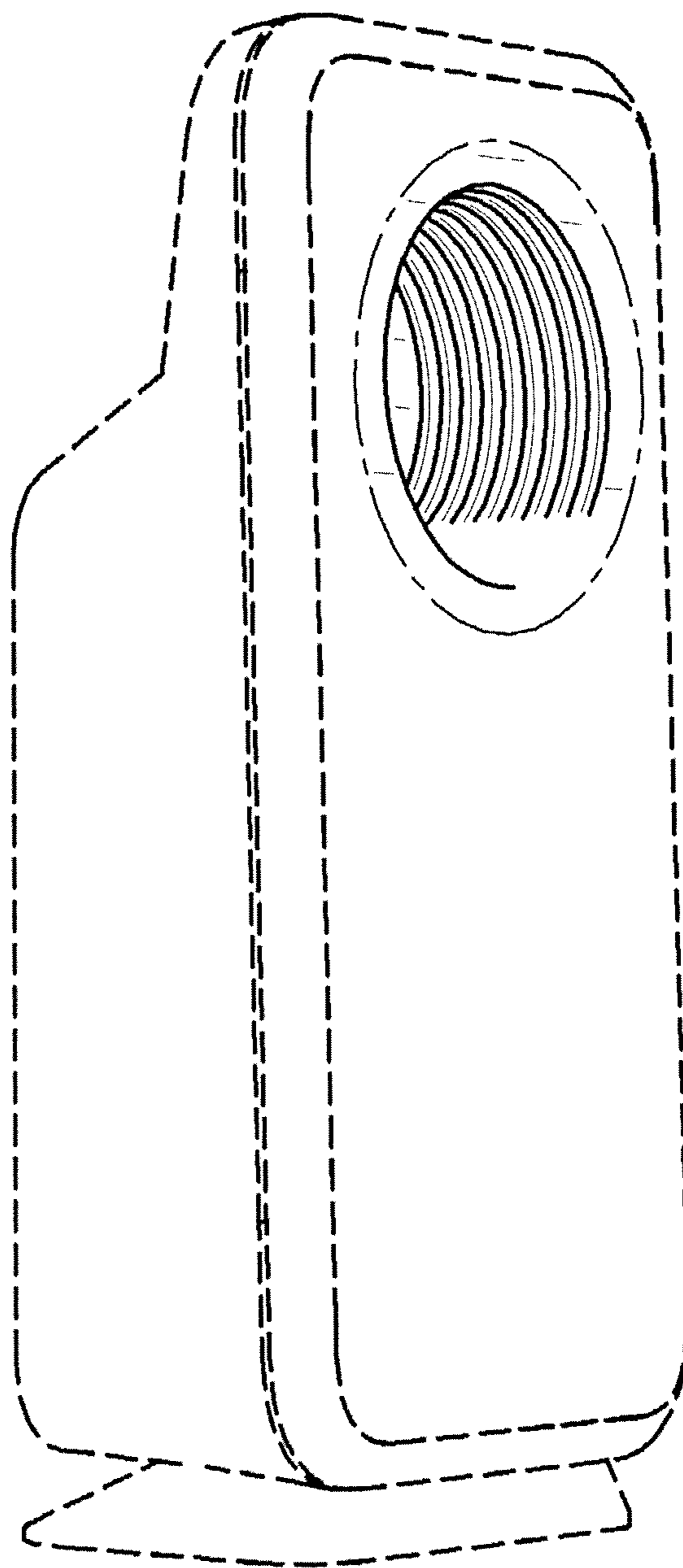


FIG. 14

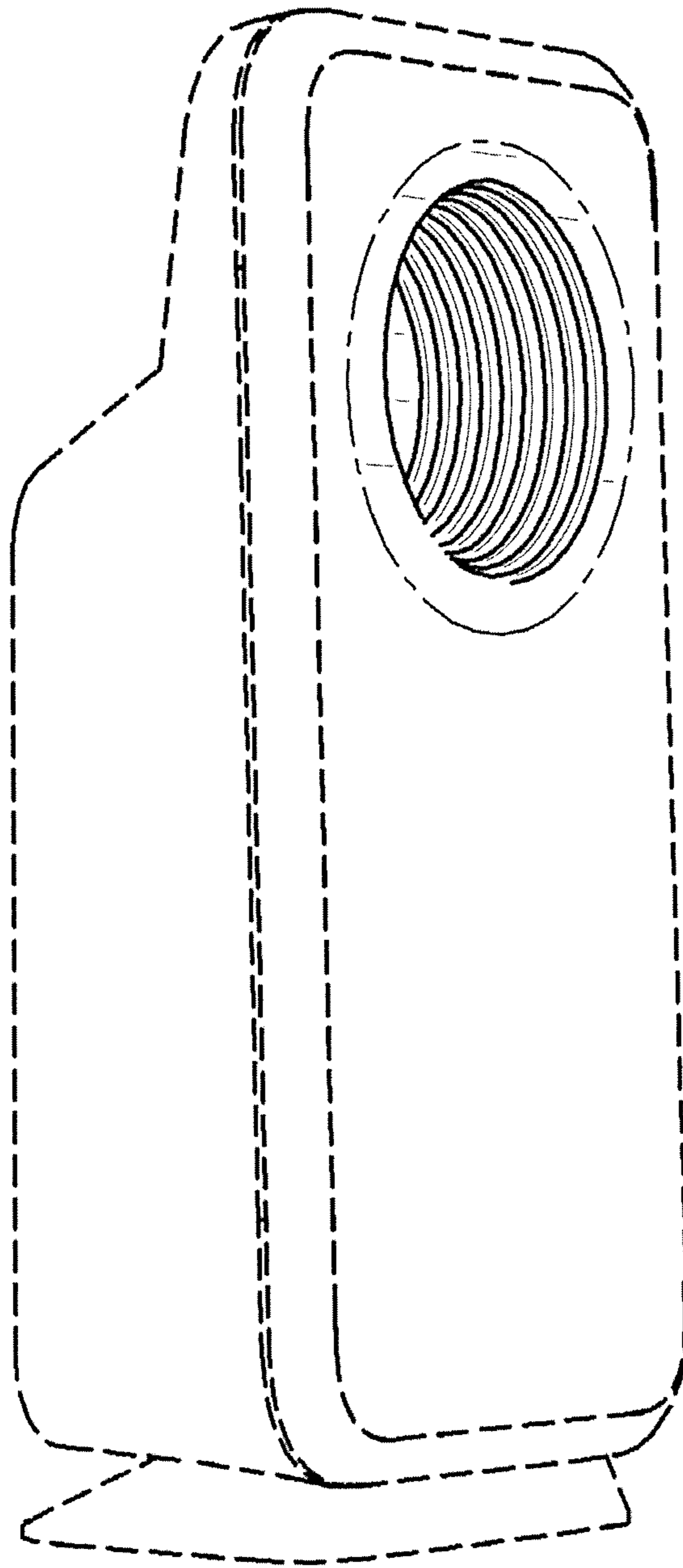


FIG. 15

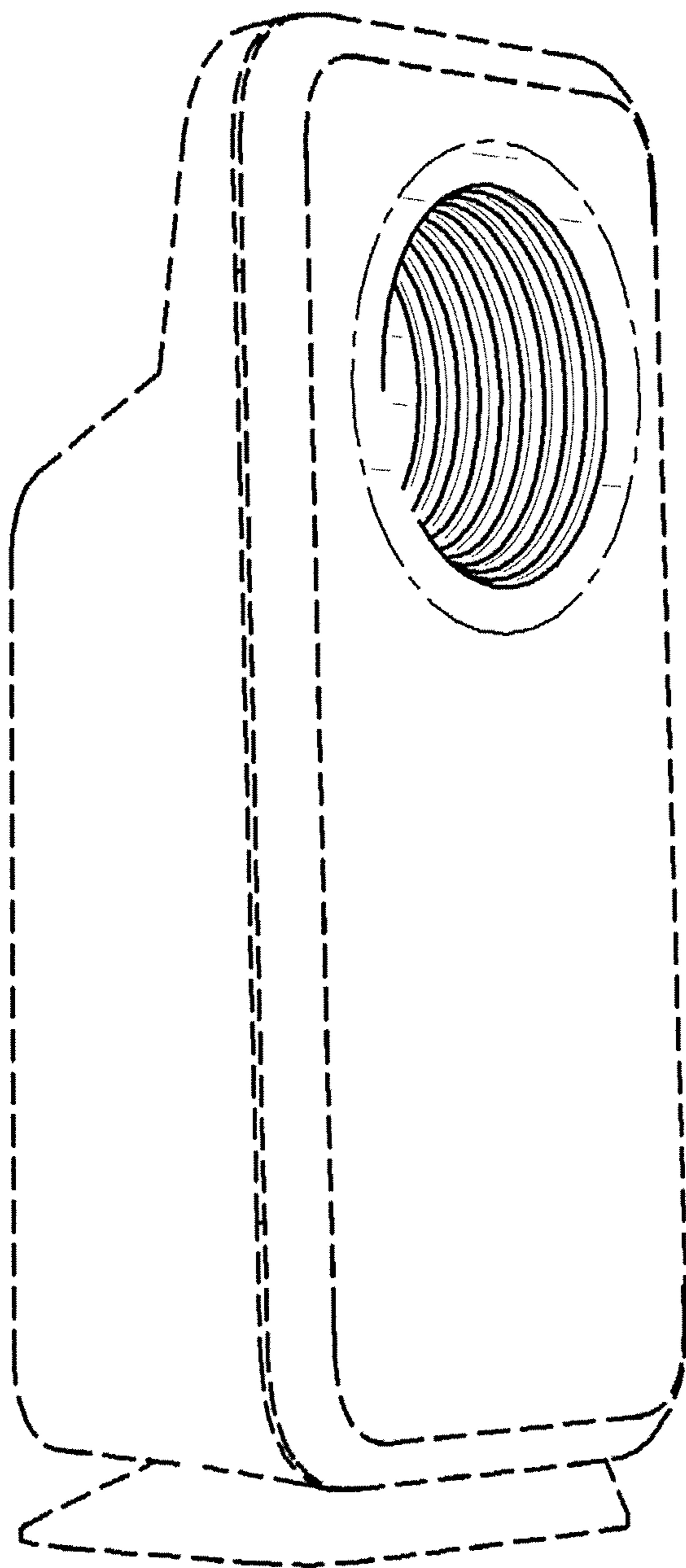


FIG. 16

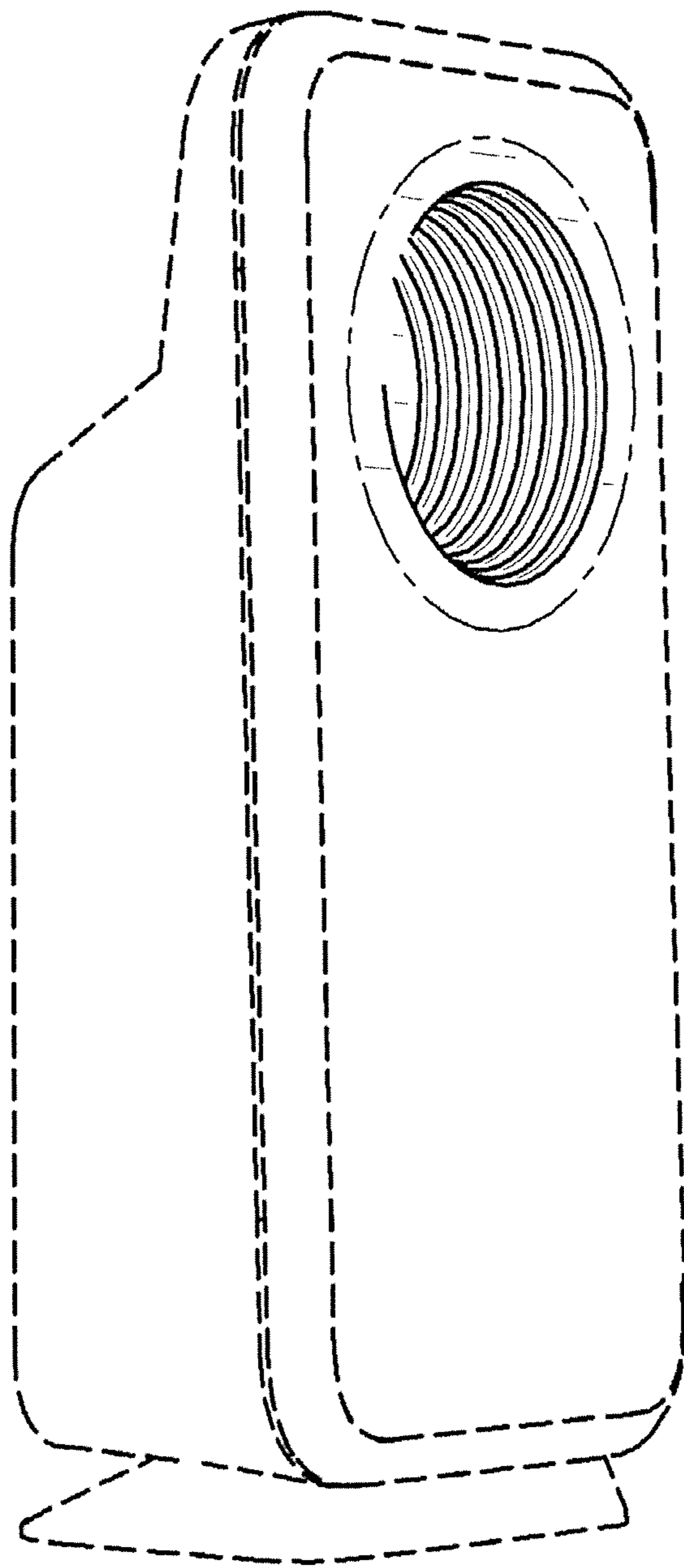


FIG. 17

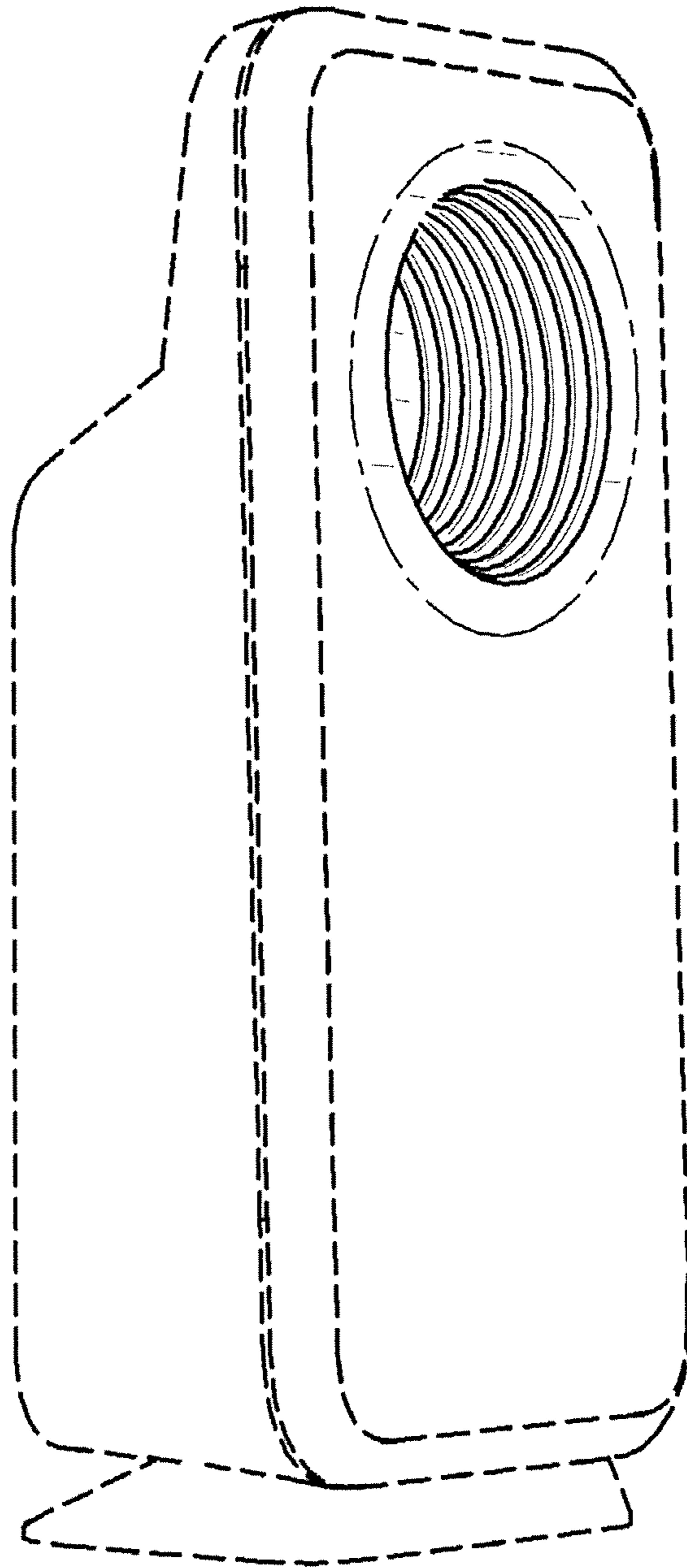


FIG. 18

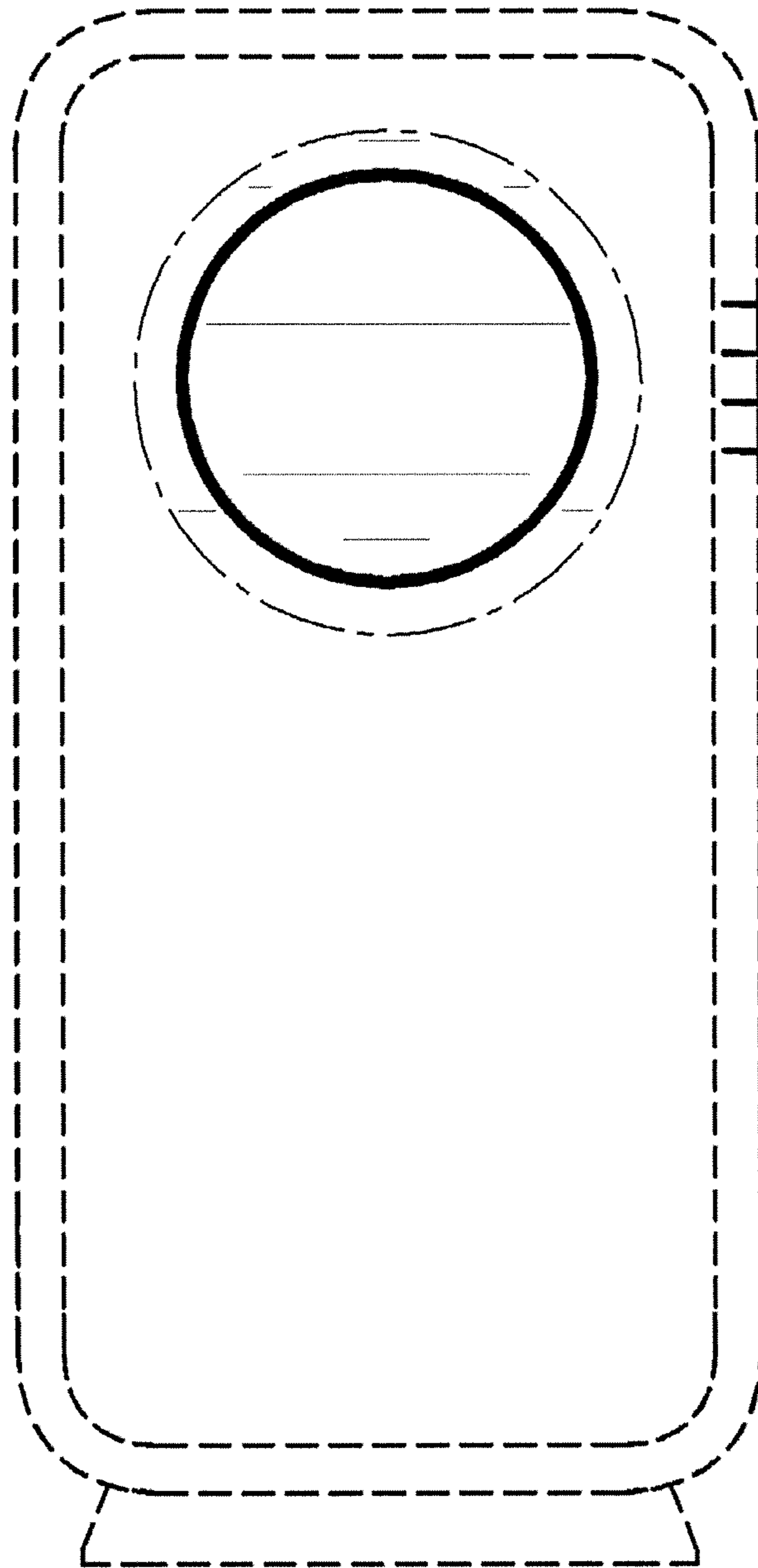


FIG. 19

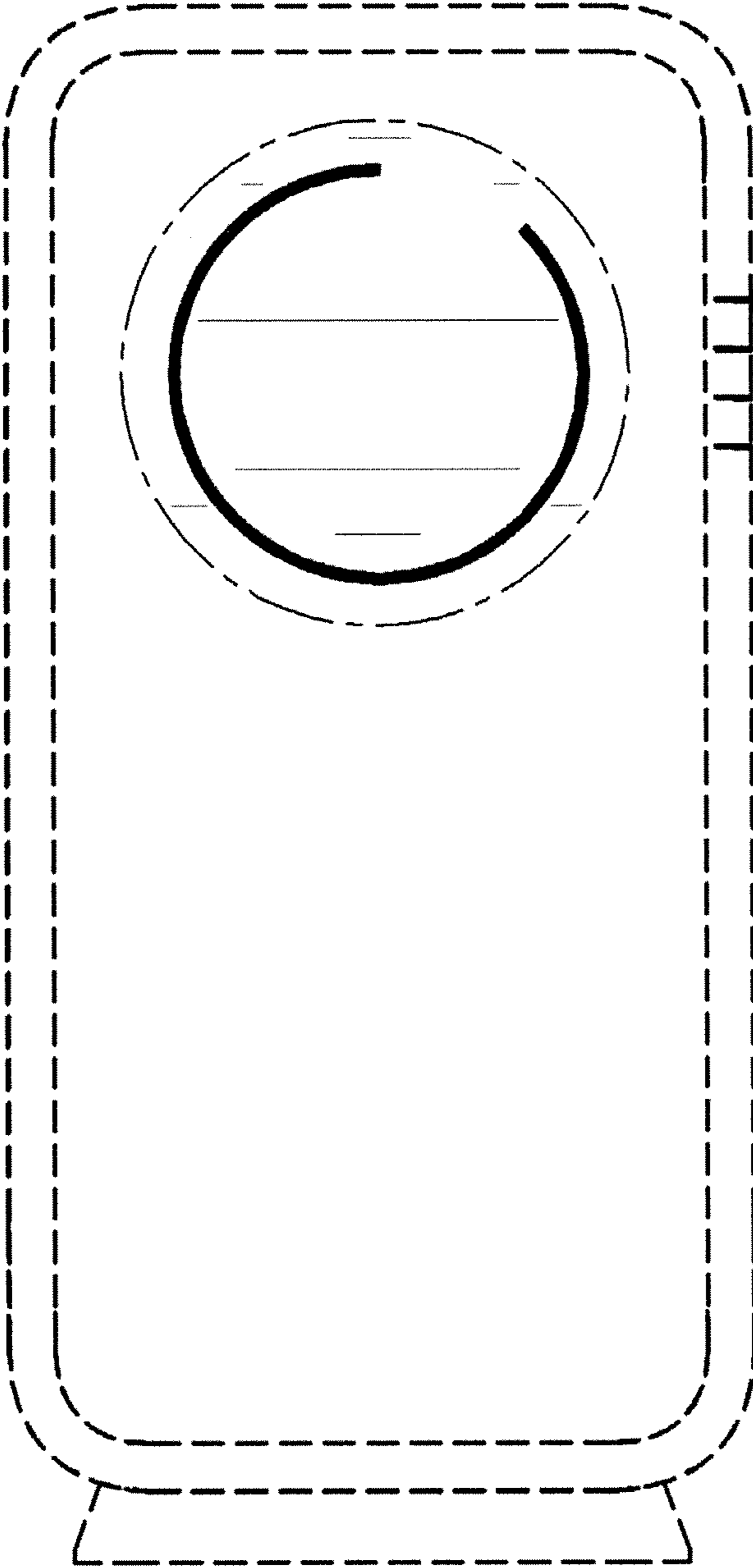


FIG. 20

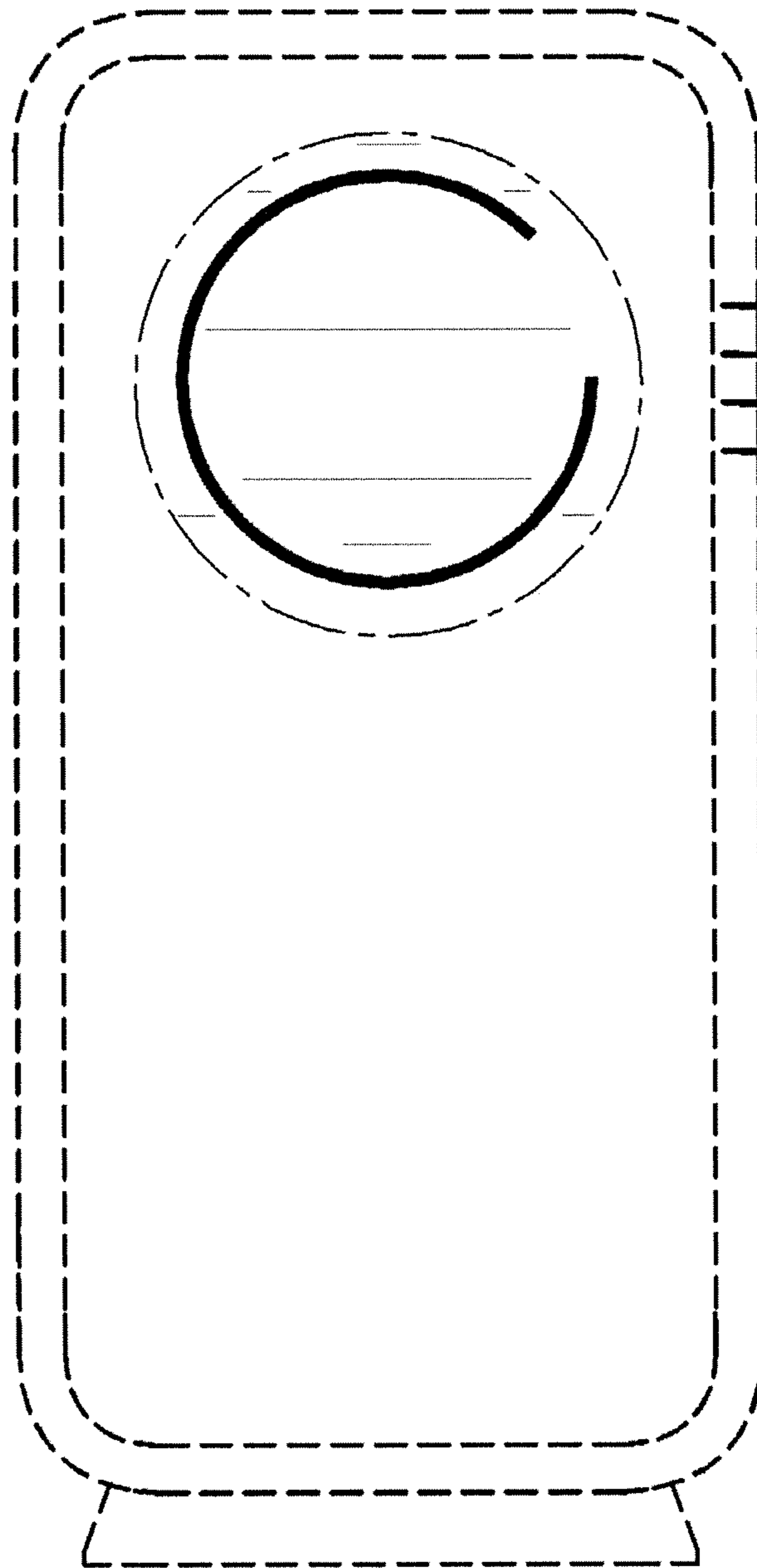


FIG. 21

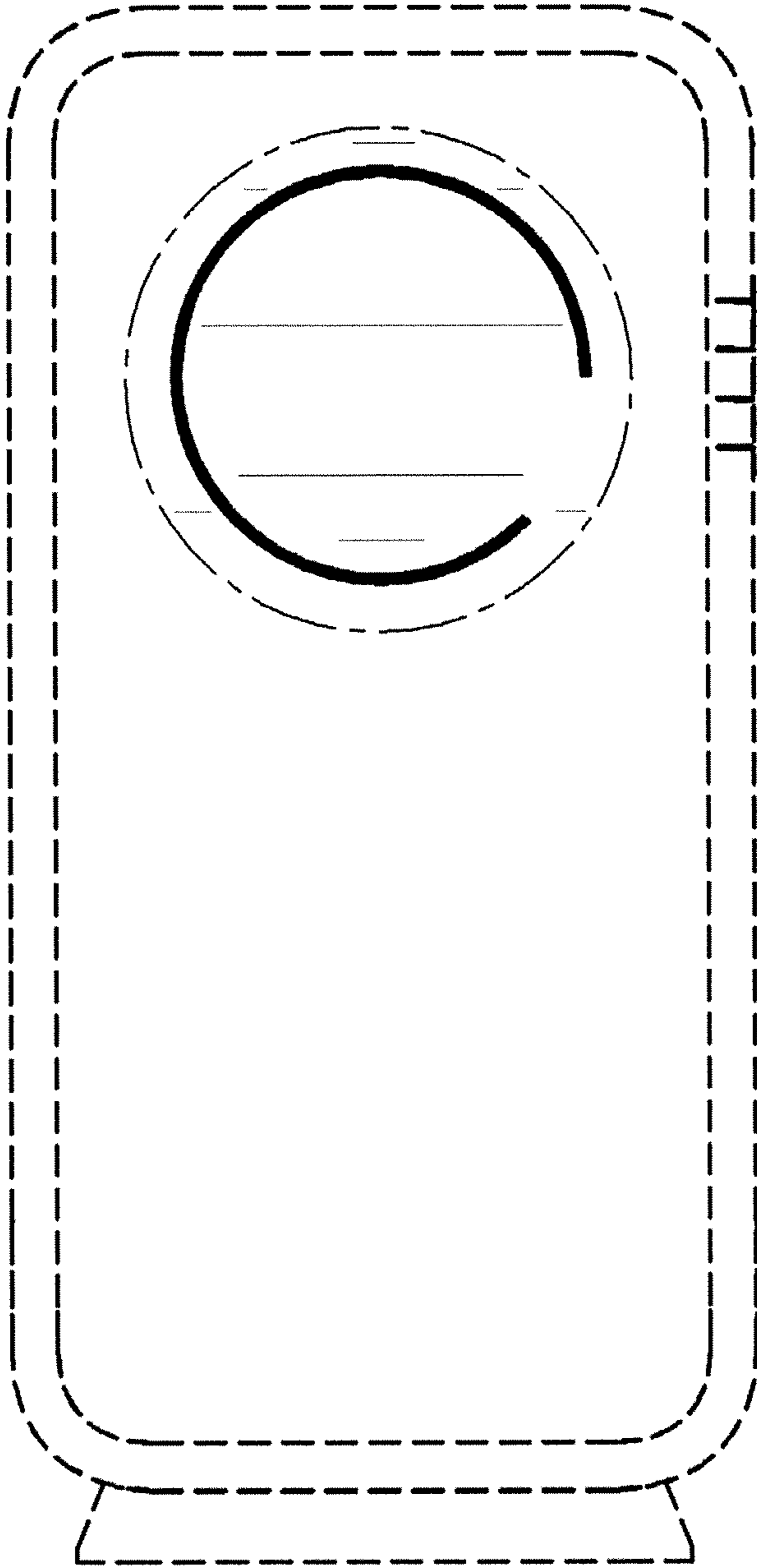


FIG. 22

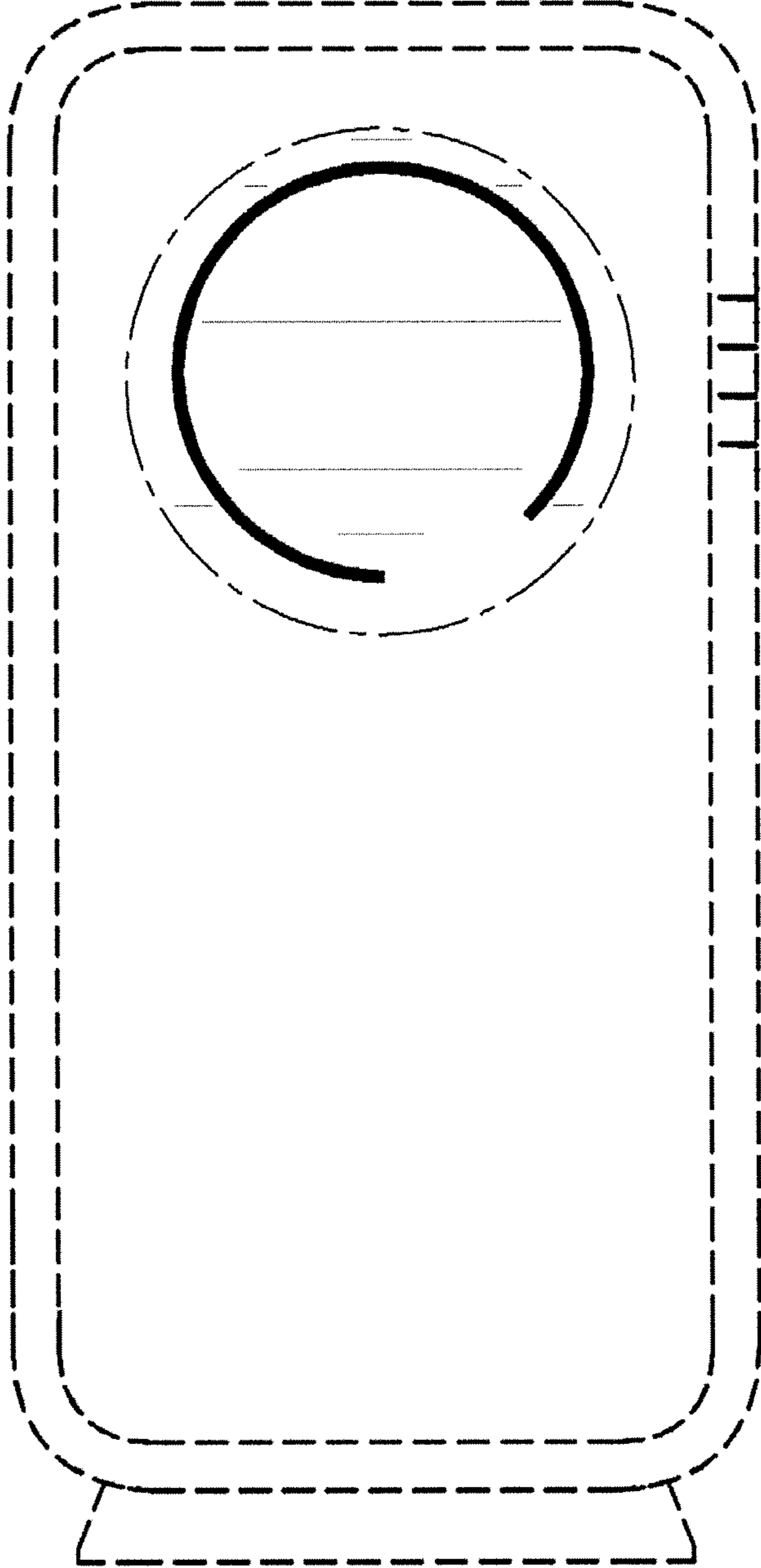


FIG. 23

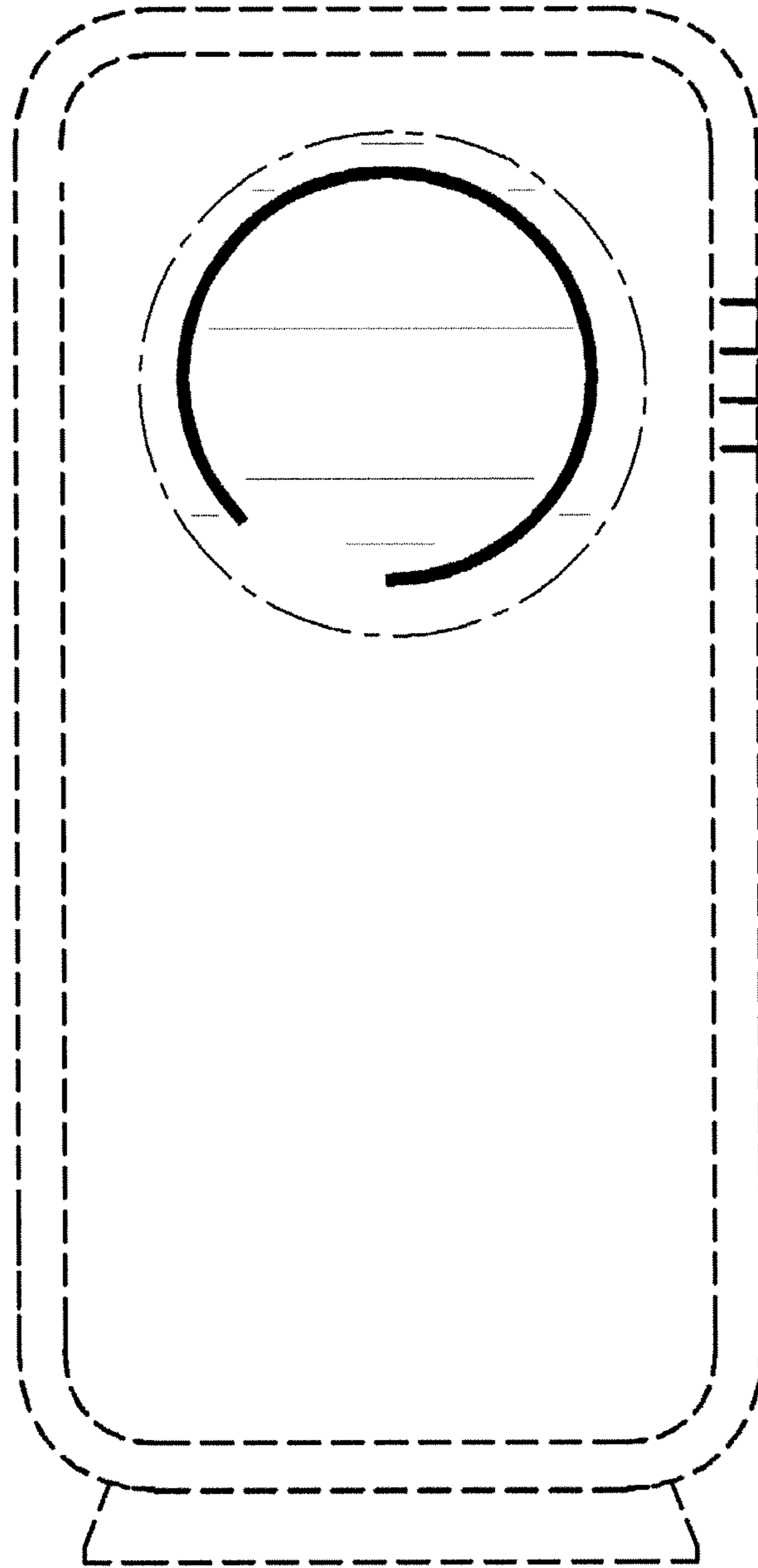


FIG. 24

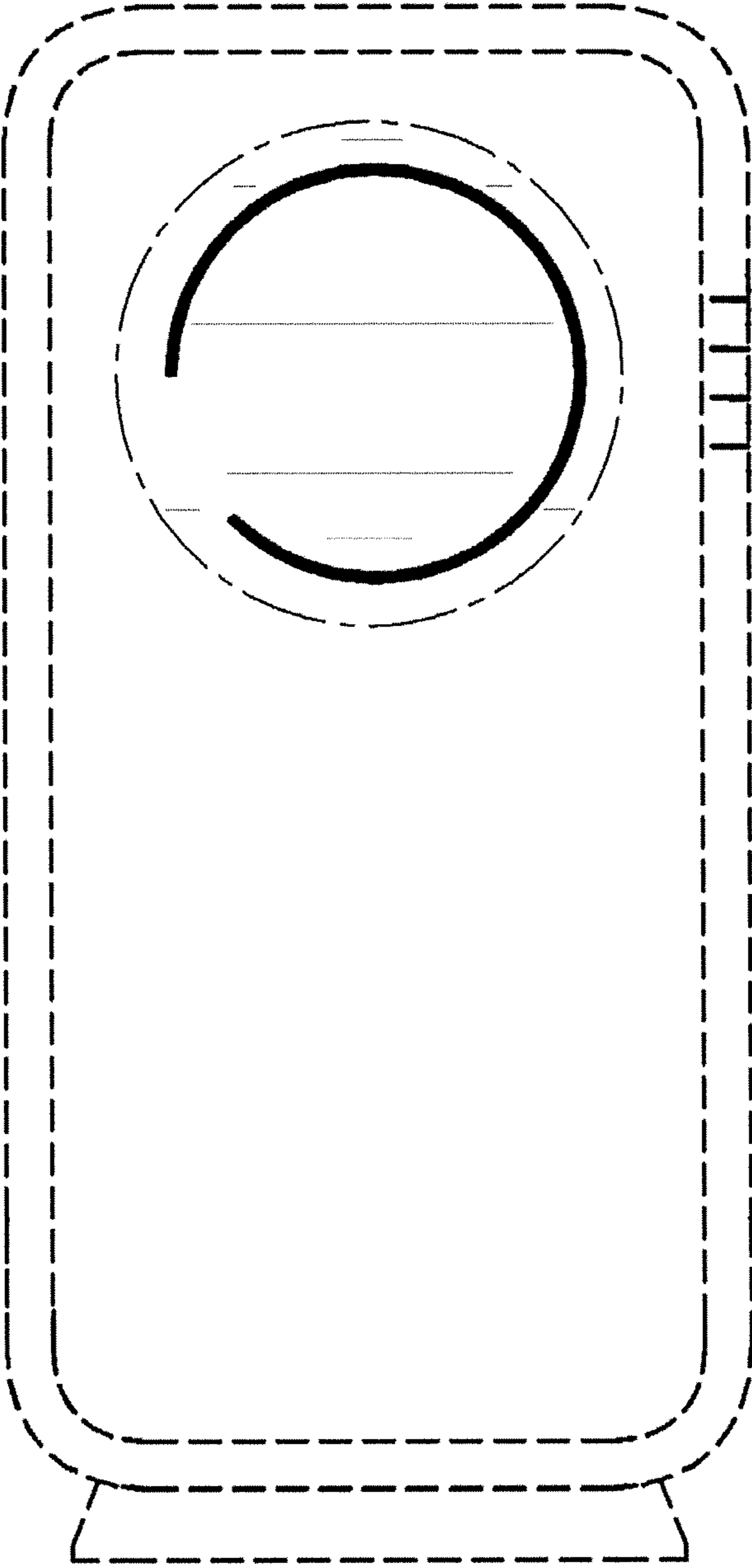


FIG. 25

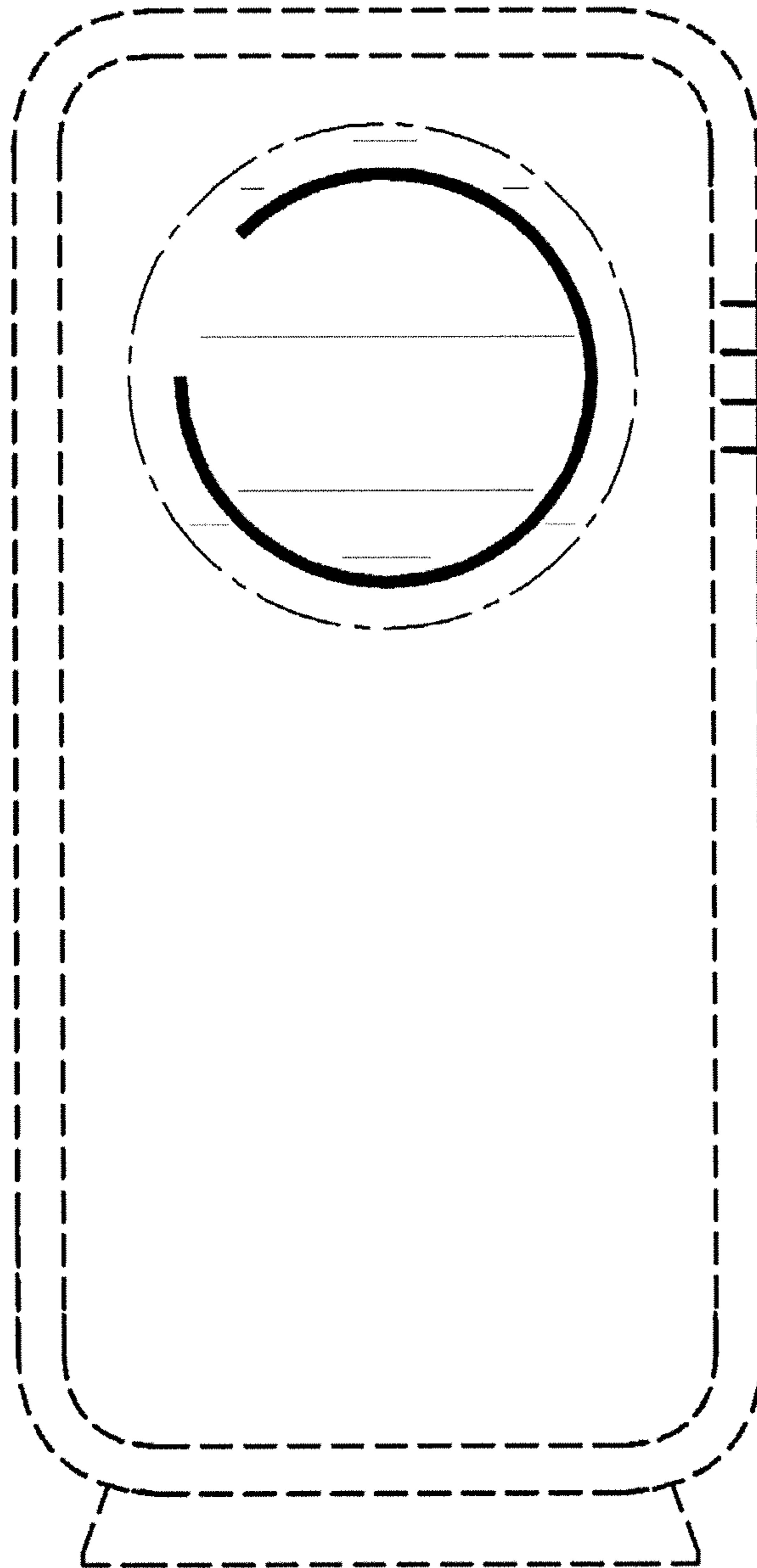


FIG. 26

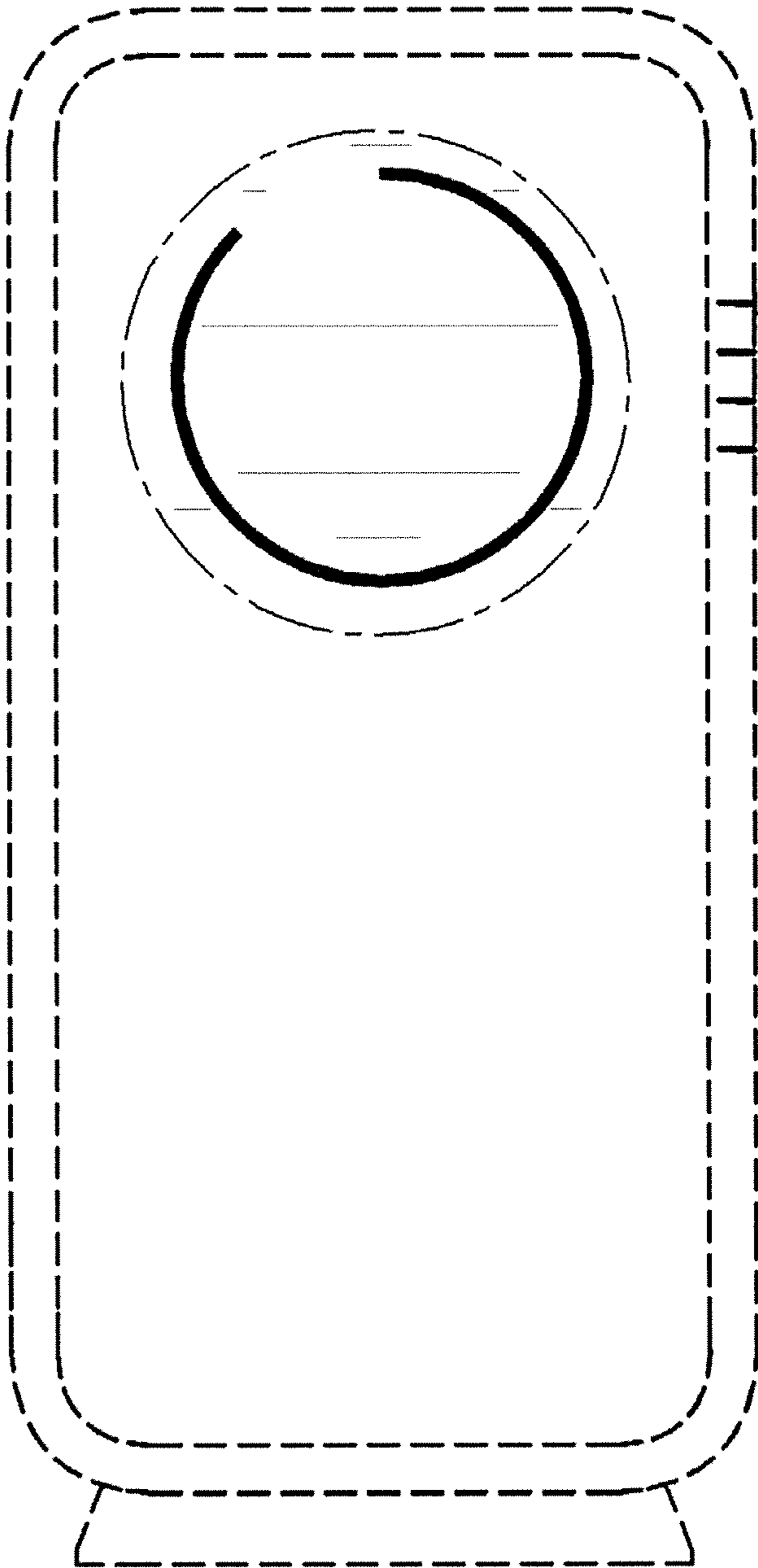


FIG. 27

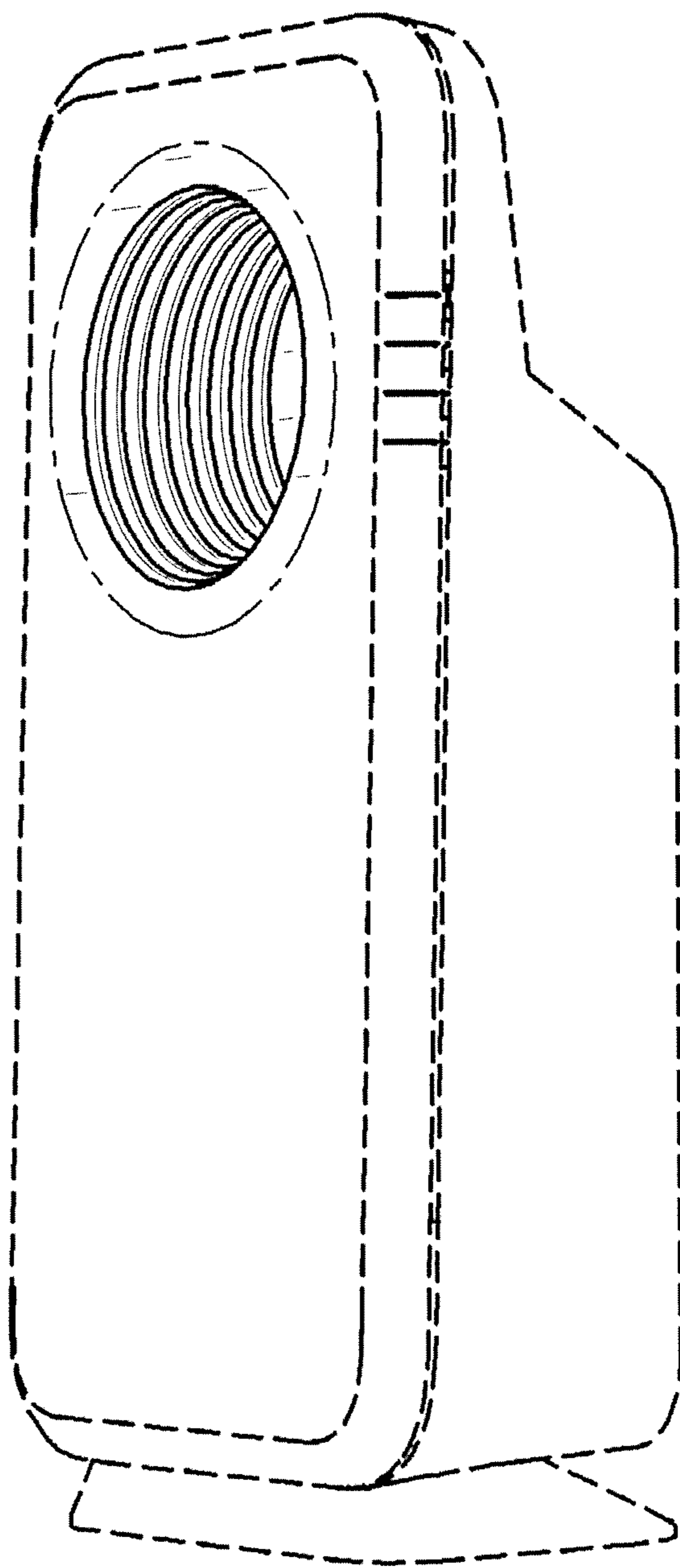


FIG. 28

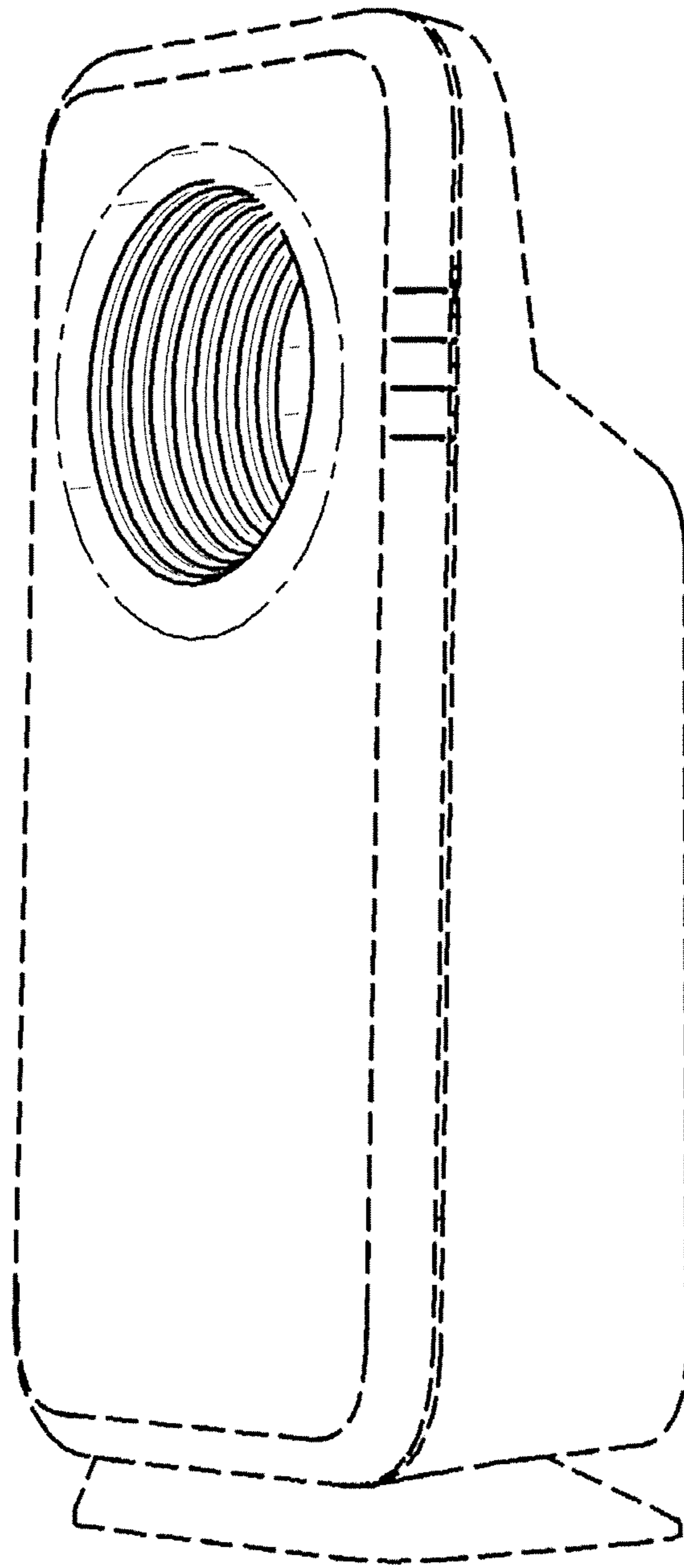


FIG. 29

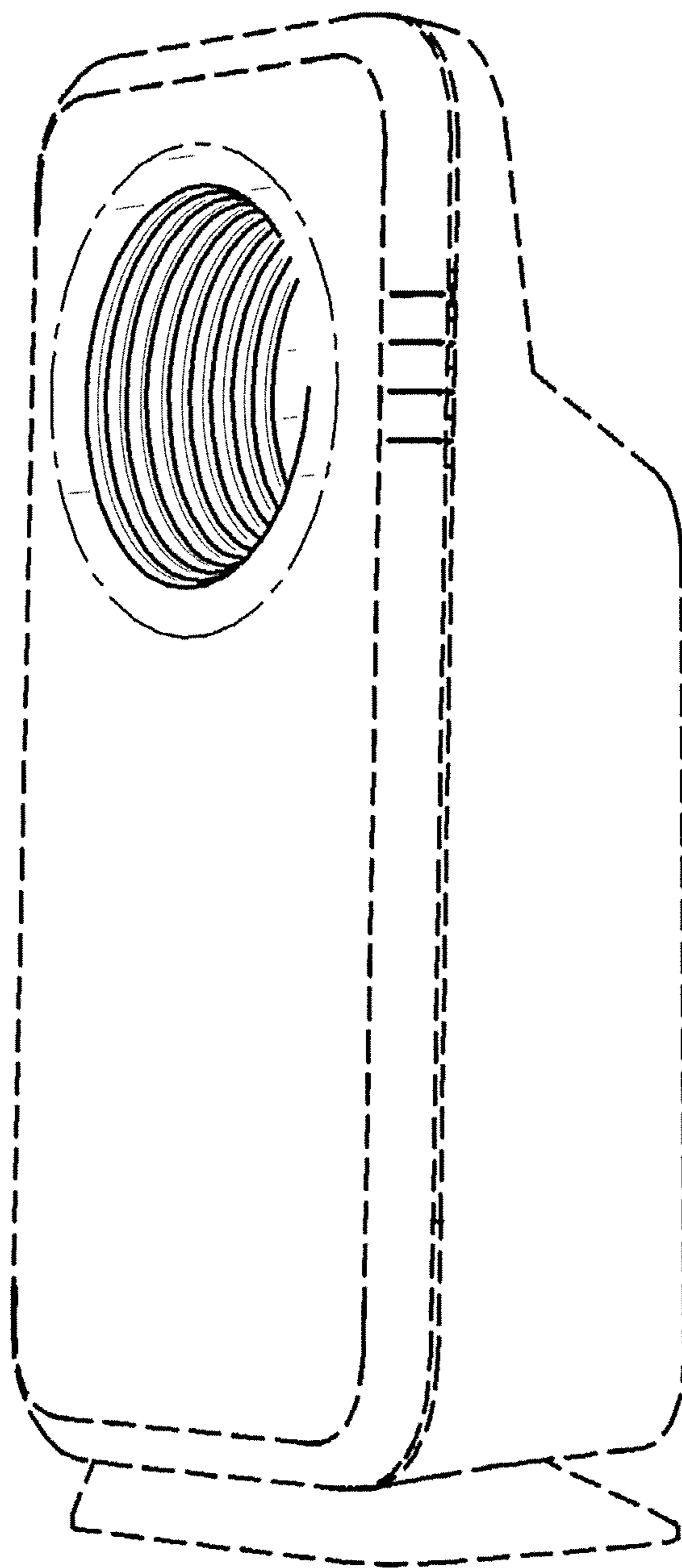


FIG. 30

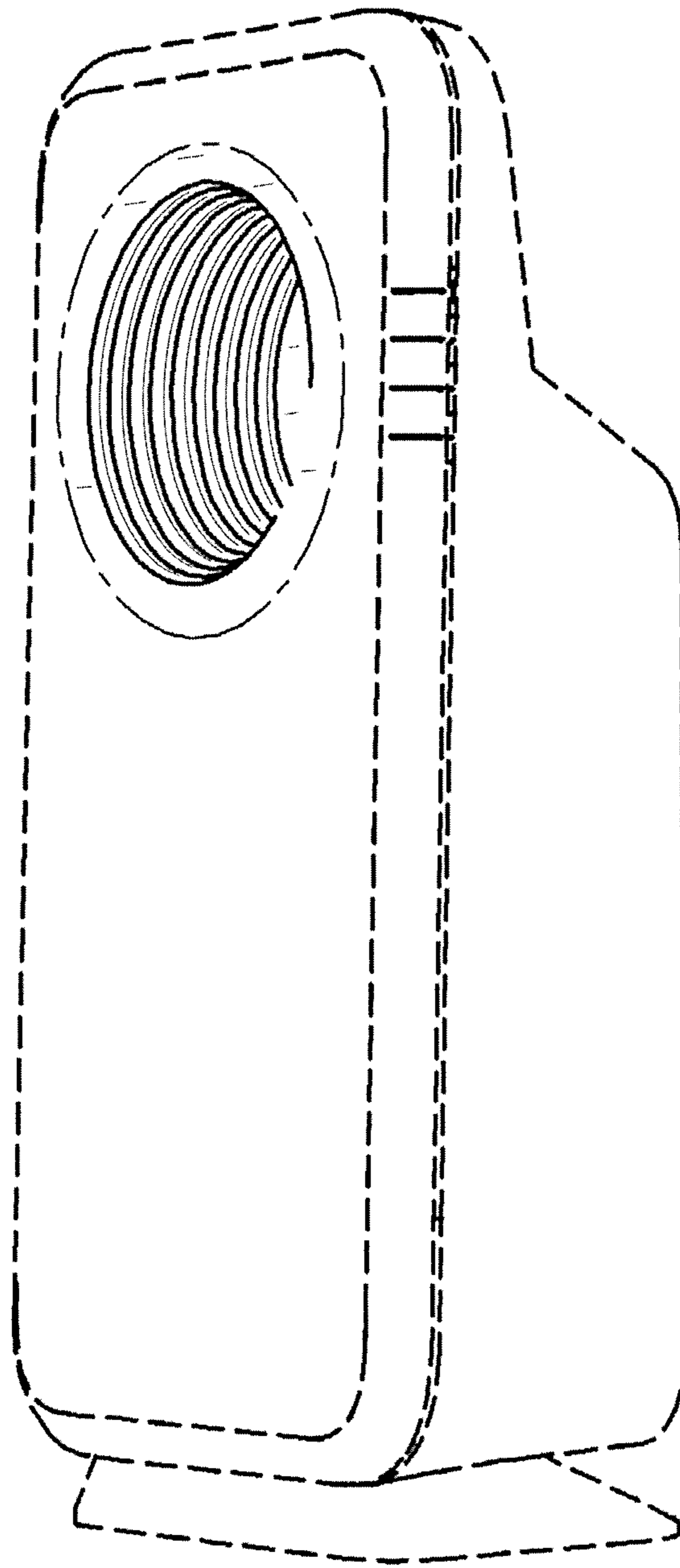


FIG. 31

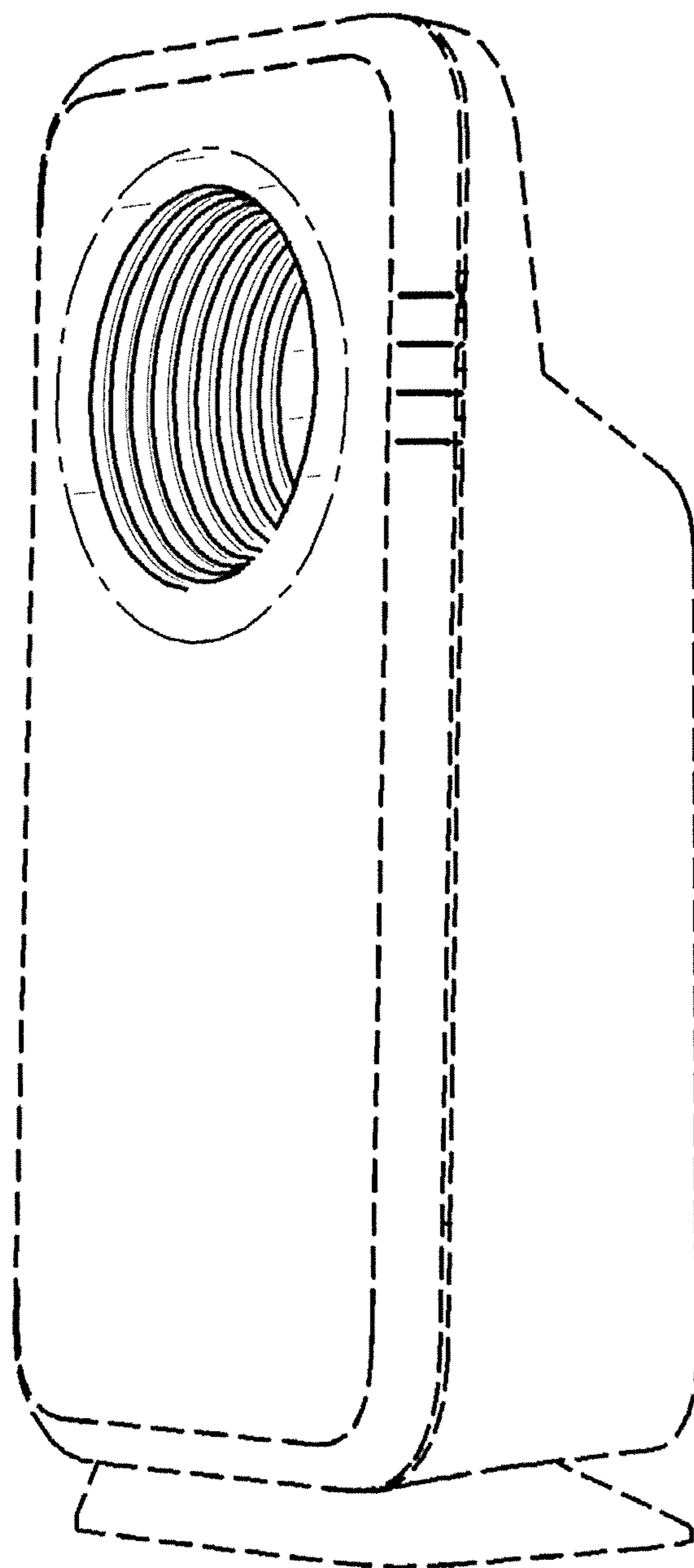


FIG. 32

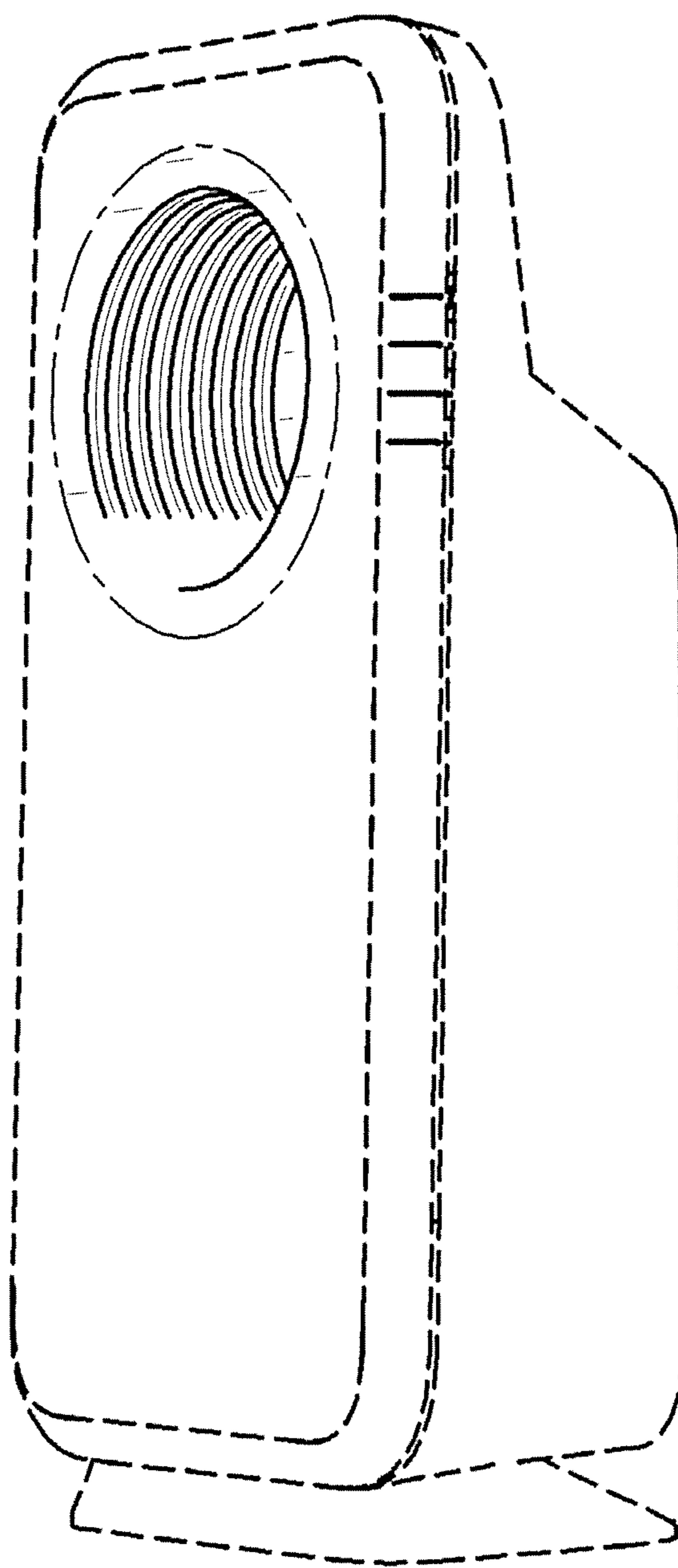


FIG. 33

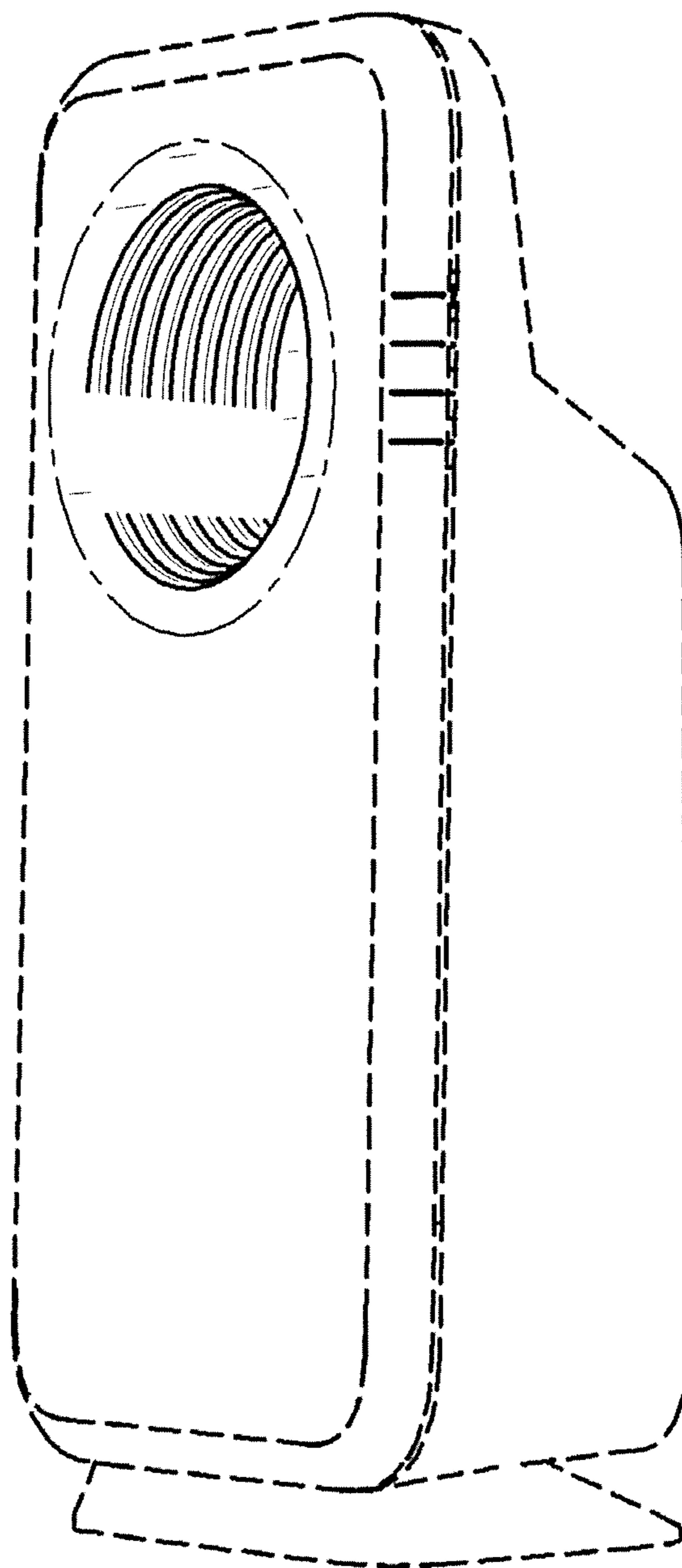


FIG. 34

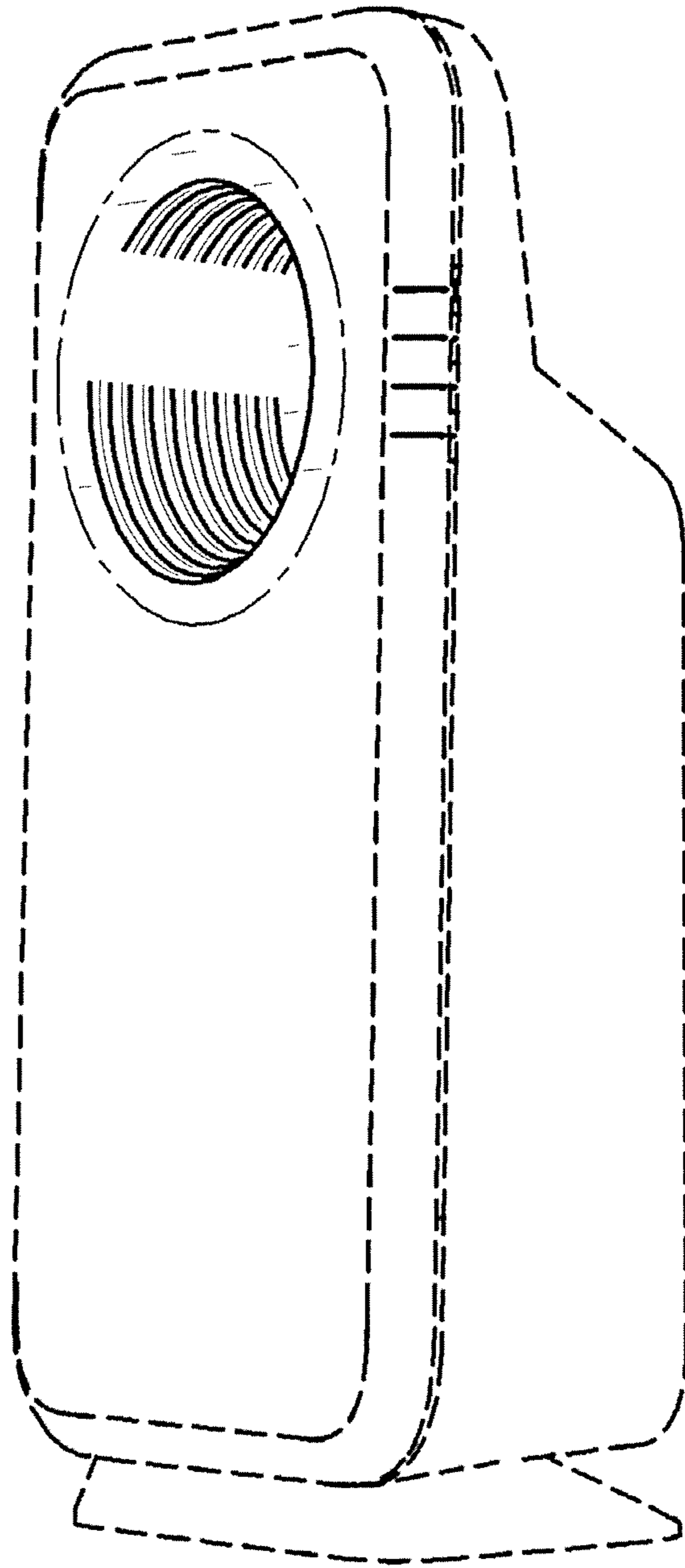


FIG. 35

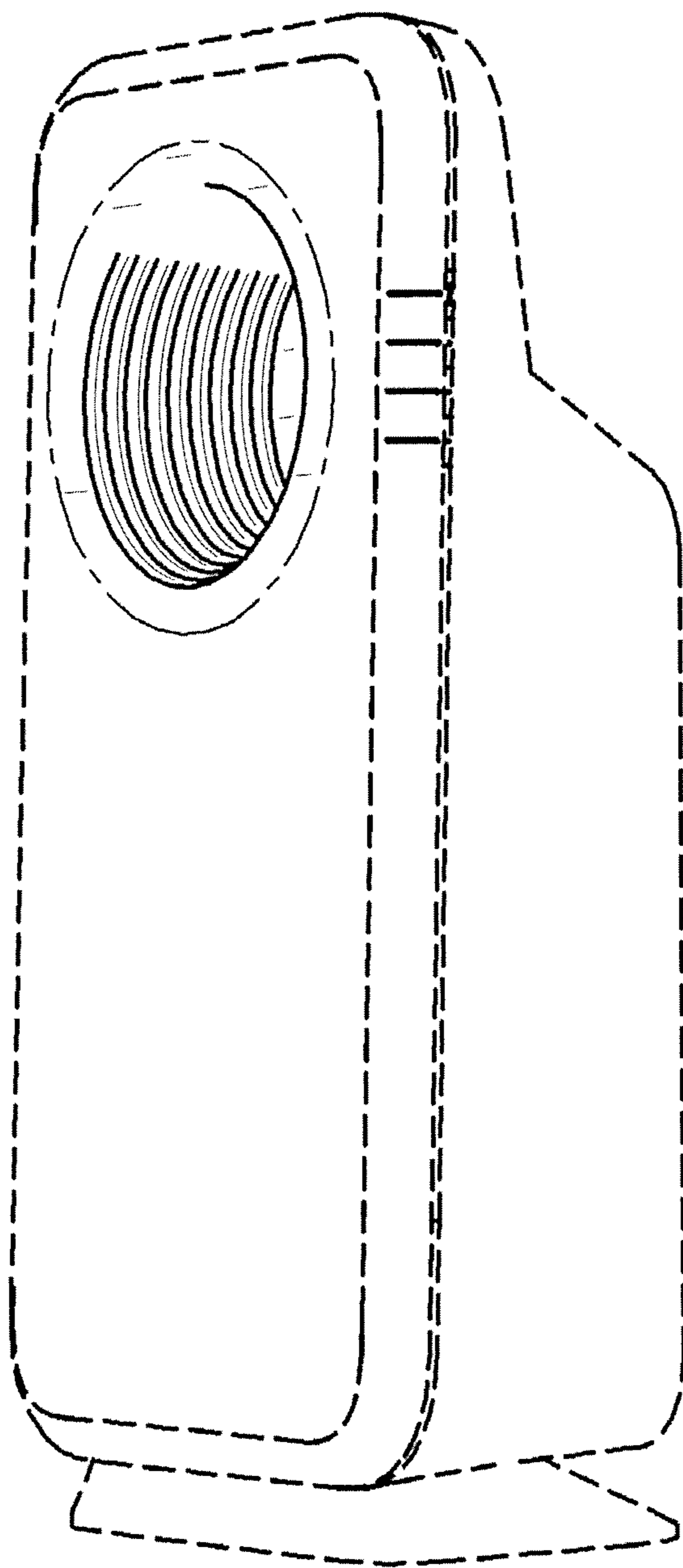


FIG. 36

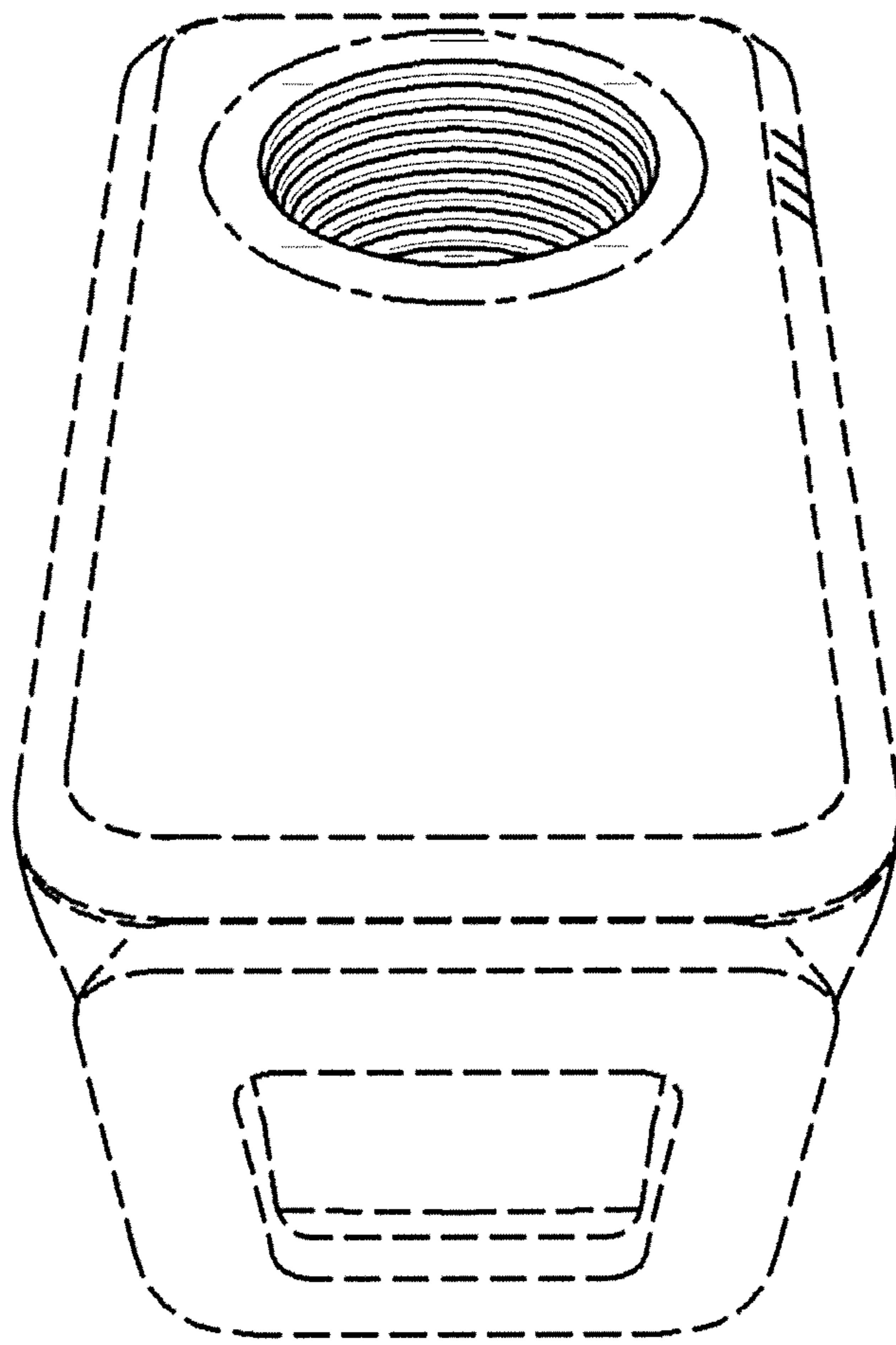


FIG. 37

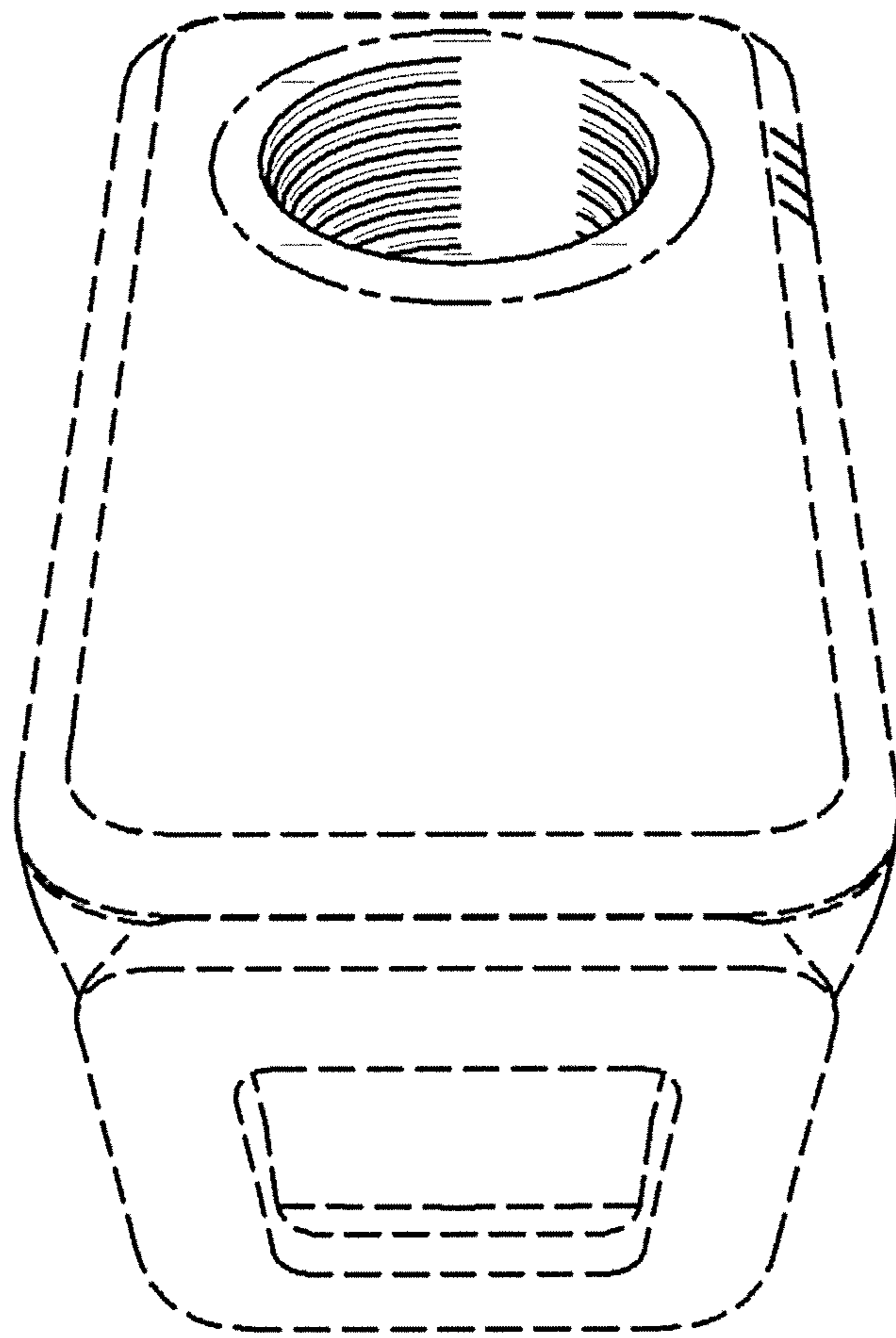


FIG. 38

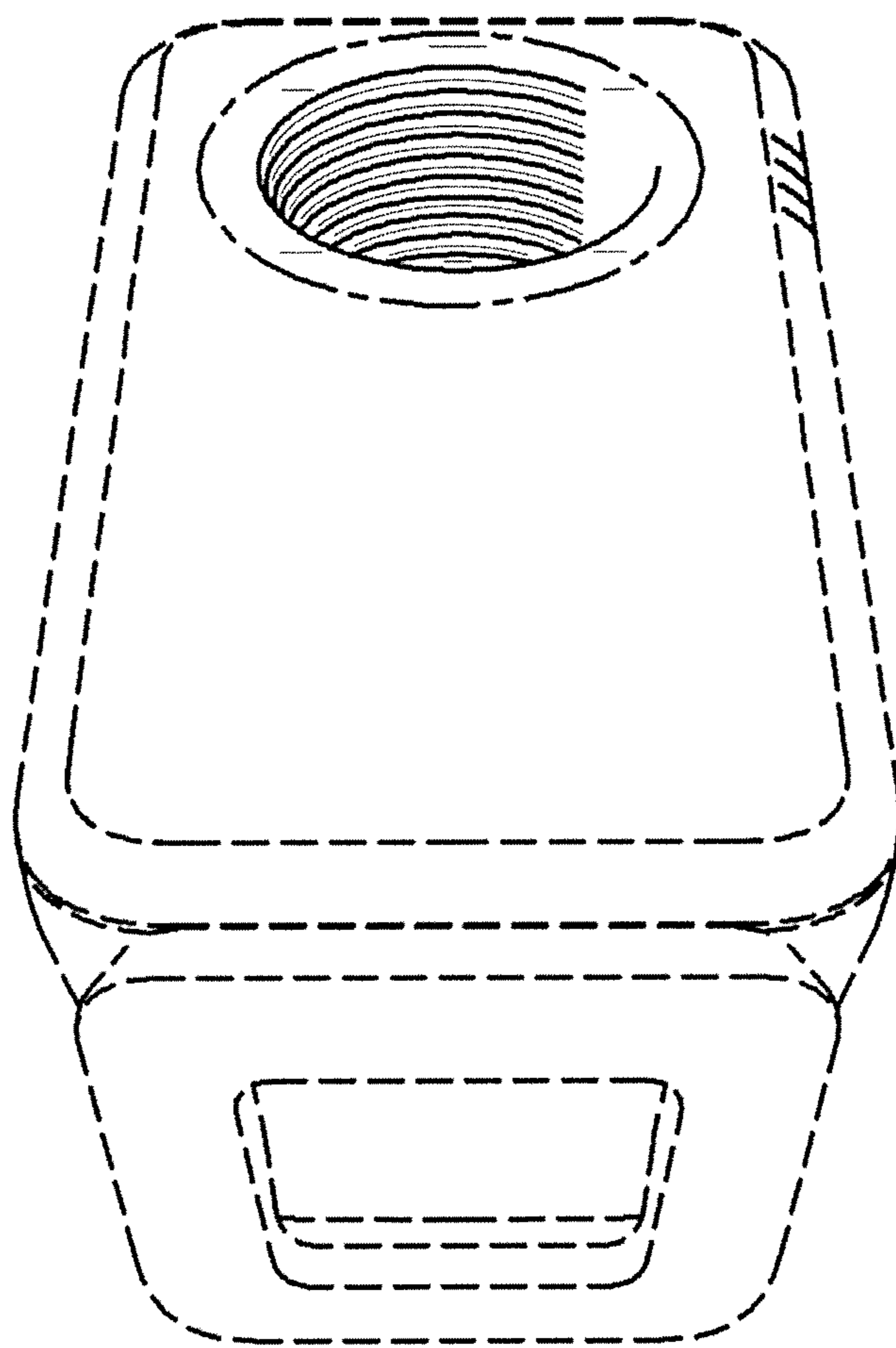


FIG. 39

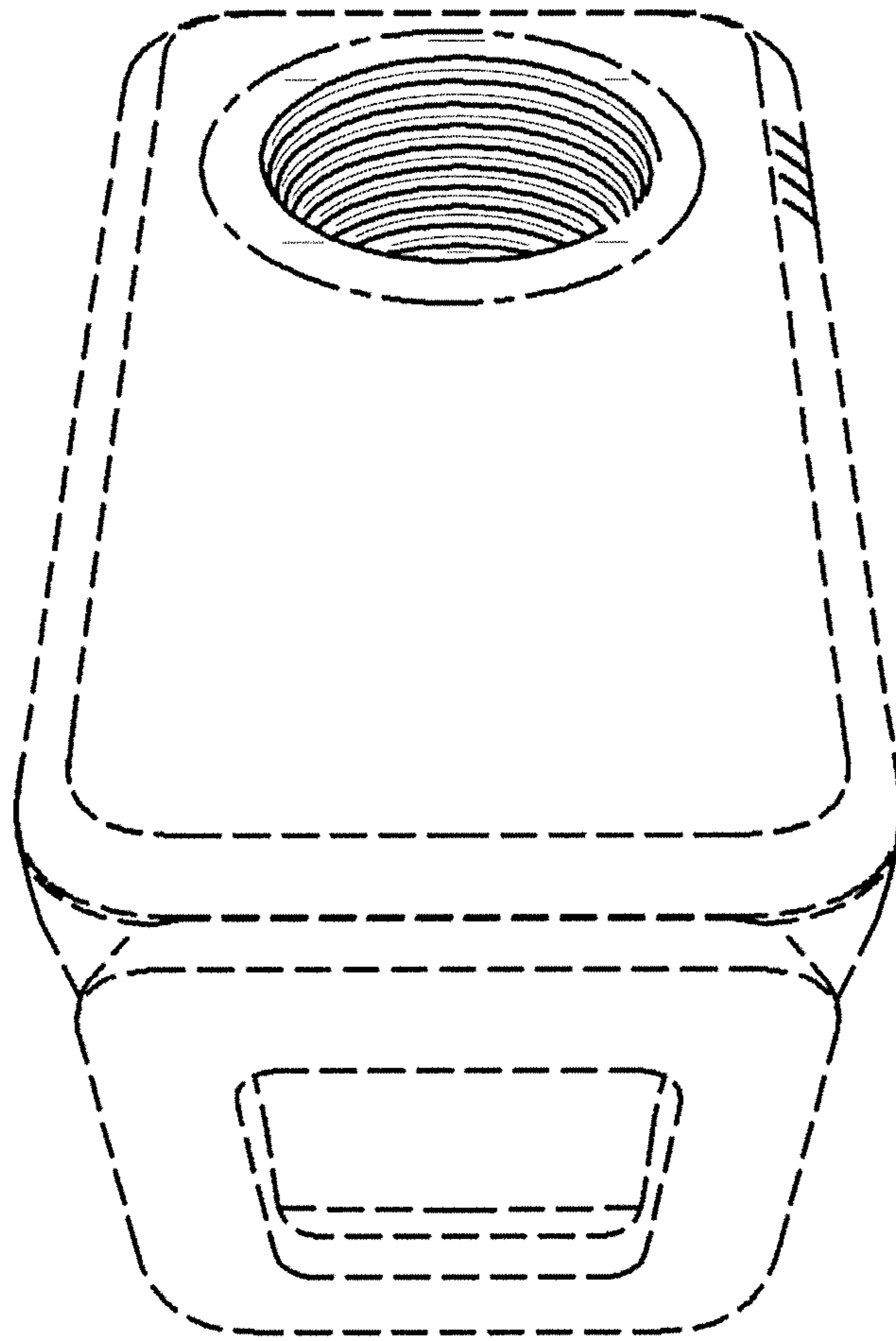


FIG. 40

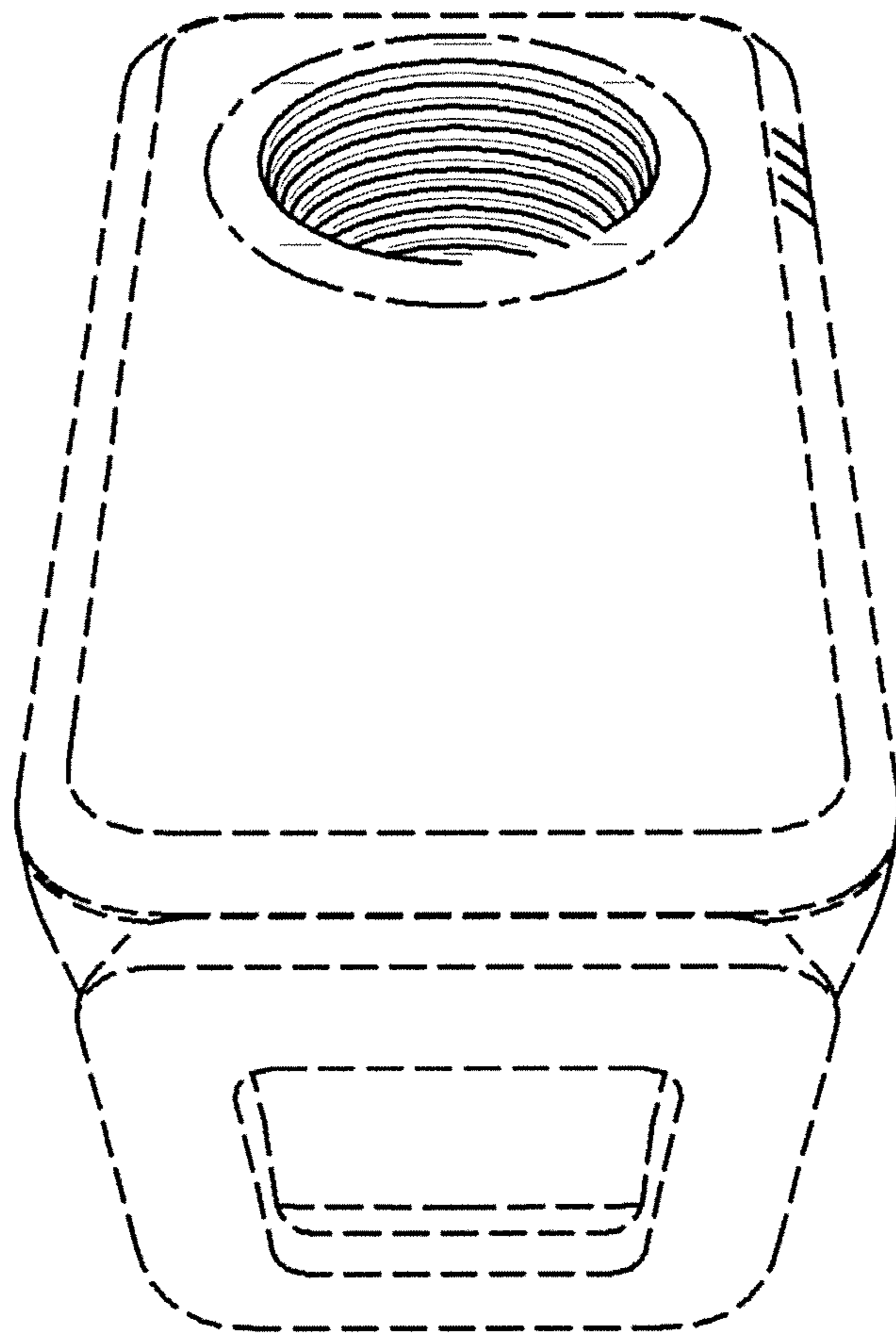


FIG. 41

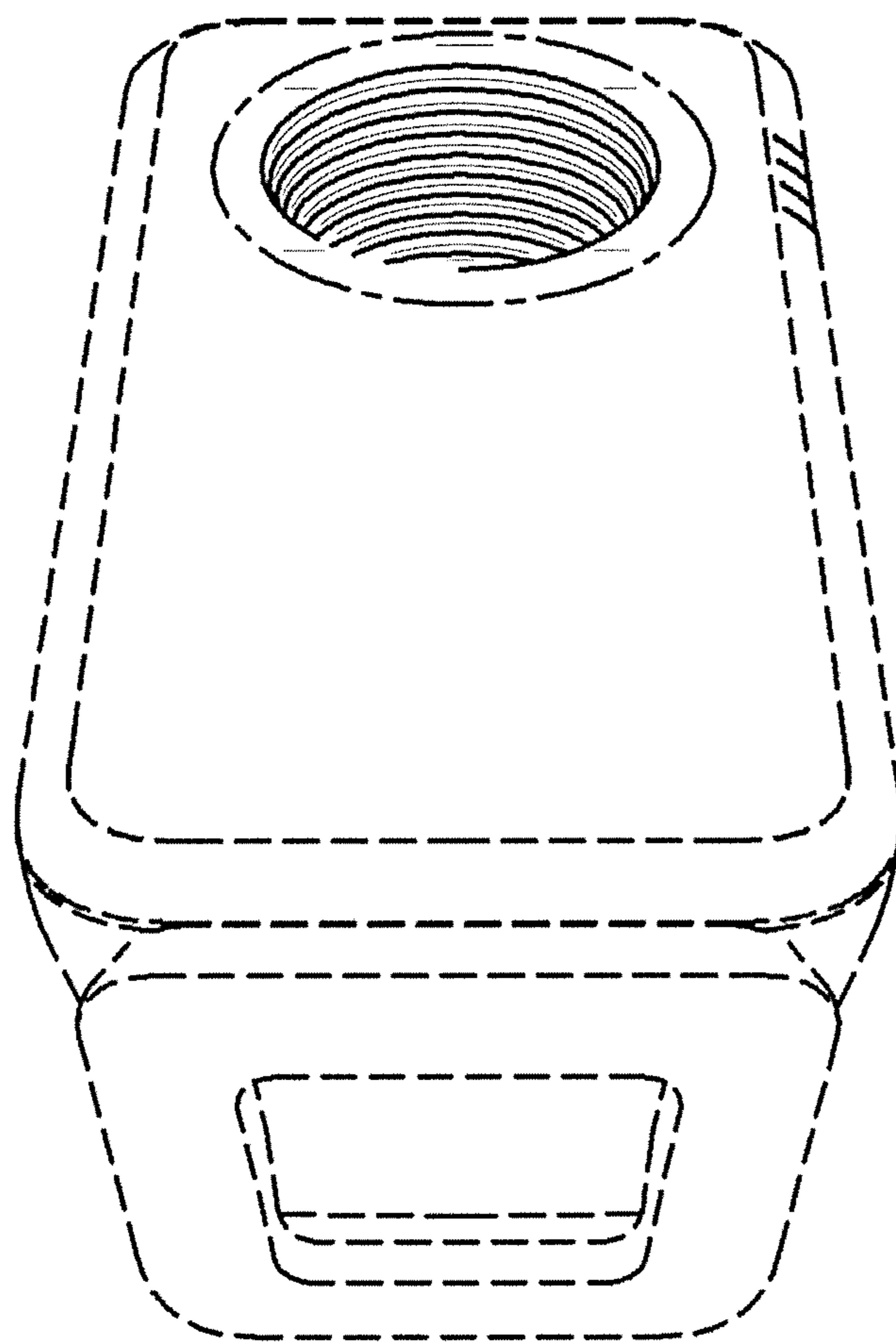


FIG.42

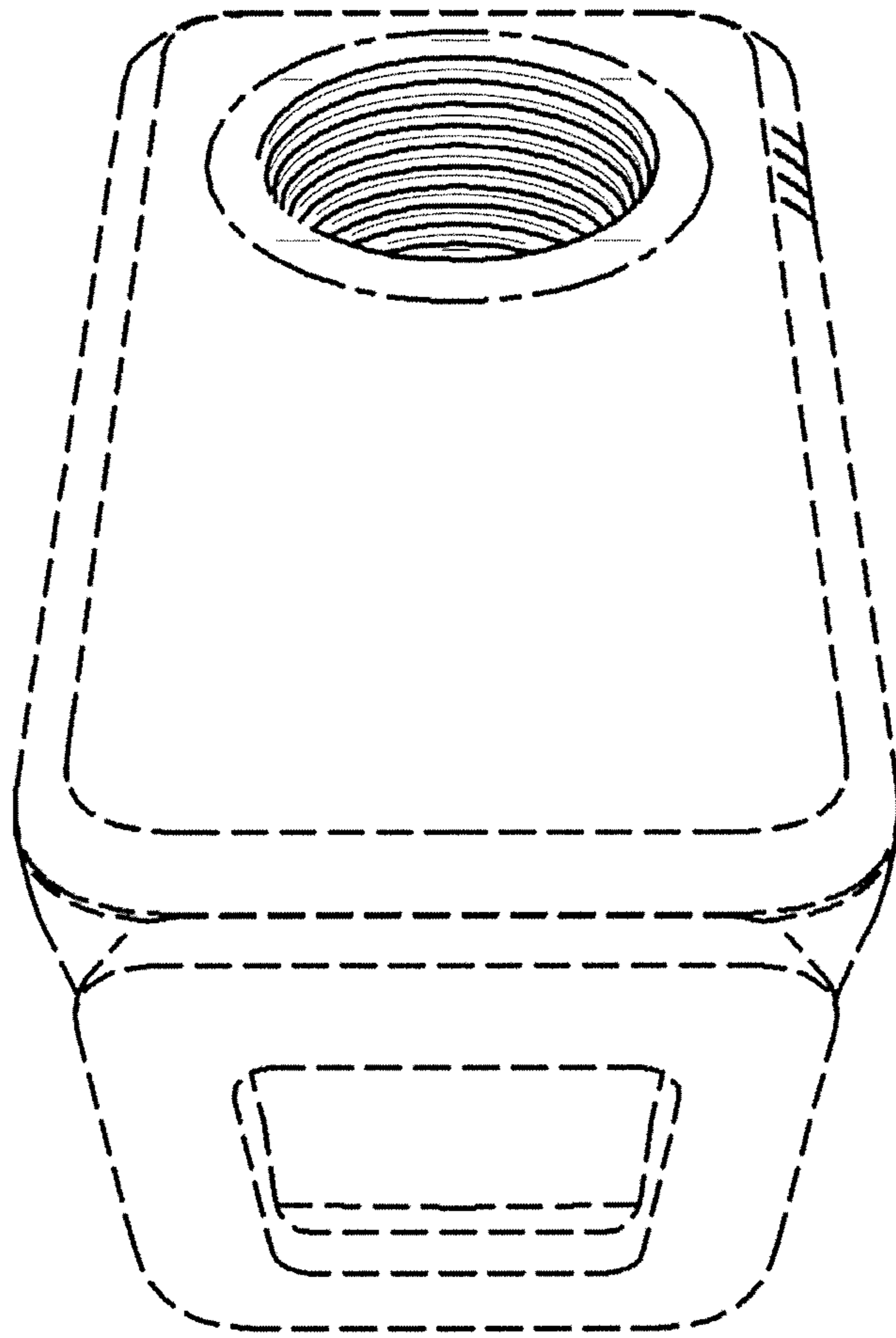


FIG. 43

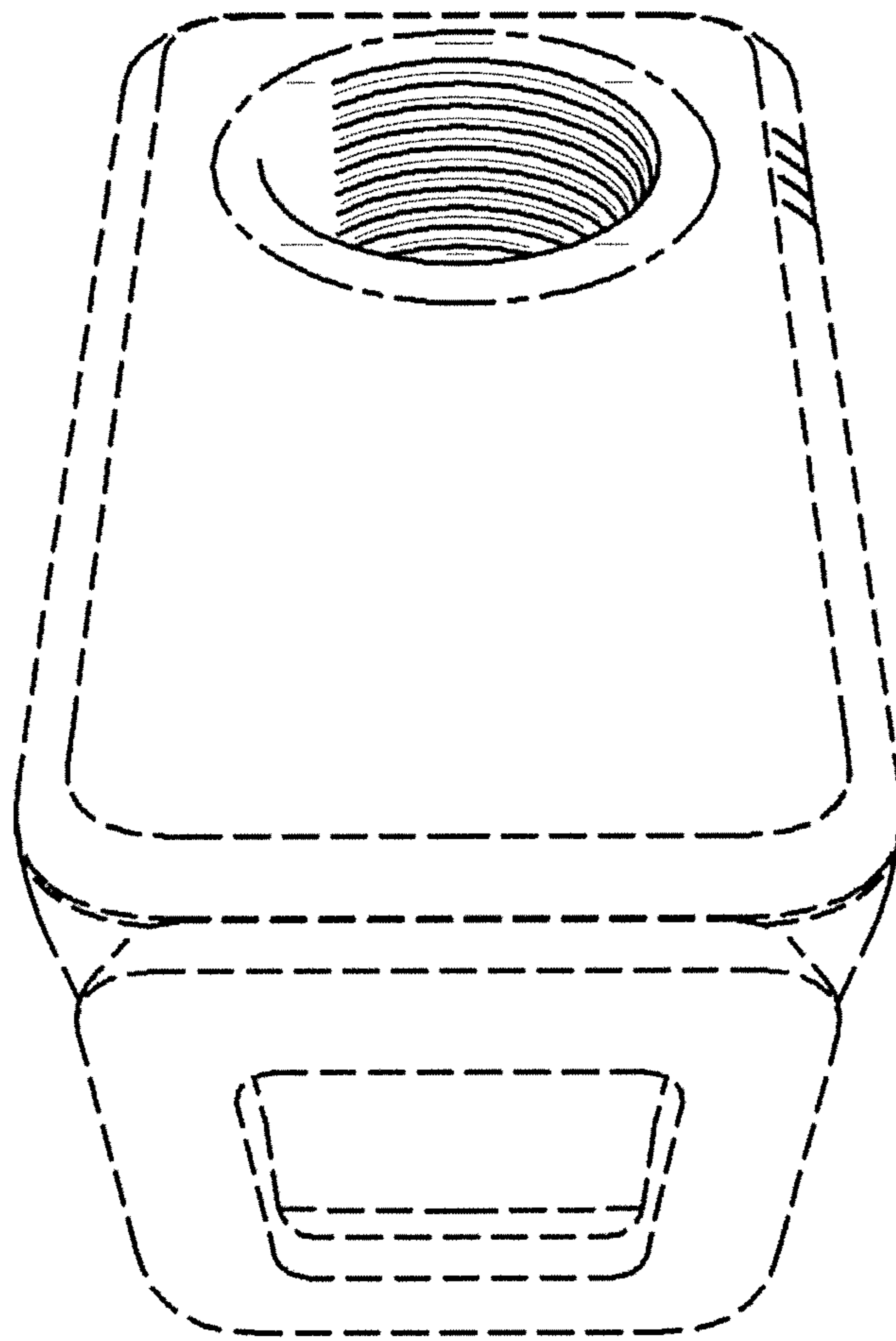


FIG. 44

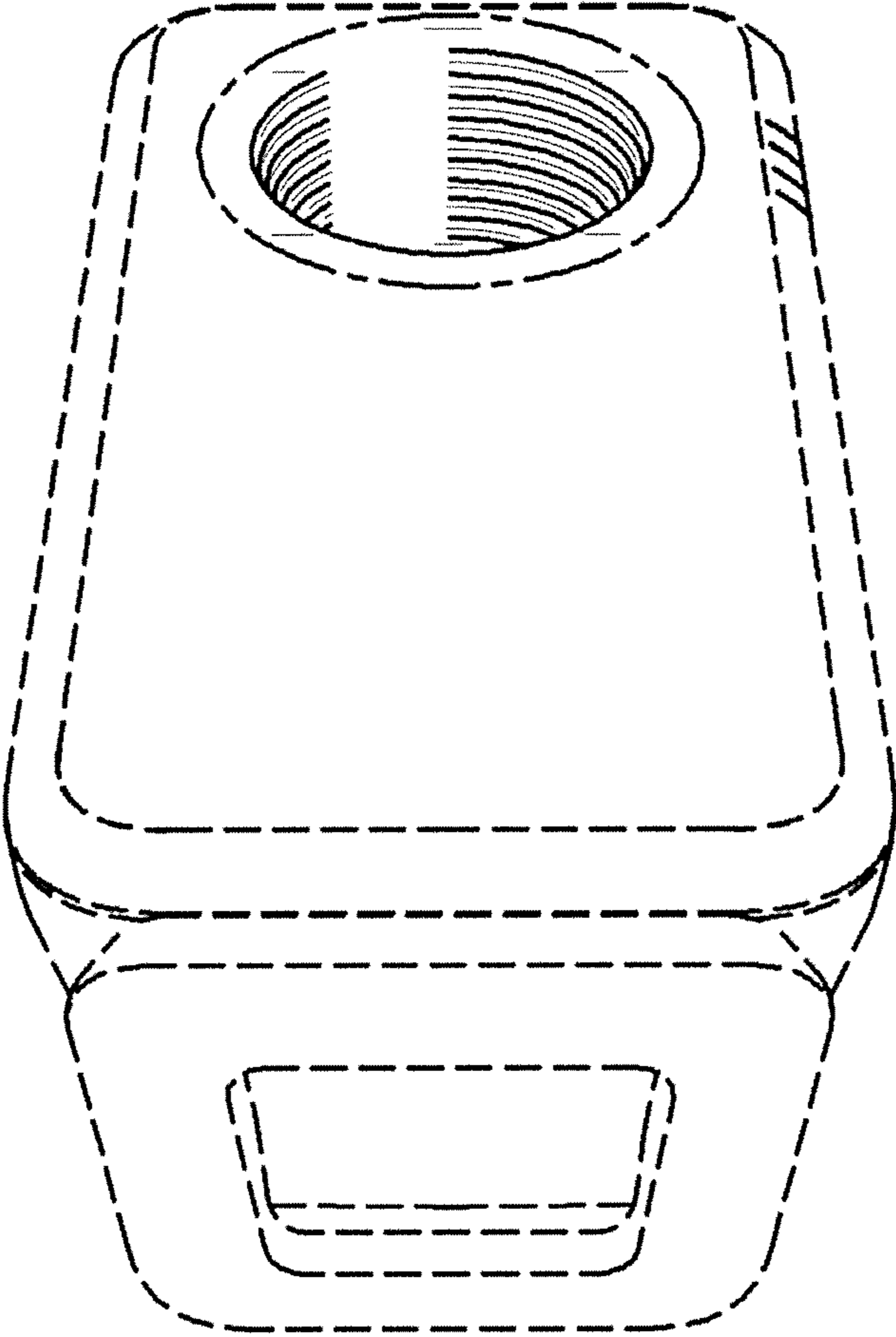


FIG.45