



US00D748232S

(12) **United States Design Patent**
Müller

(10) **Patent No.:** **US D748,232 S**
(45) **Date of Patent:** **** Jan. 26, 2016**

(54) **ROTARY EVAPORATOR**

(71) Applicant: **Büchi Labortechnik AG**, Flawil (CH)

(72) Inventor: **Ruedi August Müller**, Küsnacht (CH)

(73) Assignee: **Büchi Labortechnik AG**, Flawil (CH)

(**) Term: **14 Years**

(21) Appl. No.: **29/476,604**

(22) Filed: **Dec. 16, 2013**

(30) **Foreign Application Priority Data**

Jun. 17, 2013 (WO) 744487701

(51) **LOC (10) Cl.** **23-04**

(52) **U.S. Cl.**
USPC **D23/355**

(58) **Field of Classification Search**

USPC D23/314, 325, 329, 333, 334, 335, 342,
D23/355, 356, 358, 359, 364, 386, 387, 388,
D23/389, 390, 391; D24/232, 219
CPC A61L 9/00; A61L 9/20; A61L 9/205;
A61L 9/01; A61L 9/015; A61L 9/14; A61L
9/16; F24F 1/00; F24F 3/16; F24F 3/166;
F24F 3/1603; F24F 3/14; F24F 3/12; F24F
7/00; B03C 1/00; B03C 3/32; B03C 3/15;
B03C 3/155; B03C 3/16; B01D 23/00; B01D
3/085; B01D 1/228; B01L 9/04

See application file for complete search history.

(56) **References Cited**

U.S. PATENT DOCUMENTS

D262,822 S * 1/1982 Schindler D24/232
4,522,684 A * 6/1985 Saito 159/11.2
D289,326 S * 4/1987 Nishikawa D23/356
D323,874 S * 2/1992 Hirman et al. D23/209

D349,566 S * 8/1994 O'Grady D23/364
D377,973 S * 2/1997 Jane et al. D23/358
D380,820 S * 7/1997 Levine et al. D23/356
D387,176 S 12/1997 Spring

(Continued)

OTHER PUBLICATIONS

Büchi, Rotavapor System brochure (Apr. 2011) pp. 1-2.

Primary Examiner — Eric Goodman

Assistant Examiner — Bao-Yen Nguyen

(74) *Attorney, Agent, or Firm* — Davis & Bujold, P.L.L.C.;
Michael J. Bujold

(57) **CLAIM**

The ornamental design for a rotary evaporator, as shown and described.

DESCRIPTION

FIG. 1 is a perspective view of a rotary evaporator, showing my new design from the front, top, and right side;

FIG. 2 is a front elevational view thereof;

FIG. 3 is a left side view thereof;

FIG. 4 is a rear elevational view thereof;

FIG. 5 is a right side view thereof;

FIG. 6 is a top plan view thereof;

FIG. 7 is a bottom plan view thereof;

FIG. 8 is a perspective view of a rotary evaporator, showing a second embodiment of my new design from the front, top, and right side;

FIG. 9 is a front elevational view of FIG. 8;

FIG. 10 is a left side view of FIG. 8;

FIG. 11 is a rear elevational view of FIG. 8;

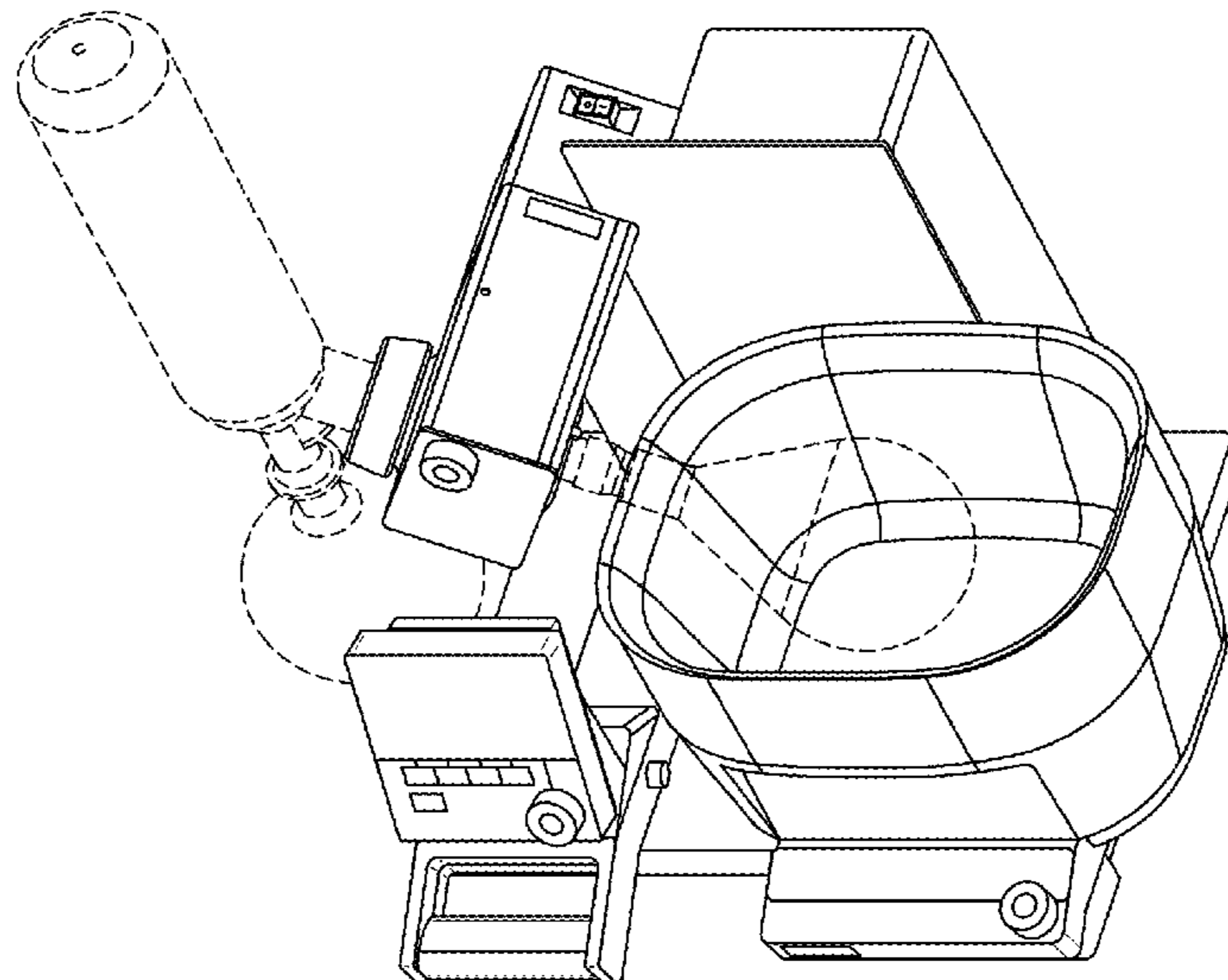
FIG. 12 is a right side view of FIG. 8;

FIG. 13 is a top plan view of FIG. 8; and,

FIG. 14 is a bottom plan view of FIG. 8.

The broken lines depict portions of the article and form no part of the claimed design.

1 Claim, 14 Drawing Sheets



(56)

References Cited

U.S. PATENT DOCUMENTS

D402,021	S	*	12/1998	Allen et al.	D23/356	D554,551	S	*	11/2007	Ouchi et al.	D10/81
5,919,339	A	*	7/1999	Ikeda	202/238	D641,855	S	*	7/2011	Poves et al.	D23/366
D416,316	S	*	11/1999	Cox et al.	D23/356	D642,252	S	*	7/2011	Paolazzi et al.	D23/366
D417,634	S	*	12/1999	Aebi et al.	D10/81	2001/0020368	A1	*	9/2001	Spring	62/515
D432,221	S	*	10/2000	Cox et al.	D23/356	2002/0148718	A1	*	10/2002	Genser	202/238
							2014/0238620	A1	*	8/2014	Hauser et al.	159/11.1
							2014/0238621	A1	*	8/2014	Hauser et al.	159/11.1

* cited by examiner

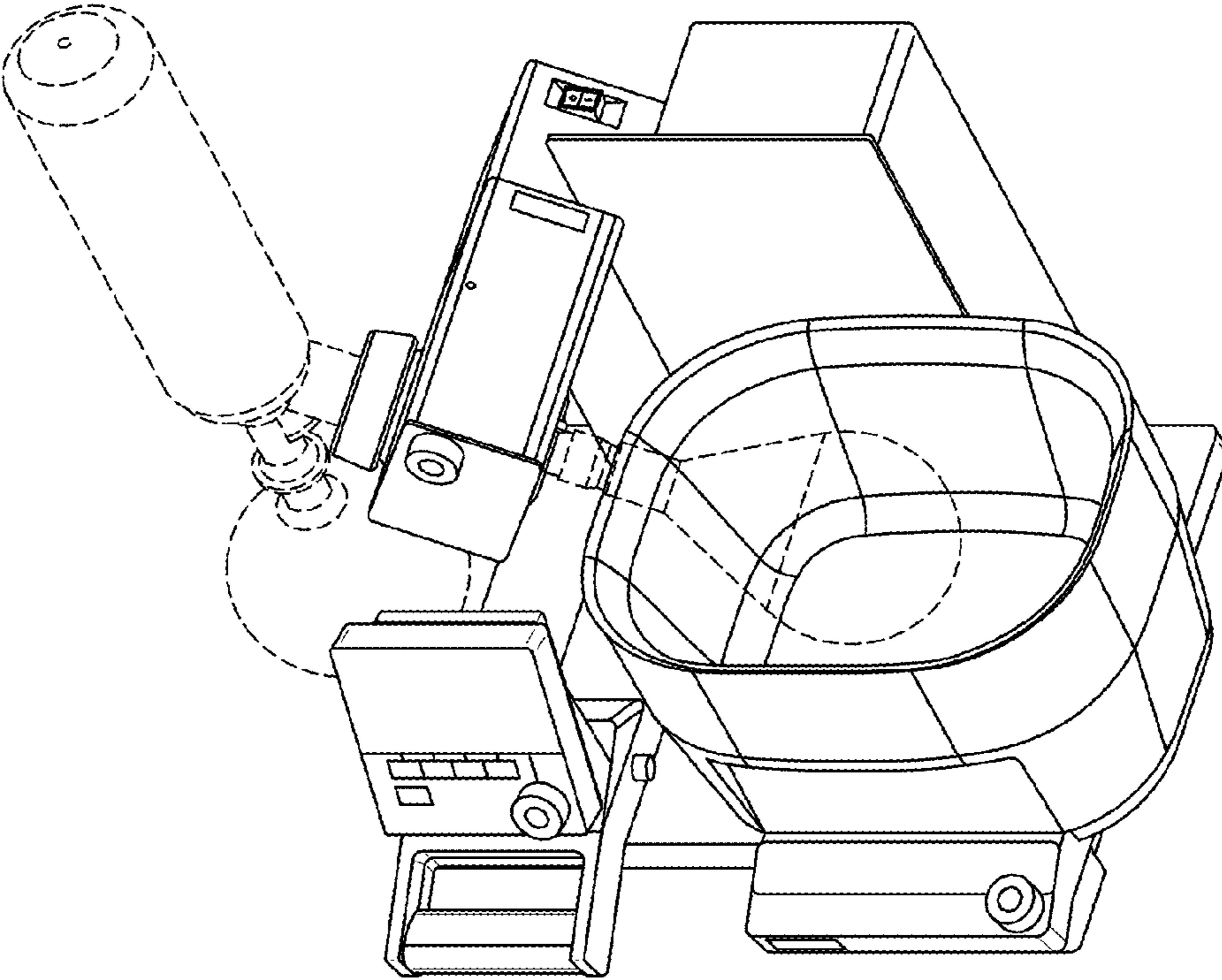


FIG. 1

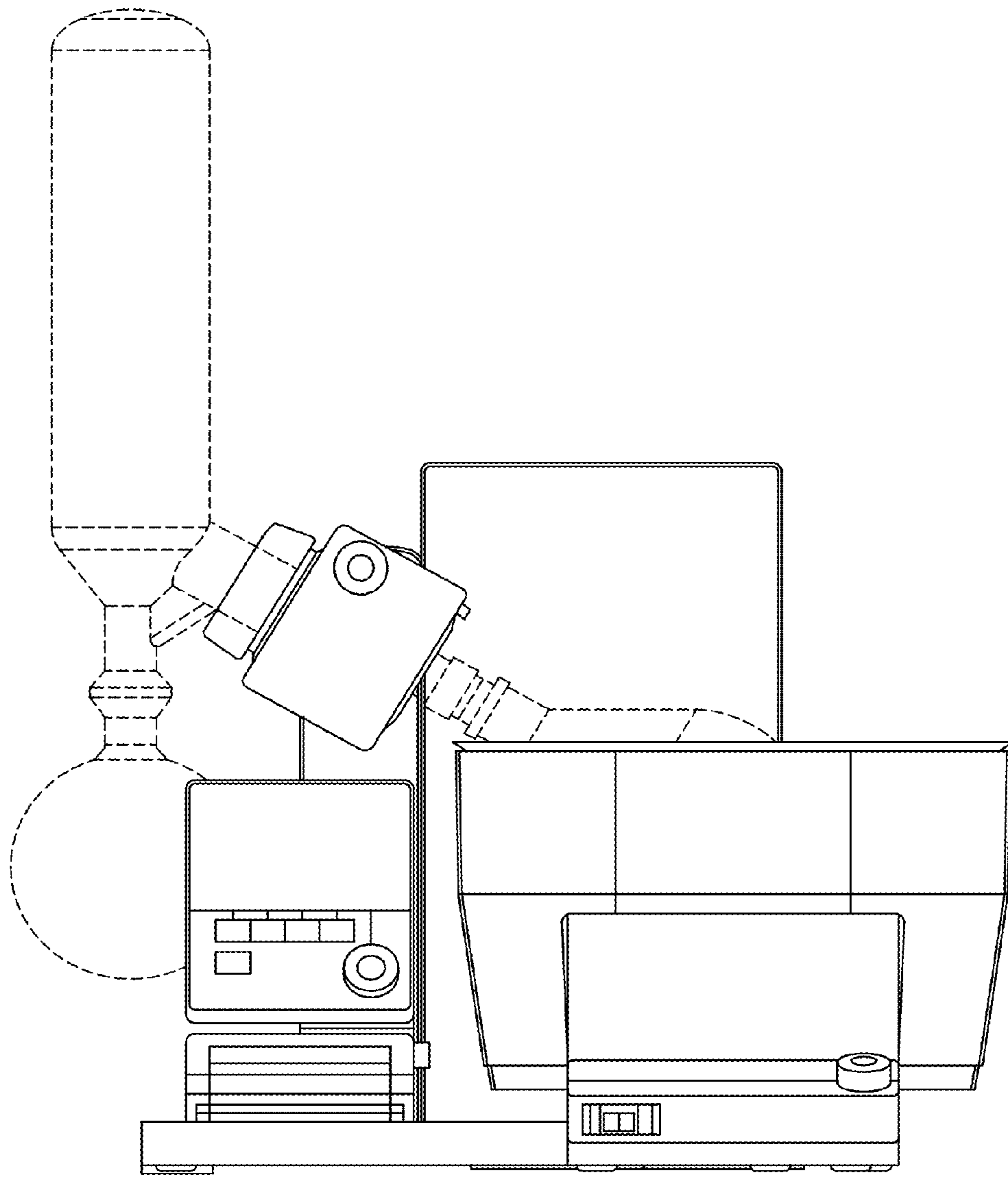


FIG.2

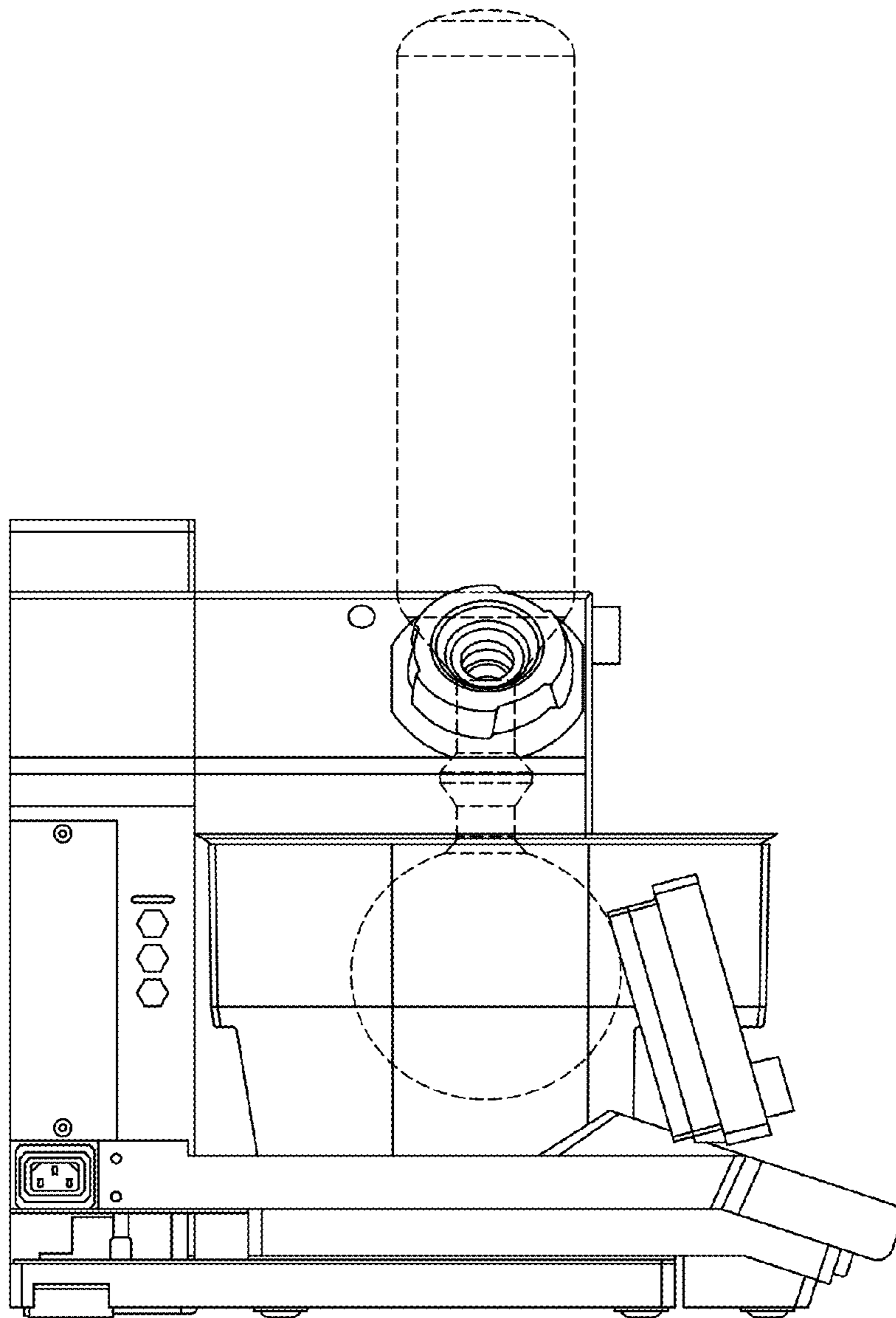


FIG.3

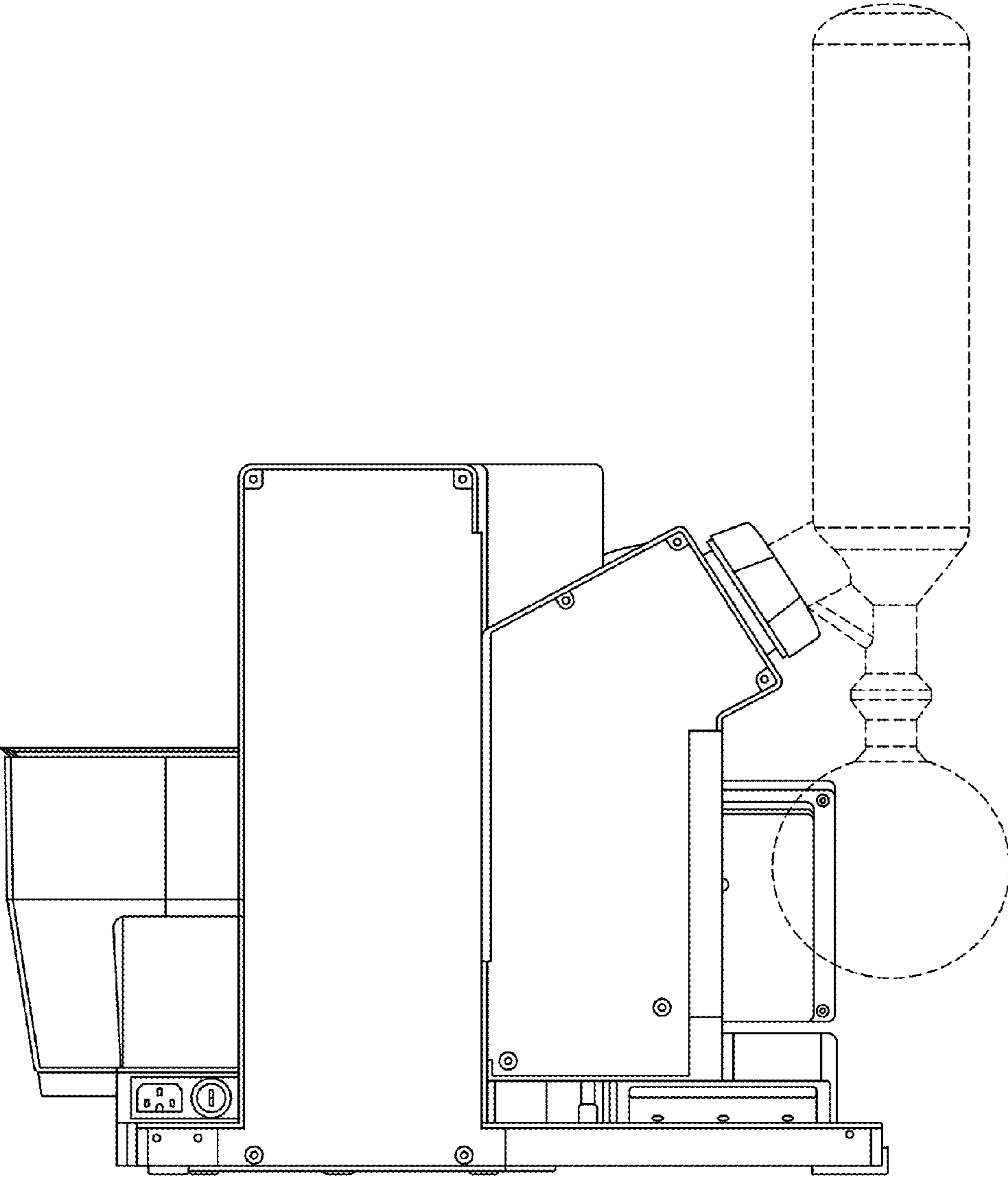


FIG. 4

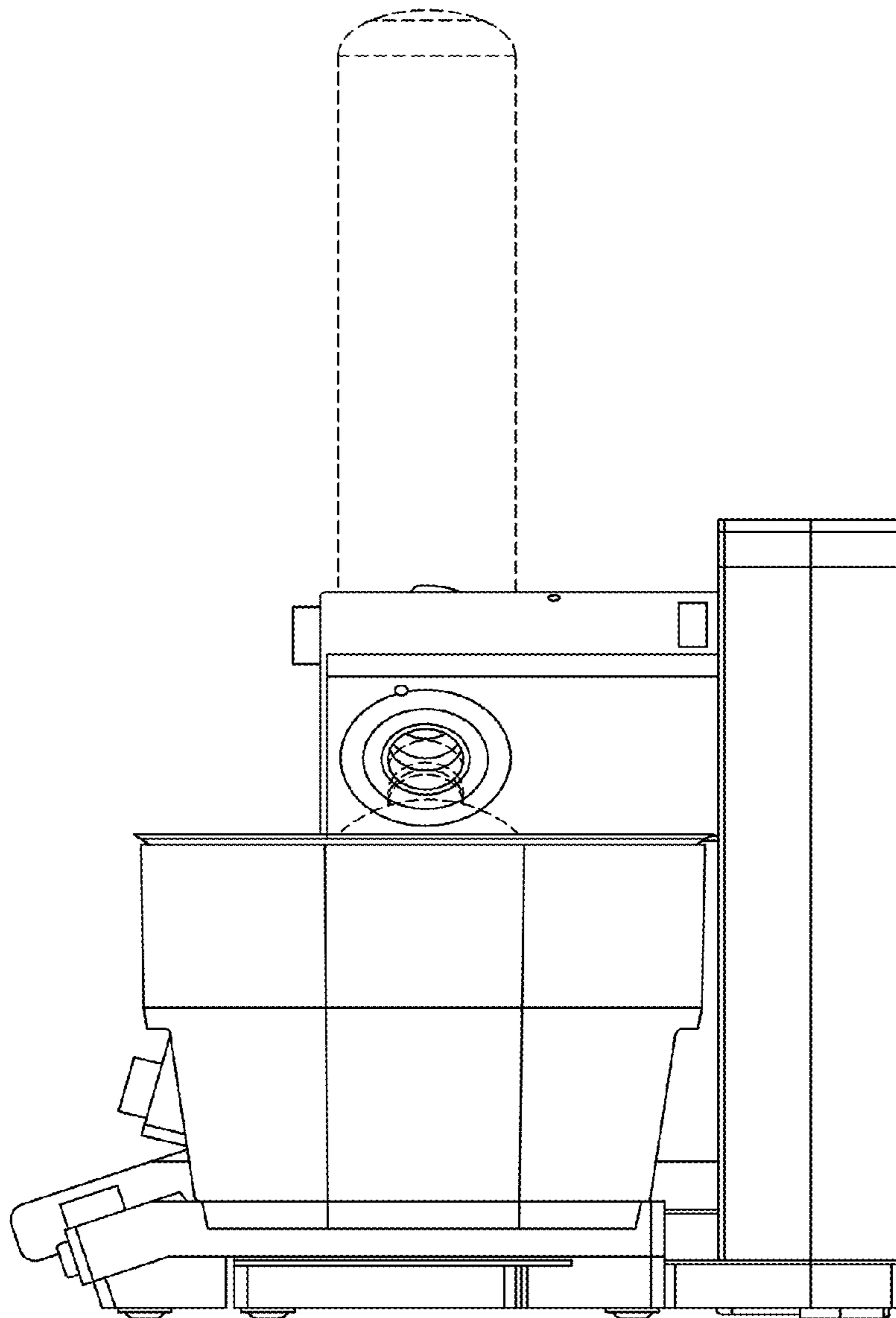


FIG.5

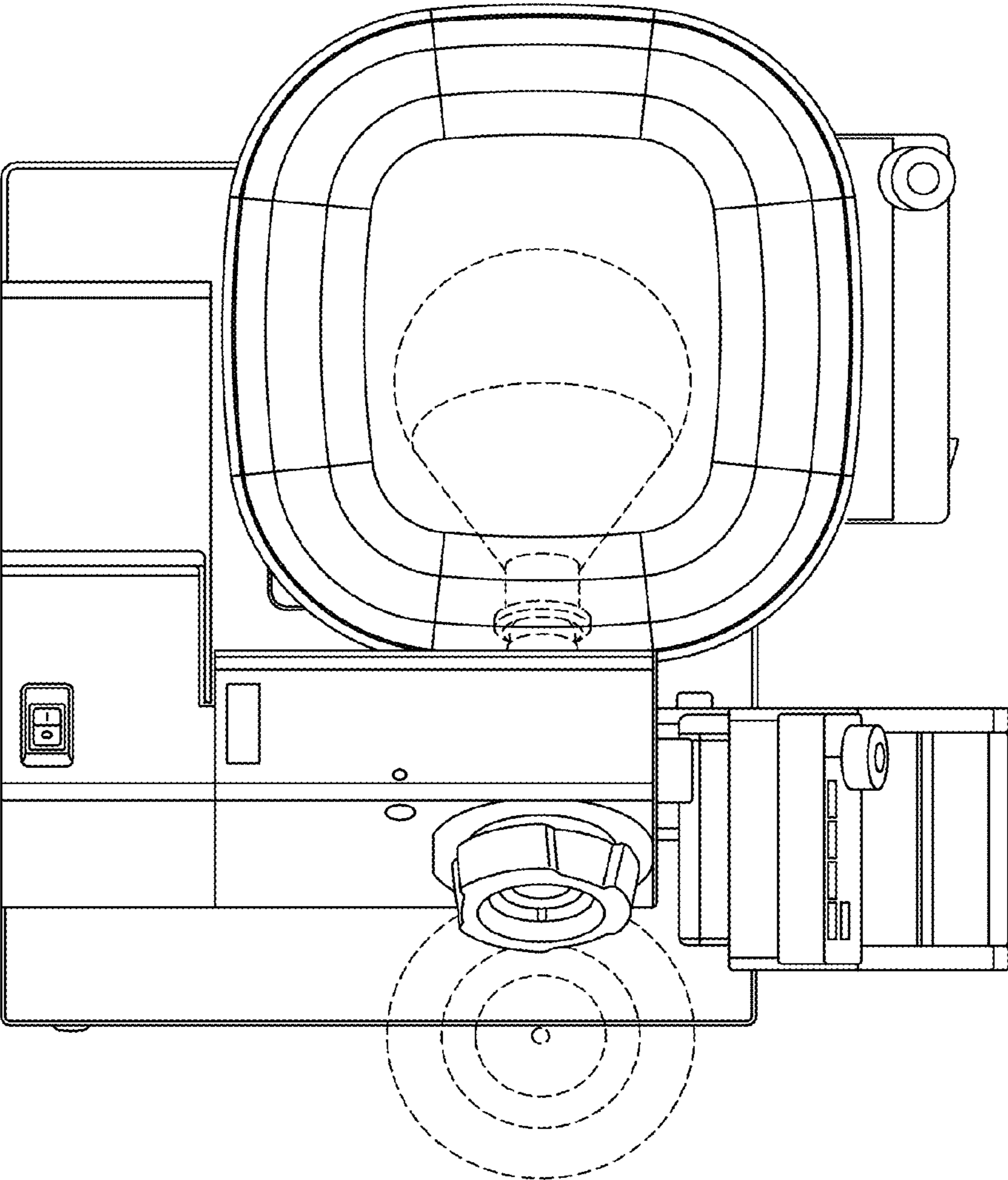


FIG.6

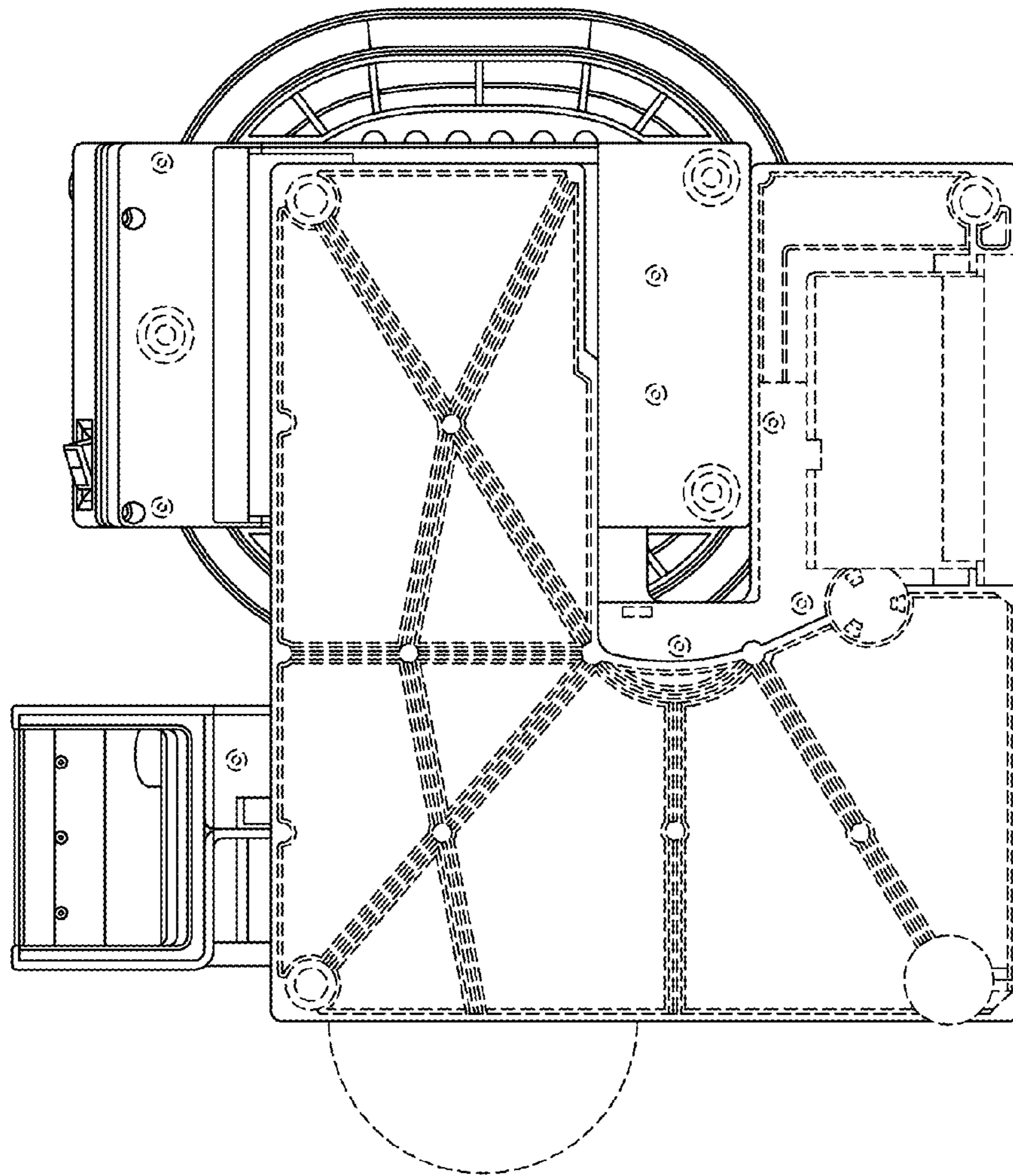


FIG. 7

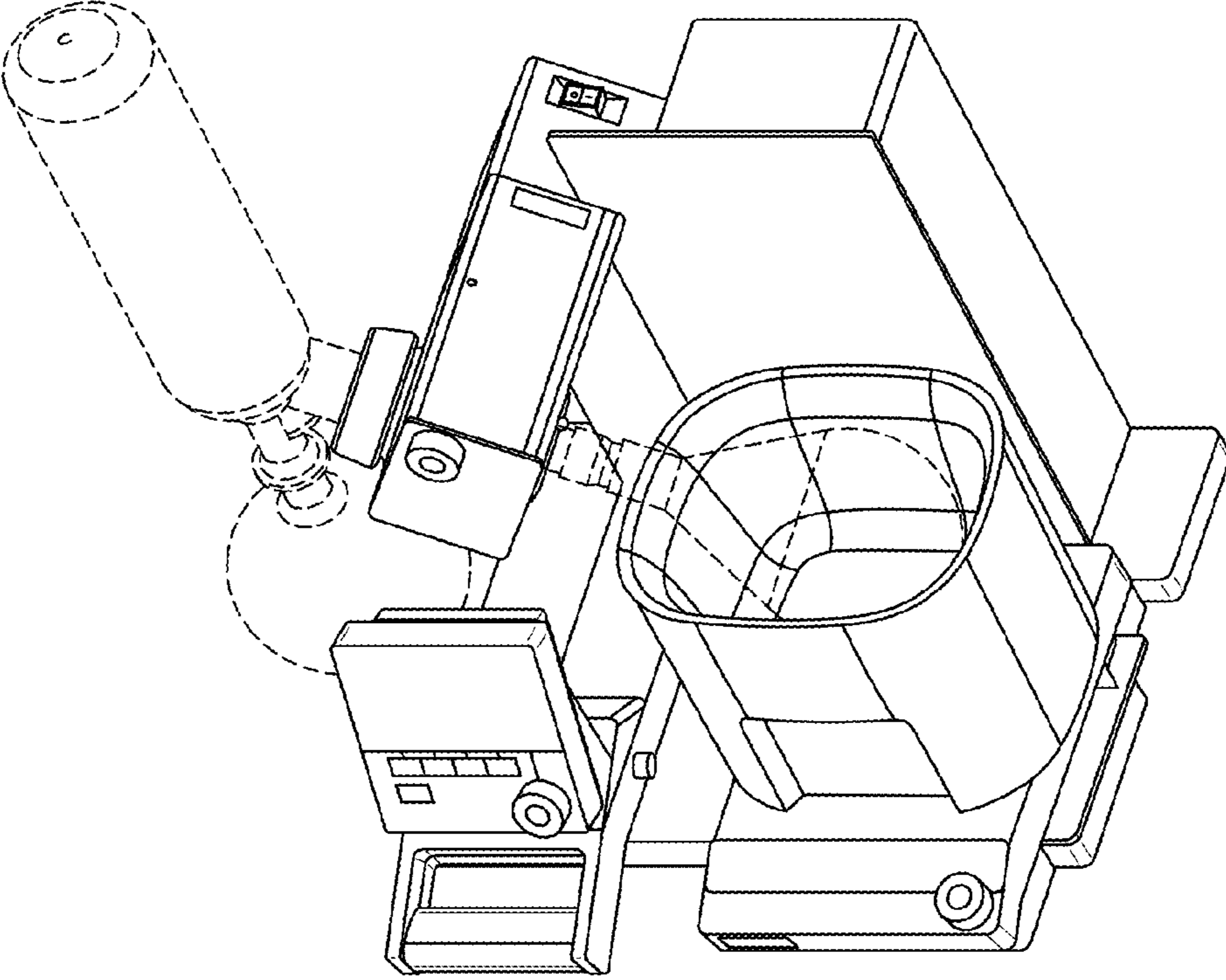


FIG.8

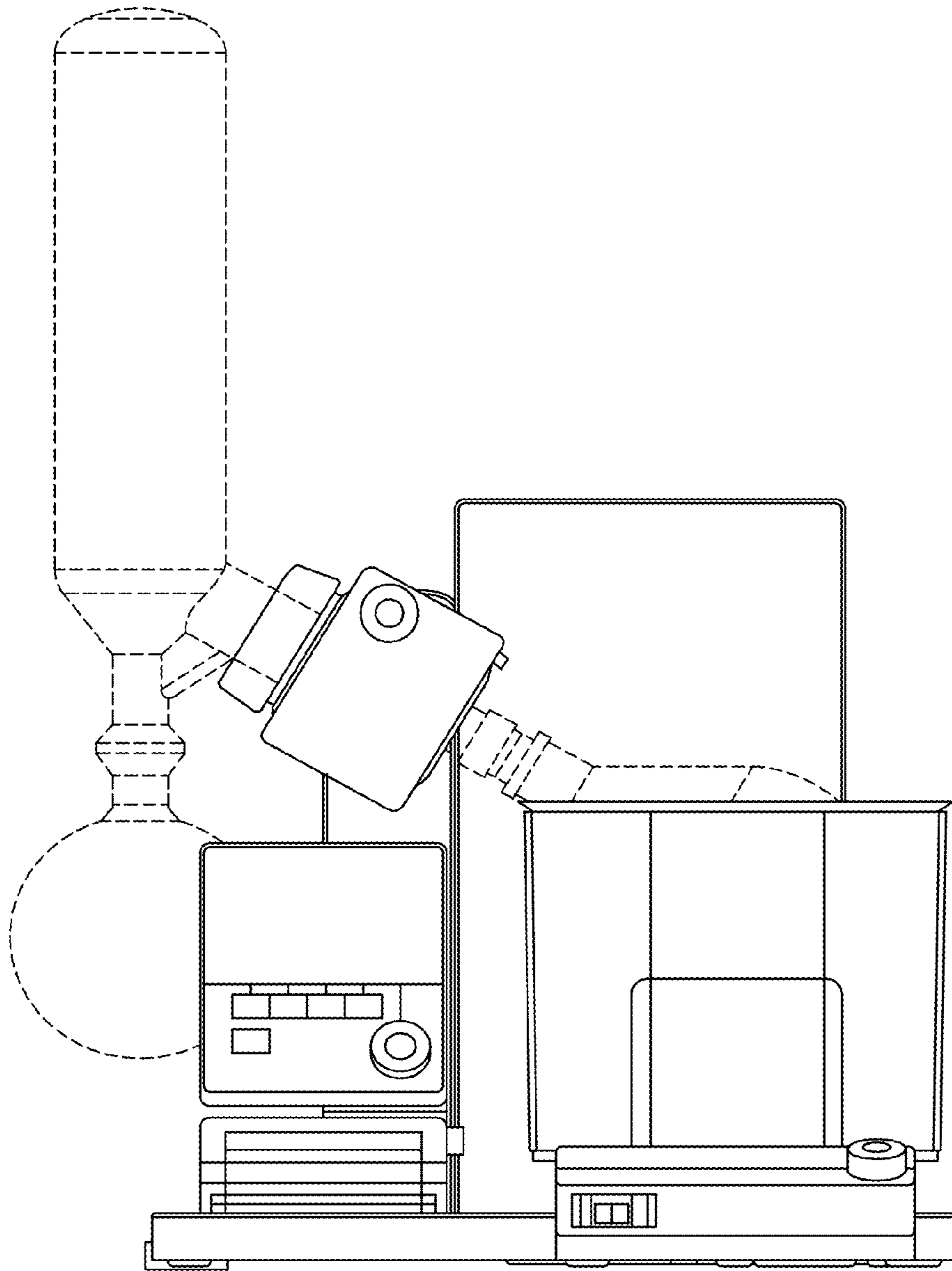


FIG.9

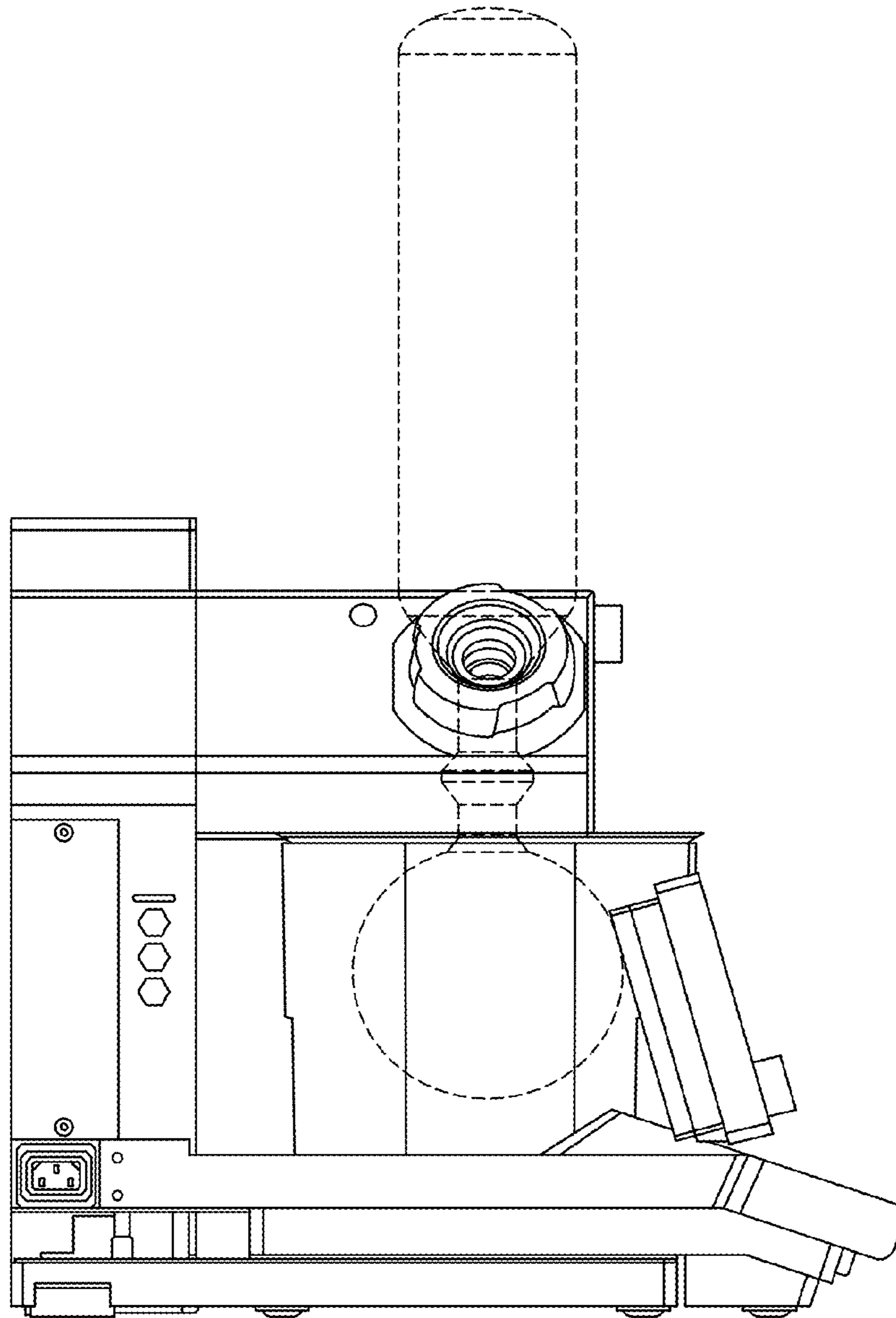


FIG.10

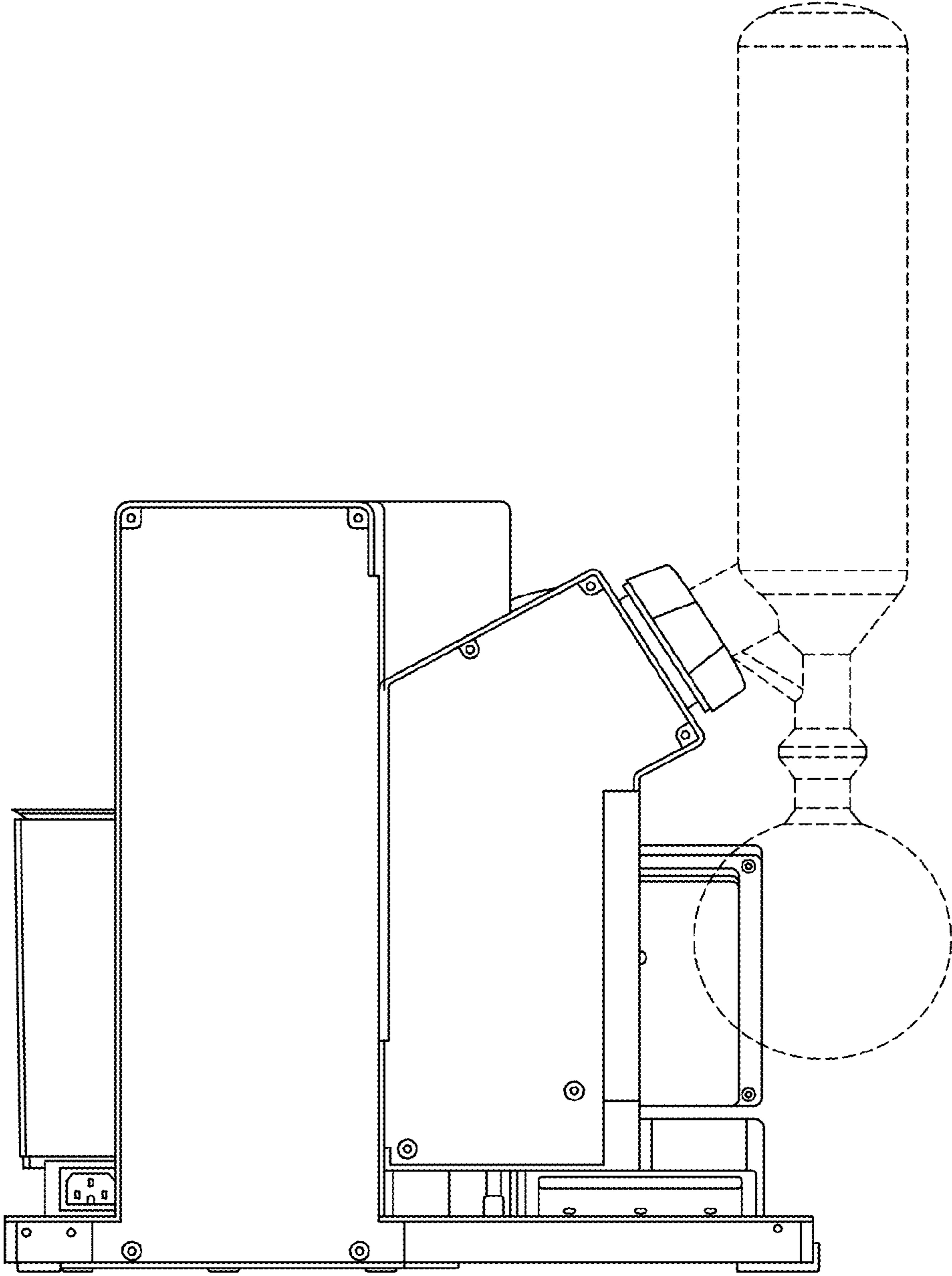


FIG.11

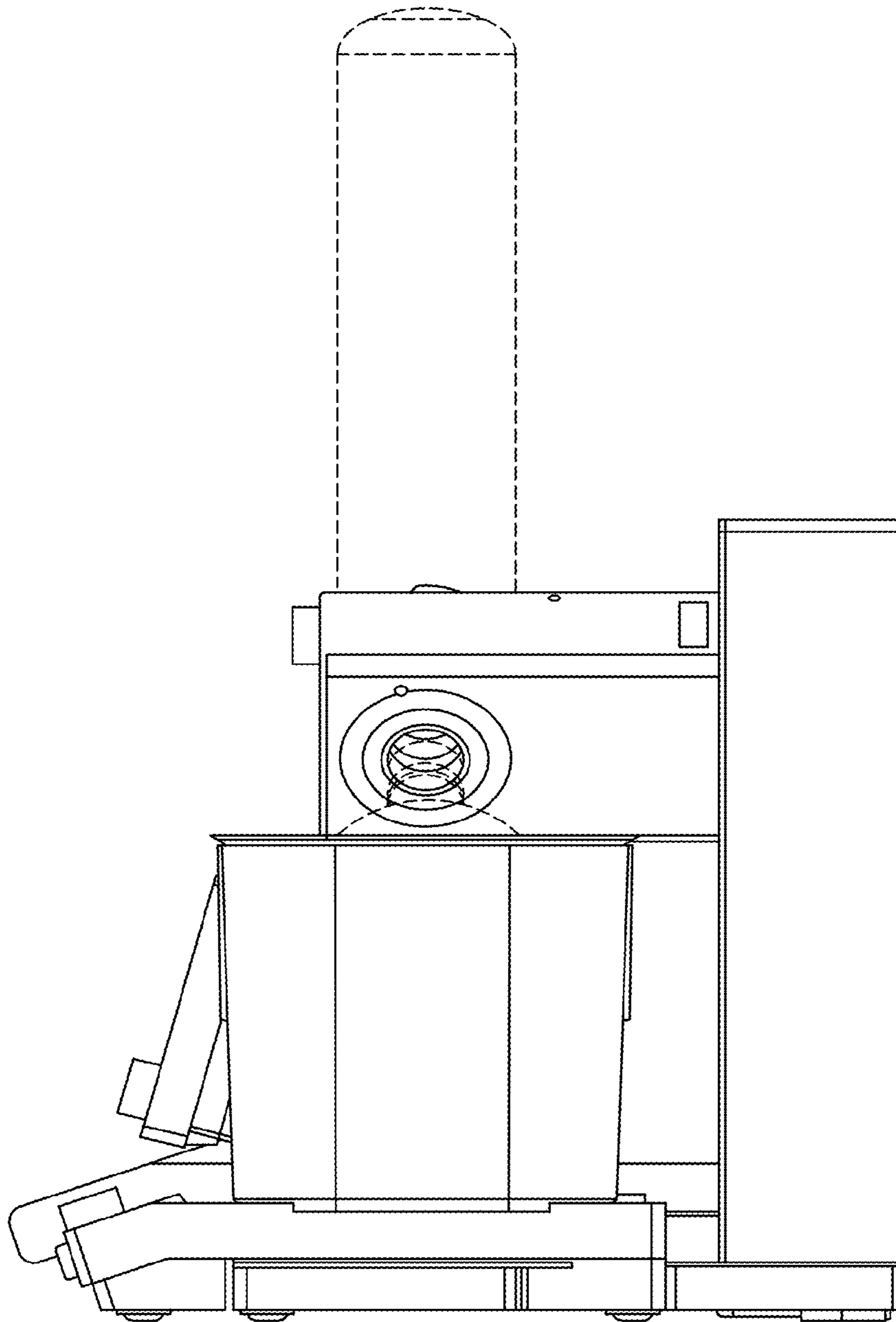


FIG.12

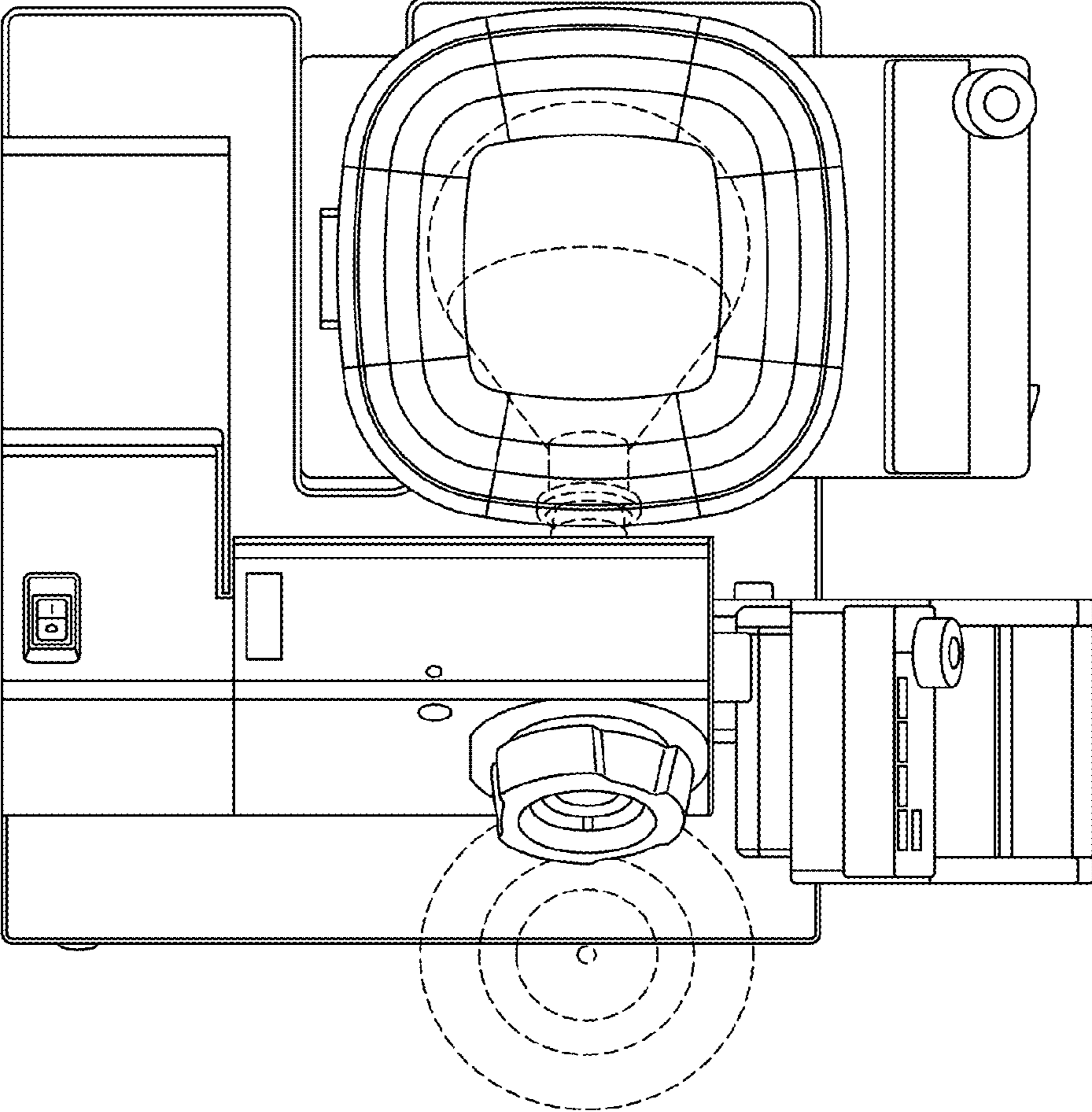


FIG.13

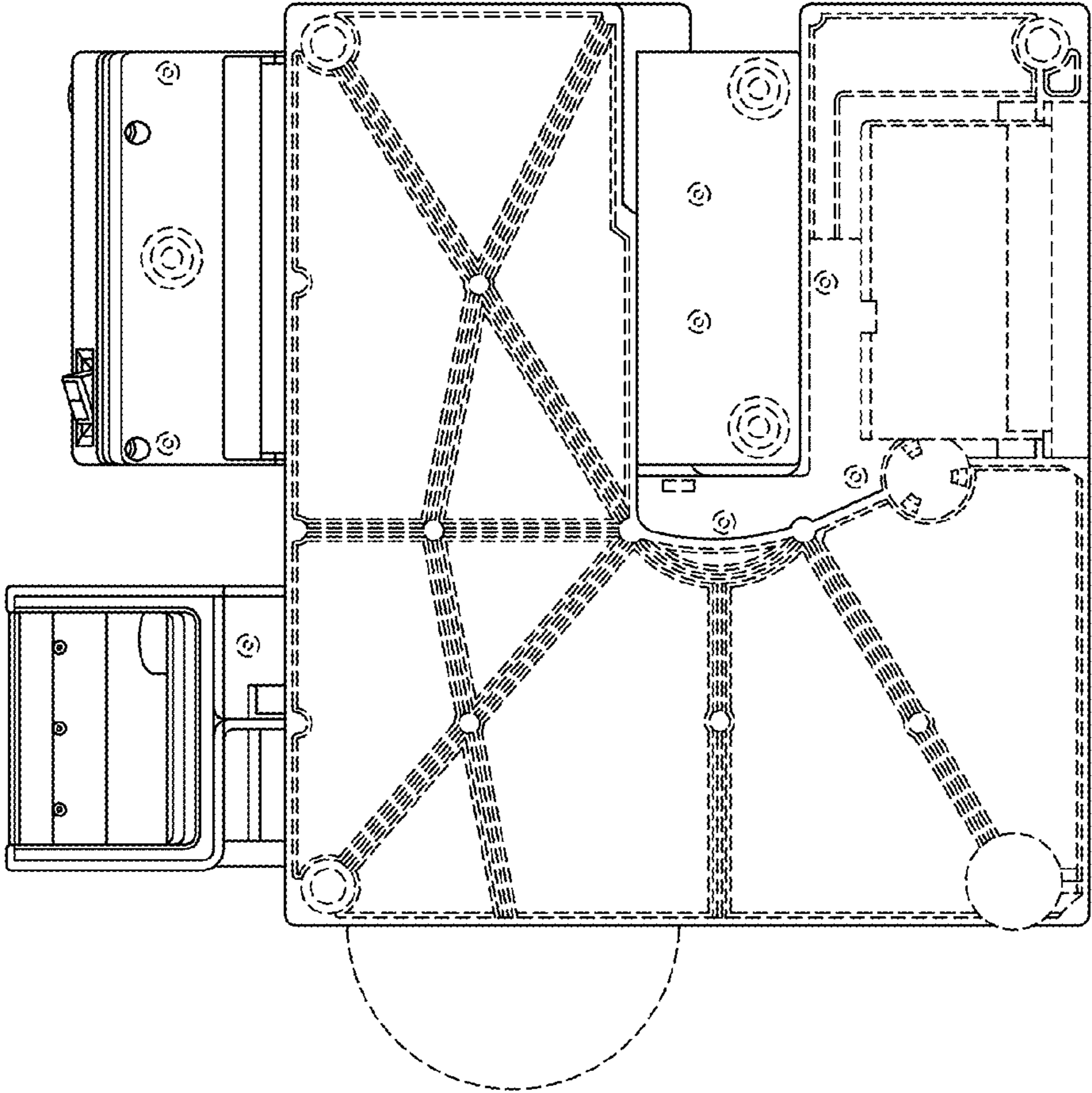


FIG. 14