



US00D748231S

(12) **United States Design Patent**
Desfosse

(10) **Patent No.:** **US D748,231 S**
(45) **Date of Patent:** **** Jan. 26, 2016**

(54) **SEAT FOR WATER CLOSETS**
(71) Applicant: **Arnaud Desfosse**, Nantes (FR)
(72) Inventor: **Arnaud Desfosse**, Nantes (FR)
(**) Term: **14 Years**
(21) Appl. No.: **29/506,392**
(22) Filed: **Oct. 15, 2014**

(30) **Foreign Application Priority Data**
Apr. 18, 2014 (EM) 002449827-0001
(51) **LOC (10) Cl.** **23-02**
(52) **U.S. Cl.**
USPC **D23/311**
(58) **Field of Classification Search**
USPC D23/309, 311-312, 295, 296, 299, 303
CPC A47K 13/00; A47K 13/24; A47K 13/28;
A47K 17/026
See application file for complete search history.

(56) **References Cited**
U.S. PATENT DOCUMENTS
D236,119 S * 7/1975 Slawinski et al. D23/311
4,977,628 A * 12/1990 Barrett A47K 17/026
4/237
D367,922 S * 3/1996 Kobayashi D23/311
D377,208 S * 1/1997 Kivela D23/311

5,708,989 A * 1/1998 Ellis A47K 17/026
4/237
6,212,695 B1 * 4/2001 Arduini A47K 17/026
4/254
6,904,622 B1 * 6/2005 Gabriel A47K 17/026
4/237
7,958,576 B1 * 6/2011 Johnson A47K 17/026
4/237
8,510,873 B2 * 8/2013 Kim A47K 17/026
4/254

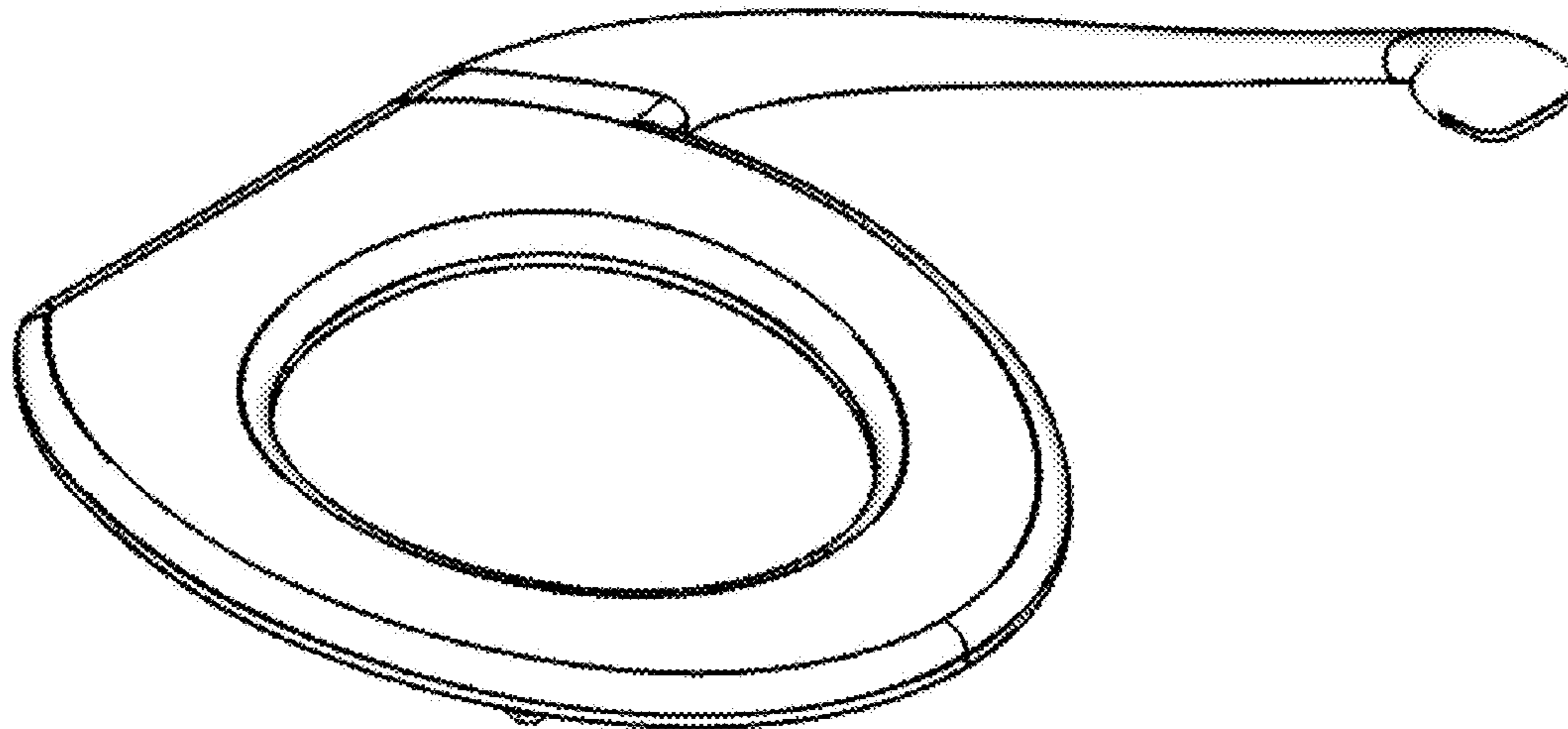
* cited by examiner

Primary Examiner — Robert Delehanty
(74) *Attorney, Agent, or Firm* — Locke Lord LLP; James E. Armstrong, IV; Gregory Bennett

(57) **CLAIM**
The ornamental design for a seat for water closets, as shown and described.

DESCRIPTION
FIG. 1 is a perspective view of an upper side of the seat for water closets.
FIG. 2 is a top plan view of the seat for water closets.
FIG. 3 is a bottom plan view of the seat for water closets.
FIG. 4 is a front elevation view of the seat for water closets.
FIG. 5 is a rear elevation view of the seat for water closets.
FIG. 6 is a right elevation view of the seat for water closets; and,
FIG. 7 is a left elevation view of the seat for water closets.

1 Claim, 5 Drawing Sheets



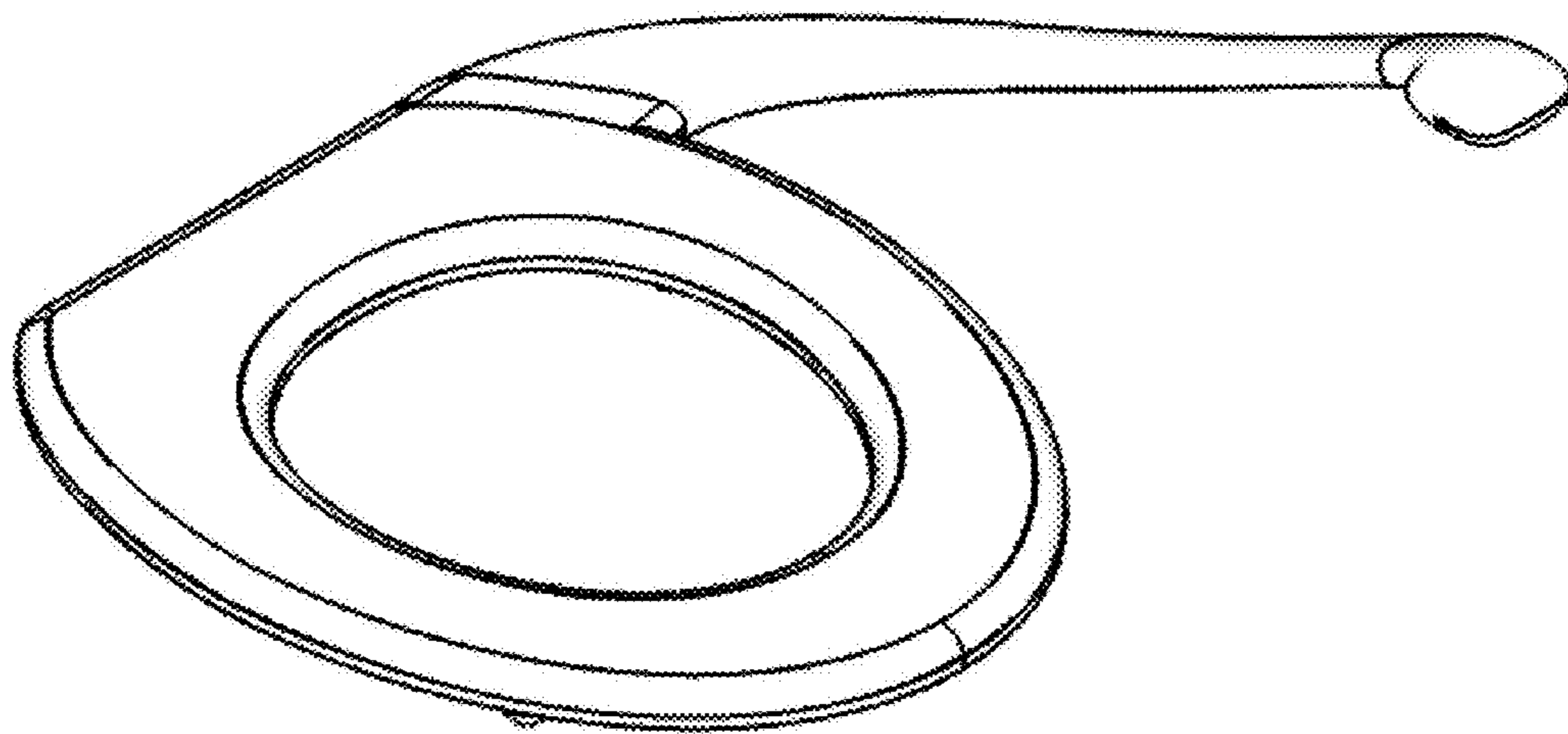


FIG. 1

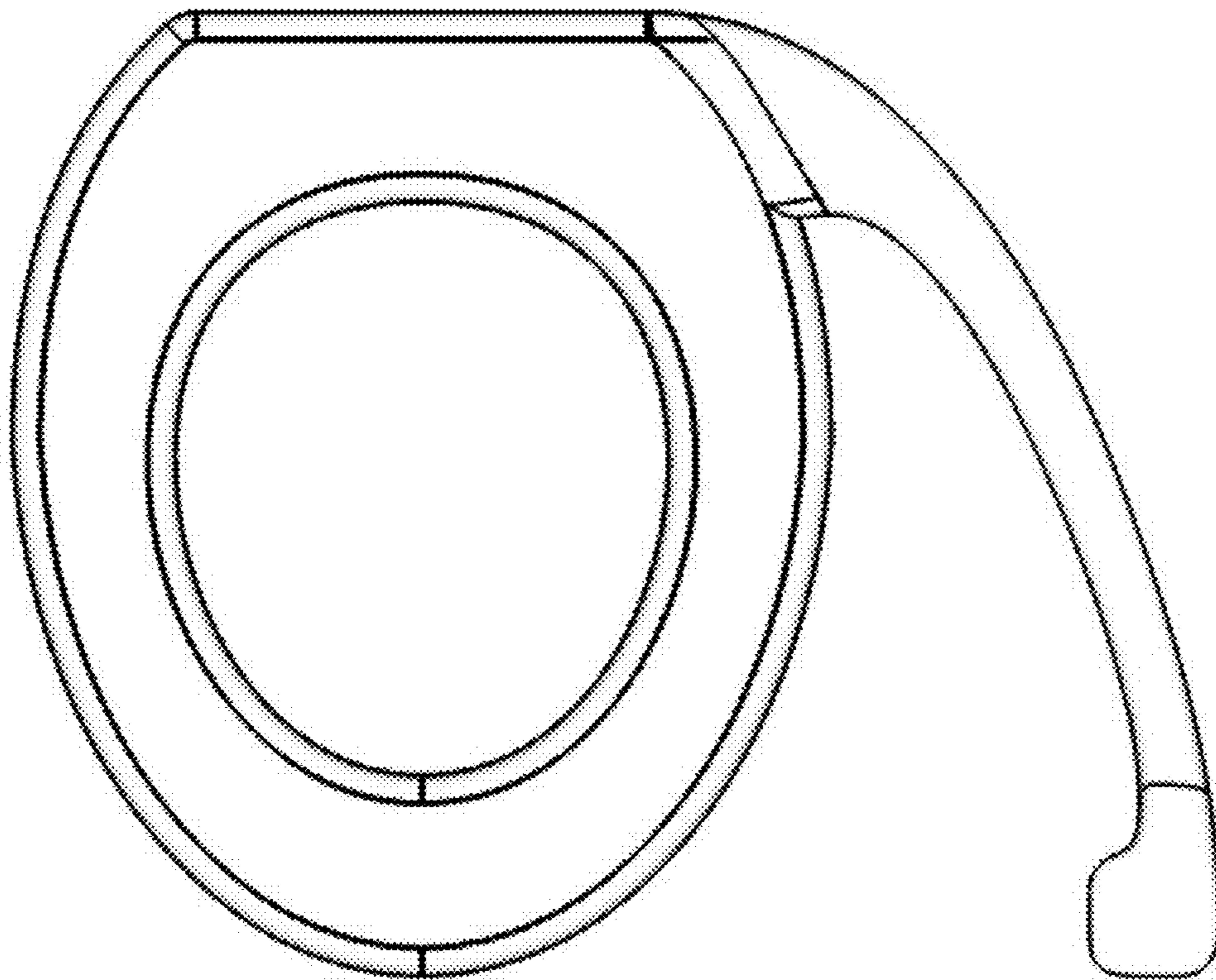


FIG. 2

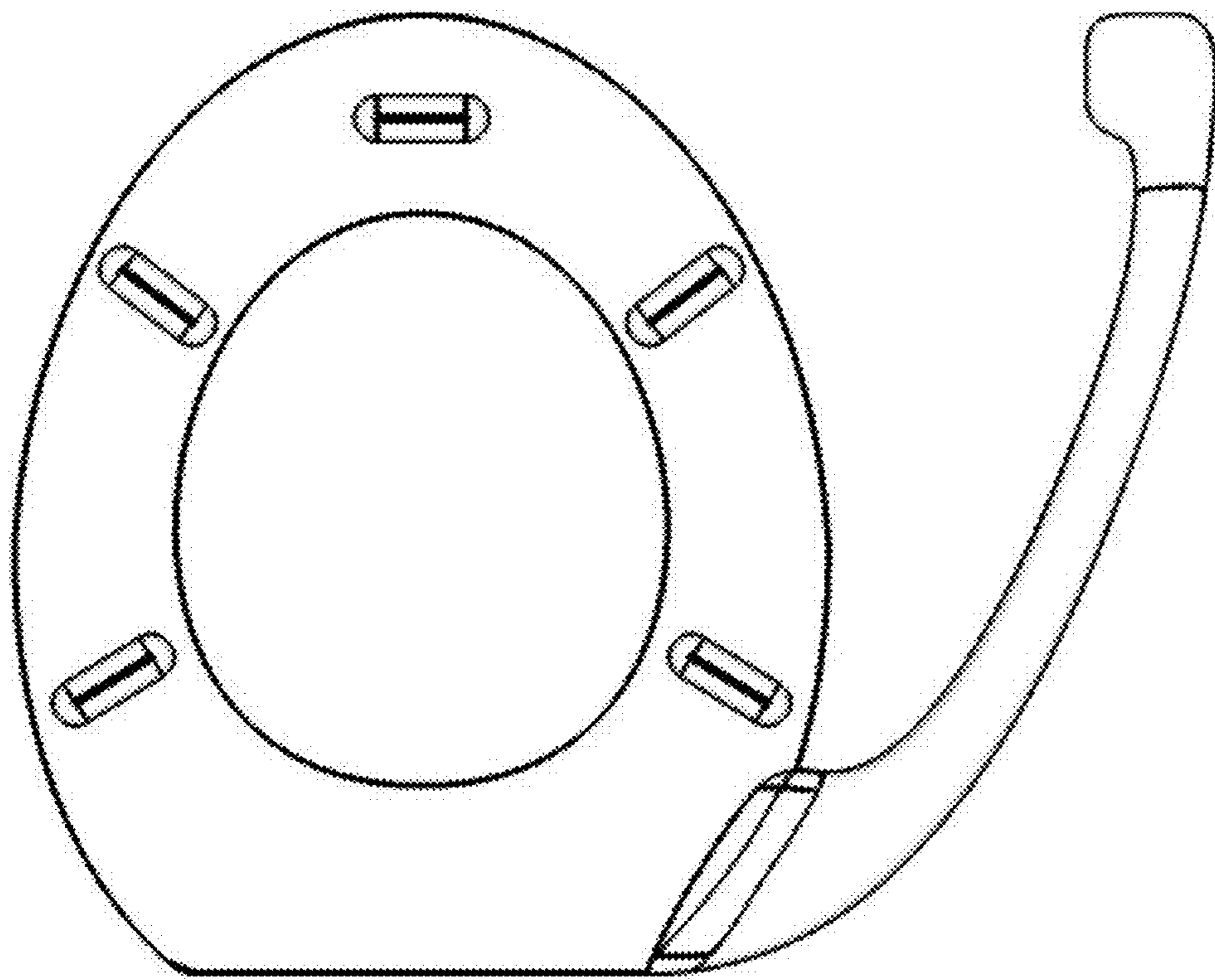


FIG. 3

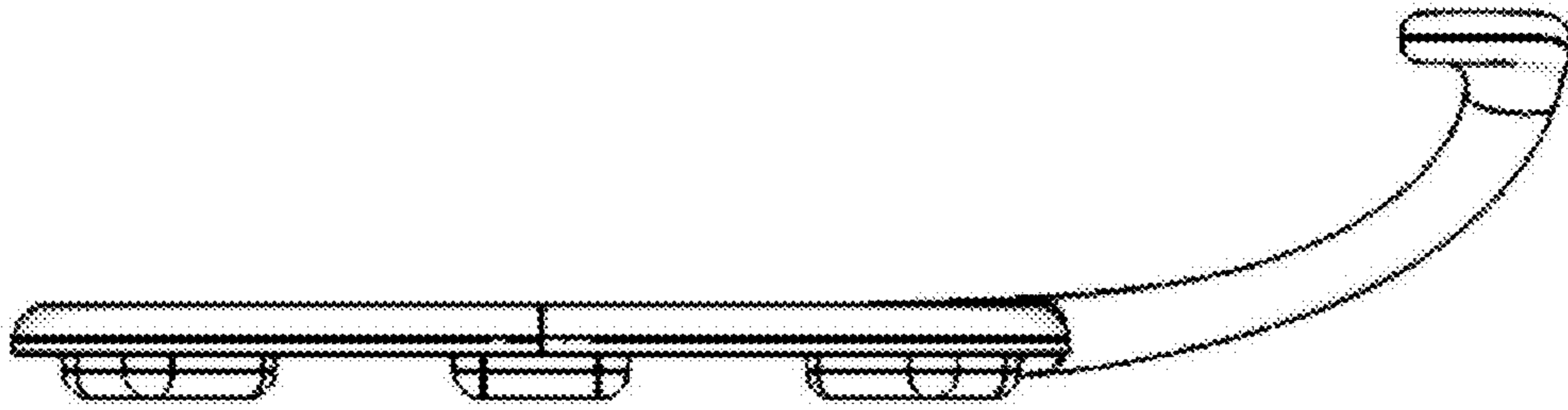


FIG. 4

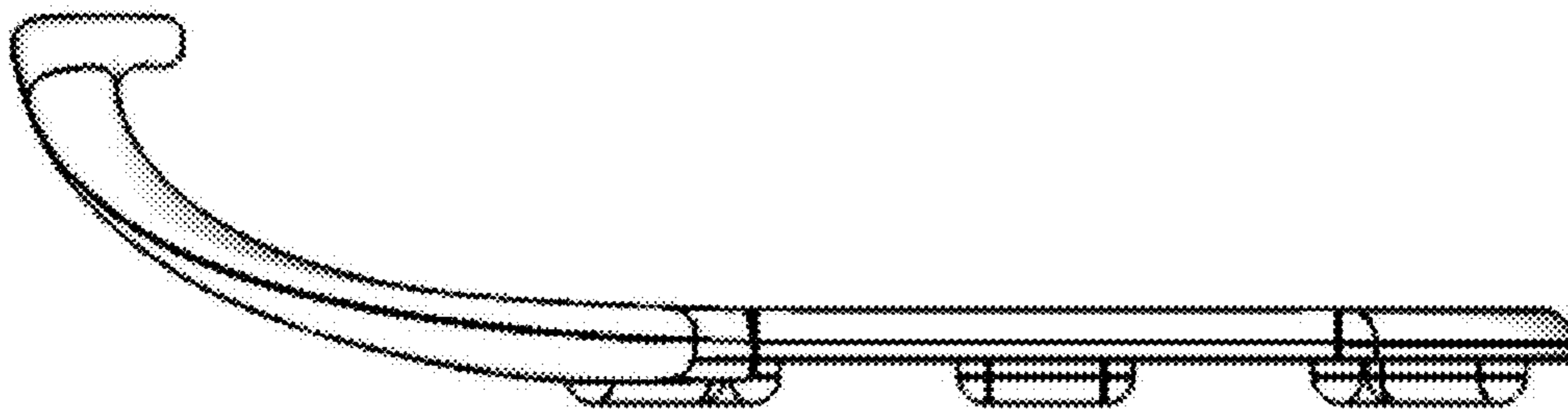


FIG. 5

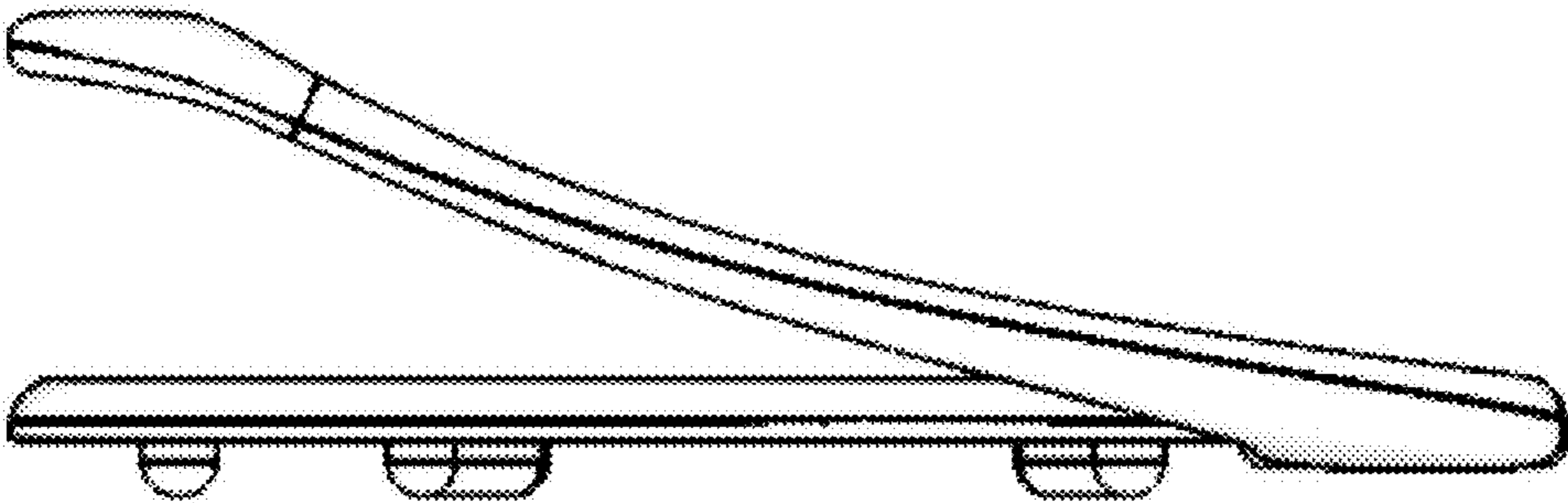


FIG. 6

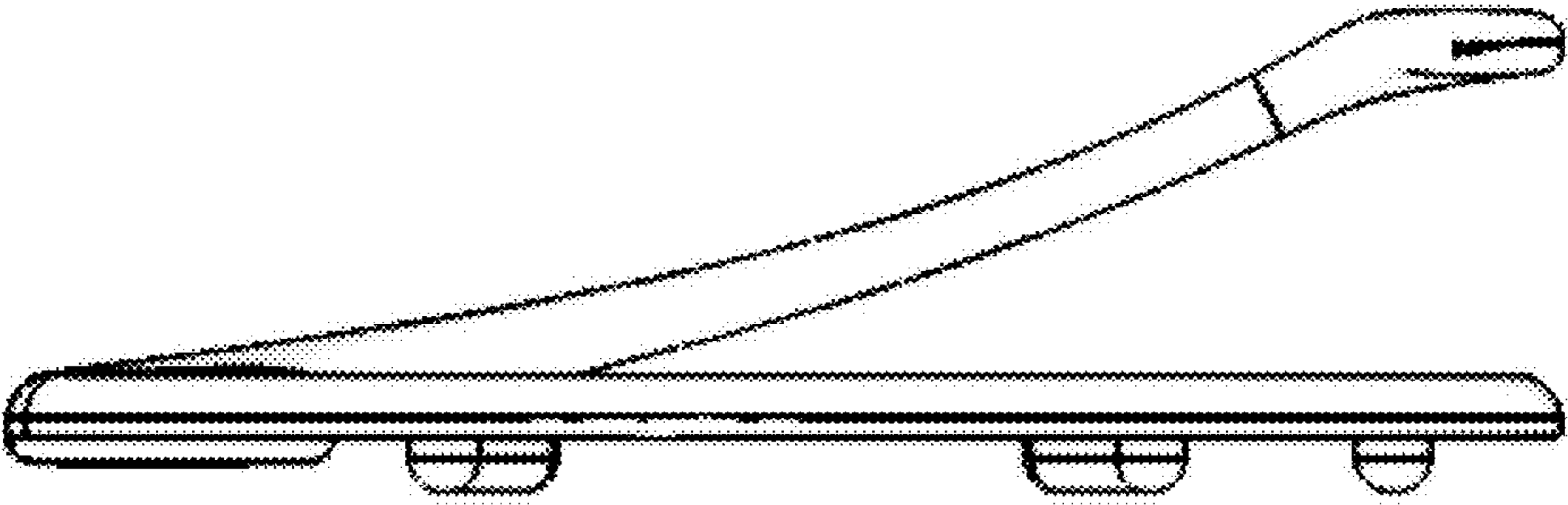


FIG. 7