



US00D748230S

(12) **United States Design Patent**
Xu

(10) **Patent No.:** **US D748,230 S**
(45) **Date of Patent:** **** Jan. 26, 2016**

(54) **BATHROOM SINK**

(71) Applicant: **YUYAO AFA KITCHENWARE CO., LTD.**, Zhejiang (CN)

(72) Inventor: **Wengao Xu**, Zhejiang (CN)

(73) Assignee: **Yuyao AFA Kitchenware Co. Ltd.** (CN)

(**) Term: **14 Years**

(21) Appl. No.: **29/514,947**

(22) Filed: **Jan. 19, 2015**

(51) **LOC (10) Cl.** **23-02**

(52) **U.S. Cl.**
USPC **D23/284**

(58) **Field of Classification Search**
USPC D23/271–274, 284, 286, 291–293.1,
D23/303, 308
CPC E03C 1/00; E03C 1/01; E03C 1/02;
E03C 1/12; E03C 1/18

See application file for complete search history.

(56) **References Cited**

U.S. PATENT DOCUMENTS

D496,441 S *	9/2004	Moran	D23/284
D529,148 S *	9/2006	Douglass	D23/284
D588,680 S *	3/2009	Cheng	D23/287
D724,708 S *	3/2015	Hsiao	D23/284

* cited by examiner

Primary Examiner — Robert Delehanty

(74) *Attorney, Agent, or Firm* — Raymond Sun

(57) **CLAIM**

The ornamental design for a bathroom sink, as shown and described.

DESCRIPTION

FIG. 1 is a front perspective view of a bathroom sink showing my new design.

FIG. 2 is a front view thereof.

FIG. 3 is a rear view thereof.

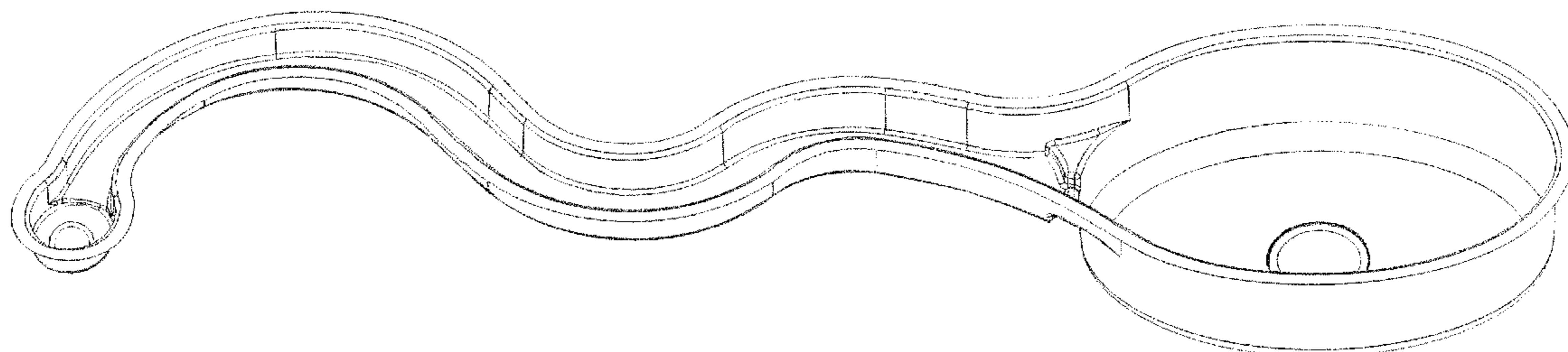
FIG. 4 is the left side view thereof.

FIG. 5 is a right side view thereof.

FIG. 6 is a top view thereof; and,

FIG. 7 is a bottom view thereof.

1 Claim, 7 Drawing Sheets



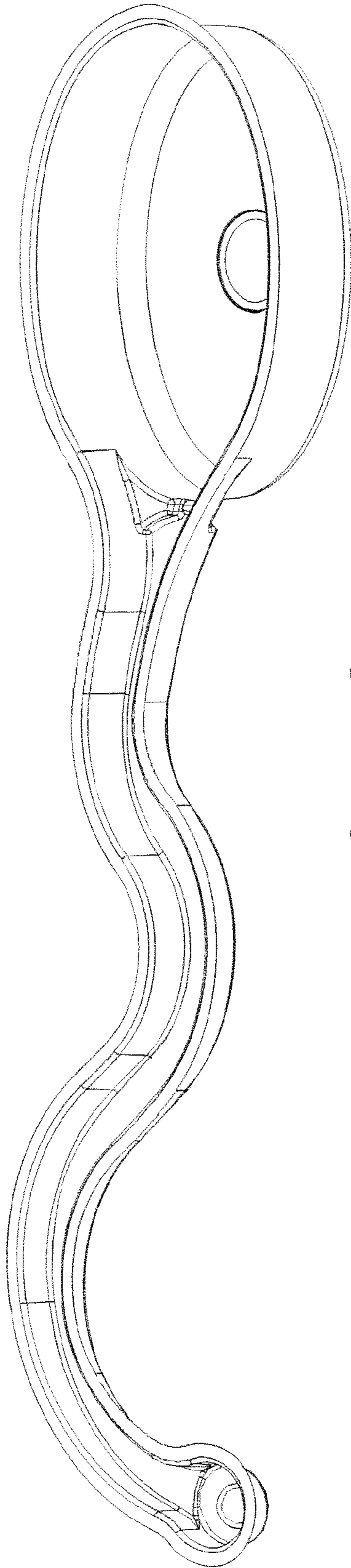


Fig. 1

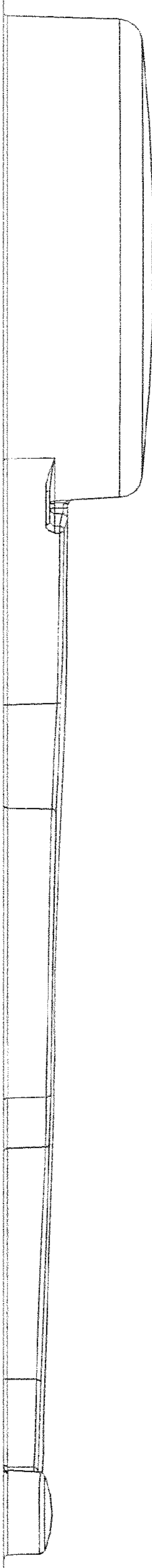


Fig. 2

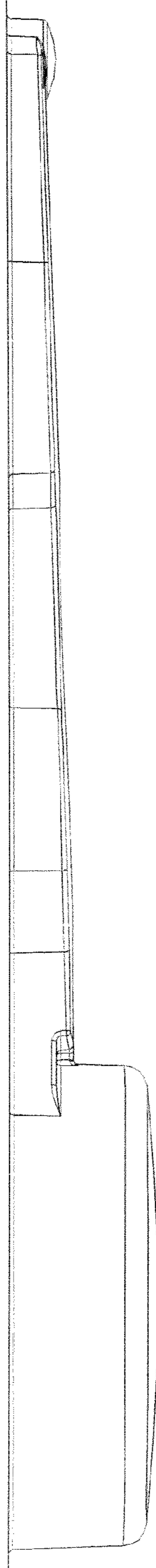


Fig. 3

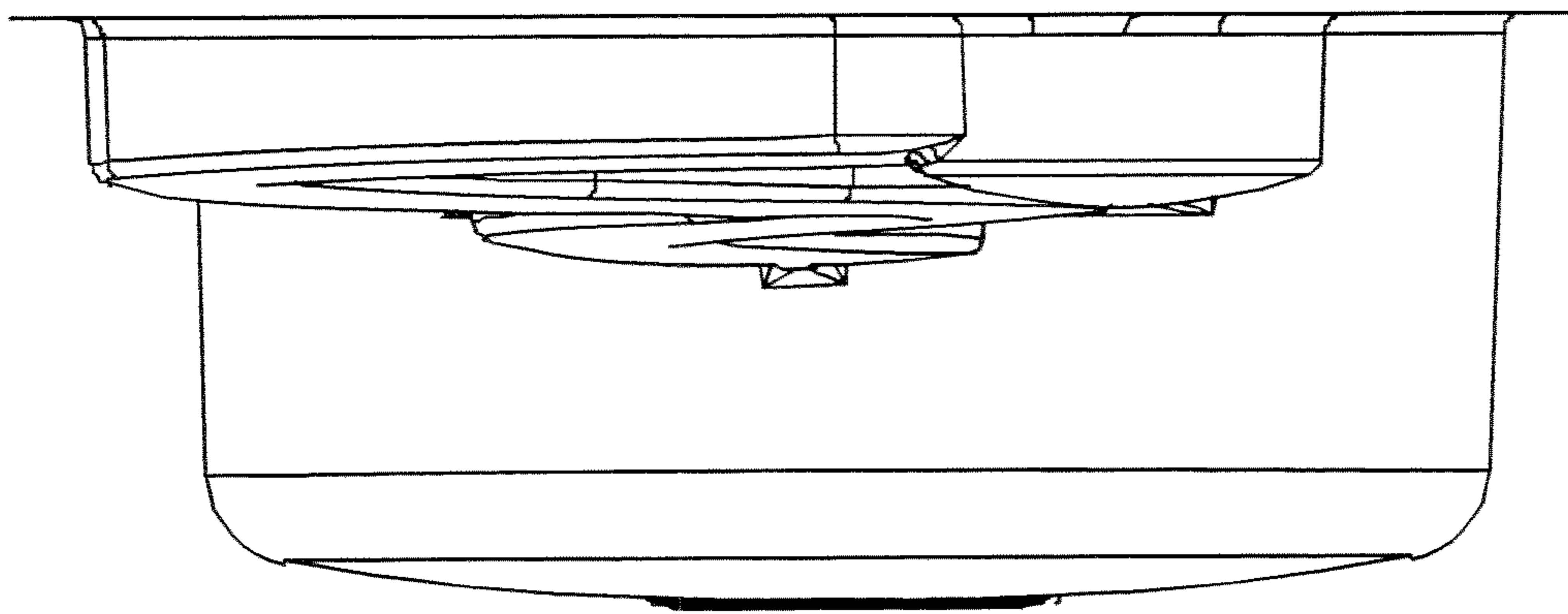


Fig. 4

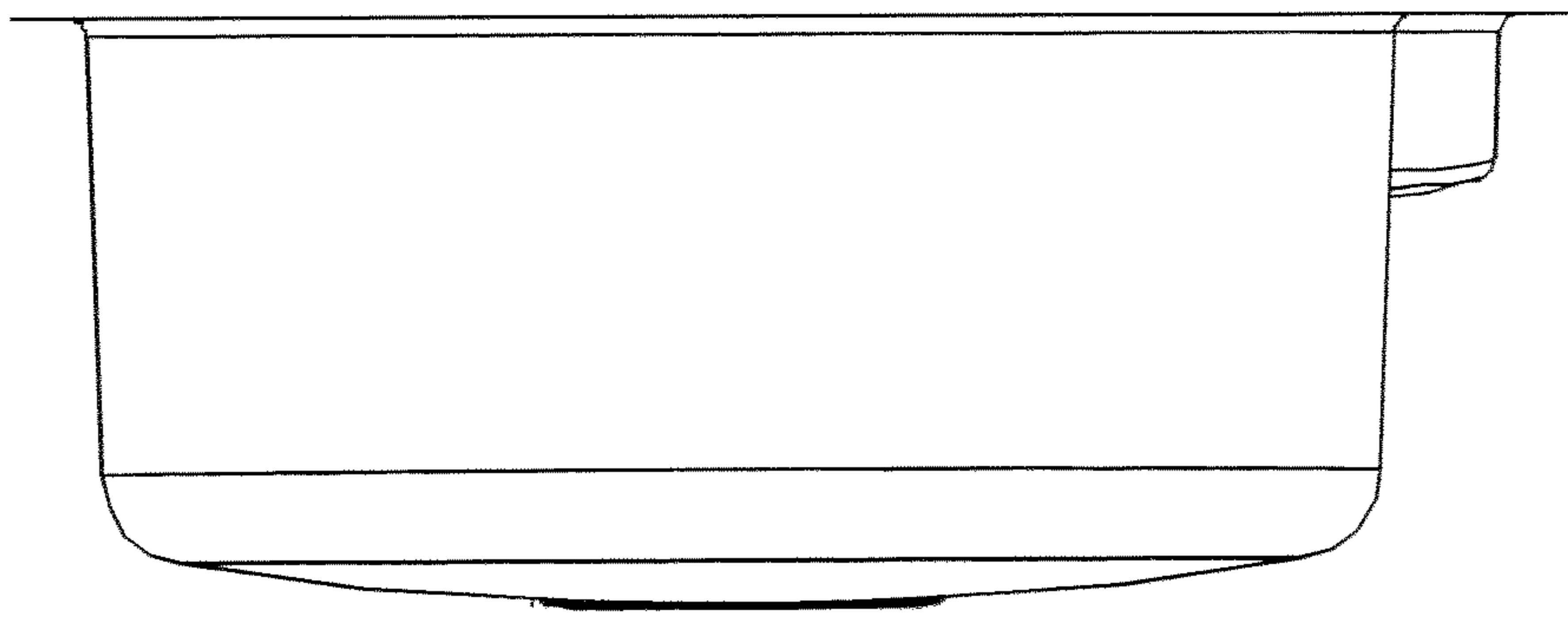


Fig. 5

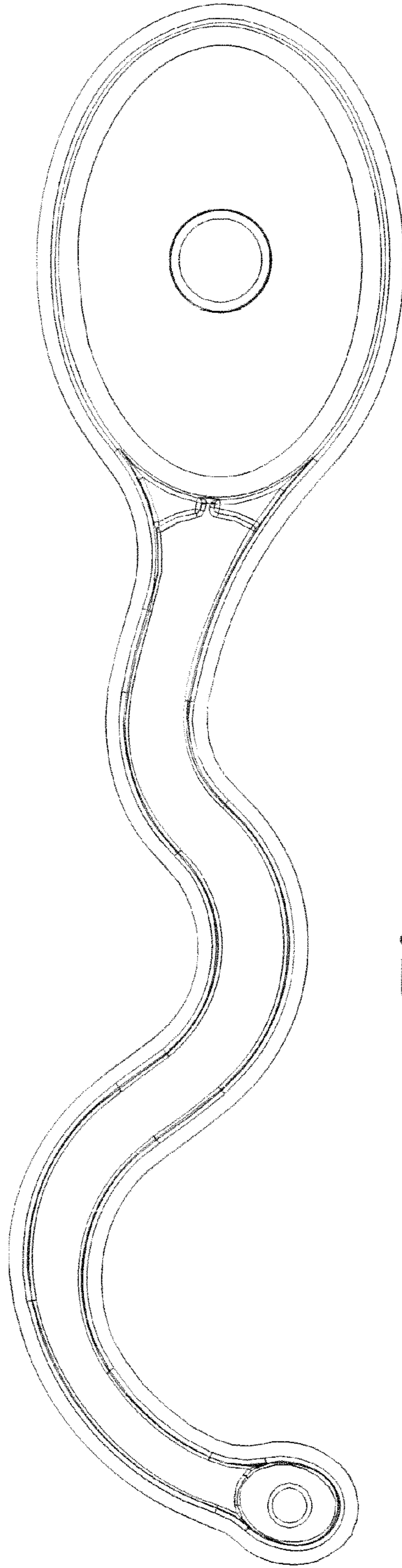


Fig. 6

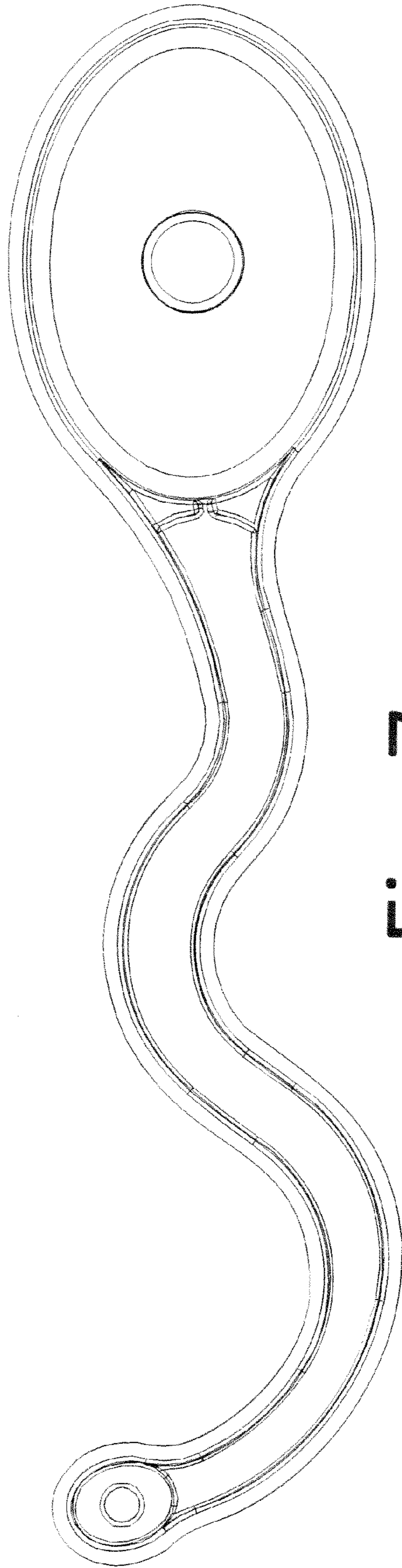


Fig. 7