



US00D748229S

(12) **United States Design Patent**
Yoshioka

(10) **Patent No.:** **US D748,229 S**
(45) **Date of Patent:** **** Jan. 26, 2016**

- (54) **LAVATORY**
- (71) Applicant: **TOTO, Ltd.**, Kitakyushu-shi, Fukuoka (JP)
- (72) Inventor: **Yuji Yoshioka**, Kitakyushu (JP)
- (73) Assignee: **TOTO, Ltd.**, Kitakyushu-shi, Fukuoka (JP)
- (**) Term: **14 Years**
- (21) Appl. No.: **29/514,263**
- (22) Filed: **Jan. 9, 2015**
- (51) **LOC (10) Cl.** **23-02**
- (52) **U.S. Cl.**
USPC **D23/284**
- (58) **Field of Classification Search**
USPC D23/271-274, 284, 286, 291-293.1, D23/303, 308
CPC E03C 1/00; E03C 1/01; E03C 1/02; E03C 1/12; E03C 1/18
See application file for complete search history.

- D507,334 S * 7/2005 Ferrer Beltran D23/293.1
- D598,990 S * 8/2009 Durringer D23/284
- D634,410 S * 3/2011 Palomba D23/284
- D687,529 S * 8/2013 Stauffer D23/293.1

* cited by examiner

Primary Examiner — Robert Delehanty
(74) *Attorney, Agent, or Firm* — Banner & Witcoff, Ltd.

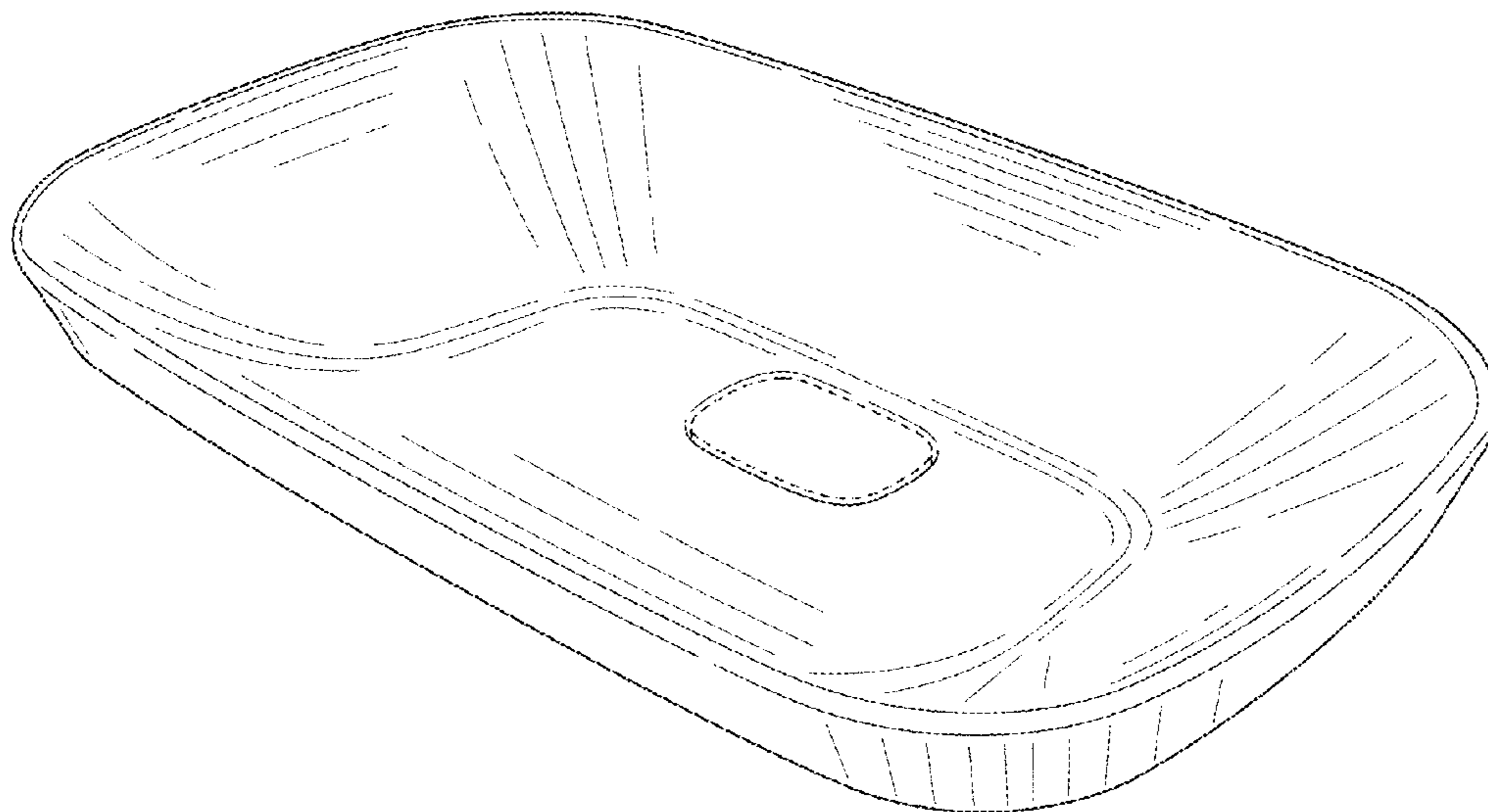
(57) **CLAIM**
The ornamental design for a lavatory, as shown and described.

DESCRIPTION

FIG. 1 is a perspective view of a lavatory showing my new design;
FIG. 2 is a front view thereof;
FIG. 3 is a rear view thereof;
FIG. 4 is a left side view thereof;
FIG. 5 is a top view thereof;
FIG. 6 is a bottom view thereof; and,
FIG. 7 is a cross-sectional view taken along line 7-7 in FIG. 5.
The broken lines shown are included for the purpose of illustrating the unclaimed portions of the lavatory and form no part of the claimed design.

- (56) **References Cited**
U.S. PATENT DOCUMENTS
D385,957 S * 11/1997 Laguera Garza D23/284

1 Claim, 3 Drawing Sheets



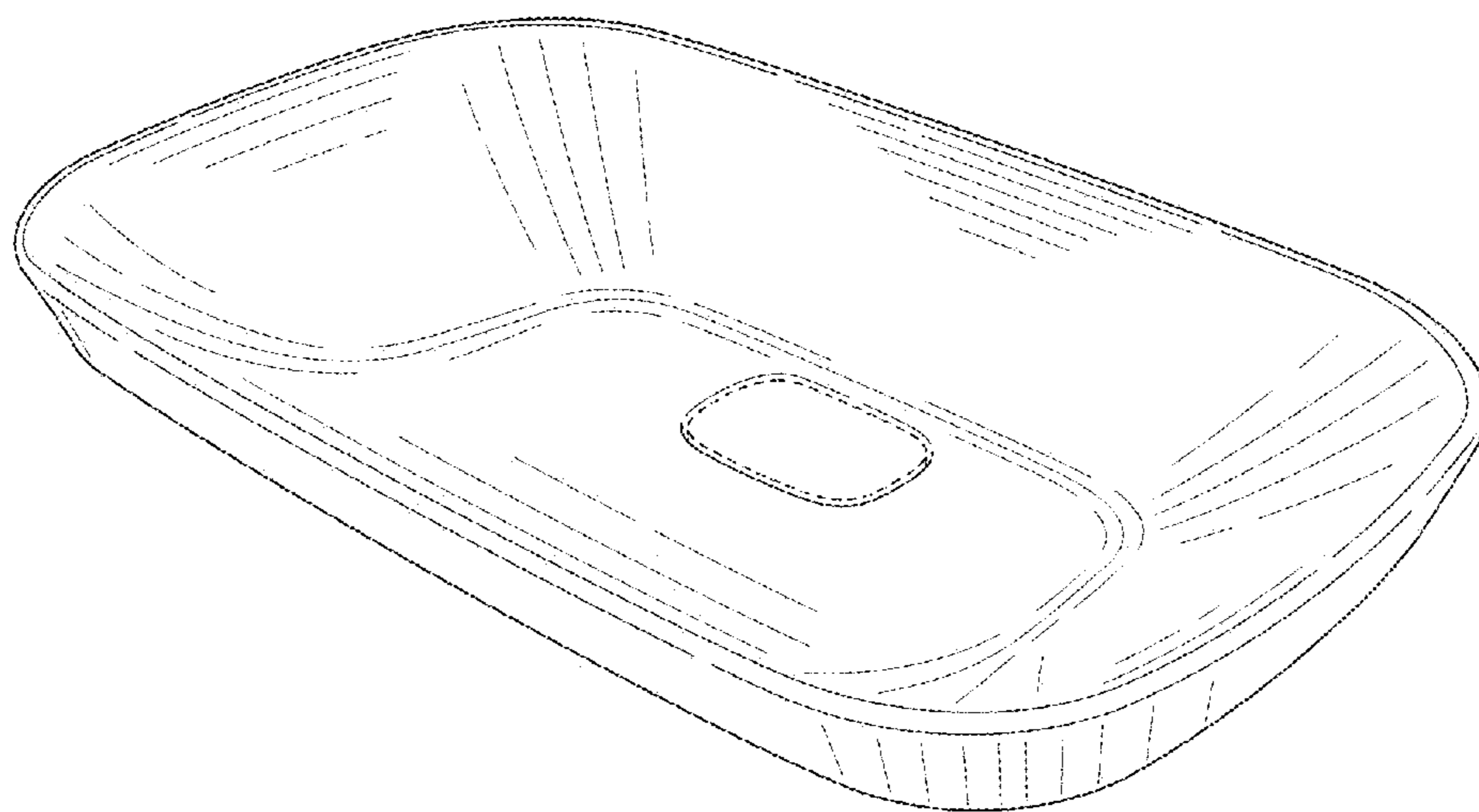


FIG. 1

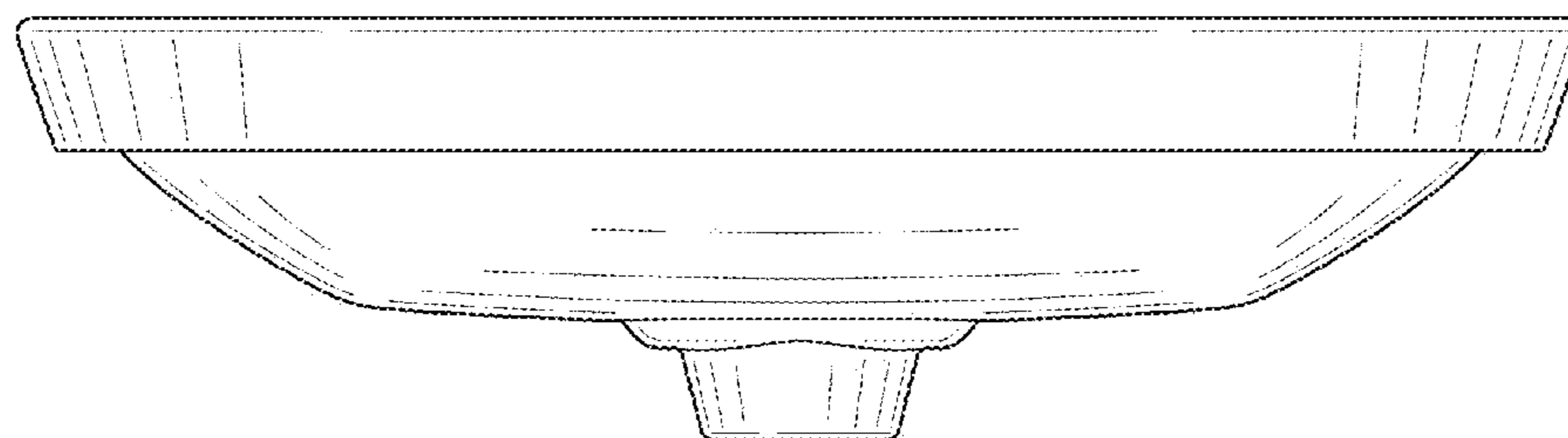


FIG. 2

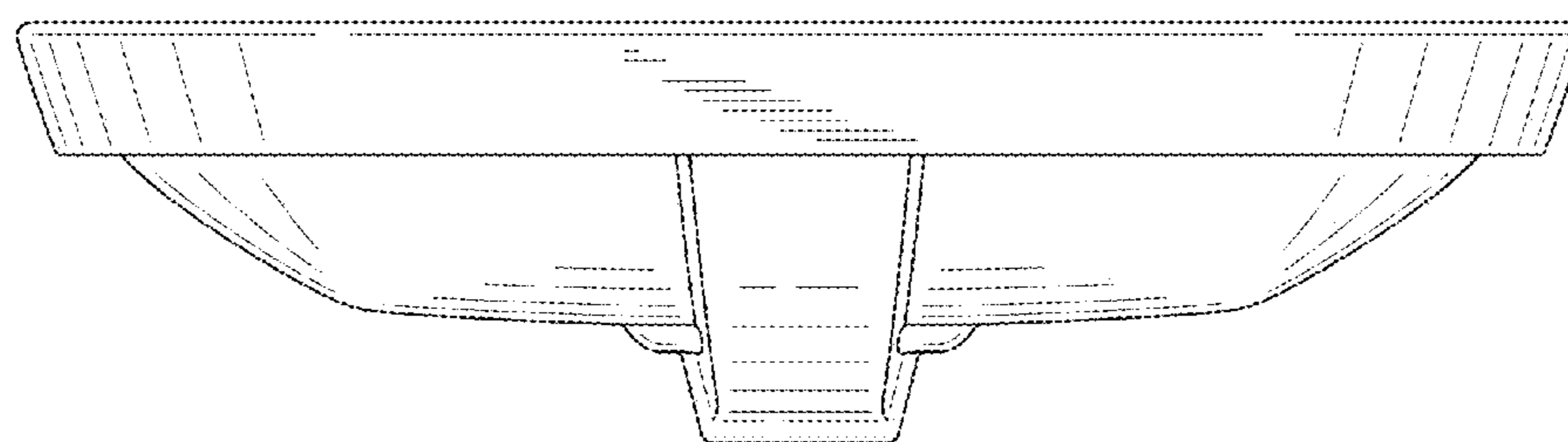


FIG. 3

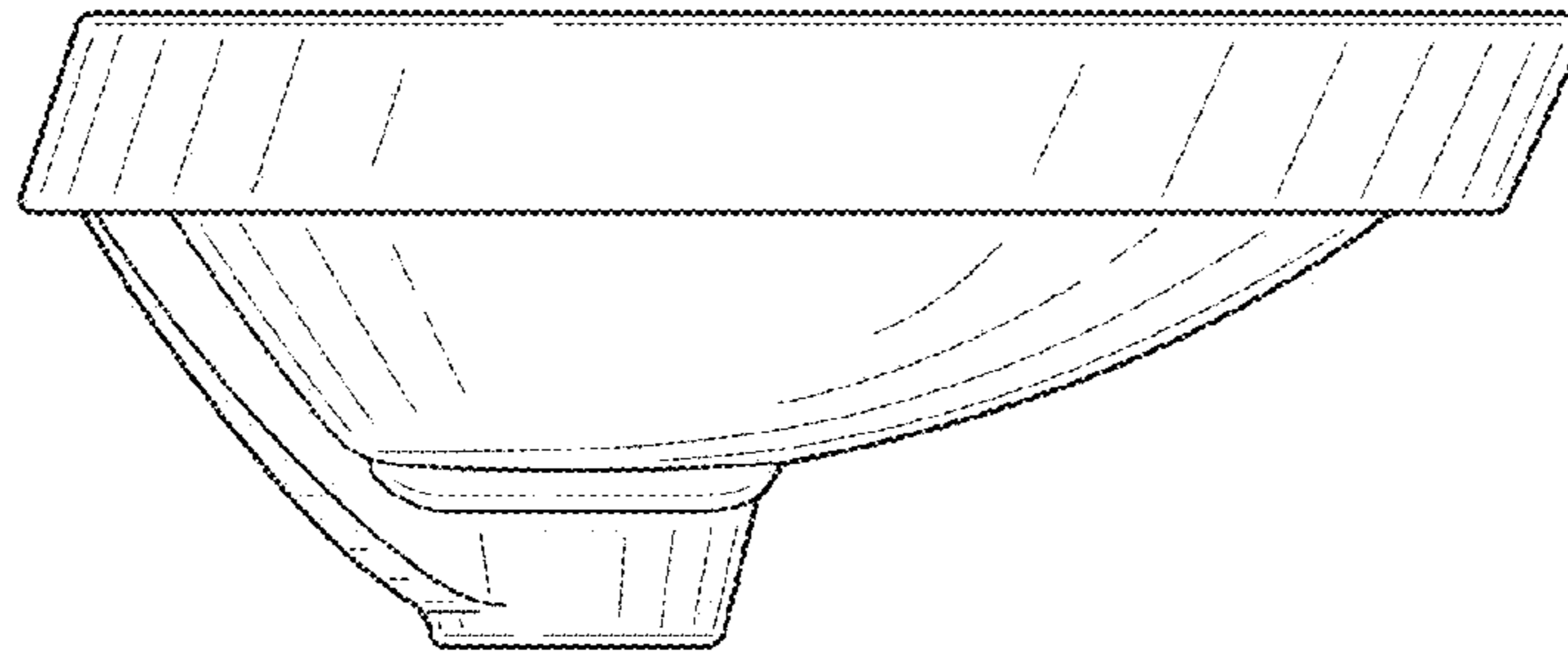


FIG. 4

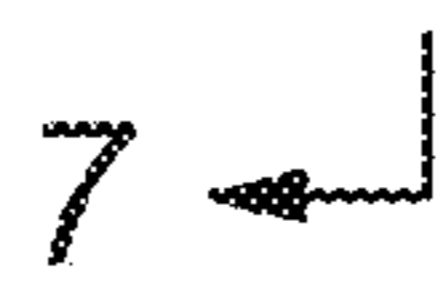
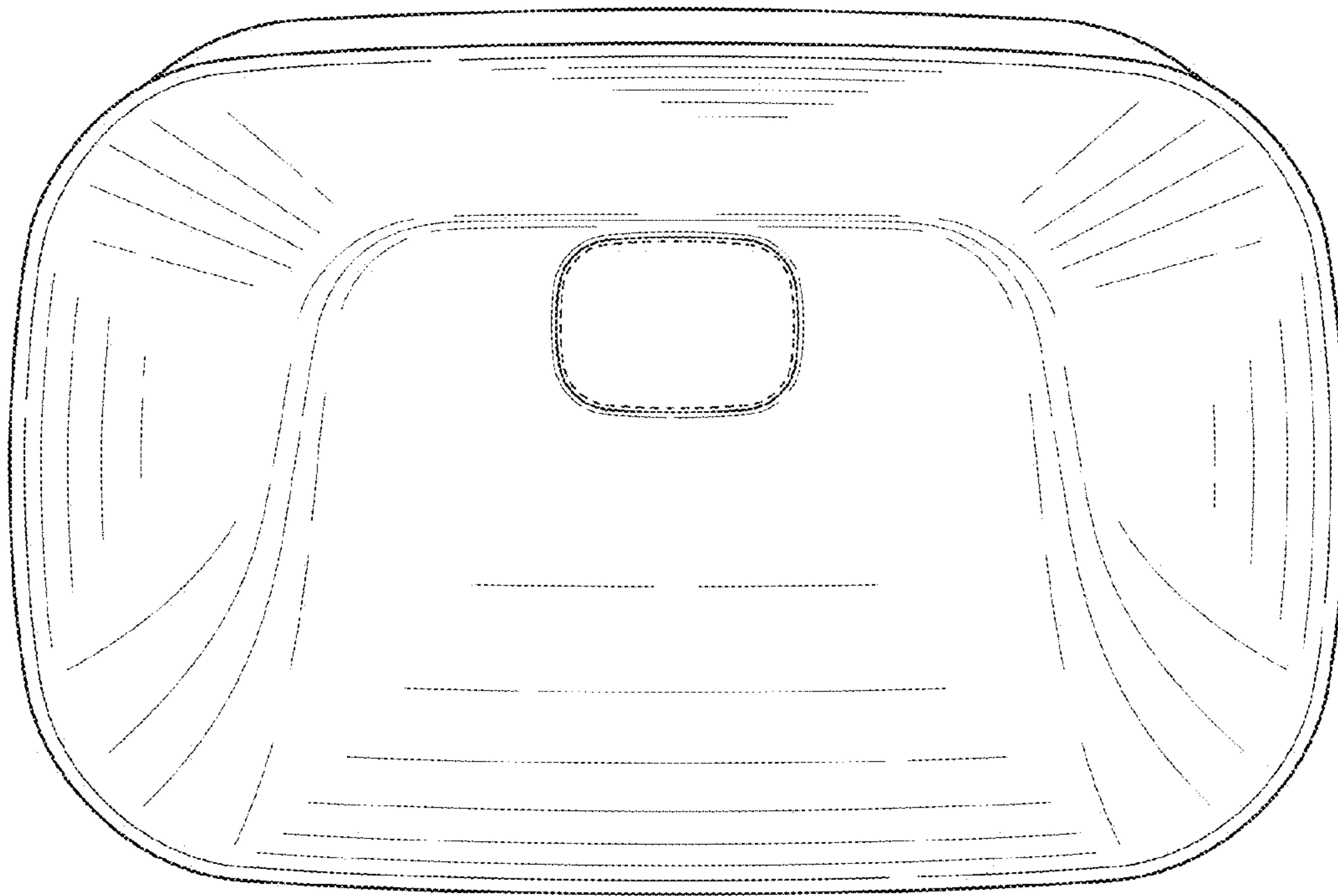
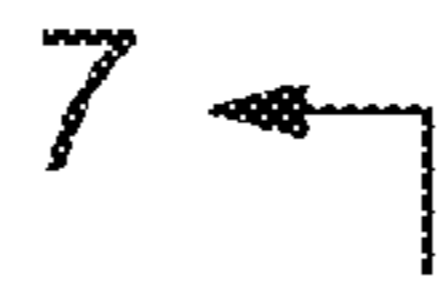


FIG. 5

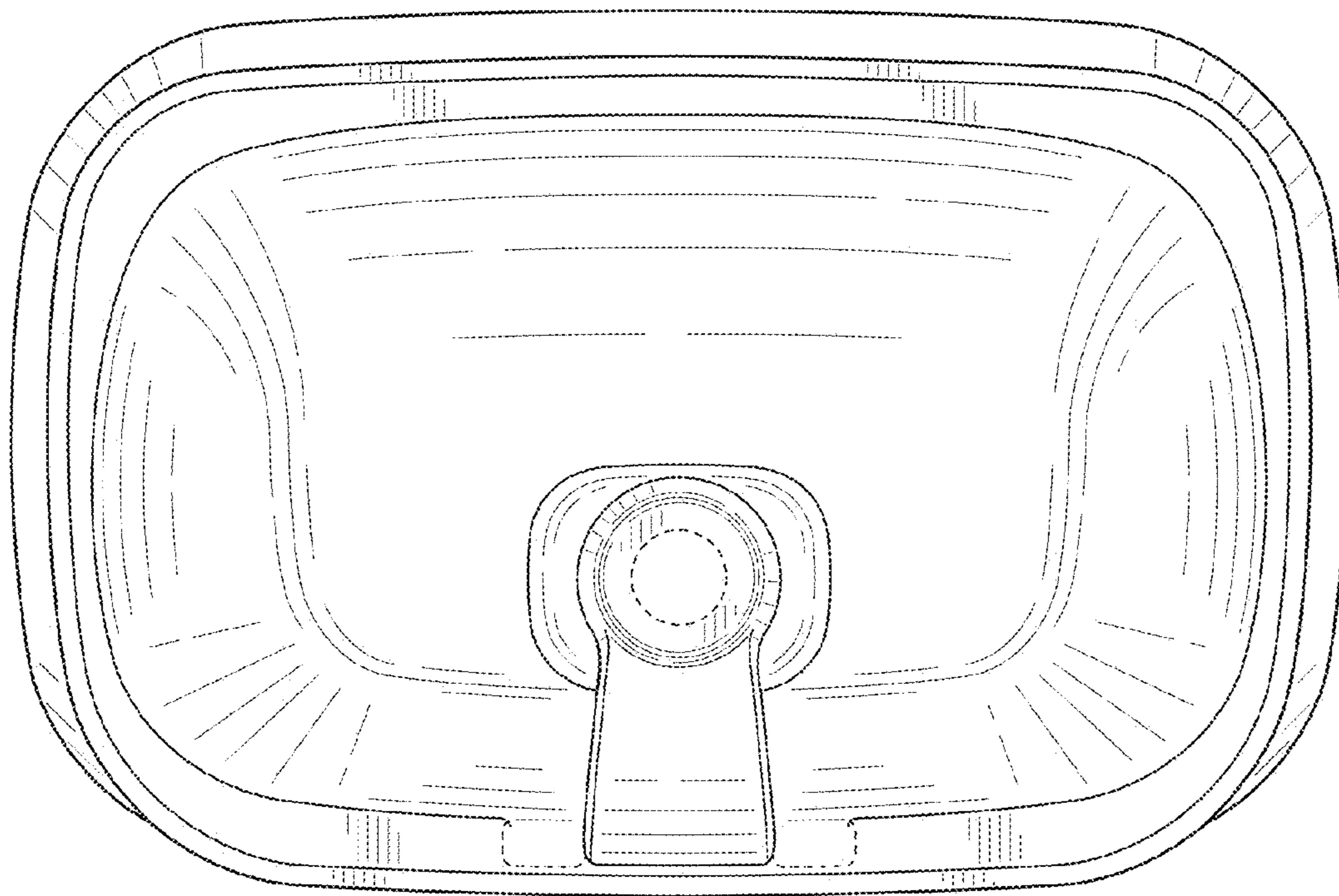


FIG. 6

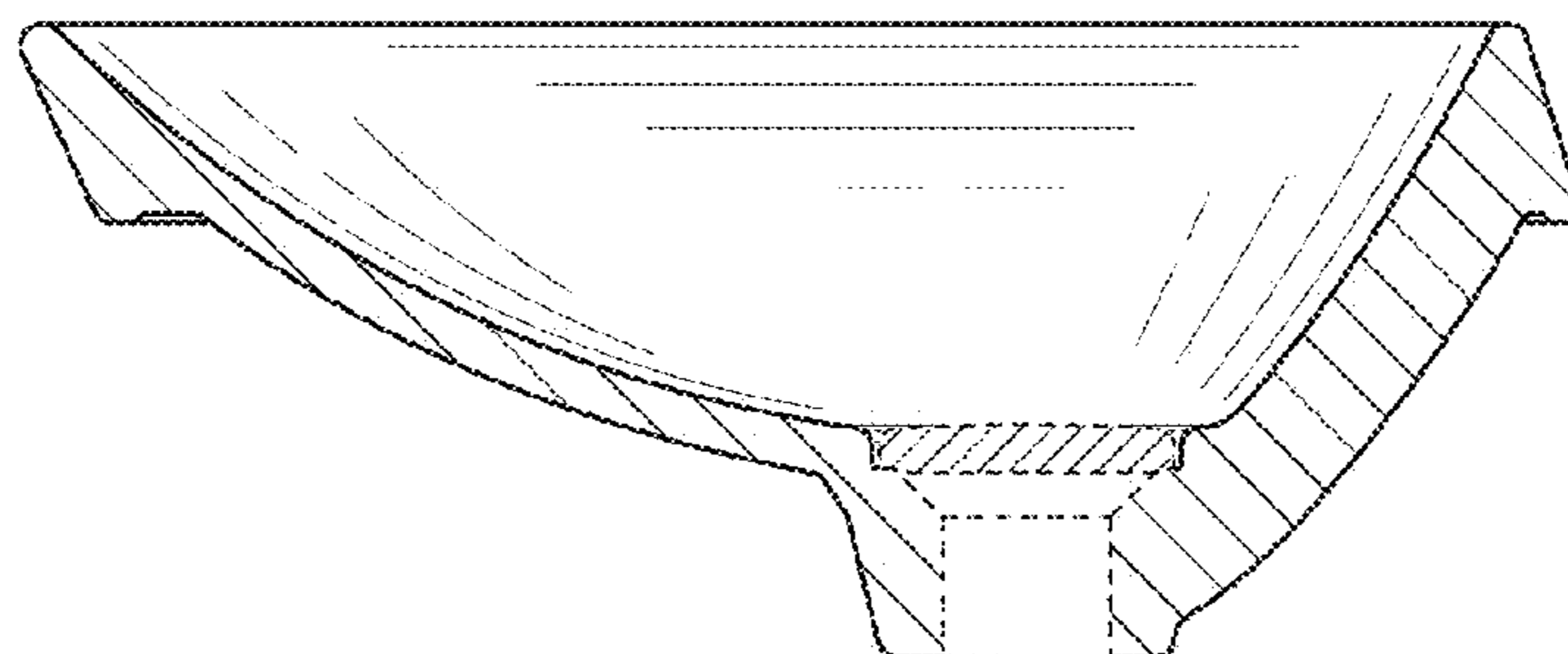


FIG. 7