

US00D748227S

(12) **United States Design Patent**  
**von Lepel et al.**

(10) **Patent No.:** **US D748,227 S**  
(45) **Date of Patent:** **\*\* Jan. 26, 2016**

- (54) **VENT CAP**
- (71) Applicant: **W. L. Gore & Associates GmbH**,  
Putzbrunn (DE)
- (72) Inventors: **Henning von Lepel**, Bad Tölz (DE);  
**Benjamin Drieske**, Unterhaching (DE);  
**Günter Treffert**, Grafing (DE); **Mike**  
**Seybel**, München (DE)
- (73) Assignee: **W. L. Gore & Associates GmbH**
- (\*\*) Term: **14 Years**
- (21) Appl. No.: **29/482,918**
- (22) Filed: **Feb. 24, 2014**
- (51) **LOC (10) Cl.** ..... **23-01**
- (52) **U.S. Cl.**  
USPC ..... **D23/260**
- (58) **Field of Classification Search**  
USPC ..... D23/259, 260, 261, 262, 263, 264, 265;  
138/82, 89.3, 90; D9/443, 452;  
D12/197; 220/203.14, 304, 368;  
429/54, 82, 86, 89  
See application file for complete search history.

D688,945	S	*	9/2013	Kim	.....	D9/452
2004/0065376	A1	*	4/2004	Kristofferson et al.	.....	138/89
2010/0068431	A1		3/2010	Bansal et al.		
2010/0227543	A1		9/2010	Furuyama		
2011/0275305	A1		11/2011	Egersdoerfer et al.		
2014/0014662	A1	*	1/2014	Hensel	.....	220/367.1
2014/0141292	A1	*	5/2014	Lee et al.	.....	429/54

**FOREIGN PATENT DOCUMENTS**

DE	10 2007 050 921	A1	5/2009
EP	0 377 067	A1	1/1989
EP	1 939 523	A1	7/2008
EP	1 964 658	A1	9/2008
EP	1 270 207	B1	3/2010
EP	1 955 901	B1	5/2010
EP	2 236 918	A2	10/2010
EP	1 363 069	B1	2/2011
EP	2 292 473	A1	3/2011
EP	2 441 625	A1	4/2012
WO	WO 2011/114640	A1	3/2011

**OTHER PUBLICATIONS**

Protective Vents, Products, Gore.com, Searched Aug. 28, 2014,  
[http://www.gore.com/en\\_xx/products/venting/protective/protective\\_vents\\_product\\_comparison.html](http://www.gore.com/en_xx/products/venting/protective/protective_vents_product_comparison.html).\*  
Gore-Screw-In-Vents, News, Gore.com, Searched Aug. 27, 2014,  
[http://www.gore.com/en\\_xx/news/gore-screw-in-vents.html](http://www.gore.com/en_xx/news/gore-screw-in-vents.html).\*  
Vent Cap, Fuel Transfer, Northernntool.com, Searched Aug. 27, 2014,  
<http://answers.northernntool.com/answers/0394/product/109645/fill-rite-vent-cap-with-threaded-base-2in-npt-model-frtcb-questions-answers/questions.htm>.\*

\* cited by examiner

*Primary Examiner* — John Windmuller  
*Assistant Examiner* — Steven Czyz  
(74) *Attorney, Agent, or Firm* — Carol A. Lewis White

(56) **References Cited**

**U.S. PATENT DOCUMENTS**

2,835,720	A	*	5/1958	Buskirk	.....	429/89
3,083,255	A	*	3/1963	Slautterback	.....	429/89
3,083,256	A	*	3/1963	Slautterback	.....	429/89
3,108,911	A	*	10/1963	Miller	.....	429/89
4,072,799	A	*	2/1978	Leeson et al.	.....	429/82
4,165,816	A	*	8/1979	Tupper	.....	220/203.14
4,337,875	A	*	7/1982	Lyons	.....	220/368
4,416,391	A	*	11/1983	Sarrazin	.....	220/304
5,108,853	A	*	4/1992	Feres	.....	429/86
D363,767	S	*	10/1995	Swaim	.....	D23/260
D375,929	S	*	11/1996	Lujack et al.	.....	D12/197
D403,752	S	*	1/1999	Rademaker	.....	D23/260
D422,255	S	*	4/2000	Gonzales	.....	D12/197
6,062,263	A	*	5/2000	Donovan et al.	.....	138/89
D431,512	S	*	10/2000	Pink	.....	D12/197
D567,728	S	*	4/2008	Huston	.....	D12/197
D614,267	S	*	4/2010	Breda	.....	D23/261

(57) **CLAIM**  
What is claimed is a design of a vent cap, as shown and described.

**DESCRIPTION**

FIG. 1 is an isometric view of a first embodiment of a vent cap design of the present invention;

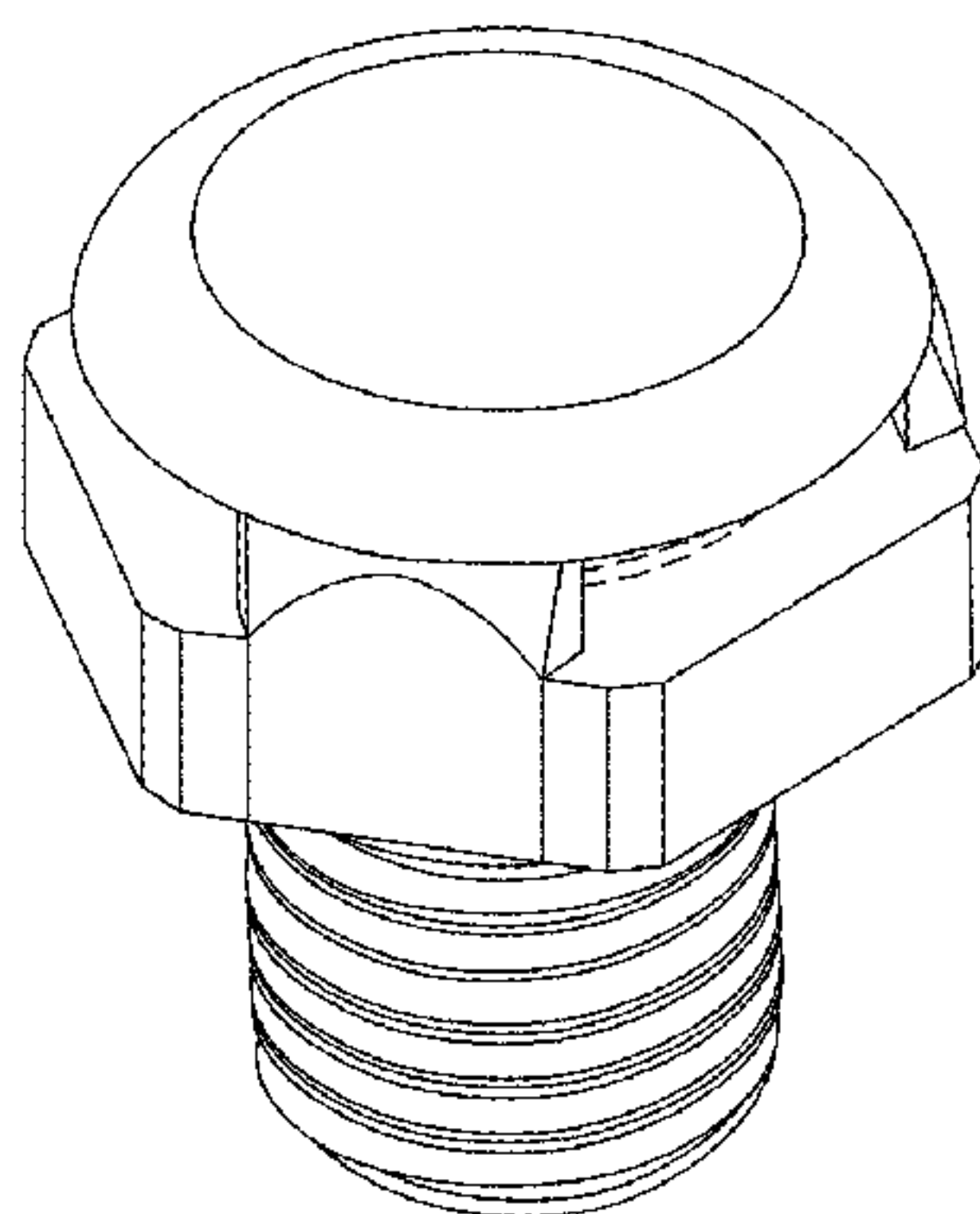


FIG. 2 is a side perspective view of the vent cap design of FIG. 1;  
FIG. 3 is a further side perspective view of the vent cap design of FIG. 1;  
FIG. 4 is a further side perspective view of the vent cap design of FIG. 1;  
FIG. 5 is a further side perspective view of the vent cap design of FIG. 1;  
FIG. 6 is a top view of the vent cap design of FIG. 1;  
FIG. 7 is a bottom view of the vent cap design of FIG. 1;  
FIG. 8 is an isometric view of a second embodiment of a vent cap design of the present invention;  
FIG. 9 is a side perspective view of the vent cap design of FIG. 8;  
FIG. 10 is a further side perspective view of the vent cap design of FIG. 8;  
FIG. 11 is a further side perspective view of the vent cap design of FIG. 8;  
FIG. 12 is a further side perspective view of the vent cap design of FIG. 8;  
FIG. 13 is a top view of the vent cap design of FIG. 8;  
FIG. 14 is a bottom view of the vent cap design of FIG. 8;  
FIG. 15 is an isometric view of a third embodiment of a vent cap design of the present invention;

FIG. 16 is a side perspective view of the vent cap design of FIG. 15;  
FIG. 17 is a further side perspective view of the vent cap design of FIG. 15;  
FIG. 18 is a further side perspective view of the vent cap design of FIG. 15;  
FIG. 19 is a further side perspective view of the vent cap design of FIG. 15;  
FIG. 20 is a top view of the vent cap design of FIG. 15;  
FIG. 21 is a bottom view of the vent cap design of FIG. 15;  
FIG. 22 is an isometric view of a third embodiment of a vent cap design of the present invention;  
FIG. 23 is a side perspective view of the vent cap design of FIG. 22;  
FIG. 24 is a further side perspective view of the vent cap design of FIG. 22;  
FIG. 25 is a further side perspective view of the vent cap design of FIG. 22;  
FIG. 26 is a further side perspective view of the vent cap design of FIG. 22;  
FIG. 27 is a top view of the vent cap design of FIG. 22; and,  
FIG. 28 is a bottom view of the vent cap design of FIG. 22.  
Broken lines in the Figures form no part of the claimed design.

**1 Claim, 28 Drawing Sheets**

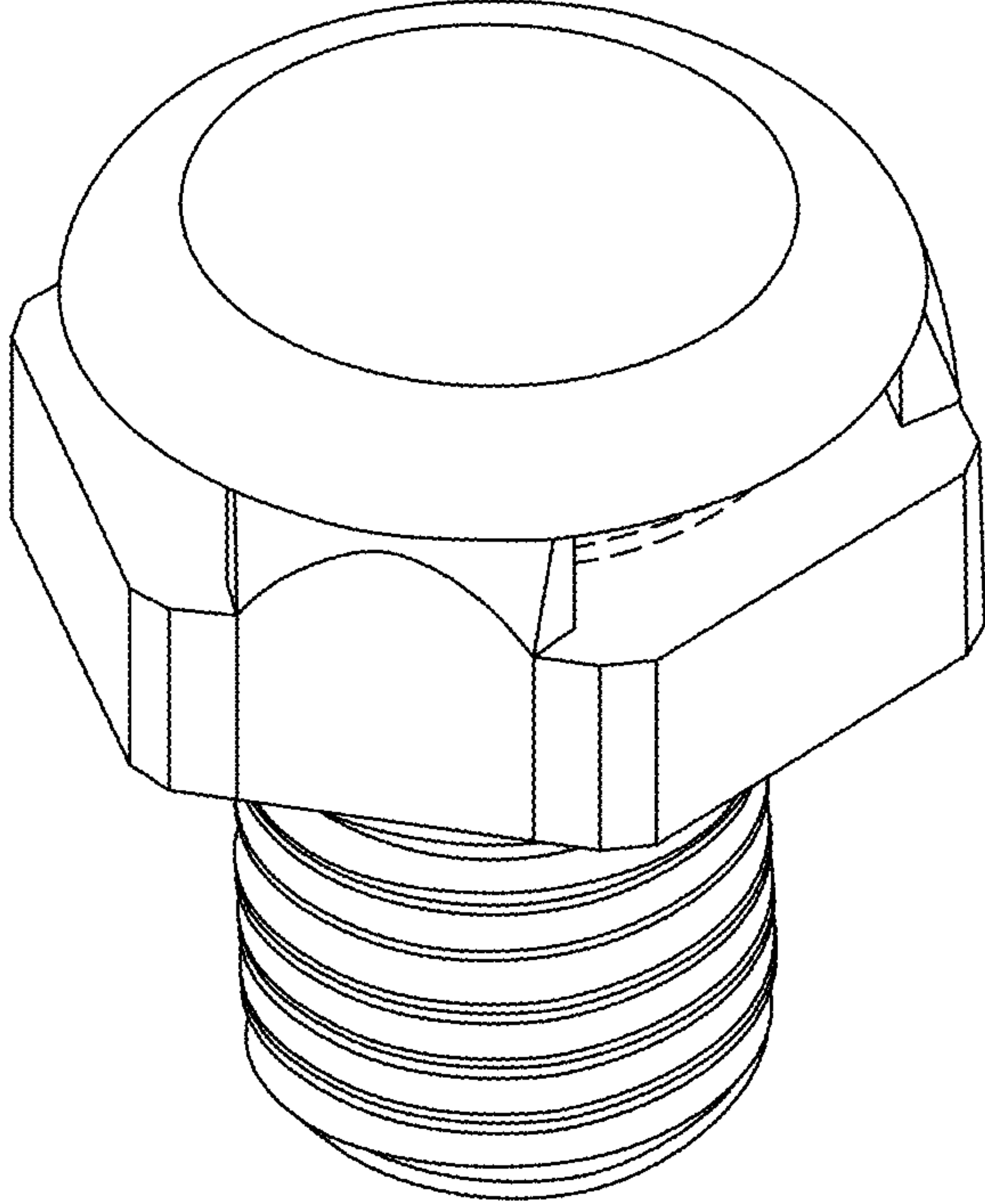


FIG. 1

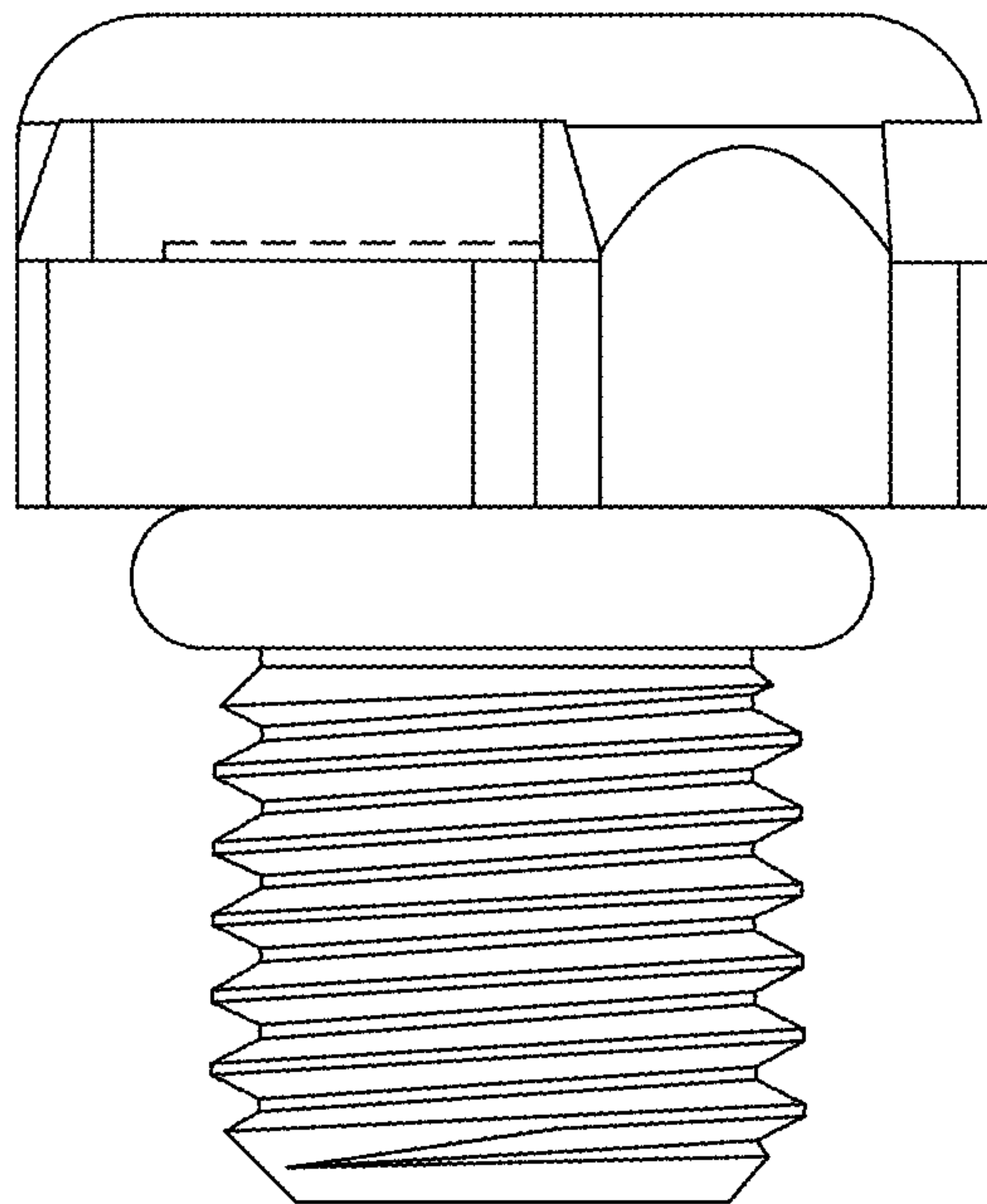


FIG. 2

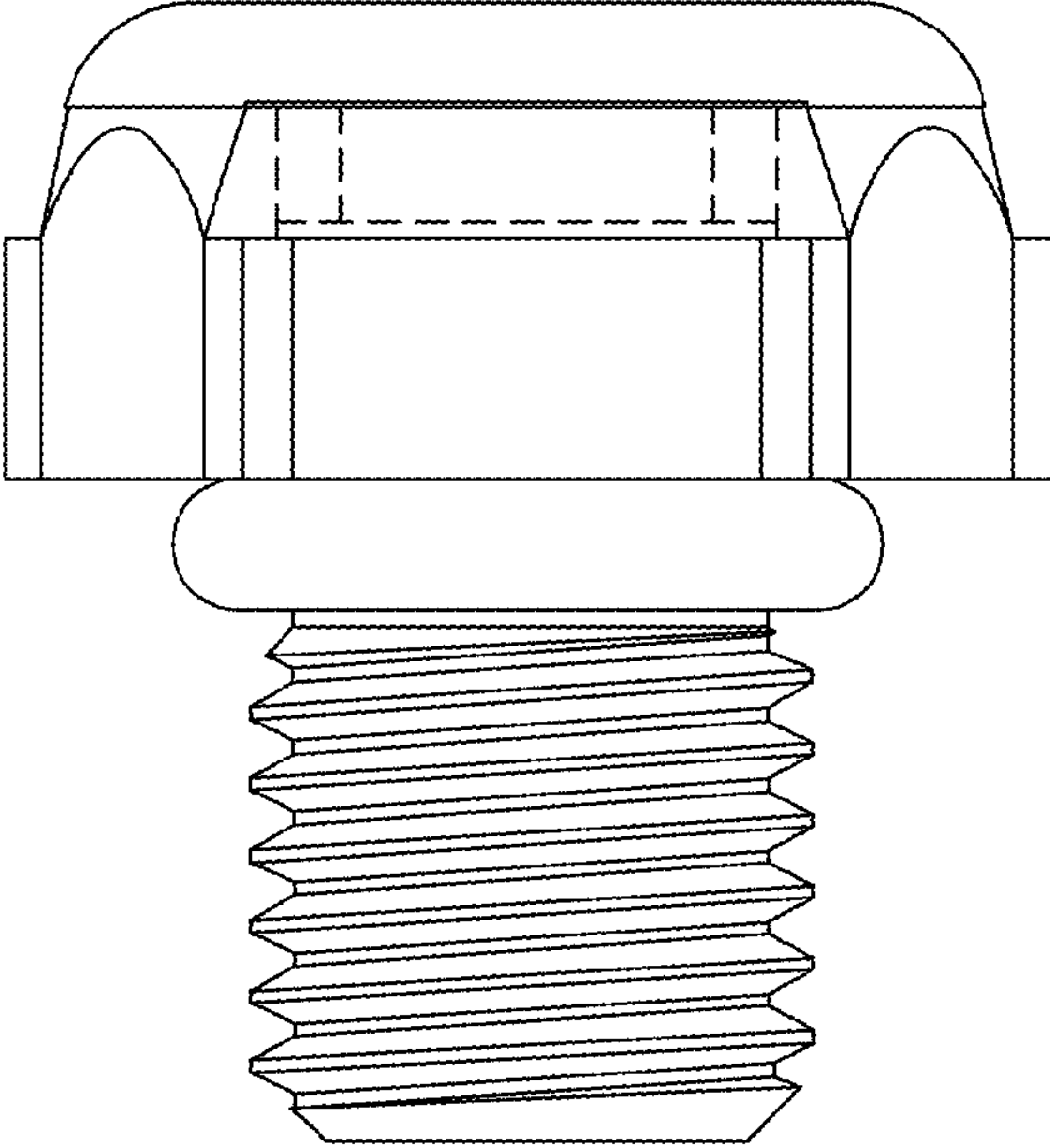


FIG. 3



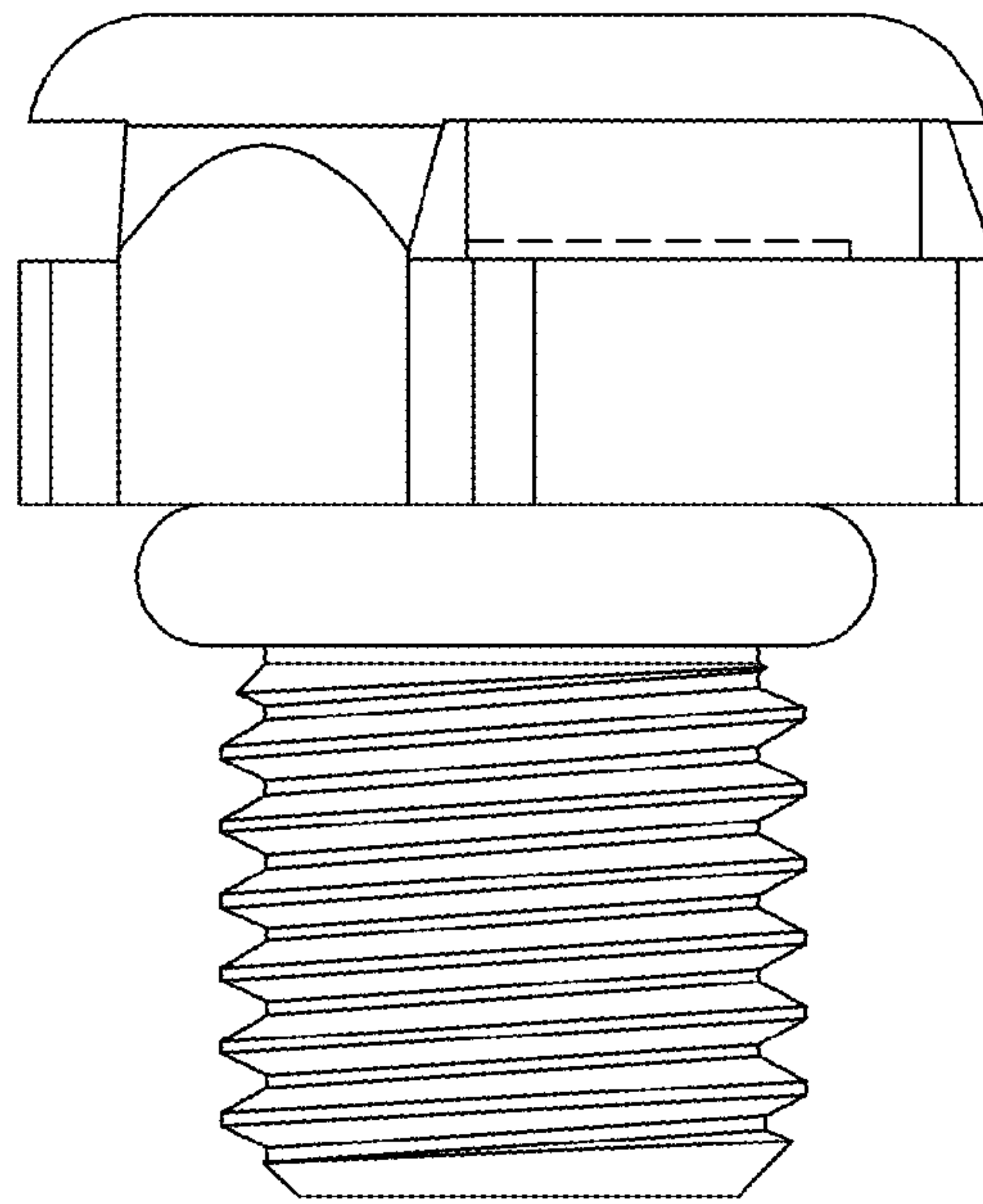


FIG. 4

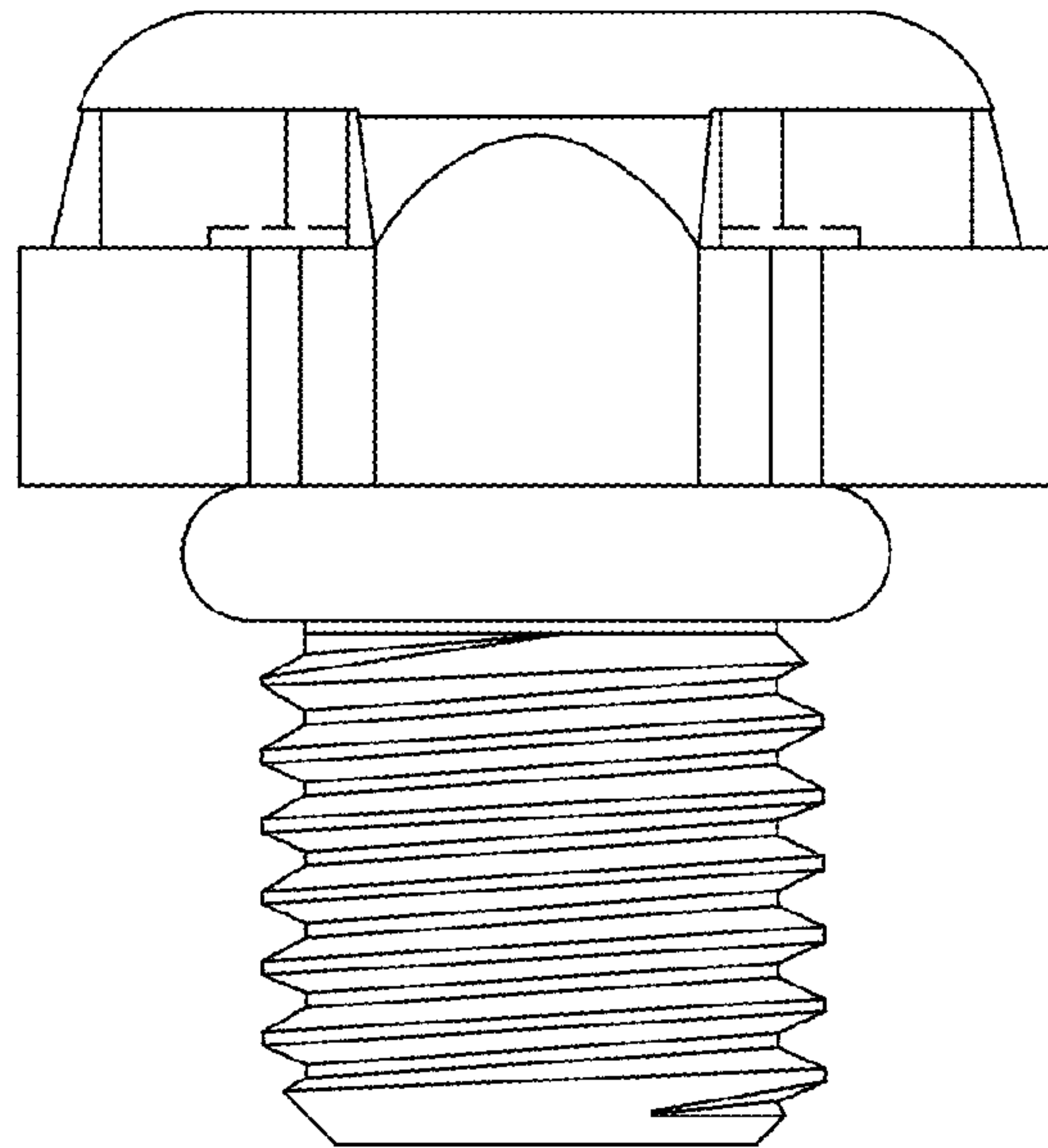


FIG. 5

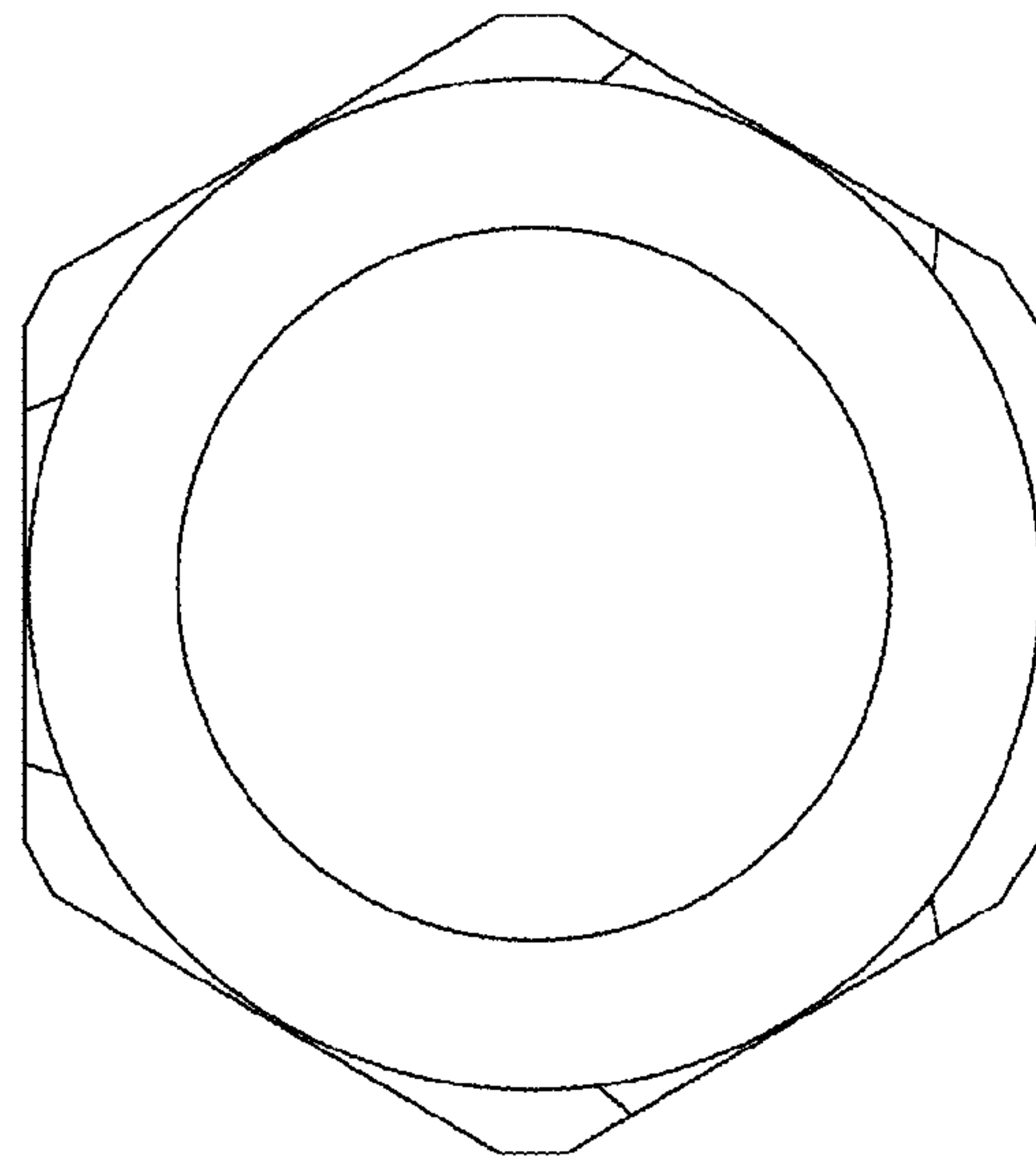


FIG. 6



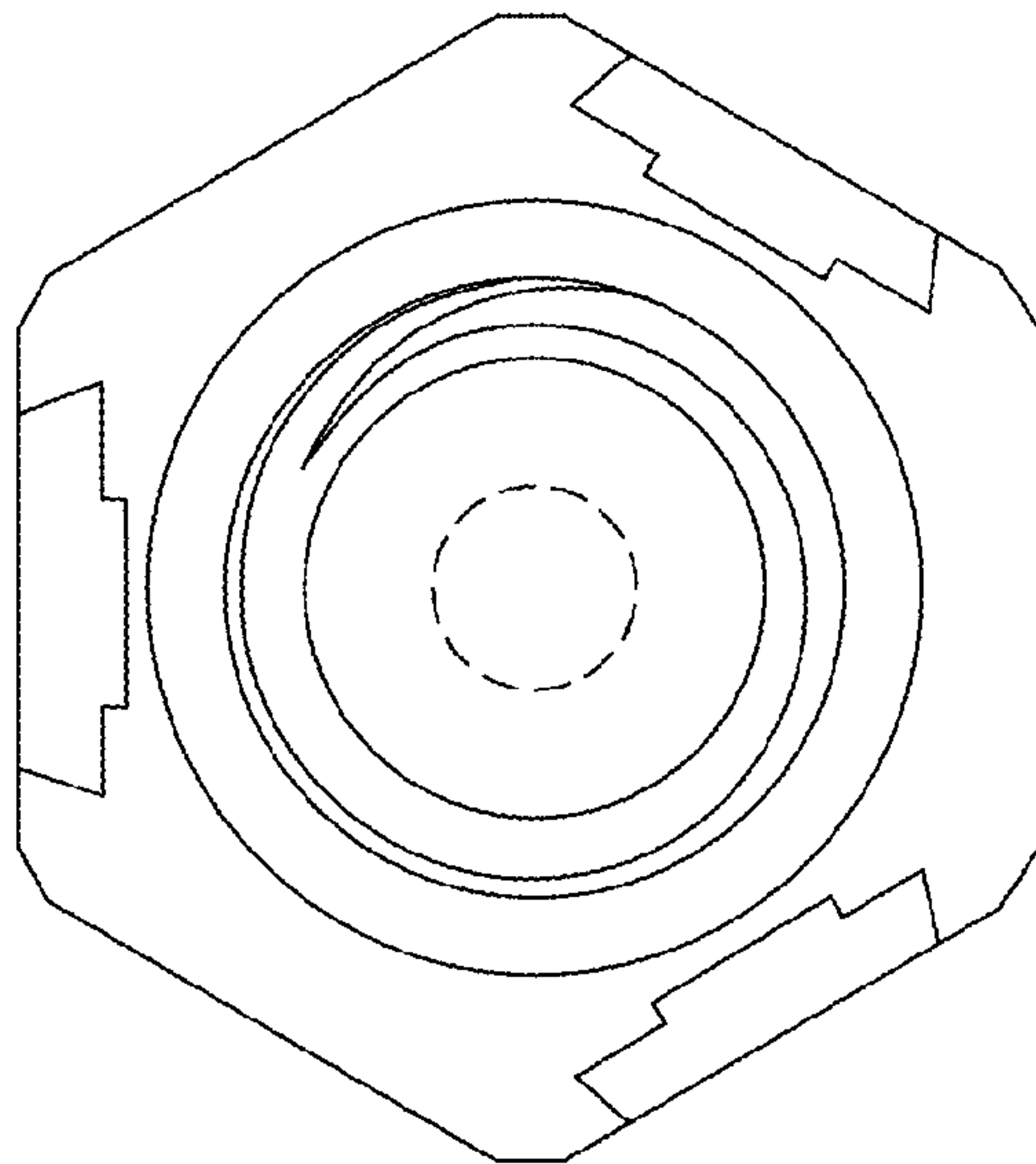


FIG. 7

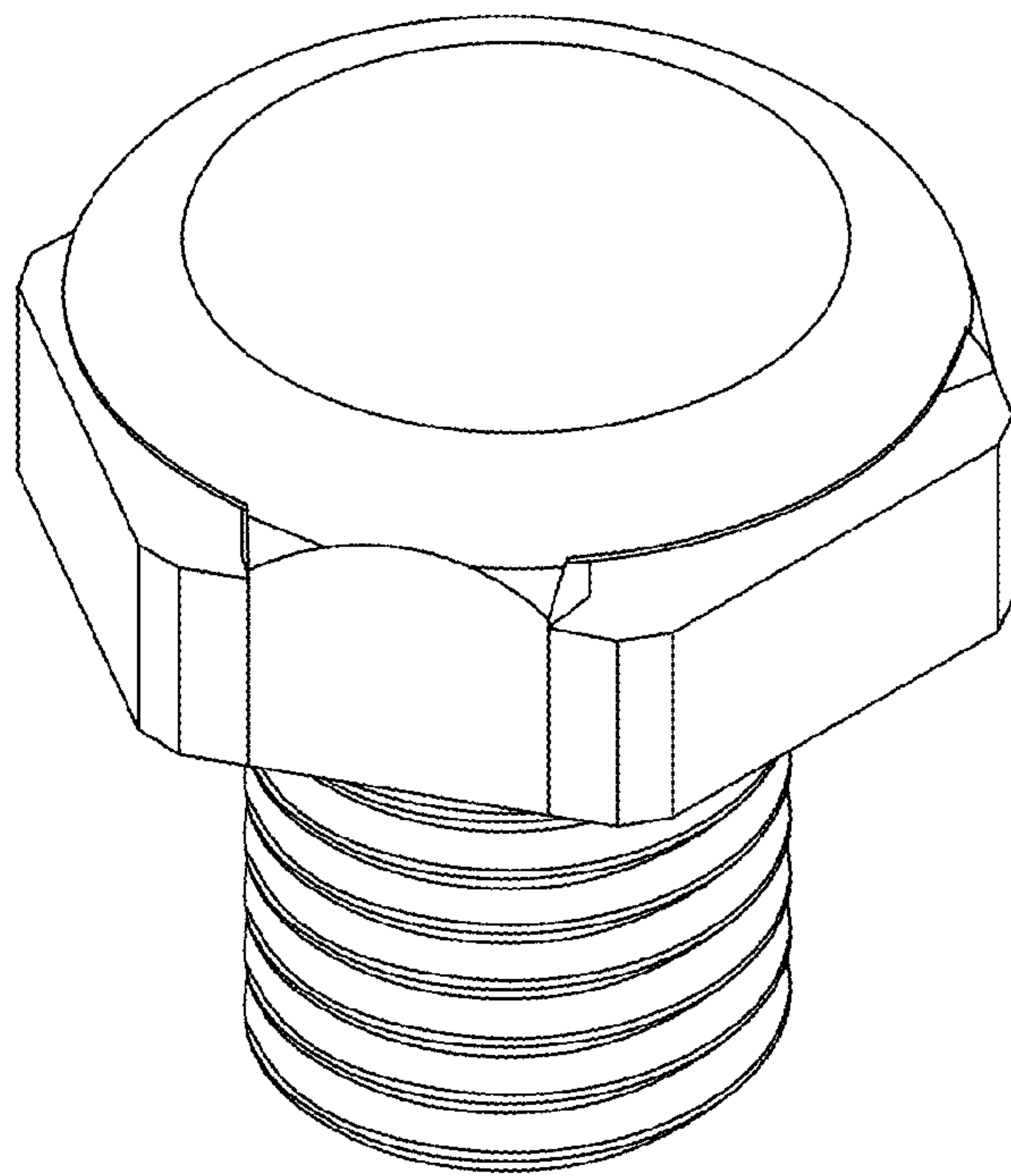


FIG. 8

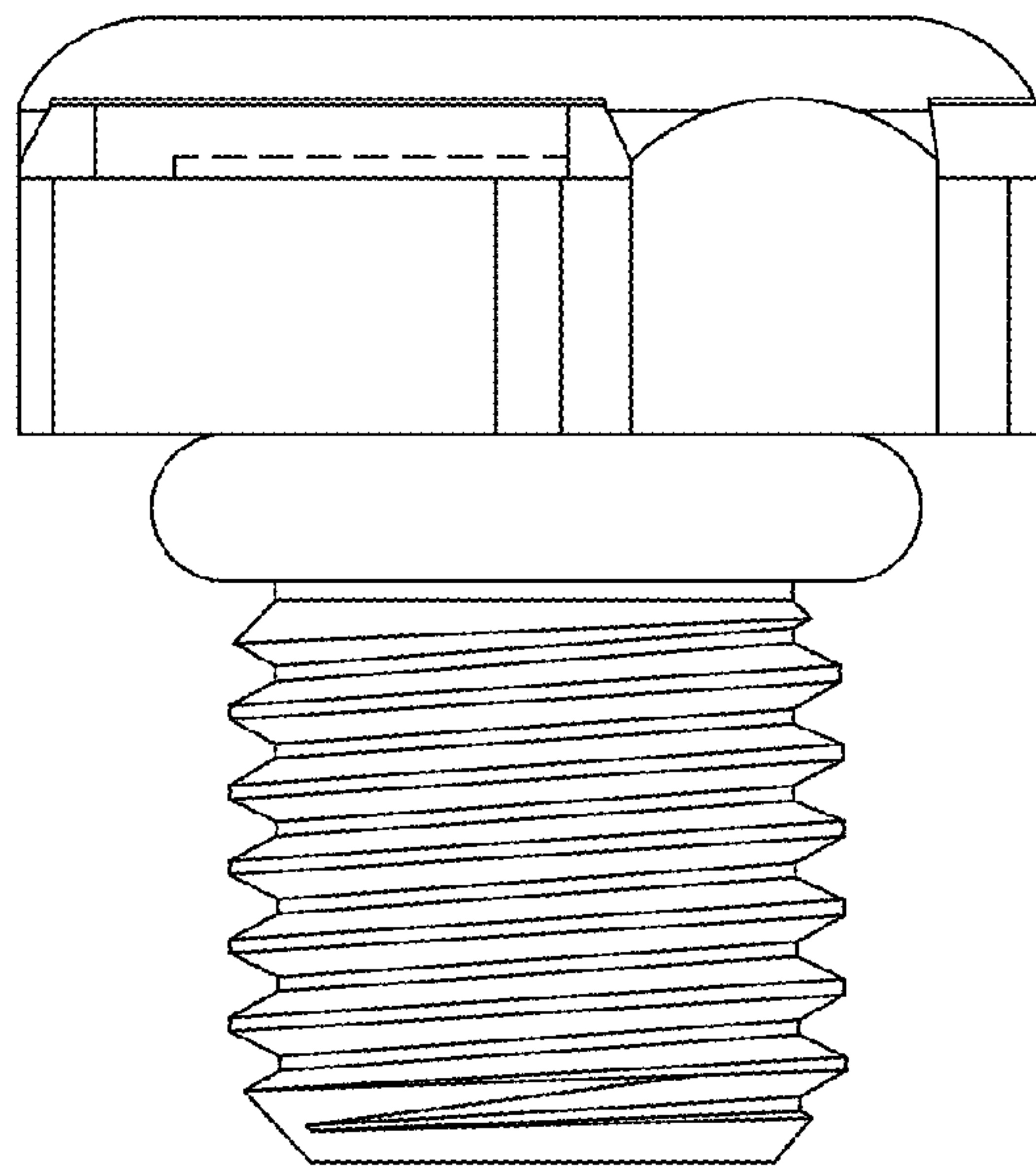


FIG. 9

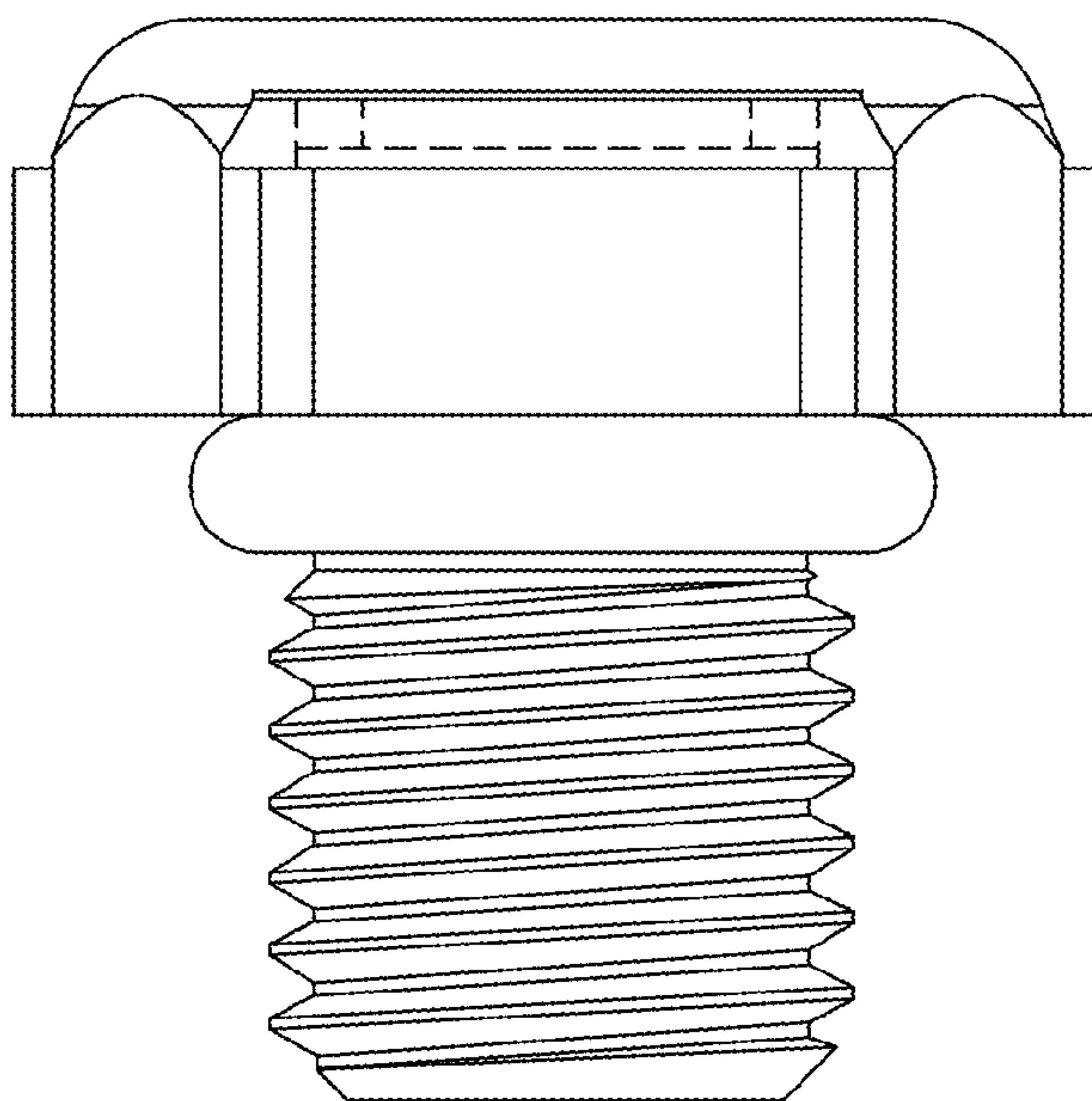


FIG. 10

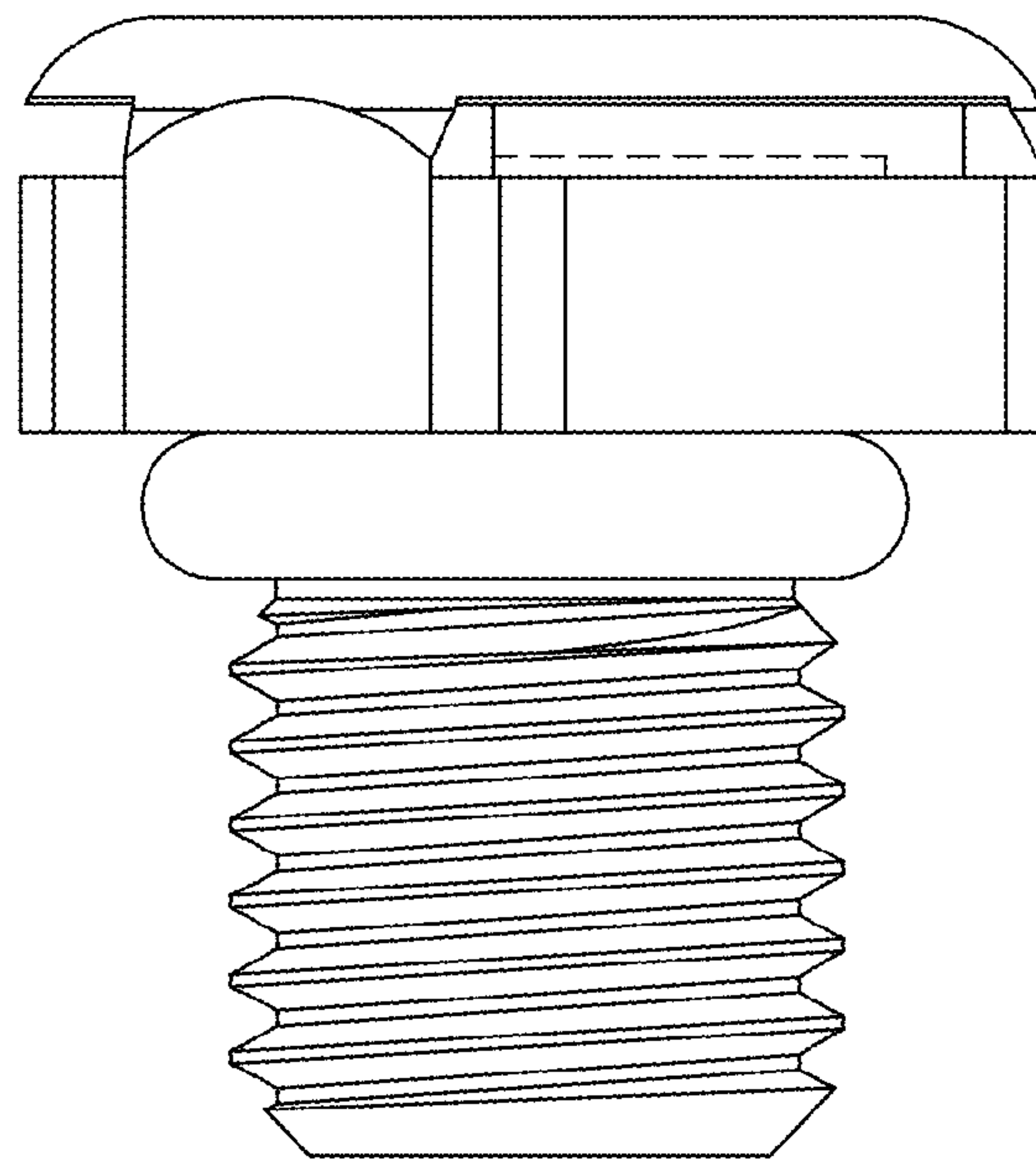


FIG. 11

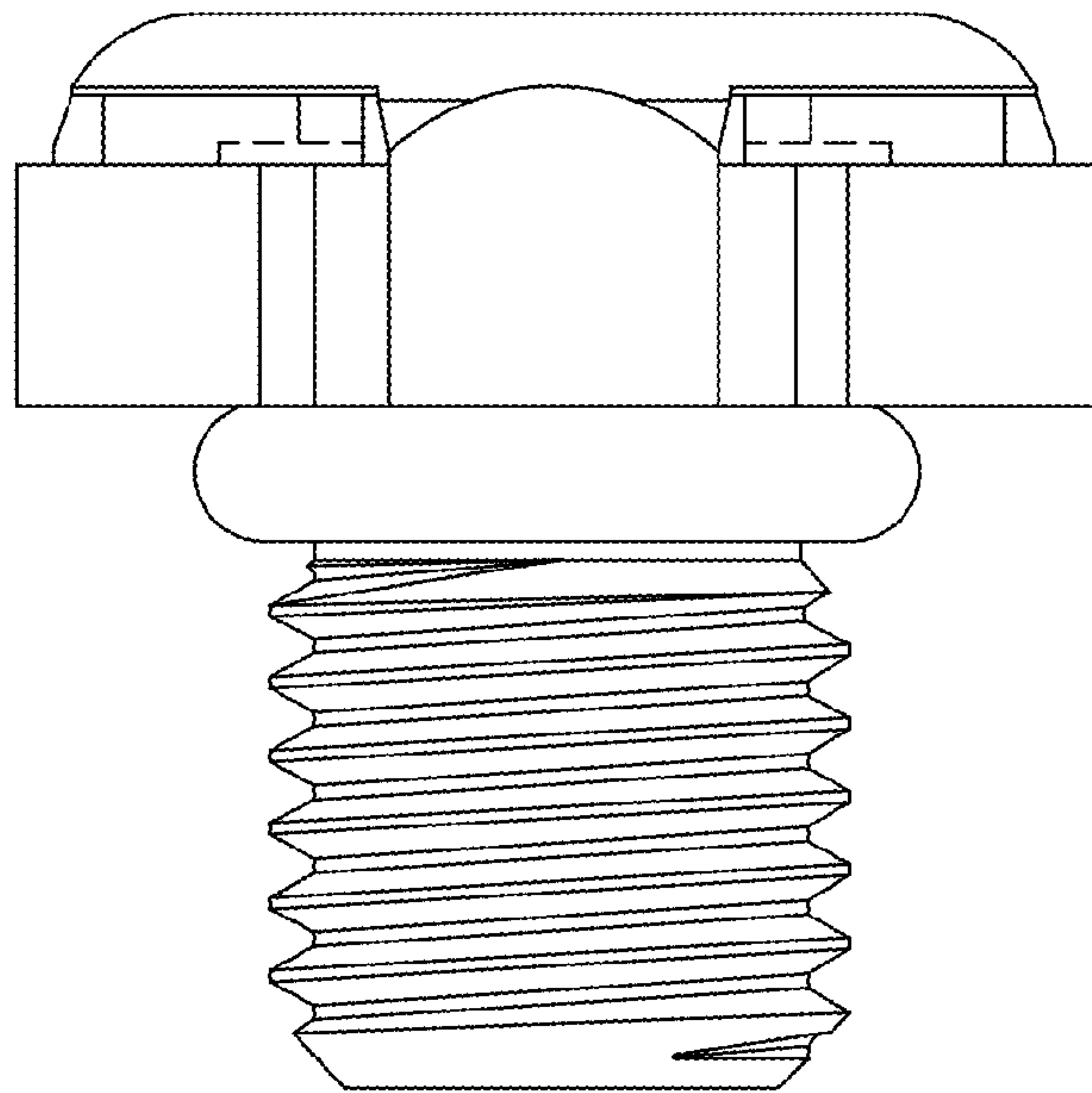


FIG. 12



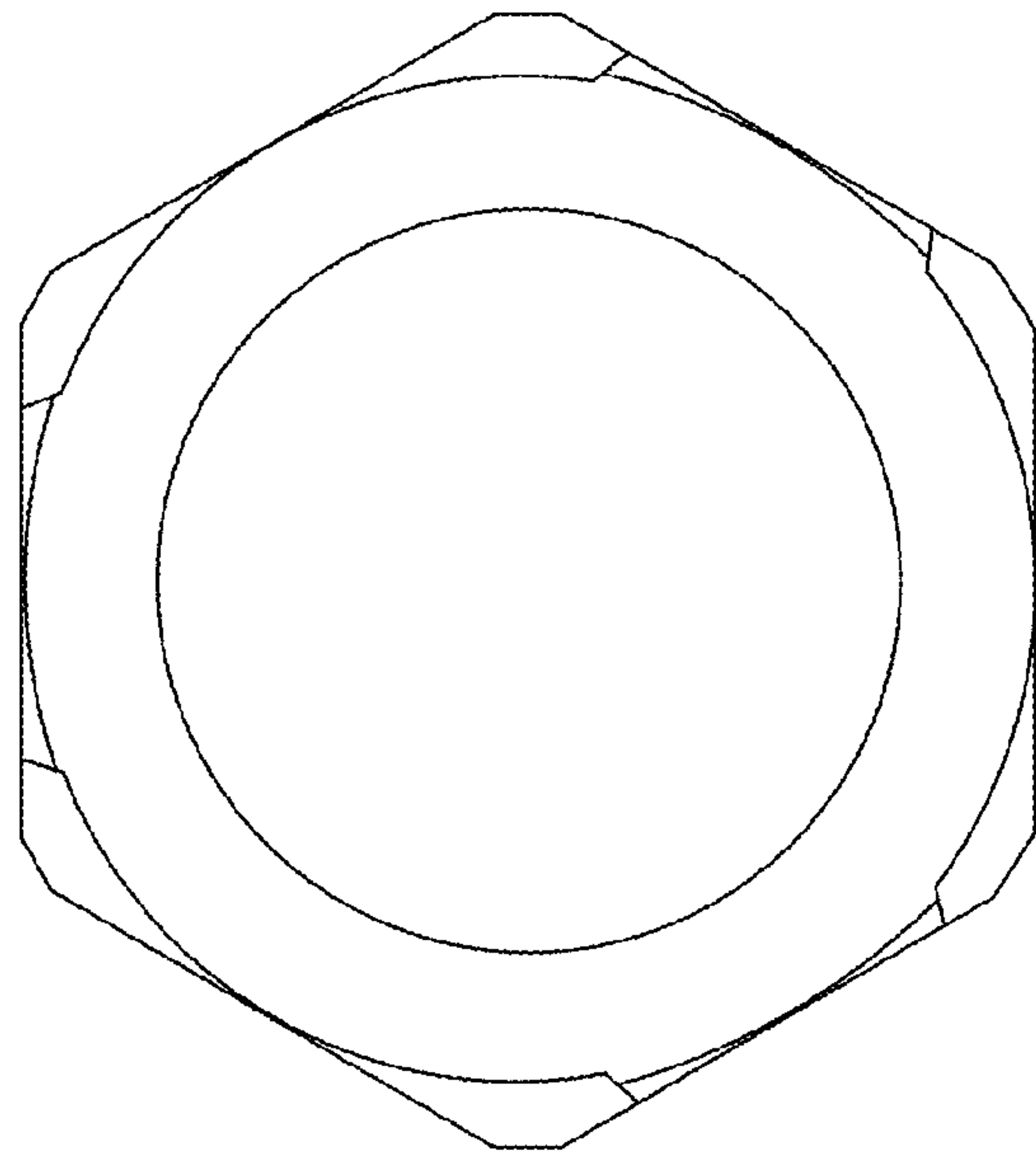


FIG. 13

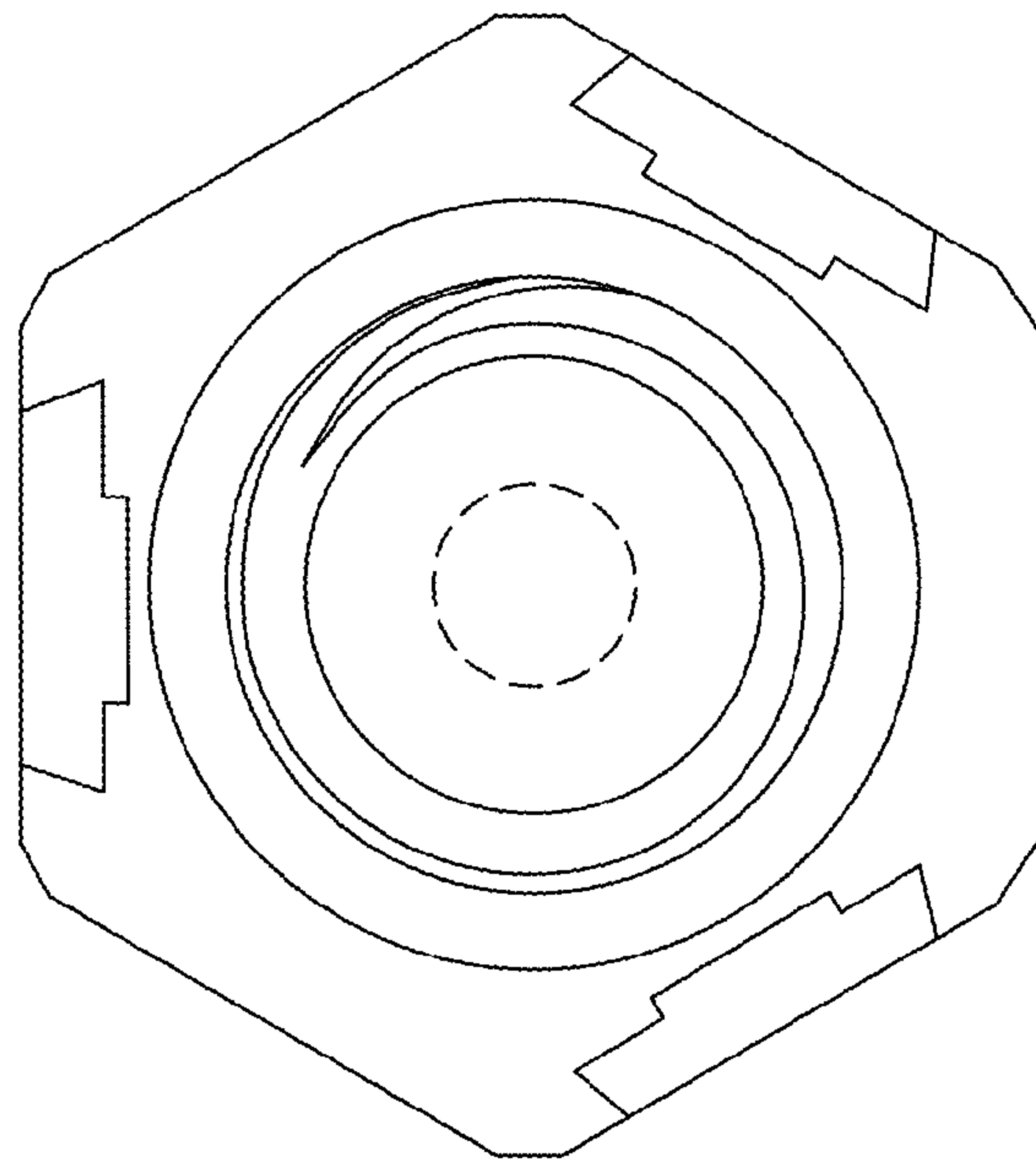


FIG. 14

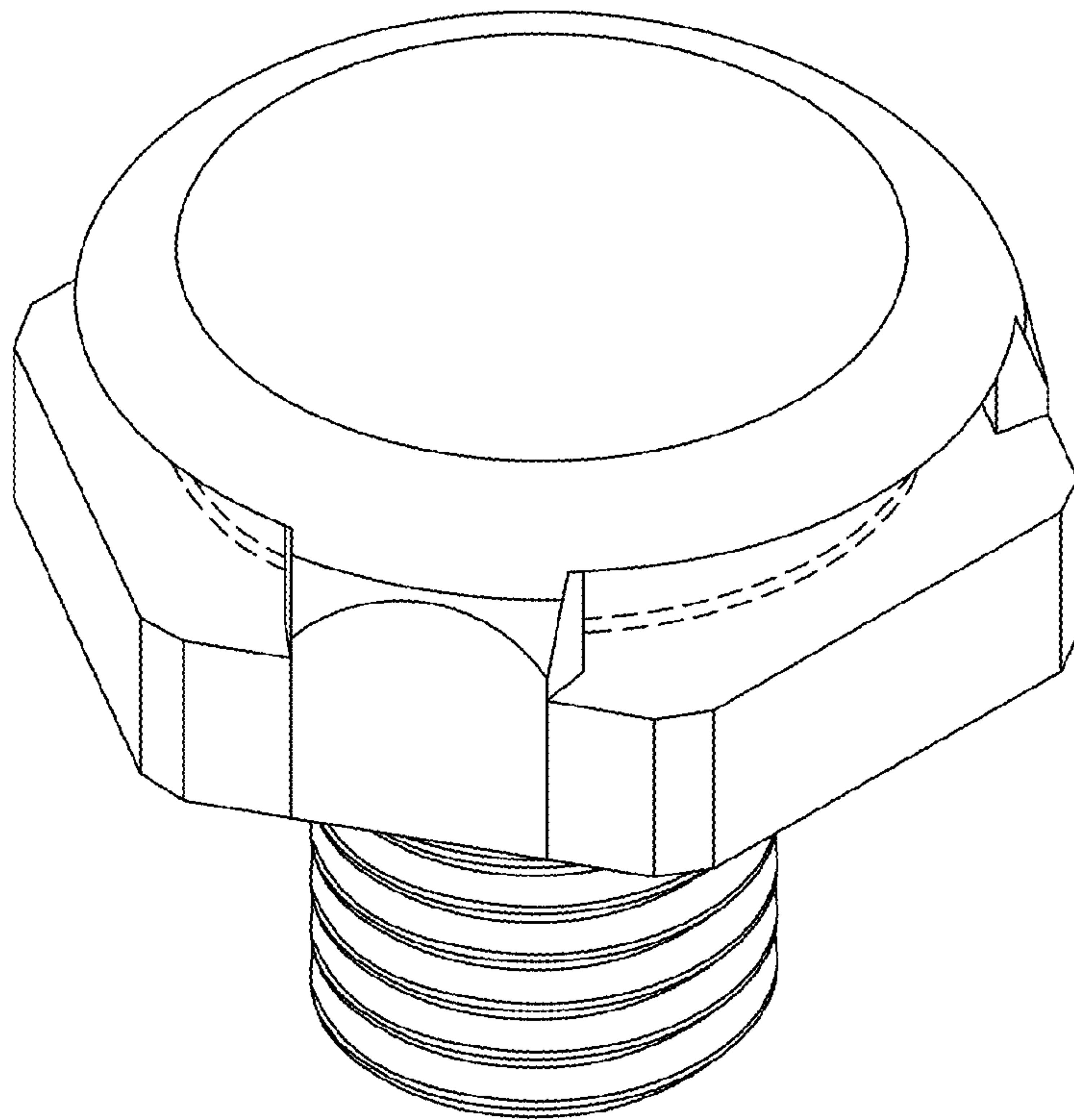


FIG. 15

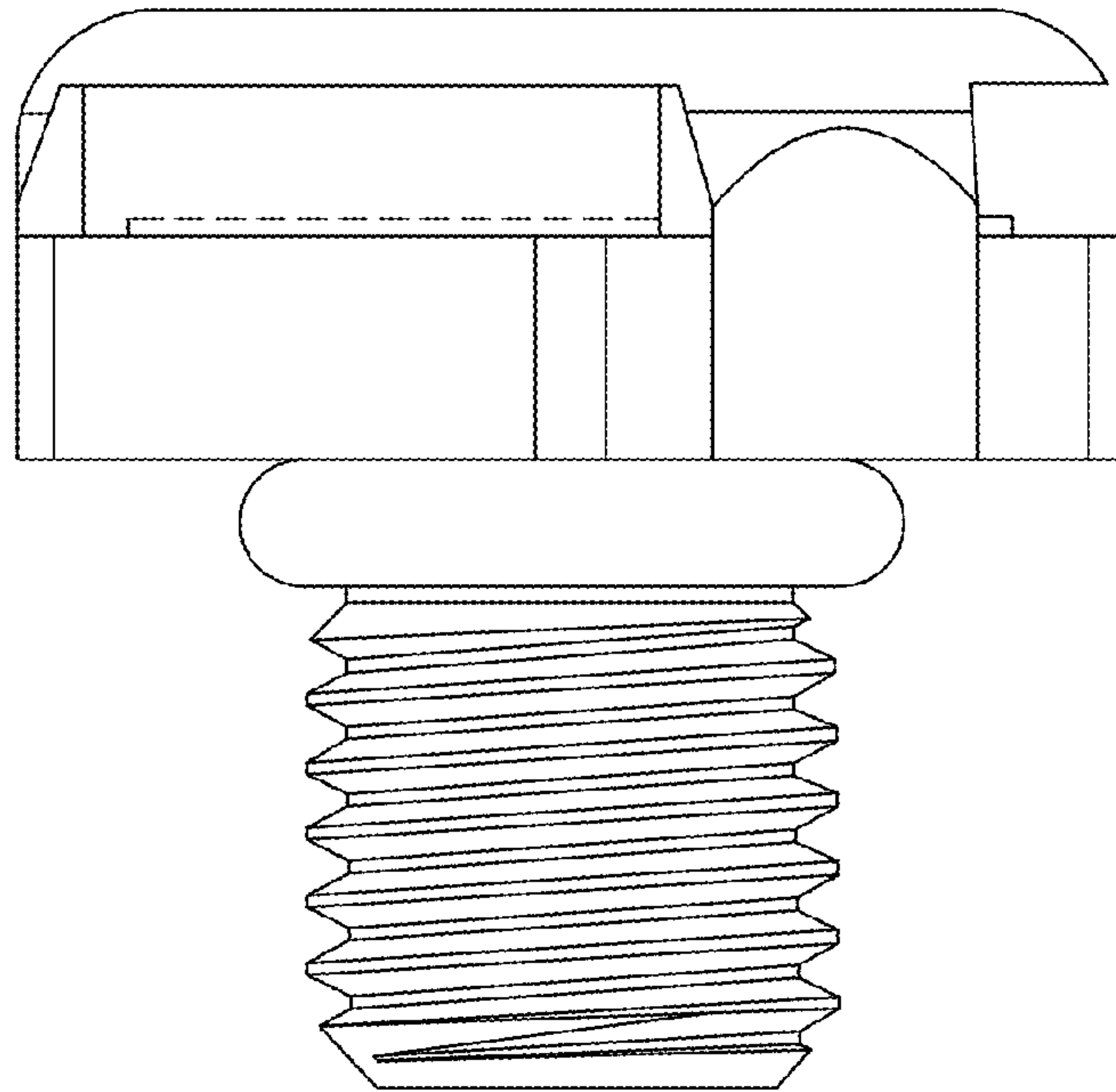


FIG. 16

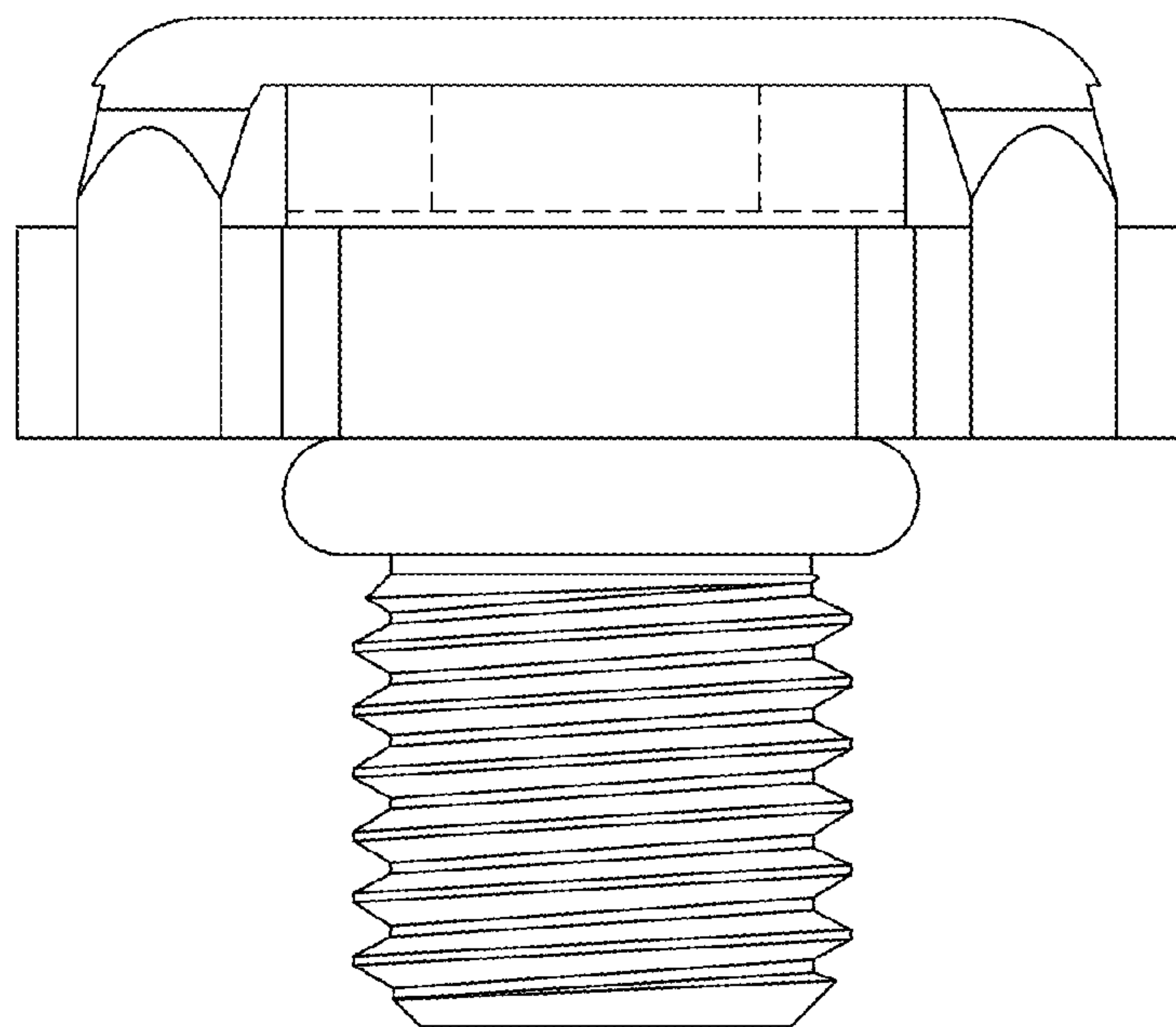


FIG. 17

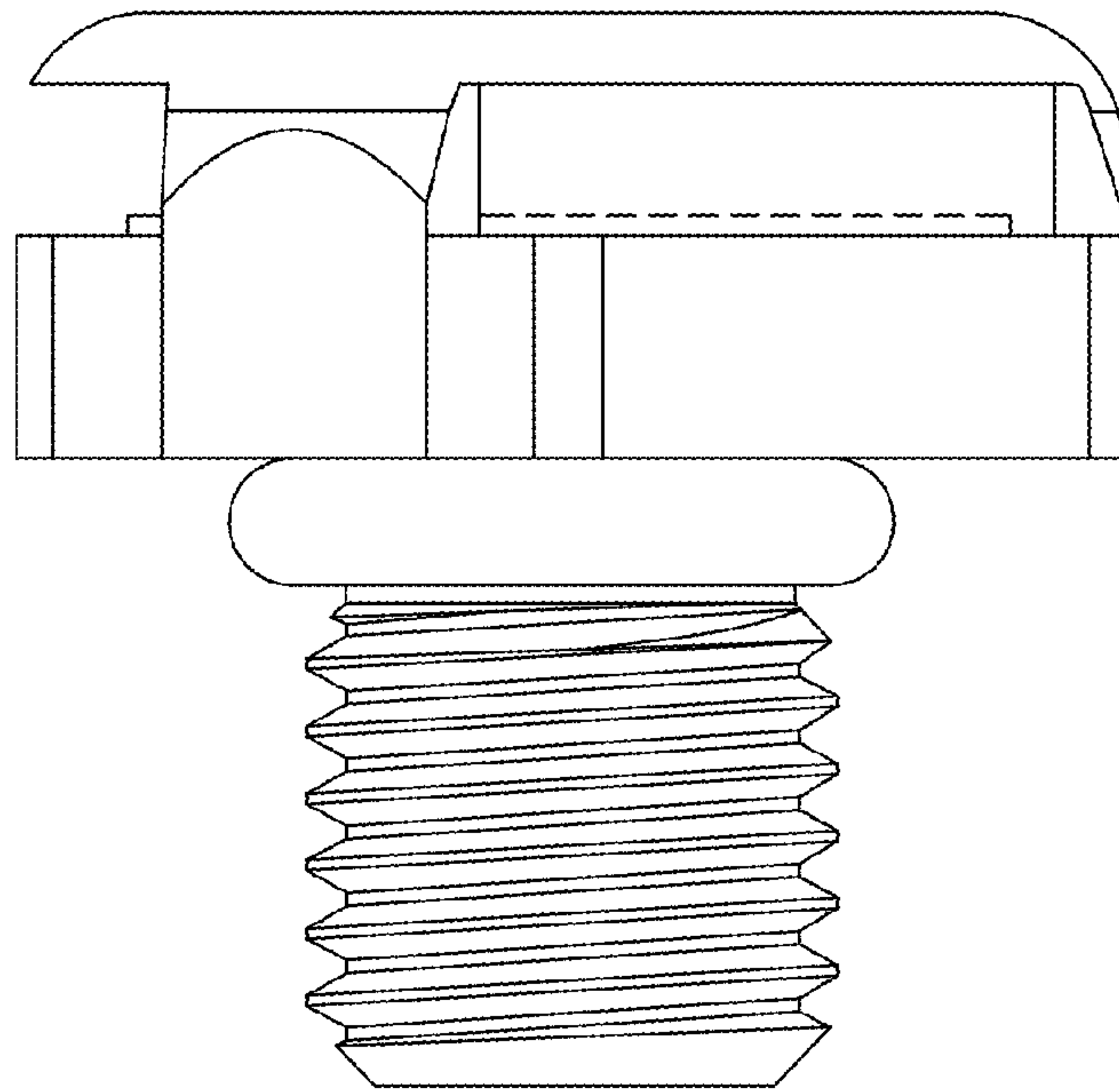


FIG. 18



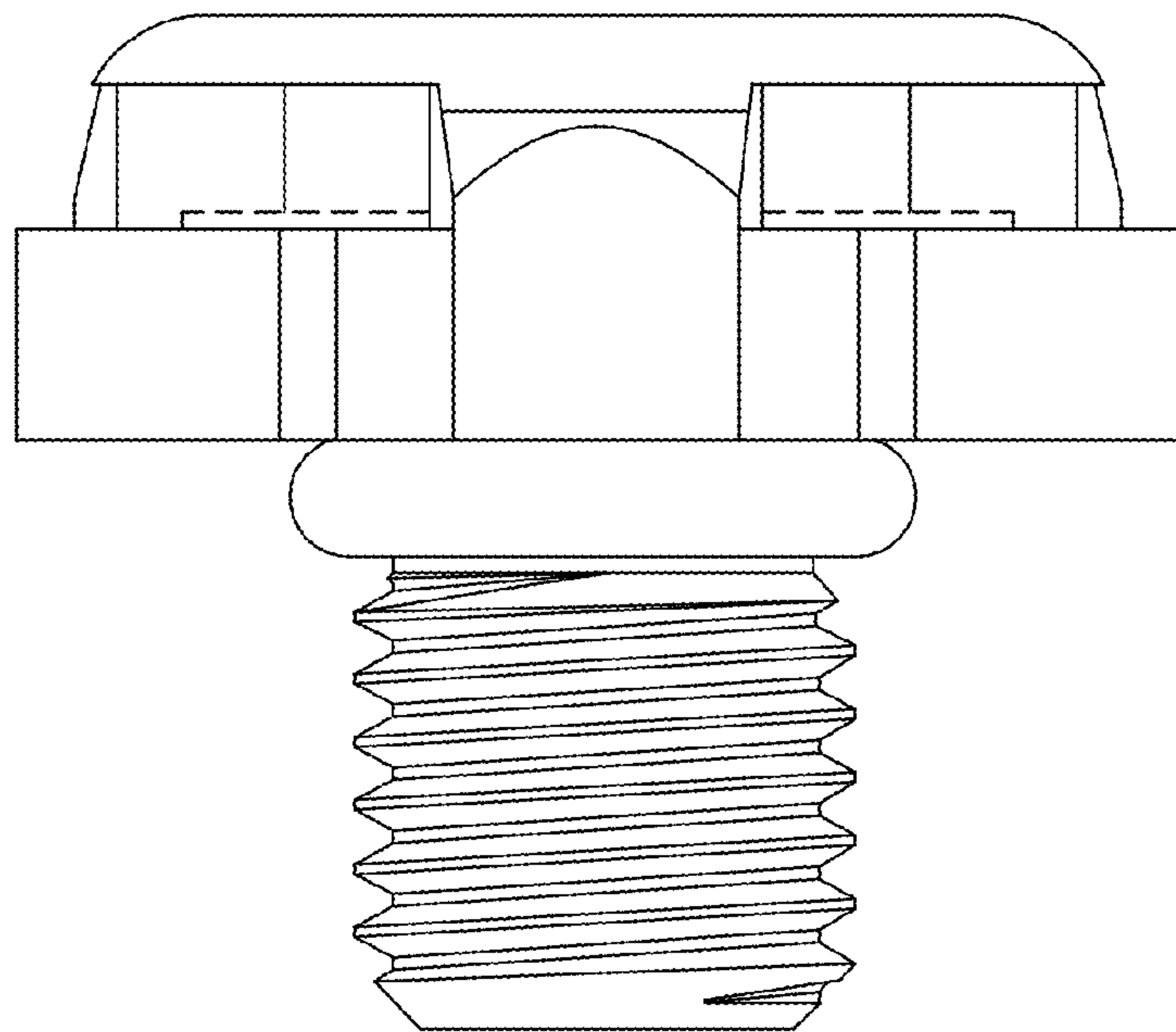


FIG. 19

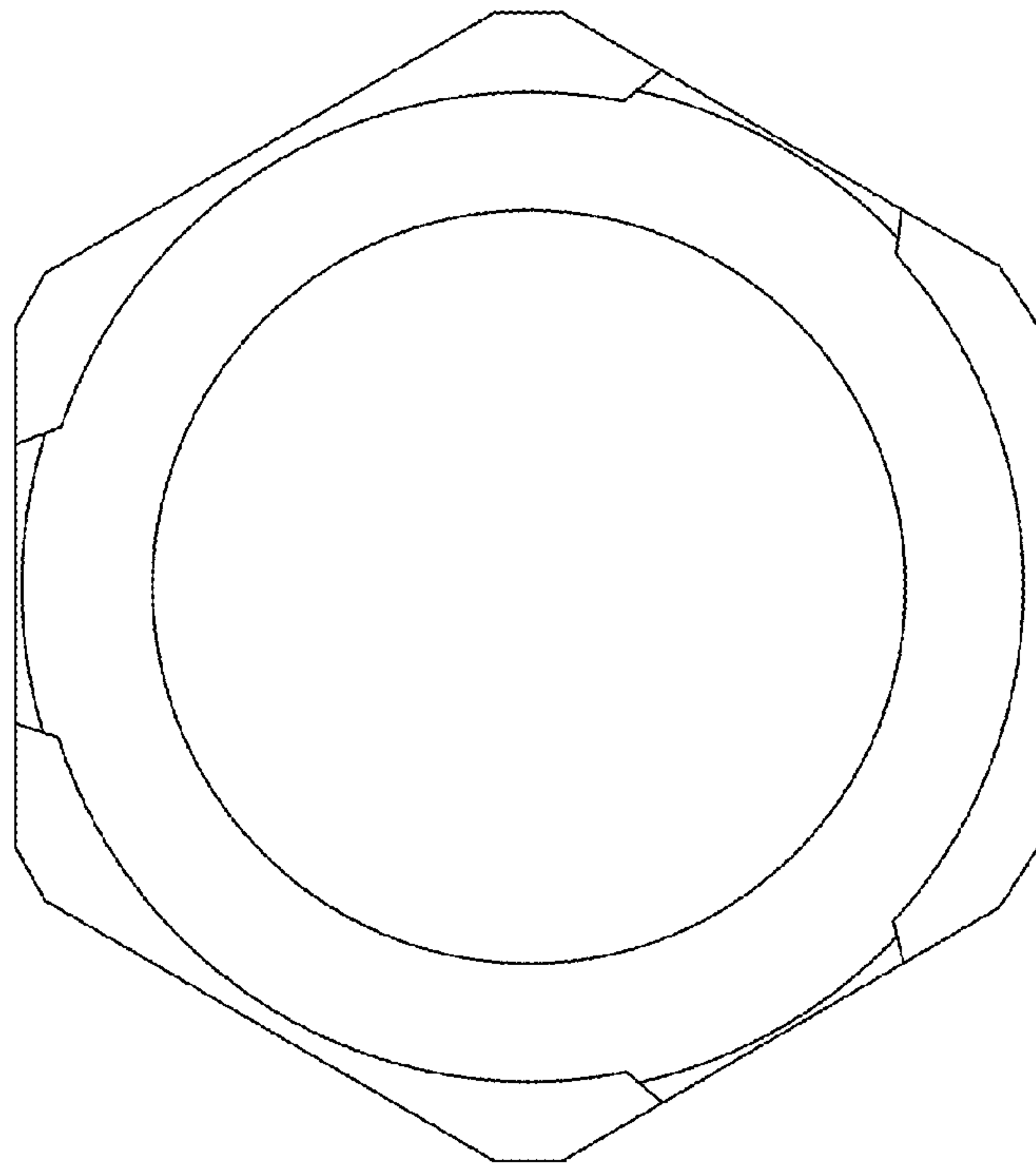


FIG. 20

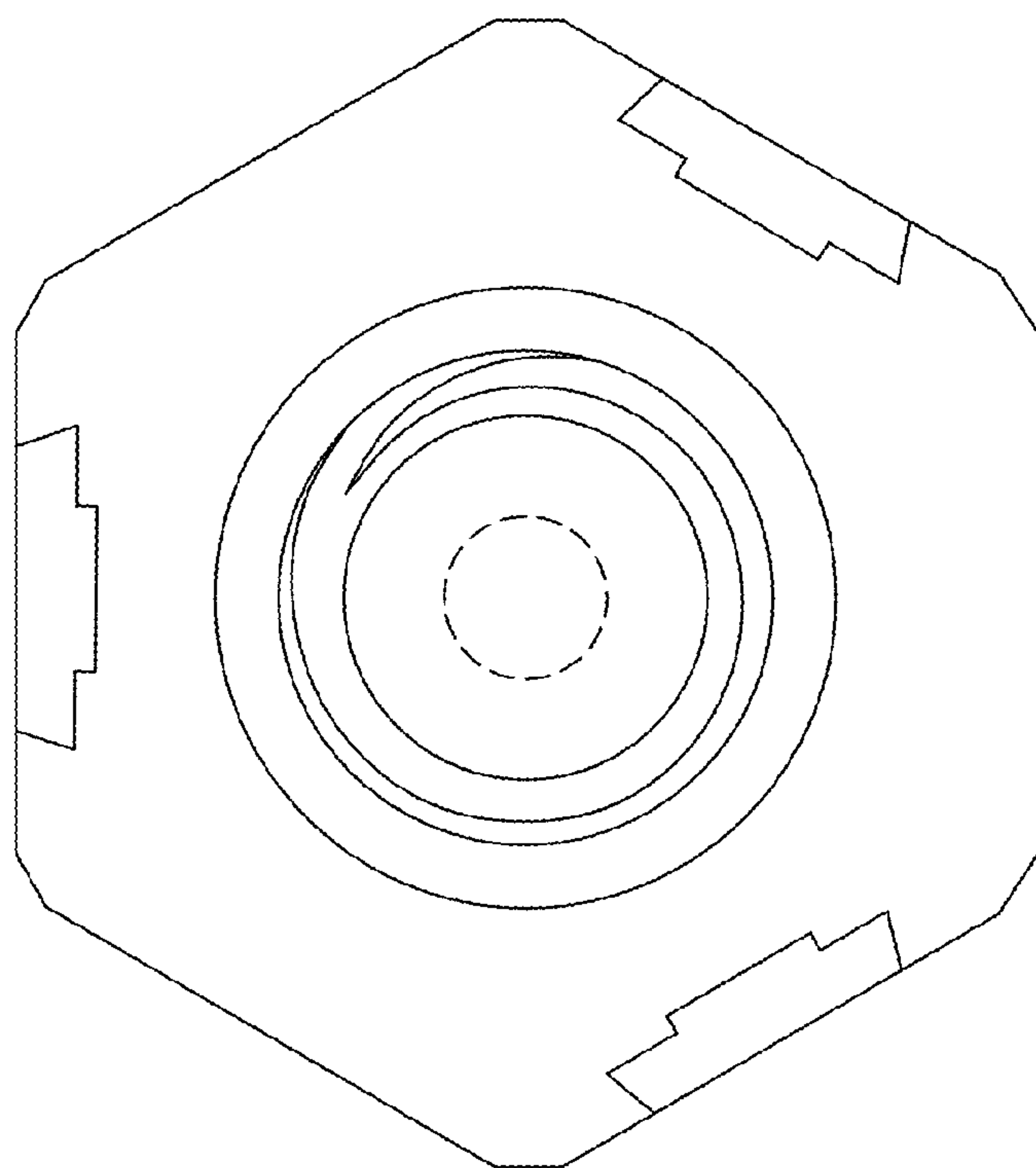


FIG. 21

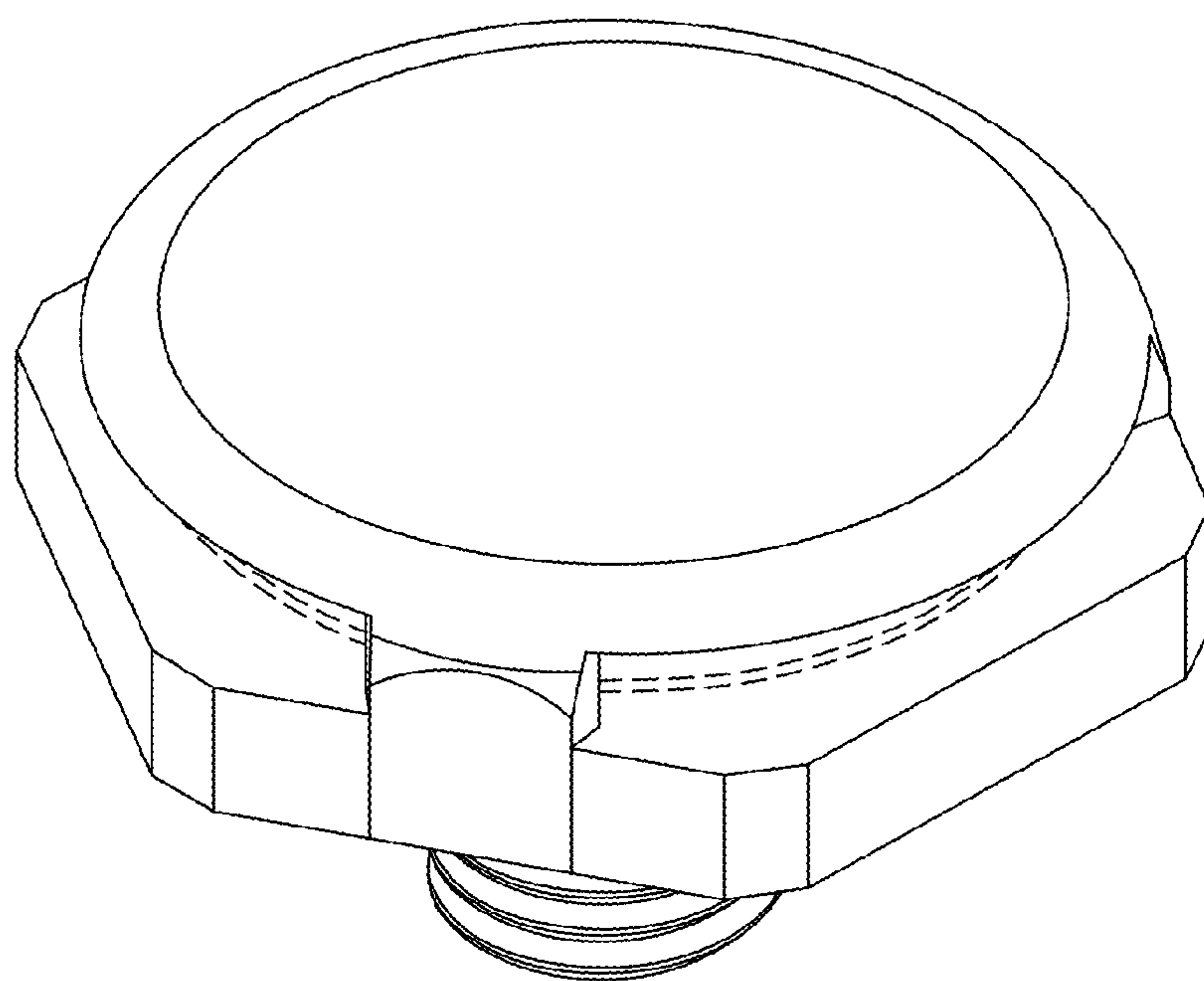


FIG. 22

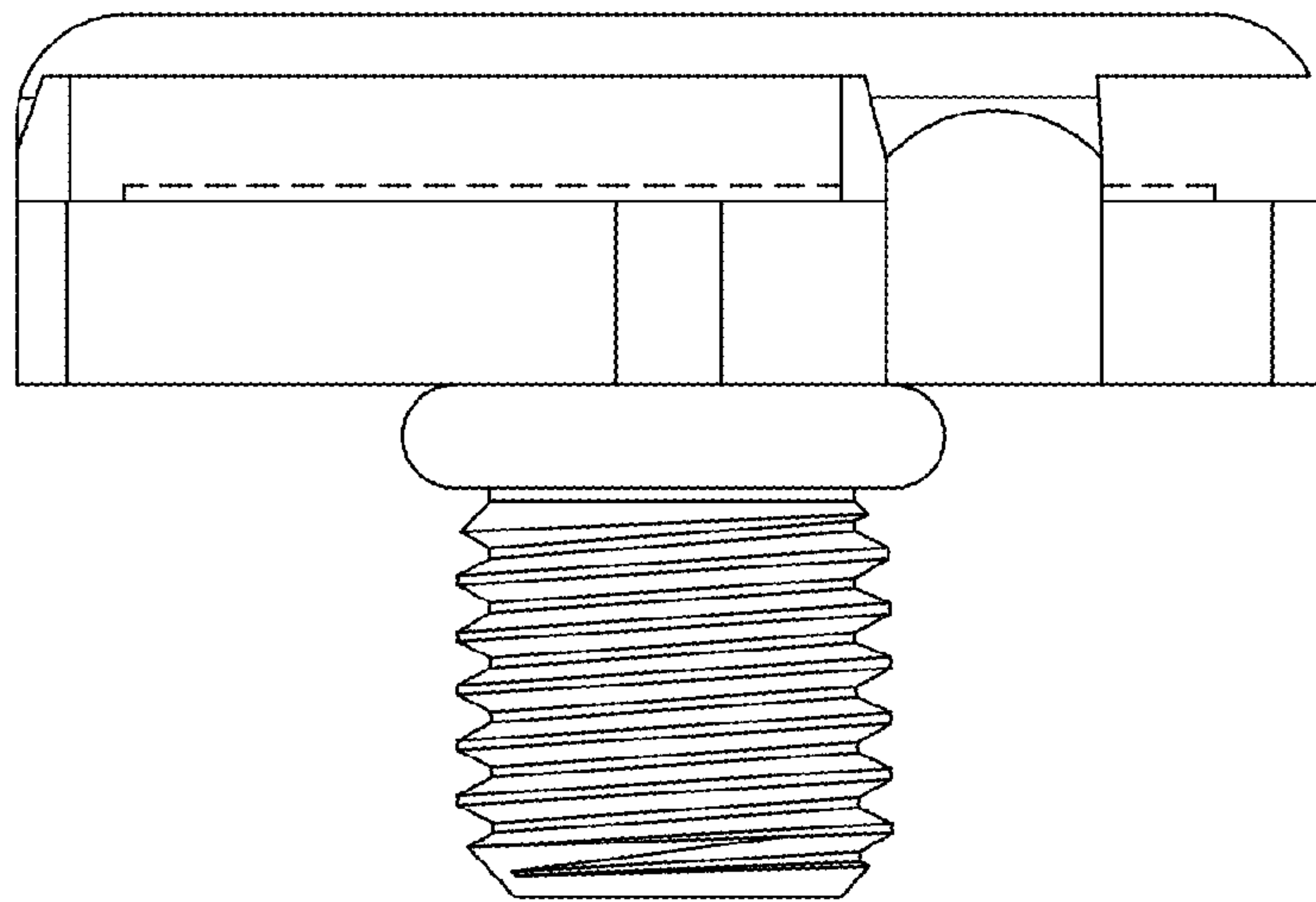


FIG. 23

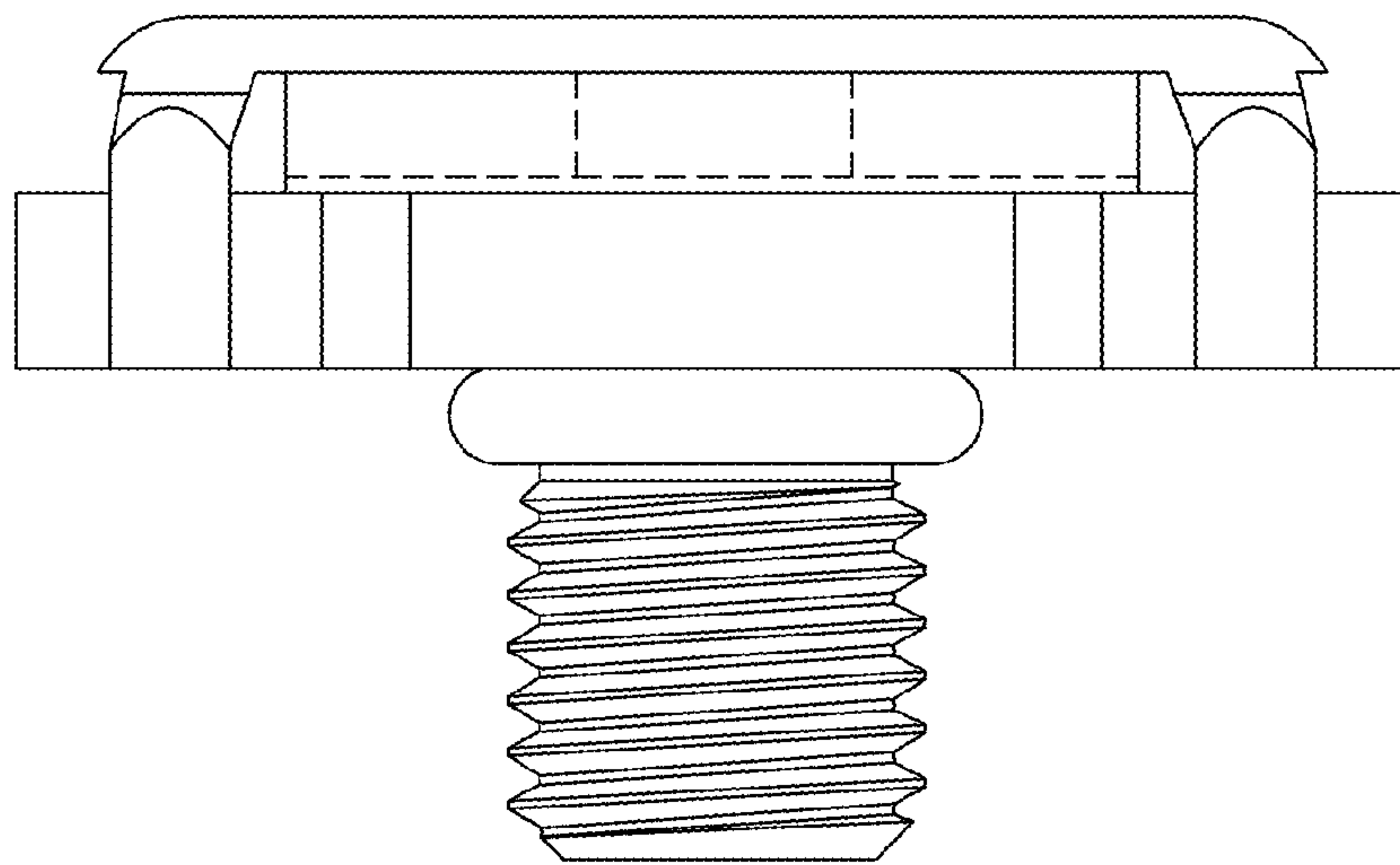


FIG. 24



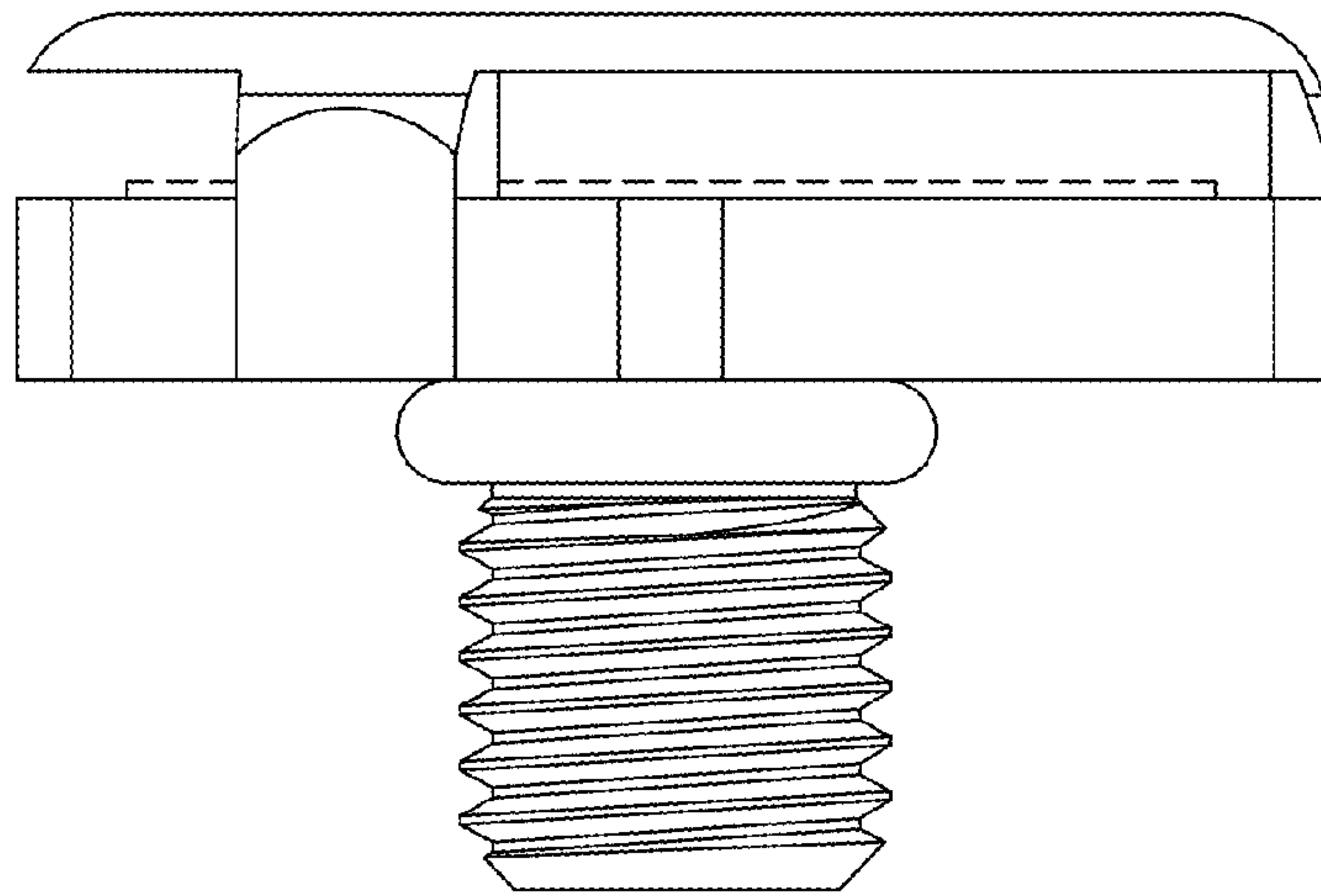


FIG. 25

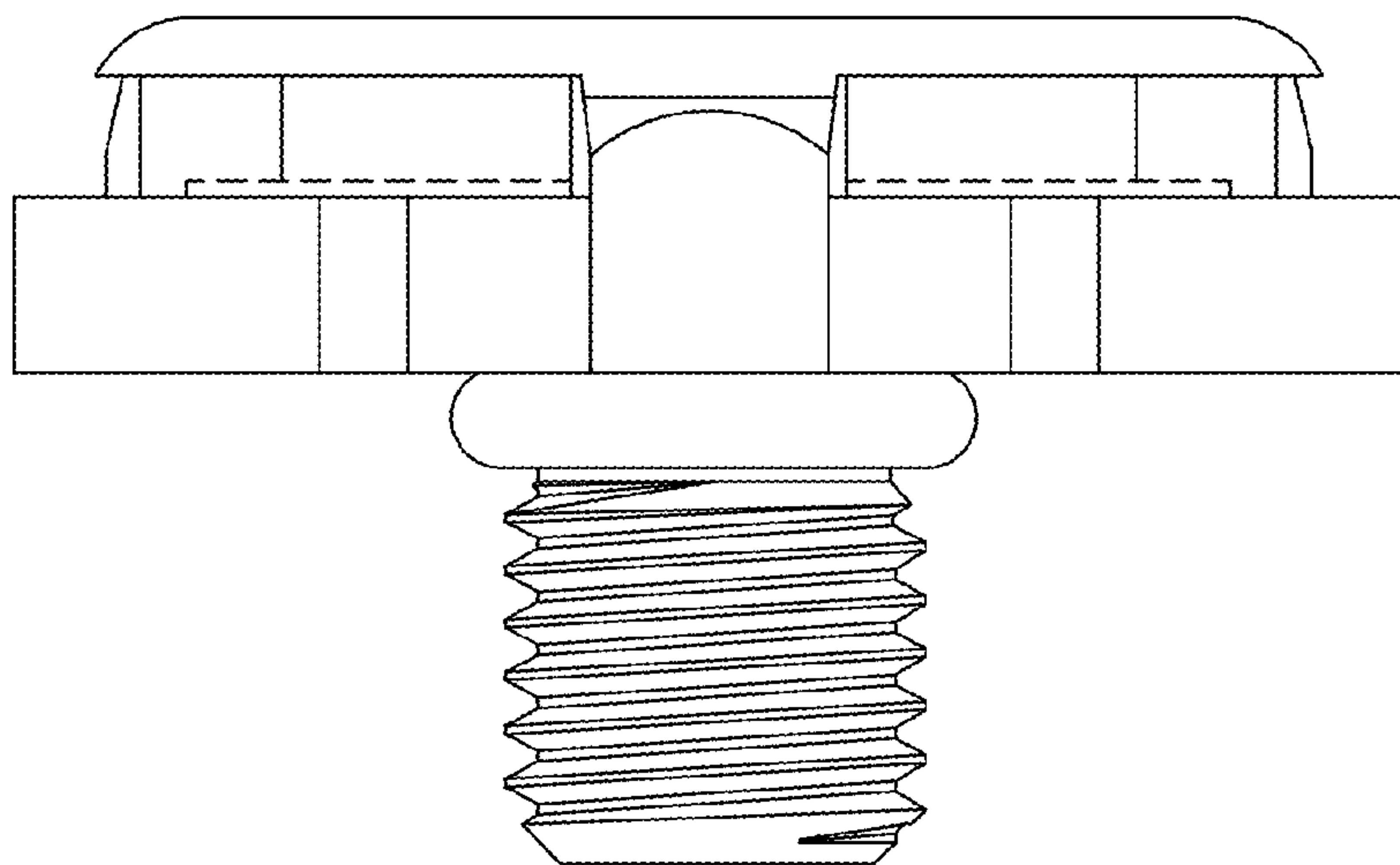


FIG. 26

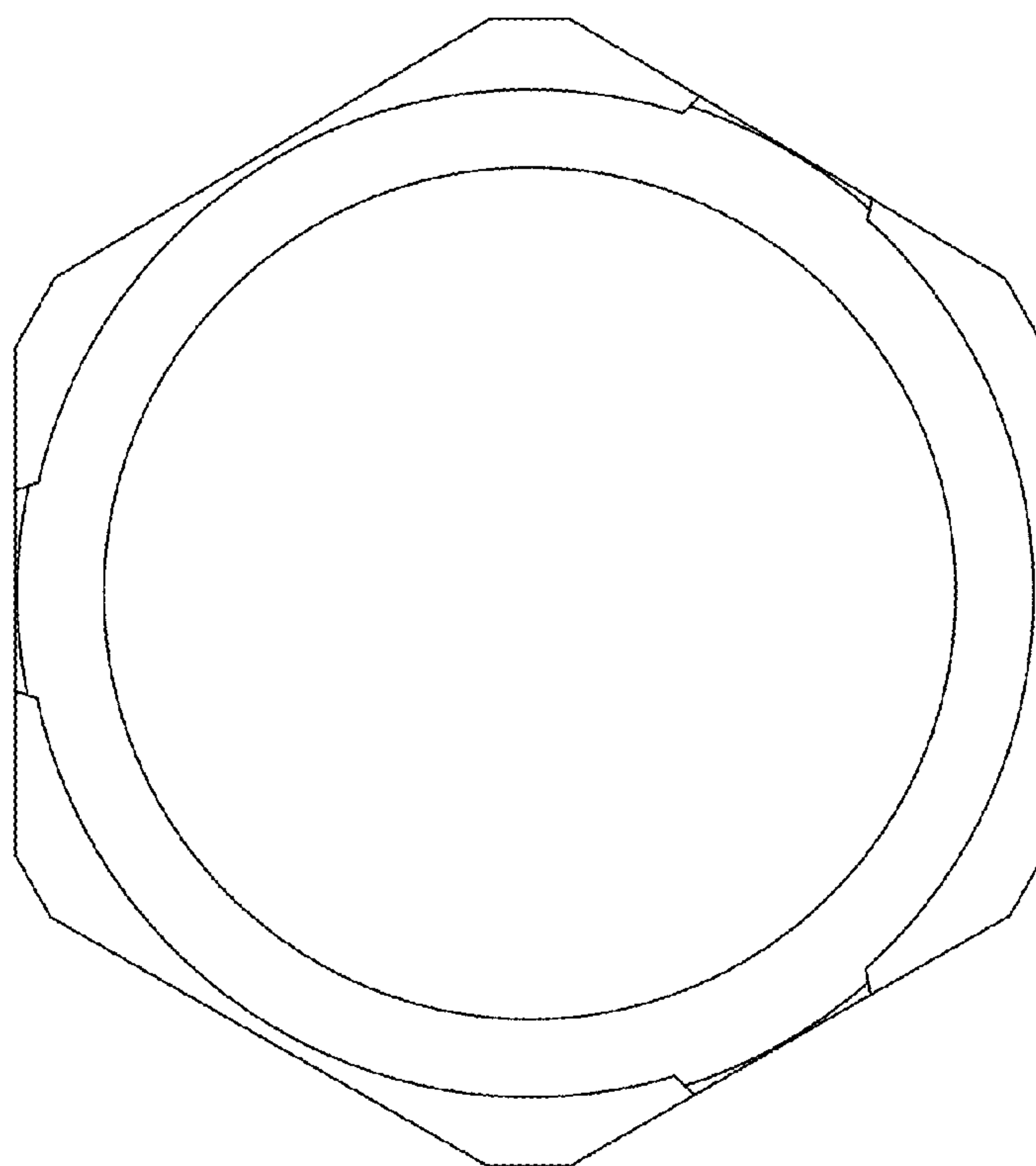


FIG. 27

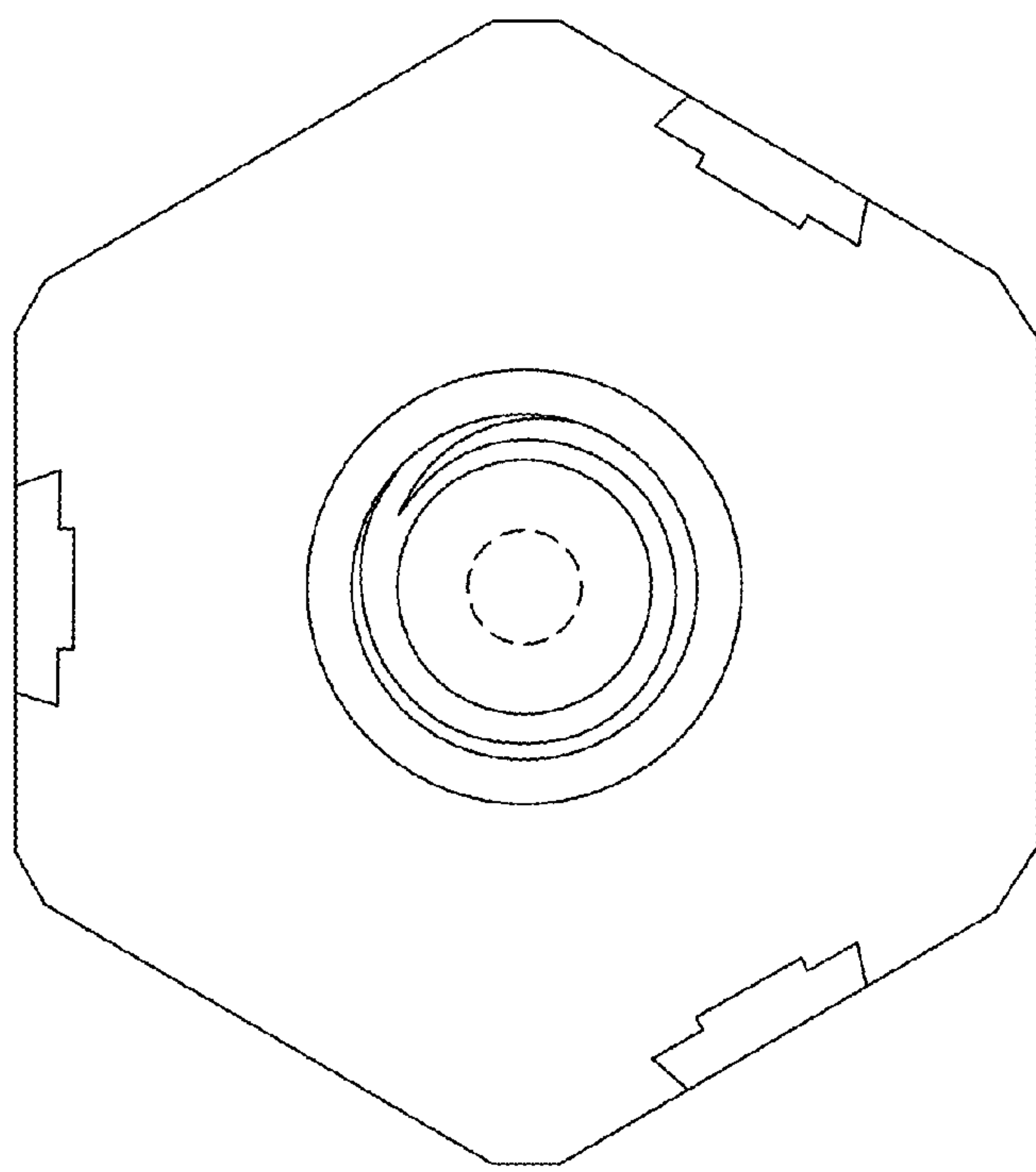


FIG. 28