



US00D748225S

(12) **United States Design Patent**
Holmes

(10) **Patent No.:** **US D748,225 S**

(45) **Date of Patent:** **** Jan. 26, 2016**

(54) **PLATFORM OF A SPRINKLER BASE**

(71) Applicant: **Katco Holdings Pty Ltd**, Valentine
(AU)

(72) Inventor: **Kathleen Patricia Holmes**, Wangi
Wangi (AU)

(73) Assignee: **Katco Holdings Pty Ltd** (AU)

(**) Term: **14 Years**

(21) Appl. No.: **29/502,909**

(22) Filed: **Sep. 20, 2014**

(51) **LOC (10) Cl.** **23-01**

(52) **U.S. Cl.**
USPC **D23/221**

(58) **Field of Classification Search**
USPC D23/214, 216, 221; 239/240, 242, 273,
239/275, 276
CPC B05B 3/04; B05B 3/021; B05B 3/023
See application file for complete search history.

(56) **References Cited**

U.S. PATENT DOCUMENTS

D263,868 S * 4/1982 Chow D23/221
D432,207 S * 10/2000 Hsin-Fa D23/214
D510,405 S * 10/2005 Sener D23/221
D510,406 S * 10/2005 Sener D23/221

D615,153 S * 5/2010 Cheng D23/214
D615,611 S * 5/2010 Cheng D23/214
D635,643 S * 4/2011 Hanna D23/221
D702,812 S * 4/2014 Morgan D23/221
D702,815 S * 4/2014 Vedantam D23/221

* cited by examiner

Primary Examiner — Robin V Webster

(74) *Attorney, Agent, or Firm* — Chernoff Vilhauer
McClung & Stenzel, LLP

(57) **CLAIM**

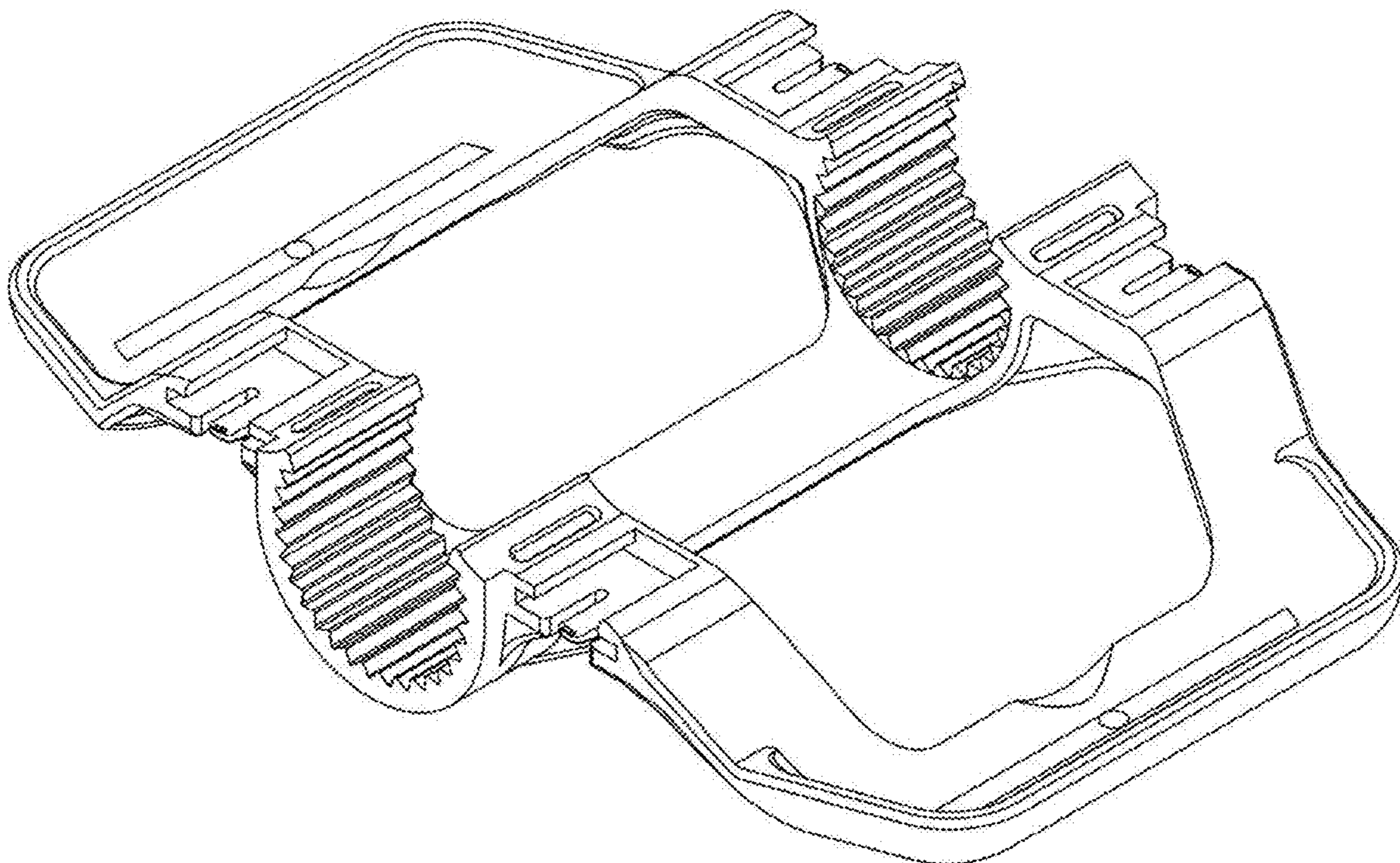
The ornamental design for a platform of a sprinkler base, as shown and described.

DESCRIPTION

FIG. 1 is a perspective view of a platform of a sprinkler base; FIG. 2 is a front view of the platform of the sprinkler base of FIG. 1; FIG. 3 is a right side view of the platform of the sprinkler base of FIG. 1; FIG. 4 is a top view of the platform of the sprinkler base of FIG. 1; and, FIG. 5 is a bottom view of the platform of the sprinkler base of FIG. 1.

The left side view of the platform of a sprinkler base is the same as the right side view and the rear view of the platform of the sprinkler base is the same as the front view.

1 Claim, 5 Drawing Sheets



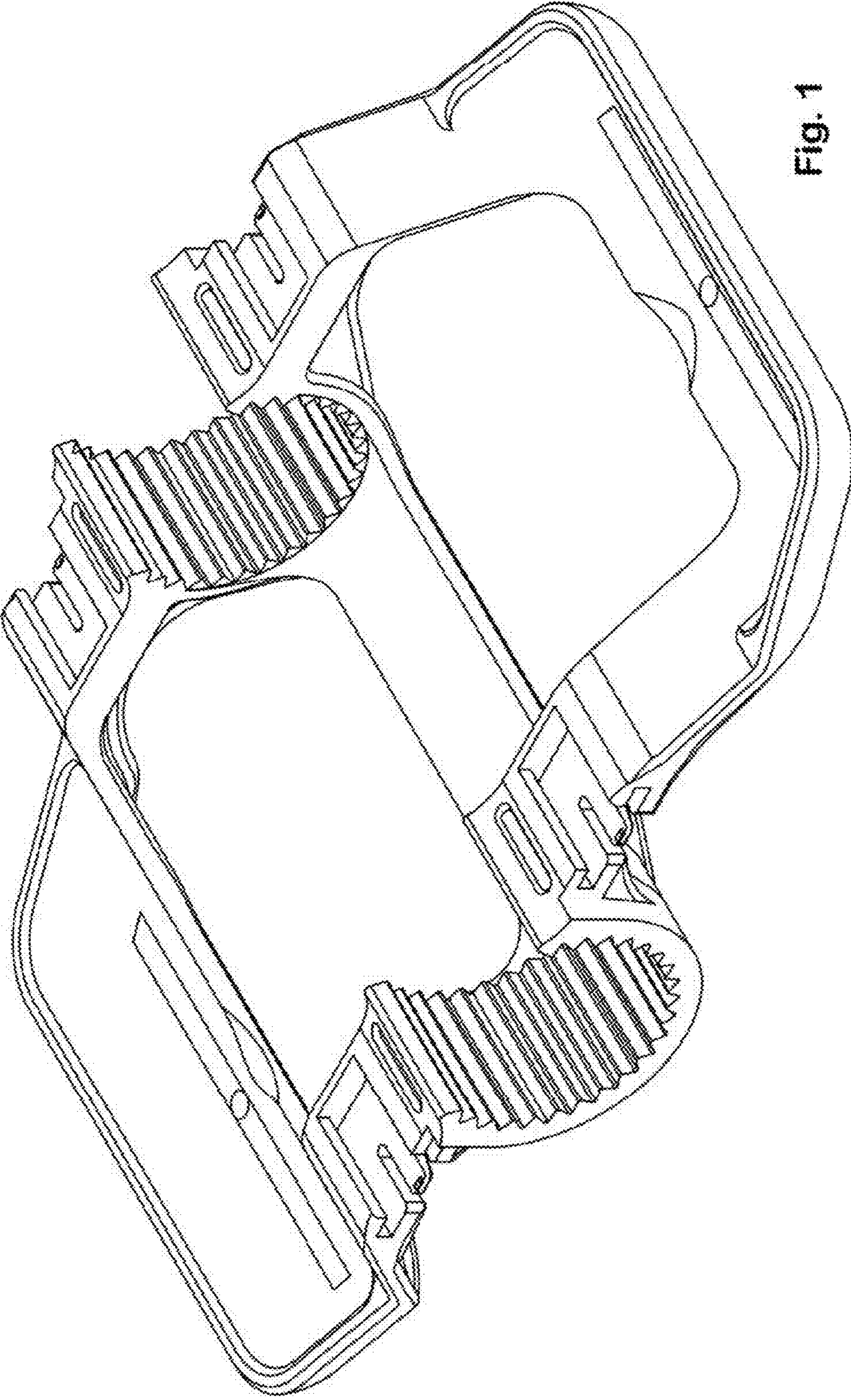


Fig. 1

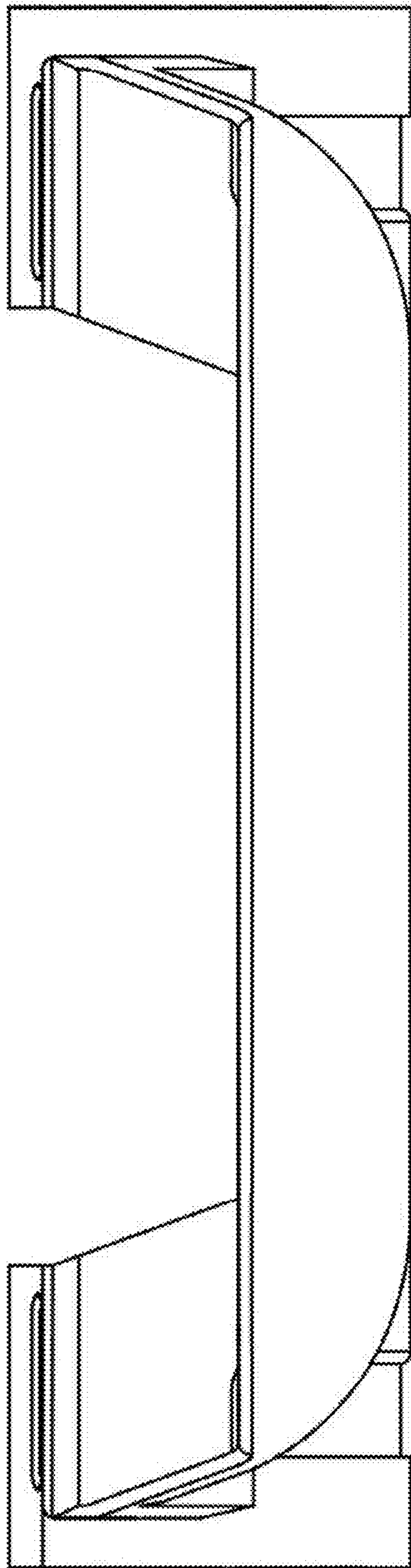


Fig. 2

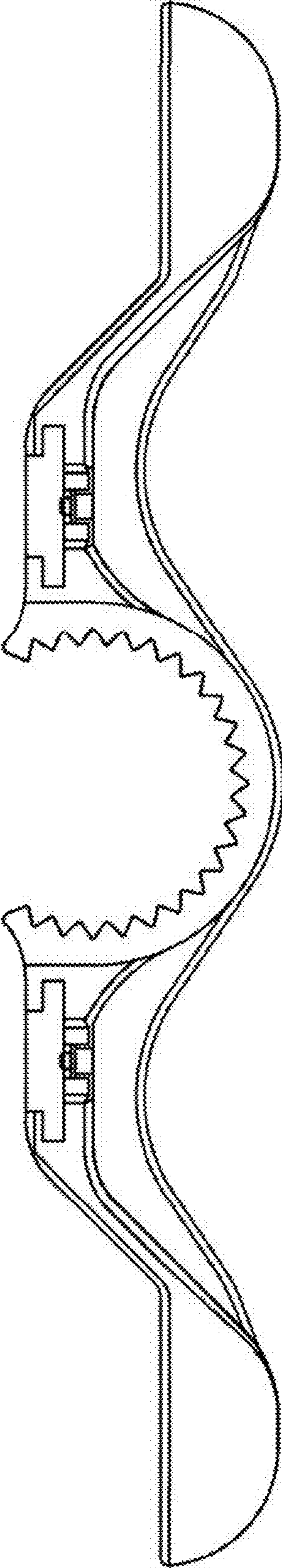


Fig. 3

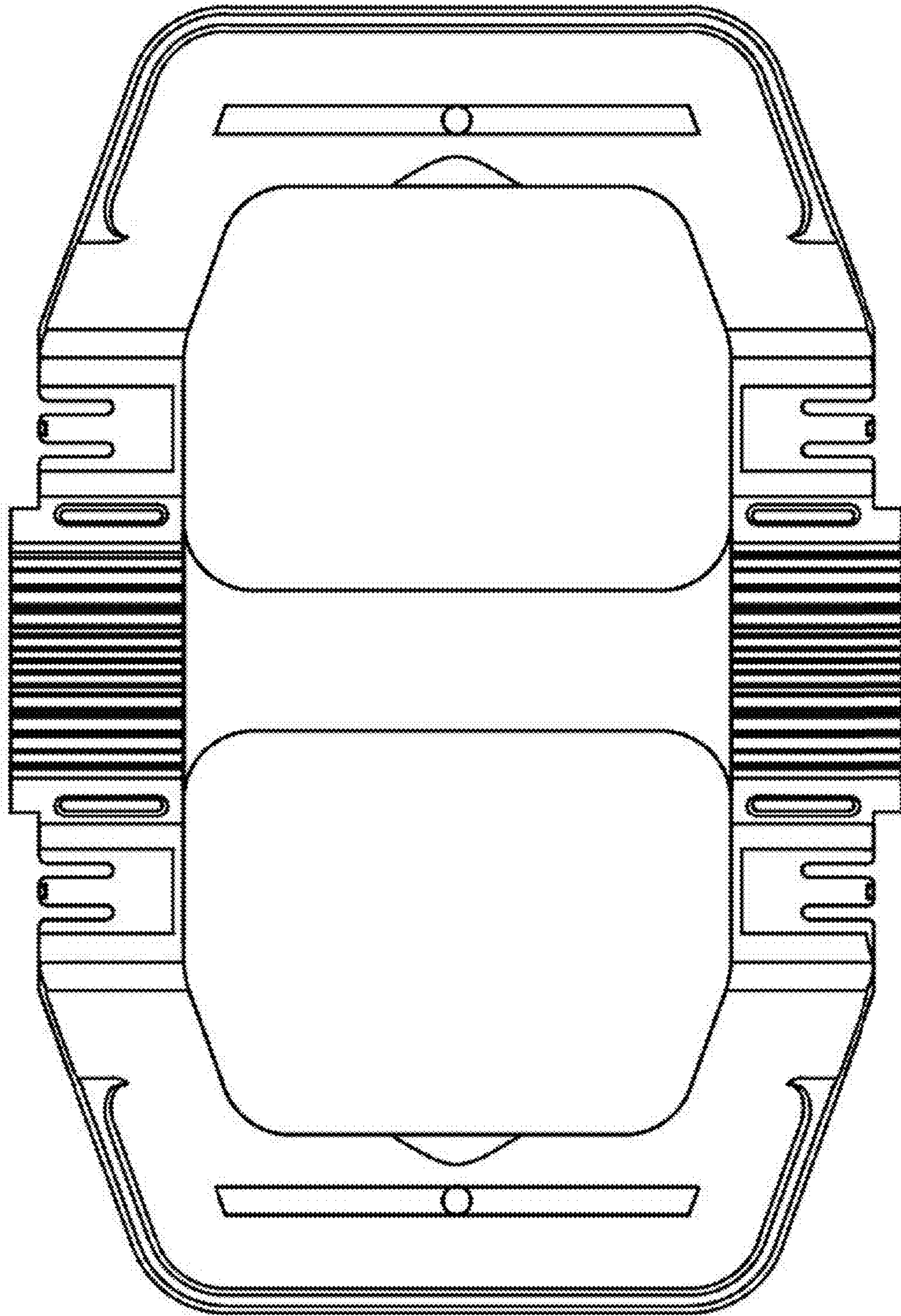


Fig. 4

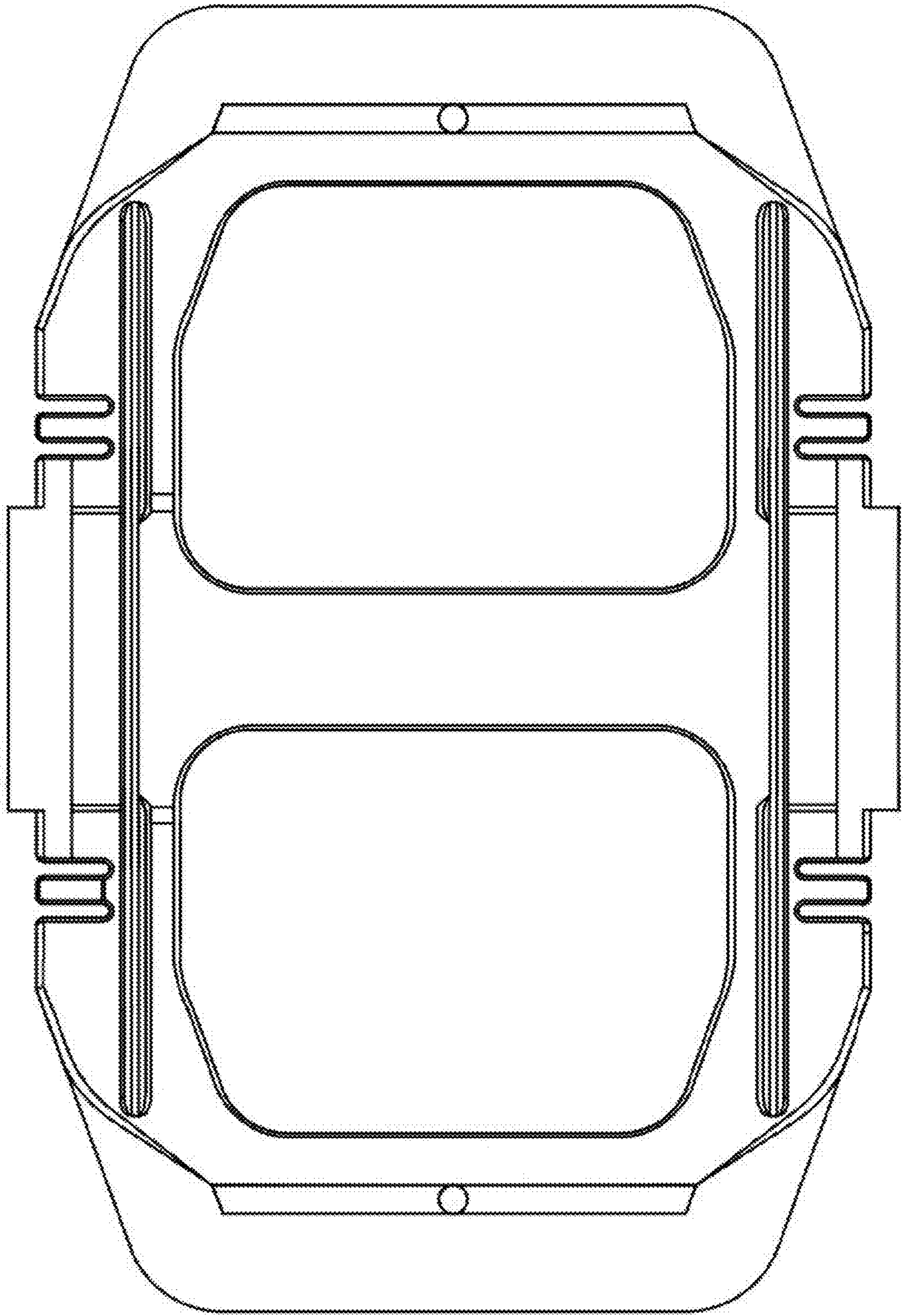


Fig. 5