



US00D748224S

(12) **United States Design Patent**  
**Holmes**

(10) **Patent No.:** **US D748,224 S**

(45) **Date of Patent:** **\*\* Jan. 26, 2016**

(54) **SPRINKLER HEAD**

(71) Applicant: **Katco Holdings Pty Ltd**, Valentine,  
New South Wales (AU)

(72) Inventor: **Tony Holmes**, Wangi Wangi (AU)

(73) Assignee: **Katco Holdings Pty Ltd** (AU)

(\*\*) Term: **14 Years**

(21) Appl. No.: **29/502,907**

(22) Filed: **Sep. 20, 2014**

(30) **Foreign Application Priority Data**

Mar. 25, 2014 (AU) ..... 11377/2014

(51) **LOC (10) Cl.** ..... **23-01**

(52) **U.S. Cl.**  
USPC ..... **D23/214**

(58) **Field of Classification Search**  
USPC ..... D23/213, 214; 169/37-39  
CPC ..... A62C 31/02; E03C 1/06  
See application file for complete search history.

(56) **References Cited**

**U.S. PATENT DOCUMENTS**

5,669,449 A \* 9/1997 Polan ..... A62C 37/08  
169/16  
D438,933 S \* 3/2001 Sundholm ..... D23/213  
6,276,460 B1 \* 8/2001 Pahila ..... B05B 1/265

6,976,543 B1 \* 12/2005 Fischer ..... A62C 37/11  
169/37  
D550,808 S \* 9/2007 Franson ..... D23/213  
D552,712 S \* 10/2007 Franson ..... D23/213  
7,540,330 B2 \* 6/2009 Orr ..... A62C 31/02  
169/37  
7,854,269 B2 \* 12/2010 Franson ..... A62C 37/08  
169/37  
8,662,190 B2 \* 3/2014 Watson ..... A62C 31/02  
169/37

\* cited by examiner

*Primary Examiner* — Robin V Webster

(74) *Attorney, Agent, or Firm* — Chernoff Vilhauer  
McClung & Stenzel, LLP

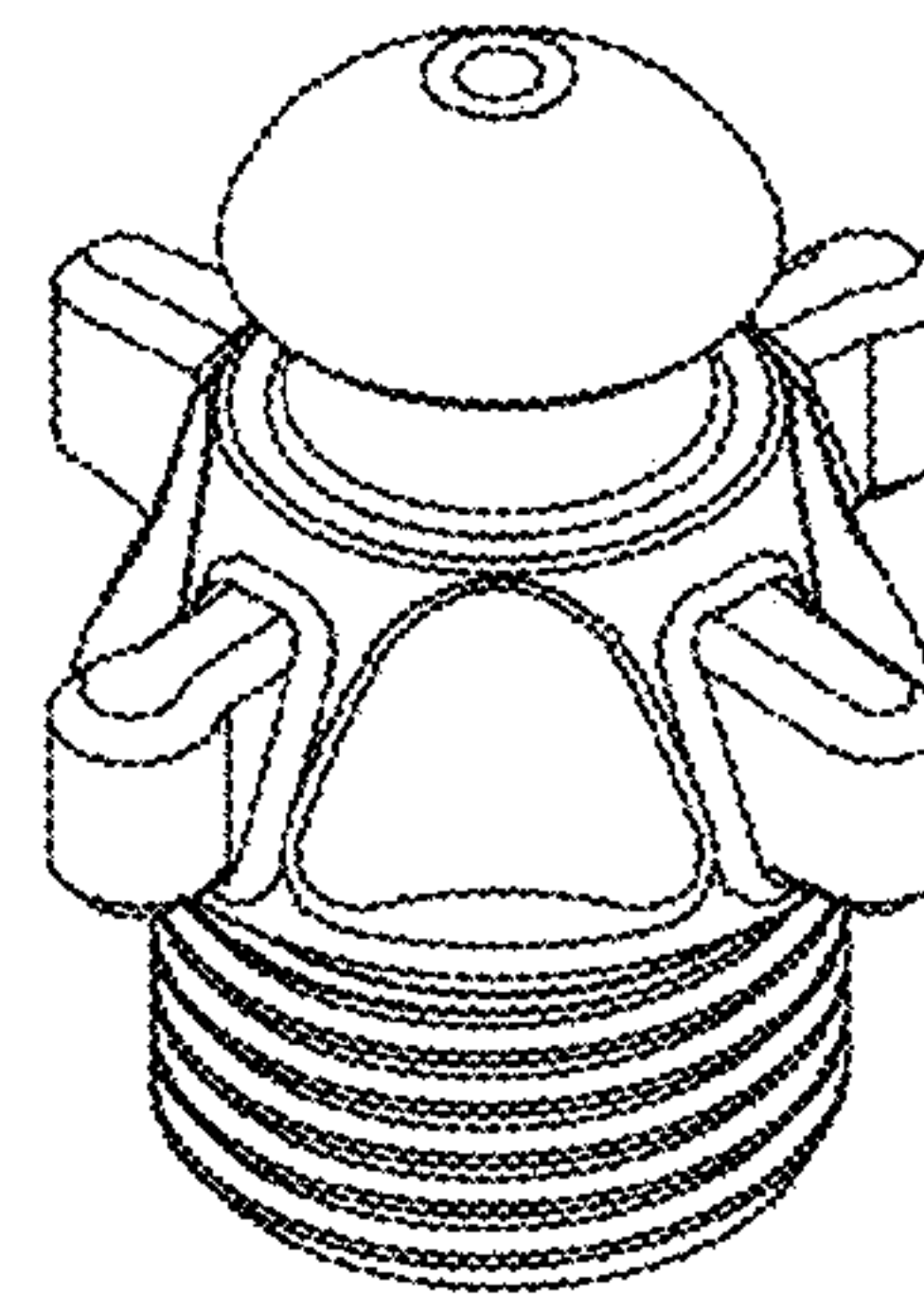
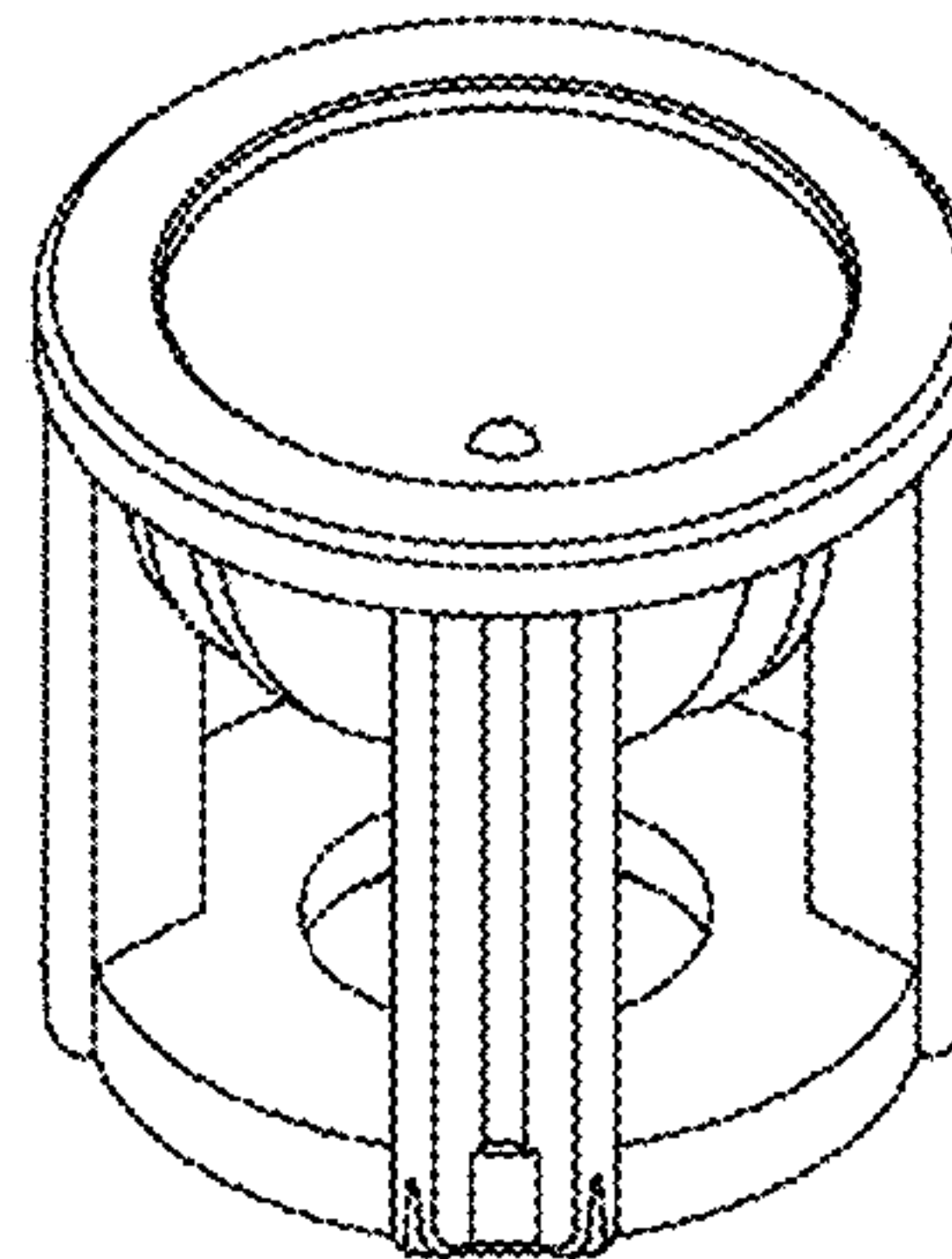
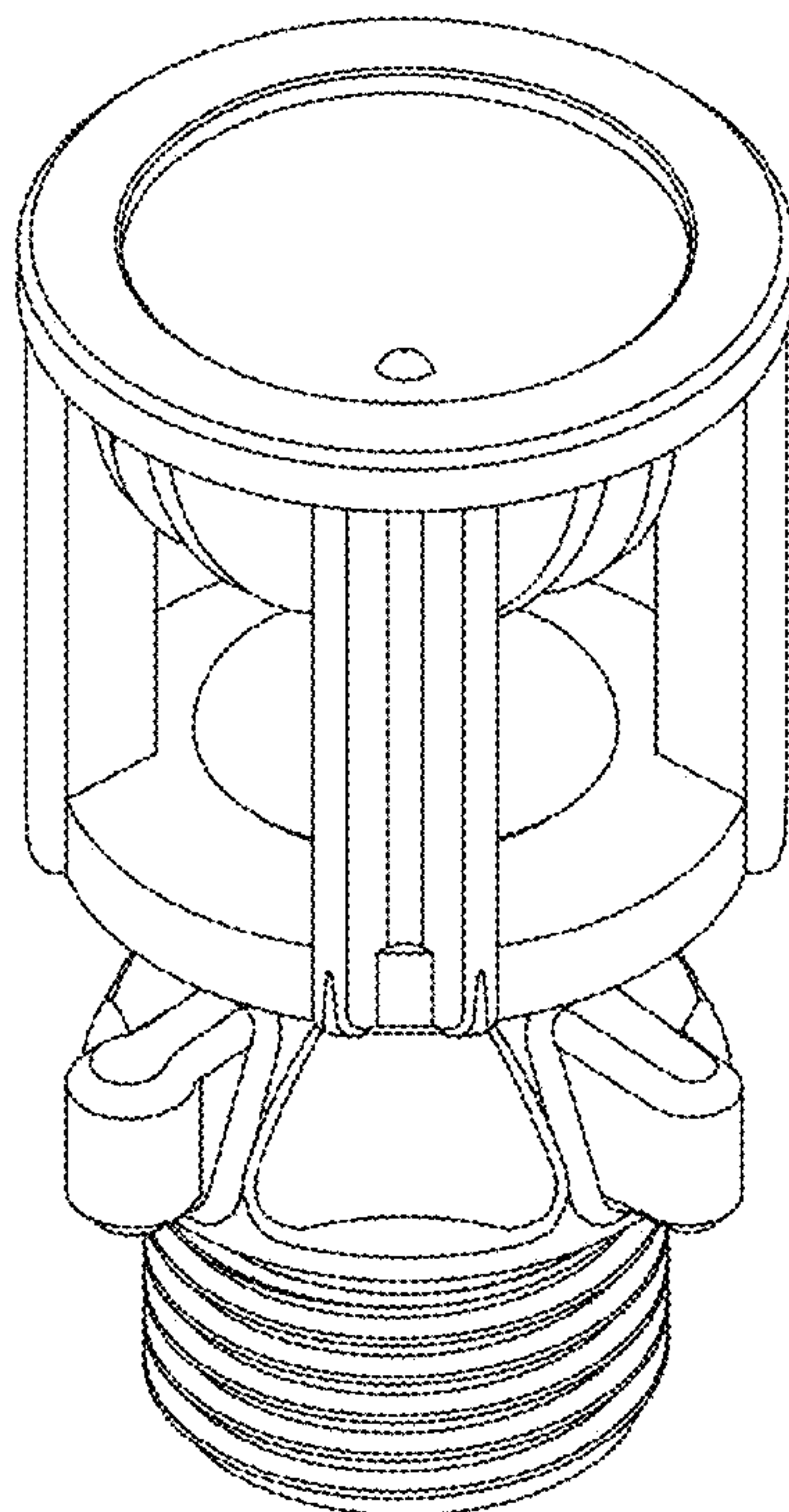
(57) **CLAIM**

The ornamental design for a sprinkler head, as shown and described.

**DESCRIPTION**

FIG. 1 is a perspective view of a sprinkler head;  
FIG. 2 is a front view of the sprinkler head of FIG. 1;  
FIG. 3 is a right side view of the sprinkler head of FIG. 1;  
FIG. 4 is a top view of the sprinkler head of FIG. 1;  
FIG. 5 is a bottom view of the sprinkler head of FIG. 1;  
FIG. 6 is an exploded perspective view of the sprinkler head of FIG. 1 showing a nozzle and deflector component; and,  
FIG. 7 is a top view of the nozzle component of FIG. 6.  
The left side view of the sprinkler head is the same as the right side view and the rear view of the sprinkler head is the same as the front view.

**1 Claim, 7 Drawing Sheets**



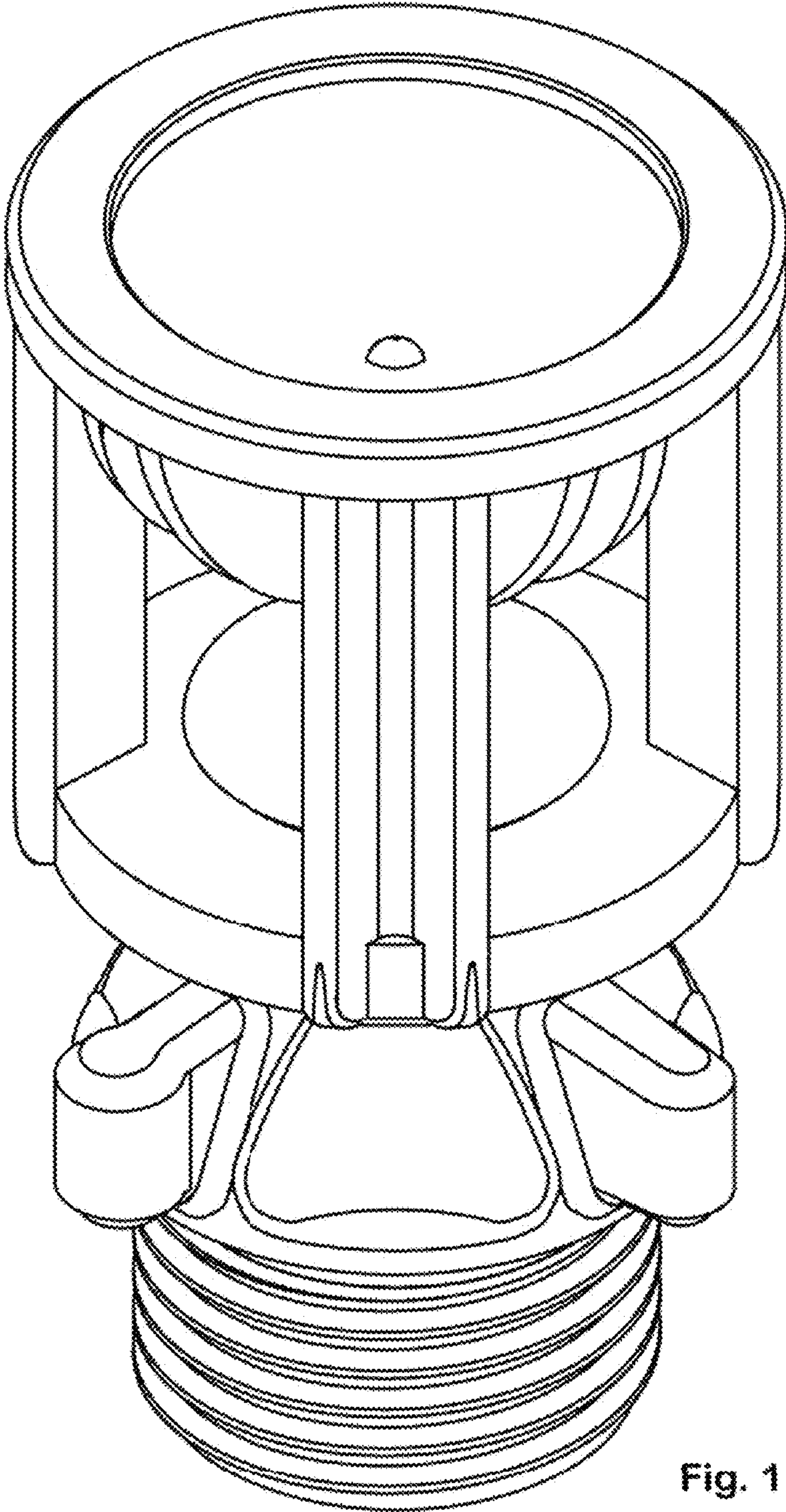


Fig. 1



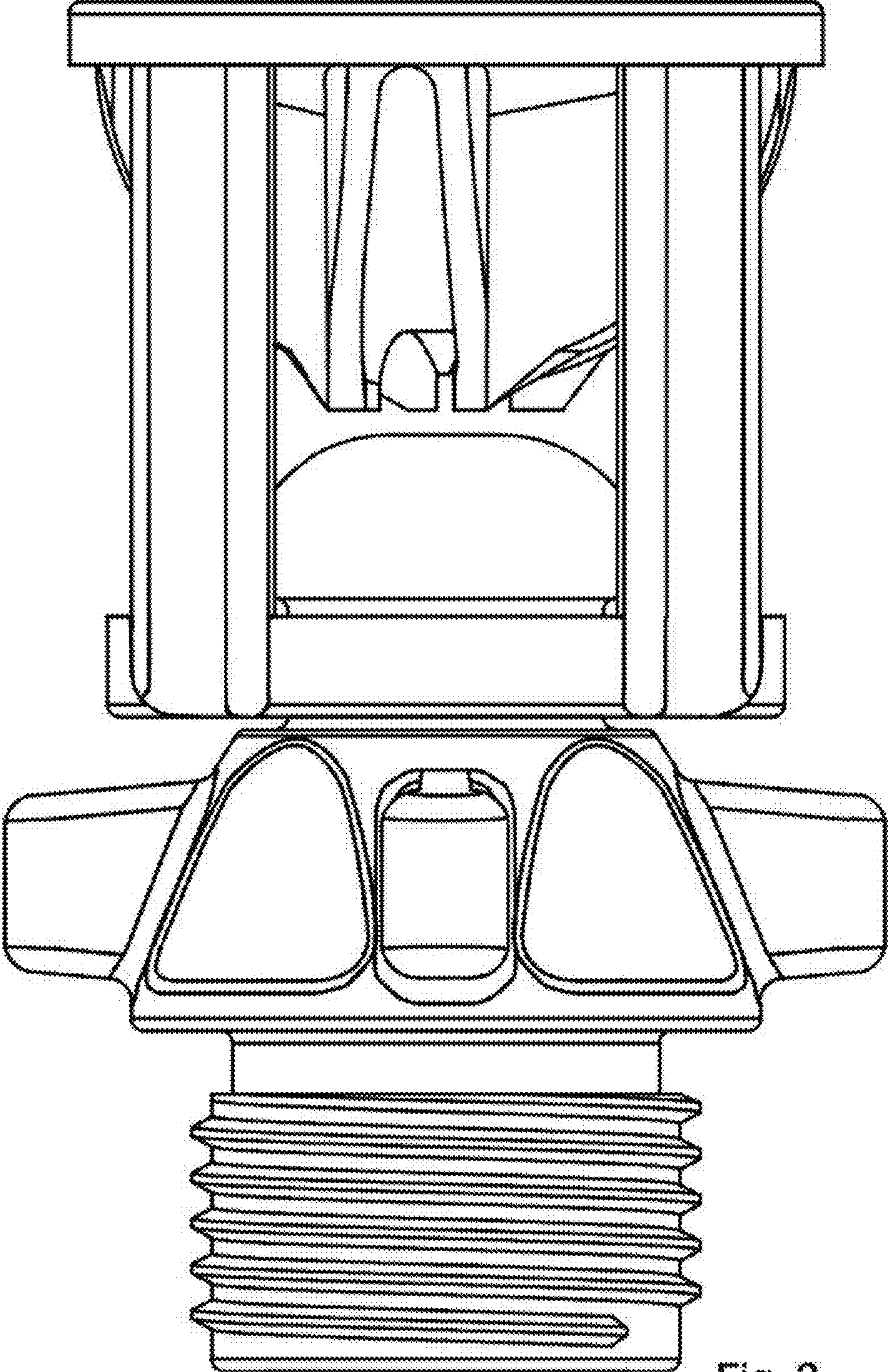


Fig. 2

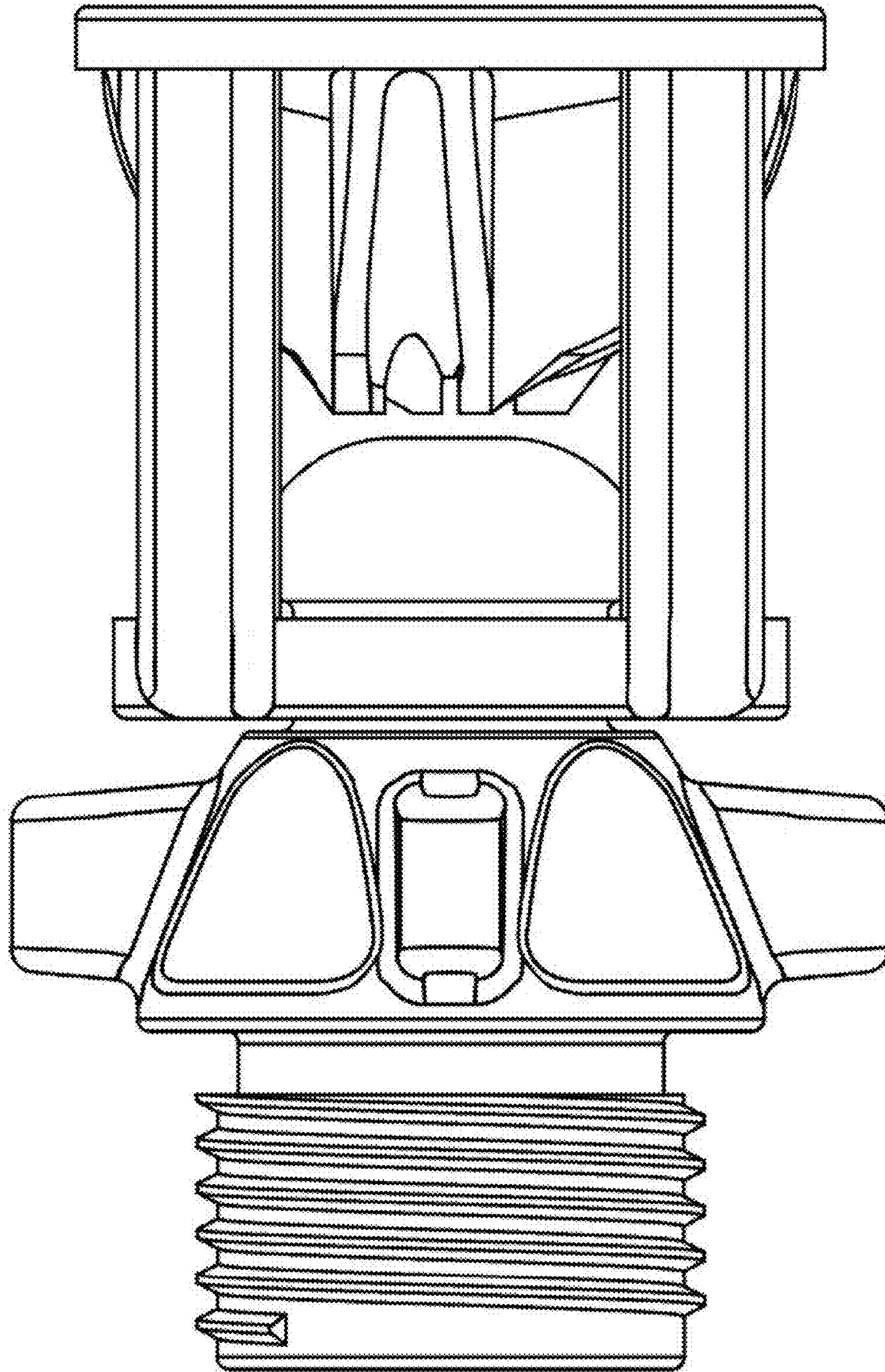


Fig. 3



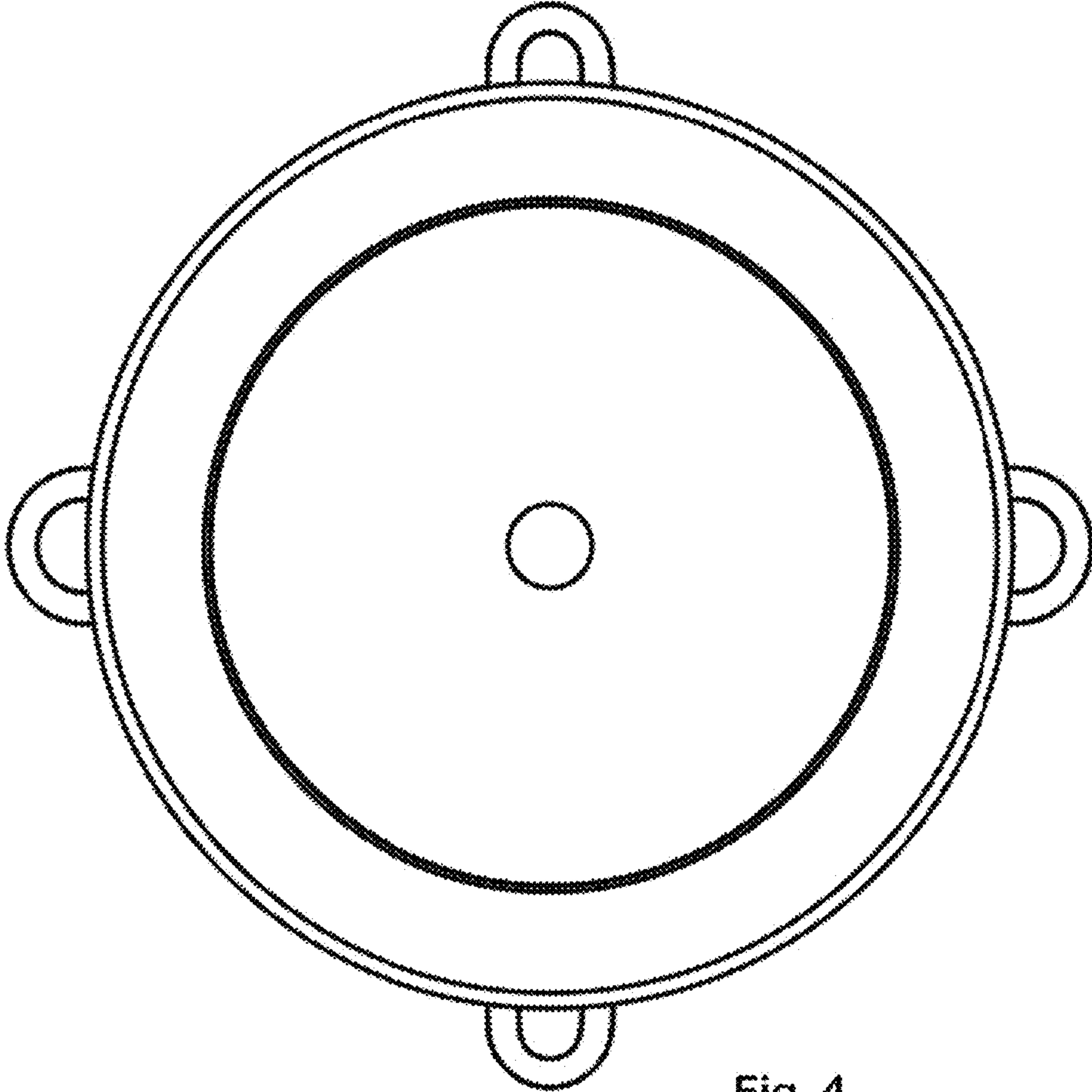


Fig. 4

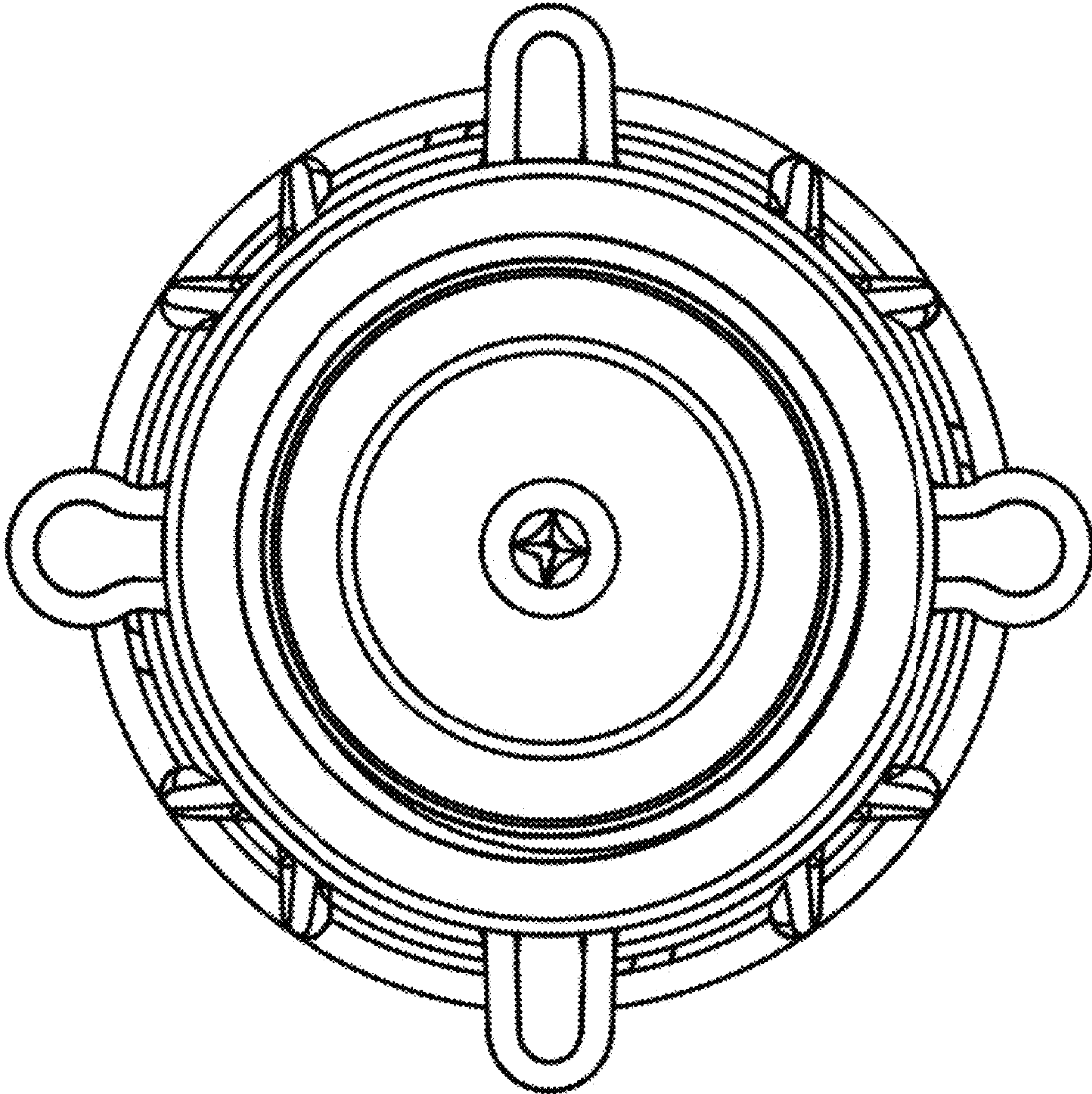


Fig. 5

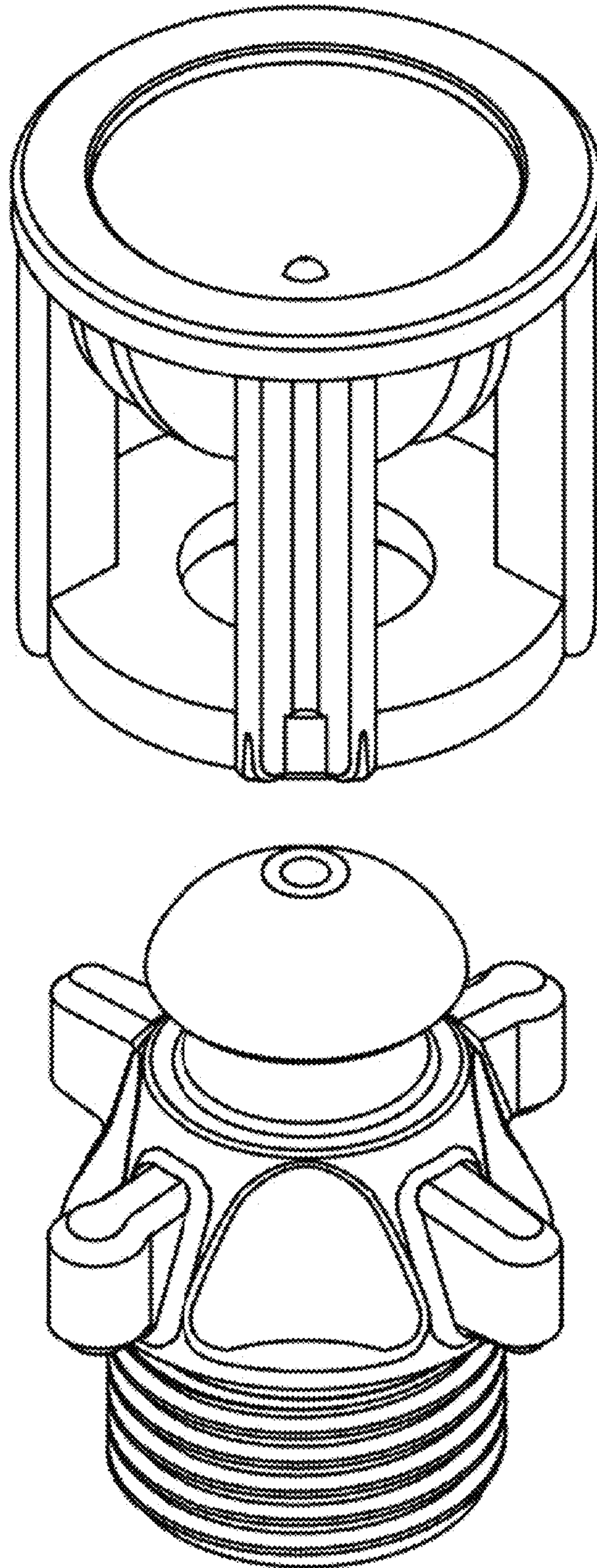


Fig. 6



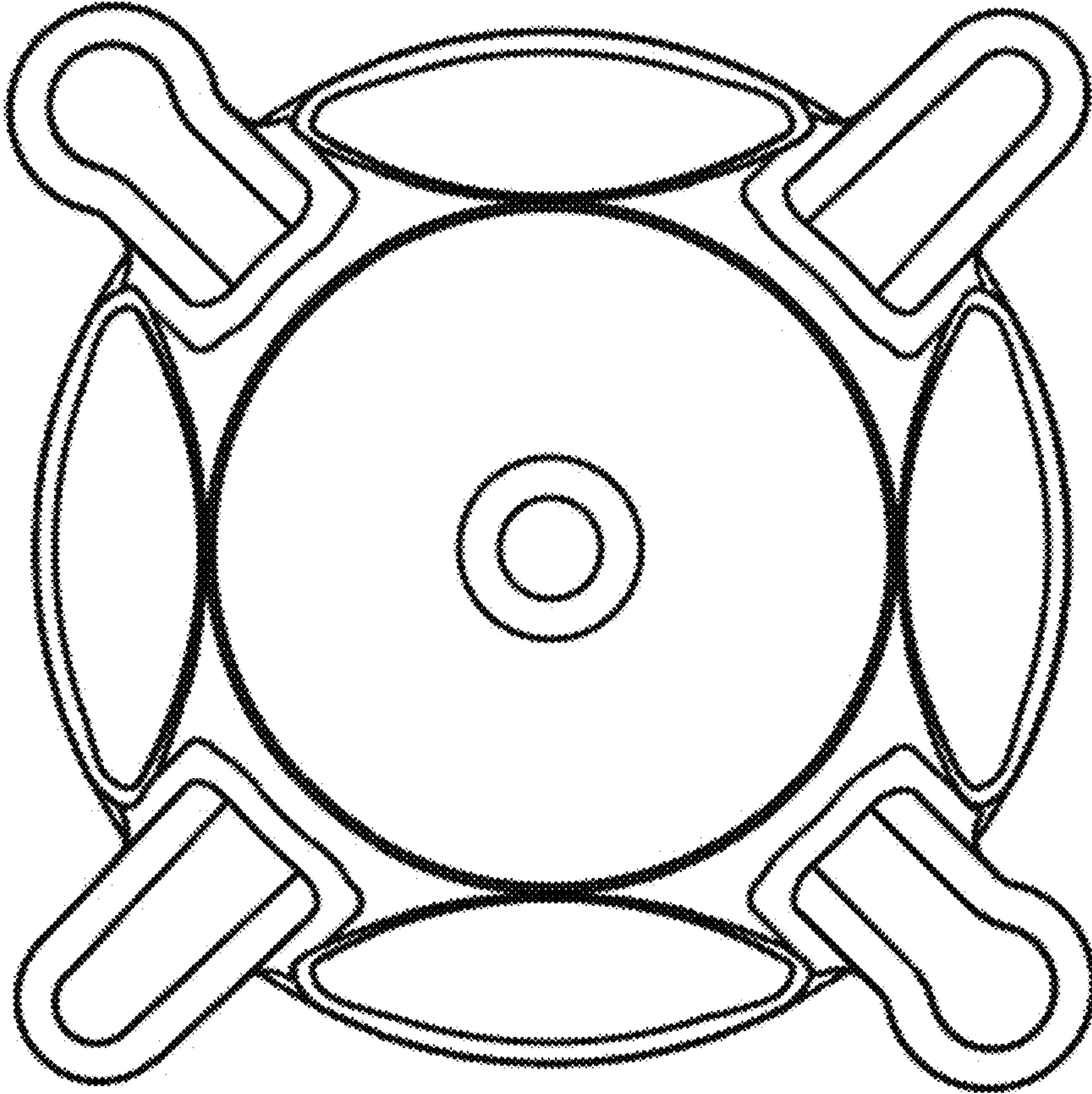


Fig. 7